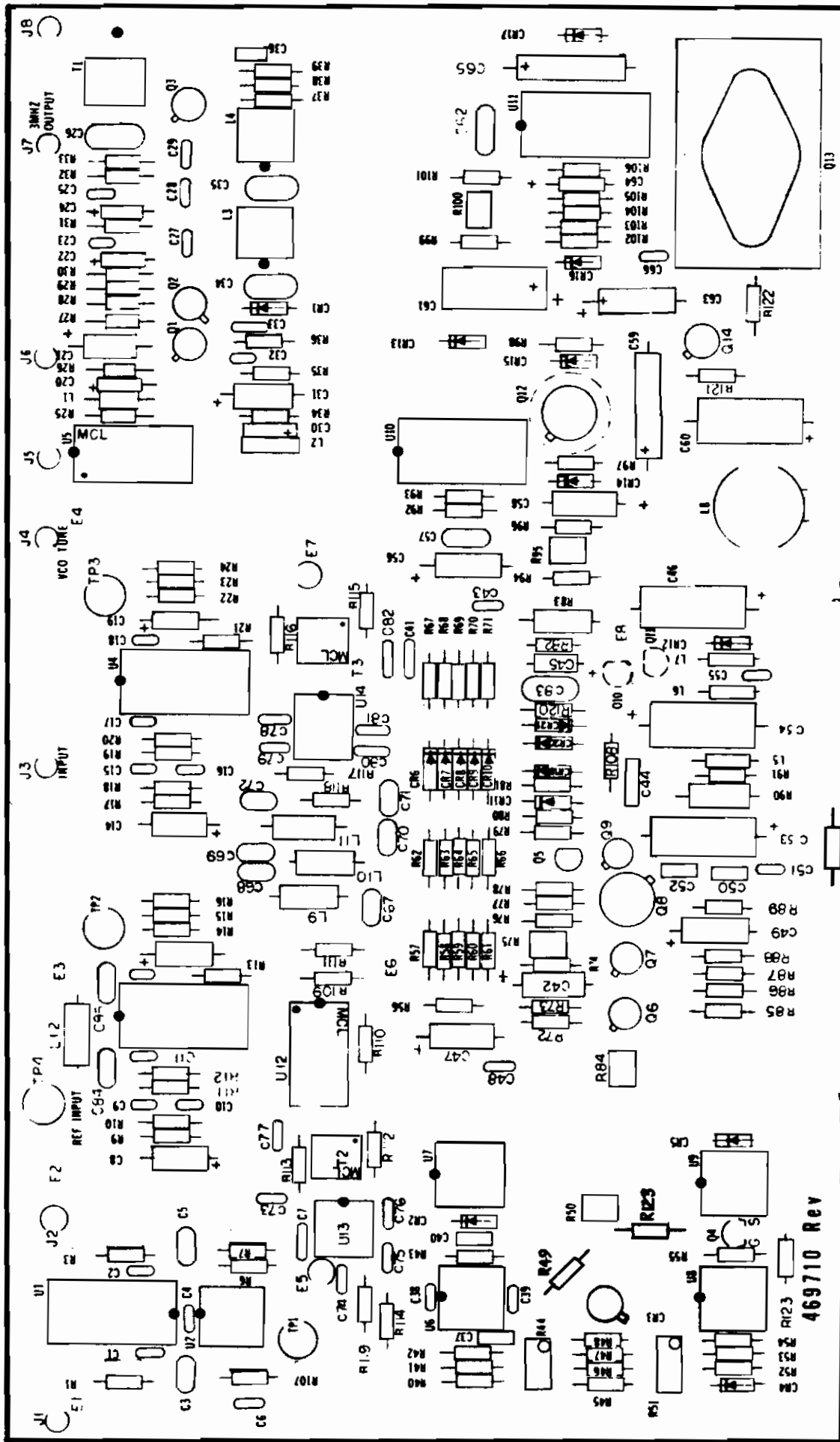


APPENDIX



A4 MICROWAVE OSCILLATOR-PLL CONTROL

469710 Rev

Assembly : 469710
Stock Number : 180247

ASSY, A4, MW OSC-PLL CONT

REV J1
05/01/86

Item	Qty	Stk Num	Part Number	Description	Reference Desig.	Mfr
1	6	163079	DM5FY301J	CAP, MICA, 300 PF	C68-71, 84, 85	F
2	1	163061	DM5EC270J	CAP, MICA, 27 PF	C28	ARC
3	1	163021	DM15-821J	CAP, MICA, 820 PF	C52	ARC
4	4	163066	DM5FC331J	CAP, MICA, 330 PF	C3, 5, 67, 72	ARC
5	2	163030	DM15-511J	CAP, MICA, 510 PF	C57, 62	ARC
6	3	163022	DM15-911J	CAP, MICA, 910 PF	C26, 34, 35	ARC
7	1	163019	DM15-102J	CAP, MICA, 1000 PF	C83	ARC
9	1	154053	CK05BX102K	CAP, CER, .001 UF	C50	AVX
10	1	154057	CK05BX152K	CAP, CER, 1500 PF	C40	AVX
11	21	154048	RPE122Z5U103M	CAP, CER, .01 UF, 100V	C1, 2, 4, 7, 9-12, 15-18, 23, 25, 27, 29, 32, 36, 38, 39, 55	ERI
12	4	154049	RPE122Z5U104M100V	CAP, CER, .1 UF, 100V	C33, 41, 74, 82	ERI
13	2	154074	CK06BX474K	CAP, CER, .47 UF	C37, 44	AVX
14	2	158009	CS13BF106K	CAP, TANT, 10 UF, 35V	C59, 65	E
15	8	158008	CS13BF105K	CAP, TANT, 1 UF, 35V	C20, 22, 24, 30, 45, 56, 63, 64	SPG
16	4	158003	CS13BE106K	CAP, TANT, 10 UF, 20V	C8, 13, 14, 19	SPG
17	6	158005	CS13BE156K	CAP, TANT, 15 UF, 20V	C21, 31, 42, 47, 49, 58	SPG
18	3	158004	CS13BE107K	CAP, TANT, 100 UF, 20V	C46, 60, 61	SPG
19	9	154045	RPE121Z5U104M100V	CAP, CER, .1 UF, 100V	C48, 73, 75-81	ERI
20	2	158011	CS13BH106K	CAP, TANT, 10 UF, 75V	C53, 54	SPG
21	12	172010	1N914	DIODE, SILICON, D035	CR1, 2, 4-10, 18, 20, 21	MOT
22	4	154044	RPE110Z5U103M100V	CAP, CER, .01 UF, 100V	C6, 43, 51, 66	ERI
23	2	172066	1N4002	DIODE, SILICON	CR13, 17	MOT
25	1	172072	1N753A	DIODE, ZENER, 6.2V, .4W, 5x	CR15	MOT
26	2	172092	UZ471B	DIODE, ZENER, 18V, 5W	CR14, 16	UNI

Assembly : 469710
Stock Number : 180247

ASSY, A4, MW OSC-PLL CONT

REV J1
05/01/86

Item	Qty	Stk Num	Part Number	Description	Reference Desig.	Mfr
27	1	172093	UZ4756	DIODE, ZENER, 56V, 5W	CR12	UNI
28	2	170600	MC1350P	I. C. , 1350	U13, 14	MOT
29	1	172059	1N270	DIODE, GERMANIUM	CR11	MOT
30	1	161023	SRA-1	MIXER, DOUBLE, BAL	U12	MCL
31	2	170685	UA723	I. C. , 723	U10, 11	FRS
32	2	170607	MC1741NCP1	I. C. , 741, PLAS, OP-AMP, 8 DIP	U8, 9	MOT
33	2	170596	MC10102P	I. C. , 10102, PLASTIC	U3, 4	MOT
34	1	170598	MC12040P	I. C. , 12040	U1	MOT
35	3	170586	LF355N	I. C. , 355, FET OP-AMP, PLAS, 8 DIP	U2, 6, 7	NSC
37	5	166015	WD-10	INDUCTOR, 10 UH	L1, 2, 5, 6, 7	NYT
40	2	134039	T13-1T	TRANSFORMER	T2, 3	MCL
41	1	153066	3262W-1-503K	RES, ADJ, 50K	R50	BRN
42	1	153063	3262W-1-103K	RES, ADJ, 10K, 100PPM	R75	BRN
43	2	153065	3262W-1-502K	RES, ADJ, 5K, 100 PPM	R95, 100	BRN
44	1	153062	3262W-1-102K	RES, ADJ, 1K, 100PPM	R84	BRN
45	1	153071	3299W-1-103K	RES, ADJ, 10K	R51	BRN
46	5	148002	RL07S103G	RES, M. FILM, 10K, 2%	R65, 76, 77, 99, 101	CGE
47	1	153077	3299W-1-503K	RES, ADJ, 50K	R44	BRN
48	2	148024	RL07S393G	RES, M. FILM, 39K, 2%	R56, 79	CGE
49	1	148008	RL07S152G	RES, M. FILM, 1.5K, 2%	R62	CGE
50	1	148027	RL07S472G	RES, M. FILM, 4.7K, 2%	R63	ALB
51	1	148036	RL07S822G	RES, M. FILM, 8.2K, 2%	R64	CGE
52	1	148034	RL07S683G	RES, M. FILM, 68K, 2%	R66	ALB
53	1	148016	RL07S222G	RES, M. FILM, 2.2K, 2%	R67	CGE
54	2	148021	RL07S302G	RES, M. FILM, 3.0K, 2%	R92, 93	ALB
55	1	148014	RL07S203G	RES, M. FILM, 20K, 2%	R94	CGE

Assembly : 469710
Stock Number : 180247

ASSY, A4, MW OSC-PLL CONT

REV J1
05/01/86

Item	Qty	Stk Num	Part Number	Description	Reference Desig.	Mfr
56	1	148031	RL07S622G	RES. M. FILM, 6. 2K, 2X	R96	(
57	1	150069	R25J270	RES. C. FILM, 270 HMS, 1/4W, 5X	R121	ROM
58	1	148023	RL07S392G	RES. M. FILM, 3. 9K, 2X	R72	CGE
59	1	148160	C415K2X	RES, MF, 15K, 1/4W2X, 100PPM, RL07	R53	CGE
60	2	151053	R50J10K	RES, C. FILM, 10K, 1/2W, 5X	R83, 90	ROM
61	1	150070	R25J430	RES, C. FILM, 430 HMS, 1/4W, 5X	R42	ROM
62	7	150053	R25J10	RES, C. FILM, 10 HMS, 1/4W, 5X	R38, 57-61, 91	ROM
64	2	150032	R25J15	RES, C. FILM, 15 HMS, 1/4W, 5X	R97, 125	ROM
65	2	150153	R25J8. 2	RES. C. FILM, 8. 2 HMS, 1/4W, 5X	R102, 103	ROM
66	2	150037	R25J1. 5K	RES, C. FILM, 1. 5K, 1/4W, 5X	R33, 89	ROM
67	2	150147	R25J510	RES, C. FILM, 510 HMS, 1/4W, 5X	R9, 17	ROM
68	2	150038	R25J1. 8K	RES, C. FILM, 1. 8K, 1/4W, 5X	R10, 18	ROM
69	3	150004	R25J1K	RES. C. FILM, 1K, 1/4W, 5X	R19, 39, 82	ROM
71	3	150007	R25J10K	RES, C. FILM, 10K, 1/4W, 5X	R49, 80, 125	K
73	10	150026	R25J560	RES, C. FILM, 560 HMS, 1/4W, 5X	R1, 3, 12, 13, 15, 16, 20, 21, 23, 24	ROM
74	4	150022	R25J100	RES, C. FILM, 100 HMS, 1/4W, 5X	R78, 85, 112, 115	ROM
75	2	150067	R25J2. 4K	RES. C. FILM, 2. 4K, 1/4W, 5X	R14, 22	ROM
76	2	150092	R25J68	RES, C. FILM, 68 HMS, 1/4W, 5X	R110, 111	ROM
77	6	150107	R25J200	RES. C. FILM, 200 HMS, 1/4W, 5X	R68-71, 113, 116	ROM
78	3	150094	R25J5. 1K	RES, C. FILM, 5. 1K, 1/4W, 5X	R32, 114, 118	ROM
79	4	150006	R25J4. 7K	RES. C. FILM, 4. 7K, 1/4W, 5X	R106, 120, 126, 127	ROM
80	1	150128	R25J130	RES, C. FILM, 130 HMS, 1/4W, 5X	R109	ROM
81	2	150060	R25J2K	RES. C. FILM, 2K, 1/4W, 5X	R74, 98	ROM
82	8	150081	R25J51	RES, C. FILM, 51 HMS, 1/4W, 5X	R26, 29, 31, 34, 73, 86, 117, 119	ROM
84	2	150116	R25J56	RES, C. FILM, 56 HMS, 1/4W, 5X	R11, 25	ROM

Assembly : 469710
Stock Number : 180247

ASSY, A4, MW OSC-PLL CONT

REV J1
05/01/86

Item	Qty	Stk Num	Part Number	Description	Reference Desig.	Mfr
85	1	150137	R25J300	RES. C. FILM, 300 HMS, 1/4W, 5%	R88	ROM
86	1	150072	R25J3.9K	RES, C. FILM, 3.9K, 1/4W, 5%	R87	ROM
87	3	150136	R25J3K	RES. C. FILM, 3K, 1/4W, 5%	R27, 35, 37	ROM
88	1	148168	C433K2X	RES, MF, 33K, 1/4W2X, 100PPM, RL07	R55	CGE
89	1	150036	R25J1.2K	RES, C. FILM, 1.2K, 1/4W, 5%	R43	ROM
90	1	148179	C491K2X	RES, MF, 91K, 1/4W2X, 100PPM, RL07	R52	CGE
91	2	148161	C416K2X	RES, MF, 16K, 1/4W2X, 100PPM, RL07	R45, 48	CGE
92	1	148180	C4100K2X	RES, MF, 100K, 1/4W2X, 100PPM, RL07	R41	CGE
93	2	150040	R25J3.3K	RES, C. FILM, 3.3K, 1/4W, 5%	R36, 105	ROM
94	2	150005	R25J2.7K	RES, C. FILM, 2.7K, 1/4W, 5%	R28, 122	ROM
95	1	150001	R25J2.2K	RES, C. FILM, 2.2K, 1/4W, 5%	R30	ROM
96	1	150003	R25J470	RES, C. FILM, 470 HMS, 1/4W, 5%	R104	ROM
97	2	148197	CT4510K2X	RES, MF, 510K, 1/4W2X, 100PPM, RL07	R6, 107	CGE
98	1	150106	R25J200K	RES, C. FILM, 200K, 1/4W, 5%	R123	ROM
99	1	171109	J505	TRANSIS, CURRENT, SOURCE	Q5	SNX
100	1	172096	ICL8069CCG	DIODE, ZENER, TC, 1.2V, 10 MW	CR3	ITS
101	1	171118	TN3019	TRANSIS, NPN, SILICON, HIGH POWER	Q11	NSC
102	1	171114	TN4033	TRANSIS	Q10	NSC
103	4	171076	2N2907A	TRANSIS, PNP	Q6, 9, 14, 15	MOT
104	3	171072	2N2222A	TRANSIS, NPN	Q1, 7, 16	MOT
105	1	171075	2N2905	TRANSIS, PNP	Q12	MOT
106	1	171084	2N4910	TRANSIS, NPN	Q13	ASI
107	2	171087	2N5179	TRANSIS, NPN	Q2, 3	MOT
108	1	171110	J-105	TRANSIS	Q4	SNX
109	1	171077	2N2920	TRANSIS, NPN, DUAL	Q8	MOT
113	4	120242	MS35338-135	WASHER, SPLITLOCK, #4		HPR

Assembly : 469710
Stock Number : 180247

ASSY, A4, MW OSC-PLL CONT

REV J1
05/01/86

Item	Qty	Stk Num	Part Number	Description	Reference Desig.	Mfr
114	4	120164	MS51957-13	SCREW, PNHD, 4-40X1/4		F
116	2	141223	514-AG-10D	SOCKET, 14 PIN, I.C.	U10, 11	AUG
117	4	121054	B1591-B-11	MOUNT, BLOCK		USE
121	1	127004	469404	HEATSINK		DSI
122	1	127001	207-CB	HEATSINK	Q12	WAK
123	1	142025	43-66-2	INSULATOR, MICA		KEY
125	1	147219	469700	P. C. , CARD, A4	A4	DSI
127	2	120166	MS51957-15	SCREW, PNHD, 4-40X3/8		HPR
129	2	120259	NA5671C4	NUT, 4/40		HPR
130	7	141213	508-AG-10D	SOCKET, 8 PIN, IC	U2, 6-9, 13, 14	AUG
131	2	142022	334, .375	LUG, GND, 3/8, ID		ZIE
132	2	141225	516-AG-10D	SOCKET, 16 PIN, I.C.	U3, 4	AUG
133	4	120255	NA5620C4	WASHER, FLAT, #4		HPR
135	3	166007	RFC-S-1.0	INDUCTOR, 1 UH	L9-11	N
136	3	125162	UT. 034TP	CABLE, COAX, .035DIA		CAS
137	3	125168	#18, 1500-18ST	SLEEVING, TEFLON		ALC
138	1	111021	51135-0360G	ADHESIVE		MMM
139	2	125169	#9, 1500-9T	SLEEVING, TEFLON, .070 LG		ALC
140	1	111022	WAKEFIELD 120	HEATSINK COMPOUND		WAK
141	1	166008	RFC-S-1.5	INDUCTOR, 1.5 UH	L12	NYT
142	1	150058	R25J51K	RES, C. FILM, 51K, 1/4W, 5%	R124	ROM
143	1	150098	R25J620K	RES, C. FILM, 620K, 1/4W, 5%	R7	ROM
144	1	130280	469400-1	SHIELD, R. F.		DSI
145	1	130281	469400-2	SHIELD, R. F.		DSI
146	4	142027	450-7004-01-03-00	JACK	TP1-4	CAM
147	1	148123	C4430R2X	RES, MF, 430, 1/4W2X, 100PPM, RL07	R42	CGE

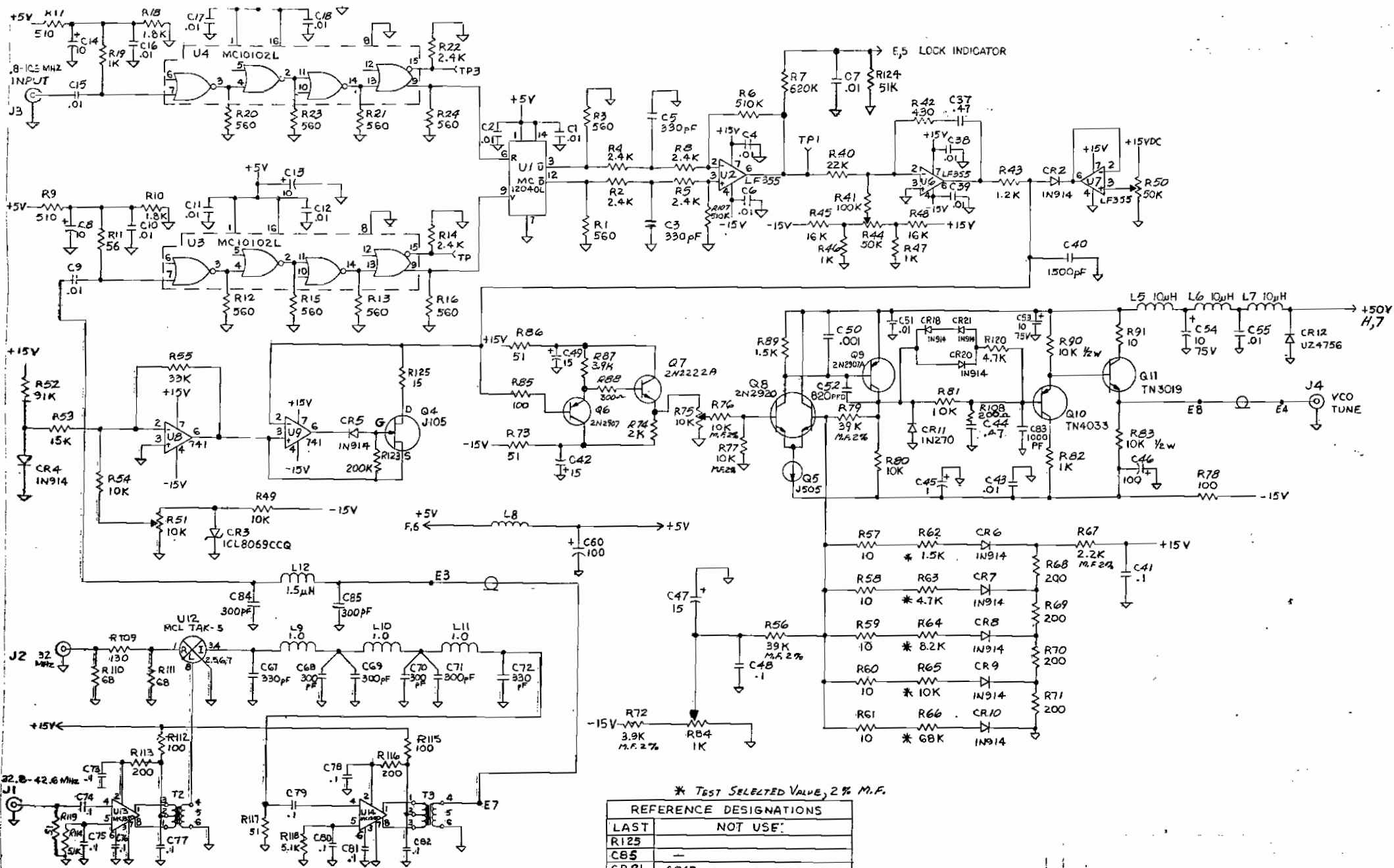
Assembly : 469710
Stock Number : 180247

ASSY, A4, MW OSC-PLL CONT

REV J1
05/01/86

Item	Qty	Stk Num	Part Number	Description	Reference Desig.	Mfr
148	2	148132	C41K2X	RES, MF, 1K, 1/4W2X, 100PPM, RL07	R46, 47	CGE
149	2	148156	C410K2X	RES, MF, 10K, 1/4W2X, 100PPM, RL07	R54, 81	CGE
150	1	148164	C422K2X	RES, MF, 22K, 1/4W2X, 100PPM, RL07	R40	CGE
151	4	148141	C42.4K2X	RES, MF, 2.4K, 1/4W2X, 100PPM, RL07	R2, 4, 5, 8	CGE
152	1	134089	472113D	ASSY, INDUCTOR/TRANSFORMER, TAB	L8 (USE 472113-5)	DSI
153	1	134082	472101-1	ASSY, INDUCTOR/TRANSFORMER, TAB	T1 (USE 472101-1)	DSI
154	2	134083	472101-2, 3	ASSY, INDUCTOR/TRANSFORMER, TAB	L3 (USE 472101-2) L4 (USE 472101-3)	DSI
155	1	148115	C4200R2X	RES, MF, 200, 1/4W2X, 100PPM, RL07	R108	CGE
156	1	179138	469479	ASSY, MOUNTING PLATES, A4		DSI
157	2	150071	R25J91	RES, C. FILM, 91 HMS, 1/4W, 5%	R128, 129	RDM
158	1	150117	R25J75	RES, C. FILM, 75 HMS, 1/4W, 5%	R130	RDM

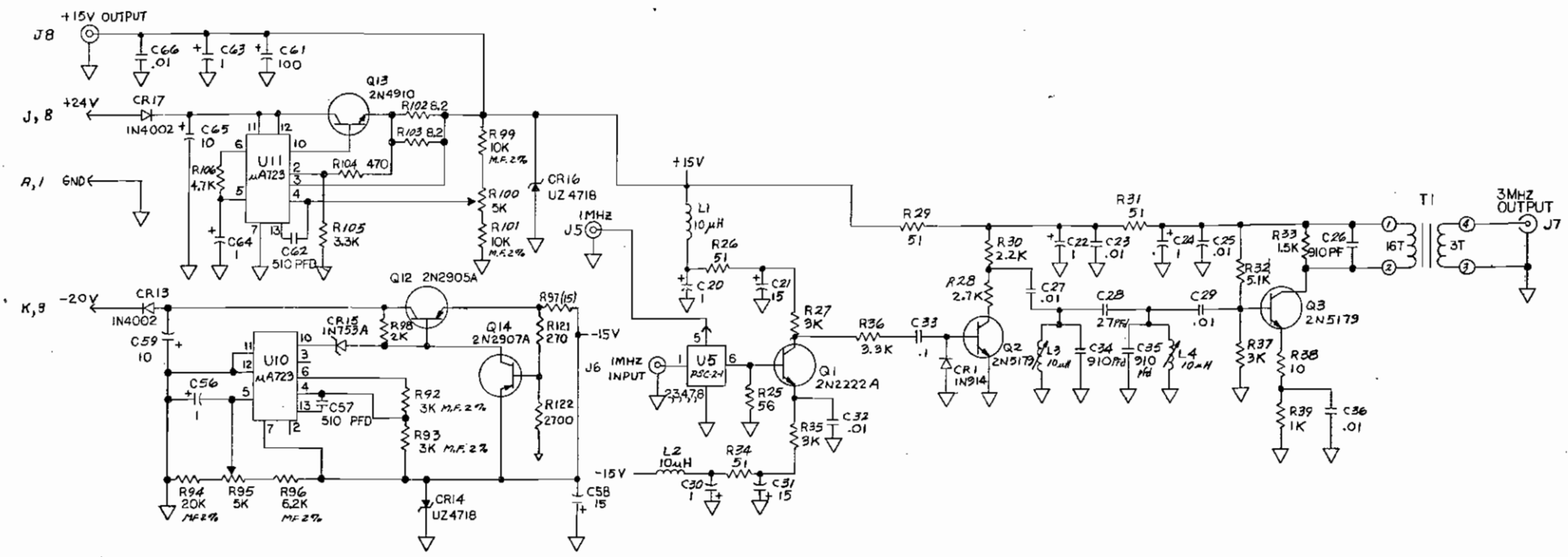
(THIS PAGE INTENTIONALLY LEFT BLANK)



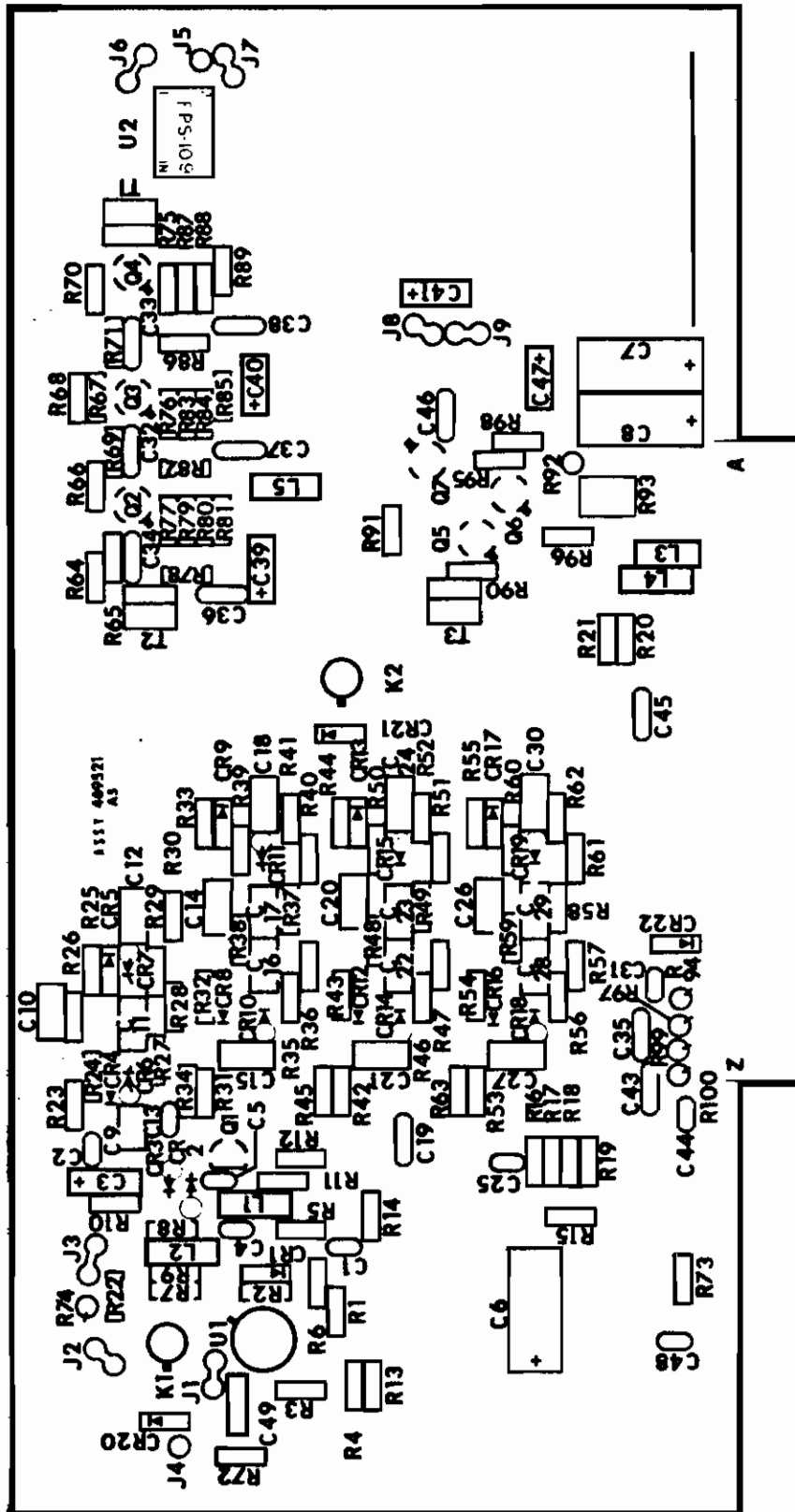
1. RESISTOR VALUES IN OHMS.
 CAPACITOR VALUES IN MICROFARADS.
 NOTES: UNLESS OTHERWISE SPECIFIED

* TEST SELECTED VALUE, 2% M.F.

REFERENCE DESIGNATIONS	
LAST	NOT USE
R125	—
C85	—
CR21	CR19
Q14	—
L12	—
U4	—



A4 - MICROWAVE OSCILLATOR - PLL CONTROL, SHT 2 OF 2
A4-1C



A5 PREDICTION GAIN CONTROL

Assembly : 469521
 Stock Number : 180175

ASSY, PRED., GAIN, A5

REV E5
 05/01/86

Item	Qty	Stk Num	Part Number	Description	Reference Desig.	Mfr
1	2	154045	RPE12175U104M100V	CAP, CER, .1 UF, 100V	C1, 4, 48	ERI
2	1	154049	RPE12275U104M100V	CAP, CER, .1 UF, 100V	C46	ERI
3	8	154044	RPE11075U103M100V	CAP, CER, .01 UF, 100V	C2, 5, 13, 19, 25, 31, 44	ERI
4	9	154048	RPE12275U103M	CAP, CER, .01 UF, 100V	C32-38, 43, 45	ERI
5	5	158008	CS13BF105K	CAP, TANT, 1 UF, 35V	C3, 39, 40, 41, 47	SPG
6	15	154051	RPE11375U334M100V	CAP, CER, .33 UF, 100V	C9, 11, 12, 15-18, 21-24 , 27-30	ERI
7	4	154071	CK06BX105K	CAP, CER, 1 UF	C10, 14, 20, 26	AVX
8	1	154053	CK05BX102K	CAP, CER, .001 UF	C49	AVX
9	3	158005	CS13BE156K	CAP, TANT, 15 UF, 20V	C6-8	SPG
10	12	172010	1N914	DIODE, SILICON, D035	CR1, 4, 5, 8, 9, 12, 13, 16 , 17, 20, 21, 22	MOT
11	10	172091	UM4001B	DIODE, PIN	CR2, 3, 6, 7, 10, 11, 14, 1 5, 18, 19	UNI
12	2	145065	732-12	RELAY, DPDT	K1, 2	TLR
13	5	166015	WD-10	INDUCTOR, 10 UH	L1-5	NYT
14	1	171097	MPF020	TRANSIS, FET	Q1	MOT
15	3	171087	2N5179	TRANSIS, NPN	Q2, 3, 4	MOT
16	2	171072	2N2222A	TRANSIS, NPN	Q5, 6	MOT
17	1	171076	2N2907A	TRANSIS, PNP	Q7	MOT
18	1	150026	R25J560	RES, C. FILM, 560 HMS, 1/4W, 5X	R1	ROM
19	7	150094	R25J5.1K	RES, C. FILM, 5.1K, 1/4W, 5X	R2, 64, 67, 70, 78, 82, 86	ROM
20	4	150138	R25J3K	RES, C. FILM, 3K, 1/4W, 5X	R3, 14, 73, 96	ROM
21	1	150042	R25J6.2K	RES, C. FILM, 6.2K, 1/4W, 5X	R4	ROM
22	1	150072	R25J3.9K	RES, C. FILM, 3.9K, 1/4W, 5X	R5	ROM
23	4	150022	R25J100	RES, C. FILM, 100 HMS, 1/4W, 5X	R6, 9, 15, 92	ROM
24	2	148001	RL07S101G	RES, M. FILM, 100 HMS, 2X	R37, 39	CGE

Assembly : 469521
Stock Number : 180175

ASSY, PRED., GAIN, A5

REV E5
05/01/86

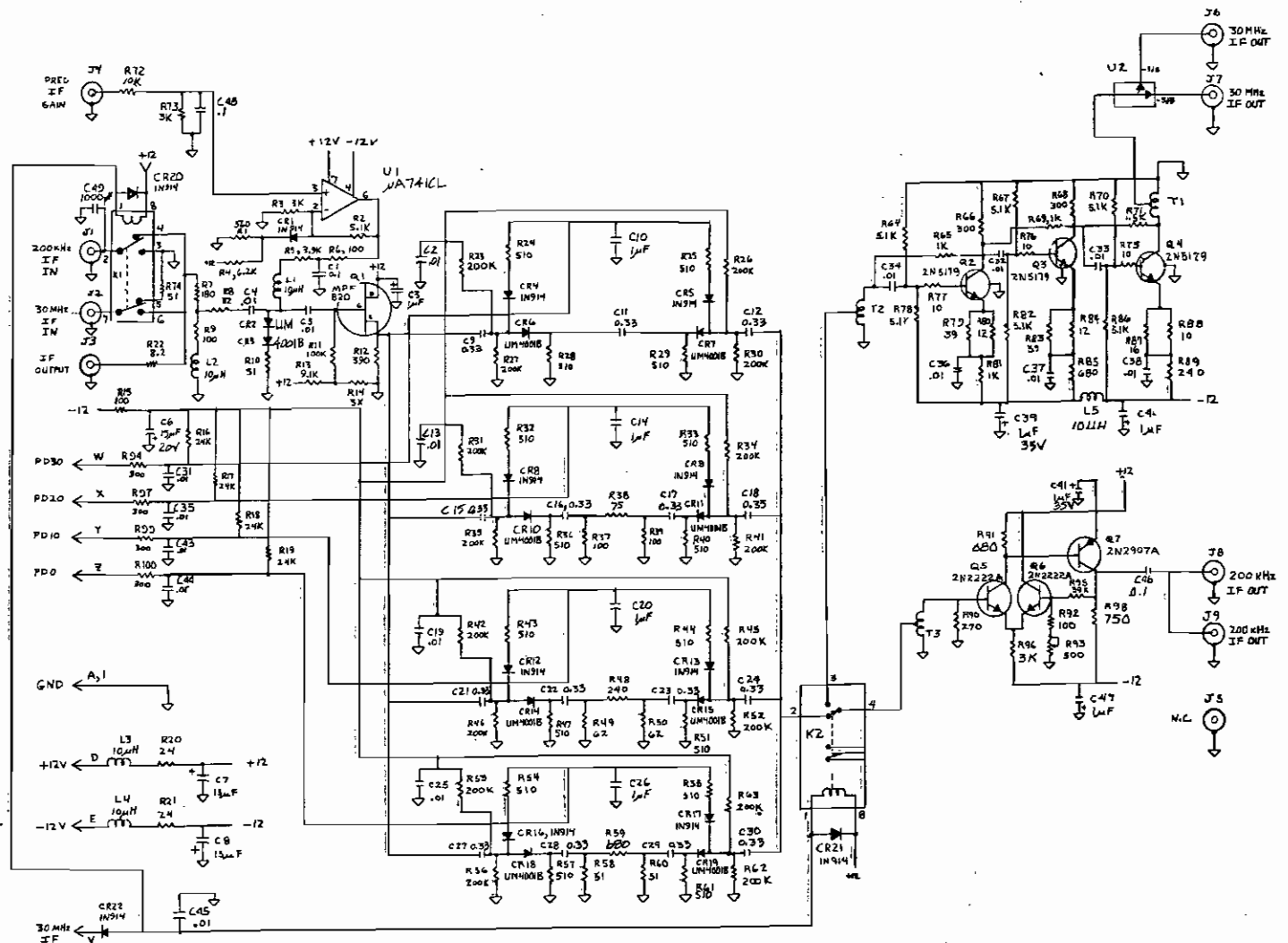
Item	Qty	Stk Num	Part Number	Description	Reference Desig.	Mfr
25	1	150109	R25J180	RES, C. FILM, 180 HMS, 1/4W, 5X	R7	ROM
26	1	150152	R25J82	RES, C. FILM, 82 HMS, 1/4W, 5X	R8	ROM
27	2	150081	R25J51	RES, C. FILM, 51 HMS, 1/4W, 5X	R10, 74	ROM
28	2	148028	RL07S510G	RES, M. FILM, 51 HMS, 2X	R58, 60	CGE
29	1	150009	R25J100K	RES, C. FILM, 100K, 1/4W, 5X	R11	ROM
30	1	150118	R25J390	RES, C. FILM, 390 HMS, 1/4W, 5X	R12	ROM
31	1	150155	R25J9.1K	RES, C. FILM, 9.1K, 1/4W, 5X	R13	ROM
32	4	150085	R25J24K	RES, C. FILM, 24K, 1/4W, 5X	R16, 17, 18, 19	ROM
33	2	150134	R25J24	RES, C. FILM, 24 HMS, 1/4W, 5X	R20, 21	ROM
34	1	150153	R25J8.2	RES, C. FILM, 8.2 HMS, 1/4W, 5X	R22	ROM
35	16	150106	R25J200K	RES, C. FILM, 200K, 1/4W, 5X	R23, 26, 27, 30, 31, 34, 35, 41, 42, 45, 46, 52, 53, 56, 62, 63	ROM
36	16	150147	R25J510	RES, C. FILM, 510 HMS, 1/4W, 5X	R24, 25, 28, 29, 32, 33, 36, 40, 43, 44, 47, 51, 54 55, 57, 61	ROM
37	1	148035	RL07S750G	RES, M. FILM, 75 HMS, 2X	R38	CGE
38	1	150097	R25J240	RES, C. FILM, 240 HMS, 1/4W, 5X	R89	ROM
39	1	148018	RL07S241G	RES, M. FILM, 240 HMS, 2X	R48	CGE
40	2	148030	RL07S620G	RES, M. FILM, 62 HMS, 2X	R49, 50	CGE
41	1	148032	RL07S681G	RES, M. FILM, 680 HMS, 2X	R59	CGE
42	3	150004	R25J1K	RES, C. FILM, 1K, 1/4W, 5X	R65, 69, 81	ROM
43	6	150137	R25J300	RES, C. FILM, 300 HMS, 1/4W, 5X	R66, 68, 94, 99, 100, 97	ROM
44	1	150037	R25J1.5K	RES, C. FILM, 1.5K, 1/4W, 5X	R71	ROM
45	1	150007	R25J10K	RES, C. FILM, 10K, 1/4W, 5X	R72	ROM
46	4	150053	R25J10	RES, C. FILM, 10 HMS, 1/4W, 5X	R75, 76, 77, 88 (SAT)	ROM
47	2	150105	R25J39	RES, C. FILM, 39 HMS, 1/4W, 5X	R79, 83 (SAT)	ROM
48	2	150096	R25J12	RES, C. FILM, 12 HMS, 1/4W, 5X	R80, 84 (SAT)	ROM

Assembly : 469521
Stock Number : 180175

ASSY, PRED. , GAIN, A5

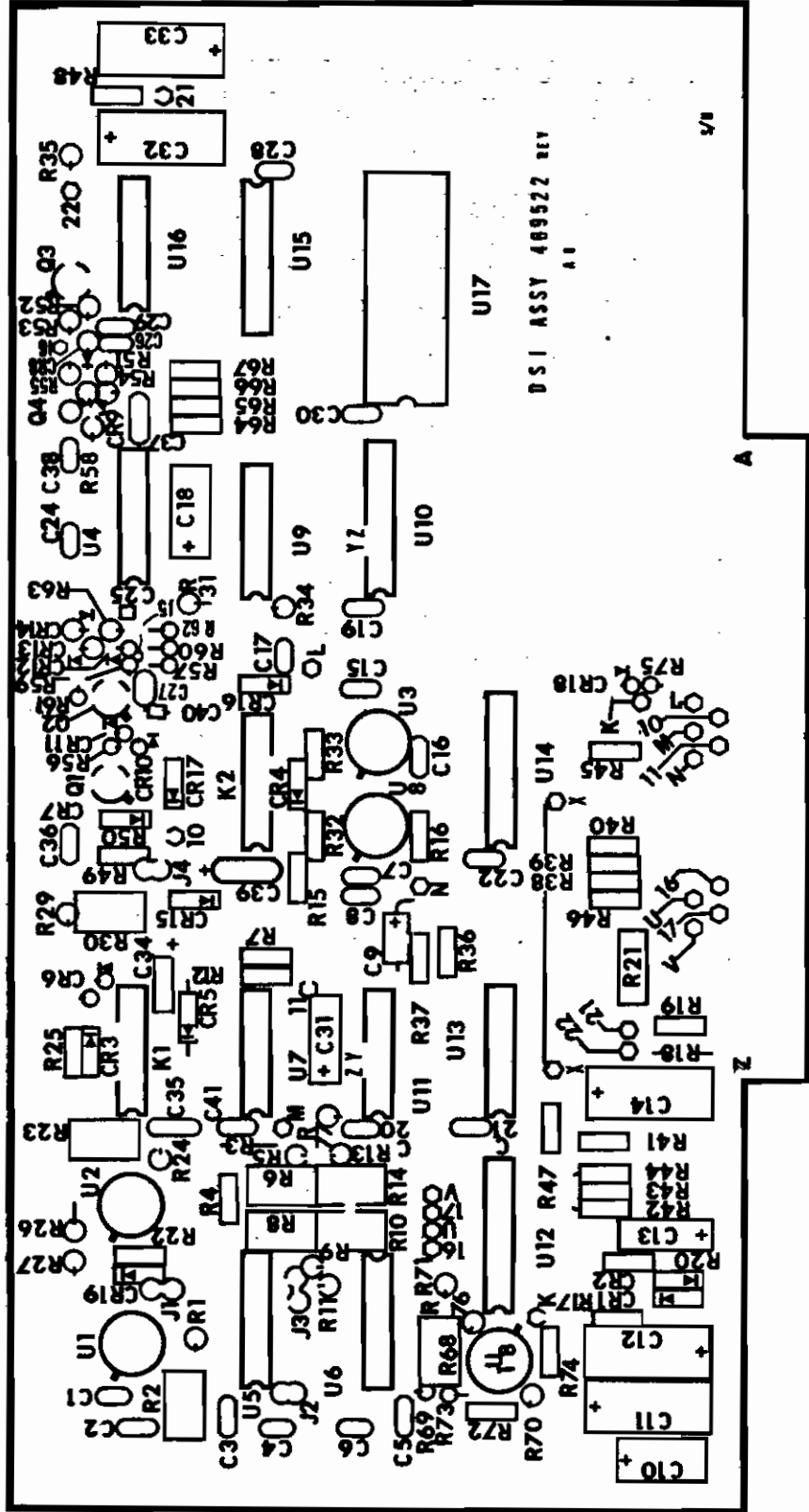
REV E5
05/01/86

Item	Qty	Stk Num	Part Number	Description	Reference Desig.	Mfr
49	2	150061	R25J680	RES, C. FILM, 680 HMS, 1/4W, 5%	R85, 91	R
50	1	150131	R25J16	RES, C. FILM, 16 HMS, 1/4W, 5%	R87 (SAT)	ROM
51	1	150069	R25J270	RES, C. FILM, 270 HMS, 1/4W, 5%	R90	ROM
52	1	153075	3299W-1-501K	RES, ADJ, 500 HMS	R93	BRN
53	1	150144	R25J39K	RES, C. FILM, 39K, 1/4W, 5%	R95	ROM
54	1	150120	R25J750	RES, C. FILM, 750 HMS, 1/4W, 5%	R98	ROM
55	3	134040	T4-1	TRANSFORMER	T1, 2, 3,	MCL
56	1	170686	UA741HC	I. C. , 741, 8 PIN, CAN	U1	FRS
57	1	161018	FPS-109	POWER, DIVIDER	U2	MCL
58	1	147191	469105	P. C. , CARD, A5		DSI
60	3	121054	B1591-B-11	MOUNT, BLOCK		USE
63	3	120164	MS51957-13	SCREW, PNHD, 4-40X1/4		HPR
64	3	120242	MS35338-135	WASHER, SPLITLOCK, #4		HPR
66	4	125160	RG178 R/U	CABLE, COAX		R
68	6	121056	1127 (350)	SPACER, GLASS		KKR
69	10	121057	1130	SPACER, GLASS		KKR
70	1	179139	469480	ASSY, MOUNTING PLATES, A5		DSI



NOTES: UNLESS OTHERWISE SPECIFIED
 1. RESISTOR VALUES ARE IN OHMS.
 2. CAPACITOR VALUES ARE IN MICROFARADS.

A5 - PREDETECTION GAIN CONTROL



A6 AGC - RF OVERLOAD-AUTO RANGING

Assembly : 469522
Stock Number : 180176

ASSY, AGC, AMP, A6

REV G3
05/01/86

Item	Qty	Stk Num	Part Number	Description	Reference Desig.	Mfr
1	18	154044	RPE11075U103M100V	CAP, CER, .01 UF, 100V	C1-6, 17, 19-22, 26-30, F 36, 41	
2	6	154045	RPE12175U104M100V	CAP, CER, .1 UF, 100V	C7, 8, 15, 24, 38, 16	ERI
3	1	158008	CS138F105K	CAP, TANT, 1 UF, 35V	C9	SPG
4	4	158005	CS138E156K	CAP, TANT, 15 UF, 20V	C10, 18, 31, 13	SPG
5	4	158004	CS138E107K	CAP, TANT, 100 UF, 20V	C11, 12, 32, 33	SPG
6	1	158002	CS138R337K	CAP, TANT, 330 UF, 6V	C14	SPG
7	1	154051	RPE11375U334M100V	CAP, CER, .33 UF, 100V	C37	ERI
8	1	154071	CK06BX105K	CAP, CER, 1 UF	C39	AVX
9	1	154059	CK05BX222K	CAP, CER, 2200 PF	C25	AVX
10	1	158003	CS138E106K	CAP, TANT, 10 UF, 20V	C34	SPG
11	1	154053	CK05BX102K	CAP, CER, .001 UF	C35	AVX
12	1	172075	1N759A	DIODE, ZENER, 12V, .4W, 5%	CR1	MDT
13	1	172072	1N753A	DIODE, ZENER, 6.2V, .4W, 5%	CR2	MDT
14	13	172010	1N914	DIODE, SILICON, D035	CR3, 4, 7-14, 16-18	ML
15	2	172059	1N270	DIODE, GERMANIUM	CR5, 6	MDT
16	2	172078	5082-2800	DIODE, SILICON	CR15, 19	HEW
18	2	145073	PRMA-10037	RELAY, SPST	K1, 2	CPC
19	2	171072	2N2222A	TRANSIS, NPN	Q1, 3	MDT
20	2	171076	2N2907A	TRANSIS, PNP	Q2, 4	MDT
21	3	153075	3299W-1-501K	RES, ADJ, 500 HMS	R2, 6, 8	BRN
22	4	153071	3299W-1-103K	RES, ADJ, 10K	R10, 14, 23, 68	BRN
23	1	153073	3299W-1-105K	RES, ADJ, 1M	R30	BRN
24	1	150006	R25J4. 7K	RES, C. FILM, 4. 7K, 1/4W, 5%	R77	ROM
25	7	150094	R25J5. 1K	RES, C. FILM, 5. 1K, 1/4W, 5%	R1, 5, 9, 31, 58, 61, 26	ROM
26	2	150138	R25J3K	RES, C. FILM, 3K, 1/4W, 5%	R3, 7	ROM

Assembly : 469522
Stock Number : 180176

ASSY, ABC, AMP, A6

REV G3
05/01/86

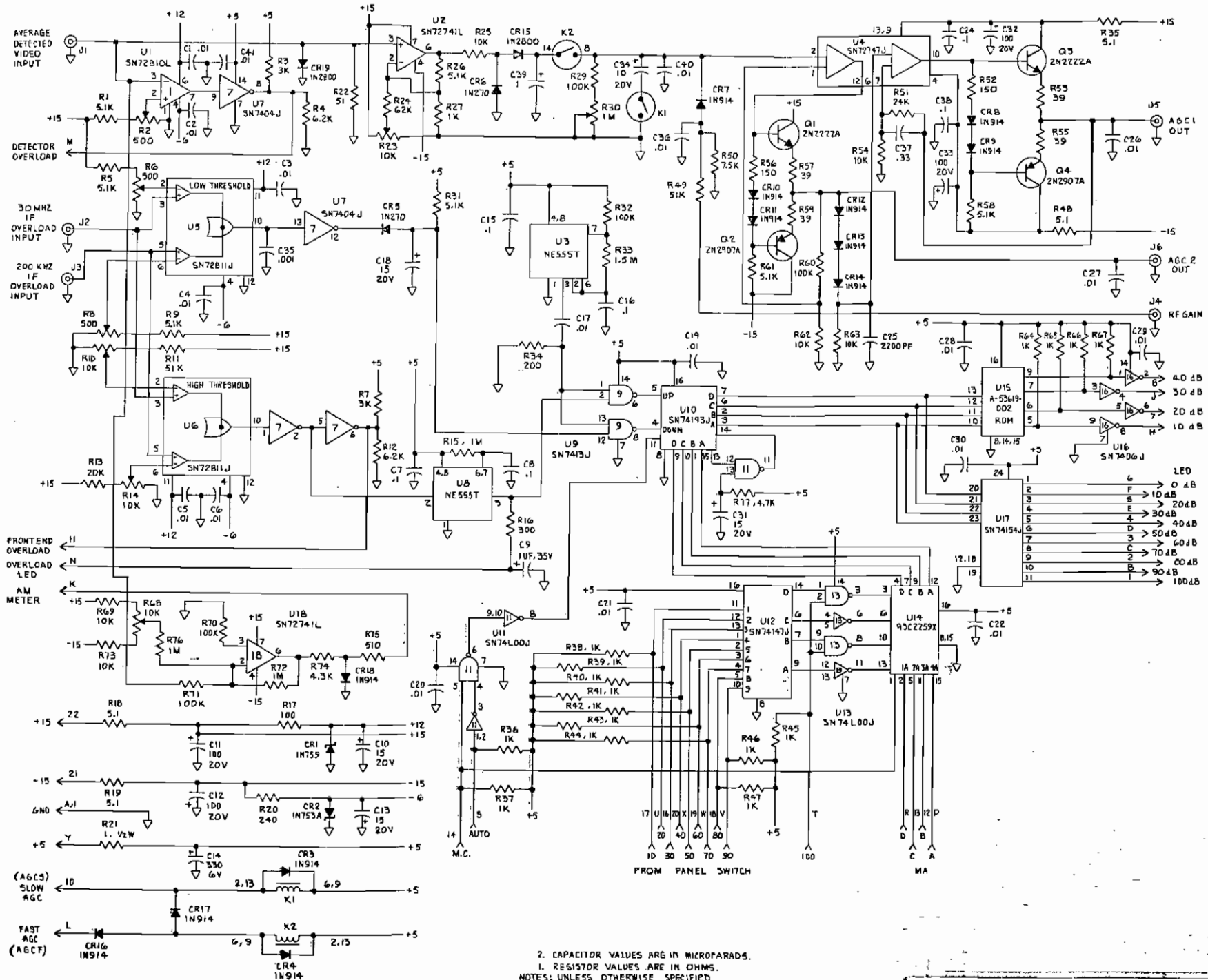
Item	Qty	Stk Num	Part Number	Description	Reference Desig.	Mfr
27	2	150042	R25J6.2K	RES, C. FILM, 6.2K, 1/4W, 5X	R4, 12	ROM
28	1	150058	R25J51K	RES, C. FILM, 51K, 1/4W, 5X	R11	ROM
29	1	150078	R25J20K	RES, C. FILM, 20K, 1/4W, 5X	R13	ROM
30	3	150031	R25J1M	RES, C. FILM, 1M, 1/4W, 5X	R15, 72, 76	ROM
31	1	150137	R25J300	RES, C. FILM, 300 HMS, 1/4W, 5X	R16	ROM
32	1	150022	R25J100	RES, C. FILM, 100 HMS, 1/4W, 5X	R17	ROM
33	1	150081	R25J51	RES, C. FILM, 51 HMS, 1/4W, 5X	R22	ROM
34	4	150148	R25J5.1	RES, C. FILM, 5.1 HMS, 1/4W, 5X	R18, 19, 35, 48	ROM
35	1	150097	R25J240	RES, C. FILM, 240 HMS, 1/4W, 5X	R20	ROM
36	1	150044	R25J62K	RES, C. FILM, 62K, 1/4W, 5X	R24	ROM
37	6	150007	R25J10K	RES, C. FILM, 10K, 1/4W, 5X	R25, 54, 62, 63, 69, 73	ROM
38	17	150004	R25J1K	RES, C. FILM, 1K, 1/4W, 5X	R27, 36-47, 64-67	ROM
39	5	150009	R25J100K	RES, C. FILM, 100K, 1/4W, 5X	R29, 32, 60, 70, 71	ROM
40	1	150049	R25J1.5M	RES, C. FILM, 1.5M, 1/4W, 5X	R33	ROM
41	1	150107	R25J200	RES, C. FILM, 200 HMS, 1/4W, 5X	R34	ROM
42	1	150095	R25J7.5K	RES, C. FILM, 7.5K, 1/4W, 5X	R50	ROM
43	1	150085	R25J24K	RES, C. FILM, 24K, 1/4W, 5X	R51	ROM
44	2	150034	R25J150	RES, C. COMP, 150 HMS, 1/4W, 5X	R52, 56	ROM
45	4	150105	R25J39	RES, C. FILM, 39 HMS, 1/4W, 5X	R53, 55, 57, 59	ROM
46	1	150108	R25J4.3K	RES, C. FILM, 4.3K, 1/4W, 5X	R74	ROM
47	1	150147	R25J510	RES, C. FILM, 510 HMS, 1/4W, 5X	R75	ROM
48	1	151033	R50J1	RES, C. FILM, 1 HMS, 1/2W, 5X	R21	ROM
49	1	170587	LM306H	I. C. , 306	U1	NSC
50	2	170686	UA741HC	I. C. , 741, B PIN, CAN	U2, 18	FRS
51	2	170613	LM555CH	I. C. , 555, CAN	U3, 8	RCA
52	1	170687	UA747CJ	I. C. , 747	U4	FRS

Assembly : 469522
Stock Number : 180176

ASSY, AGC, AMP, A6

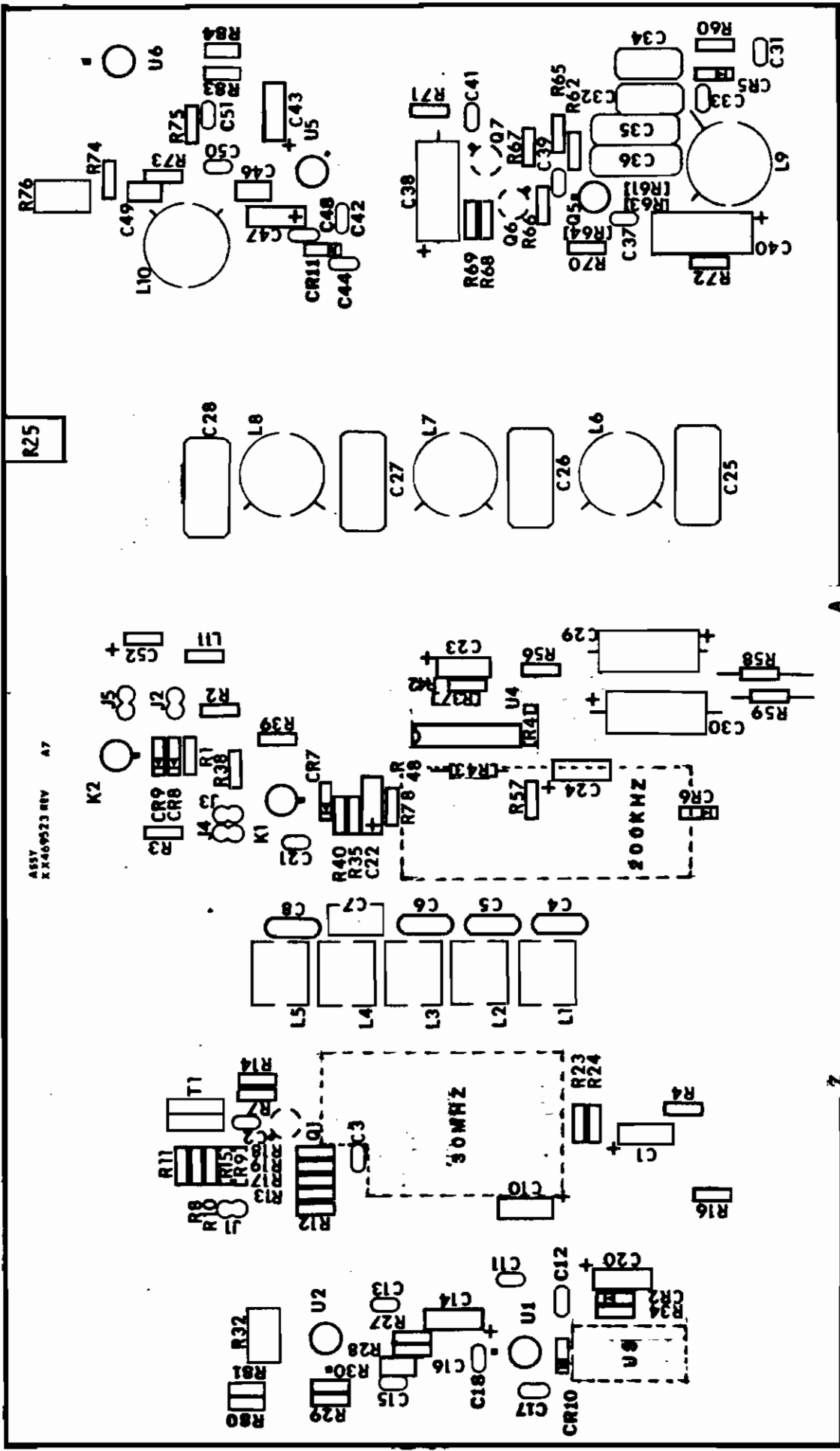
REV G3
05/01/86

Item	Qty	Stk Num	Part Number	Description	Reference Desig.	Mfr
53	2	170684	TL811MJ	I. C. , 811	U5, 6	
54	1	170631	SN7404J	I. C. , 7404, CER, HEX INVERT	U7	TXI
55	1	170638	SN7413J	I. C. , 7413, CER	U9	TXI
56	1	170642	SN74193J	I. C. , 74193, CER	U10	TXI
57	2	170651	SN74L00J	I. C. , 74L00, CER, QUAD-2, INPUT	U11, 13	TXI
58	1	170639	SN74147J	I. C. , 74147, CER	U12	TXI
59	1	170565	F93L22DC	I. C. , 93L22, CER	U14	FRS
60	1	170953	469254	ASSY, I. C. , PROGRAMMED	U15	DSI
61	1	170632	SN7406J	I. C. , 7406, CER	U16	TXI
62	1	170641	SN74154J	I. C. , 74154, CER	U17	TXI
63	8	141223	514-AG-10D	SOCKET, 14 PIN, I. C.		AUG
64	4	141225	516-AG-10D	SOCKET, 16 PIN, I. C.		AUG
65	1	141231	524-AG-10D	SOCKET, 24, PIN, I. C.		AUG
66	1	147200	469124	P. C. , CARD, A6		DSI
68	3	121054	B1591-B-11	MOUNT, BLOCK		USE
71	3	120164	MS51957-13	SCREW, PNHD, 4-40X1/4		HPR
72	3	120242	MS35338-135	WASHER, SPLITLOCK, #4		HPR
74	42	121056	1127 (350)	SPACER, GLASS		KKR
75	1	154048	RPE12275U103M	CAP, CER, .01 UF, 100V	C40	ERI
76	1	150144	R25J39K	RES, C. FILM, 39K, 1/4W, 5%	R49	ROM
77	1	179140	469481	ASSY, MOUNTING PLATES, A6		DSI



2. CAPACITOR VALUES ARE IN MICROFARADS.
 1. RESISTOR VALUES ARE IN OHMS.
 NOTES: UNLESS OTHERWISE SPECIFIED

A6 - AGC - RF OVERLOAD - AUTO RANGING



ASSY
X 746923 REV A7

A7 AMBFO DETECTOR

Assembly : 469523
 Stock Number : 180177

ASSY, AM/BFO, DETECTOR, A7

REV G6
 05/01/86

Item	Dty	Stk Num	Part Number	Description	Reference Desig.	Mfr
1	9	158008	CS13BF105K	CAP, TANT, .1 UF, 35V	C1, 10, 14, 20, 22, 23, 24, 47, 52	
2	9	154044	RPE11075U103M100V	CAP, CER, .01 UF, 100V	C2, 3, 11, 18, 21, 33, 37, 39, 43	ERI
8	11	154045	RPE12175U104M100V	CAP, CER, .1 UF, 100V	C12, 13, 15, 17, 31, 41, 42, 44, 48, 50, 51	ERI
9	1	154061	CK05BX332K	CAP, CER, .0033 UF	C46	AVX
12	2	158005	CS13BE156K	CAP, TANT, 15 UF, 20V	C38, 40	SPG
13	2	158004	CS13BE107K	CAP, TANT, 100 UF, 20V	C29, 30	SPG
14	1	163019	DM15-102J	CAP, MICA, 1000 PF	C32	ARC
15	1	163024	DM15-121J	CAP, MICA, 120 PF	C34	ARC
16	2	163034	DM19-562J	CAP, MICA, 5600 PF	C35, 36	ARC
17	1	154054	CK05BX103K	CAP, CER, .01 UF, 100V	C49	AVX
18	1	154053	CK05BX102K	CAP, CER, .001 UF	C16	AVX
20	1	172073	1N757A	DIODE, ZENER, 9.1V, .4W, 5%	CR2	MGT
22	1	172084	DKV6520B	DIODE, VARICAP	CR5	ALI
23	4	172010	1N914	DIODE, SILICON, D035	CR6, 7, 8, 9	MGT
24	2	145065	732-12	RELAY, DPDT	K1, 2	TLR
25	1	166015	WD-10	INDUCTOR, 10 UH	L11	NYT
26	1	165008	2673-000101	CORE, BEAD, CHOKE	L12	MIM
27	2	171087	2N5179	TRANSIS, NPN	Q1, 6	MGT
30	1	171104	40673	TRANSIS, FET	Q5	RCA
31	1	171078	2N3012	TRANSIS, PNP	Q7	MGT
34	2	153071	3299W-1-103K	RES. ADJ, 10K	R32, 76	BRN
36	2	150131	R25J16	RES, C. FILM, 16 HMS, 1/4W, 5%	R1, 18	ROM
37	2	150137	R25J300	RES, C. FILM, 300 HMS, 1/4W, 5%	R2, 3	ROM
38	2	150134	R25J24	RES, C. FILM, 24 HMS, 1/4W, 5%	R4, 16	ROM

Assembly : 469523
Stock Number : 180177

ASSY, AM/BFO, DETECTOR, A7

REV 66
05/01/86

Item	Qty	Stk Num	Part Number	Description	Reference Desig.	Mfr
39	1	150138	R25J3K	RES, C. FILM, 3K, 1/4W, 5X	R43	ROM
40	2	150037	R25J1.5K	RES, C. FILM, 1.5K, 1/4W, 5X	R7, 40	ROM
41	1	150141	R25J36	RES, C. FILM, 36 HMS, 1/4W, 5X	R8	ROM
42	1	150154	R25J910	RES, C. FILM, 910 HMS, 1/4W, 5X	R9	ROM
43	2	150034	R25J150	RES, C. COMP, 150 HMS, 1/4W, 5X	R10, 11	ROM
44	4	150094	R25J5.1K	RES, C. FILM, 5.1K, 1/4W, 5X	R12, 13, 35, 62	ROM
45	4	150053	R25J10	RES, C. FILM, 10 HMS, 1/4W, 5X	R14, 19, 58, 59	ROM
46	1	150092	R25J68	RES, C. FILM, 68 HMS, 1/4W, 5X	R15	ROM
47	1	150118	R25J390	RES, C. FILM, 390 HMS, 1/4W, 5X	R17	ROM
49	1	150078	R25J20K	RES, C. FILM, 20K, 1/4W, 5X	R60	ROM
51	3	150004	R25J1K	RES, C. FILM, 1K, 1/4W, 5X	R27, 37, 42	ROM
52	2	150058	R25J51K	RES, C. FILM, 51K, 1/4W, 5X	R28, 73	ROM
53	6	150009	R25J100K	RES, C. FILM, 100K, 1/4W, 5X	R29, 30, 61, 63, 74, 75	ROM
54	1	150107	R25J200	RES, C. FILM, 200 HMS, 1/4W, 5X	R34	ROM
55	1	150022	R25J100	RES, C. FILM, 100 HMS, 1/4W, 5X	R78	ROM
56	2	150155	R25J9.1K	RES, C. FILM, 9.1K, 1/4W, 5X	R38, 41	ROM
57	1	150061	R25J680	RES, C. FILM, 680 HMS, 1/4W, 5X	R39	ROM
64	2	150105	R25J39	RES, C. FILM, 39 HMS, 1/4W, 5X	R56, 57	ROM
65	2	150068	R25J120K	RES, C. FILM, 120K, 1/4W, 5X	R66, 67	ROM
66	1	150085	R25J24K	RES, C. FILM, 24K, 1/4W, 5X	R68	ROM
67	1	150060	R25J2K	RES, C. FILM, 2K, 1/4W, 5X	R69	ROM
68	2	150081	R25J51	RES, C. FILM, 51 HMS, 1/4W, 5X	R70, 72	ROM
69	1	150149	R25J62	RES, C. FILM, 62 HMS, 1/4W, 5X	R71	ROM
70	1	150007	R25J10K	RES, C. FILM, 10K, 1/4W, 5X	R65	ROM
71	1	150057	R25J150K	RES, C. FILM, 150K, 1/4W, 5X	R64	ROM
72	1	134040	T4-1	TRANSFORMER	T1	MCL

Assembly : 469523
 Stock Number : 180177

ASSY, AM/BFO, DETECTOR, A7

REV G6
 05/01/86

Item	Qty	Stk Num	Part Number	Description	Reference Desig.	Mfr
73	2	170626	SL640C	I. C. ,640	U1, 5	
74	2	170686	UA741HC	I. C. , 741, 8 PIN, CAN	U2, 6	FRS
75	1	170610	MHQ6002	I. C. , 6002	U4	MDT
76	1	180372	469191	ASSY, PCB, 30 MHZ OSC, BFO	U3	DSI
77	1	147195	469109	P. C. , CARD, A7		DSI
79	4	121054	B1591-B-11	MOUNT, BLOCK		USE
81	2	130297	469400-10	SHIELD, R. F.		DSI
82	4	120164	MS51957-13	SCREW, PNHD, 4-40X1/4		HPR
83	4	120242	MS35338-135	WASHER, SPLITLOCK, #4		HPR
89	3	130298	469400-11	SHIELD, R. F.		DSI
90	1	130299	469400-12	SHIELD, R. F.		DSI
91	1	141223	514-AG-10D	SOCKET, 14 PIN, I. C.		AUG
92	2	150072	R25J3. 9K	RES. C. FILM, 3. 9K, 1/4W, 5%	R80, 83	ROM
93	2	150114	R25J33K	RES. C. FILM, 33K, 1/4W, 5%	R81, 84	R.
94	2	172071	1N751A	DIODE, ZENER, 5. 1V, . 4W, 5%	CR10, 11	MDT
95	1	134088	472113C	ASSY, INDUCTOR/TRANSFORMER, TAB	L9 (USE 472113-4)	DSI
98	1	134093	472113H	ASSY, INDUCTOR/TRANSFORMER, TAB	L10 (USE 472113-13)	DSI
104	1	179141	469482	ASSY, MOUNTING PLATES, A7		DSI
105	1	180370	469438	ASSY, PCB, 200 KHZ DETECTOR		DSI
106	1	180371	469440	ASSY, PCB, 30 MHZ DETECTOR		DSI
107	2	163106	DM05240J	CAP, MICA, 24 PF	C4, 7	ARC
108	2	163005	DM10-101J	CAP, MICA, 100 PF	C5, 6	ARC
109	2	157054	719B1CA223PJ401SA	CAP, METAL, POLYCARB, . 022 UF	C25, 28	MEP
110	2	157053	719B1CB333PJ401SA	CAP, METAL, POLYCARB, . 033 UF	C26, 27	MEP
111	3	165024	T37-10	CORE, TOROID	L1-3	MIM
112	3	165026	T50-26	CORE, TOROID	L6-8	MIM

Assembly : 469523
Stock Number : 180177

ASSY, AM/BFO, DETECTOR, A7

REV G6
05/01/86

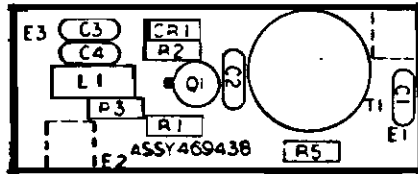
Item	Qty	Stk Num	Part Number	Description	Reference Desig.	Mfr
113	60	125172	#30HS	WIRE, MAGNET, HS#30		MSW
114	150	125331	32GA, SPN, RED, MAG	WIRE, 32GA, RED, MAGNET		PIW

Assembly : 469438
Stock Number : 180370

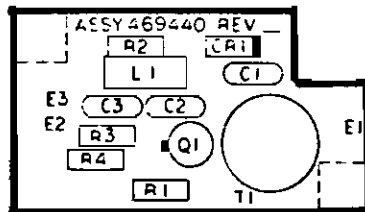
ASSY, PCB, 200 KHZ DETECTOR

REV X3
05/01/86

Item	Qty	Stk Num	Part Number	Description	Reference Desig.	Mfr
1	1	147311	469418	PCB, 200 KHZ, DETECTOR		
2	1	171120	NE02112	TRANSIS, HIGH FREQ, NPN	Q1	NEC
3	4	154071	CK068X105K	CAP, CER, 1 UF	C1-4	AVX
4	1	172010	1N914	DIODE, SILICON, D035	CR1	MOT
5	1	148174	C456K2X	RES, MF, 56K, 1/4W2X, 100PPM, RL07	R1	CGE
6	1	148158	C412K2X	RES, MF, 12K, 1/4W2X, 100PPM, RL07	R2	CGE
7	1	148115	C4200R2X	RES, MF, 200, 1/4W2X, 100PPM, RL07	R3	CGE
8	1	134058	469409	ASSY, TRANSFORMER, TOROID	T1	DSI
9	1	148108	C4100R2X	RES, MF, 100, 1/4W2X, 100PPM, RL07	R5	CGE
10	1	166028	WD-220	INDUCTOR, 220 UH	L1	NYT
11	2	120279	350-1248-09-07-00	STANDOFF		CAM
12	1	111039	4016-S	TAPE, FOAM, DOUBLE SIDED, 1/2 IN		MMM
13	1	163103	DM10-161J	CAP, MICA, 160 PF, 300V, 5%	C5	ARC



200 KHZ DETECTOR



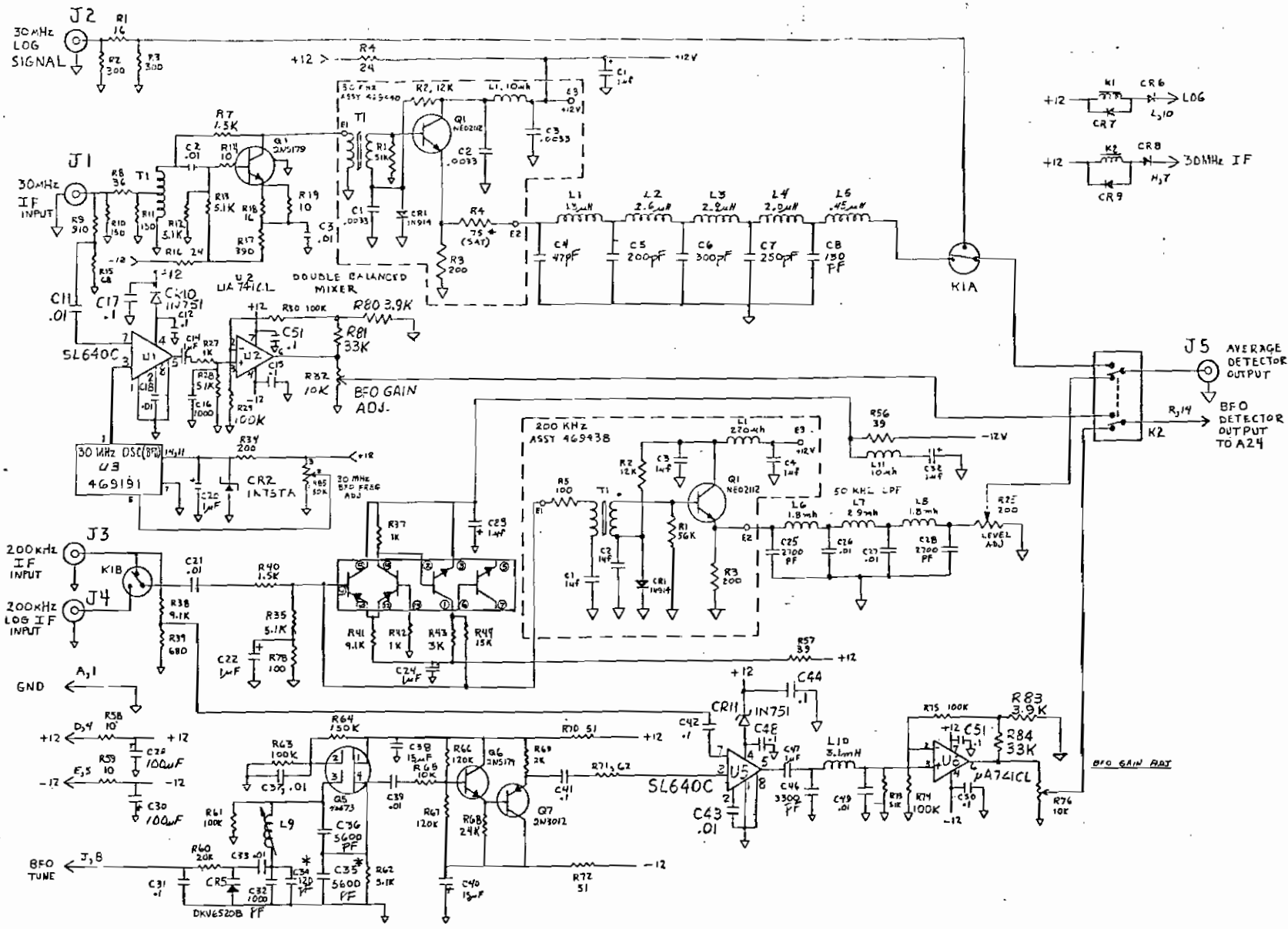
30 MHZ DETECTOR

Assembly : 469440
Stock Number : 180371

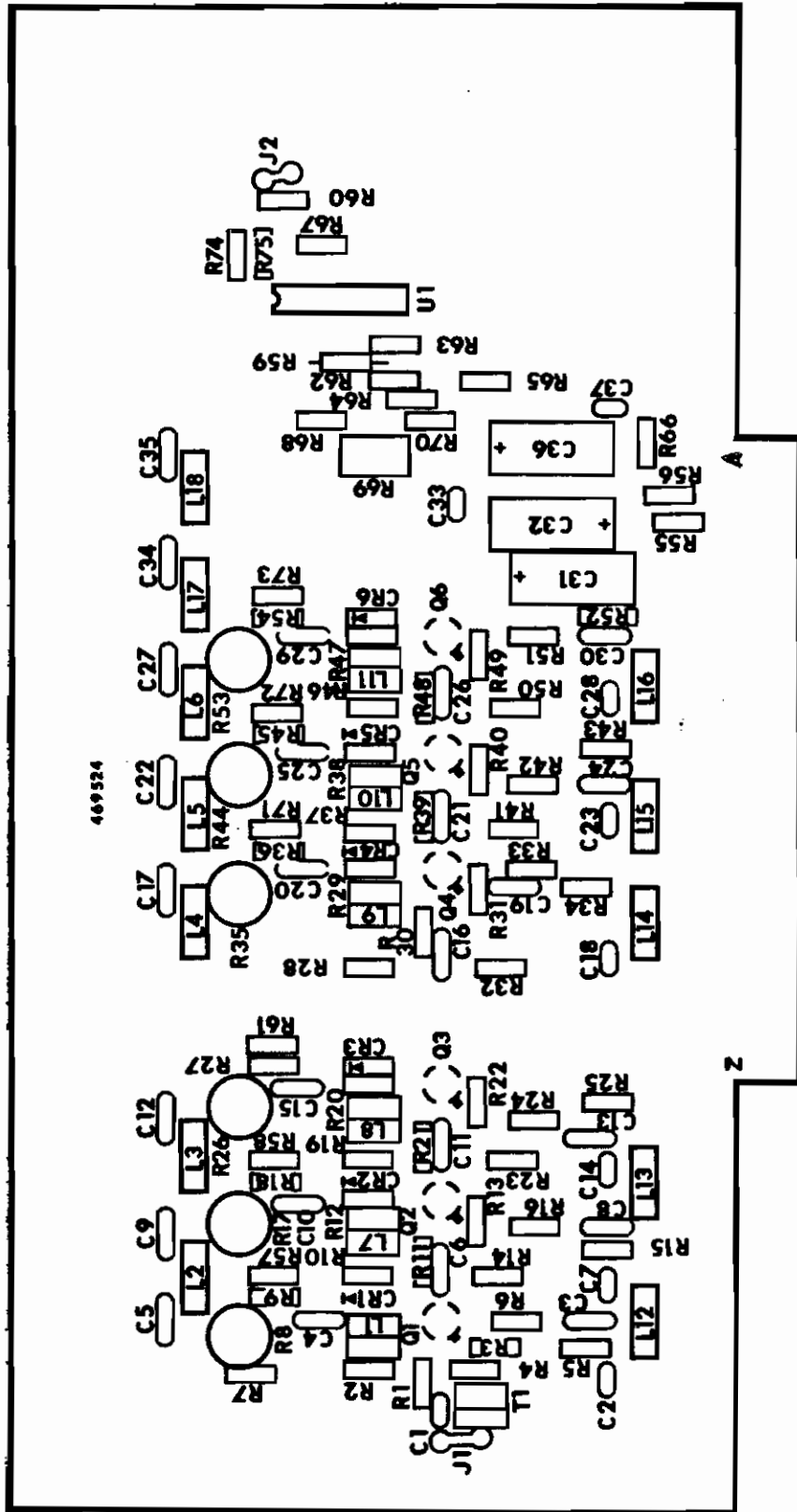
ASSY, PCB, 30 MHZ DETECTOR

REV A
05/01/86

Item	Qty	Stk Num	Part Number	Description	Reference Desig.	Mfr
1	1	147312	469419	PCB, 30 MHZ, DETECTOR		
2	3	154061	CK05BX332K	CAP, CER, .0033 UF	C1-3	AVX
3	1	172010	1N914	DIODE, SILICON, D035	CR1	MOT
4	1	148174	C456K2X	RES, MF, 56K, 1/4W2X, 100PPM, RL07	R1	CGE
5	1	148158	C412K2X	RES, MF, 12K, 1/4W2X, 100PPM, RL07	R2	CGE
6	1	148115	C4200R2X	RES, MF, 200, 1/4W2X, 100PPM, RL07	R3	CGE
7	1	148105	C475R2X	RES, MF, 75, 1/4W2X, 100PPM, RL07	R4	CGE
8	1	166015	WD-10	INDUCTOR, 10 UH	L1	NYT
9	1	171120	NE02112	TRANSIS, HIGH FREQ, NPN	Q1	NEC
10	1	134057	469408	ASSY, TRANSFORMER, TOROID	T1	DSI
11	2	120279	350-1248-09-07-00	STANDOFF		CAM
12	1	111039	4016-5	TAPE, FOAM, DOUBLE SIDED, 1/2 IN		MMM
13	2	142012	140-2089-02-01-00	TERMINAL, RIF		CAM



A7 - AM & BFO DETECTORS
A7-9



AS 80MHZ LOQ IF DETECTOR

Assembly : 469524
Stock Number : 180178

ASSY, LOG, AMP, AB

REV C2
05/01/86

Item	Qty	Stk Num	Part Number	Description	Reference Desig.	Mfr
1	9	154044	RPE110Z5U103M100V	CAP, CER, .01 UF, 100V	C1, 2, 7, 14, 18, 23, 28, 33, 37	EPK
2	6	154053	CK05BX102K	CAP, CER, .001 UF	C3, 8, 13, 19, 24, 30	AVX
3	6	163058	DM5CC180J	CAP, MICA, 18 PF	C4, 10, 15, 20, 25, 29	ARC
4	2	163060	DM5CC220J	CAP, MICA, 22 PF	C5, 35	ARC
5	5	163072	DM5EC510J	CAP, MICA, 51 PF	C6, 11, 16, 21, 26	ARC
6	6	163069	DM5EC430J	CAP, MICA, 43 PF	C9, 12, 17, 22, 27, 34	ARC
7	3	158005	CS138E156K	CAP, TANT, 15 UF, 20V	C31, 32, 36	SPG
8	6	171087	2N5179	TRANSIS, NPN	Q1-6	MOT
9	5	172010	1N914	DIODE, SILICON, D035	CR1, 2, 3, 4, 5,	MOT
10	1	172081	5082-2835	DIODE, SILICON	CR6	HEW
11	7	134040	T4-1	TRANSFORMER	L1, 7, 8, 9, 10, 11, T1	MCL
12	7	166017	WD-12	INDUCTOR, 12 UH	L2-6, 17, 18	NYT
13	5	166015	WD-10	INDUCTOR, 10 UH	L12-16	NYT
14	6	150124	R25J1.1K	RES, C. FILM, 1.1K, 1/4W, 5%	R1, 11, 21, 30, 39, 48,	ROM
15	13	150094	R25J5.1K	RES, C. FILM, 5.1K, 1/4W, 5%	R2, 4, 10, 14, 19, 23, 28, 32, 37, 41, 46, 50, 75	ROM
16	7	150053	R25J10	RES, C. FILM, 10 HMS, 1/4W, 5%	R3, 6, 13, 22, 31, 40, 49	ROM
17	7	150061	R25J680	RES, C. FILM, 680 HMS, 1/4W, 5%	R5, 15, 25, 34, 43, 52, 59	ROM
18	7	150147	R25J510	RES, C. FILM, 510 HMS, 1/4W, 5%	R7, 12, 20, 29, 38, 47, 64	ROM
19	12	150004	R25J1K	RES, C. FILM, 1K, 1/4W, 5%	R9, 18, 27, 36, 45, 54, 57, 58, 61, 71-73	ROM
20	5	150127	R25J13	RES, C. FILM, 13 HMS, 1/4W, 5%	R16, 24, 33, 42, 51	ROM
21	3	150089	R25J18	RES, C. FILM, 18 HMS, 1/4W, 5%	R55, 56, 66	ROM
22	2	150007	R25J10K	RES, C. FILM, 10K, 1/4W, 5%	R68, 70	ROM
23	1	150022	R25J100	RES, C. FILM, 100 HMS, 1/4W, 5%	R60	ROM
24	1	150138	R25J3K	RES, C. FILM, 3K, 1/4W, 5%	R65	ROM

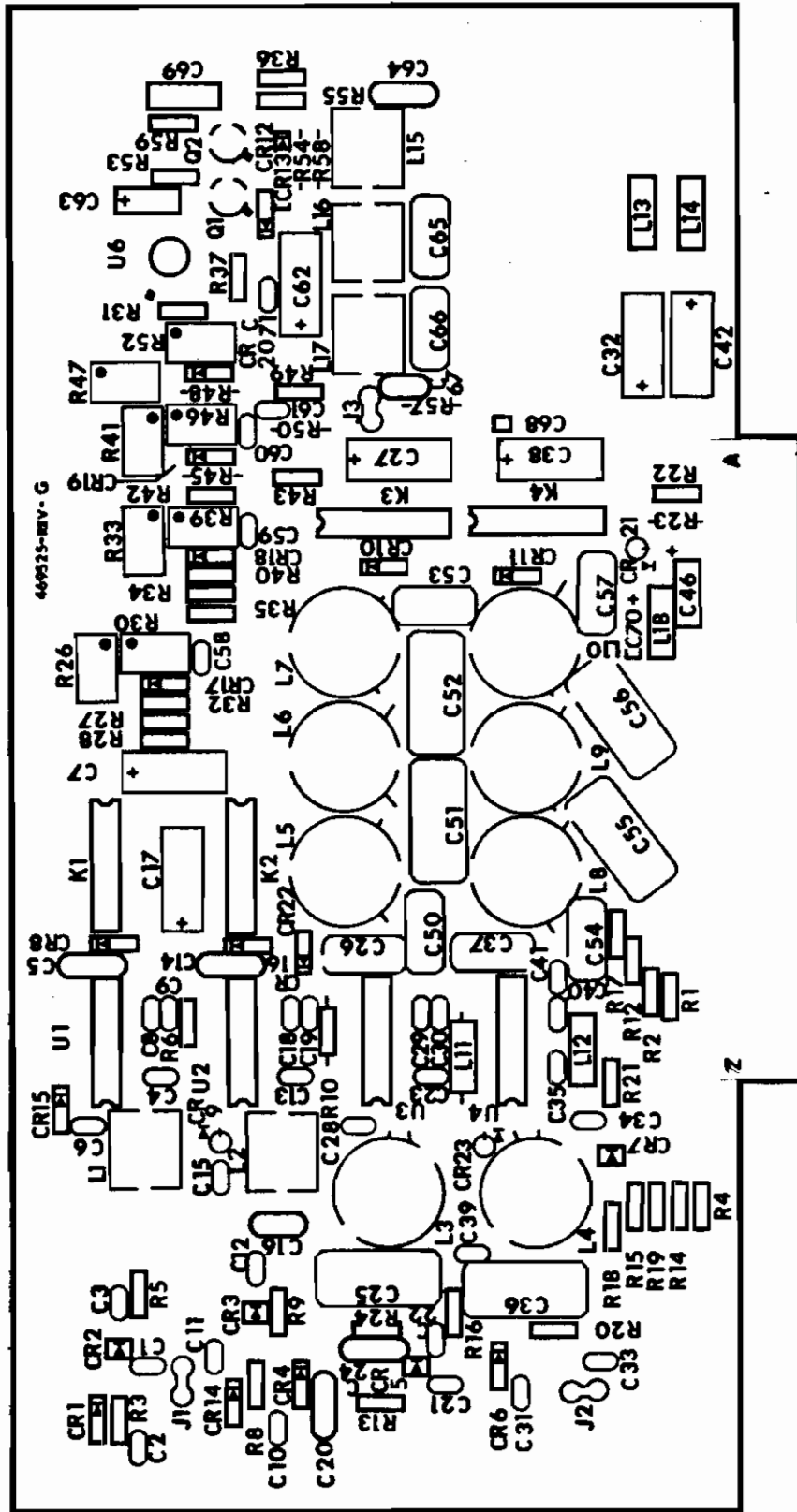
Assembly : 469524
Stock Number : 180178

ASSY, LOG, AMP, AB

REV C2
05/01/86

Item	Qty	Stk Num	Part Number	Description	Reference Desig.	Mfr
25	6	153082	3329P-1-502K	RES, ADJ, 5K	R8, 17, 26, 35, 44, 53,	BRN
26	1	153071	3299W-1-103K	RES, ADJ, 10K	R69	BRN
27	1	150097	R25J240	RES, C. FILM, 240 HMS, 1/4W, 5%	R74	ROM
28	2	150033	R25J47	RES, C. FILM, 47 HMS, 1/4W, 5%	R62, 63	ROM
29	1	150037	R25J1.5K	RES, C. FILM, 1.5K, 1/4W, 5%	R67	ROM
30	1	170610	MHQ6002	I. C., 6002	U1	MOT
31	1	147190	469103	P. C., CARD, AB		DSI
33	3	121054	B1591-B-11	MOUNT, BLOCK		USE
35	1	130302	469400-13	SHIELD, R. F.		DSI
36	3	120164	MS51957-13	SCREW, PNHD, 4-40X1/4		HPR
37	3	120242	MS35338-135	WASHER, SPLITLOCK, #4		HPR
39	2	125160	RG178 B/U	CABLE, COAX		ALC
41	1	141223	514-AG-100	SOCKET, 14 PIN, I. C.		AUG
42	1	179142	469483	ASSY, MOUNTING PLATES, AB		DSI

(THIS PAGE INTENTIONALLY LEFT BLANK)



AS PM DETECTORS - AUDIO/VIDEO AMPL

Assembly : 469525
 Stock Number : 180179

ASSY, FM, DETECTOR, A9

REV H5
 05/01/86

Item	Qty	Stk Num	Part Number	Description	Reference Desig.	Mfr
1	20	154044	RPE110Z5U103M100V	CAP, CER, .01 UF, 100V	C1-4, 6, 8-13, 15, 18, 19 , 28, 39, 58-61	ERC
2	1	163075	DM5EC750J	CAP, MICA, 75 PF	C5	ARC
3	7	158005	CS138E156K	CAP, TANT, 15 UF, 20V	C7, 17, 27, 32, 38, 42, 62	SPG
4	1	163050	DM5CC050D	CAP, MICA, 5 PF	C14	ARC
5	1	163074	DM5EC680J	CAP, MICA, 68 PF	C16	ARC
6	4	158008	CS13BF105K	CAP, TANT, 1 UF, 35V	C46, 63, 69, 70	SPG
7	11	154045	RPE121Z5U104M100V	CAP, CER, .1 UF, 100V	C21, 22, 23, 29, 30, 33- 35, 40, 41, 71	ERI
8	1	163082	DM5FY391J	CAP, MICA, 390 PF	C24*	ARC
10	2	163036	DM19-202J	CAP, MICA, 2000 PF	C26, 36	ARC
11	1	163027	DM15-431J	CAP, MICA, 430 PF	C37	ARC
12	4	163031	DM15-561J	CAP, MICA, 560 PF	C50, 53, 54, 57	ARC
13	4	163037	DM19-222J	CAP, MICA, 2200 PF	C51, 52, 55, 56	ARC
14	2	163042	DM5FA131J	CAP, MICA, 130 PF	C64, 67	
15	2	163030	DM15-511J	CAP, MICA, 510 PF	C65, 66	ARC
16	1	154053	CK05BX102K	CAP, CER, .001 UF	C68	AVX
17	2	163045	DM5FA201J	CAP, MICA, 200 PF	C72, 73	ARC
18	2	154071	CK06BX105K	CAP, CER, 1 UF	C31, 20	AVX
19	15	172010	1N914	DIODE, SILICON, D035	CR1, 4, 6, 8-16, 21, 22, 23	MOT
20	4	172082	5082-3188	DIODE, PIN	CR2, 3, 5, 7	HEW
21	4	172059	1N270	DIODE, GERMANIUM	CR17-20	MOT
22	4	145074	PRME-1A12	RELAY, SPST	K1-4	CPC
23	2	166016	WD-1000	INDUCTOR, 1 MH	L11, 12	NYT
24	3	166015	WD-10	INDUCTOR, 10 UH	L13, 14, 18	NYT
25	1	171073	2N2369A	TRANSIS, NPN	Q1	MOT

Assembly : 469525
Stock Number : 180179

ASSY, FM, DETECTOR, A9

REV H5
05/01/86

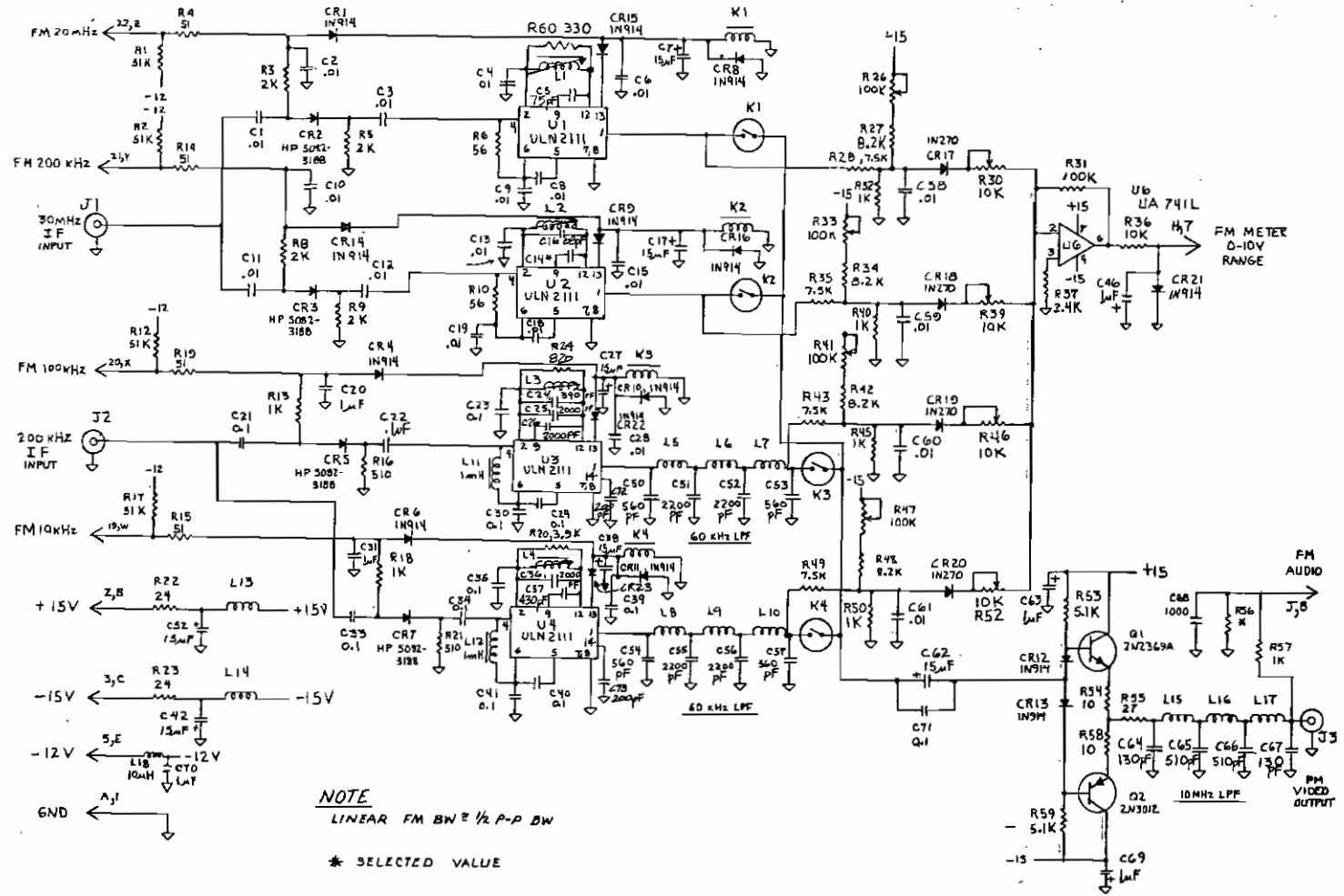
31	4	150081	R25J51	RES, C. FILM, 51 HMS, 1/4W, 5x	R4, 14, 15, 19	ROM
32	1	150035	R25J820	RES, C. FILM, 820 HMS, 1/4W, 5x	R24	ROM
33	2	150116	R25J56	RES, C. FILM, 56 HMS, 1/4W, 5x	R6, 10	ROM
34	2	150094	R25J5. 1K	RES, C. FILM, 5. 1K, 1/4W, 5x	R53, 59	ROM
35	7	150004	R25J1K	RES, C. FILM, 1K, 1/4W, 5x	R13, 18, 32, 40, 45, 50, 57	ROM
36	2	150147	R25J510	RES, C. FILM, 510 HMS, 1/4W, 5x	R16, 21	ROM
37	4	150023	R25J8. 2K	RES, C. FILM, 8. 2K, 1/4W, 5x	R27, 34, 42, 48	ROM
38	2	150134	R25J24	RES, C. FILM, 24 HMS, 1/4W, 5x	R22, 23	ROM
39	4	150095	R25J7. 5K	RES, C. FILM, 7. 5K, 1/4W, 5x	R28, 35, 43, 49	ROM
40	1	150009	R25J100K	RES, C. FILM, 100K, 1/4W, 5x	R31	ROM
41	1	150007	R25J10K	RES, C. FILM, 10K, 1/4W, 5x	R36	ROM
42	1	150067	R25J2. 4K	RES, C. FILM, 2. 4K, 1/4W, 5x	R37	ROM
43	2	150053	R25J10	RES, C. FILM, 10 HMS, 1/4W, 5x	R54, 58	ROM
44	1	150119	R25J27	RES, C. FILM, 27 HMS, 1/4W, 5x	R55	ROM
45	4	170688	ULN2111A	I. C. , 2111	U1, 2, 3, 4	SPG
46	1	170686	UA741HC	I. C. , 741, 8 PIN, CAN	U6	FRS
47	1	147192	469106	P. C. , CARD, A9		DSI
49	3	121054	B1591-B-11	MOUNT, BLOCK		USE
52	3	120164	MS51957-13	SCREW, PNHD, 4-40X1/4		HPR
53	3	120242	MS35338-135	WASHER, SPLITLOCK, #4		HPR

Assembly : 469525
Stock Number : 180179

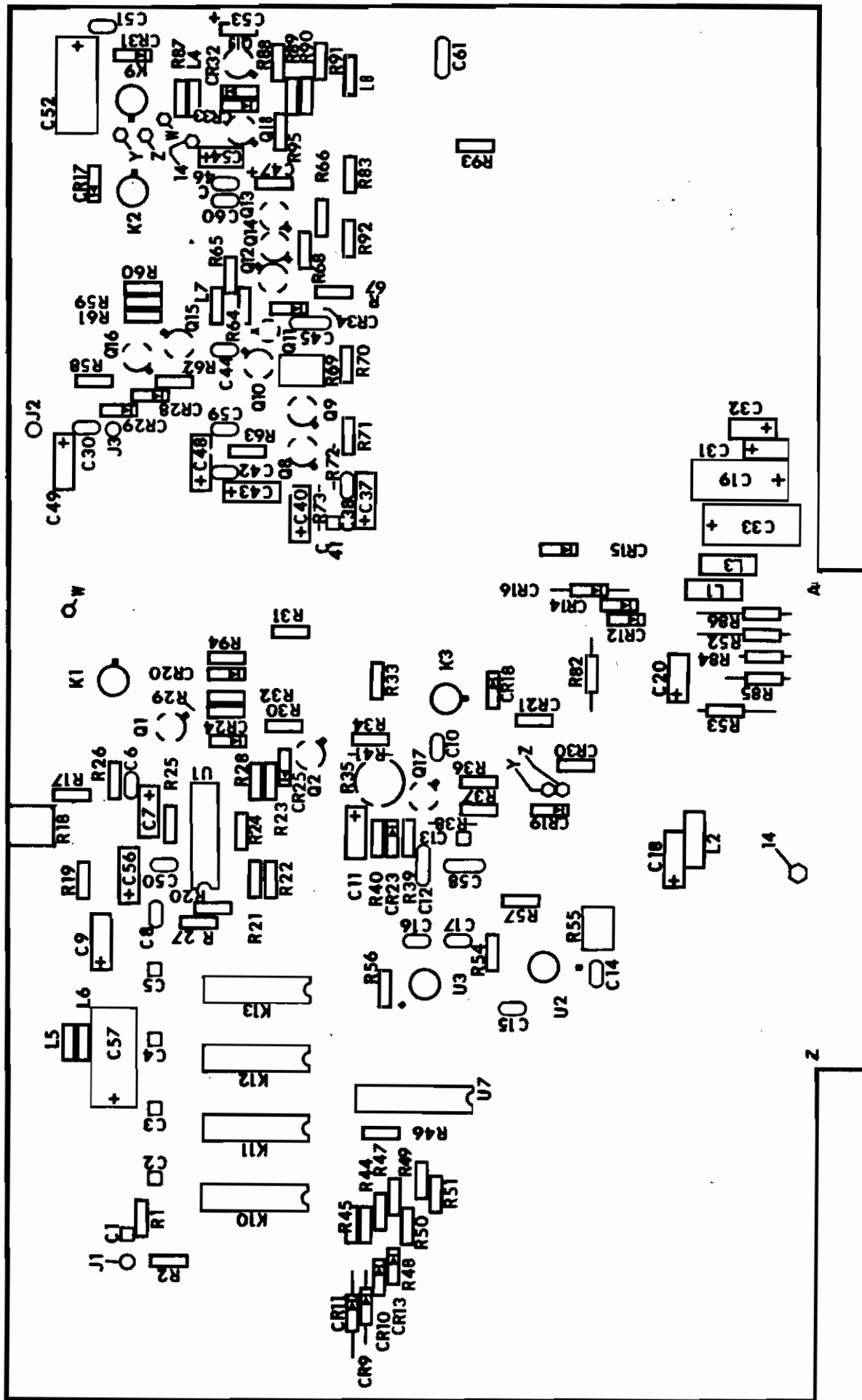
ASSY, FM, DETECTOR, A9

REV H5
05/01/86

Item	Qty	Stk Num	Part Number	Description	Reference Desig.	Mfr
54	4	141223	514-AG-10D	SOCKET, 14 PIN, I. C.	U1-4	PHS
60	5	165015	L45-6-CT-B4	CORE, INDUCTOR	L1, 2, 15, 16, 17	MIM
61	3	125160	RG178 B/U	CABLE, COAX		ALC
63	3	121056	1127(350)	SPACER, GLASS		KKR
64	1	150002	R25J330	RES, C. FILM, 330 HMS, 1/4W, 5%	R60	ROM
65	1	150072	R25J3.9K	RES, C. FILM, 3.9K, 1/4W, 5%	R20	ROM
66	4	134096	472113J	ASSY, INDUCTOR/TRANSFORMER, TAB	L5(USE 472113-20) L7(USE 472113-19) L8(USE 472113-18) L10(USE 472113-17)	DSI
67	2	134095	472113K	ASSY, INDUCTOR/TRANSFORMER, TAB	L6(USE 472113-21) L9(USE 472113-22)	DSI
68	1	134072	472111J	ASSY, INDUCTOR, TABULATED	L4(USE 472111-21)	DSI
69	1	134099	472102A	ASSY, INDUCTOR, TABULATED	L1(USE 472102-1)	DSI
70	1	134101	472102C	ASSY, INDUCTOR, TABULATED	L2(USE 472102-4)	DSI
71	1	134118	472102T	ASSY, INDUCTOR, TABULATED	L15(USE 472102-36)	I
72	1	134116	472102R	ASSY, INDUCTOR, TABULATED	L16(USE 472102-34)	DSI
73	1	134119	472102U	ASSY, INDUCTOR, TABULATED	L17(USE 472102-37)	DSI
74	1	179143	469484	ASSY, MOUNTING PLATES, A9		DSI
75	1	134127	472113-23	ASSY, INDUCTOR/TRANSFORMER, TAB	L3	DSI



NOTES: UNLESS OTHERWISE SPECIFIED
 1. RESISTOR VALUES ARE IN OHMS
 2. CAPACITOR VALUES ARE IN MICROFARADS



Assembly : 469526

Stock Number : 180180

ASSY, A10, AM VID, SLBK PLSE, A S

REV J

05/01/86

Item	Qty	Stk Num	Part Number	Description	Reference Desig.	Mfr
1	1	154068	CK05BX820K	CAP, CER, 82 PF	C2	ARC
2	1	163045	DM5FA201J	CAP, MICA, 200 PF	C1	ARC
3	1	154069	CK05BX821K	CAP, CER, 820 PF	C3	AVX
4	1	154070	CK05BX822K	CAP, CER, 8200 PF	C4	AVX
5	1	154076	CK06BX823K	CAP, CER, .082 UF	C5	AVX
6	1	154048	RPE122Z5U103M	CAP, CER, .01 UF, 100V	C61	ERI
7	12	154044	RPE110Z5U103M100V	CAP, CER, .01 UF, 100V	C6, 8, 14, 15, 17, 30, 38, 42, 44, 46, 50, 51	ERI
8	2	154045	RPE121Z5U104M100V	CAP, CER, .1 UF, 100V	C10, 16	ERI
9	15	158008	CS138F105K	CAP, TANT, 1 UF, 35V	C7, 9, 11, 18, 20, 31, 32, 37, 40, 43, 47, 48, 49, 53, 54	SPG
10	4	158005	CS138E156K	CAP, TANT, 15 UF, 20V	C19, 33, 52, 56	SPG
11	1	158004	CS138E107K	CAP, TANT, 100 UF, 20V	C57	SPG
12	2	154051	RPE113Z5U334M100V	CAP, CER, .33 UF, 100V	C12, 58	ERI
13	1	154066	CK05BX561K	CAP, CER, 560 PF	C13	AVX
21	1	163019	DM15-102J	CAP, MICA, 1000 PF	C45	ARC
22	2	154043	RPE121COG102J100V	CAP, CER, .001 UF, 100V	C59, 60	ERI
23	20	172010	1N914	DIODE, SILICON, D035	CR9-21, 24, 25, 28-30, 32, 33	MOT
24	1	172079	5082-2810	DIODE, SILICON	CR23	HEW
25	1	172081	5082-2835	DIODE, SILICON	CR31	HEW
26	1	172078	5082-2800	DIODE, SILICON	CR34	HEW
27	1	145068	732-5	RELAY, DPDT, 5V, TO-5 CASE	K9	TLR
28	3	145065	732-12	RELAY, DPDT	K1, 2, 3	TLR
29	5	145073	PRMA-10037	RELAY, SPST	K4, 10-13	CPC
30	8	166015	WD-10	INDUCTOR, 10 UH	L1-8	NYT
31	4	171073	2N2369A	TRANSIS, NPN	Q1, 9, 16, 19	MOT

Assembly : 469526
Stock Number : 180180

ASSY, A10, AM VID, SLBK PLSE, A S

REV J
05/01/86

Item	Qty	Stk Num	Part Number	Description	Reference Desig.	Mfr
32	3	171078	2N3012	TRANSIS, PNP	Q2, 15, 18	MOT
33	2	171087	2N5179	TRANSIS, NPN	Q13, 14	MOT
34	1	171072	2N2222A	TRANSIS, NPN	Q8	MOT
35	2	171076	2N2907A	TRANSIS, PNP	Q10, 12	MOT
36	1	171102	3N138	TRANSIS, FET	Q11	RCA
37	1	171083	2N4416	TRANSIS, FET	Q17	MOT
38	1	153080	3329P-1-102K	RES, ADJ, 1K	R35	BRN
39	1	153070	3299W-1-102K	RES, ADJ, 1K	R69	BRN
40	2	153071	3299W-1-103K	RES, ADJ, 10K	R18, 55	BRN
41	3	150147	R25J510	RES, C. FILM, 510 HMS, 1/4W, 5%	R1, 87, 94	ROM
42	1	148115	C4200R2X	RES, MF, 200, 1/4W2X, 100PPM, RL07	R2	CGE
43	2	150007	R25J10K	RES, C. FILM, 10K, 1/4W, 5%	R83, 92	ROM
44	2	148002	RL07S103G	RES, M. FILM, 10K, 2%	R17, 19	CGE
45	3	150138	R25J3K	RES, C. FILM, 3K, 1/4W, 5%	R20, 34, 67	ROM
46	2	150141	R25J36	RES, C. FILM, 36 HMS, 1/4W, 5%	R21, 22	ROM
47	1	150128	R25J130	RES, C. FILM, 130 HMS, 1/4W, 5%	R23	ROM
48	1	150061	R25J680	RES, C. FILM, 680 HMS, 1/4W, 5%	R24	ROM
49	1	150022	R25J100	RES, C. FILM, 100 HMS, 1/4W, 5%	R25	ROM
50	5	150004	R25J1K	RES, C. FILM, 1K, 1/4W, 5%	R26, 31, 65, 70, 73	ROM
51	1	150060	R25J2K	RES, C. FILM, 2K, 1/4W, 5%	R27	ROM
52	1	150067	R25J2.4K	RES, C. FILM, 2.4K, 1/4W, 5%	R28	ROM
53	6	150053	R25J10	RES, C. FILM, 10 HMS, 1/4W, 5%	R29, 30, 59, 61, 89, 90	ROM
54	1	150146	R25J43	RES, C. FILM, 43 HMS, 1/4W, 5%	R32	ROM
55	7	150094	R25J5.1K	RES, C. FILM, 5.1K, 1/4W, 5%	R33, 39, 54, 58, 62, 88, 95	ROM
56	1	150010	R25J220	RES, C. FILM, 220 HMS, 1/4W, 5%	R36	ROM

Assembly : 469526
Stock Number : 180180

ASSY, A10, AM VID, SLBK PLSE, A S

REV J
05/01/86

Item	Qty	Stk Num	Part Number	Description	Reference Desig.	Mfr
57	3	150074	R25J510K	RES, C. FILM, 510K, 1/4W, 5%	R37, 38, 40	I
58	3	150134	R25J24	RES, C. FILM, 24 HMS, 1/4W, 5%	R41, 84, 85	ROM
59	4	150039	R25J15K	RES, C. FILM, 15K, 1/4W, 5%	R44, 45, 47, 49	ROM
60	4	150078	R25J20K	RES, C. FILM, 20K, 1/4W, 5%	R46, 48, 50, 51	ROM
61	1	150106	R25J200K	RES, C. FILM, 200K, 1/4W, 5%	R68	ROM
62	1	150137	R25J300	RES, C. FILM, 300 HMS, 1/4W, 5%	R57	ROM
63	3	150105	R25J39	RES, C. FILM, 39 HMS, 1/4W, 5%	R60, 63, 91	ROM
64	1	150123	R25J110	RES, C. FILM, 110 HMS, 1/4W, 5%	R64	ROM
65	1	150155	R25J9.1K	RES, C. FILM, 9.1K, 1/4W, 5%	R66	ROM
66	3	150009	R25J100K	RES, C. FILM, 100K, 1/4W, 5%	R71, 72, 93	ROM
69	1	150037	R25J1.5K	RES, C. FILM, 1.5K, 1/4W, 5%	R82	ROM
70	2	150089	R25J18	RES, C. FILM, 18 HMS, 1/4W, 5%	R52, 86	ROM
71	1	150135	R25J2.7	RES, C. FILM, 2.7 HMS, 1/4W, 5%	R53	ROM
72	1	150031	R25J1M	RES, C. FILM, 1M, 1/4W, 5%	R56	I
73	1	150057	R25J150K	RES, C. FILM, 150K, 1/4W, 5%	R96	ROM
75	1	170587	LM306H	I. C., 306	U2	NSC
76	1	170613	LM555CH	I. C., 555, CAN	U3	RCA
78	1	170566	CA3082	I. C., 3082	U7	RCA
80	1	141225	516-AG-10D	SOCKET, 16 PIN, I. C.		AUG
81	1	147196	469110	P. C., CARD, A10		DSI
83	4	121054	B1591-B-11	MOUNT, BLOCK		USE
86	4	120164	MS51957-13	SCREW, PNHD, 4-40X1/4		HPR
87	4	120242	MS35338-135	WASHER, SPLITLOCK, #4		HPR
89	1	171081	2N3906	TRANSIS, PNP	Q20	MGT
90	1	171092	1T120A	TRANSIS, NPN	Q21	ITS
91	1	130433	469400-18	SHIELD, RF		DSI

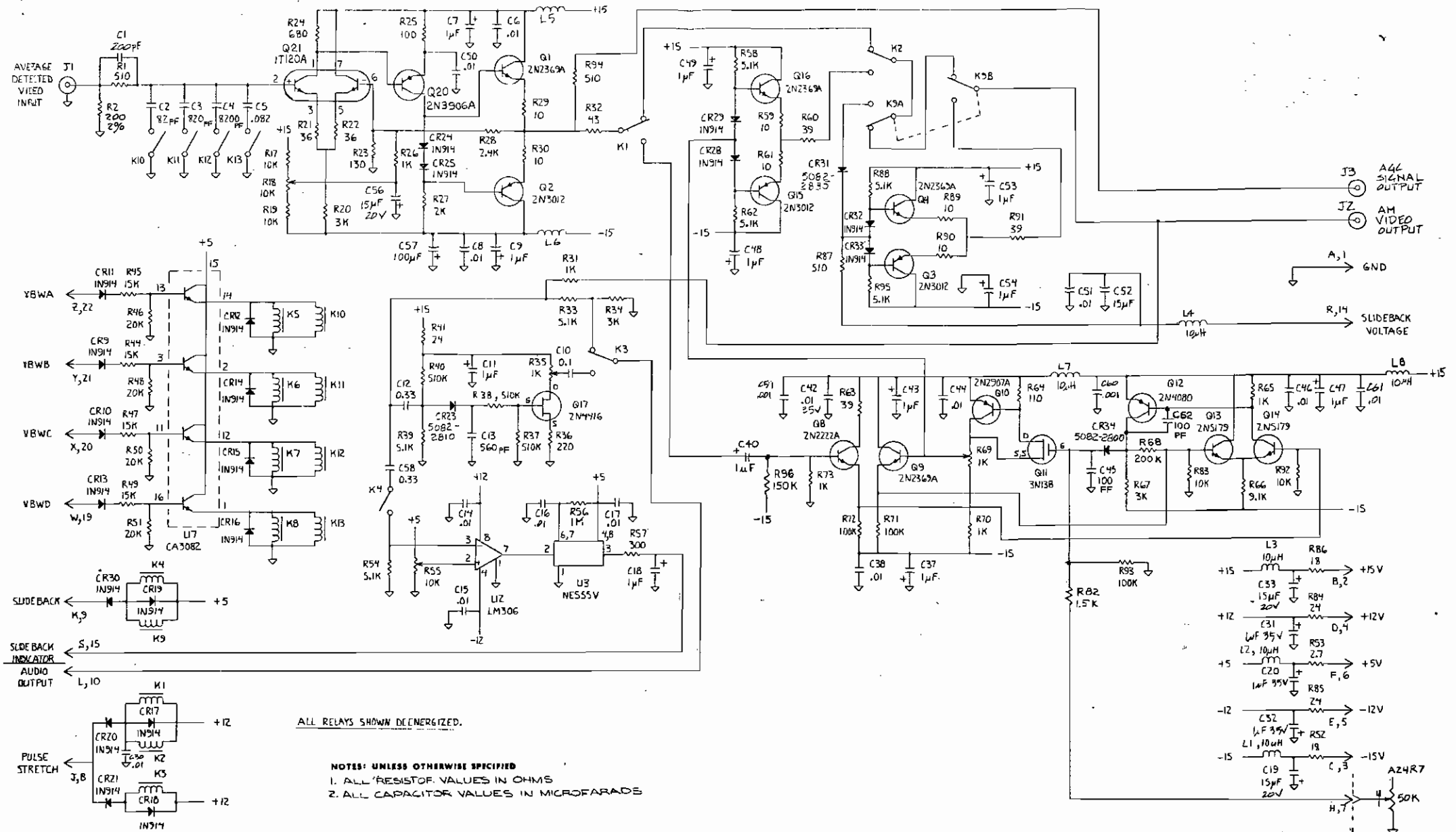
Assembly : 469526
Stock Number : 180180

ASSY, A10, AM VID, SLBK PLSE, A S

REV J
05/01/86

Item	Qty	Stk Num	Part Number	Description	Reference Desig.	Mfr
92	1	130432	469400-19	SHIELD, RF		DSI
93	1	130431	469400-20	SHIELD, RF		DSI
94	1	179144	469485	ASSY, MOUNTING PLATES, A10		DSI

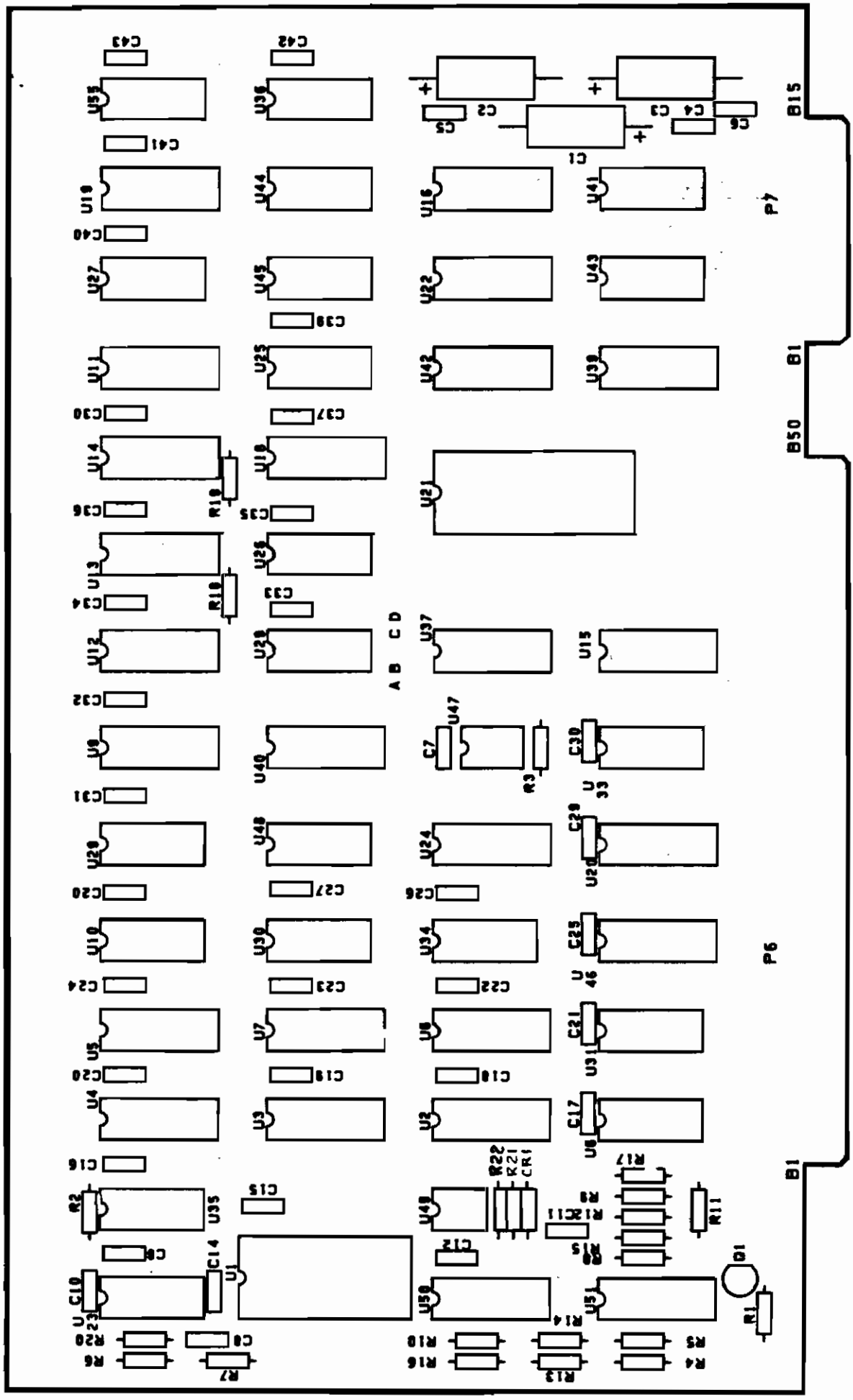
(THIS PAGE INTENTIONALLY LEFT BLANK)



ALL RELAYS SHOWN DEENERGIZED.

- NOTES: UNLESS OTHERWISE SPECIFIED
 1. ALL RESISTOR VALUES IN OHMS
 2. ALL CAPACITOR VALUES IN MICROFARADS

A10 - AM VIDEO - SLIDEBACK PULSE - AUDIO STRETCH



A11 LOGIC AND SWITCHING CONTROL

Assembly : 469915
Stock Number : 180248

ASSY, A11, LOG & SWITCH CONT

REV C3
05/01/86

Item	Qty	Stk Num	Part Number	Description	Reference Desig.	Mfr
1	1	147265	469545	PCB, A11, R-1250	A11	ITT
2	2	141213	508-AG-10D	SOCKET, 8 PIN, IC		AUG
3	20	141223	514-AG-10D	SOCKET, 14 PIN, I.C.		AUG
4	25	141225	516-AG-10D	SOCKET, 16 PIN, I.C.		AUG
5	1	141231	524-AG-10D	SOCKET, 24, PIN, I.C.		AUG
6	1	141316	528-AG-10D	SOCKET, 28 PIN, I.C.		AUG
7	1	170949	469250	ASSY, I.C., PROGRAMMED	U11	DSI
8	1	170950	469251	ASSY, I.C., PROGRAMMED	U12	DSI
9	1	170951	469252	ASSY, I.C., PROGRAMMED	U13	DSI
10	1	170952	469253	ASSY, I.C., PROGRAMMED	U14	DSI
11	1	170093	74LS00	I.C., 74LS00, QUAD, NAND	U35	TXI
12	1	170098	74LS01	I.C., 74LS01, COLLET, OUTPUT	U28	TXI
13	1	170101	74LS02	I.C., 74LS02, QUAD, NOR	U31	TXI
14	5	170094	74LS04	I.C., 74LS04, HEX, INVERTER	U8, 33, 34, 48, 55	
15	3	170117	74LS08	I.C., 74LS08, QUAD, AND	U10, 26, 36	TXI
16	1	170124	74LS10	I.C., 74LS10, 3-INPUT, NAND	U29	TXI
17	1	170614	74LS138	I.C., 74LS138, 3:8 DECODER	U20	TXI
18	1	170269	74LS139	I.C., 74LS139, DUAL, 2-TO-4 LINE	U46	TXI
19	1	170557	74LS154	I.C., 74LS154	U1	MOT
20	3	170276	74LS157	I.C., 74LS157, QUAD, 2:1 MUX	U9, 18, 19	TXI
21	6	170559	74LS379	I.C., 74LS379	U2-7	TXI
22	2	170115	7407	I.C., 7407, HEX INVERTER	U25, 27	TXI
23	1	170232	74LS74	I.C., 74LS74	U30	TXI
24	3	170726	DG508ACJ	I.C., 508	U15, 16, 22	SNX
25	1	170727	DG506ACJ	I.C., 506	U21	SNX
26	1	170570	DG201ACJ	I.C., 201	U37	SNX

Assembly : 469915
Stock Number : 180248

ASSY, A11, LOG & SWITCH CONT

REV C3
05/01/86

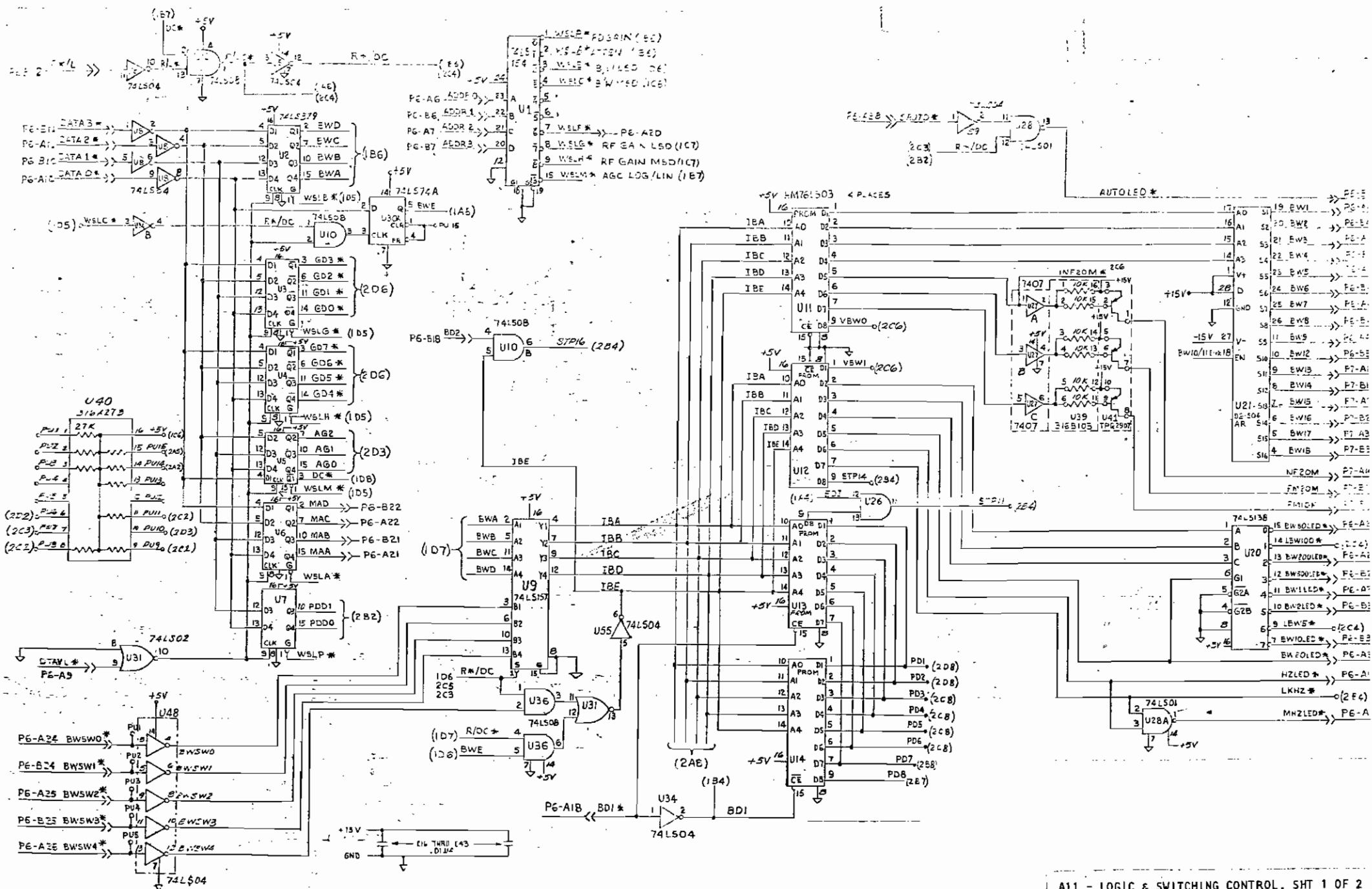
Item	Qty	Stk Num	Part Number	Description	Reference Desig.	Mfr
27	1	170692	314B102	RESIS PAK, 1 K, 5%, ISO, 16 DIP	U45	ALB
28	2	170713	316B103	RESIS PAK, 10 K, 5%, ISO, 16 PIN	U39, 42	ALB
29	1	170725	316A273	RESIS PAK, 27K, 5%, BUSS, 16 DIP	U40	ALB
30	1	170758	LM308N	I. C., 308	U47	NSC
31	1	171100	TPQ2222	TRANSIS, PAK	U44	SPG
32	2	171101	TPQ2907	TRANSIS, PAK	U41, 43	SPG
33	1	170699	LM556CN	I. C., 556, TIMER, DUAL	U23	NSC
34	1	170730	DAC100CCQ3	I. C., 100, D/A CONVERTER	U24	PMI
35	1	170619	LM358N	I. C., 358, DUAL OP-AMP, PLAS, 8 D	U49	NSC
36	2	172085	FSA2619M	DIODE PAK	U50, 51	FRS
37	32	154046	RPE12275U103M	CAP, CER, .01 UF, 100V	C4, 5, 6, C15-43	ERI
38	2	150004	CS13BE107K	CAP, TANT, 100 UF, 20V	C2, 3	SPG
39	1	150002	CS13BB337K	CAP, TANT, 330 UF, 6V	C1	SPG
40	3	154045	RPE12125U104M100V	CAP, CER, .1 UF, 100V	C8, 10, 11	ERI
42	1	163063	DM5EC300J	CAP, MICA, 30 PF	C7	ARC
43	2	154071	CK06BX105K	CAP, CER, 1 UF	C9, 14	AVX
44	4	150106	R25J200K	RES, C. FILM, 200K, 1/4W, 5%	R1, 8, 10, 13	ROM
45	1	150009	R25J100K	RES, C. FILM, 100K, 1/4W, 5%	R4	ROM
46	4	150030	R25J10M	RES, C. FILM, 10 M, 1/4W, 5%	R11, 14, 15, 16	ROM
47	1	150031	R25J1M	RES, C. FILM, 1M, 1/4W, 5%	R5	ROM
48	1	150038	R25J1.8K	RES, C. FILM, 1.8K, 1/4W, 5%	R17	ROM
49	1	150165	R25J68K	RES, C. FILM, 68K, 1/4W, 5%	R9	ROM
50	1	150055	R25J1.3K	RES, C. FILM, 1.3K, 1/4W, 5%	R12	ROM
51	1	150074	R25J510K	RES, C. FILM, 510K, 1/4W, 5%	R7, 20	ROM
52	1	150129	R25J13K	RES, C. FILM, 13K, 1/4W, 5%	R6	ROM
53	1	150020	R25J56K	RES, C. FILM, 56K, 1/4W, 5%	R2	ROM

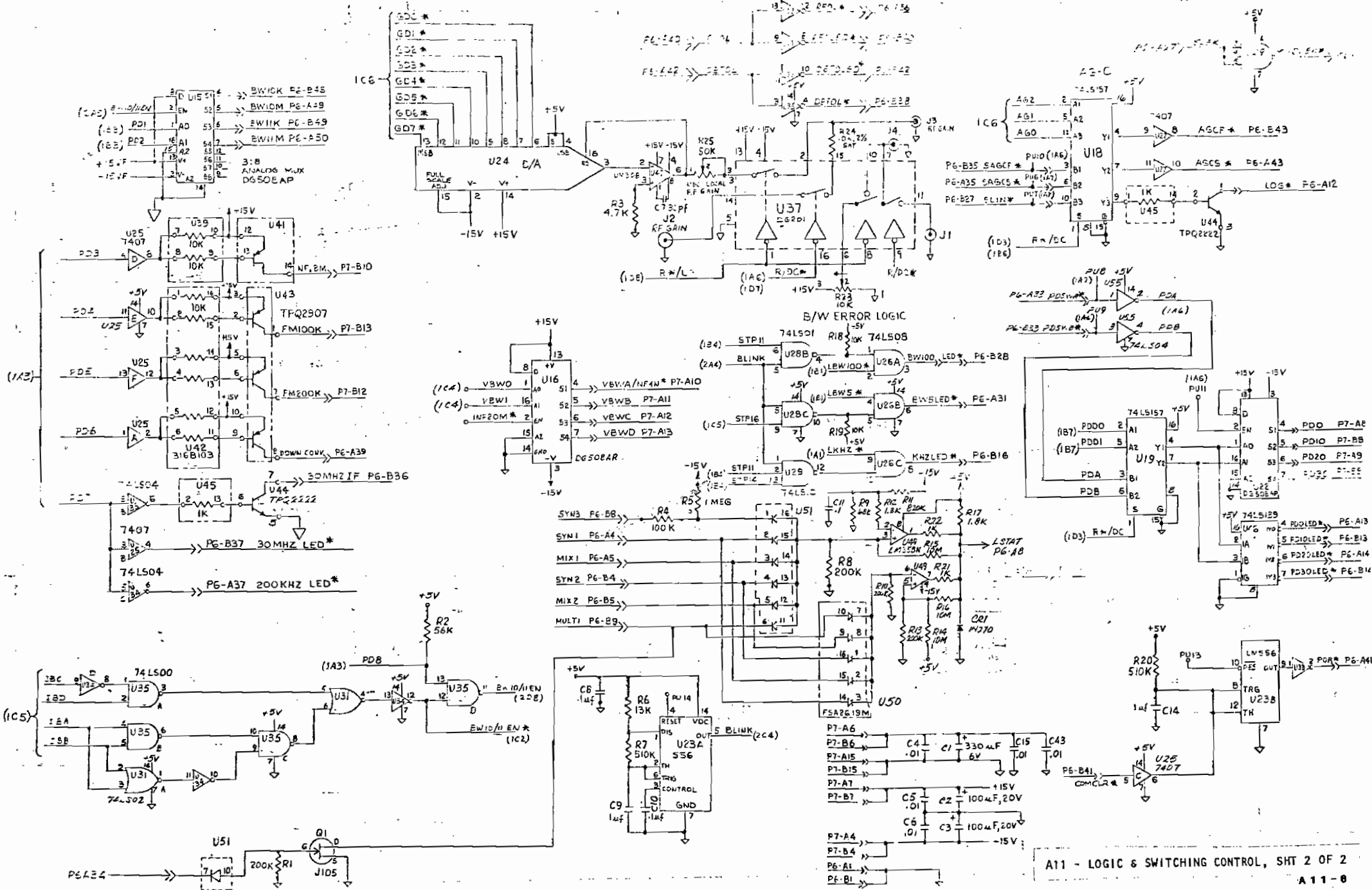
Assembly : 469915
Stock Number : 180248

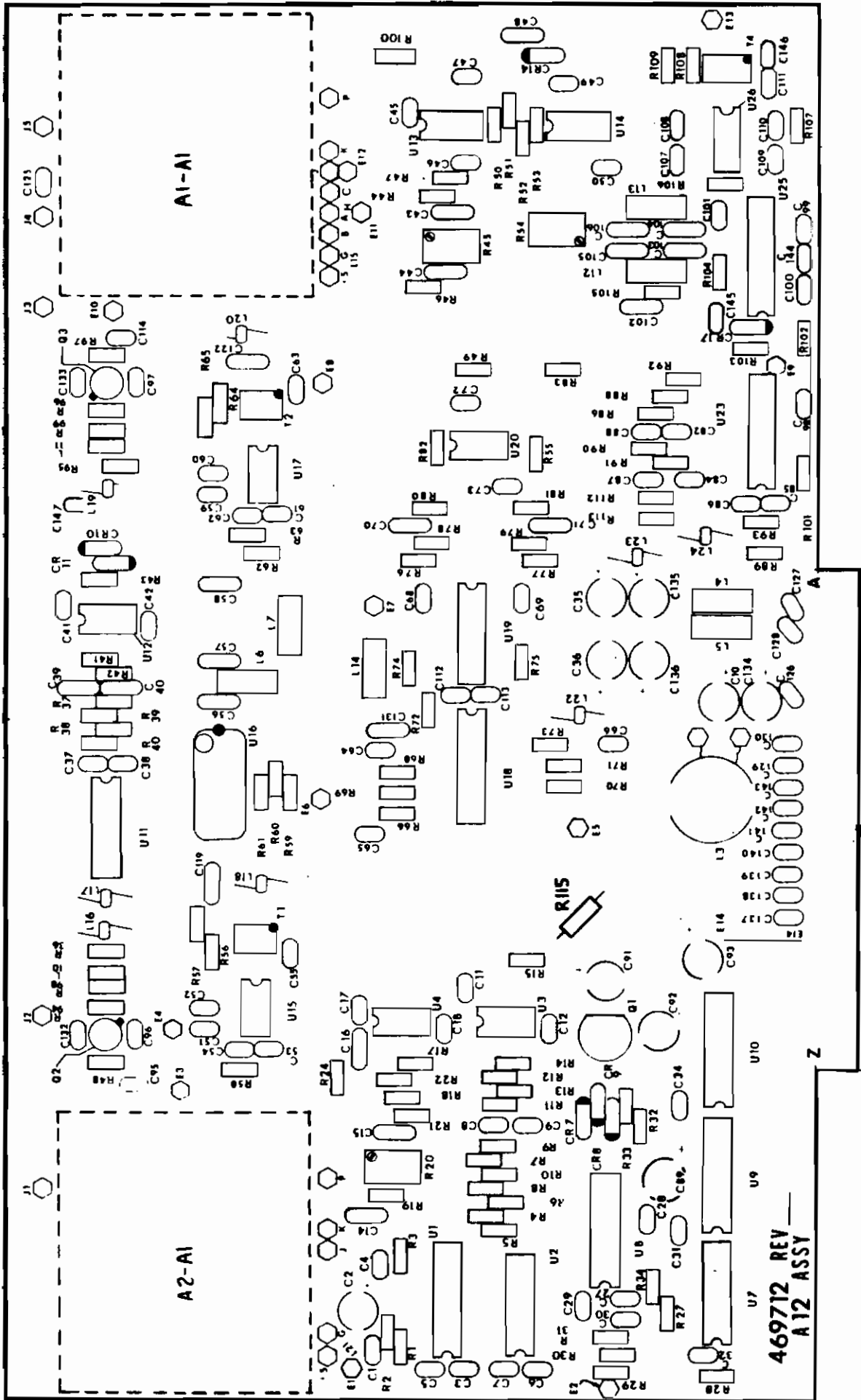
ASSY, A11, LOG & SWITCH CONT

REV C3
05/01/86

Item	Qty	Stk Num	Part Number	Description	Reference Desig.	Mfr
54	1	150006	R25J4.7K	RES, C. FILM, 4.7K, 1/4W, 5%	R3	R
55	1	171110	J-105	TRANSIS	Q1	SNX
58	2	125160	RG178 B/U	CABLE, COAX		ALC
59	4	120242	MS35338-135	WASHER, SPLITLOCK, #4		HPR
60	4	120164	MS51957-13	SCREW, PNHD, 4-40X1/4		HPR
61	4	121054	B1591-B-11	MOUNT, BLOCK		USE
63	2	150007	R25J10K	RES, C. FILM, 10K, 1/4W, 5%	R18, 19	ROM
64	1	172059	1N270	DIODE, GERMANIUM	CR1	MOT
65	2	150004	R25J1K	RES, C. FILM, 1K, 1/4W, 5%	R21, 22	ROM
66	1	153097	3292P-1-103	RES, TRIMPOT, CERMET, 10K	R23	BRN
67	1	179145	469486	ASSY, MOUNTING PLATES, A11		DSI







A1-A1

A2-A1

469712 REV
A12 ASSY

A12 SYNTHESIZER B (30-60 MHz)

Assembly : 469712
Stock Number : 180249

ASSY, A12, SYNTH 5, 30-50 MHZ

REV G2
05/01/86

Item	Qty	Stk Num	Part Number	Description	Reference Desig.	Mfr
1	1	147256	469702	P. C. , CARD, A12	A12	
3	4	121054	B1591-B-11	MOUNT, BLOCK		USE
6	2	180285	469905	ASSY, OSCILLATOR, A12-A1/A2		DSI
8	10	154047	RPE11375U105M50V	CAP, CER, 1 UF, 50V, 20X	C14, 15, 43, 44, 119, 122 , 144-147	ERI
9	2	158016	T368-C157-M006AS	CAP, TANT, 150 UF, 6V	C10, 134	KEM
11	1	163056	DM5FC121J	CAP, MICA, 120 PF	C103	ARC
12	2	154057	CK05BX152K	CAP, CER, 1500 PF	C102, 106	AVX
13	1	154059	CK05BX222K	CAP, CER, 2200 PF	C104	AVX
14	1	154060	CK05BX272K	CAP, CER, 2700 PF	C57	AVX
15	3	154053	CK05BX102K	CAP, CER, .001 UF	C56, 58, 131	AVX
16	7	163066	DM5FC331J	CAP, MICA, 330 PF	C8, 9, 39, 40, 70, 71, 105	ARC
17	9	158020	T368-C476-K020AS	CAP, TANT, 47 UF, 20V	C2, 35, 36, 89, 91-93, 13 5, 136	KEM
18	2	154055	CK05BX104K	CAP, CER, .10 UF, 50V	C47, 48	A
19	1	154073	CK06BX224K	CAP, CER, .22 UF	C16	AVX
20	48	154045	RPE12175U104M100V	CAP, CER, .1 UF, 100V	C3-7, 11, 12, 17, 18, 28, C30-32, 34, 41, 42, 45, C46, 49-55, 59-66, 72, C73, 85, 86, 99-101, C107-113, 148	ERI
21	31	154044	RPE11075U103M100V	CAP, CER, .01 UF, 100V	C1, 27, 29, 37, 38, 66, 69 , 82, 84, 87, 88, 95-98, 114, 125-130, 132, 133, 137-143	ERI
24	1	150097	R25J240	RES, C. FILM, 240 HMS, 1/4W, 5%	R33	ROM
25	1	150154	R25J910	RES, C. FILM, 910 HMS, 1/4W, 5%	R32	ROM
26	6	150037	R25J1.5K	RES, C. FILM, 1.5K, 1/4W, 5%	R28, 29, 34, 70, 88, 91	ROM
27	7	150061	R25J680	RES, C. FILM, 680 HMS, 1/4W, 5%	R3, 27, 30, 31, 71, 86, 90	ROM
28	4	150004	R25J1K	RES, C. FILM, 1K, 1/4W, 5%	R89, 93, 112, 113	ROM

Assembly : 469712
Stock Number : 180249

ASSY, A12, SYNTH 5, 30-50 MHZ

REV G2
05/01/86

Item	Qty	Stk Num	Part Number	Description	Reference Desig.	Mfr
29	4	150002	R25J330	RES, C. FILM, 330 HMS, 1/4W, 5%	R36, 94, 95, 96	ROM
30	5	150007	R25J10K	RES, C. FILM, 10K, 1/4W, 5%	R10, 43, 44, 46, 51	ROM
31	2	150058	R25J51K	RES, C. FILM, 51K, 1/4W, 5%	R115, 83	ROM
32	6	150094	R25J5. 1K	RES, C. FILM, 5. 1K, 1/4W, 5%	R17, 55, 58, 63, 82, 107	ROM
33	4	150067	R25J2. 4K	RES, C. FILM, 2. 4K, 1/4W, 5%	R37, 39, 41, 42	ROM
34	3	150081	R25J51	RES, C. FILM, 51 HMS, 1/4W, 5%	R62, 68, 106	ROM
35	1	150038	R25J1. 8K	RES, C. FILM, 1. 8K, 1/4W, 5%	R2	ROM
36	13	150026	R25J560	RES, C. FILM, 560 HMS, 1/4W, 5%	R4-6, 8, 10, 38, 42, 72-77	ROM
37	4	150147	R25J510	RES, C. FILM, 510 HMS, 1/4W, 5%	R1, 66, 92, 101	ROM
38	1	150128	R25J130	RES, C. FILM, 130 HMS, 1/4W, 5%	R60	ROM
39	2	150034	R25J150	RES, C. COMP, 150 HMS, 1/4W, 5%	R48, 97	ROM
40	1	150063	R25J2. 2M	RES, C. FILM, 2. 2M, 1/4W, 5%	R53	ROM
41	1	148163	C420K2X	RES, MF, 20K, 1/4W2X, 100PPM, RL07	R49	CGE
42	2	148129	C4750R2X	RES, MF, 750. 1/4W2X, 100PPM, RL07	R22, 50	CGE
43	1	150009	R25J100K	RES, C. FILM, 100K, 1/4W, 5%	R52	ROM
44	3	150107	R25J200	RES, C. FILM, 200 HMS, 1/4W, 5%	R56, 64, 108	ROM
45	3	150022	R25J100	RES, C. FILM, 100 HMS, 1/4W, 5%	R57, 65, 109	ROM
46	2	150092	R25J68	RES, C. FILM, 68 HMS, 1/4W, 5%	R59, 61	ROM
47	1	150065	R25J120	RES, C. FILM, 120 HMS, 1/4W, 5%	R104	ROM
48	1	150149	R25J62	RES, C. FILM, 62 HMS, 1/4W, 5%	R105	ROM
49	3	150003	R25J470	RES, C. FILM, 470 HMS, 1/4W, 5%	R98, 99, 102	ROM
50	1	150116	R25J56	RES, C. FILM, 56 HMS, 1/4W, 5%	R103	ROM
52	3	153071	3299W-1-103K	RES, ADJ, 10K	R20, 45, 54	BRN
53	2	150053	R25J10	RES, C. FILM, 10 HMS, 1/4W, 5%	R24, 100	ROM
55	7	172010	1N914	DIODE, SILICON, D035	CR7-11, 14, 17	MCT

Assembly : 469712
Stock Number : 180249

ASSY, A12, SYNTH 5, 30-50 MHZ

REV G2
05/01/86

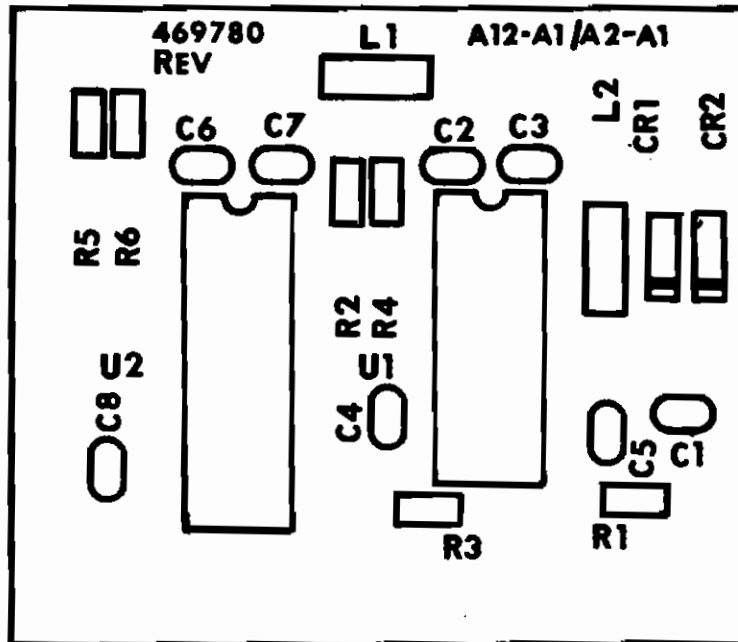
Item	Qty	Stk Num	Part Number	Description	Reference Desig.	Mfr
57	2	166011	RFC-S-5.6	INDUCTOR, 5.6 UH	L6, 7	
58	1	166026	RFC-S-2.2	INDUCTOR, 2.2 UH	L13	NYT
59	2	166007	RFC-S-1.0	INDUCTOR, 1 UH	L10, 11	NYT
60	2	166015	WD-10	INDUCTOR, 10 UH	L4, 5	NYT
61	1	134089	472113D	ASSY, INDUCTOR/TRANSFORMER, TAB	L3 (USE 472113-6)	DSI
62	1	166019	WD-2.2	INDUCTOR, 2.2 UH	L14	NYT
63	1	166009	RFC-S-1.8	INDUCTOR, 1.8 UH	L12	NYT
64	10	165008	2673-000101	CORE, BEAD, CHOKE	L15-24	MIM
66	3	134039	T13-1T	TRANSFORMER	T1, 2, 4	MCL
68	1	171089	2N5771	TRANSIS	Q1	FRS
69	2	171083	2N4416	TRANSIS, FET	Q2, 3	MOT
71	3	170598	MC12040P	I. C., 12040	U2, 11, 19	MOT
72	1	170607	MC1741NCP1	I. C., 741, PLAS, OP-AMP, 8 DIP	U12	MOT
73	5	170586	LF355N	I. C., 355, FET OP-AMP, PLAS, 8 DIP	U3, 4, 13, 14, 20	
74	3	170596	MC10102P	I. C., 10102, PLASTIC	U1, 10, 23	MOT
75	1	170659	SN74LS02J	I. C., 74LS02, CER	U7	TXI
76	1	170702	SP8647B	I. C., DIVIDER	U25	PLS
77	1	170704	SP8720B	I. C., DIVIDER	U8	PLS
78	1	170895	SN74ALS168BN	IC, SYNCH BIN UP/DWN 4 BIT CNTR	U9	TXI
79	1	170896	SN74ALS169BN	IC, SYNCH BIN UP/DWN 4 BIT CNTR	U10	TXI
80	3	170600	MC1350P	I. C., 1350	U15, 17, 26	MOT
81	1	161023	SRA-1	MIXER, DOUBLE, BAL	U16	MCL
84	1	125160	RG178 B/U	CABLE, COAX		ALC
85	4	125162	UT.034TP	CABLE, COAX, .035DIA		CAS
88	7	141225	516-AG-10D	SOCKET, 16 PIN, I. C.		AUG
89	1	141223	514-AG-10D	SOCKET, 14 PIN, I. C.		AUG

Assembly : 469712
Stock Number : 180249

ASSY, A12, SYNTH 5, 30-50 MHZ

REV G2
05/01/86

Item	Qty	Stk Num	Part Number	Description	Reference Desig.	Mfr
90	9	141213	508-AG-10D	SOCKET, 8 PIN, IC		ALG
93	2	179093	469907	ASSY, OSC, CAN COVER, A12-A1&A2		DSI
94	6	120271	8104-B-0440-28	STANDOFF, 4/40, HEX, 3/8, F/F		AMA
95	6	120160	MS51957-12	SCREW, PNHD, 4/40, 3/16		HPR
96	2	130277	469400-17	SHIELD, R. F.		DSI
97	4	130278	469400-16	SHIELD, R. F.		DSI
98	4	120164	MS51957-13	SCREW, PNHD, 4-40X1/4		HPR
99	4	120242	MS35338-135	WASHER, SPLITLOCK, #4		HPR
100	1	150018	R25J470K	RES. C. FILM, 470 K, 1/4W, 5%	R15	ROM
101	1	150036	R25J1.2K	RES. C. FILM, 1.2K, 1/4W, 5%	R69	ROM
102	3	148156	C410K2%	RES. MF, 10K, 1/4W2%, 100PPM, RL07	R19, 21, 47	CGE
103	2	148173	C451K2%	RES. MF, 51K, 1/4W2%, 100PPM, RL07	R13, 14	CGE
104	8	148141	C42.4K2%	RES. MF, 2.4K, 1/4W2%, 100PPM, RL07	R7, 9, 11, 12, 78-81	CGE
105	1	179146	469487	ASSY, MOUNTING PLATES, A12		DSI
106	1	134128	472003	ASSY, INDUCTOR, TOROID	L25	DSI
107	1	111039	4016-5	TAPE, FOAM, DOUBLE SIDED, 1/2 IN		MMK



A12-A1/A2

A12-6

Assembly : 469905
Stock Number : 180285

ASSY, OSCILLATOR, A12-A1/A2

REV B1
05/01/86

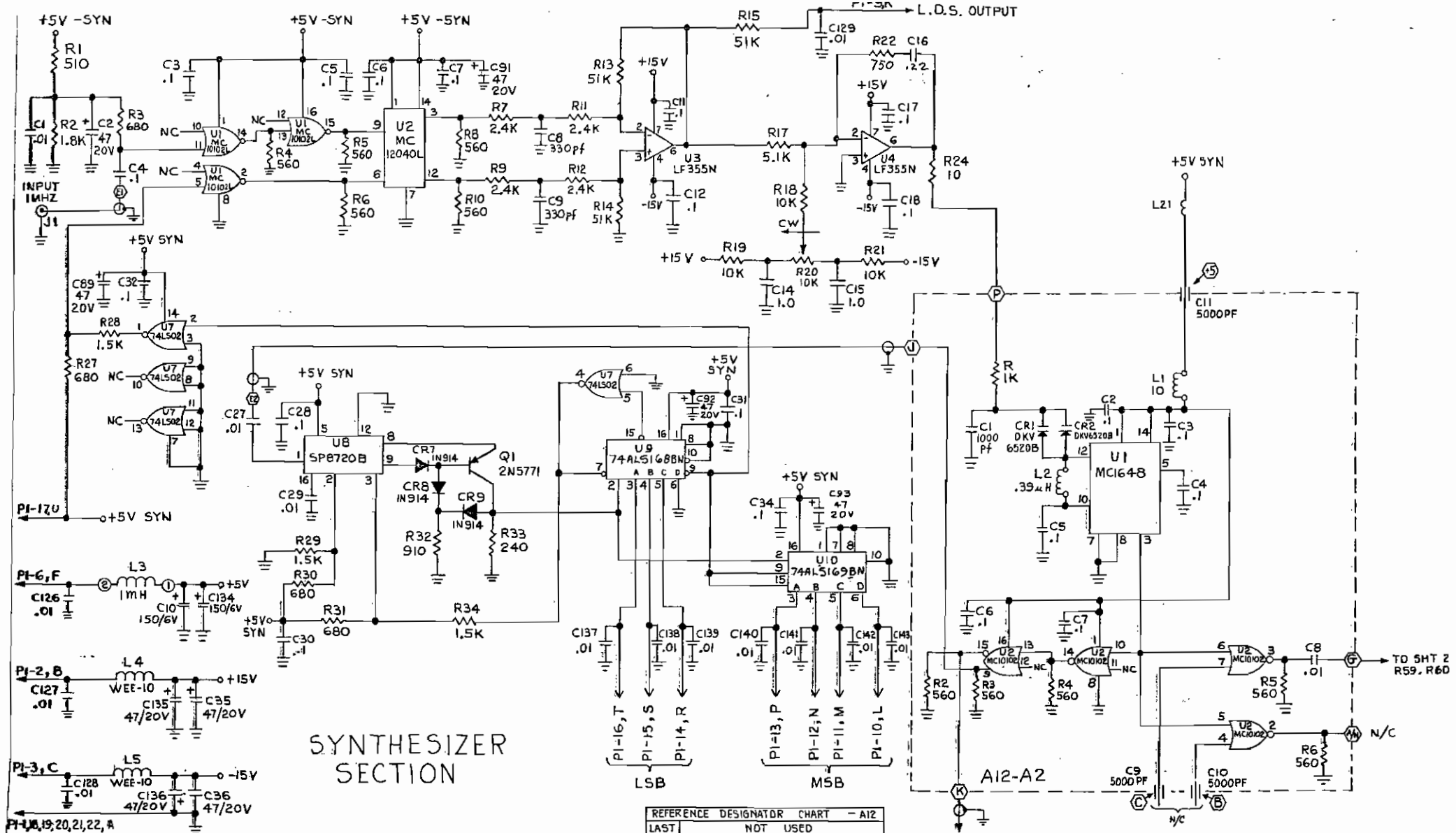
Item	Qty	Stk Num	Part Number	Description	Reference Desig.	Mfr
1	1	180264	469780	ASSY, A12-A2		DSI
15	3	120165	MS51957-14	SCREW, PNHD, 4/40X5/16, PHL, CD, ZN		HPR
16	2	129031	1245	TAPE, COPPER EMBOSSED, 5"WIDE		MMM
17	1	129025	469907-1	FAB, COVER, CAN, DEEP DRAWN		DSI
18	2	129027	469906	FAB, CAN, DEEP DRAWN, BRASS		DSI

Assembly : 469780
Stock Number : 180264

ASSY, A12-A2

REV C2
05/01/86

Item	Qty	Stk Num	Part Number	Description	Reference Desig.	Mfr
1	1	147244	469904	P. C. , CARD, A12-A2/A3		J
5	3	120263	KF2-440	FASTENER, SOLDERABLE		PEM
10	1	154053	CK05BX102K	CAP, CER, .001 UF	C1	AVX
11	1	154044	RPE11075U103M100V	CAP, CER, .01 UF, 100V	C8	ERI
12	6	154045	RPE12175U104M100V	CAP, CER, .1 UF, 100V	C2-7	ERI
14	2	172084	DKV6520B	DIODE, VARICAP	CR1, 2	ALI
16	1	166006	RFC-S-.39	INDUCTOR, .39 UH	L2	NYT
17	1	166015	WD-10	INDUCTOR, 10 UH	L1	NYT
19	5	150026	R25J560	RES. C. FILM, 560 HMS, 1/4W, 5%	R2-6	ROM
20	1	150004	R25J1K	RES. C. FILM, 1K, 1/4W, 5%	R1	ROM
22	1	170596	MC10102P	I. C. , 10102, PLASTIC	U2	MDT
23	1	170604	MC164B	I. C. , 164B	U1	MOT
25	24	125311	E26-126-9	WIRE, 26 GA, SOLID, WHITE		PIW
26	1	129027	469906	FAB, CAN, DEEP DRAWN, BRASS		D
27	5	142041	AA-40W-PP	TERMINAL, FEED THRU		EID
28	3	162004	ZS1C2-502H	CAP, FEEDTHRU, 5000 PF		USE
29	3	120255	NAS620C4	WASHER, FLAT, #4		HPR
30	6	120164	MS51957-13	SCREW, PNHD, 4-40X1/4		HPR
31	3	120271	8104-B-0440-28	STANDOFF, 4/40, HEX, 3/8, F/F		AMA

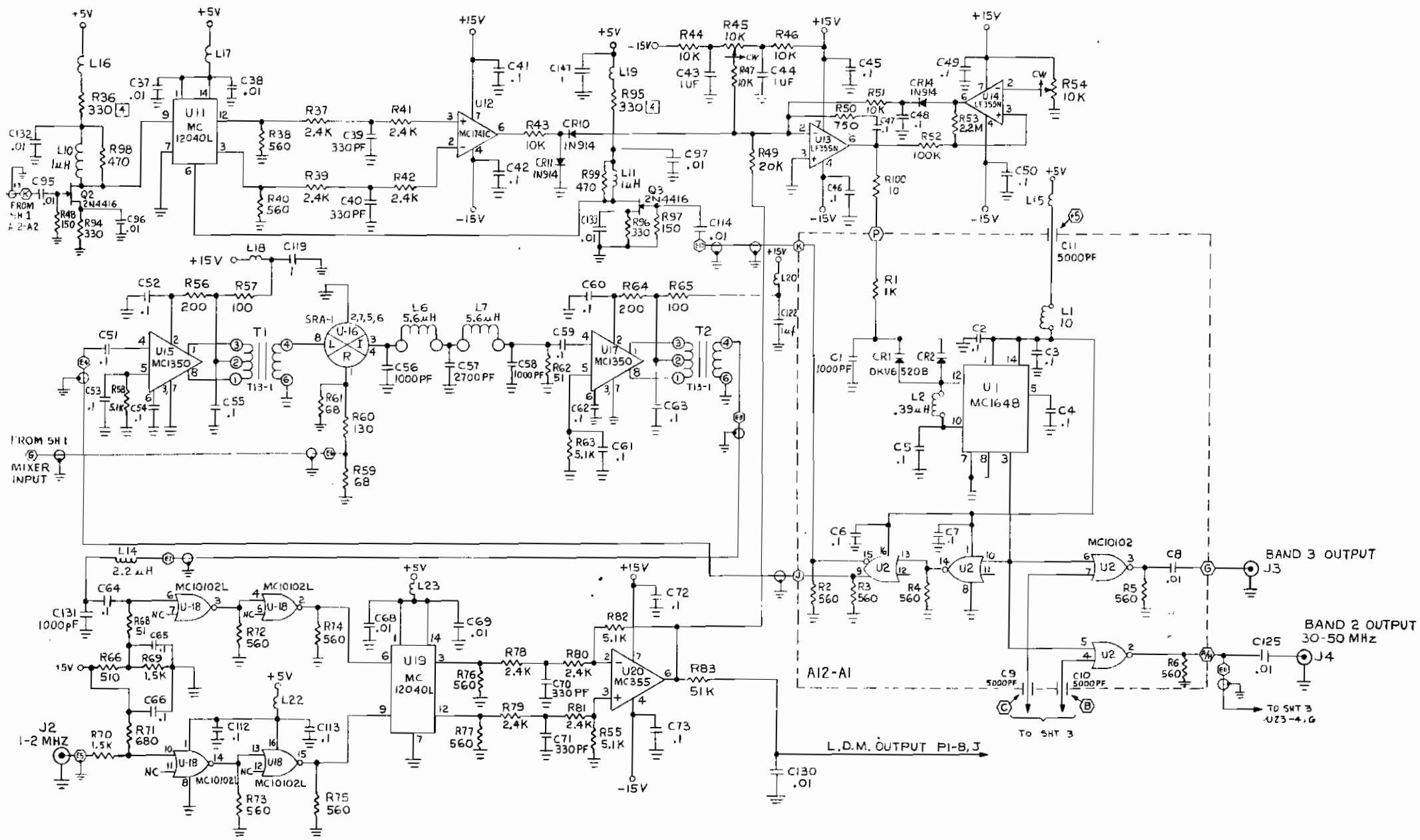


SYNTHESIZER SECTION

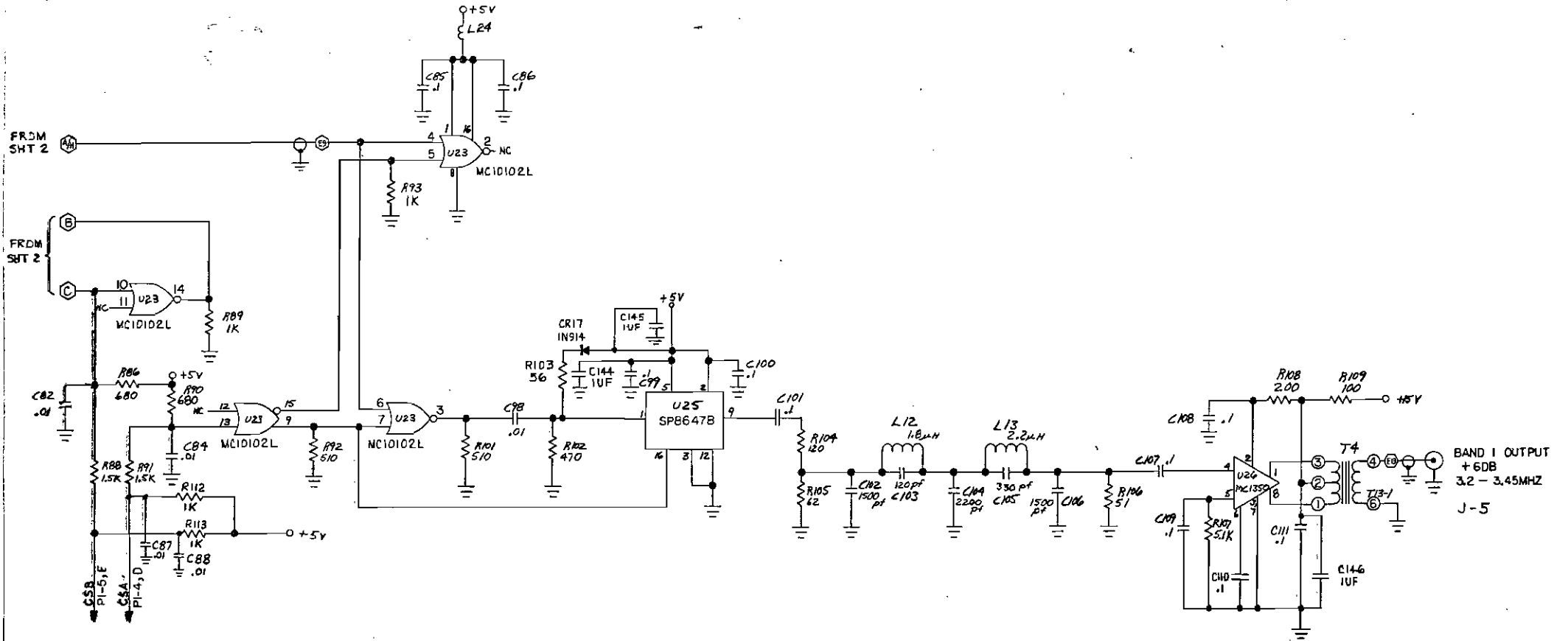
REFERENCE DESIGNATOR CHART - A12	
LAST	NOT USED
C147	C15, 19-26, 33, 47, 78, 83, 90, 94, 105-118, 120, 121, 123, 124
CR17	CR1, 2-6, 12, 13, 15, 16
J5	
L24	L1, 2, 8, 9
Q3	
R113	R16, 23, 25, 26, 35, 67, 84, 85, 87, 110, 111
T4	T3
U26	U5, 6, 21, 22, 24

1. INSTALL VALUE SHOWN; COMPONENT MAY BE SELECTED AT TEST
 2. FOR ARTWORK SEE 4-69702.
 3. ALL CAPACITOR VALUES ARE IN MICROFARADS.
 4. ALL RESISTOR VALUES ARE IN OHMS.
 NOTES: UNLESS OTHERWISE SPECIFIED

A12 - SYNTHESIZER 5 (30 - 50 MHZ), SHT 1 OF 3

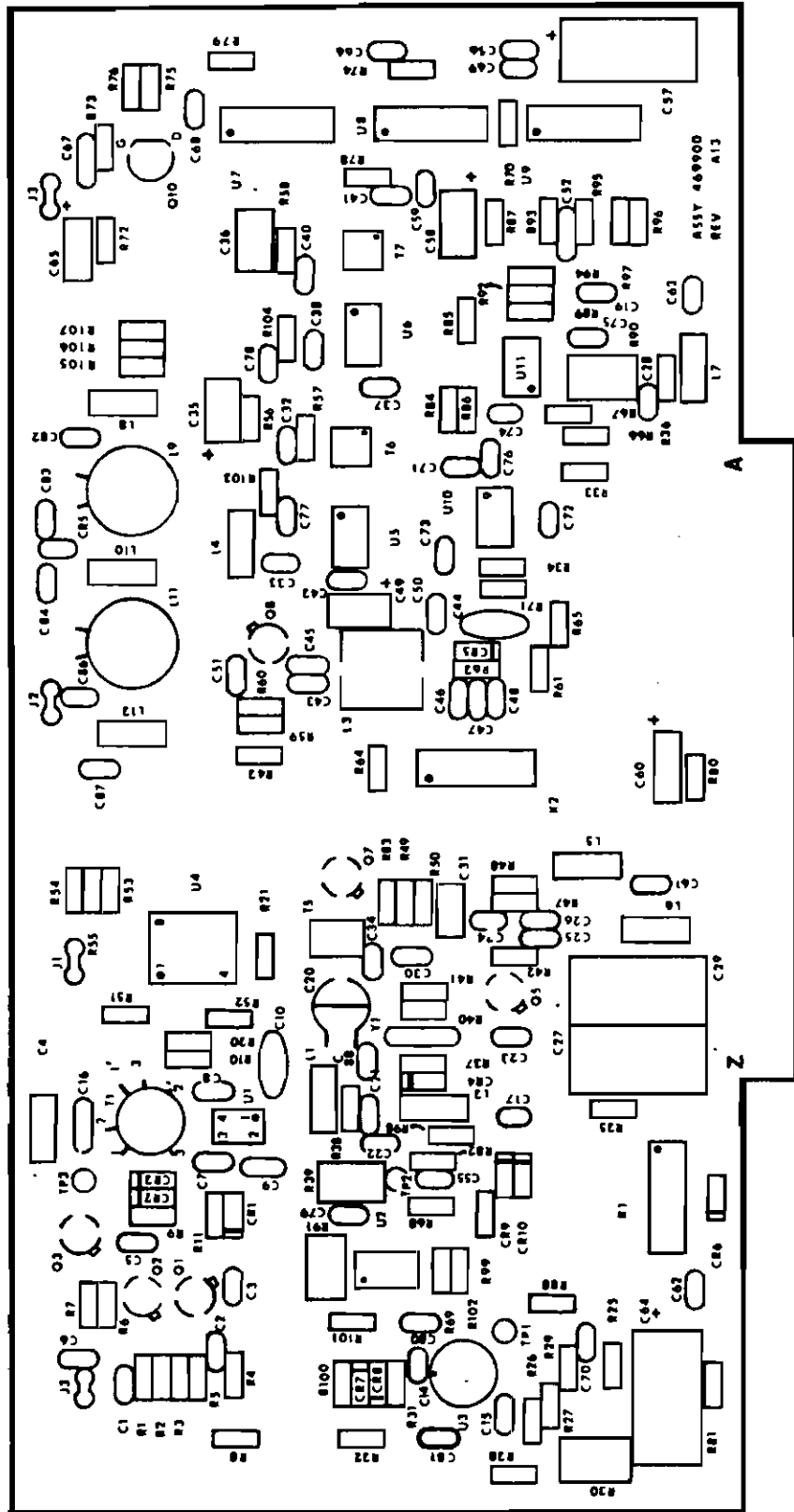


MIXER SECTION



BAND	CSB	CSA
1	1	0
2	1	1
3	0	1

A12 - SYNTHESIZER 5 (30 - 50 MHZ), SHT 3 OF 3



A13 SYNTHESIZER 1 (82 & 126 MHz)

Assembly : 469900
 Stock Number : 180277

ASSY, A13, SYNTH 1, 32 & 125 MHZ

REV F
 05/01/86

Item	Qty	Stk Num	Part Number	Description	Reference Desig.	Mfr
1	1	147243	469901	P. C. , CARD, A13		SI
3	1	130260	469400-3	SHIELD, R. F.		DSI
4	1	130264	469400-7	SHIELD, R. F.		DSI
5	1	130263	469400-6	SHIELD, R. F.		DSI
7	3	121054	B1591-B-11	MDUNT, BLOCK		USE
9	1	130262	469400-5	SHIELD, R. F.		DSI
10	1	130237	469798	COVER, SHIELD, RF		DSI
14	25	154044	RPE110Z5U103M100V	CAP, CER, .01 UF, 100V	C1-3, 6, 14, 15, 17, 28, 42, 56, 59, 61-63, 66, 68 , 69, 70, 72-78	ERI
15	1	158005	CS13BE156K	CAP, TANT, 15 UF, 20V	C4	SPG
16	1	163066	DM5FC331J	CAP, MICA, 330 PF	C5	ARC
17	5	163052	DM5CC100J	CAP, MICA, 10 PF	C7, 8, 16, 37, 47	ARC
18	1	163072	DM5EC510J	CAP, MICA, 51 PF	C9	ARC
19	1	163019	DM15-102J	CAP, MICA, 1000 PF	C10	
20	2	154053	CK05BX102K	CAP, CER, .001 UF	C22, 24	AVX
21	1	163045	DM5FA201J	CAP, MICA, 200 PF	C81	ARC
22	1	164005	187-0103-005	CAP, ADJ, 1. 3-5. 4PF	C20	EFJ
23	2	163059	DM5CC200J	CAP, MICA, 20 PF	C21, 23	ARC
24	1	163050	DM5CC050D	CAP, MICA, 5 PF	C25	ARC
25	1	163049	DM5CC020D	CAP, MICA, 2 PF, 300V	C26	ARC
26	1	163082	DM5FY391J	CAP, MICA, 390 PF	C19	ARC
27	8	154043	RPE121COG102J100V	CAP, CER, .001 UF, 100V	C30, 32, 33, 34, 38, 40, 50, 51	ERI
28	1	163001	DM10-391J	CAP, MICA, 390 PF	C52	ARC
30	7	158008	CS13BF105K	CAP, TANT, 1 UF, 35V	C31, 35, 36, 49, 58, 60, C65	SPG
31	1	163028	DM15-471J	CAP, MICA, 470 PF	C41	ARC

Assembly : 469900
Stock Number : 180277

ASSY, A13, SYNTH 1, 32 & 125 MHZ

REV F
05/01/86

Item	Qty	Stk Num	Part Number	Description	Reference Desig.	Mfr
32	1	163048	DM5CC010D	CAP, MICA, 1 PF	C43	ARC
33	2	163054	DM5FC111J	CAP, MICA, 110 PF	C45, 48	ARC
34	1	163070	DM5EC470J	CAP, MICA, 47 PF	C46	ARC
35	2	154054	CK05BX103K	CAP, CER, .01 UF, 100V	C55, C71	AVX
36	3	158004	CS13BE107K	CAP, TANT, 100 UF, 20V	C27, 29, 57	SPG
37	1	158002	CS13BR337K	CAP, TANT, 330 UF, 6V	C64	SPG
38	1	163015	DM10-510J	CAP, MICA, 51 PF	C44	ARC
39	1	154048	RPE12275U103M	CAP, CER, .01 UF, 100V	C67	ERI
40	2	154049	RPE12275U104M100V	CAP, CER, .1 UF, 100V	C79, 80	ERI
41	2	172071	1N751A	DIODE, ZENER, 5.1V, .4W, 5X	CR9, 10	MOT
42	4	172010	1N914	DIODE, SILICON, D035	CR1, 6-8	MOT
43	1	172076	5082-0180	DIODE, SILICON	CR2	HEW
44	1	172081	5082-2835	DIODE, SILICON	CR3	HEW
45	2	172084	DKV6520B	DIODE, VARICAP	CR4, 5	ALI
47	2	145073	PRMA-10037	RELAY, SPST	K1, 2	CPC
48	1	134113	472102D	ASSY, INDUCTOR, TABULATED	L3 (USE 472102-30)	DSI
49	1	166001	RFC-S-.1	INDUCTOR, .10 UH	L1*	NYT
50	1	166020	WD-47	INDUCTOR, 47 UH	L4	NYT
51	3	166015	WD-10	INDUCTOR, 10 UH	L5, 6, 7	NYT
52	1	166003	RFC-S-.15	INDUCTOR, .15 UH	L2	NYT
53	1	171076	2N2907A	TRANSIS, PNP	Q1	MOT
54	2	171073	2N2369A	TRANSIS, NPN	Q2, 3	MOT
55	1	171087	2N5179	TRANSIS, NPN	Q8	MOT
56	1	171090	AT-0025	TRANSIS, NPN	Q5	AVN
58	1	171097	MPF820	TRANSIS, FET	Q10	MOT
59	1	150040	R25J3.3K	RES, C. FILM, 3.3K, 1/4W, 5X	R74	ROM

Assembly : 469900
Stock Number : 180277

ASSY, A13, SYNTH 1, 32 & 125 MHZ

REV F
05/01/86

Item	Qty	Stk Num	Part Number	Description	Reference Desig.	Mfr
60	1	152030	TG-1/8, 4.7K	THERMISTER, 4.7K	R82	TXI
61	2	153072	3299W-1-104K	RES, ADJ, 100K	R90, 91	BRN
62	1	150106	R25J200K	RES, C. FILM, 200K, 1/4W, 5X	R73	ROM
63	1	153071	3299W-1-103K	RES, ADJ, 10K	R30	BRN
64	1	153077	3299W-1-503K	RES, ADJ, 50K	R39	BRN
65	1	148029	RL07S512G	RES, M. FILM, 5.1K, 2X	R37	CGE
66	3	150060	R25J2K	RES, C. FILM, 2K, 1/4W, 5X	R1, 57, 78	ROM
67	2	150039	R25J15K	RES, C. FILM, 15K, 1/4W, 5X	R2, 3	ROM
68	2	150138	R25J3K	RES, C. FILM, 3K, 1/4W, 5X	R4, 5	ROM
69	2	150072	R25J3.9K	RES, C. FILM, 3.9K, 1/4W, 5X	R6, 63	ROM
70	1	150036	R25J1.2K	RES, C. FILM, 1.2K, 1/4W, 5X	R7	ROM
71	1	150133	R25J22	RES, C. FILM, 22 HMS, 1/4W, 5X	R8	ROM
72	1	150037	R25J1.5K	RES, C. FILM, 1.5K, 1/4W, 5X	R100	ROM
73	2	150053	R25J10	RES, C. FILM, 10 HMS, 1/4W, 5X	R49, 70	ROM
75	3	150058	R25J51K	RES, C. FILM, 51K, 1/4W, 5X	R76, 86, 88	ROM
76	4	150007	R25J10K	RES, C. FILM, 10K, 1/4W, 5X	R20, 61, 62, 65	ROM
77	2	148204	CT41M2X	RES, MF, 1M, 1/4W2X, 100PPM, RL07	R31, 101	CGE
78	2	150149	R25J62	RES, C. FILM, 62 HMS, 1/4W, 5X	R21, 51	ROM
80	1	150081	R25J51	RES, C. FILM, 51 HMS, 1/4W, 5X	R80	ROM
81	1	150135	R25J2.7	RES, C. FILM, 2.7 HMS, 1/4W, 5X	R81	ROM
82	1	150125	R25J11K	RES, C. FILM, 11K, 1/4W, 5X	R84	ROM
83	4	150078	R25J20K	RES, C. FILM, 20K, 1/4W, 5X	R40, 41, 47, 48	ROM
84	2	150097	R25J240	RES, C. FILM, 240 HMS, 1/4W, 5X	R50, 52	ROM
85	2	150137	R25J300	RES, C. FILM, 300 HMS, 1/4W, 5X	R53, 54	ROM
86	2	150134	R25J24	RES, C. FILM, 24 HMS, 1/4W, 5X	R35, 36	ROM
87	5	150004	R25J1K	RES, C. FILM, 1K, 1/4W, 5X	R9-11, 60, 79	ROM

Assembly : 469900
Stock Number : 180277

ASSY, A13, SYNTH 1, 32 & 125 MHZ

REV F
05/01/86

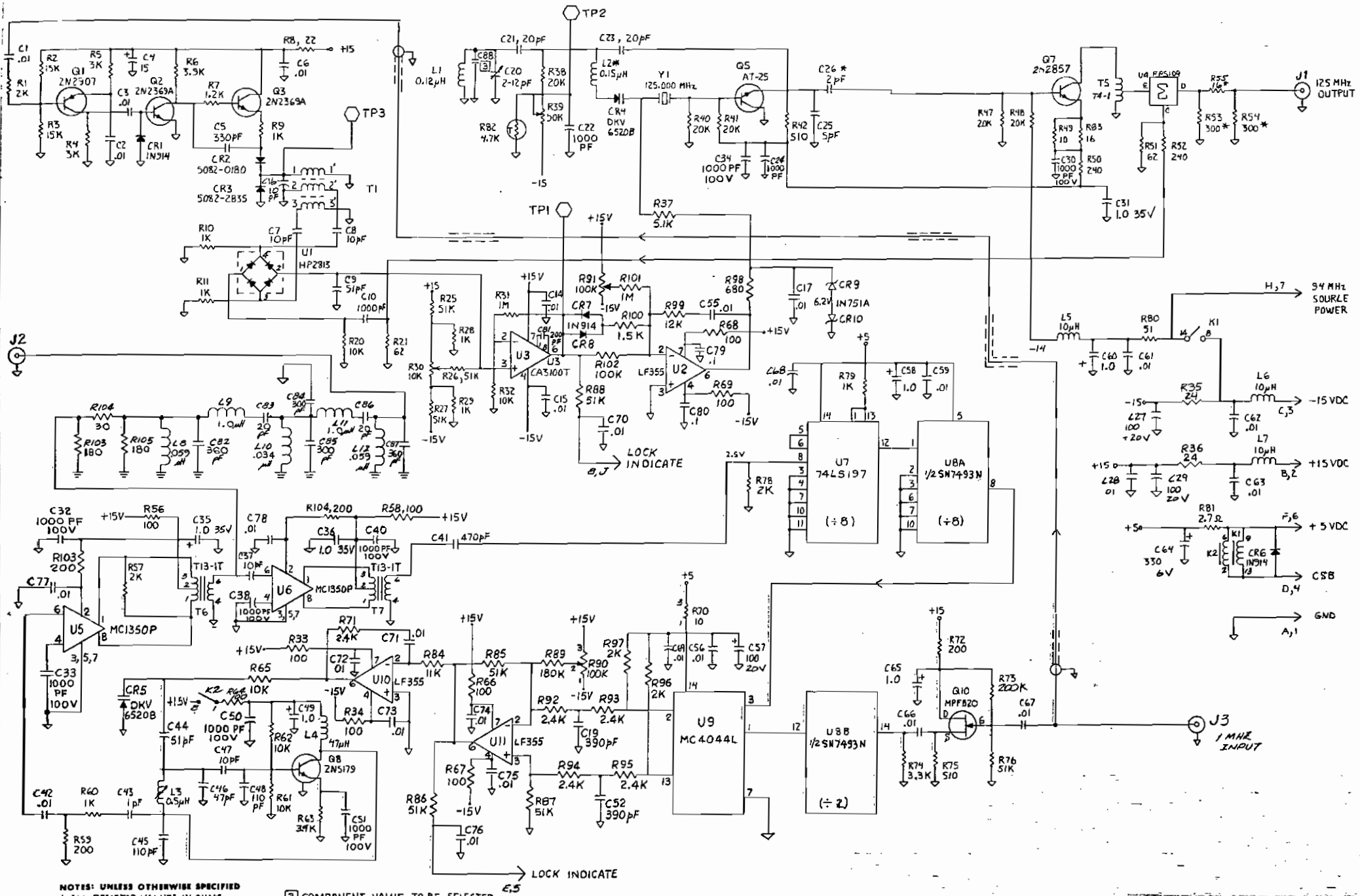
Item	Qty	Stk Num	Part Number	Description	Reference Desig.	Mfr
88	1	148014	RL07S203G	RES, M. FILM, 20K, 2%	R38	CGE
90	4	150107	R25J200	RES, C. FILM, 200 HMS, 1/4W, 5%	R59, 72, 103, 104	ROM
91	2	150147	R25J510	RES, C. FILM, 510 HMS, 1/4W, 5%	R42, 75	ROM
92	2	150131	R25J16	RES, C. FILM, 16 HMS, 1/4W, 5%	R55, 83	ROM
94	9	150022	R25J100	RES, C. FILM, 100 HMS, 1/4W, 5%	R33, 34, 56, 58, 64, 66-69	ROM
95	1	134040	T4-1	TRANSFORMER	T5	MCL
96	1	171115	2N2657	TRANSIS, NPN	Q7	MDT
97	1	172080	5062-2813	DIODE, BRIDGE	U1	HEW
98	1	161018	FPS-109	POWER, DIVIDER	U4	MCL
99	1	170568	CA3100T	I. C., 3100	U3	RCA
100	1	170668	SN74LS197J	I. C., 74LS197, CER	U7	TXI
101	2	170600	MC1350P	I. C., 1350	U5, 6	MGT
102	1	170947	SN7493N	I. C., 4 BIT, BINARY COUNTER	U8	TXI
103	1	170609	MC4044P	I. C., 4044	U9	MGT
104	3	170586	LF355N	I. C., 355, FET OP-AMP, PLAS, 8 DIP	U2, 10, 11	NSC
105	1	174002	396-1C/125.003MHZ	CRYSTAL, 125.003 MHZ	Y1	PZC
107	1	134063	472108-1, 2	ASSY, TRANSFORMER, TABULATED	T1 (USE 472108-1)	DSI
108	2	134039	T13-1T	TRANSFORMER	T6, 7	MCL
111	5	141213	508-AG-10D	SOCKET, 8 PIN, IC	U2, 5, 6, 10, 11	AUG
112	3	141223	514-AG-10D	SOCKET, 14 PIN, I. C.	U7-9	AUG
114	3	142027	450-7004-01-03-00	JACK	TP1-3	CAM
116	1	125162	UT. 034TP	CABLE, COAX, .035DIA		CAS
119	3	120164	MS51957-13	SCREW, PNHD, 4-40X1/4		HPR
122	2	120211	2707-18550-N116	WASHER, NYLON, SHLDR, 5/16		AMA
123	4	120206	2258-N171	WASHER, FLAT, INSULATING, #8		AMA

Assembly : 469900
 Stock Number : 180277

ASSY, A13, SYNTH 1, 32 & 125 MHZ

REV F
 05/01/86

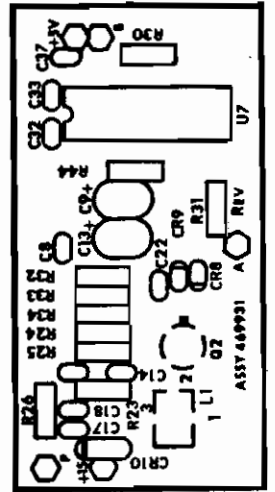
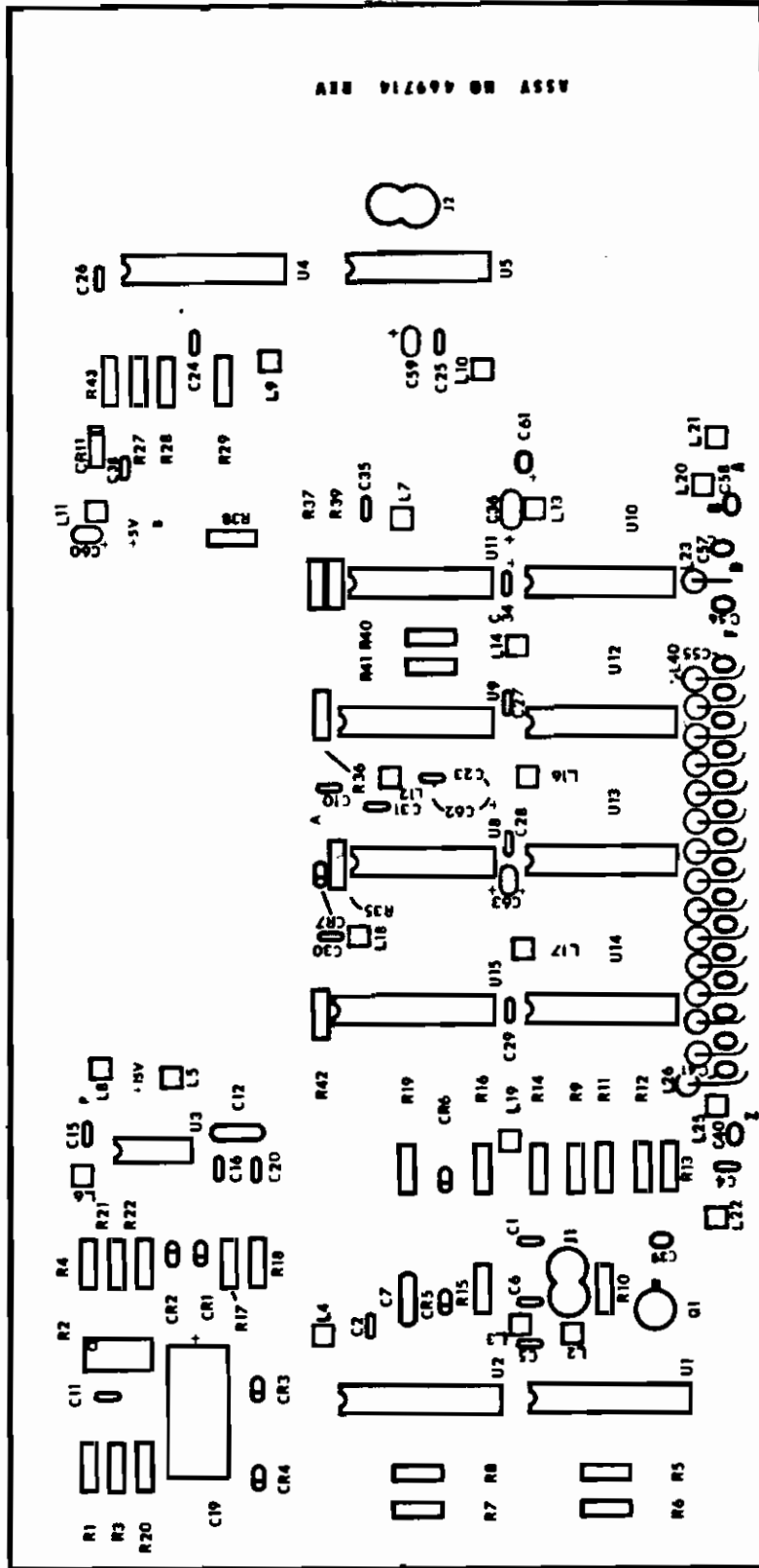
Item	Qty	Stk Num	Part Number	Description	Reference Desig.	Mfr
124	3	120242	MS35338-135	WASHER, SPLITLOCK, #4		HAR
127	1	120204	2502	SCREW, PNHD, 4/40, 1/2		HHS
128	1	120208	2554	NUT, HEX, NYLON, 4/40		HHS
129	2	120207	2505	SCREW, PNHD, 6/32, 1/2		HHS
130	2	120209	2555	NUT, HEX, NYLON, 6/32		HHS
131	2	163003	DM10-301J	CAP, MICA, 300 PF	C84, 85	ARC
132	2	163009	DM10-200J	CAP, MICA, 20 PF	C83, 86	ARC
133	2	163013	DM10-361J	CAP, MICA, 360 PF	C82, 87	ARC
134	1	000019	DM5	CAP, MICA, (SELECTED AT TEST)	C88	ARC
136	2	134061	472105-3, 4	ASSY, INDUCTOR, TABULATED	L9 (USE 472105-3) L11 (USE 472105-4)	DSI
139	1	150136	R25J30	RES, C. FILM, 30 HMS, 1/4W, 5X	R106	ROM
140	2	150109	R25J180	RES, C. FILM, 180 HMS, 1/4W, 5X	R105, 107	ROM
141	1	148180	C4100K2X	RES, MF, 100K, 1/4W2X, 100PPM, RL07	R102	CGE
142	1	148158	C412K2X	RES, MF, 12K, 1/4W2X, 100PPM, RL07	R99	CGE
143	1	150061	R25J680	RES, C. FILM, 680 HMS, 1/4W, 5X	R98	ROM
144	5	148141	C42.4K2X	RES, MF, 2.4K, 1/4W2X, 100PPM, RL07	R71, 92-95	CGE
145	1	150085	R25J180K	RES, C. FILM, 180K, 1/4W, 5X	R89	ROM
146	1	149026	R10J1.5K	RES, C. FILM, 1.5K, 1/8W, 5X	R108	ROM
147	2	148139	C42K2X	RES, MF, 2K, 1/4W2X, 100PPM, RL07	R96, 97	CGE
148	5	148173	C451K2X	RES, MF, 51K, 1/4W2X, 100PPM, RL07	R25-27, 85, 87	CGE
149	1	148156	C410K2X	RES, MF, 10K, 1/4W2X, 100PPM, RL07	R32	CGE
150	2	148132	C41K2X	RES, MF, 1K, 1/4W2X, 100PPM, RL07	R28, 29	CGE
151	1	179147	469488	ASSY, MOUNTING PLATES, A13		DSI



NOTES: UNLESS OTHERWISE SPECIFIED
 1. ALL RESISTOR VALUES IN OHMS.
 2. ALL CAPACITOR VALUES IN MICROFARADS.
 * SELECTED VALUE

[3] COMPONENT VALUE TO BE SELECTED DURING TEST (NOT USED IN ALL UNITS)

ASSY 469931 REV 1



A14 SYNTHESIZER 2 (100-200 MHZ)

Assembly : 469714
Stock Number : 180251

ASSY, A14, SYNTH 2, 100-200 MHZ

REV B
05/01/86

Item	Qty	Stk Num	Part Number	Description	Reference Desig.	Mfr
1	16	154045	RPE121Z5U104M100V	CAP, CER, .1 UF, 100V	C1, 2, 5, 6, 11, 15, 16, 20, 23, 26-31, 34	F
2	10	154044	RPE110Z5U103M100V	CAP, CER, .01 UF, 100V	C4, 10, 24, 25, 35, 38, 39 , 56-58	ERI
4	1	158004	CS13BE107K	CAP, TANT, 100 UF, 20V	C19	SPG
5	1	163015	DM10-510J	CAP, MICA, 51 PF	C7	ARC
6	1	154071	CK06BX105K	CAP, CER, 1 UF	C12	AVX
8	5	158015	T368-B226-M015A6	CAP, TANT, 22 UF, 15V	C36, 59-61, 63	KEM
9	8	172010	1N914	DIODE, SILICON, D035	CR1-CR7, CR11	MOT
12	1	171072	2N2222A	TRANSIS, NPN	Q1	MOT
14	1	153070	3299W-1-102K	RES, ADJ, 1K	R2	BRN
15	1	150031	R25J1M	RES, C. FILM, 1M, 1/4W, 5%	R4	ROM
16	4	150094	R25J5.1K	RES, C. FILM, 5.1K, 1/4W, 5%	R5, 6, 7, 8	ROM
17	4	150058	R25J51K	RES, C. FILM, 51K, 1/4W, 5%	R13, 15, 17, 18	ROM
18	2	150078	R25J20K	RES, C. FILM, 20K, 1/4W, 5%	R1, 3	
19	1	150004	R25J1K	RES, C. FILM, 1K, 1/4W, 5%	R22	ROM
21	1	150035	R25J820	RES, C. FILM, 820 HMS, 1/4W, 5%	R10	ROM
22	3	150061	R25J680	RES, C. FILM, 680 HMS, 1/4W, 5%	R28, 37, 39	ROM
23	1	150022	R25J100	RES, C. FILM, 100 HMS, 1/4W, 5%	R12	ROM
24	2	150060	R25J2K	RES, C. FILM, 2K, 1/4W, 5%	R29, 42	ROM
25	2	150037	R25J1.5K	RES, C. FILM, 1.5K, 1/4W, 5%	R38, 40	ROM
26	2	150155	R25J9.1K	RES, C. FILM, 9.1K, 1/4W, 5%	R9, 20	ROM
27	1	150043	R25J27K	RES, C. FILM, 27K, 1/4W, 5%	R19	ROM
30	2	150116	R25J56	RES, C. FILM, 56 HMS, 1/4W, 5%	R35, 43	ROM
31	2	150003	R25J470	RES, C. FILM, 470 HMS, 1/4W, 5%	R36, 27	ROM
32	1	150074	R25J510K	RES, C. FILM, 510K, 1/4W, 5%	R14	ROM
34	1	150114	R25J33K	RES, C. FILM, 33K, 1/4W, 5%	R16	ROM

Assembly : 469714
 Stock Number : 180251

ASSY, A14, SYNTH 2, 100-200 MHZ

REV G
 05/01/86

Item	Qty	Stk Num	Part Number	Description	Reference Desig.	Mfr
35	1	150143	R25J3. 6M	RES. C. FILM, 3.6M, 1/4W, 5%	R21	ROM
38	1	150036	R25J1. 2K	RES. C. FILM, 1.2K, 1/4W, 5%	R11	ROM
40	2	170702	SP8647B	I. C., DIVIDER	U4, U9	PLS
41	1	170603	MC14583BCP	I. C., 14583	U1	MOT
42	1	170602	MC14568BCP	I. C., 14568	U2	MOT
43	1	170586	LF355N	I. C., 355, FET OP-AMP, PLAS, 8 DIP	U3	NSC
44	1	170560	74LS90J	I. C., 74LS90, CER	U5	MOT
46	5	170895	SN74ALS168BN	IC, SYNCH BIN UP/DWN 4 BIT CNTR	U10, U12-U15	TXI
47	1	170659	SN74LS02J	I. C., 74LS02, CER	U11	TXI
48	1	170830	74HC32	I. C., 74HC32, QUAD OR, CMOS	U8	TXI
51	37	165008	2673-000101	CORE, BEAD, CHOKE	L2-14, 16-23, 25-40	MIM
52	1	147222	469704	P. C., CARD, A14		DSI
54	3	121054	B1591-B-11	MOUNT, BLOCK		USE
57	3	120164	MS51957-13	SCREW, PNHD, 4-40X1/4		HPR
58	3	120242	MS35338-135	WASHER, SPLITLOCK, #4		HPR
60	2	125160	RG17B B/U	CABLE, COAX		ALC
62	1	141213	508-AG-10D	SOCKET, 8 PIN, IC		AUG
63	3	141223	514-AG-10D	SOCKET, 14 PIN, I. C.		AUG
64	10	141225	516-AG-10D	SOCKET, 16 PIN, I. C.		AUG
66	1	180286	469934	ASSY, OSCILLATOR CAN, A14-A1		DSI
67	1	158020	T368-C476-K020AS	CAP, TANT, 47 UF, 20V	C62	KEM
68	16	154043	RPE121COG102J100V	CAP, CER, .001 UF, 100V	C40-55	ERI
69	1	148116	C4220R2X	RES, MF, 220, 1/4W2%, 100PPM, RL07	R41	CGE
70	1	179148	469489	ASSY, MOUNTING PLATES, A14		DSI

Assembly : 469934
Stock Number : 180286

ASSY, OSCILLATOR CAN, A14-A1

REV B3
05/01/86

Item	Qty	Stk Num	Part Number	Description	Reference Desig.	Mfr
1	1	129028	469932	FAB, CAN, MODIFICATION, A14-A1		I
2	1	128016	469933-1	COVER, A14-A1		DSI
4	1	180287	469931	ASSY, A14-A1-A1, P. C., CARD		DSI
5	1	142069	469928	INSULATOR		DSI
7	2	162004	ZS1C2-502H	CAP, FEEDTHRU, 5000 PF		USE
8	3	142041	AA-40W-PP	TERMINAL, FEED THRU		EID
9	3	120164	MS51957-13	SCREW, PNHD, 4-40X1/4		HPR
10	12	125311	E26-126-9	WIRE, 26 GA, SOLID, WHITE		PIW

Assembly : 469931
Stock Number : 180287

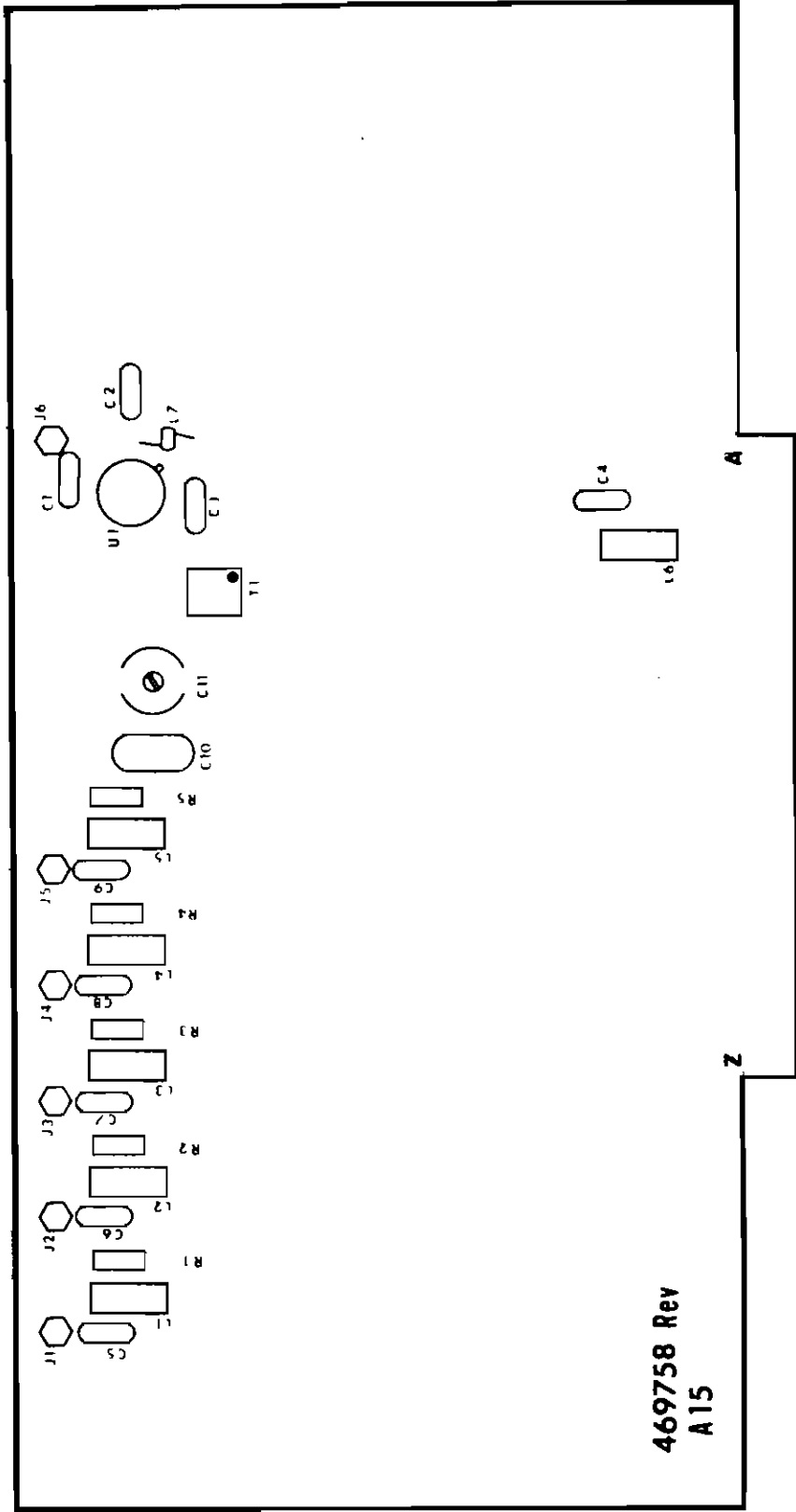
ASSY, A14-A1-A1, P. C., CARD

REV C
05/01/86

Item	Qty	Stk Num	Part Number	Description	Reference Desig.	Mfr
1	1	147257	469930	P. C., CARD, A14-A1		DSI
3	3	120263	KF2-440	FASTENER, SOLDERABLE		PEM
5	2	154045	RPE12175U104M100V	CAP, CER, .1 UF, 100V	C14, 37	ERI
6	5	154044	RPE11075U103M100V	CAP, CER, .01 UF, 100V	C8, 21, 22, 32, 33	ERI
7	2	158014	T368-B156-M020AS	CAP, TANT, 15 MF, 20V	C9, 13	KEM
8	2	154043	RPE121C06102J100V	CAP, CER, .001 UF, 100V	C17, 18	ERI
10	2	172010	1N914	DIODE, SILICON, D035	CR8, 9	MOT
11	1	172084	DKV6520B	DIODE, VARICAP	CR10	ALI
13	1	171104	40673	TRANSIS, FET	Q2	RCA
15	1	150009	R25J100K	RES, C. FILM, 100K, 1/4W, 5%	R24	ROM
16	2	150004	R25J1K	RES, C. FILM, 1K, 1/4W, 5%	R26, 32	ROM
17	1	150144	R25J39K	RES, C. FILM, 39K, 1/4W, 5%	R23	ROM
18	3	150026	R25J560	RES, C. FILM, 560 HMS, 1/4W, 5%	R30, 31, 44	ROM
19	1	150147	R25J510	RES, C. FILM, 510 HMS, 1/4W, 5%	R34	ROM
20	1	150146	R25J43	RES, C. FILM, 43 HMS, 1/4W, 5%	R25	ROM
21	1	150038	R25J1.8K	RES, C. FILM, 1.8K, 1/4W, 5%	R33	ROM
23	1	170606	MC1662L	I. C., 1662, 16 PIN DIP	U7	MOT

(THIS PAGE INTENTIONALLY LEFT BLANK)

1"



469758 Rev
A15

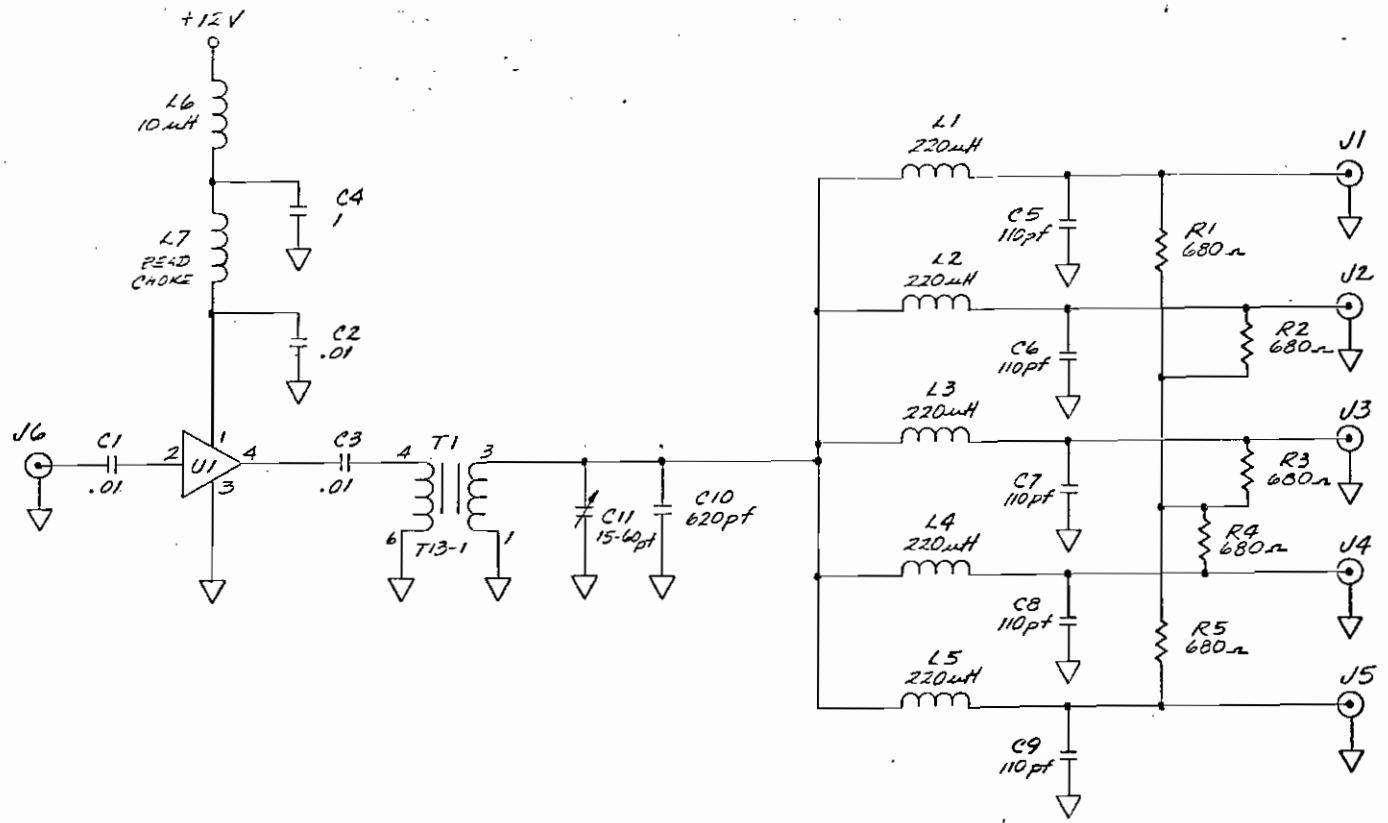
A16 1MHz DISTRIBUTION

Assembly : 469758
Stock Number : 180263

ASSY, A15

REV B1
05/01/86

Item	Qty	Stk Num	Part Number	Description	Reference Desig.	Mfr
1	1	147250	469766	P. C., CARD, A15. (SN 509)		I
5	1	170706	6PD-462	I. C., AMPLIFIER	U1	AVN
8	5	150061	R25J680	RES, C. FILM, 680 HMS, 1/4W, 5%	R1-5	ROM
11	3	154054	CK05BX103K	CAP, CER, .01 UF, 100V	C1-3	AVX
12	1	154047	RPE11375U105M50V	CAP, CER, 1 UF, 50V, 20%	C4	ERI
13	5	163054	DM5FC111J	CAP, MICA, 110 PF	C5-9	ARC
14	1	163083	DM15-621J	CAP, MICA, 620 PF	C10	ARC
16	1	164004	538-011F, 15-60PF	CAP, ADJ, 15-60 PF	C11	ERI
18	5	166028	WD-220	INDUCTOR, 220 UH	L1-5	NYT
19	1	165008	2673-000101	CORE, BEAD, CHOKE	L7	MIM
20	1	166015	WD-10	INDUCTOR, 10 UH	L6	NYT
21	1	134039	T13-1T	TRANSFORMER	T1	MCL
24	3	121054	B1591-B-11	MOUNT, BLOCK		USE
26	3	120164	MS51957-13	SCREW, PNHD, 4-40X1/4		
27	3	120242	MS35338-135	WASHER, SPLITLOCK, #4		HPR
29	1	125160	RG178 B/U	CABLE, COAX		ALC
31	1	179149	469490	ASSY. MOUNTING PLATES, A15		DSI



Assembly : 469716
Stock Number : 180253

ASSY, A16

REV G4
05/01/86

Item	Qty	Stk Num	Part Number	Description	Reference Desig.	Mfr
1	1	147224	469706	P. C. ,CARD. A16		
2	1	180281	469920	ASSY, OSCILLATOR CAN, A16-A1		DSI
4	3	121054	B1591-B-11	MOUNT, BLOCK		USE
7	1	180282	469921	ASSY, OSCILLATOR CAN, A16-A2		DSI
8	4	150061	R25J680	RES, C. FILM, 680 HMS, 1/4W, 5%	R3, 4, 55, 58	ROM
9	3	150147	R25J510	RES, C. FILM, 510 HMS, 1/4W, 5%	R5, 9, 54	ROM
10	2	150034	R25J150	RES, C. COMP, 150 HMS, 1/4W, 5%	R84, 88	ROM
11	3	150009	R25J100K	RES, C. FILM, 100K, 1/4W, 5%	R6, 30, 34	ROM
12	6	150026	R25J560	RES, C. FILM, 560 HMS, 1/4W, 5%	R7, 8, 41, 43, 59, 61	ROM
13	4	150002	R25J330	RES, C. FILM, 330 HMS, 1/4W, 5%	R82, 85, 86, 89	ROM
14	4	150067	R25J2.4K	RES, C. FILM, 2.4K, 1/4W, 5%	R36, 37, 40, 42	ROM
15	1	150081	R25J51	RES, C. FILM, 51 HMS, 1/4W, 5%	R12	ROM
16	2	148149	C45.1K2X	RES, MF, 5.1K, 1/4W2X, 100PPM, RL07	R15, 16	CGE
17	3	150018	R25J470K	RES, C. FILM, 470 K, 1/4W, 5%	R21, 67, 71	
18	2	150058	R25J51K	RES, C. FILM, 51K, 1/4W, 5%	R17, 38	ROM
19	1	150057	R25J150K	RES, C. FILM, 150K, 1/4W, 5%	R73	ROM
20	2	150070	R25J430	RES, C. FILM, 430 HMS, 1/4W, 5%	R83, 87	ROM
21	1	150007	R25J10K	RES, C. FILM, 10K, 1/4W, 5%	R22	ROM
22	1	150075	R25J240K	RES, C. FILM, 240K, 1/4W, 5%	R23	ROM
23	1	150008	R25J22K	RES, C. FILM, 22K, 1/4W, 5%	R72	ROM
24	2	150117	R25J75	RES, C. FILM, 75 HMS, 1/4W, 5%	R26, 52	ROM
25	5	150022	R25J100	RES, C. FILM, 100 HMS, 1/4W, 5%	R27, 28, 31, 51, 53	ROM
26	1	150139	R25J300K	RES, C. FILM, 300K, 1/4W, 5%	R24	ROM
27	1	150107	R25J200	RES, C. FILM, 200 HMS, 1/4W, 5%	R32	ROM
28	1	150164	R25J1.8M	RES, C. FILM, 1.8M, 1/4W, 5%	R29	ROM
29	2	150004	R25J1K	RES, C. FILM, 1K, 1/4W, 5%	R35, 75	ROM

Assembly : 469716
Stock Number : 180253

ASSY, A16

REV G4
05/01/86

Item	Qty	Stk Num	Part Number	Description	Reference Desig.	Mfr
30	4	150037	R25J1.5K	RES, C. FILM, 1.5K, 1/4W, 5%	R1, 2, 56, 57	ROM
31	1	150001	R25J2.2K	RES, C. FILM, 2.2K, 1/4W, 5%	R25	ROM
33	1	150106	R25J200K	RES, C. FILM, 200K, 1/4W, 5%	R69	ROM
35	2	153071	3299W-1-103K	RES, ADJ, 10K	R19, 70	BRN
36	1	153076	3299W-1-502K	RES, ADJ, 5K	R33	BRN
37	2	125175	1224	BRAID, FLAT, 3/32W		ALC
38	8	172010	1N914	DIODE, SILICON, D035	CR1-CR6, CR7*, CR8*	MOT
40	3	125162	UT. 034TP	CABLE, COAX, .035DIA		CAS
41	2	171083	2N4416	TRANSIS, FET	Q1, 2	MOT
42	1	130304	469400-15	SHIELD, R. F.		DSI
43	1	134039	T13-1T	TRANSFORMER	T1	MCL
45	2	141225	516-AG-10D	SOCKET, 16 PIN, I. C.	U20, 21	AUG
46	3	141223	514-AG-10D	SOCKET, 14 PIN, I. C.	U1, 15, 18	AUG
47	9	141213	508-AG-10D	SOCKET, 8 PIN, IC	U3-8, 14, 17, 19	AUG
49	1	161023	SRA-1	MIXER, DOUBLE, BAL	U25	MCL
50	2	170560	74LS90J	I. C., 74LS90, CER	U1, 15	MOT
51	3	170598	MC12040P	I. C., 12040	U2, 10, 16	MOT
52	2	170580	LM311N	I. C., 311	U3, 14	MOT
53	6	170586	LF355N	I. C., 355, FET OP-AMP, PLAS, 8 DIP	U4-7, 17, 19	NSC
54	1	170600	MC1350P	I. C., 1350	U8	MOT
57	1	170830	74HC32	I. C., 74HC32, QUAD OR, CMOS	U18	TXI
58	2	170896	SN74ALS169BN	IC, SYNCH BIN UP/DWN 4 BIT CNTR	U20, 21	TXI
59	14	165008	2673-000101	CORE, BEAD, CHOKE	L14-26, 28	MIM
60	2	166021	WD-5.6	INDUCTOR, 5.6 UH	L1, 2	NYT
61	4	166006	RFC-S-.39	INDUCTOR, .39 UH	L3-6	NYT
62	1	166018	WD-18, 000	INDUCTOR, 18 MH	L7	NYT

Assembly : 469716
Stock Number : 180253

ASSY, A16

REV G4
05/01/86

Item	Qty	Stk Num	Part Number	Description	Reference Desig.	Mfr
63	2	166029	9230-40	INDUCTOR, 6.8MH	L27, 29	
64	2	166015	WD-10	INDUCTOR, 10 UH	L12, 13	NYT
65	2	125160	RG178 B/U	CABLE, CDAX		ALC
66	33	154045	RPE12175U104M100V	CAP, CER, .1 UF, 100V	C1, 4-7, 11, 12, 18, 20, 21, 32, 34, 36, 38-42, 54, 55, 57-60, 63, 64, 67, 68, 73, 74, 83-85	ERI
67	10	154044	RPE11075U103M100V	CAP, CER, .01 UF, 100V	C14, 31, 69, 72, 98-100, 102-104	ERI
68	4	154047	RPE11375U105M50V	CAP, CER, .1 UF, 50V, 20%	C15, 16, 70, 71	ERI
69	4	163050	DM5CC050D	CAP, MICA, 5 PF	C2, 3, 61, 62	ARC
70	1	163078	DM5FY221J	CAP, MICA, 220 PF	C24	ARC
71	1	163046	DM5FY241J	CAP, MICA, 240 PF	C25	ARC
72	10	163066	DM5FC331J	CAP, MICA, 330 PF	C8, 9, 23, 26, 27, 30, 35, 37, 65, 66	ARC
73	2	158014	T368-B156-M020AS	CAP, TANT, 15 MF, 20V	C88, 89	KEM
74	3	158016	T368-C157-M006AS	CAP, TANT, 150 UF, 6V	C87, 91, 93	KEM
75	1	154073	CK06BX224K	CAP, CER, .22 UF	C17	AVX
76	2	154057	CK05BX152K	CAP, CER, 1500 PF	C10, 22	AVX
77	1	154061	CK05BX332K	CAP, CER, .0033 UF	C13	AVX
78	1	154058	CK05BX153K	CAP, CER, .015 UF	C33	AVX
79	1	163028	DM15-471J	CAP, MICA, 470 PF	C28	ARC
80	7	154071	CK06BX105K	CAP, CER, .1 UF	C51, 92, 94-97, 101	AVX
81	3	120164	MS51957-13	SCREW, PNHD, 4-40X1/4		HPR
82	3	120242	MS35338-135	WASHER, SPLITLOCK, #4		HPR
83	1	154055	CK05BX104K	CAP, CER, .10 UF, 50V	C19	AVX
84	8	148141	C42.4K2%	RES, MF, 2.4K, 1/4W2%, 100PPM, RL07	R10, 11, 13, 14, 60, 62, 63, 81	CGE
85	2	148173	C451K2%	RES, MF, 51K, 1/4W2%, 100PPM, RL07	R64, 65	CGE

Assembly : 469716
Stock Number : 180253

ASSY, A16

REV G4
05/01/86

Item	Qty	Stk Num	Part Number	Description	Reference Desig.	Mfr
86	3	148184	C4150K2X	RES, MF, 150K, 1/4W2X, 100PPM, RL07	R18, 20, 66	CGE
87	1	179150	469491	ASSY, MOUNTING PLATES, A16		DSI

Assembly : 469709
Stock Number : 180246

ASSY, A16-A1-A1

REV B
05/01/86

Item	Qty	Stk Num	Part Number	Description	Reference Desig.	Mfr
1	1	147225	469707	P. C. ,CARD, A16-A1		
4	3	149024	R10J560	RES, C. FILM, 560 HMS, 1/8W, 5%	R45, 46, 82	ROM
5	1	150004	R25J1K	RES, C. FILM, 1K, 1/4W, 5%	R39	ROM
6	1	150026	R25J560	RES, C. FILM, 560 HMS, 1/4W, 5%	R44	ROM
7	1	150118	R25J390	RES, C. FILM, 390 HMS, 1/4W, 5%	R47	ROM
8	1	150109	R25J180	RES, C. FILM, 180 HMS, 1/4W, 5%	R48	ROM
9	1	150124	R25J1.1K	RES, C. FILM, 1.1K, 1/4W, 5%	R49	ROM
10	1	150141	R25J36	RES, C. FILM, 36 HMS, 1/4W, 5%	R50	ROM
11	1	150060	R25J2K	RES, C. FILM, 2K, 1/4W, 5%	R90	ROM
12	8	154045	RPE121Z5U104M100V	CAP, CER, .1 UF, 100V	C45-49, 52, 53, 56	ERI
13	1	154053	CK05BX102K	CAP, CER, .001 UF	C43	AVX
14	1	154047	RPE113Z5U105M50V	CAP, CER, 1 UF, 50V, 20%	C50	ERI
16	1	166008	RFC-S-1.5	INDUCTOR, 1.5 LH	L8	NYT
17	1	166015	WD-10	INDUCTOR, 10 UH	L9	
19	1	170604	MC1648	I. C. , 1648	U9	MOT
20	1	170621	MC10102	I. C. , 10102	U11	MOT
21	1	170261	SN74LS90	I. C. , 74LS90, DECADE COUNTER	U13	TXI
23	1	172090	DKV6523	DIODE	CR12	ALI
25	2	171089	2N5771	TRANSIS	Q1, 2	FRS

Assembly : 469788
Stock Number : 180272

ASSY, A16-A2-A1

REV B1
05/01/86

Item	Qty	Stk Num	Part Number	Description	Reference Desig.	Mfr
1	1	147252	469789	P. C. , CARD, A16-A2-A1		DSI
7	3	150026	R25J560	RES, C. FILM, 560 HMS, 1/4W, 5%	R20, 76, 77	ROM
8	1	150004	R25J1K	RES, C. FILM, 1K, 1/4W, 5%	R74	ROM
9	1	150107	R25J200	RES, C. FILM, 200 HMS, 1/4W, 5%	R79	ROM
10	1	150097	R25J240	RES, C. FILM, 240 HMS, 1/4W, 5%	R80	ROM
11	1	150060	R25J2K	RES, C. FILM, 2K, 1/4W, 5%	R91	ROM
12	7	154045	RPE121Z5U104M100V	CAP, CER, .1 UF, 100V	C77-82, 86	ERI
13	1	154053	CK05BX102K	CAP, CER, .001 UF	C75	AVX
14	1	166015	WD-10	INDUCTOR, 10 UH	L10	NYT
15	1	166008	RFC-S-1.5	INDUCTOR, 1.5 UH	L11	NYT
17	3	172010	1N914	DIODE, SILICON, D035	CR9, 10, 11	MOT
18	1	172090	DKV6523	DIODE	CR13	ALI
20	1	170604	MC1648	I. C. , 1648	U22	MOT
21	1	170621	MC10102	I. C. , 10102	U23	MOT
22	1	170826	74HC00	I. C. , 74HC00, QUAD, NAND, CMOS	U24	TXI
24	1	171089	2N5771	TRANSIS	Q3	FRS

Assembly : 469920
Stock Number : 180281

ASSY, OSCILLATOR CAN, A16-A1

REV C2
05/01/86

Item	Qty	Stk Num	Part Number	Description	Reference Desig.	Mfr
1	1	130267	469917	FAB, CAN, MODIFIED		
2	1	130268	469922-1	FAB, COVER, MODIFIED		DSI
3	1	180246	469709	ASSY, A16-A1-A1		DSI
4	1	142060	469919	INSULATOR		DSI
5	3	142041	AA-40W-PP	TERMINAL, FEED THRU	B, C, D	EID
6	1	162004	ZS1C2-502H	CAP, FEEDTHRU, 5000 PF	E	USE
7	1	162002	ZS1C2-122H	CAP, FEEDTHRU, 1200 PF	A	USE
8	12	125311	E26-126-9	WIRE, 26 GA, SOLID, WHITE		PIW

Assembly : 469921
Stock Number : 180282

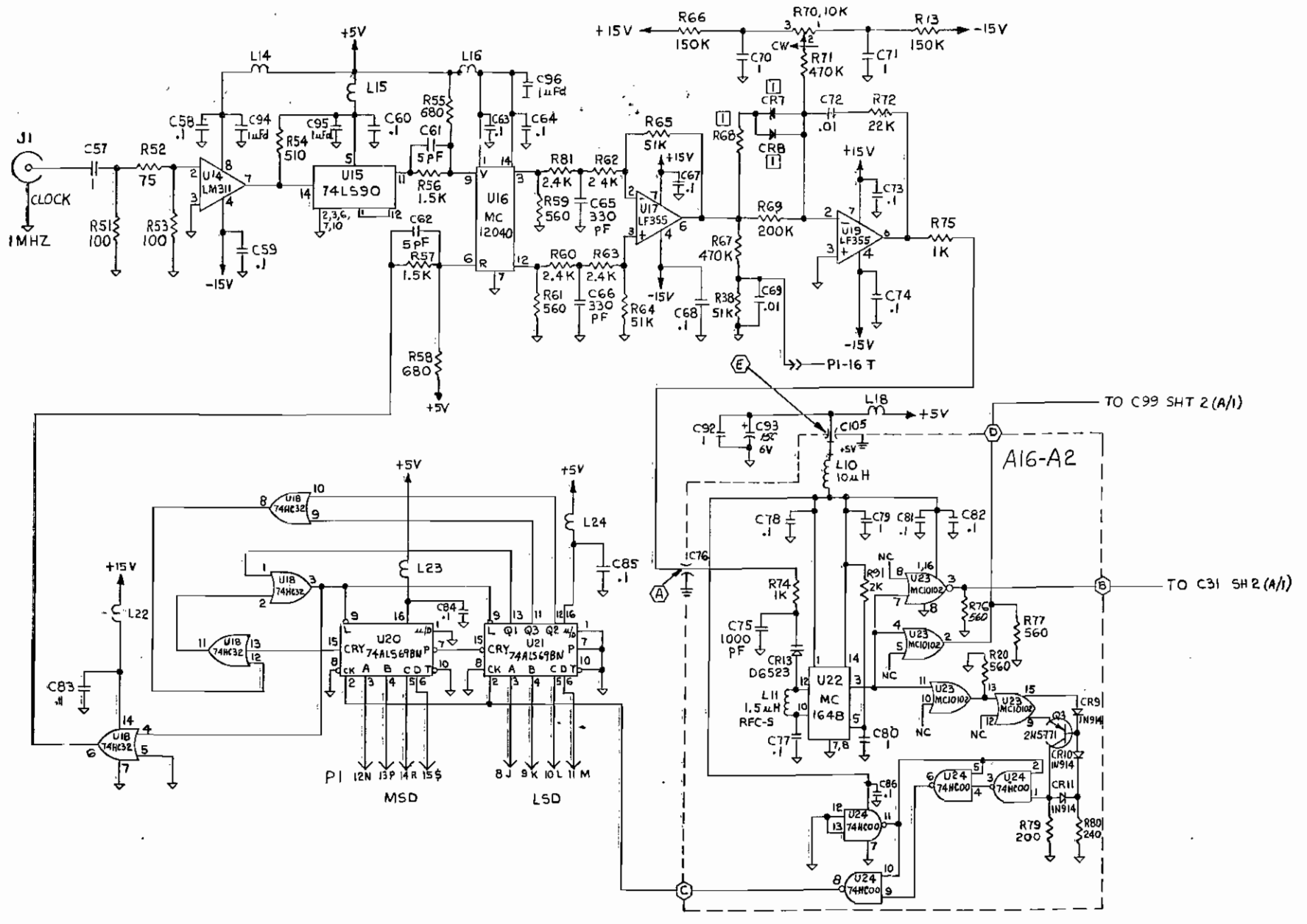
ASSY, OSCILLATOR CAN, A16-A2

REV B1
05/01/86

Item	Qty	Stk Num	Part Number	Description	Reference Desig.	Mfr
1	1	129020	469918	FAB, CAN, MODIFIED		DSI
2	1	130268	469922-1	FAB, COVER, MODIFIED		DSI
3	1	180272	469788	ASSY, A16-A2-A1		DSI
4	1	142060	469919	INSULATOR		DSI
5	3	142041	AA-40W-PP	TERMINAL, FEED THRU	B, C, D	EID
6	1	162004	ZS1C2-502H	CAP, FEEDTHRU, 5000 PF	E	USE
7	1	162002	ZS1C2-122H	CAP, FEEDTHRU, 1200 PF	A	USE
8	12	125311	E26-126-9	WIRE, 26 GA, SOLID, WHITE		PIW

(THIS PAGE INTENTIONALLY LEFT BLANK)

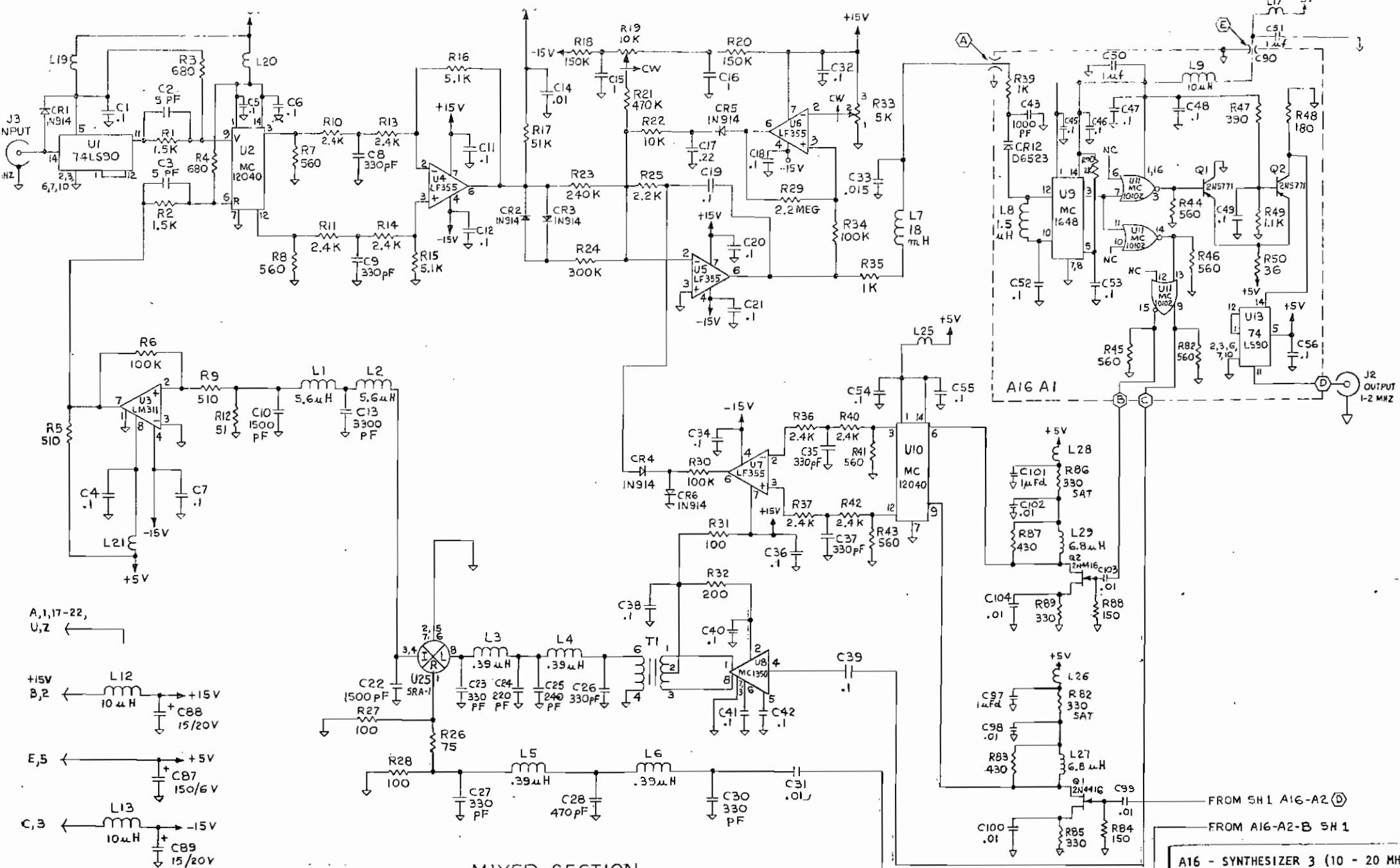
3



SYNTHESIZER SECTION

1] INSTALL RC8, CR7 + CR8 DURING TEST. MAY NOT BE REQD IN ALL UNITS.
 NOTES: UNLESS OTHERWISE SPECIFIED

A16 - SYNTHESIZER 3 (10 - 20 MHZ) SHT 1 OF 2



MIXER SECTION

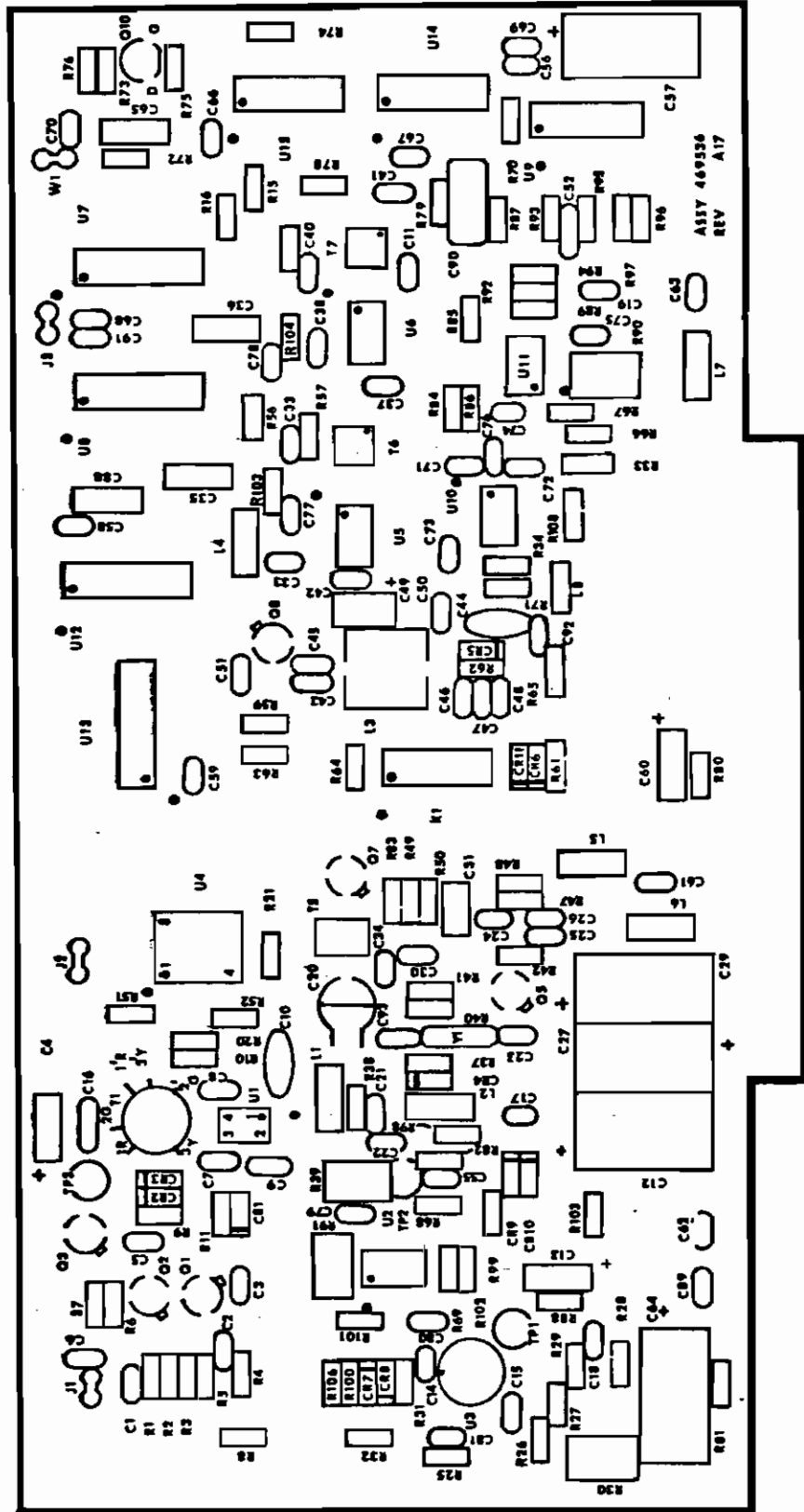
A16 - SYNTHESIZER 3 (10 - 20 MHz)

A, 1, 17-22,
U, 7

+15V
B, 2 ← L12 10μH → +15V
C88 15/20V

E, 5 ← +5V
C87 150/6V

C, 3 ← L13 10μH → -15V
C89 15/20V



A17 SYNTHESIZER 4 (80.2894 MHz)

Assembly : 469536
Stock Number : 180190

ASSY, 94MHZ, SOURCE, A17

REV K2
05/01/86

Item	Qty	Stk Num	Part Number	Description	Reference Desig.	Mfr
1	1	147232	469772	P. C., CARD, A17		PER
3	1	000019	DMS	CAP, MICA, (SELECTED AT TEST)	C93	ARC
4	1	158020	T368-C476-K020AS	CAP, TANT, 47 UF, 20V	C13	KEM
5	1	154058	CK05BX153K	CAP, CER, .015 UF	C92	AVX
7	3	121054	B1591-B-11	MOUNT, BLOCK		USE
9	1	130264	469400-7	SHIELD, R. F.		DSI
10	1	130237	469798	COVER, SHIELD, RF		DSI
14	29	154044	RPE110Z5U103M100V	CAP, CER, .01 UF, 100V	C1-3, 6, 14, 15, 17, 18, 42, 56, 58, 59, 61-63, 66 , 67-70, 72-78, 89, 91	ERI
15	1	158005	CS13BE156K	CAP, TANT, 15 UF, 20V	C4	SPG
16	1	163066	DM5FC331J	CAP, MICA, 330 PF	C5	ARC
17	6	163052	DM5CC100J	CAP, MICA, 10 PF	C7, 8, 16, 25, 37, 47	ARC
18	1	163072	DM5EC510J	CAP, MICA, 51 PF	C9	ARC
19	2	163019	DM15-102J	CAP, MICA, 1000 PF	C10	ARC
20	3	154053	CK05BX102K	CAP, CER, .001 UF	C22, 24, 34	AVX
21	1	163045	DM5FA201J	CAP, MICA, 200 PF	C81	ARC
22	1	164001	187-0106-005	CAP, ADJ, 2-12 PF	C20	EFJ
23	1	163027	DM15-431J	CAP, MICA, 430 PF	C41	ARC
24	2	163061	DM5EC270J	CAP, MICA, 27 PF	C21, 23	ARC
25	1	163049	DM5CC020D	CAP, MICA, 2 PF, 300V	C26	ARC
26	1	163082	DM5FY391J	CAP, MICA, 390 PF	C19*	ARC
27	7	154043	RPE121C0G102J100V	CAP, CER, .001 UF, 100V	C30, 32, 33, 38, 40, 50, 51	ERI
28	1	163001	DM10-391J	CAP, MICA, 390 PF	C52	ARC
29	2	158016	T368-C157-M006AS	CAP, TANT, 150 UF, 6V	C88, 90	KEM
30	6	158008	CS13BF105K	CAP, TANT, 1 UF, 35V	C31, 35, 36, 49, 60, 65	SPG

Assembly : 469536
Stock Number : 180190

ASSY, 94MHZ, SOURCE, A17

REV K2
05/01/86

Item	Qty	Stk Num	Part Number	Description	Reference Desig.	Mfr
32	1	163048	DM5CC010D	CAP, MICA, 1 PF	C43	ARC
33	2	163054	DM5FC111J	CAP, MICA, 110 PF	C45, 48	ARC
34	1	163070	DM5EC470J	CAP, MICA, 47 PF	C46	ARC
35	2	154054	CK05BX103K	CAP, CER, .01 UF, 100V	C55, 71	AVX
36	4	158004	CS13BE107K	CAP, TANT, 100 UF, 20V	C12, 27, 29, 57	SPG
37	1	158002	CS13BR337K	CAP, TANT, 330 UF, 6V	C64	SPG
38	1	163015	DM10-510J	CAP, MICA, 51 PF	C44	ARC
40	3	154049	RPE12275U104M100V	CAP, CER, .1 UF, 100V	C11, 79, 80	ERI
41	2	172071	1N751A	DIODE, ZENER, 5.1V, .4W, 5%	CR9, 10	MOT
42	5	172010	1N914	DIODE, SILICON, D035	CR1, 6-8, 11	MOT
43	1	172076	5082-0180	DIODE, SILICON	CR2	HEW
44	1	172081	5082-2835	DIODE, SILICON	CR3	HEW
45	2	172084	DKV6520B	DIODE, VARICAP	CR4, 5	ALI
46	1	166018	WD-18, 000	INDUCTOR, 18 MH	L8	NYT
47	1	145074	PRME-1A12	RELAY, SPST	K1	CPC
48	1	134112	472102N	ASSY, INDUCTOR, TABULATED	L3 (USE 472102-29)	DSI
49	1	166003	RFC-S-.15	INDUCTOR, .15 UH	L1*	NYT
50	1	166020	WD-47	INDUCTOR, 47 UH	L4	NYT
51	3	166015	WD-10	INDUCTOR, 10 UH	L5, 6, 7	NYT
52	1	166004	RFC-S-.22	INDUCTOR, .22 UH	L2*	NYT
53	1	171076	2N2907A	TRANSIS, PNP	Q1	MOT
54	2	171073	2N2369A	TRANSIS, NPN	Q2, 3	MOT
55	1	171087	2N5179	TRANSIS, NPN	Q8	MOT
56	1	171090	AT-0025	TRANSIS, NPN	Q5	AVN
57	1	171115	2N2857	TRANSIS, NPN	Q7	MOT
58	1	171097	MPF820	TRANSIS, FET	Q10	MOT

Assembly : 469536
Stock Number : 180190

ASSY, 94MHZ, SOURCE, A17

REV K2
05/01/86

Item	Qty	Stk Num	Part Number	Description	Reference Desig.	Mfr
60	1	152030	TG-1/8, 4.7K	THERMISTER, 4.7K	R82	
61	2	153072	3299W-1-104K	RES, ADJ, 100K	R90, 91	BRN
62	1	150106	R25J200K	RES, C. FILM, 200K, 1/4W, 5%	R73	ROM
63	1	153071	3299W-1-103K	RES, ADJ, 10K	R30	BRN
64	1	153077	3299W-1-503K	RES, ADJ, 50K	R39	BRN
65	2	148029	RL07S512G	RES, M. FILM, 5.1K, 2%	R37, 71	CGE
66	2	150060	R25J2K	RES, C. FILM, 2K, 1/4W, 5%	R1, 57	ROM
67	2	150039	R25J15K	RES, C. FILM, 15K, 1/4W, 5%	R2, 3	ROM
68	2	150138	R25J3K	RES, C. FILM, 3K, 1/4W, 5%	R4, 5	ROM
69	2	150072	R25J3.9K	RES, C. FILM, 3.9K, 1/4W, 5%	R6, 63	ROM
70	1	150036	R25J1.2K	RES, C. FILM, 1.2K, 1/4W, 5%	R7	ROM
71	1	150133	R25J22	RES, C. FILM, 22 HMS, 1/4W, 5%	R8	ROM
72	1	150037	R25J1.5K	RES, C. FILM, 1.5K, 1/4W, 5%	R100	ROM
73	3	150053	R25J10	RES, C. FILM, 10 HMS, 1/4W, 5%	R49, 70, 79	
75	3	150058	R25J51K	RES, C. FILM, 51K, 1/4W, 5%	R76, 86, 88	ROM
76	4	150007	R25J10K	RES, C. FILM, 10K, 1/4W, 5%	R20, 61, 62, 65	ROM
77	2	148204	CT41M2%	RES. MF, 1M, 1/4W2%, 100PPM, RL07	R31, 101	CGE
78	2	150149	R25J62	RES, C. FILM, 62 HMS, 1/4W, 5%	R21, 51	ROM
79	1	150118	R25J390	RES, C. FILM, 390 HMS, 1/4W, 5%	R50	ROM
80	1	150081	R25J51	RES, C. FILM, 51 HMS, 1/4W, 5%	R80	ROM
81	1	150135	R25J2.7	RES, C. FILM, 2.7 HMS, 1/4W, 5%	R81	ROM
82	1	150125	R25J11K	RES, C. FILM, 11K, 1/4W, 5%	R84	ROM
83	4	150078	R25J20K	RES, C. FILM, 20K, 1/4W, 5%	R40, 41, 47, 48	ROM
84	1	150097	R25J240	RES, C. FILM, 240 HMS, 1/4W, 5%	R52	ROM
85	2	150168	R25J1	RES, C. FILM, 1 HMS, 1/4W, 5%	R15, 16	ROM
87	4	150004	R25J1K	RES, C. FILM, 1K, 1/4W, 5%	R9-11, 108	ROM

Assembly : 469536
Stock Number : 180190

ASSY, 94MHZ, SOURCE, A17

REV K2
05/01/86

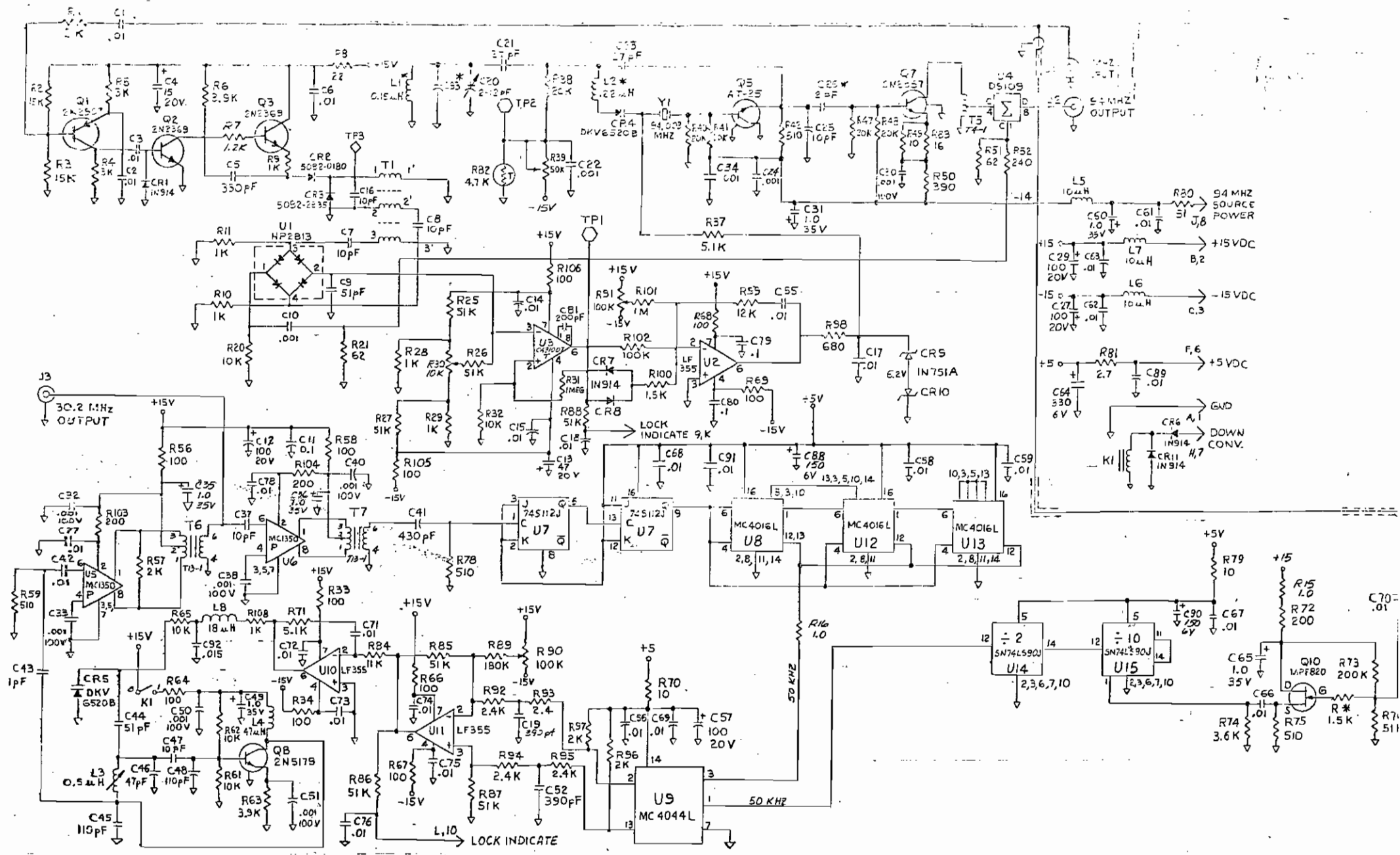
Item	Qty	Stk Num	Part Number	Description	Reference Desig.	Mfr
88	1	148014	RL07S203G	RES, M. FILM, 20K, 2%	R38	CGE
90	3	150107	R25J200	RES, C. FILM, 200 HMS, 1/4W, 5%	R72, 103, 104	ROM
91	4	150147	R25J510	RES, C. FILM, 510 HMS, 1/4W, 5%	R42, 59, 75, 78	ROM
92	1	150131	R25J16	RES, C. FILM, 16 HMS, 1/4W, 5%	R83	ROM
93	11	150022	R25J100	RES, C. FILM, 100 HMS, 1/4W, 5%	R34, 56, 58, 64, 66-69, 33, 105, 106	ROM
95	1	134040	T4-1	TRANSFORMER	T5	MCL
97	1	172080	5082-2813	DIODE, BRIDGE	U1	HEW
98	1	161018	FPS-109	POWER, DIVIDER	U4	MCL
99	1	170568	CA3100T	I. C. , 3100	U3	RCA
100	1	170675	SN74S112J	I. C. , 74S112, CER	U7	TXI
101	2	170600	MC1350P	I. C. , 1350	U5, 6	MOT
102	3	170608	MC4016L	I. C. , 4016	U8, 12, 13	MOT
103	1	170609	MC4044P	I. C. , 4044	U9	MOT
104	3	170586	LF355N	I. C. , 355, FET OP-AMP, PLAS, 8 DIP	U2, 10, 11	NSC
105	1	174001	396-1 HC-18/U	CRYSTAL, 94.003 MHZ	Y1	PZC
106	2	170560	74LS90J	I. C. , 74LS90, CER	U14, 15	MOT
107	1	134063	472108-1, 2	ASSY, TRANSFORMER, TABULATED	T1 (USE 472108-2)	DSI
108	2	134039	T13-1T	TRANSFORMER	T6, 7	MCL
111	5	141213	508-AG-10D	SOCKET, 8 PIN, IC	U2, 5, 6, 10, 11	AUG
112	3	141223	514-AG-10D	SOCKET, 14 PIN, I. C.	U9, 14, 15	AUG
113	4	141225	516-AG-10D	SOCKET, 16 PIN, I. C.	U7, 8, 12, 13	AUG
114	3	142027	450-7004-01-03-00	JACK	TP1-3	CAM
116	1	125162	UT. 034TP	CABLE, COAX, .035DIA		CAS
118	1	150013	R25J3.6K	RES, C. FILM, 3.6K, 1/4W, 5%	R74	ROM
119	1	148180	C4100K2%	RES, MF, 100K, 1/4W2%, 100PPM, RL07	R102	CGE

Assembly : 469536
Stock Number : 180190

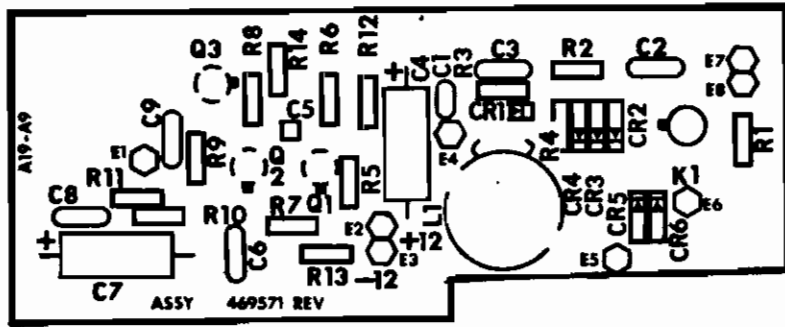
ASSY, 94MHZ, SOURCE, A17

REV K2
05/01/86

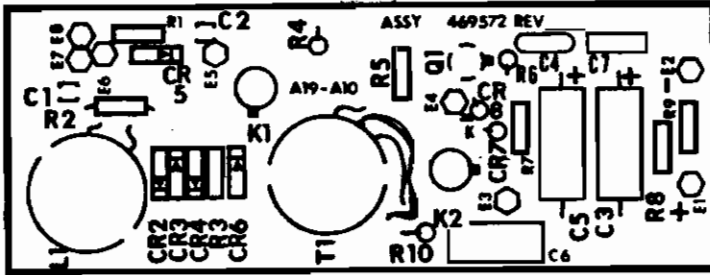
Item	Qty	Stk Num	Part Number	Description	Reference Desig.	Mfr
120	1	148158	C412K2X	RES, MF, 12K, 1/4W2X, 100PPM, RL07	R99	F
121	1	150061	R25J680	RES, C. FILM, 680 HNS, 1/4W, 5X	R98	ROM
122	4	148141	C42.4K2X	RES, MF, 2.4K, 1/4W2X, 100PPM, RL07	R92-95	CGE
123	1	150086	R25J180K	RES, C. FILM, 180K, 1/4W, 5X	R89	ROM
126	3	120164	MS51957-13	SCREW, PNHD, 4-40X1/4		HPR
128	1	120204	2502	SCREW, PNHD, 4/40, 1/2		HHS
129	1	120208	2554	NUT, HEX, NYLON, 4/40		HHS
131	1	130274	469400-9	SHIELD, R. F.		DSI
132	1	130273	469400-8	SHIELD, R. F.		DSI
133	1	149026	R10J1.5K	RES, C. FILM, 1.5K, 1/8W, 5X	R109	ROM
134	2	148139	C42K2X	RES, MF, 2K, 1/4W2X, 100PPM, RL07	R96, 97	CGE
135	5	148173	C451K2X	RES, MF, 51K, 1/4W2X, 100PPM, RL07	R25-27, 85, 87	CGE
136	1	148156	C410K2X	RES, MF, 10K, 1/4W2X, 100PPM, RL07	R32	CGE
137	2	148132	C41K2X	RES, MF, 1K, 1/4W2X, 100PPM, RL07	R28, 29	
138	1	179151	469492	ASSY, MOUNTING PLATES, A17		DSI



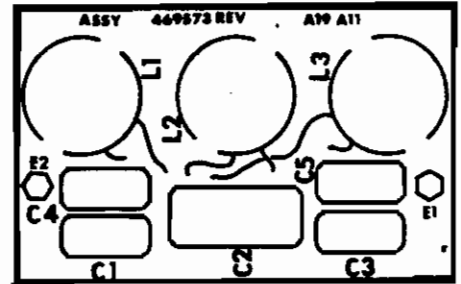
A17 - SYNTHESIZER 4 (30.2 & 94 MHz)
A17-7



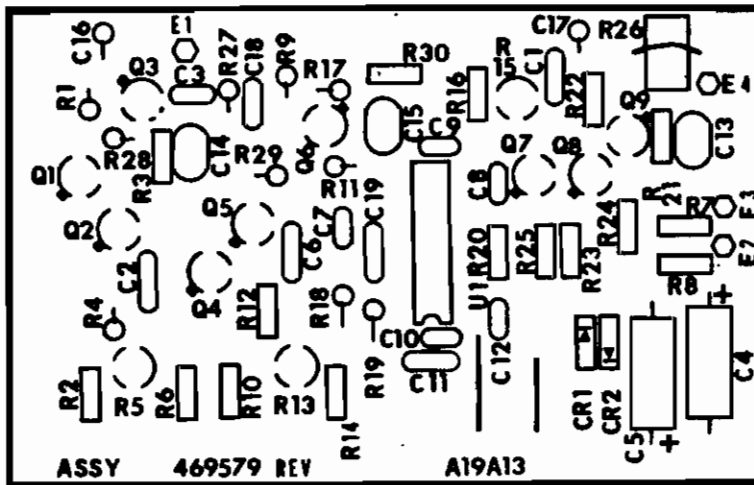
A19-A9



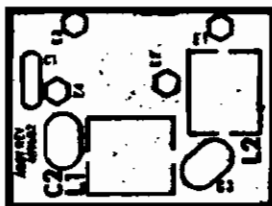
A19-A10



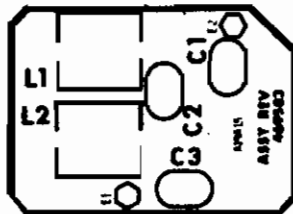
A19-A11



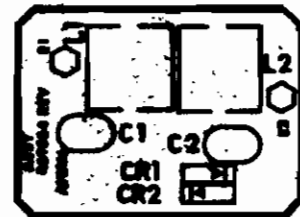
A19-A13



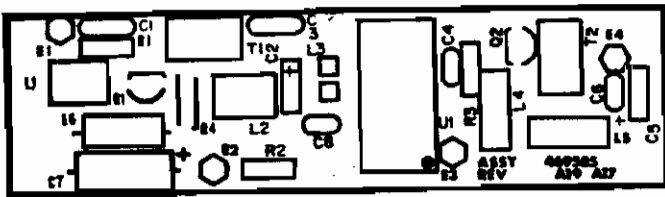
A19-A14



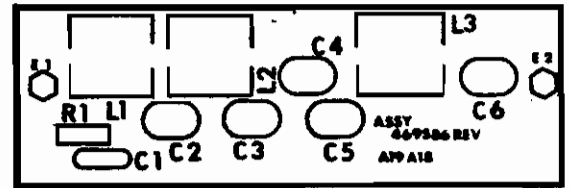
A19-A15



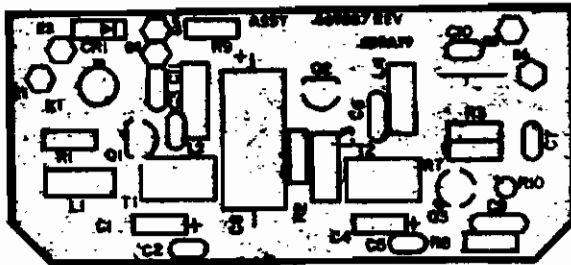
A19-A16



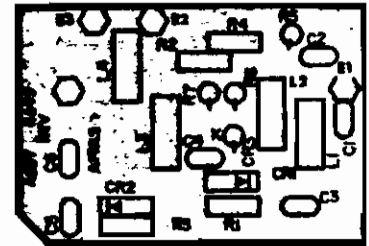
A19-A17



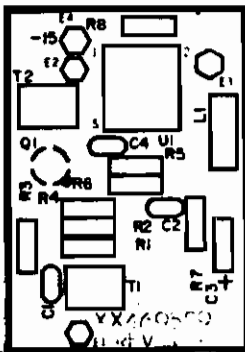
A19-A18



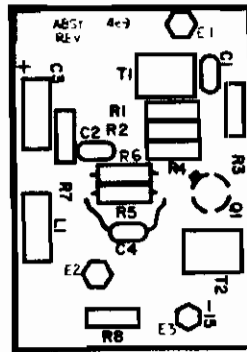
A19-A19



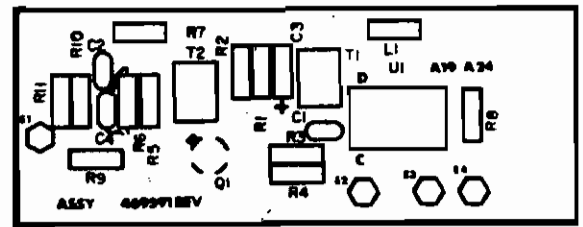
A19-A20, A19-A22 & A19-A25



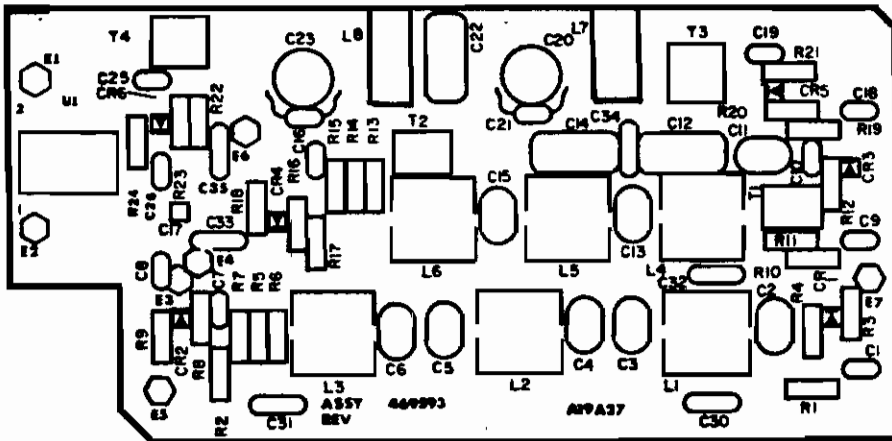
A19-A21



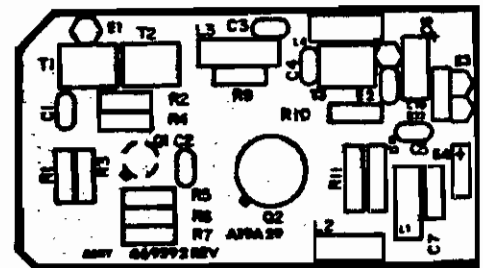
A19-A23 & A19-A26



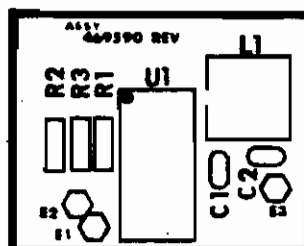
A19-A24



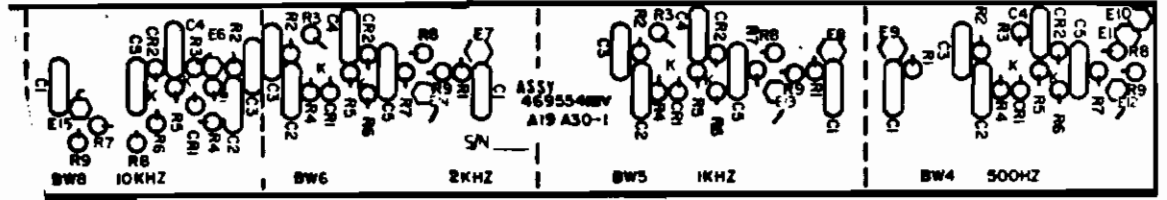
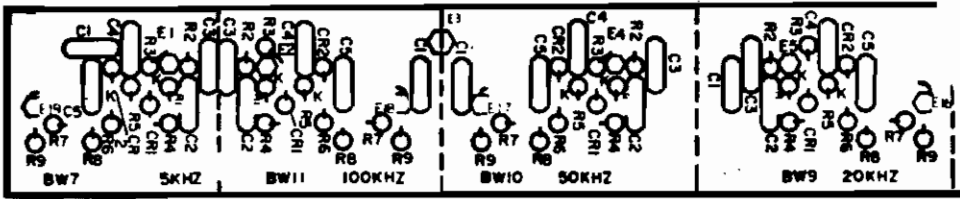
A19-A27



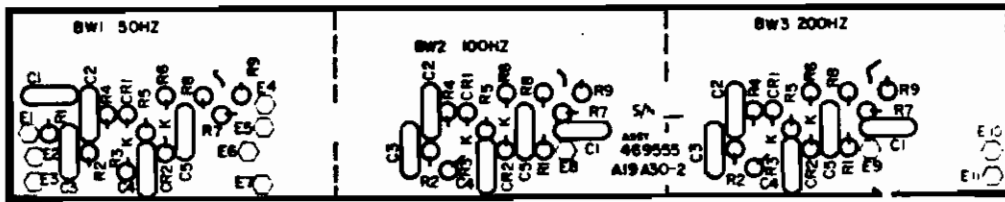
A19-A29



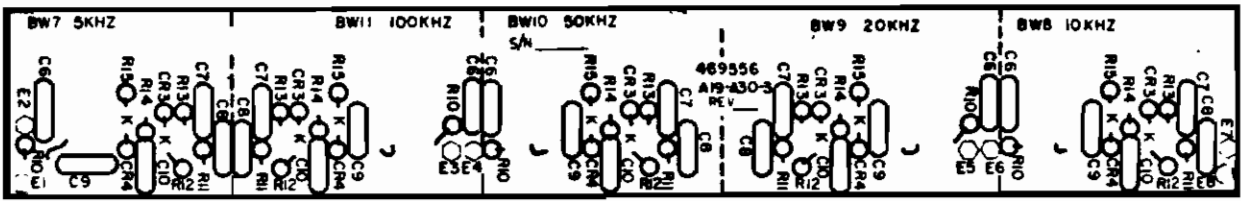
A19-A28



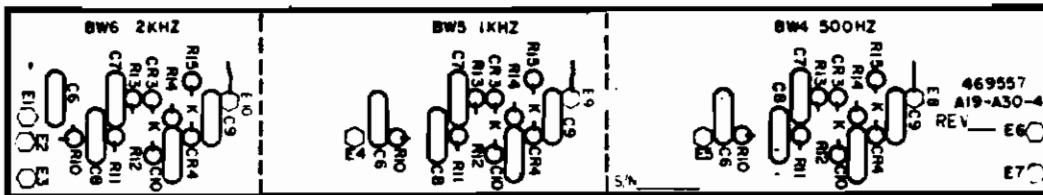
A19-A30-1



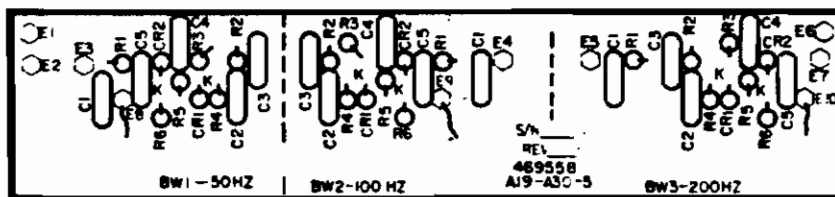
A19-A30-2



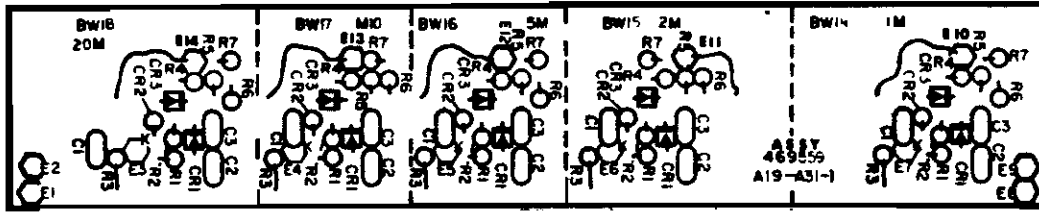
A19-A30-3



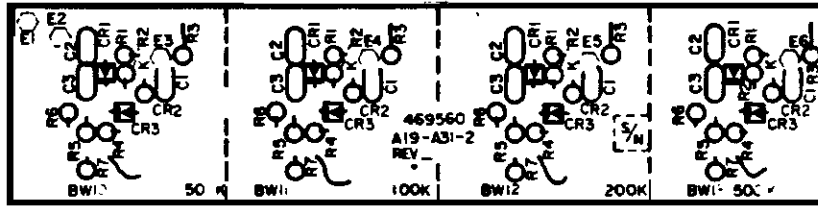
A19-A30-4



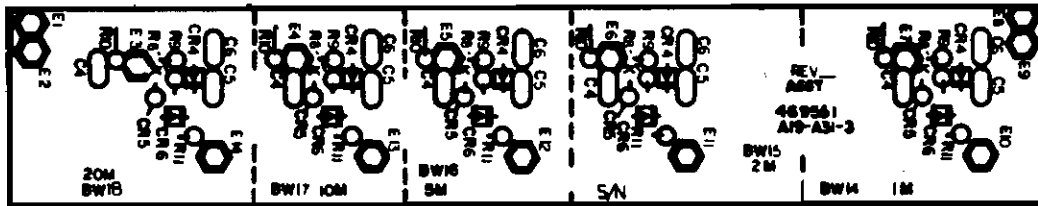
A19-A30-5



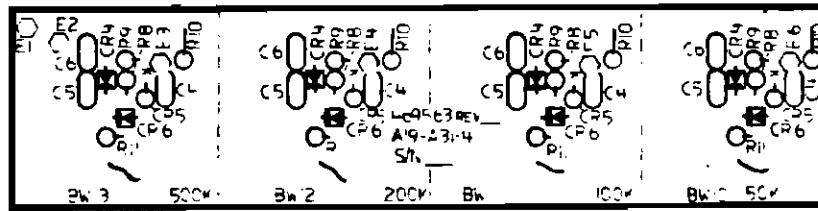
A19-A31-1



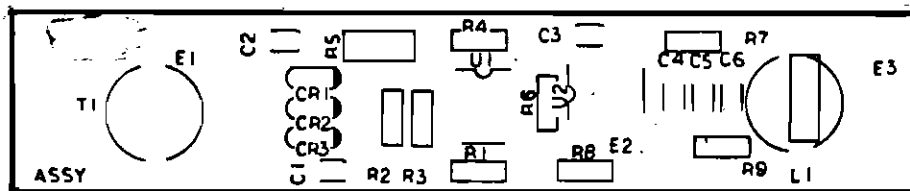
A19-A31-2



A19-A31-3



A19-A31-4



A19A32 & A19A33

Assembly : 469503
Stock Number : 179003

ASSY, CHASSIS, IF

REV J5
05/01/86

Item	Qty	Stk Num	Part Number	Description	Reference Desig.	Mfr
1	1	130144	469020	FAB, CHASSIS, IF		DSI
2	1	180204	469562	ASSY, A19-A1, FILTER, LP	A1	DSI
3	1	180206	469564	ASSY, A19-A2, FILTER	A2	DSI
4	1	180207	469565	ASSY, A19-A3, UPCON	A3	DSI
5	1	180221	469580	ASSY, A19-A4	A4	DSI
6	1	180208	469566	ASSY, A19-A5, FILTER, BP	A5	DSI
7	1	180209	469567	ASSY, A19-A6, DWN, CONN	A6	DSI
8	1	180210	469568	ASSY, A19-A7, AMP, AGC	A7	DSI
9	1	180211	469570	ASSY, A19-A8, AMP	A8	DSI
10	1	180212	469571	ASSY, A19-A9, AMP, AGC	A9	DSI
11	1	180213	469572	ASSY, A19-A10, SEL	A10	DSI
12	1	180214	469573	ASSY, A19-A11, 200KHZ, BP, FILTER	A11	DSI
13	1	180220	469579	ASSY, LOG, AMP, A19-A13	A13	DSI
14	1	180222	469582	ASSY, FILTER, LP, A19-A14	A14	DSI
15	1	180223	469583	ASSY, FILTER, LP, A19-A15	A15	DSI
16	1	180224	469584	ASSY, FILTER, LP, A19-A16	A16	DSI
17	1	180225	469585	ASSY, CONV, B2, A19-A17	A17	DSI
18	1	180226	469586	ASSY, FILTER, BP, A19-A18	A18	DSI
19	1	180227	469587	ASSY, AMP, DET, A19-A19	A19	DSI
20	1	180228	469588	ASSY, PIN, ATT, A19-A20	A20	DSI
21	1	180229	469589	ASSY, AMP, A19-A21	A21	DSI
22	1	180231	469591	ASSY, AMP, A19-A24	A24	DSI
23	1	180233	469593	ASSY, FILTER, BP, A19-A27	A27	DSI
24	1	180230	469590	ASSY, DN, CONV, A19-A28	A28	DSI
25	1	180232	469592	ASSY, OUTPUT, AMP, A19-A29	A29	DSI
26	1	180195	469554	ASSY, A19-A30-1, SWITCH	A30.1	DSI

Assembly : 469503
Stock Number : 179003

ASSY, CHASSIS, IF

REV J5
05/01/86

Item	Qty	Stk Num	Part Number	Description	Reference Desig.	Mfr
27	1	180197	469555	ASSY, A19-A30-2, SWITCH	A30.2	DSI
28	1	180198	469556	ASSY, A19-A30-3, SWITCH	A30.3	DSI
29	1	180199	469557	ASSY, A19-A30-4, SWITCH	A30.4	DSI
30	1	180200	469558	ASSY, A19-A30-5, SWITCH	A30.5	DSI
31	1	180201	469559	ASSY, A19-A31.1, SWITCH	A31.1	DSI
32	1	180202	469560	ASSY, A19-A31-2, SWITCH	A31.2	DSI
33	1	180203	469561	ASSY, A19-A31-3, SWITCH	A31.3	DSI
34	1	180205	469563	ASSY, A19-A31-4, SWITCH	A31.4	DSI
35	80	162001	1270-016	CAP, FEEDTHRU	C1THRU C80	ERI
36	22	141220	051-049-0000-220	CONN, COAX	BD1, 2, J2-21	SEA
37	27	141222	051-311-3196-220	CONN, COAX, SMB, RTA		SEA
39	1	167014	469513	ASSY, 5 KHZ, FILTER	FL7	DSI
40	1	167015	469514	ASSY, 50, 100 KHZ, FILTER	FA3	DSI
41	1	167016	469515	ASSY, 10, 20 KHZ, FILTER	FA2	DSI
42	1	167017	469516	ASSY, 5, 10, 20 MHZ, FILTER	FA5	DSI
43	1	167018	469517	ASSY, 1, 2 MHZ, FILTER	FA4	DSI
44	1	167019	469518	ASSY, 2 KHZ, FILTER	FL6	DSI
45	1	167068	469374	FILTER, CRYSTAL, 1 KHZ	FL5	DSI
46	1	167067	469373	FILTER, CRYSTAL, 500 HZ	FL4	DSI
47	1	167066	469372	FILTER, CRYSTAL, 200 HZ	FL3	DSI
48	1	167065	469371	FILTER, CRYSTAL, 100 HZ	FL2	DSI
49	1	167064	469370	FILTER, CRYSTAL, 50 HZ	FL1	DSI
50	1	167061	469376	FILTER, CRYSTAL, 100 KHZ	FL13	DSI
51	1	167062	469377	FILTER, CRYSTAL, 200 KHZ	FL14	DSI
52	1	167020	469519	ASSY, 500 KHZ, FILTER	FL15	DSI
53	1	167060	469375	FILTER, CRYSTAL, 50 KHZ	FL12	DSI

Assembly : 469503
 Stock Number : 179003

ASSY, CHASSIS, IF

REV JS
 05/01/86

Item	Qty	Stk Num	Part Number	Description	Reference Desig.	Mfr
54	1	163060	DM5CC220J	CAP, MICA, 22 PF	C81	F
55	2	166002	RFC-S-.12	INDUCTOR, .12 UH	L7, 8	NYT
56	8	142039	7A-.250	LUG, GND, 1/4, ID		ZIE
57	1	142022	334, .375	LUG, GND, 3/8, ID		ZIE
58	138	120178	MS51957-4	SCREW, PNHD, 2/56, 5/16		HPR
59	18	120169	MS51957-18	SCREW, PNHD, 4/40, 5/8		HPR
61	106	120170	MS51957-2	SCREW, PNHD, 2-56X3/16		HPR
62	106	120132	MS35338-134	WASHER, SPLITLOCK, #2		HPR
64	24	120260	NAS671C6	NUT, HEX, 6-32		HPR
65	8	120259	NAS671C4	NUT, 4/40		HPR
66	2	120258	NAS671C2	NUT, HEX, 2-56		HPR
67	55	125160	RG178 B/U	CABLE, COAX		ALC
68	2	120297	3585-4CN0375	INSERT, HELECOIL, 1/4-20X.375		HCL
69	1	179071	469030	ASSY, COVER, IF CHASSIS		
70	1	179064	469031	ASSY, COVER, IFCHASSIS, #2		DSI
71	1	179063	469032	ASSY, COVER, IF CHASSIS #3		DSI
72	1	179065	469033	ASSY, COVER, IF CHASSIS #4		DSI
73	1	179066	469034	ASSY, COVER, IF CHASSIS #5		DSI
74	1	130167	469156	CONN, MOUNT, BRACKET		DSI
75	10	120185	MS51957-6	SCREW, PNHD, 2/56X7/16		HPR
76	1	142015	1480C	TERMINAL, TURRET		USE
77	1	141345	050-610-3196-310	CONN, COAX		SEA
78	1	180217	469576	ASSY, AMP, A19-A23	A23	DSI
79	1	180215	469574	ASSY, A19-A12, AMP	A12	DSI
80	1	180216	469575	ASSY, A19-A22, AGC	A22	DSI
81	1	180218	469577	ASSY, AGC, A19-A25	A25	DSI

Assembly : 469503
Stock Number : 179003

ASSY, CHASSIS, IF

REV J5
05/01/86

Item	Qty	Stk Num	Part Number	Description	Reference Desig.	Mfr
82	1	180219	469578	ASSY, AMP, A19-A26	A26	DSI
83	3	166022	WD-68	INDUCTOR, 68 UH	L5, 9, 10	NYT
84	2	154047	RPE113Z5U105M50V	CAP, CER, 1 UF, 50V, 20%	C82, 83	ERI
86	8	120164	MS51957-13	SCREW, PNHD, 4-40X1/4		HPR
87	4	120242	MS35338-135	WASHER, SPLITLOCK, #4		HPR
88	4	120166	MS51957-15	SCREW, PNHD, 4-40X3/8		HPR
89	8	120255	NAS620C4	WASHER, FLAT, #4		HPR
90	1	148022	RL07S360G	RES, M. FILM, 36 HMS, 2%	R1	CGE
91	1	180346	469498	ASSY, PCB, A19-A32, 30MHZ, OL DET	A32	DSI
92	1	180347	469499	ASSY, PCB, A19-A33, 200KHZ, OL DET	A33	DSI
93	2	166015	WD-10	INDUCTOR, 10 UH	L11, 12	NYT
94	1	125307	MPNY-750NA	MOUNTING PAD, CABLE TIE		BRD
95	1	161009	50DA100-131	ATT, PRDG, 100dB	AT7	ALN
96	1	128033	469167	INSULATOR, ATTENUATOR		DSI
97	4	120211	2707-18550-N116	WASHER, NYLON, SHLDR, 5/16		AMA
98	1	145071	CS33S10	RELAY, SPDT	K1	TRS
99	2	120345	N440-3/4-PNHD, NAT	SCREW, NYLON, 4-40X3/4		MIL
100	2	172010	1N914	DIODE, SILICON, D035		MOT
101	1	128032	469166	INSULATOR, RELAY		DSI
102	2	142014	1480A	TERMINAL, INSULATED		USE
103	1	166015	WD-10	INDUCTOR, 10 UH		NYT
104	6	125163	UT85TP	CABLE, COAX		UTI
105	6	125169	#9.1500-9T	SLEEVING, TEFLON, .070 LG		ALC
106	1	142037	75, #4	LUG		ZIE
107	3	141358	227868-1	CONN, COAX, SMA, 085		AMP
108	1	141218	051-011-9702-220	CONN, COAX, SME, RTA		SEA

Assembly : 469503
Stock Number : 179003

ASSY, CHASSIS, IF

REV JS
05/01/86

Item	Qty	Stk Num	Part Number	Description	Reference Desig.	Mfr
109	1	179123	469468	ASSY, IF CHASSIS, CONN		DOT
110	4	172066	1N4002	DIODE, SILICON	CR1-4	MOT

Assembly : 469498
Stock Number : 180346

ASSY, PCB, A19-A32, 30MHZ, OL DET

REV A3
05/01/86

Item	Qty	Stk Num	Part Number	Description	Reference Desig.	Mfr
1	1	147297	469437	PCB, OVERLOAD DETECTOR		DSI
2	1	170620	LM311J-B	I. C. , 311, COMPARATOR	U1	NSC
3	1	170745	LM555	I. C. , 555, TIMER, PLAS, 8 DIP	U2	NSC
4	1	154055	CK05BX104K	CAP, CER, . 10 UF, 50V	C1	AVX
5	1	154074	CK06BX474K	CAP, CER, . 47 UF	C2	AVX
6	2	154050	RPE11425U105M	CAP, CER, 1 UF	C3, 6	ERI
7	1	154054	CK05BX103K	CAP, CER, . 01 UF, 100V	C4	AVX
8	1	154065	CK05BX473K	CAP, CER, . 047 UF, 50V	C5	AVX
9	3	142066	140-1785-02-01-00	TERMINAL, BIFURCATED	E1-3	CAM
10	3	172078	5082-2800	DIODE, SILICON	CR1-3	HEW
11	1	150008	R25J22K	RES, C. FILM, 22K, 1/4W, 5%	R1	ROM
12	1	150022	R25J100	RES, C. FILM, 100 HMS, 1/4W, 5%	R2	ROM
13	1	150039	R25J15K	RES, C. FILM, 15K, 1/4W, 5%	R3	ROM
14	1	150023	R25J8. 2K	RES, C. FILM, 8. 2K, 1/4W, 5%	R4	ROM
15	1	153100	3292W-1-102	RES, VARIABLE, CERMET, 1K	R5	BRN
16	1	150007	R25J10K	RES, C. FILM, 10K, 1/4W, 5%	R6	ROM
17	1	150173	R25J360K	RES, C. FILM, 360K, 1/4W, 5%	R7	ROM
18	1	150129	R25J13K	RES, C. FILM, 13K, 1/4W, 5%	R8	ROM
19	1	150094	R25J5. 1K	RES, C. FILM, 5. 1K, 1/4W, 5%	R9	ROM
21	1	134054	469407	ASSY, TRANSFORMER, TOROID	T1	DSI
22	1	166015	WD-10	INDUCTOR, 10 UH	L1	NYT
23	2	120302	60516390	SCREW, PNHD, #4X1/4, PHIL, SELFTAP		SQU

Assembly : 469499
Stock Number : 180347

ASSY, PCB, A19-A33, 200KHZ, OL DET REV A3
05/01/86

Item	Qty	Stk Num	Part Number	Description	Reference Desig.	Mfr
1	1	147297	469437	PCB, OVERLOAD DETECTOR		
2	1	170620	LM311J-B	I. C. , 311, COMPARATOR	U1	NSC
3	1	170745	LM555	I. C. , 555, TIMER, PLAS, 8 DIP	U2	NSC
4	1	154055	CK05BX104K	CAP, CER, .10 UF, 50V	C1	AVX
5	1	154074	CK06BX474K	CAP, CER, .47 UF	C2	AVX
6	2	154050	RPE11475U105M	CAP, CER, 1 UF	C3, 6	ERI
7	1	154054	CK05BX103K	CAP, CER, .01 UF, 100V	C4	AVX
8	1	154065	CK05BX473K	CAP, CER, .047 UF, 50V	C5	AVX
9	3	142066	140-1785-02-01-00	TERMINAL, BIFURCATED	E1-3	CAM
10	3	172078	5082-2800	DIODE, SILICON	CR1-3	HEW
11	1	150008	R25J22K	RES, C. FILM, 22K, 1/4W, 5%	R1	ROM
13	1	150031	R25J1M	RES, C. FILM, 1M, 1/4W, 5%	R3	ROM
14	1	150023	R25J8. 2K	RES, C. FILM, 8. 2K, 1/4W, 5%	R4	ROM
15	1	153100	3292W-1-102	RES, VARIABLE, CERMET, 1K	R5	L
16	2	150007	R25J10K	RES, C. FILM, 10K, 1/4W, 5%	R2, 6	ROM
17	1	150173	R25J360K	RES, C. FILM, 360K, 1/4W, 5%	R7	ROM
18	1	150129	R25J13K	RES, C. FILM, 13K, 1/4W, 5%	R8	ROM
19	1	150094	R25J5. 1K	RES, C. FILM, 5. 1K, 1/4W, 5%	R9	ROM
21	1	134050	469405	ASSY, TRANSFORMER, TORROID	T1	DSI
22	1	166065	469406	ASSY, INDUCTOR, 720 UH	L1	DSI
23	2	120302	60516390	SCREW, PNHD, #4X1/4, PHIL, SELFTAP		SDU
24	2	120242	MS35338-135	WASHER, SPLITLOCK, #4		HPR
25	2	125307	MPNY-750NA	MOUNTING PAD, CABLE TIE		BRD
26	2	120207	2505	SCREW, PNHD, 6/32, 1/2		HHS
27	2	120206	2258-N171	WASHER, FLAT, INSULATING, #8		AMA
28	2	120209	2555	NUT, HEX, NYLON, 6/32		HHS

Assembly : 469562
Stock Number : 180204

ASSY, A19-A1, FILTER, LP

REV D1
05/01/86

Item	Qty	Stk Num	Part Number	Description	Reference Desig.	Mfr
1	1	154049	RPE12275U104M100V	CAP, CER, .1 UF, 100V	C1	ERI
2	2	158004	CS13BE107K	CAP, TANT, 100 UF, 20V	C2, 3	SPB
3	1	155025	F320B-1802J-050	CAP, FILM, .018 UF	C4	UCC
4	2	155027	F320B-3302J-050	CAP, FILM, .033 UF	C6, 7	UCC
7	2	150058	R25J51K	RES, C. FILM, 51K, 1/4W, 5%	R1, 2	ROM
8	4	120215	350-1249-09-07-00	STANDOFF, 1/8		CAM
9	2	142012	140-2083-02-01-00	TERMINAL, BIF	E1, 2	CAM
12	1	147158	469062	P. C., CARD, A19-A1		DSI
14	2	121056	1127 (350)	SPACER, GLASS		KKR
15	1	134065	472111B	ASSY, INDUCTOR, TABULATED	L1 (USE 472111-3)	DSI
16	1	134066	472111C	ASSY, INDUCTOR, TABULATED	L2 (USE 472111-7)	DSI

Assembly : 469564
Stock Number : 180206

ASSY, A19-A2, FILTER

REV B1
05/01/86

Item	Qty	Stk Num	Part Number	Description	Reference Desig.	Mfr
1	1	155027	F320B-3302J-050	CAP, FILM, .033 UF	C2	UCC
2	1	155025	F320B-1802J-050	CAP, FILM, .018 UF	C3	UCC
3	2	172091	UM4001B	DIODE, PIN	CR1, 2	UNI
5	4	120215	350-1249-09-07-00	STANDOFF, 1/8		CAM
6	2	142012	140-2089-02-01-00	TERMINAL, RIF		CAM
9	2	121049	903-060	SPACER, COMP, .0471. D.		BIV
10	1	147160	469064	P. C. , CARD, A19-A2		DSI
12	1	134066	472111C	ASSY, INDUCTOR, TABULATED	L1 (USE 472111-6)	DSI
13	1	134065	472111B	ASSY, INDUCTOR, TABULATED	L2 (USE 472111-2)	DSI

Assembly : 469565
Stock Number : 180207

ASSY, A19-A3, UPCON

REV B
05/01/86

Item	Qty	Stk Num	Part Number	Description	Reference Desig.	Mfr
1	1	161023	SRA-1	MIXER, DOUBLE, BAL	U1	MCL
2	8	142027	450-7004-01-03-00	JACK		CAM
3	4	120216	350-1249-11-07-00	STANDOFF, 1/4		CAM
4	3	142012	140-2089-02-01-00	TERMINAL, BIF		CAM
5	1	147161	469065	P. C. , CARD, A19-A3		DSI

Assembly : 469580
Stock Number : 180221

ASSY, A19-A4

REV D4
05/01/86

Item	Qty	Stk Num	Part Number	Description	Reference Desig.	Mfr
1	3	154044	RPE11075U103M100V	CAP, CER, .01 UF, 100V	C1, 11, 13	
2	3	154048	RPE12275U103M	CAP, CER, .01 UF, 100V	C2, 3, 7	ERI
3	3	158008	CS138F105K	CAP, TANT, 1 UF, 35V	C8, 9, 10	SPG
4	1	158005	CS138E156K	CAP, TANT, 15 UF, 20V	C12	SPG
5	2	154049	RPE12275U104M100V	CAP, CER, .1 UF, 100V	C5, 6	ERI
6	3	134040	T4-1	TRANSFORMER	L1, 2, T2	MCL
7	3	166015	WD-10	INDUCTOR, 10 UH	L3, 4, 5	NYT
8	2	171097	MPF820	TRANSIS, FET	Q1, 2	MOT
9	1	171087	2N5179	TRANSIS, NPN	Q3	MOT
10	1	171073	2N2369A	TRANSIS, NPN	Q4	MOT
11	2	150107	R25J200	RES, C. FILM, 200 HMS, 1/4W, 5%	R1, 2	ROM
12	1	150054	R25J20	RES, C. FILM, 20 HMS, 1/4W, 5%	R8	ROM
13	2	150094	R25J5.1K	RES, C. FILM, 5.1K, 1/4W, 5%	R3, 5	ROM
14	1	150053	R25J10	RES, C. FILM, 10 HMS, 1/4W, 5%	R4	F
15	2	150004	R25J1K	RES, C. FILM, 1K, 1/4W, 5%	R6, 11	ROM
16	1	150002	R25J330	RES, C. FILM, 330 HMS, 1/4W, 5%	R7	ROM
17	1	150147	R25J510	RES, C. FILM, 510 HMS, 1/4W, 5%	R9	ROM
18	1	150089	R25J18	RES, C. FILM, 18 HMS, 1/4W, 5%	R12	ROM
19	1	150075	R25J240K	RES, C. FILM, 240K, 1/4W, 5%	R13	ROM
20	1	150007	R25J10K	RES, C. FILM, 10K, 1/4W, 5%	R14	ROM
22	1	174003	3MHZ-433340	CRYSTAL, 3 MHZ	Y1	ICC
23	5	120215	350-1249-09-07-00	STANDOFF, 1/8		CAM
24	4	142012	140-2089-02-01-00	TERMINAL, BIF		CAM
25	1	147170	469080	P. C., CARD, A19-A4		DSI
26	13	121056	1127(350)	SPACER, GLASS		KKR
27	2	134078	472106-1, 2	ASSY, TRANSFORMER, TABULATED	T1 (USE 472106-1)	DSI

Assembly : 469580
Stock Number : 180221

ASSY, A19-A4

REV D4
05/01/86

Item	Qty	Stk Num	Part Number	Description	Reference Desig. T3(USE 472106-2)	Mfr
28	1	163016	DM10-680J	CAP, MICA, 68 PF	C14	ARC

Assembly : 469566
Stock Number : 180208

ASSY, A19-A5, FILTER, BP

REV C1
05/01/86

Item	Qty	Stk Num	Part Number	Description	Reference Desig.	Mfr
1	5	163073	DM5EC620J	CAP, MICA, 62 PF	C1, 3, 5, 7, 9	ARC
2	2	163022	DM15-911J	CAP, MICA, 910 PF	C2, 8	ARC
3	2	163019	DM15-102J	CAP, MICA, 1000 PF	C4, 6	ARC
5	6	120215	350-1249-09-07-00	STANDOFF, 1/8		CAM
6	2	142012	140-2089-02-01-00	TERMINAL, BIF		CAM
7	1	147162	469066	P. C., CARD, A19-A5		DSI
10	2	134097	472109-1, 2	ASSY, INDUCTOR, TABULATED	L1 (USE 472109-2) L5 (USE 472109-1)	DSI
11	3	134098	472109-3-5	ASSY, INDUCTOR, TABULATED	L2 (USE 472109-3) L3 (USE 472109-4) L4 (USE 472109-5)	DSI

Assembly : 469567
Stock Number : 180209

ASSY, A19-A6, DWN, CONN

REV B1
05/01/86

Item	Qty	Stk Num	Part Number	Description	Reference Desig.	Mfr
1	2	163034	DM19-562J	CAP, MICA, 5600 PF	C1,3	
2	1	155024	F320B-1502J-050	CAP, FILM, .015 UF	C2	UCC
3	1	166019	WD-2.2	INDUCTOR, 2.2 UH	L1	NYT
4	2	134084	472101-5,6	ASSY, INDUCTOR/TRANSFORMER, TAB	L2 (USE 472101-5) L3 (USE 472101-6)	DSI
5	1	161023	SRA-1	MIXER, DOUBLE, BAL	U1	MCL
6	4	120215	350-1249-09-07-00	STANDOFF, 1/8		CAM
7	3	142012	140-2089-02-01-00	TERMINAL, BIF		CAM
8	1	147163	469067	P. C., CARD, A19-A6		DSI

Assembly : 469568
Stock Number : 180210

ASSY, A19-A7, AMP, AGC

REV E2
05/01/85

Item	Qty	Stk Num	Part Number	Description	Reference Desig.	Mfr
1	1	154051	RPE113Z5U334M100V	CAP, CER, .33 UF, 100V	C1	ERI
2	2	158005	CS13RE156K	CAP, TANT, 15 UF, 20V	C2, 3	SPG
3	3	154049	RPE122Z5U104M100V	CAP, CER, .1 UF, 100V	C4, 5, 7	ERI
4	1	154048	RPE122Z5U103M	CAP, CER, .01 UF, 100V	C8	ERI
5	2	154044	RPE110Z5U103M100V	CAP, CER, .01 UF, 100V	C6, 9	ERI
6	3	172091	UM4001B	DIODE, PIN	CR1-3	UNI
7	1	172071	1N751A	DIODE, ZENER, 5.1V, .4W, 5%	CR4	MOT
8	2	172010	1N914	DIODE, SILICON, D035	CR5, 6	MOT
9	1	145067	732-18	RELAY, DPDT	K1	TLR
10	2	150105	R25J39	RES, C. FILM, 39 HMS, 1/4W, 5%	R1, 2	ROM
11	1	150004	R25J1K	RES, C. FILM, 1K, 1/4W, 5%	R3	ROM
12	1	150035	R25J820	RES, C. FILM, 820 HMS, 1/4W, 5%	R4	ROM
13	2	150144	R25J39K	RES, C. FILM, 39K, 1/4W, 5%	R6, 7	ROM
14	1	150026	R25J560	RES, C. FILM, 560 HMS, 1/4W, 5%	R8	ROM
15	1	150061	R25J680	RES, C. FILM, 680 HMS, 1/4W, 5%	R9	ROM
16	1	150055	R25J1.3K	RES, C. FILM, 1.3K, 1/4W, 5%	R10	ROM
17	1	150054	R25J20	RES, C. FILM, 20 HMS, 1/4W, 5%	R11	ROM
18	1	150116	R25J56	RES, C. FILM, 56 HMS, 1/4W, 5%	R12	ROM
19	1	150107	R25J200	RES, C. FILM, 200 HMS, 1/4W, 5%	R5	ROM
21	1	171072	2N2222A	TRANSIS, NPN	Q2	MOT
22	1	171083	2N4416	TRANSIS, FET	Q1	MOT
23	6	120215	350-1249-09-07-00	STANDOFF, 1/8		CAM
24	7	142012	140-2089-02-01-00	TERMINAL, BIF		CAM
25	1	147164	469068	P. C. , CARD, A19-A7		DSI
28	4	121056	1127(350)	SPACER, GLASS		KKR
29	1	134090	472113E	ASSY, INDUCTOR/TRANSFORMER, TAB	T1 (USE 472113-7)	DSI

Assembly : 469568
Stock Number : 180210

ASSY, A19-A7, AMP, AGC

REV E2
05/01/86

Item	Qty	Stk Num	Part Number	Description	Reference Desig.	Mfr
30	1	134094	472113I	ASSY, INDUCTOR/TRANSFORMER, TAB	L1 (USE 472113-14)	:

Assembly : 469570
Stock Number : 180211

ASSY, A19-AB, AMP

REV C
05/01/86

Item	Qty	Stk Num	Part Number	Description	Reference Desig.	Mfr
1	2	158004	CS138E107K	CAP, TANT, 100 UF, 20V	C1, 3	SPG
2	1	154049	RPE12275U104M100V	CAP, CER, .1 UF, 100V	C2	ERI
3	1	154051	RPE11375U334M100V	CAP, CER, .33 UF, 100V	C4	ERI
4	2	172010	1N914	DIODE, SILICON, D035	CR1, 2	MOT
5	4	120215	350-1249-09-07-00	STANDOFF, 1/8		CAM
6	4	142012	140-2089-02-01-00	TERMINAL, BIF		CAM
7	3	171072	2N2222A	TRANSIS, NPN	Q1, 2, 4	MOT
8	2	171076	2N2907A	TRANSIS, PNP	Q3, 5	MOT
9	2	150134	R25J24	RES, C. FILM, 24 HMS, 1/4W, 5%	R1, 4	ROM
10	1	150004	R25J1K	RES, C. FILM, 1K, 1/4W, 5%	R2	ROM
11	1	150007	R25J10K	RES, C. FILM, 10K, 1/4W, 5%	R3	ROM
12	1	150155	R25J9.1K	RES, C. FILM, 9.1K, 1/4W, 5%	R5	ROM
13	1	150147	R25J510	RES, C. FILM, 510 HMS, 1/4W, 5%	R6	ROM
14	1	150043	R25J27K	RES, C. FILM, 27K, 1/4W, 5%	R7	ROM
15	1	150097	R25J240	RES, C. FILM, 240 HMS, 1/4W, 5%	R8	ROM
16	1	150138	R25J3K	RES, C. FILM, 3K, 1/4W, 5%	R9	ROM
17	2	150105	R25J39	RES, C. FILM, 39 HMS, 1/4W, 5%	R10, 11	ROM
18	1	150035	R25J820	RES, C. FILM, 820 HMS, 1/4W, 5%	R12	ROM
19	1	147165	469070	P. C., CARD, A19-AB		DSI

Assembly : 469574
Stock Number : 180215

ASSY, A19-A12, AMP

REV B
05/01/86

Item	Qty	Stk Num	Part Number	Description	Reference Desig.	Mfr
1	2	150004	CS13BE107K	CAP, TANT, 100 UF, 20V	C1, 3	
2	1	154049	RPE12275U104M100V	CAP, CER, .1 UF, 100V	C2	ERI
3	1	154051	RPE11375U334M100V	CAP, CER, .33 UF, 100V	C4	ERI
4	1	154061	CK05BX332K	CAP, CER, .0033 UF	C5	AVX
5	2	172010	1N914	DIODE, SILICON, D035	CR1, 2	MOT
6	3	171072	2N2222A	TRANSIS, NPN	Q1, 2, 4	MOT
7	2	171076	2N2907A	TRANSIS, PNP	Q3, 5	MOT
8	2	150134	R25J24	RES, C. FILM, 24 HMS, 1/4W, 5%	R1, 4	ROM
9	1	149002	R10J1K	RES, C. FILM, 1K, 1/8W, 5%	R2	ROM
10	1	150155	R25J9.1K	RES, C. FILM, 9.1K, 1/4W, 5%	R5	ROM
11	2	150147	R25J510	RES, C. FILM, 510 HMS, 1/4W, 5%	R3, 6	ROM
12	1	150007	R25J10K	RES, C. FILM, 10K, 1/4W, 5%	R7	ROM
13	1	150097	R25J240	RES, C. FILM, 240 HMS, 1/4W, 5%	R8	ROM
14	1	150138	R25J3K	RES, C. FILM, 3K, 1/4W, 5%	R9	R
15	2	150105	R25J39	RES, C. FILM, 39 HMS, 1/4W, 5%	R10, 11	ROM
16	1	150033	R25J47	RES, C. FILM, 47 HMS, 1/4W, 5%	R12	ROM
17	4	120215	350-1249-09-07-00	STANDOFF, 1/8		CAM
18	4	142012	140-2089-02-01-00	TERMINAL, BIF		CAM
19	1	147165	469070	P. C. , CARD, A19-AB		DSI

Assembly : 469571
Stock Number : 180212

ASSY, A19-A9, AMP, ABC

REV B1
05/01/86

Item	Qty	Stk Num	Part Number	Description	Reference Desig.	Mfr
1	1	154044	RPE110Z5U103M100V	CAP, CER, .01 UF, 100V	C1	ERI
2	1	154054	CK05BX103K	CAP, CER, .01 UF, 100V	C5	AVX
3	5	154049	RPE12275U104M100V	CAP, CER, .1 UF, 100V	C2, 3, 6, 8, 9	ERI
4	2	158005	CS13BE156K	CAP, TANT, 15 UF, 20V	C4, 7	SPG
5	1	172072	1N753A	DIODE, ZENER, 6.2V, .4W, 5%	CR1	MOT
6	3	172091	UM4001B	DIODE, PIN	CR2-4	UNI
7	2	172010	1N914	DIODE, SILICON, D035	CR5, 6	MOT
8	1	145067	732-18	RELAY, DPDT	K1	TLR
9	1	134094	472113I	ASSY, INDUCTOR/TRANSFORMER, TAB	L1 (USE 472113-15)	DSI
10	1	171083	2N4416	TRANSIS, FET	Q1	MOT
11	1	171072	2N2222A	TRANSIS, NPN	Q2	MOT
12	1	171076	2N2907A	TRANSIS, PNP	Q3	MOT
13	1	150149	R25J62	RES, C. FILM, 62 HMS, 1/4W, 5%	R1	ROM
14	1	150061	R25J680	RES, C. FILM, 680 HMS, 1/4W, 5%	R2	ROM
15	1	150037	R25J1.5K	RES, C. FILM, 1.5K, 1/4W, 5%	R3	ROM
16	1	150081	R25J51	RES, C. FILM, 51 HMS, 1/4W, 5%	R4	ROM
17	1	150078	R25J20K	RES, C. FILM, 20K, 1/4W, 5%	R5	ROM
18	1	150004	R25J1K	RES, C. FILM, 1K, 1/4W, 5%	R6	ROM
19	1	150053	R25J10	RES, C. FILM, 10 HMS, 1/4W, 5%	R7	ROM
20	1	150150	R25J620	RES, C. FILM, 620 HMS, 1/4W, 5%	R8	ROM
21	3	150147	R25J510	RES, C. FILM, 510 HMS, 1/4W, 5%	R9-11	ROM
22	2	150105	R25J39	RES, C. FILM, 39 HMS, 1/4W, 5%	R12, 13	ROM
23	1	150007	R25J10K	RES, C. FILM, 10K, 1/4W, 5%	R14	ROM
24	6	120215	350-1249-09-07-00	STANDOFF, 1/8		CAM
25	8	142012	140-2089-02-01-00	TERMINAL, BIF	E1-8	CAM
26	1	147166	469071	P. C., CARD, A19-A9		DSI

Assembly : 469572
Stock Number : 180213

ASSY, A19-A10, SEL

REV D1
05/01/86

Item	Qty	Stk Num	Part Number	Description	Reference Desig.	Mfr
1	2	154044	RPE11075U103M100V	CAP, CER, .01 UF, 100V	C1, 2	ERI
2	1	154049	RPE12275U104M100V	CAP, CER, .1 UF, 100V	C4	ERI
3	2	158005	CS13BE156K	CAP, TANT, 15 UF, 20V	C3, 5	SPG
4	1	155026	F320B-2702J-050	CAP, FILM, .027 UF	C6	UCC
5	3	172091	UM4001B	DIODE, PIN	CR2-4	UNI
6	4	172010	1N914	DIODE, SILICON, D035	CR5-8	MOT
7	1	145067	732-18	RELAY, DPDT	K1	TLR
8	1	145065	732-12	RELAY, DPDT	K2	TLR
11	1	171072	2N2222A	TRANSIS, NPN	Q1	MOT
12	1	150061	R25J680	RES, C. FILM, 680 HMS, 1/4W, 5%	R1	ROM
13	1	150037	R25J1.5K	RES, C. FILM, 1.5K, 1/4W, 5%	R2	ROM
14	1	150081	R25J51	RES, C. FILM, 51 HMS, 1/4W, 5%	R3	ROM
15	1	150007	R25J10K	RES, C. FILM, 10K, 1/4W, 5%	R4	ROM
16	2	150147	R25J510	RES, C. FILM, 510 HMS, 1/4W, 5%	R5, 10	F
17	1	150054	R25J20	RES, C. FILM, 20 HMS, 1/4W, 5%	R6	ROM
18	1	150004	R25J1K	RES, C. FILM, 1K, 1/4W, 5%	R7	ROM
19	2	150105	R25J39	RES, C. FILM, 39 HMS, 1/4W, 5%	R8, 9	ROM
20	6	120215	350-1249-09-07-00	STANDOFF, 1/8		CAM
21	8	142012	140-2089-02-01-00	TERMINAL, BIF	E1-8	CAM
22	1	147167	469072	P. C., CARD, A19-A10		DSI
27	1	154071	CK06BX105K	CAP, CER, 1 UF	C7	AVX
28	5	121056	1127(350)	SPACER, GLASS		KKR
29	1	134094	472113I	ASSY, INDUCTOR/TRANSFORMER, TAB	L1 (USE 472113-16)	DSI
30	1	134062	472110-1	ASSY, TRANSFORMER, TABULATED	T1 (USE 472110-1)	DSI

Assembly : 469573
Stock Number : 180214

ASSY, A19-A11, 200KHZ, BP, FILTER

REV B1
05/01/86

Item	Qty	Stk Num	Part Number	Description	Reference Desig.	Mfr
1	2	163022	DM15-911J	CAP, MICA, 910 PF	C1,3	ARC
2	1	163041	DM19-472J	CAP, MICA, 4700 PF	C2	ARC
3	2	163030	DM15-511J	CAP, MICA, 510 PF	C4,5	ARC
5	4	120215	350-1249-09-07-00	STANDOFF, 1/8		CAM
6	2	142012	140-2089-02-01-00	TERMINAL, BIF		CAM
7	1	147168	469073	P.C., CARD, A19-A11		DSI
10	1	134066	472113A	ASSY, INDUCTOR/TRANSFORMER, TAB	L2 (USE 472113-1)	DSI
11	2	134087	472113B	ASSY, INDUCTOR/TRANSFORMER, TAB	L1 (USE 472113-2) L3 (USE 472113-3)	DSI

Assembly : 469579
Stock Number : 180220

ASSY, LOG, AMP, A19-A13

REV E1
05/01/86

Item	Qty	Stk Num	Part Number	Description	Reference Desig.	Mfr
1	1	154049	RPE12275U104M100V	CAP, CER, .1 UF, 100V	C1	I
2	2	154051	RPE11375U334M100V	CAP, CER, .33 UF, 100V	C2, 6	ERI
3	6	154044	RPE11075U103M100V	CAP, CER, .01 UF, 100V	C3, 7, 8, 9, 10, 12	ERI
4	1	154048	RPE12275U103M	CAP, CER, .01 UF, 100V	C11	ERI
5	2	158005	CS13BE156K	CAP, TANT, 15 UF, 20V	C4, 5	SPG
6	2	158008	CS13BF105K	CAP, TANT, 1 UF, 35V	C16, 17	SPG
7	3	163052	DM5CC100J	CAP, MICA, 10 PF	C13-15	ARC
8	2	163078	DM5FY221J	CAP, MICA, 220 PF	C18, 19	ARC
9	6	120215	350-1249-09-07-00	STANDOFF, 1/8		CAM
10	2	172072	1N753A	DIODE, ZENER, 6.2V, .4W, 5%	CR1, 2	MOT
11	4	142012	140-2089-02-01-00	TERMINAL, BIF	E1, 2, 3, 4	CAM
12	6	171072	2N2222A	TRANSIS, NPN	Q1, 2, 4, 5, 7, 8	MOT
13	3	171076	2N2907A	TRANSIS, PNP	Q3, 6, 9	MOT
14	3	150004	R25J1K	RES, C. FILM, 1K, 1/4W, 5%	R1, 9, 22	F
15	3	150006	R25J4.7K	RES, C. FILM, 4.7K, 1/4W, 5%	R2, 25, 10	ROM
16	1	150078	R25J20K	RES, C. FILM, 20K, 1/4W, 5%	R3	ROM
17	3	150061	R25J51	RES, C. FILM, 51 HMS, 1/4W, 5%	R4, 12, 30	ROM
18	3	150154	R25J910	RES, C. FILM, 910 HMS, 1/4W, 5%	R6, 14, 24	ROM
19	1	150065	R25J120	RES, C. FILM, 120 HMS, 1/4W, 5%	R7	ROM
20	1	150034	R25J150	RES, C. COMP, 150 HMS, 1/4W, 5%	R8	ROM
21	1	150042	R25J6.2K	RES, C. FILM, 6.2K, 1/4W, 5%	R27	ROM
22	2	150007	R25J10K	RES, C. FILM, 10K, 1/4W, 5%	R16, 21	ROM
23	2	150001	R25J2.2K	RES, C. FILM, 2.2K, 1/4W, 5%	R17, 18	ROM
24	2	150013	R25J3.6K	RES, C. FILM, 3.6K, 1/4W, 5%	R19, 20	ROM
25	1	150005	R25J2.7K	RES, C. FILM, 2.7K, 1/4W, 5%	R11	ROM
26	1	150094	R25J5.1K	RES, C. FILM, 5.1K, 1/4W, 5%	R23	ROM

Assembly : 469579
Stock Number : 180220

ASSY, LOG, AMP, A19-A13

REV E1
05/01/86

Item	Qty	Stk Num	Part Number	Description	Reference Desig.	Mfr
27	2	150022	R25J100	RES, C. FILM, 100 HMS, 1/4W, 5%	R28, 29	ROM
28	2	153079	3329P-1-101K	RES, ADJ, 100 HMS	RS, 13	BRN
29	1	153081	3329P-1-103K	RES, ADJ, 10K	R15	BRN
30	1	153071	3299W-1-103K	RES, ADJ, 10K	R26	BRN
31	1	141225	516-AG-100	SOCKET, 16 PIN, I. C.	U1	AUG
32	1	170682	TL441CJ	I. C., 441	U1	TXI
33	1	147169	469079	P. C., CARD, A19-A13		DSI
34	20	121056	1127(350)	SPACER, GLASS		KKR
35	1	125155	TFT200, 18GA.	SLEEVING, TEFLON		ALC

Assembly : 469582

Stock Number : 180222

ASSY, FILTER, LP, A19-A14

REV C3

05/01/86

Item	Qty	Stk Num	Part Number	Description	Reference Desig.	Mfr
1	1	154049	RPE12275U104M100V	CAP, CER, .1 UF, 100V	C1	Γ
2	1	163010	DM10-201J	CAP, MICA, 200 PF	C2	ARC
3	1	163004	DM10-331J	CAP, MICA, 330 PF	C3	ARC
6	2	134104	472102F	ASSY, INDUCTOR, TABULATED	L1 (USE 472102-10) L2 (USE 472102-11)	DSI
7	4	142012	140-2089-02-01-00	TERMINAL, BIF		CAM
8	4	120215	350-1249-09-07-00	STANDOFF, 1/8		CAM
9	1	147171	469082	P. C. , CARD, A19-A14		DSI
10	2	172082	5082-3108	DIODE, PIN	CR2, CR3	HEW
11	12	125276	26-T/C	WIRE, BUSS, 26 GA		PIW
12	1	150004	R25J1K	RES. C. FILM, 1K, 1/4W, 5%	R1	ROM

Assembly : 469583
Stock Number : 180223

ASSY, FILTER, LP, A19-A15

REV B1
05/01/85

Item	Qty	Stk Num	Part Number	Description	Reference Desig.	Mfr
1	3	163004	DM10-331J	CAP, MICA, 330 PF	C1-3	ARC
2	2	134104	472102F	ASSY, INDUCTOR, TABULATED	L1 (USE 472102-14) L2 (USE 472102-16)	DSI
3	4	120215	350-1249-09-07-00	STANDOFF, 1/8		CAM
4	2	142012	140-2089-02-01-00	TERMINAL, BIF		CAM
5	1	147172	469083	P. C., CARD, A19-A15		DSI

Assembly : 469584
Stock Number : 180224

ASSY, FILTER, LP, A19-A16

REV C1
05/01/86

Item	Qty	Stk Num	Part Number	Description	Reference Desig.	Mfr
1	1	163004	DM10-331J	CAP, MICA, 330 PF	C1	r
2	1	163008	DM10-181J	CAP, MICA, 180 PF	C2	ARC
3	2	172091	UM4001B	DIODE, PIN	CR1,2	UNI
4	2	134104	472102F	ASSY, INDUCTOR, TABULATED	L1(USE 472102-12) L2(USE 472102-15)	DSI
5	2	142012	140-2089-02-01-00	TERMINAL, BIF		CAM
6	4	120215	350-1249-09-07-00	STANDOFF, 1/8		CAM
7	1	147173	469084	P. C., CARD, A19-A16		DSI

Assembly : 469585
Stock Number : 180225

ASSY, CONV, B2, A19-A17

REV C1
05/01/86

Item	Qty	Stk Num	Part Number	Description	Reference Desig.	Mfr
1	2	154049	RPE12275U104M100V	CAP, CER, .1 UF, 100V	C1,3	ERI
2	2	158008	CS13BF105K	CAP, TANT, 1 UF, 35V	C2,5	SPG
3	3	154044	RPE11075U103M100V	CAP, CER, .01 UF, 100V	C4,6,8	ERI
4	1	158005	CS13BE156K	CAP, TANT, 15 UF, 20V	C7	SPG
6	2	134040	T4-1	TRANSFORMER	L1,2	MCL
7	2	165008	2673-000101	CORE, BEAD, CHOKE	L3 (2 EA)	MIM
8	2	166015	WD-10	INDUCTOR, 10 UH	L4,5	NYT
10	2	171097	MPF820	TRANSIS, FET	Q1,2	MOT
11	2	150107	R25J200	RES, C. FILM, 200 HMS, 1/4W, 5%	R1,3	ROM
12	1	150134	R25J24	RES, C. FILM, 24 HMS, 1/4W, 5%	R2	ROM
13	6	120216	350-1249-11-07-00	STANDOFF, 1/4		CAM
14	4	142012	140-2089-02-01-00	TERMINAL, BIF		CAM
17	8	142027	450-7004-01-03-00	JACK		CAM
18	1	161024	SRA-1-1	MIXER, DOUBLE, BAL	U1	MCL
19	1	147174	469085	P. C., CARD, A19-A17		DSI
20	1	166017	WD-12	INDUCTOR, 12 UH	L6	NYT
21	1	150039	R25J15K	RES, C. FILM, 15K, 1/4W, 5%	R4	ROM
22	1	134079	472106-3	ASSY, TRANSFORMER, TABULATED	T1 (USE 472106-3)	DSI
23	1	134076	472107-1	ASSY, TRANSFORMER, TABULATED	T2 (USE 472107-1)	DSI

Assembly : 469586
Stock Number : 180226

ASSY, FILTER, BP, A19-A18

REV C1
05/01/86

Item	Qty	Stk Num	Part Number	Description	Reference Desig.	Mfr
1	1	154064	CK058X472K	CAP, CER, 4700 PF	C1	
2	1	163015	DM10-510J	CAP, MICA, 51 PF	C2	ARC
3	2	163006	DM10-121J	CAP, MICA, 120 PF	C3, 5	ARC
4	2	163012	DM10-360J	CAP, MICA, 36 PF	C4, 6	ARC
6	1	150107	R25J200	RES, C. FILM, 200 HMS, 1/4W, 5%	R1	ROM
7	6	120215	350-1249-09-07-00	STANDOFF, 1/8		CAM
8	2	142012	140-2089-02-01-00	TERMINAL, BIF		CAM
9	1	147175	469086	P. C., CARD, A19-A18		DSI
10	1	134111	472102M	ASSY, INDUCTOR, TABULATED	L3 (USE 472102-28)	DSI
11	2	134115	472102Q	ASSY, INDUCTOR, TABULATED	L1 (USE 472102-32) L2 (USE 472102-33)	DSI

Assembly : 469587
Stock Number : 180227

ASSY, AMP, DET, A19-A19

REV D1
05/01/86

Item	Qty	Stk Num	Part Number	Description	Reference Desig.	Mfr
1	2	158008	CS138F105K	CAP, TANT, 1 UF, 35V	C1, 4	SPG
2	6	154044	RPE11075U103M100V	CAP, CER, .01 UF, 100V	C2, 3, 5, 6, 7, 10	ERI
3	1	158005	CS138E156K	CAP, TANT, 15 UF, 20V	C8	SPG
4	1	163014	DM10-470J	CAP, MICA, 47 PF	C9	ARC
5	1	154053	CK05BX102K	CAP, CER, .001 UF	C11	AVX
6	1	172010	1N914	DIODE, SILICON, D035	CR1	MGT
7	1	145067	732-18	RELAY, DPDT	K1	TLR
8	4	166015	WD-10	INDUCTOR, 10 UH	L1-4	NYT
9	2	171097	MPF820	TRANSIS, FET	Q1, 2	MGT
10	1	171073	2N2369A	TRANSIS, NPN	Q3	MGT
12	6	120215	350-1249-09-07-00	STANDOFF, 1/8		CAM
13	6	142012	140-2089-02-01-00	TERMINAL, BIF		CAM
14	1	150037	R25J1.5K	RES, C. FILM, 1.5K, 1/4W, 5%	R3	ROM
15	1	150007	R25J10K	RES, C. FILM, 10K, 1/4W, 5%	R7	ROM
16	1	150004	R25J1K	RES, C. FILM, 1K, 1/4W, 5%	R8	ROM
17	1	150134	R25J24	RES, C. FILM, 24 HMS, 1/4W, 5%	R9	ROM
18	1	150075	R25J240K	RES, C. FILM, 240K, 1/4W, 5%	R10	ROM
19	2	150107	R25J200	RES, C. FILM, 200 HMS, 1/4W, 5%	R1, 2	ROM
20	1	147176	469087	P. C., CARD, A19-A19		DSI
21	1	121056	1127(350)	SPACER, GLASS		KKR
22	2	134077	472107-2, 3	ASSY, TRANSFORMER, TABULATED	T1 (USE 472107-2) T2 (USE 472107-2)	DSI

Assembly : 469588

Stock Number : 180228

ASSY, PIN, ATT, A19-A20

REV E

05/01/86

Item	Qty	Stk Num	Part Number	Description	Reference Desig.	Mfr
1	6	154044	RPE110Z5U103M100V	CAP, CER, .01 UF, 100V	C1-6	r
2	3	172091	UM4001B	DIODE, PIN	CR1, 2, 3	UNI
3	4	120215	350-1249-09-07-00	STANDOFF, 1/8		CAM
4	4	166015	WD-10	INDUCTOR, 10 UH	L1-4	NYT
5	4	142012	140-2089-02-01-00	TERMINAL, BIF	E1-E4	CAM
6	2	150146	R25J43	RES, C. FILM, 43 HMS, 1/4W, 5%	R1, 3	ROM
7	1	150038	R25J1.8K	RES, C. FILM, 1.8K, 1/4W, 5%	R2	ROM
8	1	150004	R25J1K	RES, C. FILM, 1K, 1/4W, 5%	R4	ROM
9	2	150053	R25J10	RES, C. FILM, 10 HMS, 1/4W, 5%	R6, 7	ROM
10	1	147177	469088	P. C., CARD, A19-A20		DSI
11	2	121056	1127 (350)	SPACER, GLASS		KKR
12	1	121057	1130	SPACER, GLASS		KKR

Assembly : 469589
Stock Number : 180229

ASSY, AMP, A19-A21

REV D
05/01/86

Item	Qty	Stk Num	Part Number	Description	Reference Desig.	Mfr
1	2	154044	RPE11075U103M100V	CAP, CER, .01 UF, 100V	C1,2	ERI
2	1	158008	CS13BF105K	CAP, TANT, 1 UF, 35V	C3	SPG
3	1	154043	RPE121C0G102J100V	CAP, CER, .001 UF, 100V	C4	ERI
4	1	166015	WD-10	INDUCTOR, 10 UH	L1	NYT
5	1	171087	2N5179	TRANSIS, NPN	Q1	MOT
6	2	150094	R25J5. 1K	RES, C. FILM, 5. 1K, 1/4W, 5%	R1,2	ROM
7	1	150037	R25J1. 5K	RES, C. FILM, 1. 5K, 1/4W, 5%	R3	ROM
8	2	150053	R25J10	RES, C. FILM, 10 HMS, 1/4W, 5%	R4,5	ROM
9	1	150131	R25J16	RES, C. FILM, 16 HMS, 1/4W, 5%	R6	ROM
10	1	150118	R25J390	RES, C. FILM, 390 HMS, 1/4W, 5%	R7	ROM
11	1	150134	R25J24	RES, C. FILM, 24 HMS, 1/4W, 5%	R8	ROM
12	2	134040	T4-1	TRANSFORMER	T1,2	MCL
13	1	161018	FPS-109	POWER, DIVIDER	U1	MCL
14	4	120215	350-1249-09-07-00	STANDOFF, 1/8		CAM
15	4	142012	140-2089-02-01-00	TERMINAL, BIF	E1-E4	CAM
16	1	147213	469189	P. C. , CARD, A19-A21		DSI

Assembly : 469575
Stock Number : 180216

ASSY, A19-A22, AGC

REV E
05/01/86

Item	Qty	Stk Num	Part Number	Description	Reference Desig.	Mfr
1	6	154044	RPE11075U103M100V	CAP, CER, .01 UF, 100V	C1-6	E
2	3	172091	UM4001B	DIODE, PIN	CR1-3	UNI
3	4	120215	350-1249-09-07-00	STANDOFF, 1/8		CAM
4	4	166015	WD-10	INDUCTOR, 10 UH	L1-4	NYT
5	5	142012	140-2089-02-01-00	TERMINAL, BIF		CAM
6	2	150105	R25J39	RES, C. FILM, 39 HMS, 1/4W, 5%	R1, 3	ROM
7	1	150038	R25J1.8K	RES, C. FILM, 1.8K, 1/4W, 5%	R2	ROM
8	1	150004	R25J1K	RES, C. FILM, 1K, 1/4W, 5%	R4	ROM
9	2	150053	R25J10	RES, C. FILM, 10 HMS, 1/4W, 5%	R6, 7	ROM
10	1	147300	469182	PCB, A19-A22		DSI
11	2	121056	1127 (350)	SPACER, GLASS		KKR
12	1	121057	1130	SPACER, GLASS		KKR
13	1	163104	DM5FY201J	CAP, MICA, 200PF, 100V	C7	ARC
14	1	134074	472104-9	ASSY, COIL, INDUCTOR	L5	
15	1	120204	2502	SCREW, PNHD, 4/40, 1/2		HHS
16	1	120283	MS51859-2	WASHER, #4, FLAT, NYLON		HPR
17	1	120208	2554	NUT, HEX, NYLON, 4/40		HHS
18	1	163059	DM5CC200J	CAP, MICA, 20 PF	C8	ARC

Assembly : 469576
Stock Number : 180217

ASSY, AMP, A19-A23

REV C
05/01/85

Item	Qty	Stk Num	Part Number	Description	Reference Desig.	Mfr
1	2	154044	RPE110Z5U103M100V	CAP, CER, .01 UF, 100V	C1,2	ERI
2	1	158008	CS13BF105K	CAP, TANT, 1 UF, 35V	C3	SPG
3	1	154043	RPE121C0G102J100V	CAP, CER, .001 UF, 100V	C4	ERI
4	1	166015	WD-10	INDUCTOR, 10 UH	L1	NYT
5	1	171087	2N5179	TRANSIS, NPN	Q1	MOT
6	2	150094	R25J5. 1K	RES, C. FILM, 5. 1K, 1/4W, 5%	R1, 2	ROM
7	1	150037	R25J1. 5K	RES, C. FILM, 1. 5K, 1/4W, 5%	R3	ROM
8	2	150053	R25J10	RES, C. FILM, 10 HMS, 1/4W, 5%	R4, 5	ROM
9	1	150131	R25J16	RES, C. FILM, 16 HMS, 1/4W, 5%	R6	ROM
10	1	150118	R25J390	RES, C. FILM, 390 HMS, 1/4W, 5%	R7	ROM
11	1	150134	R25J24	RES, C. FILM, 24 HMS, 1/4W, 5%	R8	ROM
12	2	134040	T4-1	TRANSFORMER	T1, 2	MCL
13	4	120215	350-1249-09-07-00	STANDOFF, 1/8		CAM
14	3	142012	140-2089-02-01-00	TERMINAL, BIF		CAM
15	1	147178	469089	P. C. , CARD, A19-A23		DSI

Assembly : 469591
Stock Number : 180231

ASSY, AMP, A19-A24

REV B1
05/01/86

Item	Qty	Stk Num	Part Number	Description	Reference Desig.	Mfr
1	2	154044	RPE110Z5U103M100V	CAP, CER, .01 UF, 100V	C1,2	EF
2	1	158008	CS13BF105K	CAP, TANT, 1 UF, 35V	C3	SPG
3	1	154043	RPE121COG102J100V	CAP, CER, .001 UF, 100V	C4	ERI
4	1	166015	WD-10	INDUCTOR, 10 UH	L1	NYT
5	1	171087	2N5179	TRANSIS, NPN	Q1	MOT
6	2	134040	T4-1	TRANSFORMER	T1,2	MCL
7	1	161018	FPS-109	POWER, DIVIDER	U1	MCL
8	1	150134	R25J24	RES, C. FILM, 24 HMS, 1/4W, 5%	R8	ROM
9	2	150094	R25J5.1K	RES, C. FILM, 5.1K, 1/4W, 5%	R1,2	ROM
10	1	150037	R25J1.5K	RES, C. FILM, 1.5K, 1/4W, 5%	R3	ROM
11	2	150053	R25J10	RES, C. FILM, 10 HMS, 1/4W, 5%	R4,5	ROM
12	2	150131	R25J16	RES, C. FILM, 16 HMS, 1/4W, 5%	R6,9	ROM
13	1	150002	R25J330	RES, C. FILM, 330 HMS, 1/4W, 5%	R7	ROM
14	2	150137	R25J300	RES, C. FILM, 300 HMS, 1/4W, 5%	R10,11	F
15	4	120215	350-1243-09-07-00	STANDOFF, 1/8		CAM
16	4	142012	140-2089-02-01-00	TERMINAL, BIF		CAM
17	1	147180	469091	P. C. , CARD, A19-A24		DSI

Assembly : 469577
Stock Number : 180218

ASSY, ABC, A19-A25

REV E
05/01/86

Item	Qty	Stk Num	Part Number	Description	Reference Desig.	Mfr
1	6	154044	RPE11075U103M100V	CAP, CER, .01 UF, 100V	C1-6	ERI
2	3	172091	UM4001B	DIODE, PIN	CR1-3	UNI
3	4	166015	WD-10	INDUCTOR, 10 UH	L1-4	NYT
5	2	150105	R25J39	RES, C. FILM, 39 HMS, 1/4W, 5%	R1, 3	ROM
6	1	150038	R25J1.8K	RES, C. FILM, 1.8K, 1/4W, 5%	R2	ROM
7	1	150004	R25J1K	RES, C. FILM, 1K, 1/4W, 5%	R4	ROM
8	1	150060	R25J2K	RES, C. FILM, 2K, 1/4W, 5%	R5	ROM
9	2	150053	R25J10	RES, C. FILM, 10 HMS, 1/4W, 5%	R6, 7	ROM
10	4	120215	350-1249-09-07-00	STANDOFF, 1/8		CAM
11	4	142012	140-2089-02-01-00	TERMINAL, BIF	E1-4	CAM
12	1	147177	469088	P. C. , CARD, A19-A20		DSI
13	3	121056	1127(350)	SPACER, GLASS		KKR
14	1	121057	1130	SPACER, GLASS		KKR

Assembly : 469578
Stock Number : 180219

ASSY, AMP, A19-A26

REV B1
05/01/86

Item	Qty	Stk Num	Part Number	Description	Reference Desig.	Mfr
1	2	154044	RPE110Z5U103M100V	CAP, CER, .01 UF, 100V	C1,2	EC
2	1	158008	CS13BF105K	CAP, TANT, 1 UF, 35V	C3	SPG
3	1	163045	DM5FA201J	CAP, MICA, 200 PF	C4	ARC
4	1	166015	WD-10	INDUCTOR, 10 UH	L1	NYT
5	1	134040	T4-1	TRANSFORMER	T2	MCL
6	1	171086	2N5109	TRANSIS, NPN	Q1	MOT
7	2	150094	R25J5.1K	RES, C. FILM, 5.1K, 1/4W, 5X	R1,2	ROM
8	1	150154	R25J910	RES, C. FILM, 910 HMS, 1/4W, 5X	R3	ROM
9	3	150053	R25J10	RES, C. FILM, 10 HMS, 1/4W, 5X	R4,5,8	ROM
10	1	150131	R25J16	RES, C. FILM, 16 HMS, 1/4W, 5X	R6	ROM
11	2	150118	R25J390	RES, C. FILM, 390 HMS, 1/4W, 5X	R7,9	ROM
13	4	120215	350-1249-09-07-00	STANDOFF, 1/8		CAM
14	3	142012	140-2089-02-01-00	TERMINAL, BIF	E1-3	CAM
15	1	147178	469089	P. C. , CARD, A19-A23		I
16	1	166014	WD-1.5	INDUCTOR, 1.5 UH	L2	NYT
17	1	120313	2259-T253	WASHER, TFE, 1/4ID, 7/16OD		AMA

Assembly : 469593
Stock Number : 180233

ASSY, FILTER, BP, A19-A27

REV D2
05/01/86

Item	Qty	Stk Num	Part Number	Description	Reference Desig.	Mfr
1	10	154044	RPE11075U103M100V	CAP, CER, .01 UF, 100V	C1, 7, 8, 9, 10, 16, 18, 19 , 25, 26	ERI
2	6	154048	RPE12275U103M	CAP, CER, .01 UF, 100V	C30-35	ERI
3	3	163007	DM10-151J	CAP, MICA, 150 PF	C2, 4, 6	ARC
4	1	154054	CK05BX103K	CAP, CER, .01 UF, 100V	C17	AVX
5	2	163005	DM10-101J	CAP, MICA, 100 PF	C3, 5	ARC
6	3	163016	DM10-680J	CAP, MICA, 68 PF	C11, 13, 15	ARC
7	2	163029	DM15-501J	CAP, MICA, 500 PF	C12, 14	ARC
8	2	164002	187-0106-175	CAP, ADJ, 2-12 PF	C20, 23	EFJ
9	2	163051	DM5CC060D	CAP, MICA, 6 PF	C21, 24	ARC
10	1	163083	DM15-621J	CAP, MICA, 620 PF	C22	ARC
11	6	172082	5082-3188	DIODE, PIN	CR1-6	HEW
14	7	120215	350-1249-09-07-00	STANDOFF, 1/8		CAM
15	7	142012	140-2089-02-01-00	TERMINAL, BIF	E1-7	CAM
16	12	150138	R25J3K	RES, C. FILM, 3K, 1/4W, 5X	R1, 2, 4, 9, 10, 12, 16, 18 , 19, 21, 22, 24	ROM
17	6	150009	R25J100K	RES, C. FILM, 100K, 1/4W, 5X	R3, 8, 11, 17, 20, 23	ROM
18	2	150092	R25J68	RES, C. FILM, 68 HMS, 1/4W, 5X	R6, 7	ROM
19	1	150034	R25J150	RES, C. COMP, 150 HMS, 1/4W, 5X	R5	ROM
20	2	150109	R25J180	RES, C. FILM, 180 HMS, 1/4W, 5X	R13, 15	ROM
21	1	150136	R25J30	RES, C. FILM, 30 HMS, 1/4W, 5X	R14	ROM
22	2	134040	T4-1	TRANSFORMER	T1, 2	MCL
23	2	134042	T9-1	TRANSFORMER	T3, 4	MCL
24	1	161018	FPS-109	POWER, DIVIDER	U1	MCL
25	1	147182	469093	P. C., CARD, A19-A27		DSI
26	2	134100	472102B	ASSY, INDUCTOR, TABULATED	L1 (USE 472102-3) L3 (USE 472102-2)	DSI

Assembly : 469593
Stock Number : 180233

ASSY, FILTER, BP, A19-A27

REV D2
05/01/86

Item	Qty	Stk Num	Part Number	Description	Reference Desig.	Mfr
27	3	134103	472102E	ASSY, INDUCTOR, TABULATED	L4 (USE 472102-7) L5 (USE 472102-8) L6 (USE 472102-9)	D
28	1	134105	472102G	ASSY, INDUCTOR, TABULATED	L2 (USE 472102-13)	DSI
29	2	134060	472105-1,2	ASSY, INDUCTOR, TABULATED	L7 (USE 472105-1) L8 (USE 472105-2)	DSI

Assembly : 469590
Stock Number : 180230

ASSY, DN, CONV, A19-A28

REV B1
05/01/86

Item	Qty	Stk Num	Part Number	Description	Reference Desig.	Mfr
1	2	154054	CK05BX103K	CAP, CER. .01 UF, 100V	C1,2	AVX
2	1	134085	472101-7	ASSY, INDUCTOR/TRANSFORMER, TAB	L1 (USE 472101-7)	DSI
3	2	148001	RL07S101G	RES, M. FILM, 100 HMS, 2%	R1,3	CGE
4	1	148039	RL07S680G	RES, M. FILM, 68 HMS, 2%	R2	CGE
5	1	161023	SRA-1	MIXER, DOUBLE, BAL	U1	MCL
6	4	120215	350-1249-03-07-00	STANDOFF, 1/8		CAM
7	3	142012	140-2089-02-01-00	TERMINAL, BIF	E1-3	CAM
8	1	147179	469090	P.C., CARD, A19-A28		DSI

Assembly : 469592
Stock Number : 180232

ASSY, OUTPUT, AMP, A19-A29

REV B
05/01/86

Item	Qty	Stk Num	Part Number	Description	Reference Desig.	Mfr
1	5	154044	RPE110Z5U103M100V	CAP, CER, .01 UF, 100V	C1, 3, 4, 5, 10	E
2	1	154053	CK05BX102K	CAP, CER, .001 UF	C2	AVX
3	2	158008	CS13BF105K	CAP, TANT, 1 UF, 35V	C6, 7	SPG
4	3	166015	WD-10	INDUCTOR, 10 UH	L1, 2, 4	NYT
5	1	166014	WD-1.5	INDUCTOR, 1.5 UH	L3	NYT
6	2	150094	R25J5.1K	RES, C. FILM, 5.1K, 1/4W, 5%	R1, 3	ROM
7	1	150037	R25J1.5K	RES, C. FILM, 1.5K, 1/4W, 5%	R2	ROM
8	5	150053	R25J10	RES, C. FILM, 10 HMS, 1/4W, 5%	R4, 6, 8, 10, 12	ROM
9	1	150131	R25J16	RES, C. FILM, 16 HMS, 1/4W, 5%	R5	ROM
10	1	150026	R25J560	RES, C. FILM, 560 HMS, 1/4W, 5%	R7	ROM
11	1	150150	R25J620	RES, C. FILM, 620 HMS, 1/4W, 5%	R9	ROM
12	2	150147	R25J510	RES, C. FILM, 510 HMS, 1/4W, 5%	R11, 13	ROM
13	1	171087	2N5179	TRANSIS, NPN	Q1	MDT
14	1	171086	2N5109	TRANSIS, NPN	Q2	
15	3	134040	T4-1	TRANSFORMER	T1-3	MCL
16	1	127001	207-CB	HEATSINK		WAK
17	4	120215	350-1249-09-07-00	STANDOFF, 1/8		CAM
18	4	142012	140-2089-02-01-00	TERMINAL, BIF	E1-3	CAM
19	1	147181	469092	P. C. , CARD, A19-A29		DSI

Assembly : 469554
Stock Number : 180195

ASSY, A19-A30-1, SWITCH

REV F
05/01/86

Item	Qty	Stk Num	Part Number	Description	Reference Desig.	Mfr
1	24	154051	RPE113Z5U334M100V	CAP, CER, .33 UF, 100V	C1, 4, 5 (8 EA)	ERI
2	16	154049	RPE122Z5U104M100V	CAP, CER, .1 UF, 100V	C2, 3 (8 EA)	ERI
3	8	172010	1N914	DIODE, SILICON, D035	CR1 (8 EA)	MDT
4	8	172091	UM4001B	DIODE, PIN	CR2 (8 EA)	UNI
5	2	148022	RL07S360G	RES, M. FILM, 36 HMS, 2%	BW8R7, BW9R7	CGE
6	1	148025	RL07S430G	RES, M. FILM, 43 HMS, 2%	BW10R7	CGE
7	2	148026	RL07S431G	RES, M. FILM, 430 HMS, 2%	BW4, R8, 9	CGE
8	24	150147	R25J510	RES, C. FILM, 510 HMS, 1/4W, 5%	R4, 6, 1 (8 EA)	ROM
9	8	150058	R25J51K	RES, C. FILM, 51K, 1/4W, 5%	R2 (8 EA)	ROM
10	16	150106	R25J200K	RES, C. FILM, 200K, 1/4W, 5%	R3, 5 (8 EA)	ROM
11	2	148006	RL07S131G	RES, M. FILM, 130 HMS, 2%	BW10R8, R9	CGE
12	2	148005	RL07S121G	RES, M. FILM, 120 HMS, 2%	BW11R8, 9	CGE
13	4	148040	RL07S151G	RES, M. FILM, 150 HMS, 2%	BW8, R8, 9-BW9, R8, 9	CGE
14	1	148028	RL07S510G	RES, M. FILM, 51 HMS, 2%	BW11R7	CGE
15	1	148004	RL07S120G	RES, M. FILM, 12 HMS, 2%	BW4R7	CGE
16	2	148015	RL07S221G	RES, M. FILM, 220 HMS, 2%	BW7, R8, 9	CGE
17	1	147150	469054	P. C., CARD, A19-A30-1		DSI
18	1	148017	RL07S240G	RES, M. FILM, 24 HMS, 2%	BW7, R7	CGE
19	11	142012	140-2089-02-01-00	TERMINAL, BIF	E1-11	CAM
20	10	120214	350-1247-09-07-00	STANDOFF, 1/8		CAM
21	80	121056	1127 (350)	SPACER, GLASS		KKR
22	8	121057	1130	SPACER, GLASS		KKR

Assembly : 469555
Stock Number : 180197

ASSY, A19-A30-2, SWITCH

REV E1
05/01/86

Item	Qty	Stk Num	Part Number	Description	Reference Desig.	Mfr
1	9	154051	RPE113Z5U334M100V	CAP, CER, .33 UF, 100V	C1, 4, 5 (3 SETS)	E
2	6	154049	RPE122Z5U104M100V	CAP, CER, .1 UF, 100V	C2, 3 (3 SETS)	ERI
3	3	172010	1N914	DIODE, SILICON, D035	CR1 (3 SETS)	MOT
4	3	172091	UM4001B	DIODE, PIN	CR2 (3 SETS)	UNI
5	2	148020	RL07S301G	RES, M. FILM, 300 HMS, 2%	BW1R8, 9	CGE
6	9	150147	R25J510	RES, C. FILM, 510 HMS, 1/4W, 5%	R1, 4, 6 (3 SETS)	ROM
7	1	148010	RL07S100G	RES, M. FILM, 10 HMS, 2%	BW1R7	CGE
8	3	150058	R25J51K	RES, C. FILM, 51K, 1/4W, 5%	R2 (3 SETS)	ROM
9	2	148026	RL07S431G	RES, M. FILM, 430 HMS, 2%	BW3R8, R9	CGE
10	6	150106	R25J200K	RES, C. FILM, 200K, 1/4W, 5%	R3, 5 (3 SETS)	ROM
13	1	148004	RL07S120G	RES, M. FILM, 12 HMS, 2%	BW3R7	CGE
14	1	134090	472113E	ASSY, INDUCTOR/TRANSFORMER, TAB	T1 (USE 472113-18)	DSI
15	1	147151	469055	P. C. , CARD, A19-A30-2		DSI
16	6	120214	350-1247-09-07-00	STANDOFF, 1/8		(
17	10	142012	140-2085-02-01-00	TERMINAL, BIF	E1-11	CAM
20	30	121056	1127(350)	SPACER, GLASS		KKR
21	3	121057	1130	SPACER, GLASS		KKR
22	2	148044	RL07S911G	RES, M. FILM, 910 OHM, 1/4W, 2%	BW2R8, R9	ALB
23	1	150172	R25J5.6	RES, C. FILM, 5.6 HMS, 1/4W, 5%	BW2R7	ROM

Assembly : 469556
Stock Number : 180198

ASSY, A19-A30-3, SWITCH

REV D
05/01/86

Item	Qty	Stk Num	Part Number	Description	Reference Desig.	Mfr
1	15	154051	RPE113Z5U334M100V	CAP, CER, .33 UF, 100V	C6, 9, 10 (5 EA)	ERI
2	10	154049	RPE122Z5U104M100V	CAP, CER, .1 UF, 100V	C7, 8 (5 EA)	ERI
3	5	172010	1N914	DIODE, SILICON, D035	CR3 (5 EA)	MOT
4	5	172091	UM4001B	DIODE, PIN	CR4 (5 EA)	UNI
5	15	150147	R25J510	RES, C. FILM, 510 HMS, 1/4W, 5%	R10, 13, 15 (5 EA)	ROM
6	5	150058	R25J51K	RES, C. FILM, 51K, 1/4W, 5%	R11 (5 EA)	ROM
7	10	150106	R25J200K	RES, C. FILM, 200K, 1/4W, 5%	R12, 14 (5 EA)	ROM
8	1	147152	469056	P. C. , CARD, A19-A30-3		DSI
9	5	120214	350-1247-09-07-00	STANDOFF, 1/8		CAM
10	8	142012	140-2089-02-01-00	TERMINAL, BIF	E1-8	CAM
11	35	121056	1127 (350)	SPACER, GLASS		KKR
12	5	121057	1130	SPACER, GLASS		KKR

Assembly : 469557
Stock Number : 180199

ASSY, A19-A30-4, SWITCH

REV D
05/01/86

Item	Qty	Stk Num	Part Number	Description	Reference Desig.	Mfr
1	9	154051	RPE11375U334M100V	CAP, CER, .33 UF, 100V	6, 9, 10 (3 SETS)	F
2	6	154049	RPE12275U104M100V	CAP, CER, .1 UF, 100V	C7, 8 (3 SETS)	ERI
3	3	172010	1N914	DIODE, SILICON, D035	CR3 (3 SETS)	MOT
4	3	172091	UM4001B	DIODE, PIN	CR4 (3 SETS)	UNI
5	9	150147	R25J510	RES, C. FILM, 510 HNS, 1/4W, 5X	R10, 13, 15 (3 SETS)	ROM
6	3	150058	R25J51K	RES, C. FILM, 51K, 1/4W, 5X	R11 (3 SETS)	ROM
7	6	150106	R25J200K	RES, C. FILM, 200K, 1/4W, 5X	R12, 14 (3 SETS)	ROM
8	1	147153	469057	P. C. , CARD, A19-A30. 4		DSI
9	6	120214	350-1247-09-07-00	STANDOFF, 1/8		CAM
10	7	142012	140-2089-02-01-00	TERMINAL, BIF	E1-E7	CAM
11	21	121056	1127 (350)	SPACER, GLASS		KKR
12	3	121057	1130	SPACER, GLASS		KKR

Assembly : 469558
Stock Number : 180200

ASSY, A19-A30-5, SWITCH

REV C
05/01/86

Item	Qty	Stk Num	Part Number	Description	Reference Desig.	Mfr
1	9	154051	RPE11375U334M100V	CAP, CER, .33 UF, 100V	C1, 4, 5 (3 EA)	ERI
2	6	154049	RPE12275U104M100V	CAP, CER, .1 UF, 100V	C2, 3 (3 EA)	ERI
3	3	172010	1N914	DIODE, SILICON, D035	CR1 (3 EA)	MOT
4	3	172091	UM4001B	DIODE, PIN	CR2 (3 EA)	UNI
5	9	150147	R25J510	RES, C. FILM, 510 HMS, 1/4W, 5%	R1, 4, 6 (3 EA)	ROM
6	3	150058	R25J51K	RES, C. FILM, 51K, 1/4W, 5%	R2 (3 EA)	ROM
7	6	150106	R25J200K	RES, C. FILM, 200K, 1/4W, 5%	R3, 5 (3 EA)	ROM
8	1	147154	469058	P. C., CARD, A19-A30. 5		DSI
9	5	120214	350-1247-09-07-00	STANDOFF, 1/8		CAM
10	10	142012	140-2089-02-01-00	TERMINAL, BIF	E1-10	CAM
11	21	121056	1127 (350)	SPACER, GLASS		KKR
12	3	121057	1130	SPACER, GLASS		KKR

Assembly : 469559
Stock Number : 180201

ASSY, A19-A31. 1, SWITCH

REV F
05/01/86

Item	Qty	Stk Num	Part Number	Description	Reference Desig.	Mfr
1	15	154044	RPE11075U103M100V	CAP, CER, .01 UF, 100V	C1, 2, 3 (5 SETS)	F
2	10	172082	5082-3188	DIODE, PIN	CR1, 3 (5 SETS)	HEW
3	5	172010	1N914	DIODE, SILICON, D035	CR2 (5 SETS)	MOT
4	2	148037	RL07S820G	RES, M. FILM, 82 HMS, 2%	BW16-R6, 7	CGE
5	1	148038	RL07S910G	RES, M. FILM, 91 HMS, 2%	BW16-R5	CGE
6	2	148039	RL07S680G	RES, M. FILM, 68 HMS, 2%	BW17-R6, 7	CGE
7	15	150138	R25J3K	RES, C. FILM, 3K, 1/4W, 5%	R1, 2, 4 (5 SETS)	ROM
8	1	148040	RL07S151G	RES, M. FILM, 150 HMS, 2%	BW17-R5	CGE
9	5	150072	R25J3.9K	RES, C. FILM, 3.9K, 1/4W, 5%	R3 (5 SETS)	ROM
10	1	148005	RL07S121G	RES, M. FILM, 120 HMS, 2%	BW15-R5	CGE
13	1	147155	469059	P. C. , CARD, A19-A31. 1		DSI
14	1	148041	RL07S271G	RES, M. FILM, 270 HMS, 2%	BW18-R5	CGE
15	3	148030	RL07S620G	RES, M. FILM, 62 HMS, 2%	BW18-R6, 7 BW14R5	CGE
16	4	120214	350-1247-09-07-00	STANDOFF, 1/8		Chm
17	13	142012	140-2089-02-01-00	TERMINAL, BIF		CAM
18	38	121056	1127 (350)	SPACER, GLASS		KKR
19	2	148001	RL07S101G	RES, M. FILM, 100 HMS, 2%	BW14R6, 7	CGE
20	2	148035	RL07S750G	RES, M. FILM, 75 HMS, 2%	BW15R6, 7	CGE

Assembly : 469560
Stock Number : 180202

ASSY, A19-A31-2, SWITCH

REV E
05/01/86

Item	Qty	Stk Num	Part Number	Description	Reference Desig.	Mfr
1	12	154044	RPE11075U103M100V	CAP, CER, .01 UF, 100V	C1,2,3 (4 SETS)	ERI
2	8	172082	5082-3188	DIODE, PIN	CR1,3 (4 SETS)	HEW
3	4	172010	1N914	DIODE, SILICON, D035	CR2 (4 SETS)	MOT
4	2	148011	RL07S181G	RES, M. FILM, 180 HMS, 2%	BW10-R6, 7	CGE
5	1	148019	RL07S300G	RES, M. FILM, 30 HMS, 2%	BW10-R5	CGE
6	2	148044	RL07S911G	RES, M. FILM, 910 OHM, 1/4W, 2%	BW11-R6, 7	ALB
7	12	150138	R25J3K	RES, C. FILM, 3K, 1/4W, 5%	R1,2,4 (4 SETS)	ROM
8	1	150172	R25J5.6	RES, C. FILM, 5.6 HMS, 1/4W, 5%	BW11R5	ROM
9	4	150072	R25J3.9K	RES, C. FILM, 3.9K, 1/4W, 5%	R3 (4 SETS)	ROM
12	4	148026	RL07S431G	RES, M. FILM, 430 HMS, 2%	BW13-R6, 7, BW12-R6, R7	CGE
13	1	147156	469060	P. C. , CARD, A19-A31. 2		DSI
14	2	148004	RL07S120G	RES, M. FILM, 12 HMS, 2%	BW13-R5, BW12-R5	CGE
15	4	120214	350-1247-09-07-00	STANDOFF, 1/8		CAM
16	6	142012	140-2089-02-01-00	TERMINAL, BIF		CAM
17	32	121056	1127 (350)	SPACER, GLASS		KKR

Assembly : 469561
Stock Number : 180203

ASSY, A19-A31-3, SWITCH

REV C1
05/01/86

Item	Qty	Stk Num	Part Number	Description	Reference Desig.	Mfr
1	15	154044	RPE110Z5U103M100V	CAP, CER, .01 UF, 100V	C4-6 (5 SETS)	I
2	10	172082	5082-3188	DIODE, PIN	CR4,6 (5 SETS)	HEW
3	5	172010	1N914	DIODE, SILICON, D035	CR5 (5 SETS)	MOT
4	15	150138	R25J3K	RES, C. FILM, 3K, 1/4W, 5%	R8,9,11 (5 SETS)	ROM
5	5	150072	R25J3.9K	RES, C. FILM, 3.9K, 1/4W, 5%	R10 (5 SETS)	ROM
6	1	147157	469061	P. C. , CARD, A19-A31.3		DSI
7	4	120214	350-1247-09-07-00	STANDOFF, 1/8		CAM
8	9	142012	140-2089-02-01-00	TERMINAL, BIF	E1-9	CAM
9	25	121056	1127(350)	SPACER, GLASS		KKR
10	1	125208	E24-1936-9	WIRE, 24 GA, TYPE E, WHITE		PIW

Assembly : 469563
Stock Number : 180205

ASSY, A19-A31-4, SWITCH

REV E
05/01/86

Item	Qty	Stk Num	Part Number	Description	Reference Desig.	Mfr
1	12	154044	RPE110Z5U103M100V	CAP, CER, .01 UF, 100V	C4, 5, 6 (4 SETS)	ERI
2	8	172082	5082-3188	DIODE, PIN	CR4, 6 (4 SETS)	HEW
3	4	172010	1N914	DIODE, SILICON, D035	CR5 (4 SETS)	MOT
4	12	150138	R25J3K	RES, C. FILM, 3K, 1/4W, 5%	R8, 9, 11 (4 SETS)	ROM
5	4	150072	R25J3.9K	RES, C. FILM, 3.9K, 1/4W, 5%	R10 (4 SETS)	ROM
6	1	147159	469063	P. C., CARD, A19-A31-4		DSI
7	4	120214	350-1247-09-07-00	STANDOFF, 1/8		CAM
8	6	142012	140-2089-02-01-00	TERMINAL, BIF		CAM
9	20	121056	1127 (350)	SPACER, GLASS		KKR

Assembly : 469498
Stock Number : 180346

ASSY, PCB, A19-A32, 30MHZ, OL DET

REV A3
05/01/86

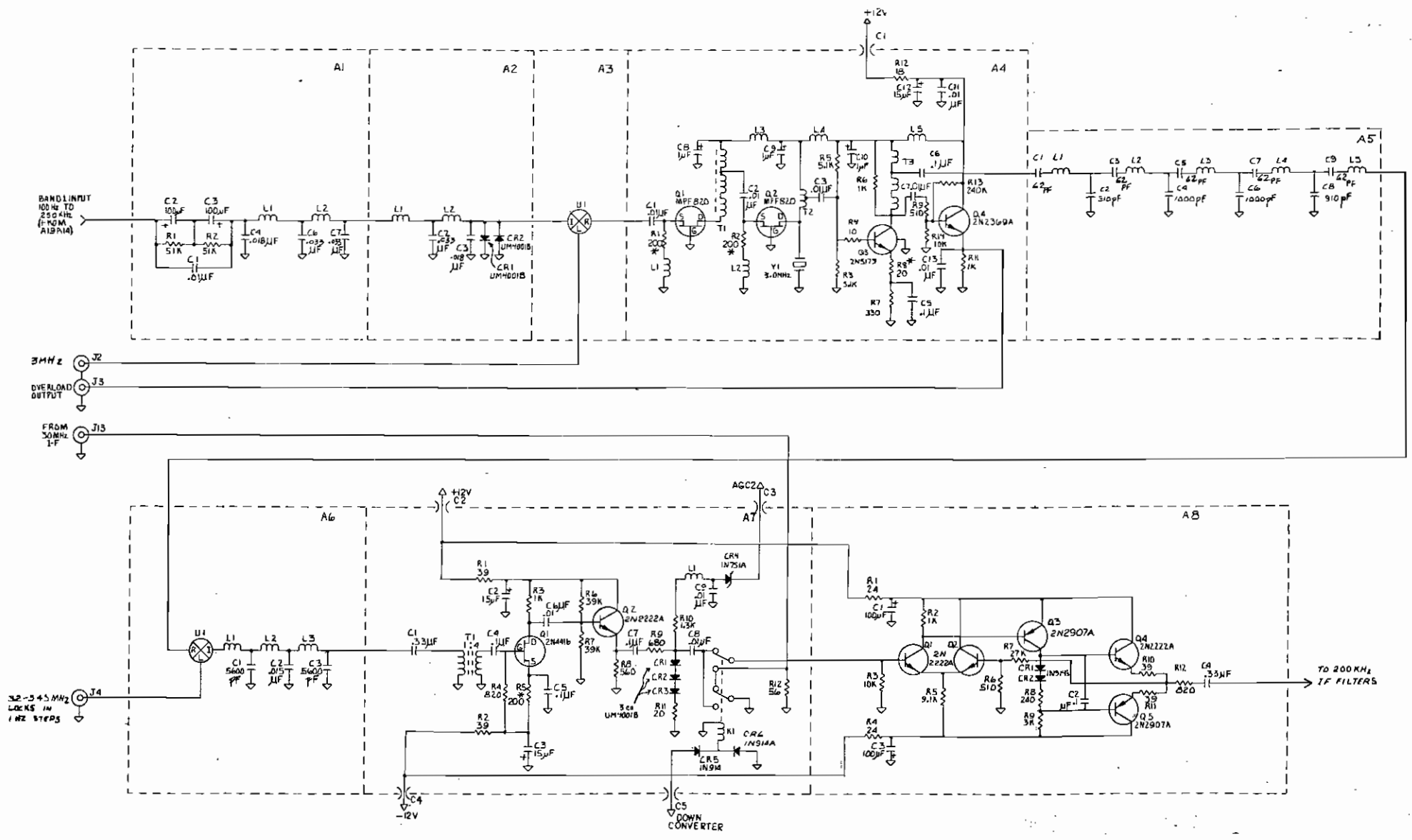
Item	Qty	Stk Num	Part Number	Description	Reference Desig.	Mfr
1	1	147297	469437	PCB, OVERLOAD DETECTOR		L
2	1	170620	LM311J-8	I. C. , 311, COMPARATOR	U1	NSC
3	1	170745	LM555	I. C. , 555, TIMER, PLAS, 8 DIP	U2	NSC
4	1	154055	CK05BX104K	CAP, CER, .10 UF, 50V	C1	AVX
5	1	154074	CK06BX474K	CAP, CER, .47 UF	C2	AVX
6	2	154050	RPE11425U105M	CAP, CER, 1 UF	C3, 6	ERI
7	1	154054	CK05BX103K	CAP, CER, .01 UF, 100V	C4	AVX
8	1	154065	CK05BX473K	CAP, CER, .047 UF, 50V	C5	AVX
9	3	142066	140-1785-02-01-00	TERMINAL, BIFURCATED	E1-3	CAM
10	3	172078	5082-2800	DIODE, SILICON	CR1-3	HEW
11	1	150008	R25J22K	RES, C. FILM, 22K, 1/4W, 5%	R1	ROM
12	1	150022	R25J100	RES, C. FILM, 100 HMS, 1/4W, 5%	R2	ROM
13	1	150039	R25J15K	RES, C. FILM, 15K, 1/4W, 5%	R3	ROM
14	1	150023	R25J8.2K	RES, C. FILM, 8.2K, 1/4W, 5%	R4	ROM
15	1	153100	3292W-1-102	RES, VARIABLE, CERMET, 1K	R5	BRN
16	1	150007	R25J10K	RES, C. FILM, 10K, 1/4W, 5%	R6	ROM
17	1	150173	R25J360K	RES, C. FILM, 360K, 1/4W, 5%	R7	ROM
18	1	150129	R25J13K	RES, C. FILM, 13K, 1/4W, 5%	R8	ROM
19	1	150094	R25J5.1K	RES, C. FILM, 5.1K, 1/4W, 5%	R9	ROM
21	1	134054	469407	ASSY, TRANSFORMER, TOROID	T1	DSI
22	1	166015	WD-10	INDUCTOR, 10 UH	L1	NYT
23	2	120302	60516390	SCREW, PNHD, #4X1/4, PHIL, SELFTAP		SOU

Assembly : 469499
Stock Number : 180347

ASSY, PCB, A19-A33, 200KHZ, OL DET REV A3
05/01/86

Item	Qty	Stk Num	Part Number	Description	Reference Desig.	Mfr
1	1	147297	469437	PCB, OVERLOAD DETECTOR		DSI
2	1	170620	LM311J-8	I. C. , 311, COMPARATOR	U1	NSC
3	1	170745	LM555	I. C. , 555, TIMER, PLAS, 8 DIP	U2	NSC
4	1	154055	CK05BX104K	CAP, CER, .10 UF, 50V	C1	AVX
5	1	154074	CK06BX474K	CAP, CER, .47 UF	C2	AVX
6	2	154050	RPE114Z5U105M	CAP, CER, 1 UF	C3, 6	ERI
7	1	154054	CK05BX103K	CAP, CER, .01 UF, 100V	C4	AVX
8	1	154065	CK05BX473K	CAP, CER, .047 UF, 50V	C5	AVX
9	3	142066	140-1785-02-01-00	TERMINAL, BIFURCATED	E1-3	CAM
10	3	172078	5082-2800	DIODE, SILICON	CR1-3	HEW
11	1	150008	R25J22K	RES, C. FILM, 22K, 1/4W, 5%	R1	ROM
13	1	150031	R25J1M	RES, C. FILM, 1M, 1/4W, 5%	R3	ROM
14	1	150023	R25J8. 2K	RES, C. FILM, 8. 2K, 1/4W, 5%	R4	ROM
15	1	153100	3292W-1-102	RES, VARIABLE, CERMET, 1K	R5	BRN
16	2	150007	R25J10K	RES, C. FILM, 10K, 1/4W, 5%	R2, 6	ROM
17	1	150173	R25J360K	RES, C. FILM, 360K, 1/4W, 5%	R7	ROM
18	1	150129	R25J13K	RES, C. FILM, 13K, 1/4W, 5%	R8	ROM
19	1	150094	R25J5. 1K	RES, C. FILM, 5. 1K, 1/4W, 5%	R9	ROM
21	1	134050	469405	ASSY, TRANSFORMER, TORROID	T1	DSI
22	1	166065	469406	ASSY, INDUCTOR, 720 UH	L1	DSI
23	2	120302	60516390	SCREW, PNHD, #4X1/4, PHIL, SELFTAP		SOU
24	2	120242	MS35338-135	WASHER, SPLITLOCK, #4		HPR
25	2	125307	MPNY-750NA	MOUNTING PAD, CABLE TIE		BRD
26	2	120207	2505	SCREW, PNHD, 6/32, 1/2		HHS
27	2	120206	2258-N171	WASHER, FLAT, INSULATING, #8		AMA
28	2	120209	2555	NUT, HEX, NYLON, 6/32		HHS

(THIS PAGE INTENTIONALLY LEFT BLANK)

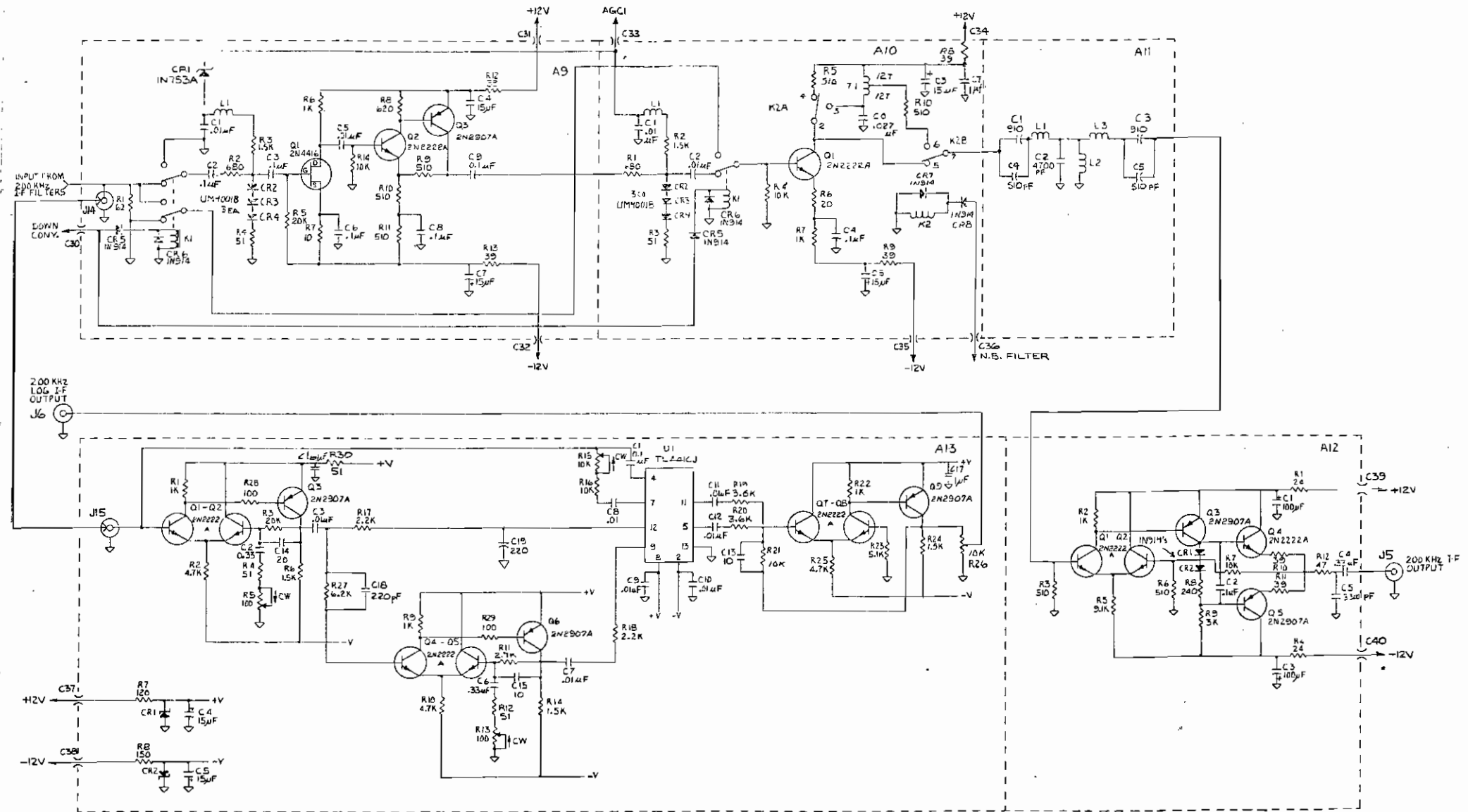


NOTES: UNLESS OTHERWISE SPECIFIED
 1. RESISTOR VALUES ARE IN OHMS

* SELECTED VALUE

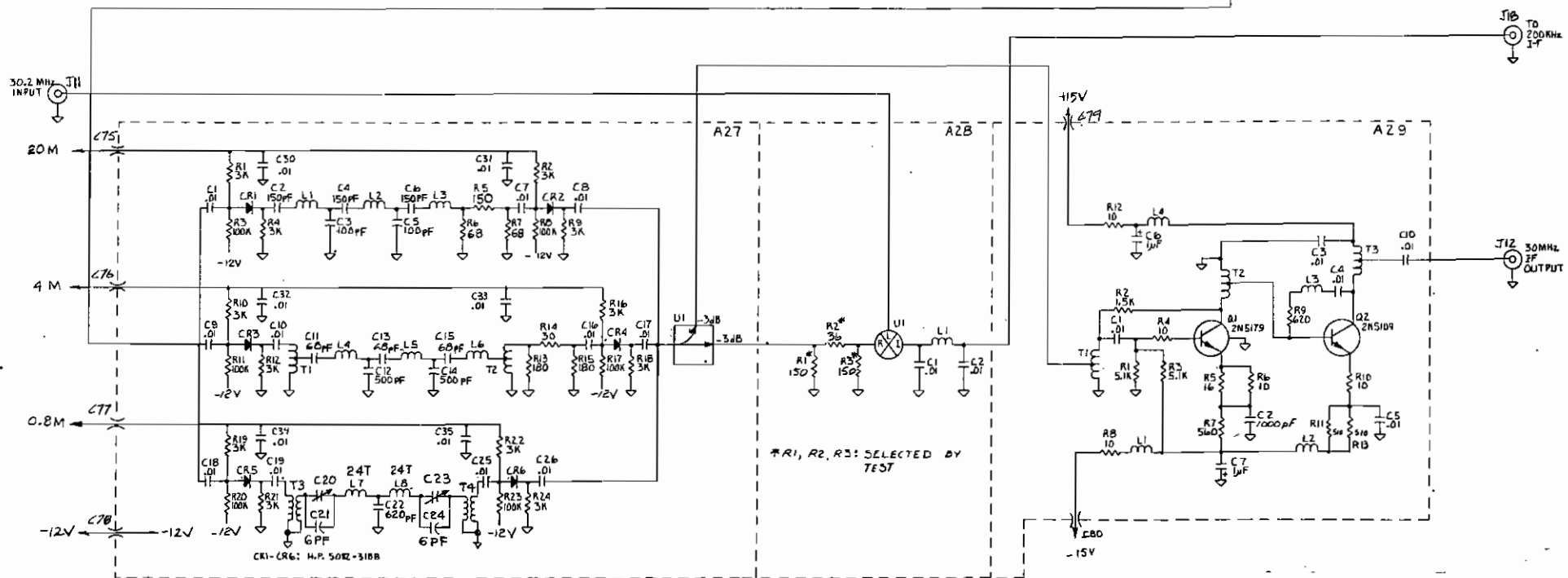
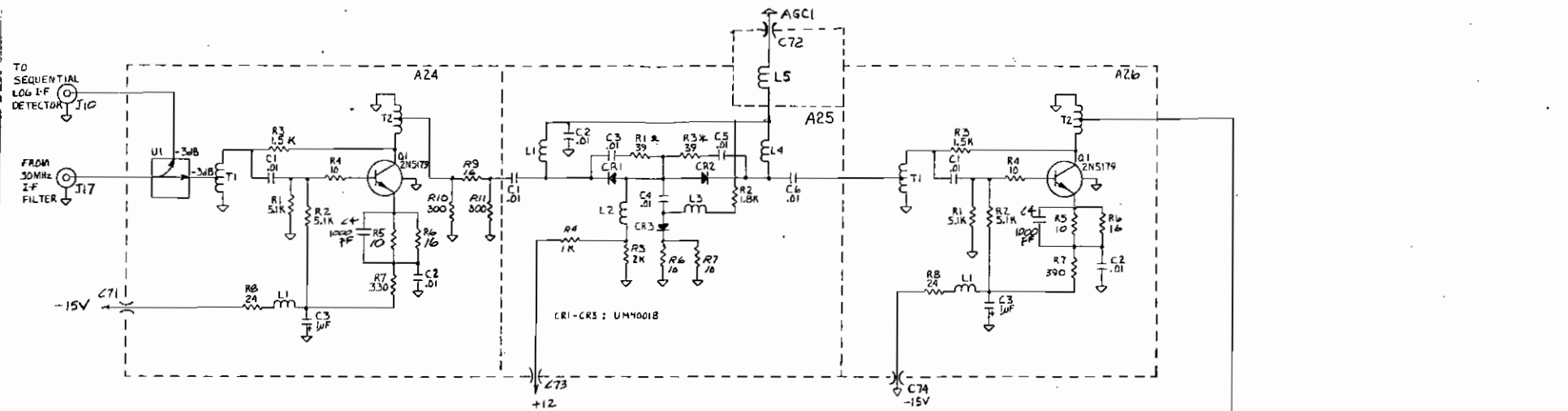
IF CHASSIS, A19A1 - A19A8

378-87



NOTES: UNLESS OTHERWISE SPECIFIED
 1. RESISTOR VALUES ARE IN OHMS
 2. CAPACITOR VALUES ARE IN MICROFARADS

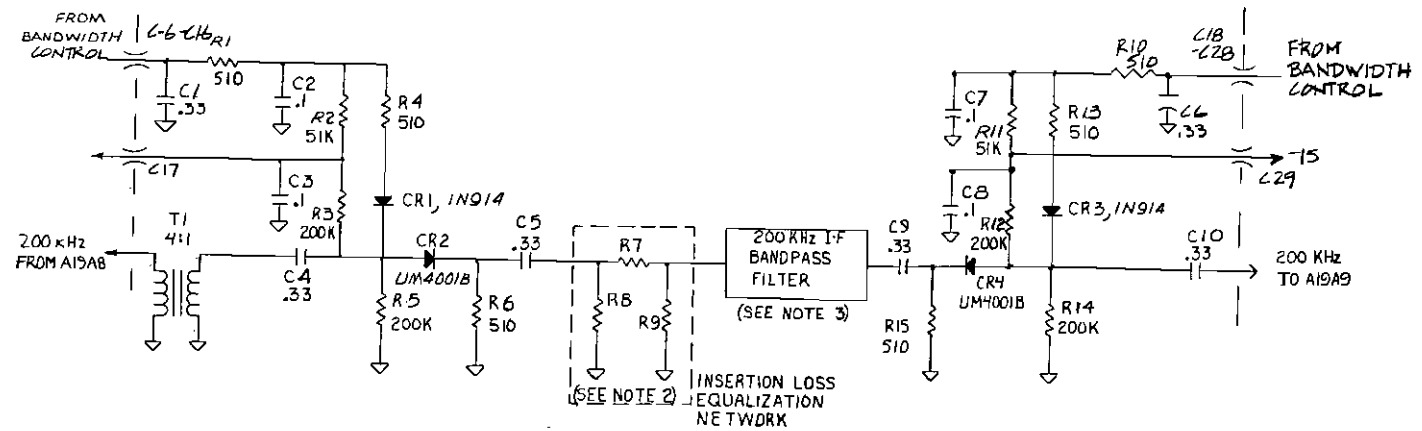
IF CHASSIS, A19A9 - A19A13



NOTES: UNLESS OTHERWISE SPECIFIED
RESISTOR VALUES ARE IN OHMS
CAPACITOR VALUES ARE IN MICROFARADS

IF CHASSIS, A19A24 - A19A29

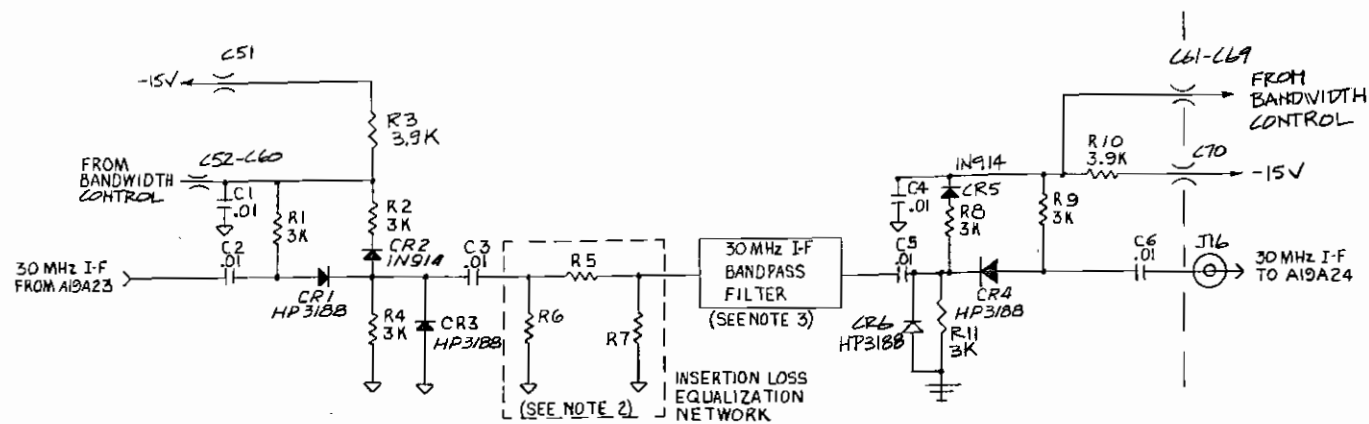
A 18-60



1. THERE ARE ELEVEN 200 KHZ I-F FILTER CIRCUITS, DIFFERING ONLY IN INSERTION LOSS EQUALIZATION NETWORK AND I-F BANDPASS FILTER.
 2. RESISTOR VALUES ARE FACTORY SELECTED TO EQUALIZE INSERTION LOSS OF THE ELEVEN I-F FILTERS.
 3. 200 KHZ I-F FILTER BANDWIDTHS ARE: 50, 100, 200, AND 500 HZ AND 1, 2, 5, 10, 20, 50 AND 100 KHZ.
 4. RESISTOR VALUES MEASURED IN OHMS
 5. CAPACITOR VALUES MEASURED IN MICRO FARADS
- NOTES: UNLESS OTHERWISE SPECIFIED

IF FILTER, 200 KHZ, A19A30

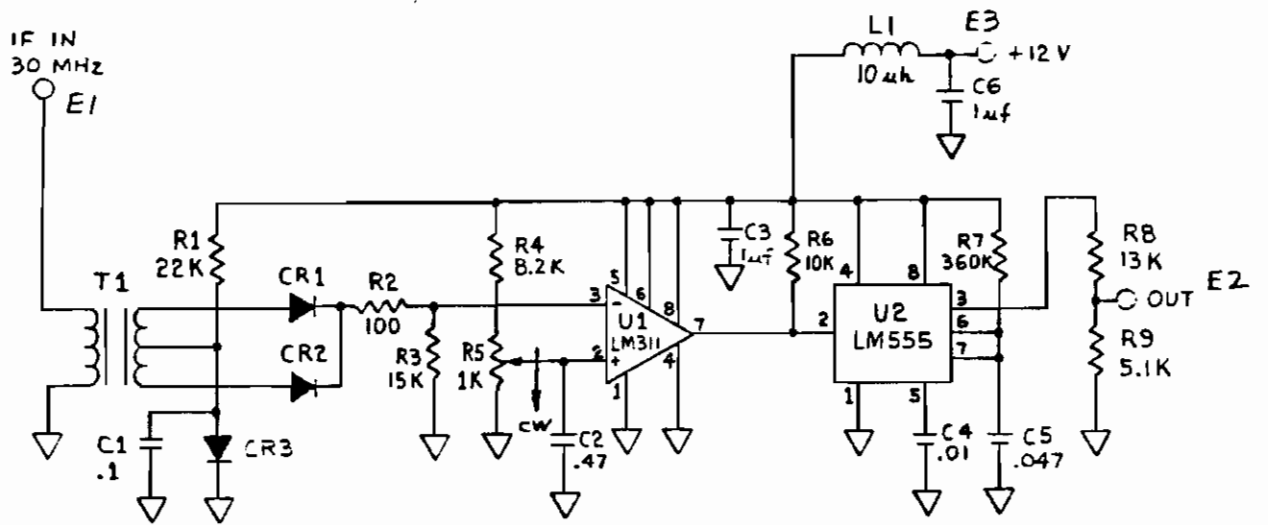
A18-61



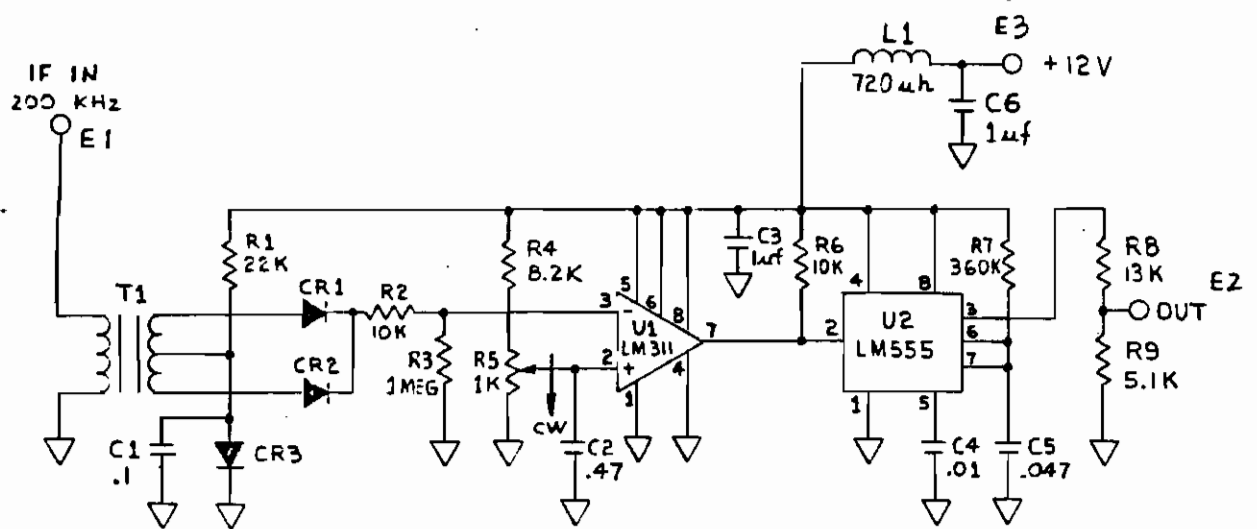
1. THERE ARE NINE 30 MHz I-F FILTER CIRCUITS, DIFFERING ONLY IN INSERTION LOSS EQUALIZATION NETWORK AND I-F BANDPASS FILTER.
 2. RESISTOR VALUES ARE FACTORY SELECTED TO EQUALIZE INSERTION LOSS OF THE NINE I-F FILTERS.
 3. 30 MHz I-F BANDWIDTHS ARE : 50, 100, 200 AND 500 KHz AND 1, 2, 5, 10 AND 20 MHz.
 4. RESISTOR VALUES ARE MEASURED IN OHMS.
 5. CAPACITOR VALUES ARE MEASURED IN MICROFARADS
- NOTES: UNLESS OTHERWISE SPECIFIED

IF FILTER, 30 MHz, A19A31

A 18-62



OVERLOAD DETECTOR, 30 MHZ, A19A32



OVERLOAD DETECTOR, 200 KHZ, A19A33
A 19-64

Assembly : 469941
Stock Number : 179048

ASSY, POWER SUPPLY, A22

REV D1
05/01/86

Item	Qty	Stk Num	Part Number	Description	Reference Desig.	Mfr
2	2	171094	MJ900	TRANSIS, PNP	Q1,2	MOT
3	2	173003	S6220B	S. C. R.	Q3,5	RCA
4	1	127002	260 4TH 5B	HEATSINK		WAK
5	1	180245	469609	ASSY, REG, 50V, A22-A3	A3	DSI
6	1	173004	T4121B	TRIAC	Q4	RCA
7	1	171093	MJ1000	TRANSIS, NPN	Q6	MOT
8	1	171079	2N3440	TRANSIS, NPN	Q7	MOT
9	3	142011	121-1-.010	INSULATOR, WAFER 1.627X1.10		ABL
10	3	142029	4616	INSULATOR, LOCATING PLATE		KEY
11	1	170582	LAS2215	I. C. , 2215	U3	LAM
12	1	170581	LAS2212	I. C. , 2212	U4	LAM
13	2	167053	469544	ASSY, REGULATOR, NEG. VOLTAGE	A4/A5	DSI
15	1	180244	469608	ASSY, A22-A2, LOW VOLT, REG	A2	DSI
17	7	142076	804, #4	LUG		
18	6	120090	MS51957-32	SCREW, PNHD, 6/32, 3/4		HPR
19	15	120243	MS35338-136	WASHER, SPLITLOCK, #6		HPR
21	2	130177	469206	GUIDE, RAIL, MOUNT		DSI
22	2	130178	469207	GUIDE, RAIL		DSI
23	1	130176	469205	RAIL, MOUNT, CONN		DSI
24	1	130200	469256	ANCHOR, COVER, TOP, REAR		DSI
25	1	130226	469752	FAB, PANEL, REAR		DSI
26	4	120166	MS51957-15	SCREW, PNHD, 4-40X3/8		HPR
27	23	120164	MS51957-13	SCREW, PNHD, 4-40X1/4		HPR
28	4	120155	MS24693-C3	SCREW, FLHD, 4/40, 5/16		HPR
29	2	120174	MS51957-28	SCREW, PNHD, 6-32X3/8		HPR
30	2	120068	MS51957-30	SCREW, PNHD, 6/32, 1/2		HPR

Assembly : 469941
Stock Number : 179048

ASSY, POWER SUPPLY, A22

REV D1
05/01/86

Item	Qty	Stk Num	Part Number	Description	Reference Desig.	Mfr
31	3	120186	MS51957-9	SCREW, PNHD, 2/56X3/4		HPR
33	4	120160	MS51957-12	SCREW, PNHD, 4/40, 3/16		HPR
34	31	120242	MS35338-135	WASHER, SPLITLOCK, #4		HPR
36	33	120255	NAS620C4	WASHER, FLAT, #4		HPR
41	1	105066	469926	TAG, 1470 MHZ, OUTPUT		DSI
42	1	105059	469228	TAG, LED		DSI
43	20	121064	MS-08	GASKET, RFI		SPI
45	1	141193	3080-2242-00	CONN, COAX, N/SMA		OSM
47	1	142114	4634	COVER, TRANSIS, NYLON		KEY
48	1	142119	03-06-1041	RECEPTACLE, MODEL 1625-4	J130	MOL
49	4	142120	02-06-1103	TERMINAL, FEMALE	J130	MOL
50	1	179131	469476	ASSY, POWER SUPPLY, CONN		DSI

Assembly : 469500
Stock Number : 180170

ASSY, MODULE, AC, A22-A1

REV F2
05/01/86

Item	Qty	Stk Num	Part Number	Description	Reference Desig.	Mfr
1	2	156028	39D118G050HP4	CAP, ELECT, 1100 UF, 50V	C1, 2	SPC
2	2	156023	3186BC402U040AMA1	CAP, ELECT, 4000 UF, 40V	C3, 4	MEP
3	1	156044	36DX183G010AB2A	CAP, ELECT, 18000 UF, 10V	C5	SPG
4	1	156024	3186BC192U075AMA1	CAP, ELECT, 1900 UF, 75V	C6	MEP
5	1	130447	469188	PANEL, PLUGIN, LOW FREQUENCY		DSI
6	1	145136	311006	FUSE, 6AMP, LOW VOLT (32V)	F5	LTF
7	2	145043	313003	FUSE, 3 AMP, SLO-BLO	F1, 2	LTF
8	2	145123	311004	FUSE, 4AMP, LOW VOLT (32V)	F3, 4	LTF
9	1	145122	311010	FUSE, 10AMP, LOW VOLT (32V)	F5	LTF
10	1	145041	313.125	FUSE, 1/8 AMP, SLO-BLO	F6	LTF
11	1	179122	469467	ASSY, AC MODULE, CONN		DSI
12	2	167033	51-321-319	FILTER, EMI	FL1, 2	SPC
13	6	167047	9051-100-0000	FILTER, EMI	FL3-8	ERI
14	2	162001	1270-016	CAP, FEEDTHRU	C7, 8	
15	1	130210	469275	SHIELD, POWER, SUPPLY		DSI
17	6	145078	342014	HOLDER, FUSE		LTF
18	1	130211	469276	COVER, POWER, SUPPLY		DSI
19	1	152029	RS-5-1	RES, W. W., 1 HMS, 5W	R1	DAL
20	1	152024	RC42GF271J	RES, C. COMP, 270 HMS, 2W	R2	ALB
21	2	130175	469203	GUIDE, CHASSIS		DSI
22	1	105058	469227	PLATE, LINE, VOLTAGE		DSI
23	1	145054	46206-LFR	SWITCH, SLIDE, DPDT	S1	SWC
24	1	145047	42A36-01-02-3N	SWITCH, ROTARY, 2P3T	S2	GHI
25	2	130180	469219	RETAINER, CAP		DSI
26	1	134043	469050	TRANSFORMER, POWER	T1	DSI
27	8	121045	8181-A-0440-B	SPACER, 1/40D, 4/40, 3 1/4LG		AMA

Assembly : 469500
Stock Number : 180170

ASSY, MODULE, AC, A22-A1

REV F2
05/01/86

Item	Qty	Stk Num	Part Number	Description	Reference Desig.	Mfr
28	4	142038	766A	TERMINAL, INSULATED		USE
30	5	172112	MDA2502	DIODE, BRIDGE, 200V, 25AMP	U1-5	MOT
31	8	142020	29A-.250	LUG, GND, 1/4, ID		ZIE
32	1	142037	75, #4	LUG		ZIE
33	1	142046	EAC-310	RECEPT. AC		SWC
34	14	120155	MS24693-C3	SCREW, FLHD, 4/40, 5/16		HPR
36	4	120152	MS24693-C1	SCREW, FLHD, 4/40, 3/16		HPR
37	2	120168	MS51957-17	SCREW, PNHD, 4/40, 1/2		HPR
38	2	120167	MS51957-16	SCREW, PNHD, 4-40X7/16		HPR
41	16	120166	MS51957-15	SCREW, PNHD, 4-40X3/8		HPR
42	6	132066	ARLON 7A	PAD, RUBBER		ARL
44	32	120255	NAS620C4	WASHER, FLAT, #4		HPR
48	28	120242	MS35338-135	WASHER, SPLITLOCK, #4		HPR
52	12	120259	NAS671C4	NUT, 4/40		HPR
53	1	140029	1123BK-4	KNOB		RAD
54	1	121082	75-327	BUSHING, TERMINAL KIT		SPG
57	1	179154	469193	ASSY. TOROID, INSIDE		DSI
58	4	120195	MS51959-29	SCREW, FLHD, 6/32X7/16		HPR
59	9	120248	MS35649-264	NUT, HEX, 6/32		HPR
60	9	120243	MS35338-136	WASHER, SPLITLOCK, #6		HPR
61	1	142117	03-06-1032	RECEPTACLE, MODEL 1625-3	J6	MOL
62	3	142120	02-06-1103	TERMINAL, FEMALE	J6	MOL
63	1	161054	V631L-115-VAC	FAN, AC, WITH CAP		MIR
64	1	130453	469165	BRACKET, GROUND		DSI
65	2	120337	MS24693-C268	SCREW, FLHD, CSK 100, 10-32X1/4		MIL
66	4	120336	MS24693-C273	SCREW, FLHD, CSK 100, 10-32X5/8		MIL

Assembly : 469500
Stock Number : 180170

ASSY, MODULE, AC, A22-A1

REV F2
05/01/86

Item	Qty	Stk Num	Part Number	Description	Reference Desig.	Mfr
68	1	121030	AN931-7-11, RC#19	GROMMET, RUBBER		PUR
69	1	120347	MS35309-6	SCREW, 1/4-20X3/4, HEX BRASS		MIL
70	2	120346	MS51969-1	NUT, HEX, 1/4-20, BRASS	71	MIL
71	1	111039	4016-5	TAPE, FOAM, DOUBLE SIDED, 1/2 IN		MMM
72	1	142116	03-06-2032	PLUG, MODEL 1625-3	P6	MOL
73	3	142121	02-06-2103	TERMINAL, MALE	P6	MOL
74	1	179155	469194	ASSY, TOROID, OUTSIDE		DSI
75	5	120351	MS51959-32	SCREW, FLHD, 6-32X3/4, B2, CSNK		HPR
76	5	120256	NAS620C6	WASHER, FLAT, #6		HPR

Assembly : 469608
Stock Number : 180244

ASSY, A22-A2, LOW VOLT, REG

REV E3
05/01/86

Item	Qty	Stk Num	Part Number	Description	Reference Desig.	Mfr
1	4	158004	CS13BE107K	CAP, TANT, 100 UF, 20V	C1, 3, 5, 7	SPG
2	8	158008	CS13BF105K	CAP, TANT, 1 UF, 35V	C2, 4, 6, 8, 10, 12, 15, 16	SPG
3	1	154071	CK06BX105K	CAP, CER, 1 UF	C18	AVX
4	2	158002	CS13BB337K	CAP, TANT, 330 UF, 6V	C9, 11	SPG
5	2	158010	CS13BF476K	CAP, TANT, 47 UF, 35V	C13, 14	SPG
6	2	163019	DM15-102J	CAP, MICA, 1000 PF	C19, 20	ARC
7	3	154048	RPE12275U103M	CAP, CER, .01 UF, 100V	C21-23	ERI
8	13	172066	1N4002	DIODE, SILICON	CR1, 2, 4, 5, 9, 10, 13, 14 , 17, 18, 20, 21, 26	MOT
9	2	172067	1N4742A	DIODE, ZENER, 12V, 1W, 5%	CR3, 11	MOT
10	2	172061	1N3020B	DIODE, ZENER, 10V, 1W, 5%	CR6, 15	MOT
11	7	172010	1N914	DIODE, SILICON, D035	CR7, 8, 12, 16, 19, 22, 24	MOT
12	1	172063	1N3030B	DIODE, ZENER, 27V, 1W, 5%	CR23	MOT
13	1	172064	1N3031B	DIODE, ZENER, 30V, 1W, 5%	CR25	MOT
14	7	172086	HLMP-1301	DIODE, LED, RED	DS1-7	HEW
15	4	153069	3262X-1-502K	RES, ADJ, 5K	R1, 5, 9, 13	BRN
16	7	153060	3057P-1-201K	RES, ADJ, 200 HMS	R3, 7, 11, 15, 23, 30, 38	BRN
17	2	151054	R50J1.3K	RES, C. FILM, 1.3K, 1/2W, 5%	R4, 12	ROM
18	4	150004	R25J1K	RES, C. FILM, 1K, 1/4W, 5%	R8, 16, 19, 26	ROM
19	2	151059	R50J62	RES, C. FILM, 62 HMS, 1/2, 5%	R17, 24	ROM
20	16	151033	R50J1	RES, C. FILM, 1 HMS, 1/2W, 5%	R18, 25, 31-34, 51-60	ROM
21	2	152029	RS-5-1	RES, W. W., 1 HMS, 5W	R35, 36	DAL
22	2	153068	3262X-1-202K	RES, ADJ, 2K	R20, 27	BRN
23	2	150006	R25J4.7K	RES, C. FILM, 4.7K, 1/4W, 5%	R21, 28	ROM
24	2	150142	R25J360	RES, C. FILM, 360 HMS, 1/4W, 5%	R22, 29	ROM
25	1	150003	R25J470	RES, C. FILM, 470 HMS, 1/4W, 5%	R37	ROM

Assembly : 469608
Stock Number : 180244

ASSY, A22-A2, LOW VOLT, REG

REV E3
05/01/86

Item	Qty	Stk Num	Part Number	Description	Reference Desig.	Mfr
26	2	151053	R50J10K	RES, C. FILM, 10K, 1/2W, 5%	R46, 50	
27	1	153067	3262X-1-103K	RES, ADJ, 10K	R40	BRN
28	2	170685	UA723	I. C., 723	U1, 2	FRS
29	8	142002	026-4006-000-209	TEST, POINTS	TP1-8	CAM
30	2	141223	514-AG-10D	SOCKET, 14 PIN, I. C.		AUG
31	6	120213	350-1246-12-07-00	STANDOFF		CAM
32	1	147214	469215	P. C., CARD, A22-A2		DSI
33	30	142057	160-2004-02-01-00	TERMINAL, TURRET		CAM
34	6	120299	3448-B-144	WASHER, FLAT, BRASS, #6, .312 OD		AMA
35	6	142079	LAS2215-PIN	PIN, SOCKET		LAM

Assembly : 469609
Stock Number : 180245

ASSY, REG, 50V, A22-A3

REV A1
05/01/86

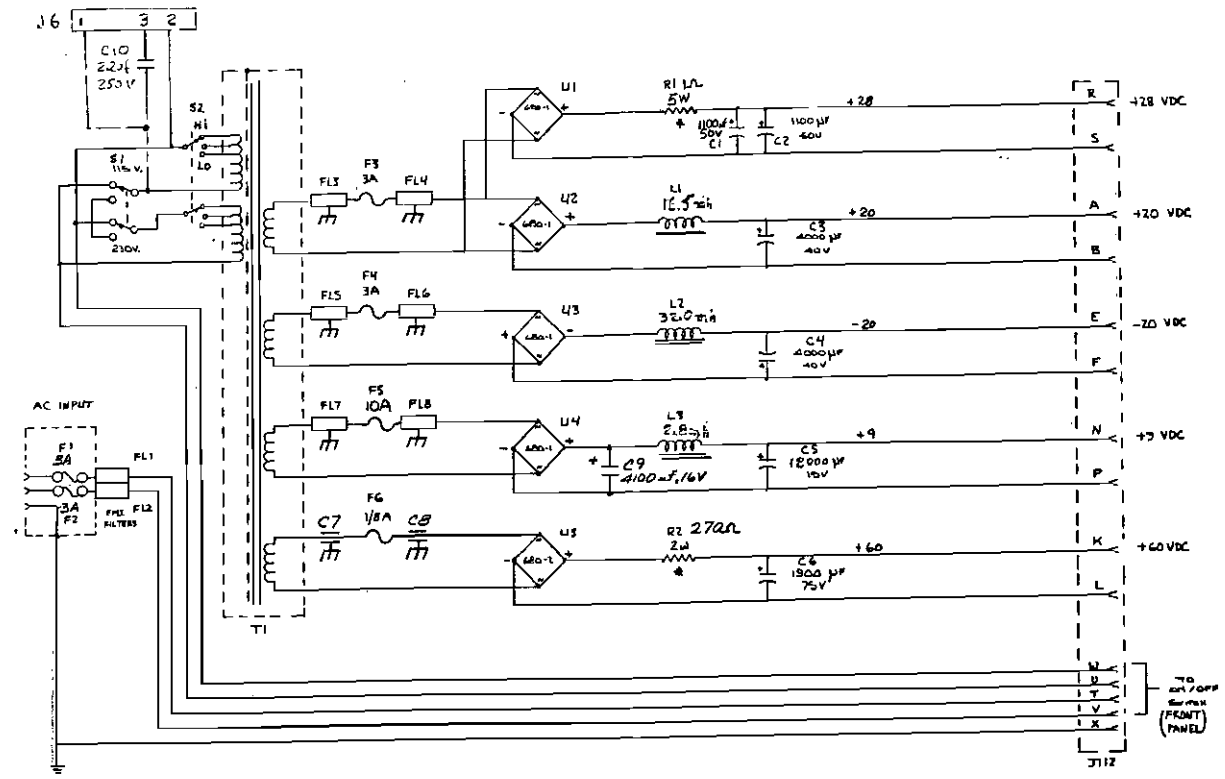
Item	Qty	Stk Num	Part Number	Description	Reference Desig.	Mfr
1	1	163030	DM15-511J	CAP. MICA, 510 PF	C15	ARC
2	1	158011	CS13BH106K	CAP, TANT, 10 UF, 75V	C16	SPG
3	1	154048	RPE12275U103M	CAP, CER, .01 UF, 100V	C17	ERI
4	1	172069	1N5365A	DIODE, ZENER, 36V, 5W, 10%	CR28	MDT
5	1	172070	1N5372A	DIODE, ZENER, 62V, 5W, 10%	CR29	MDT
6	1	172012	1N4004	DIODE, SILICON	CR30	MDT
7	1	150004	R25J1K	RES. C. FILM, 1K, 1/4W, 5%	R41	ROM
8	1	150012	R25J47K	RES. C. FILM, 47K, 1/4W, 5%	R39	ROM
9	1	152026	RC42GF511J	RES. C. COMP, 510 HMS, 2W	R44	ALB
10	2	150138	R25J3K	RES. C. FILM, 3K, 1/4W, 5%	R42, 43	ROM
11	1	150148	R25J5.1	RES. C. FILM, 5.1 HMS, 1/4W, 5%	R45	ROM
12	1	170685	UA723	I. C. , 723	U7	FRS
13	1	141223	514-AG-10D	SOCKET, 14 PIN, I. C.		AUG
14	3	120216	350-1249-11-07-00	STANDOFF, 1/4		CAM
15	1	147199	469117	P. C. , CARD, A22-A3		DSI

Assembly : 469544
Stock Number : 167053

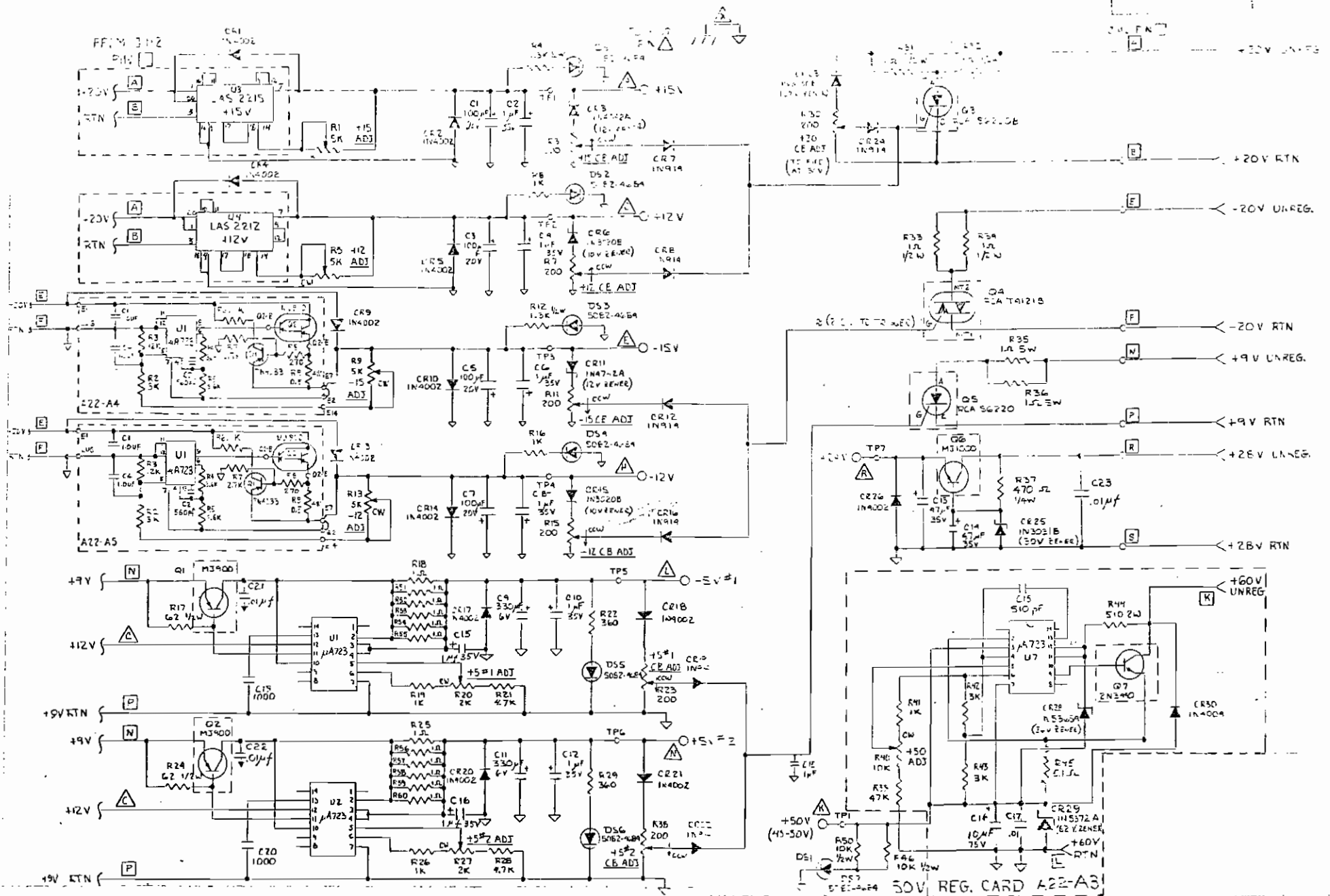
ASSY, REGULATOR, NEG. VOLTAGE

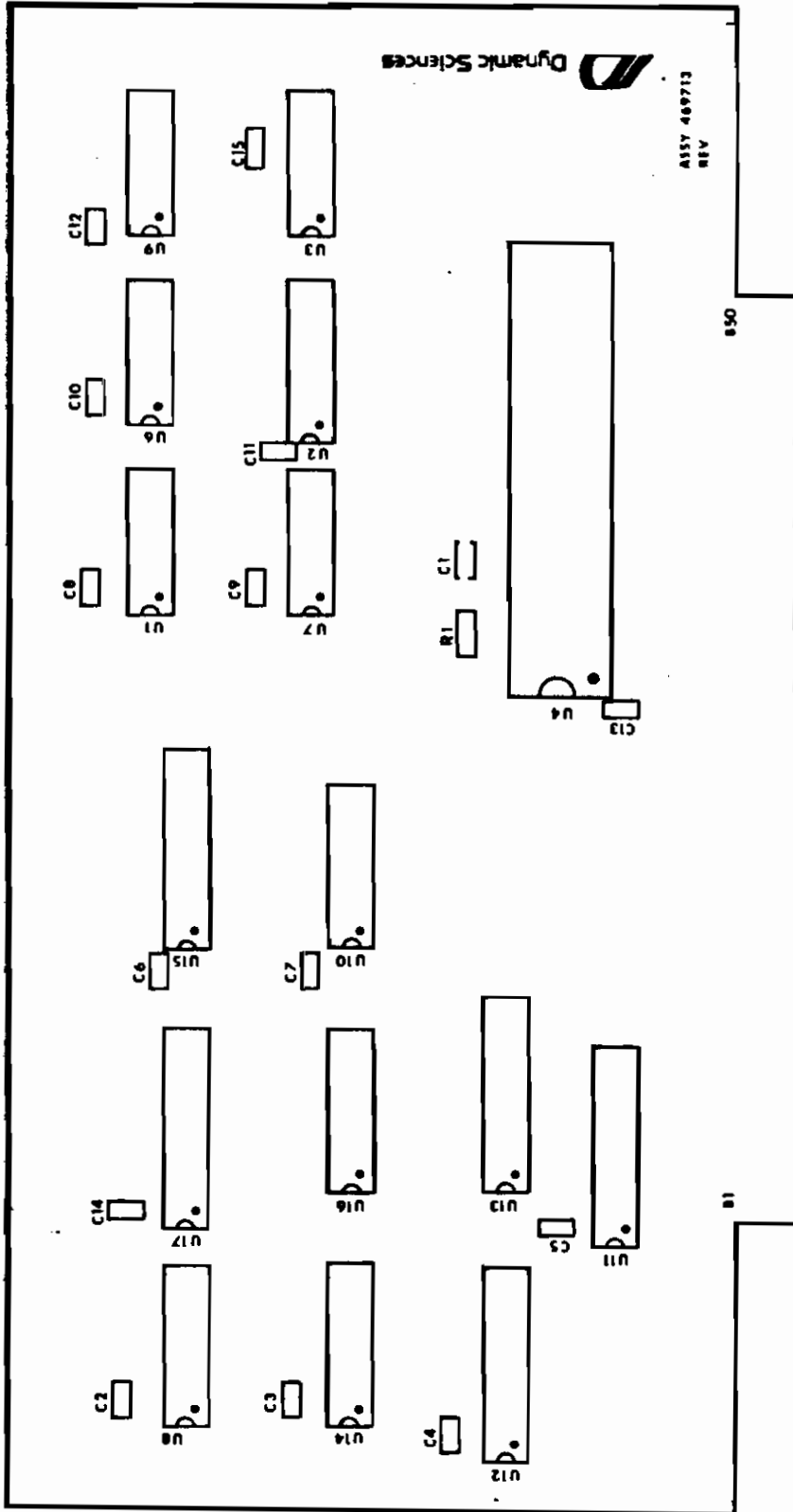
REV A
05/01/86

Item	Qty	Stk Num	Part Number	Description	Reference Desig.	Mfr
1	1	141223	514-AG-10D	SOCKET, 14 PIN, I. C.		A
2	2	120167	MS51957-16	SCREW, PNHD, 4-40X7/16		HPR
3	2	120236	AN960-C4L	WASHER, FLAT, #4		HPR
4	2	120242	MS35338-135	WASHER, SPLITLOCK, #4		HPR
5	2	120279	350-1248-09-07-00	STANDOFF		CAM
6	4	142078	160-1026-02-05	TERMINAL		CAM
7	1	142010	12-1-.010	INSULATOR, PREFORM		ABL
8	1	142077	4651	INULATOR, MICA, MODIFIED		KEY
9	1	130307	469170	BASEPLATE		DSI
10	1	147263	469171	PCB, REGULATOR, NEG VOLT, R1250		DSI
11	2	125174	FIT 100	WIRE, 3/16"		
13	1	152036	TG-5-.05	RES, .5 OHM, W. W., 4W, 3%	R9	TRW
14	1	150004	R25J1K	RES, C. FILM, 1K, 1/4W, 5%	R6	RDM
15	1	150005	R25J2.7K	RES, C. FILM, 2.7K, 1/4W, 5%	R7	I
16	1	150069	R25J270	RES, C. FILM, 270 HMS, 1/4W, 5%	R8	RDM
17	1	148021	RL07S302G	RES, M. FILM, 3.0K, 2%	R2	ALB
18	2	148043	RL07S362G	RES, M. FILM, 3.6K, 1/4W, 2%	R4, R5	ALB
19	1	148042	RL07S123G	RES, M. FILM, 12K, 1/4W, 2%	R3	ALB
22	1	154066	CK05BX561K	CAP, CER, 560 PF	C2	AVX
23	2	154047	RPE113Z5U105M50V	CAP, CER, 1 UF, 50V, 20%	C4, C1	ERI
26	1	171114	TN4033	TRANSIS	Q1	NSC
27	1	171094	MJ900	TRANSIS, PNP	Q2	MOT
28	6	125173	ET-20	WIRE, INS STRANDED		PIW
30	1	170685	UA723	I. C., 723	U1	FRS



POWER SUPPLY, A22A1
A 22-17



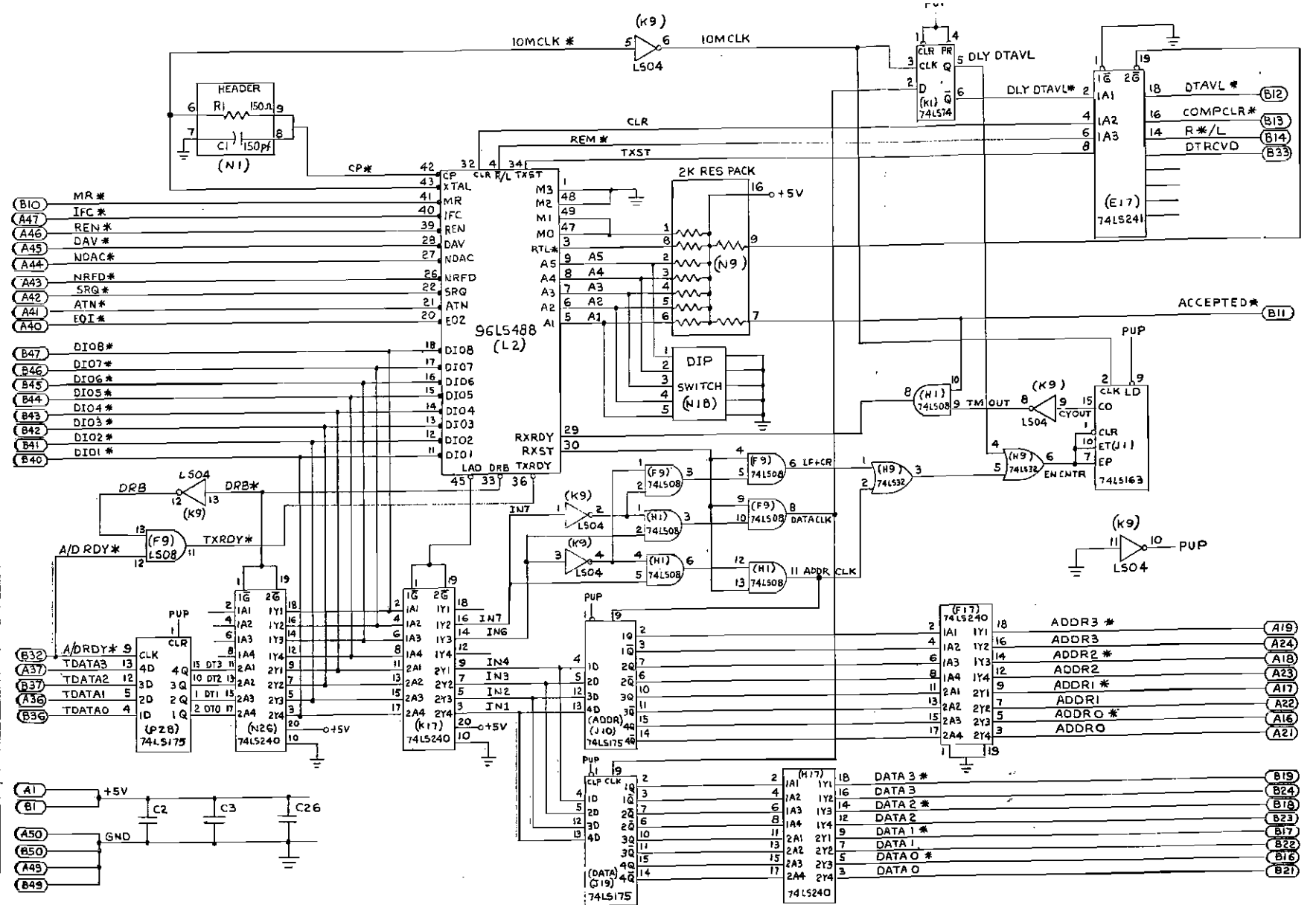


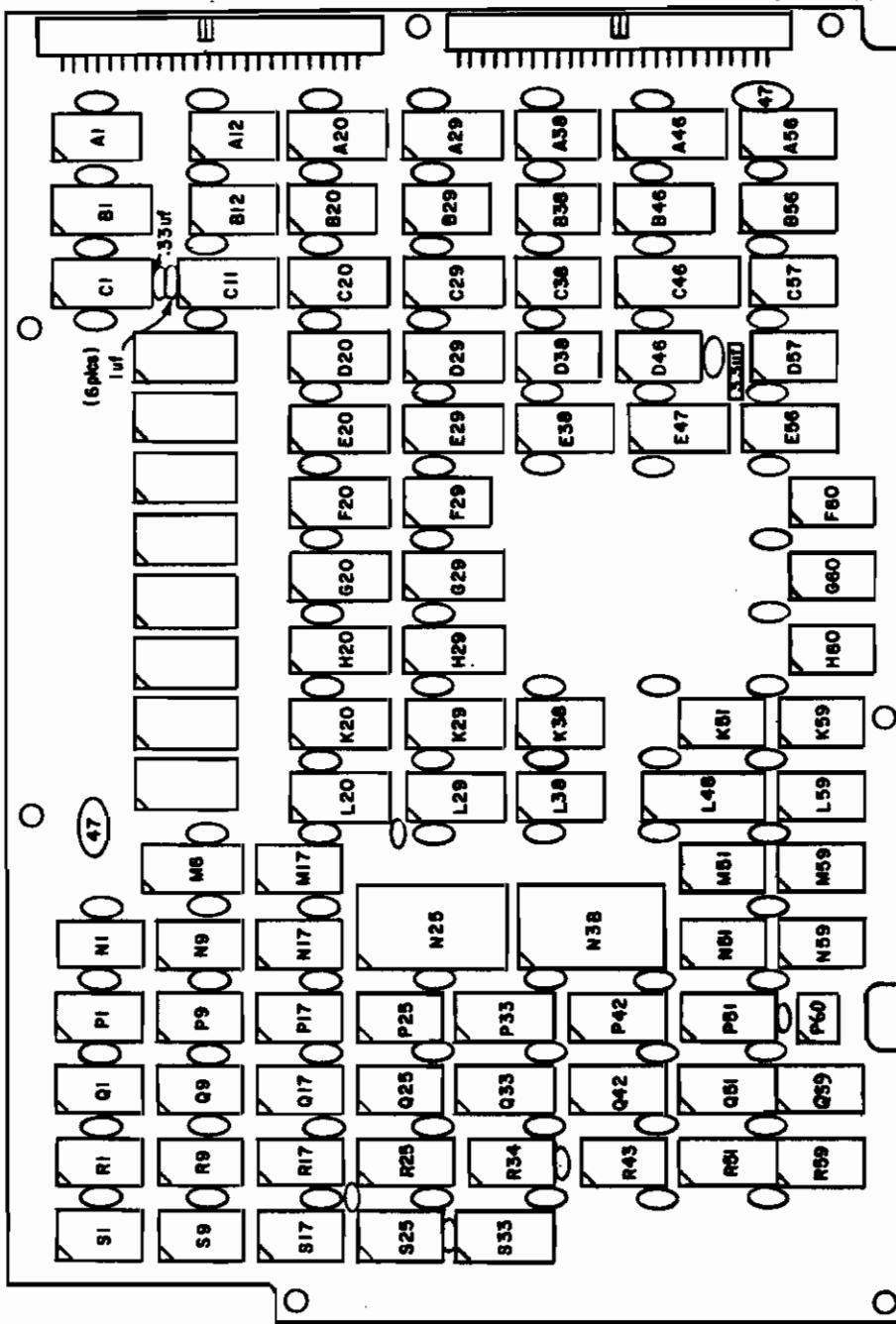
Assembly : 469713
Stock Number : 180250

ASSY, IEEE INTERFACE, A23

REV C2
05/01/86

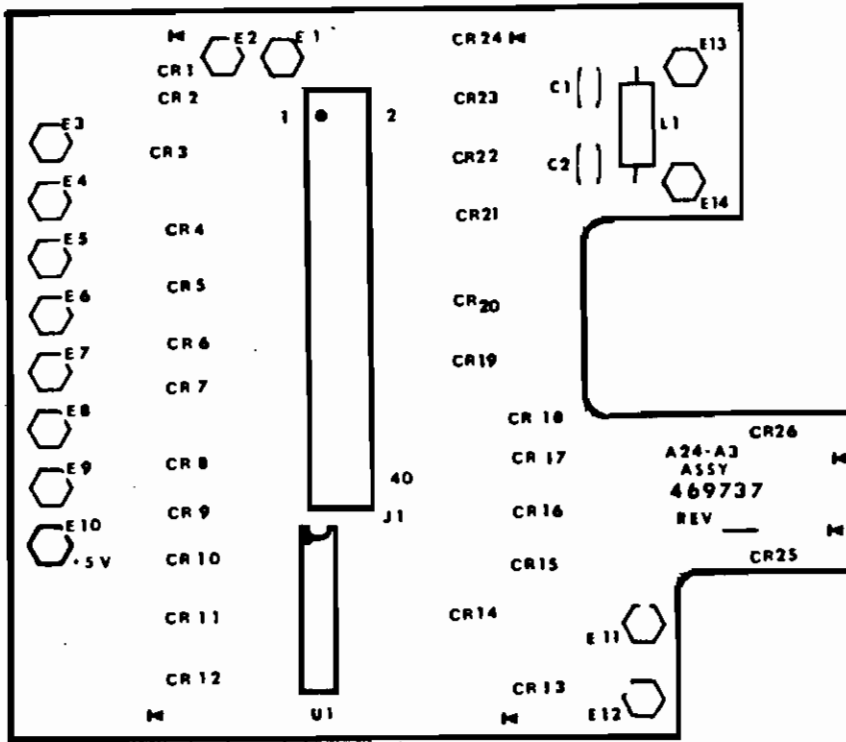
Item	Qty	Stk Num	Part Number	Description	Reference Desig.	Mfr
1.	1	147262	469948	P. C. , CARD, A23, IEEE-488 BUSS		E
3	5	141223	514-AG-10D	SOCKET, 14 PIN, I. C.	U1, 3, 6, 7, 9	AUG
4	5	141225	516-AG-10D	SOCKET, 16 PIN, I. C.	U2, 8, 10, 14, 16	AUG
5	5	141311	520-AG-10D	SOCKET, 20 PIN, I. C.	U11, 12, 13, 15, 17	AUG
6	2	141231	524-AG-10D	SOCKET, 24, PIN, I. C.	U4	AUG
7	1	170697	898-1-R2K	RESIS PAK, 2 K, 5%, BUSS, 16 DIP	U10	BEC
8	1	170576	F96LS488DC	I. C. , 96LS488, CER	U4	FRS
9	1	170232	74LS74	I. C. , 74LS74	U3	TXI
10	1	170094	74LS04	I. C. , 74LS04, HEX, INVERTER	U9	TXI
11	1	170663	SN74LS163	I. C. , 74LS163	U2	TXI
12	1	170167	74LS32	I. C. , 74LS32, QUAD-2, INPUT	U7	TXI
13	2	170117	74LS08	I. C. , 74LS08, QUAD, AND	U1, 6	TXI
14	2	170573	74LS175	I. C. , 74LS175	U8, 14	TXI
15	4	170574	74LS240	I. C. , 74LS240	U12, 13, 15, 17	
16	1	170575	74LS241	I. C. , 74LS241	U11	TXI
17	1	145034	K40-D8S	SWITCH, DIP, SPST, 16 PIN	U16	ARE
18	1	150034	R25J150	RES, C. COMP, 150 HMS, 1/4W, 5%	R1	ROM
19	1	154056	CK05BX151K	CAP, CER, 150 PF	C1	AVX
20	14	154045	RPE121Z5U104M100V	CAP, CER, .1 UF, 100V	C2-15	ERI
21	3	121054	B1591-B-11	MOUNT, BLOCK		USE
23	3	120164	MS51957-13	SCREW, PNHD, 4-40X1/4		HPR
24	3	120242	MS35338-135	WASHER, SPLITLOCK, #4		HPR
25	1	179152	469493	ASSY, MOUNTING PLATES, A23		DSI



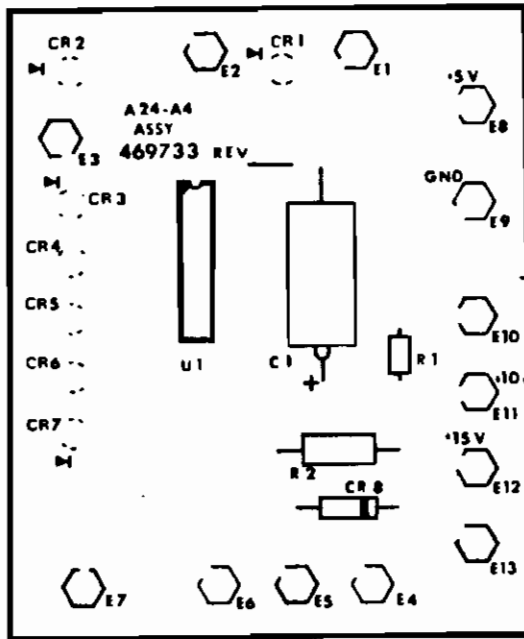


A24-A1

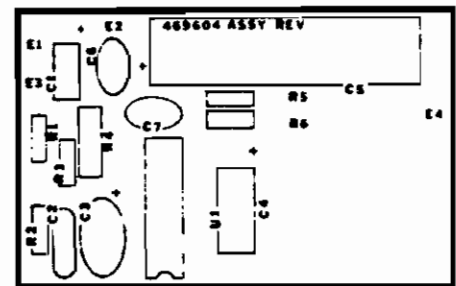
A 2 4 - 1



A24-A3



A24-A4



A24-A10

Assembly : 469730
Stock Number : 179010

ASSY, FRONT PANEL, A24

REV J2
05/01/86

Item	Dty	Stk Num	Part Number	Description	Reference Desig.	Mfr
1	1	130225	469731	PANEL, FRONT DETAIL		DSI
3	1	180255	469735	ASSY, FRONT PANEL, A24-A1	A24-A1	DSI
4	1	180256	469737	ASSY, FRONT PANEL, A24-A3	A24-A3	DSI
5	1	180254	469733	ASSY, FRONT PANEL, A24-A4	A24-A4	DSI
6	1	180258	469742	ASSY, A24-A5	A24-A5	DSI
7	1	180259	469743	ASSY, A24-A8	A24-A8	DSI
8	1	180242	469604	ASSY, AMP, AUDIO, A24-A10	A24-A10	DSI
9	1	179012	469771	ASSY, FRONT PANEL, SHIELD	A24-A2	DSI
10	1	129010	469423	WINDOW, EMC		DSI
11	1	131017	469264	BEZEL		DSI
12	1	130203	469265	PLATE, BEZEL, BACK-UP		DSI
13	1	130170	469161	ANCHOR, COVER, TOP, FRONT		DSI
14	1	126000	469754	ASSY, CABLE		DSI
16	1	145000	84BB1-001	KEYBOARD, FRONT MTG	S4	GHI
17	1	161030	152-1176	METER, .5-E MODEL	M1	EPI
18	1	161007	5060-0329	PULSE GEN ASSY	S2	HEW
20	1	153086	70KIG048R102U	RES. ADJ 1K, W/SWITCH	R6	ALB
21	1	153095	70KIG048R503U	RES, ADJ 50K, W/SWITCH	R7	ALB
22	2	153084	70BIG048P103W	RES, ADJ 10K	R2, 8	ALB
23	2	153085	70BIG048P503W	RES, ADJ 50K		ALB
24	1	150058	R25J51K	RES, C. FILM, 51K, 1/4W, 5%	R11	RDM
25	1	145062	7211P3DE	SWITCH, TOGGLE, DP3T	S16	CKC
26	1	145072	MTF-206P	SWITCH, TOGGLE, DPDT	S5	ALS
27	1	145069	9201P3H3E	SWITCH, TOGGLE, DPST	S12	CKC
28	3	145060	7201P3DE	SWITCH, TOGGLE, DPST	S1, 6, 15	CKC
29	1	145125	919C70100	RELAY, SPDT	K1	TRS

Assembly : 469730
Stock Number : 179010

ASSY, FRONT PANEL, A24

REV J2
05/01/86

Item	Qty	Stk Num	Part Number	Description	Reference Desig.	Mfr
31	1	145050	436037-1	SWITCH, ROTARY, BCD	S14	f
32	1	145049	436028-1	SWITCH, ROTARY, BCD	S13	AMP
33	1	145052	436042-1	SWITCH, ROTARY	S3	AMP
34	1	150094	R25J5. 1K	RES, C. FILM, 5. 1K, 1/4W, 5X	R12	ROM
35	4	141193	3080-2242-00	CONN, COAX, N/SMA	J1, 2, 8, 9	OSM
36	4	141259	KC-19-118	CONN, COAX, BNC	J3, 4, 5, 7	KEC
37	5	141222	051-311-3196-220	CONN, COAX, SMB, RTA		SEA
38	2	140033	A62-BL-8-L	KNOB, .62 OD BLUE	R6, 7	RAD
39	5	140032	A62-BL-4-L	KNOB, 5/8, DIA	R1, 2, 8, 9, 10	RAD
40	1	140040	S15-2-BL-4	KNOB, SPINNER	S2	RAD
41	2	140030	A102-BL-4	KNOB, 1.00 OD BLUE	S3, 13	RAD
42	1	140031	A62-BL-4	KNOB, .62 OD BLUE	S14	RAD
46	2	120231	9739-A-0632	STANDOFF, ALUM, 6/32, 1/2, M/F		AMA
47	2	120232	9740-N-0632	STANDOFF, NYLON, 6/32, 5/8, M/F		f
48	2	120219	4313	STANDOFF, NYLON, 6/32, 7/8, F/F		HHS
49	3	120220	4316	STANDOFF, NYLON, 6/32, 1.0, F/F		HHS
50	3	142061	756A	TERMINAL, INSULATED		USE
51	1	172010	1N914	DIODE, SILICON, D035	CR2	MGT
54	6	120294	NAS662C2R5	SCREW, FLHD, 2-56, 5/16, LG		HPR
56	7	120255	NAS620C4	WASHER, FLAT, #4		HPR
57	23	120242	MS35338-135	WASHER, SPLITLOCK, #4		HPR
58	6	120166	MS51957-15	SCREW, PNHD, 4-40X3/8		HPR
59	1	141183	22-01-2056	CONN, 5 PIN	S14	MOL
60	1	141184	22-01-2076	CONN, 7 PIN	S13	MOL
61	1	141187	22-01-2176	CONN, 17 PIN	S3	MOL
62	22	120256	NAS620C6	WASHER, FLAT, #6		HPR

Assembly : 469730

Stock Number : 179010

ASSY, FRONT PANEL, A24

REV
2 700

REV J2

05/01/85

Item	Qty	Stk Num	Part Number	Description	Reference Desig.	Mfr
63	10	120243	MS35338-136	WASHER, SPLITLOCK, #6		HPR
64	6	120248	MS35649-264	NUT, HEX, 6/32		HPR
65	2	120174	MS51957-28	SCREW, PNHD, 6-32X3/8		HPR
66	7	120205	2503	SCREW, PNHD, NYLON, 6/32, 1/4		HHS
67	3	142056	15-04-9209	KEY, POLARIZING		MDL
68	1	120239	MS25082-C20	NUT, THIN, 3/8, 32		HPR
69	15	120259	NA5671C4	NUT, 4/40		HPR
70	15	142040	87667-2	CONTACT, CRIMP		AMP
76	2	142032	558-.38	LUG, GND, 3/8, ID	R1, 9, 10	ZIE
77	3	142009	115-.25	LUG, GND, 1/4, ID	S1, 5, 15	ZIE
80	3	142047	KC8958	COVER, BNC	FOR SHIPPING ONLY	KEC
81	3	142024	346-0045-00	CORD, BNC, COVER	FOR SHIPPING ONLY	TEK
82	2	120088	MS51957-30	SCREW, PNHD, 6/32, 1/2		HPR
83	1	179125	469470	ASSY, FRONT PANEL, CONN		DSI
84	3	125160	RG178 B/U	CABLE, COAX		ALC
85	1	153101	70B1G048P103A	RES, ADJ, 10K	R10	ALB
86	1	105079	469765	LABEL, METER FACE, R1250		DSI
87	21	142053	08-50-0136	TERMINALS, CONN		MDL
88	24	125333	250-3908	CABLE, COAX, DOUBLE SHIELD		MDT
89	4	141237	055-628-9188-310	CONN, COAX, SMA		SEA
91	8	120211	2707-18550-N116	WASHER, NYLON, SHLDR, 5/16		AMA
93	1	130452	469619	MOUNT, RELAY, SPDT		DSI
94	2	130471	470551-2	INSULATOR, TYPE N, R1250		DSI
96	12	120127	MS51957-19	SCREW, PNHD, 4/40, 3/4		HPR
97	1	142118	03-06-2041	PLUG, MODEL 1625-4	P130	MDL
98	4	142121	02-06-2103	TERMINAL, MALE	P130	MDL

Assembly : 469730
Stock Number : 179010

ASSY, FRONT PANEL, A24

REV J2
05/01/86

Item	Qty	Stk Num	Part Number	Description	Reference Desig.	Mfr
99	6	141358	227868-1	CONN, COAX, SMA, Ø85		F
100	18	125163	UT85TP	CABLE, COAX		UTI

Assembly : 469735
Stock Number : 180255

ASSY, FRONT PANEL, A24-A1

REV G3
05/01/86

Item	Qty	Stk Num	Part Number	Description	Reference Desig.	Mfr
1	1	147251	469736	P. C. , CARD, LOGIC BD		DSI
2	8	141168	516-AG-11D	SOCKET, 16 PIN, I.C.		AUG
5	228	142052	150-1206-02-04-00	CLIP, POWER AND GROUND		CAM
7	8	141286	316-AG5F-R	SOCKET, 16 PIN, DIP		AUG
8	48	141177	ICS-314-WGG-2	SOCKET, 14 PIN, DIP		SAM
9	38	141178	ICS-316-WGG	SOCKET, 16 PIN, DIP		SAM
10	2	141179	ICS-318-WGG	SOCKET, 18 PIN, DIP		SAM
11	2	141180	ICS-320-WGG-2	SOCKET, 20 PIN, DIP		SAM
12	2	141176	IC-624-WGG-2	SOCKET, 24 PIN, DIP		SAM
13	2	141154	609-5047	CONN, 50 PIN, HEADER	J1, 2	AUG
14	1	141221	051-051-0000-220	CONN, COAX	J3	SEA
15	1	170618	74LS173	I. C. , 74LS173, QUAD, D, FLIP/FLOP	A56	TXI
16	1	170707	MM74C922N	I. C. , KEYBOARD ENCODER	A46	NSC
18	4	170094	74LS04	I. C. , 74LS04, HEX, INVERTER	A38, R43, Q25, Q9	TXI
19	5	170093	74LS00	I. C. , 74LS00, QUAD, NAND	C57, H60, G60, R1, R17	TXI
20	2	170516	74LS377	I. C. , 74LS377, OCTAL, D, FLIP/FLOP	C46, L48	TXI
21	5	170101	74LS02	I. C. , 74LS02, QUAD, NOR	D46, R25, S9, M17, M1	TXI
22	2	170209	74LS54	I. C. , 74LS54, AND OR INVERT	K51, S9	TXI
23	5	170615	74LS164	I. C. , 74LS164, 8 BIT SERIAL	B38, C38, D38, L38, K38	TXI
24	3	170158	74LS27	I. C. , 74LS27, 3, INPUT, NOR	M59, Q1, L59	TXI
25	2	170556	74LS260	I. C. , 74LS260, DUAL, 5, INPUT, NOR	N59, F29	SIG
26	1	170213	74LS55	I. C. , 74LS55, 2 WIDE-4 INPUT	N51	TXI
27	4	170117	74LS08	I. C. , 74LS08, QUAD, AND	M51, R34, N1, P1	TXI
28	1	170617	74LS169	I. C. , 74LS169, BINARY, UP/DOWN	P51	TXI
29	2	170709	CD4040B	I. C. , 4040, 12 STAGE RIPPLE	Q51, R51	RCA
30	1	170266	74LS123	I. C. , 74LS123, DUAL, ONE SHOT	S44	TXI

Assembly : 469735
Stock Number : 180255

ASSY, FRONT PANEL, A24-A1

REV G3
05/01/86

Item	Qty	Stk Num	Part Number	Description	Reference Desig.	Mfr
31	1	170614	74LS138	I. C. , 74LS138, 3:8 DECODER	G42	T
32	11	170276	74LS157	I. C. , 74LS157, QUAD, 2:1 MUX	B1, P33, R25, L20, K20, H20, G20, F20, E20, D20, C20	TXI
33	8	170895	SN74ALS168BN	IC, SYNCH BIN UP/DWN 4 BIT CNTR	L29, K29, H29, G29, Q33, E29, D29, C29	TXI
34	8	170681	TIL 309	I. C. , DECIMAL DISPLAY, RT. PT.	DS1-DS8	TXI
36	3	170145	74LS20	I. C. , 74LS20, DUAL, 4-INPUT, NAND	N17, P17, A12	TXI
37	3	170203	74LS51	I. C. , 74LS51, AND-OR-INVERT GATE	D57, S1, R9	TXI
38	3	170124	74LS10	I. C. , 74LS10, 3-INPUT, NAND	F60, Q17, N9	TXI
39	2	170115	7407	I. C. , 7407, HEX INVERTER	P9, B12	TXI
40	1	170711	316A243	RESIS PAK, 24 K, 5%, BUSS, 16 DIP	C11	ALB
41	1	170692	314B102	RESIS PAK, 1 K, 5%, ISO, 16 DIP	S9	ALB
42	1	170712	314B622	RESIS PAK, 6. 2K, 5%, ISO, 14 DIP	A1	ALB
43	2	172085	FSA2619M	DIDDE PAK	A20, 29	F
44	1	170713	316B103	RESIS PAK, 10 K, 5%, ISO, 16 PIN	E38	ALB
45	1	170714	316B152	RESIS PAK, 1. 5K, 5%, ISO, 16 DIP	E47	ALB
46	2	170715	FPQ2907	I. C. , TRANSIS, ARRAY	B20, 29	FRS
47	2	170263	74LS109	I. C. , 74LS109, JK POS, EDGE	S25, 34	TXI
48	1	170886	469180	ASSY, I. C. , PROM, E56	E56	DSI
51	1	158021	CS13BD335K	CAP, TANT, 3. 3 UF	CAP3	SPG
52	1	154051	RPE113Z5U334M100V	CAP, CER, . 33 UF, 100V	CAP1	ERI
53	2	158020	T368-C476-K020AS	CAP, TANT, 47 UF, 20V		KEM
54	93	154048	RPE122Z5U103M	CAP, CER, . 01 UF, 100V	FILTER CAPS, CAP2	ERI
55	6	154047	RPE113Z5U105M50V	CAP, CER, 1 UF, 50V, 20%		ERI
57	14	142068	T44	PIN, STAKE		VCL
59	1	170718	469935	ASSY, I. C. , PROM	B46	DSI

Assembly : 469735
Stock Number : 180255

ASSY, FRONT PANEL, A24-A1

REV G3
05/01/86

Item	Qty	Stk Num	Part Number	Description	Reference Desig.	Mfr
60	1	170719	469936	ASSY, I. C., PROM	B56	DSI
61	1	170720	469937	ASSY, I. C., PROM	P42	DSI
62	1	170721	469938	ASSY, I. C., PROM	M8	DSI
63	1	170722	469939	ASSY, I. C., PROM	N25	DSI
64	1	170723	469940	ASSY, I. C., PROM	N38	DSI
65	1	170674	SN74S04J	I. C., 74S04, CER	S17	TXI
71	1	170738	UDN2981A	I. C., 2981	S54	SPG
72	1	150007	R25J10K	RES, C. FILM, 10K, 1/4W, 5%	S63	ROM
73	1	163070	DM5EC470J	CAP, MICA, 47 PF	S64	ARC
74	1	163063	DM5EC300J	CAP, MICA, 30 PF	S65	ARC

Assembly : 469737
Stock Number : 180256

ASSY, FRONT PANEL, A24-A3

REV B1
05/01/86

Item	Qty	Stk Num	Part Number	Description	Reference Desig.	Mfr
1	1	147228	469738	P.C., CARD, A24-A3		D.
2	1	126007	469753	ASSY, CABLE, R1250		DSI
4	14	142012	140-2089-02-01-00	TERMINAL, BIF	E1-14	CAM
6	26	172006	HLMP-1301	DIODE, LED, RED	CR1-CR26	HEW
8	1	166015	WD-10	INDUCTOR, 10 UH	L1	NYT
9	1	170691	314A331	RESIS PAK, 330 OHM, 5%, BUSS, 14 D U1		ALB
11	2	154048	RPE12275U103M	CAP, CER, .01 UF, 100V	C1, 2	ERI

Assembly : 469733
Stock Number : 100254

ASSY, FRONT PANEL, A24-A4

REV C
05/01/86

Item	Qty	Stk Num	Part Number	Description	Reference Desig.	Mfr
1	1	147227	469734	P. C. ,CARD, A24-A4		DSI
4	13	142012	140-2089-02-01-00	TERMINAL, BIF	E1-E13	CAM
6	7	172086	HLMP-1301	DIODE, LED, RED	CR1-CR7	HEW
7	1	172074	1N758A	DIODE, ZENER, 10V, .4W, 5x	CR8	MOT
9	1	150147	R25J510	RES, C. FILM, 510 HMS, 1/4W, 5x	R1	ROM
10	1	151055	R50J180	RES, C. FILM, 180 HMS, 1/2W, 5x	R2	ROM
12	1	158004	CS138E107K	CAP, TANT, 100 UF, 20V	C1	SPG
14	1	170691	314A331	RESIS PAK, 330 OHM, 5x, BUSS, 14 D U1		ALB

Assembly : 469742
Stock Number : 180258

ASSY, A24-A5

REV A1
05/01/86

Item	Qty	Stk Num	Part Number	Description	Reference Desig.	Mfr
1	1	147230	469739-2	P. C., CARD, A24-A5		1
2	2	172086	HLMP-1301	DIODE, LED, RED		HEW

Assembly : 469743
Stock Number : 180259

ASSY, A24-A8

REV B
05/01/86

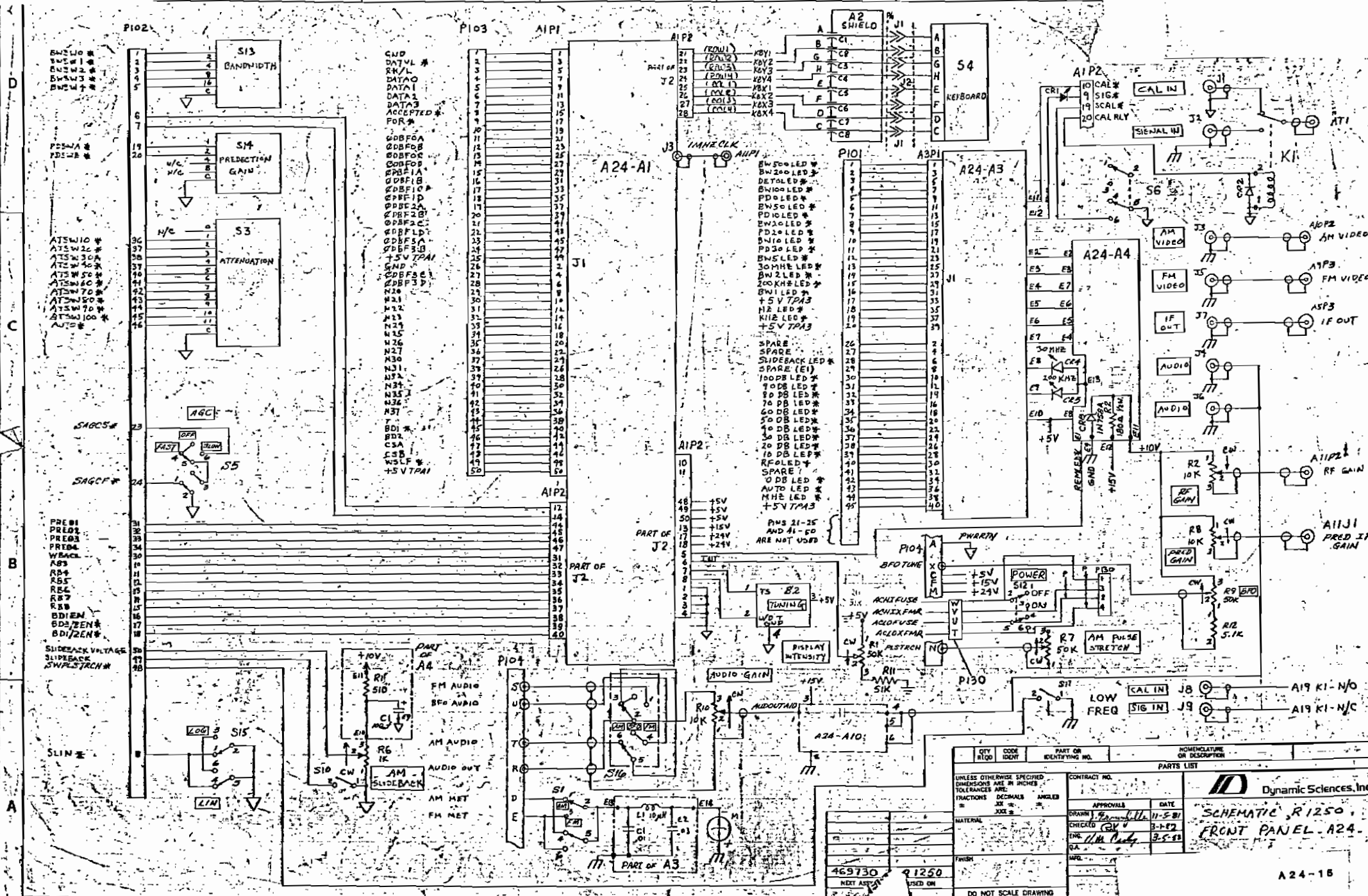
Item	Qty	Stk Num	Part Number	Description	Reference Desig.	Mfr
1	1	147229	469739-1	P. C. , CARD, A24-A8		DSI
2	1	172086	HLMP-1301	DIODE, LED, RED		HEW

Assembly : 469604
Stock Number : 180242

ASSY, AMP, AUDIO, A24-A10

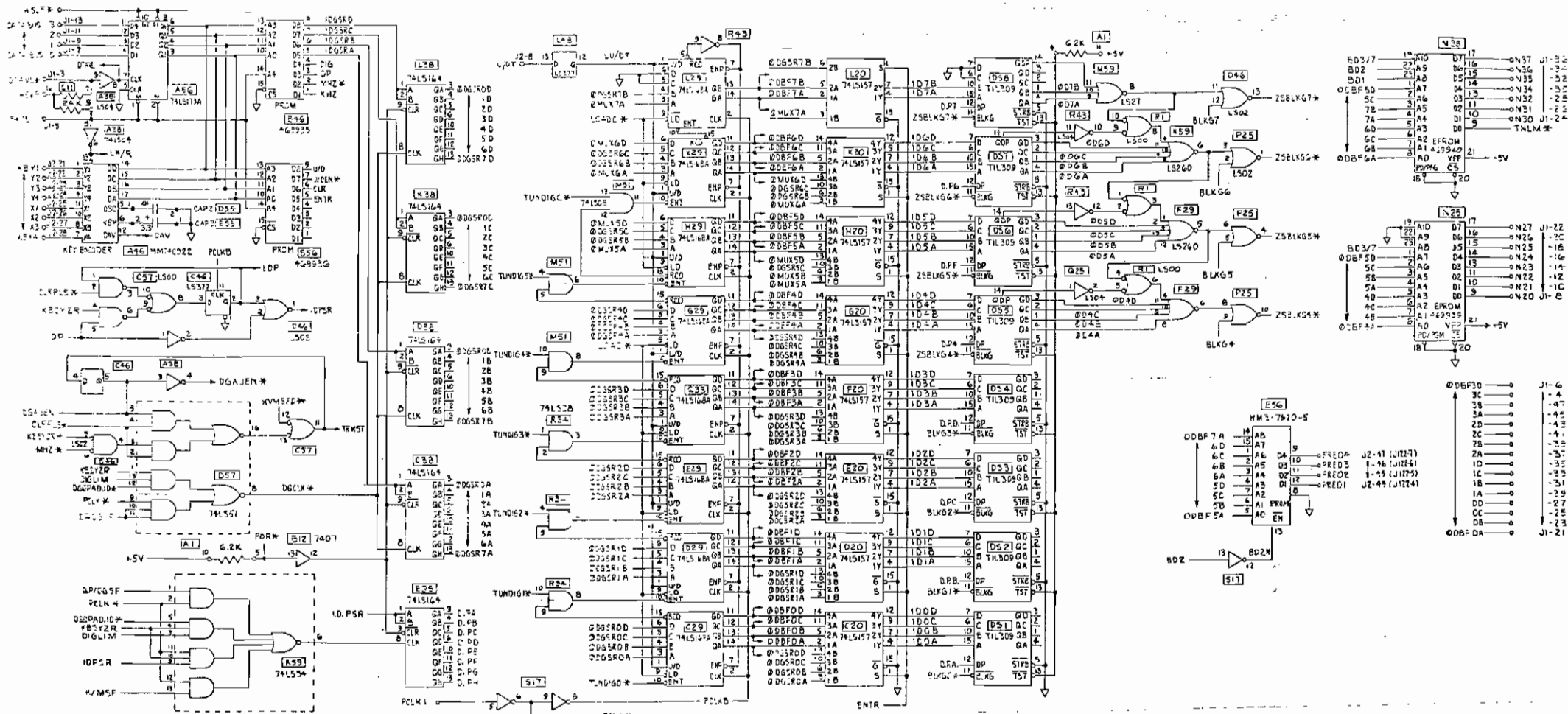
REV C1
05/01/86

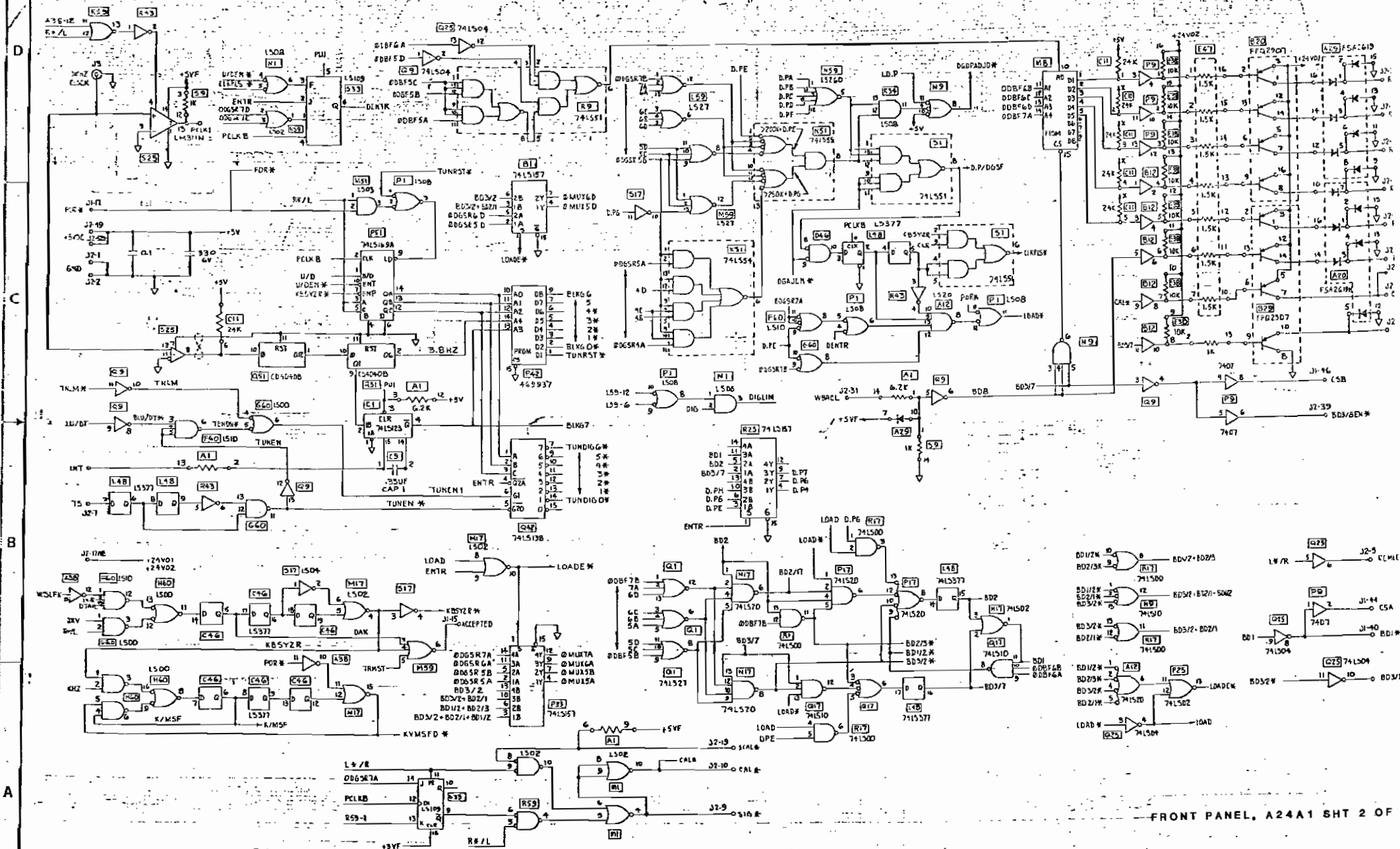
Item	Qty	Stk Num	Part Number	Description	Reference Desig.	Mfr
1	1	147217	469281	P. C. , CARD, A24-A10		L
2	1	142045	CN11	JACK, AUDIO	J6	SWC
3	1	170698	LM380N	I. C. , AUDIO	U1	NSC
4	1	158019	TC1505	CAP, TANT, 500 UF, 15V	C5	MAL
5	1	158008	CS138F105K	CAP, TANT, 1 UF, 35V	C1	SPG
6	1	158005	CS13BE156K	CAP, TANT, 15 UF, 20V	C4	SPG
7	1	162001	1270-016	CAP, FEEDTHRU	C8	ERI
8	1	163028	DM15-471J	CAP, MICA, 470 PF	C2	ARC
9	1	150004	R25J1K	RES, C. FILM, 1K, 1/4W, 5%	R3	ROM
10	1	150007	R25J10K	RES, C. FILM, 10K, 1/4W, 5%	R1	ROM
11	2	150058	R25J51K	RES, C. FILM, 51K, 1/4W, 5%	R2, 5	ROM
12	1	151061	R50J10	RES, C. FILM, 10 HMS, 1/2W, 5%	R4	ROM
13	4	142012	140-2089-02-01-00	TERMINAL, BIF	E1-E4	COM
14	2	142080	75-0.093	LUG, .093		ZIE
15	1	120176	MS51957-3	SCREW, PNHD, 2/56, 1/4		HPR
16	1	120258	NAS671C2	NUT, HEX, 2-56		HPR
17	1	120132	MS35338-134	WASHER, SPLITLOCK, #2		HPR
18	1	158020	T368-C476-K020AS	CAP, TANT, 47 UF, 20V	C3	KEM
19	1	154047	RPE113Z5U105M50V	CAP, CER, 1 UF, 50V, 20%	C6	ERI
20	1	154045	RPE121Z5U104M100V	CAP, CER, .1 UF, 100V	C7	ERI
21	1	150135	R25J2.7	RES, C. FILM, 2.7 HMS, 1/4W, 5%	R6	ROM



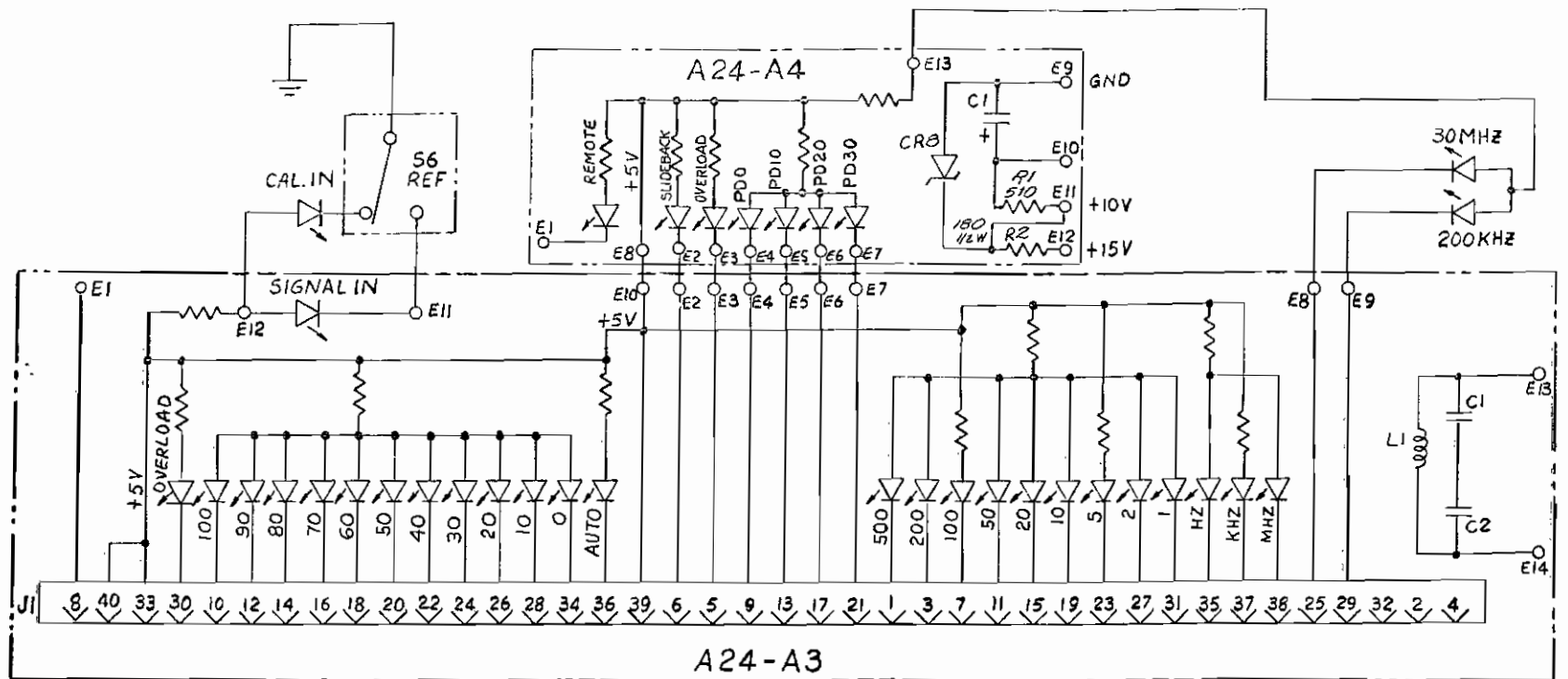
QTY	REQD	CODE IDENT	PART OR IDENTIFYING NO.	NOMENCLATURE OR DESCRIPTION	FIG NO
PARTS LIST					
UNLESS OTHERWISE SPECIFIED DIMENSIONS ARE IN INCHES TOLERANCES ARE FRACTIONS DECIMALS ANGLES			CONTRACT NO.		
			APPROVALS		DATE
MATERIAL			DRAWN <i>[Signature]</i>		11-5-81
			CHECKED <i>[Signature]</i>		3-1-82
			ENG <i>[Signature]</i>		3-5-82
			QA		
			MFG.		
469730			R1250		
NEXT ASSY			USED ON		
DO NOT SCALE DRAWING					

Dynamic Sciences, Inc.
SCHEMATIC R1250
FRONT PANEL - A24-





FRONT PANEL, A24A1 SHT 2 OF 1



2. FOR COMPLETE SCHEMATIC SEE 469729
 1. ALL RESISTORS ARE 330Ω, 1/8W IN NETWORK.
 NOTES: UNLESS OTHERWISE SPECIFIED:

FRONT PANEL LED DISPLAY, A24A3 & A24A4
 A 2 4 - 1 8

Assembly : 469740
Stock Number : 180257

ASSY, MW BRACKET#1

REV E3
05/01/86

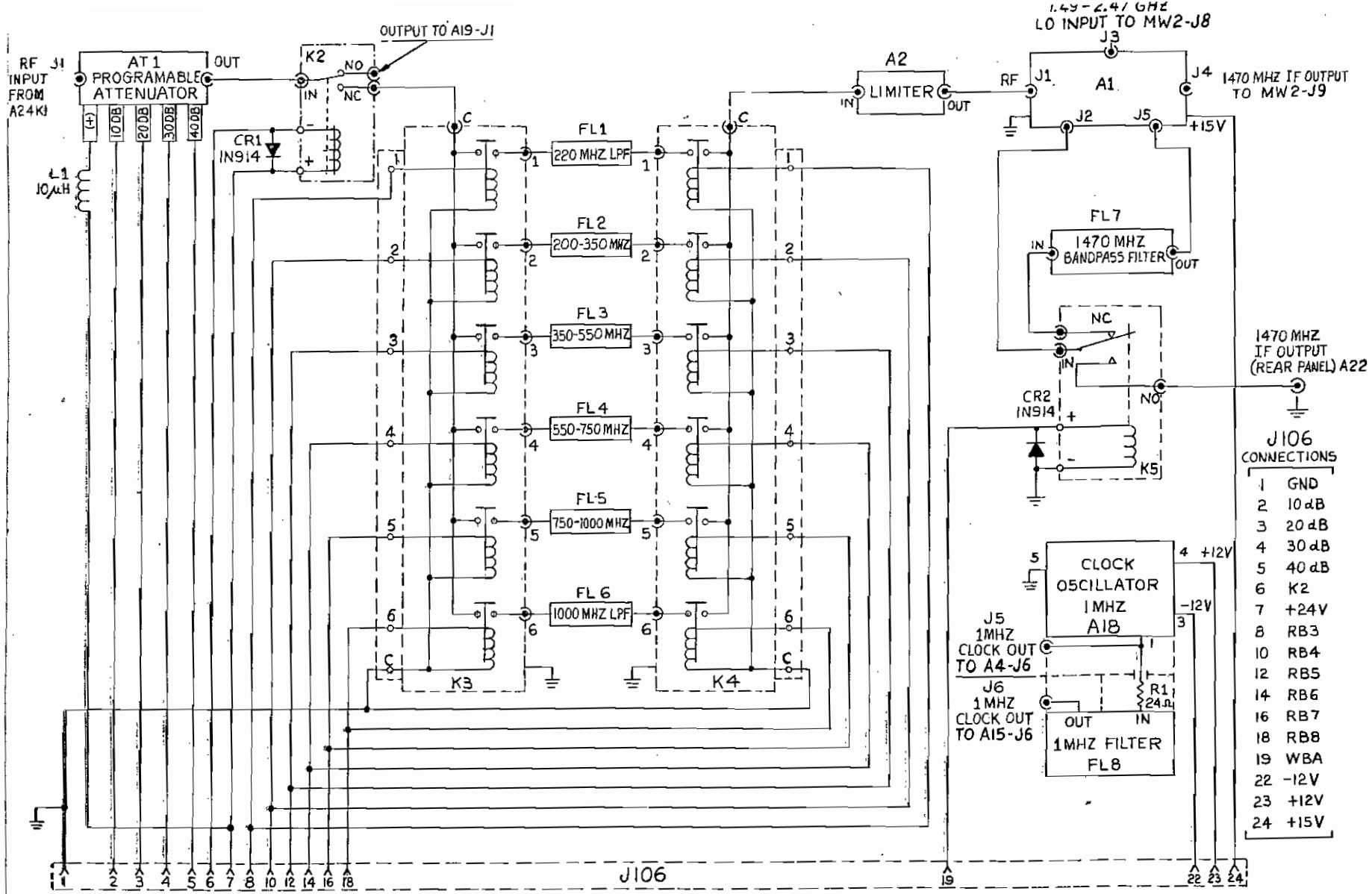
Item	Qty	Stk Num	Part Number	Description	Reference Desig.	Mfr
1	1	130427	469027	SUBCHASSIS, MW#1		DSI
2	1	130169	469160	MOUNT, SPDT, COAX, SWITCH		DSI
3	1	130164	469147	BRACKET, MOUNT, FILTER		DSI
4	1	130424	469432	BRACKET, RELAY, MTG PLATE		DSI
5	1	130426	469436	BRACKET, CLOCK, MTG		DSI
6	1	130425	469435	BRACKET, CLOCK, MTG		DSI
8	12	142028	4521-75-62-1C	CLIP		SES
9	1	142034	683, #4	LUG		ZIE
10	2	141220	051-049-0000-220	CONN, COAX	J5, 6	SEA
11	1	180171	469508	ASSY, CONVERTER, MW, M1-A1	A1	DSI
12	1	161003	MIC-3175-1	LIMITER	A2	AEL
13	1	168004	500-0138	OSCILLATOR, CLOCK, 1 MHZ	A18	WZL
14	1	161009	50DA100-131	ATT, PRDG, 100dB	AT1	ALN
15	1	167059	469381	FILTER, CRYSTAL, 220 MHZ	FL1	DSI
16	1	167054	469382	FILTER, CRYSTAL, 275-170 MHZ	FL2	DSI
17	1	167055	469383	FILTER, CRYSTAL, 350-550 MHZ	FL3	DSI
18	1	167057	469384	FILTER, CRYSTAL, 550-750 MHZ	FL4	DSI
19	1	167058	469385	FILTER, CRYSTAL, 750-1000 MHZ	FL5	DSI
20	1	167063	469386	FILTER, CRYSTAL, 1100 MHZ	FL6	DSI
21	1	167021	469775	FILTER, BP, 1470MHZ	FL7	DSI
22	1	167069	469378	FILTER, CRYSTAL, XTAL, 1 MHZ	FL8	DSI
23	2	145125	919C70100	RELAY, SPDT	K2, 5	TRS
24	2	145088	146C70600-8	RELAY, SP6T	K3, 4	TRA
25	1	166015	WD-10	INDUCTOR, 10 UH	L1	NYT
26	1	150134	R25J24	RES, C. FILM, 24 HMS, 1/4W, 5%	R1	ROM
27	4	120191	MS51959-13	SCREW, FLHD, 4/40X1/4		HPR

Assembly : 469740
Stock Number : 180257

ASSY, MW BRACKET#1

REV E3
05/01/86

Item	Qty	Stk Num	Part Number	Description	Reference Desig.	Mfr
28	4	120172	MS51957-26	SCREW, PNHD, 6-32X1/4		
29	14	120166	MS51957-15	SCREW, PNHD, 4-40X3/8		HPR
30	2	120164	MS51957-13	SCREW, PNHD, 4-40X1/4		HPR
31	4	120087	MS51957-34	SCREW, PNHD, 6/32, 1.0		HPR
32	4	120195	MS51959-29	SCREW, FLHD, 6/32X7/16		HPR
33	4	120127	MS51957-19	SCREW, PNHD, 4/40, 3/4		HPR
34	4	120193	MS51959-26	SCREW, FLHD, 6-32X1/4		HPR
35	22	120242	MS35338-135	WASHER, SPLITLOCK, #4		HPR
36	12	120243	MS35338-136	WASHER, SPLITLOCK, #6		HPR
37	5	120260	NAS671C6	NUT, HEX, 6-32		HPR
38	14	120259	NAS671C4	NUT, 4/40		HPR
41	4	120192	MS51959-14	SCREW, FLHD, 4/40X5/16		HPR
48	2	142014	1480A	TERMINAL, INSULATED		USE
49	2	172010	1N914	DIODE, SILICON, D035	CR1, 2	I
50	1	142037	75, #4	LUG		ZIE
51	2	125177	SW22	SLEEVING, TRFLON		PIW
52	2	125176	22-T/C	WIRE, BUSS, 22 GA		PIW
53	2	120256	NAS620C6	WASHER, FLAT, #6		HPR
54	2	132068	920-2693	GROMMET, CATAPILLAR		HHS
55	37	141358	227868-1	CONN, COAX, SMA, 085		AMP
56	1	130430	469434	BRACKET, RELAY MTG		DSI
57	1	130429	469433	BRACKET, RELAY MTG		DSI
58	1	179126	469471	ASSY, M1, CONN		DSI
59	1	179132	469477	ASSY, M1 CABLES, SEMI-RIGID		DSI
60	4	120238	MS15795-803	WASHER, FLAT #4		HPR
61	4	172066	1N4002	DIODE, SILICON	CR3-6	MCT



MICROWAVE BRACKET NO. 1
MW1-8

Assembly : 469745
 Stock Number : 180261

ASSY, MW BRACKET#2

REV F
 05/01/86

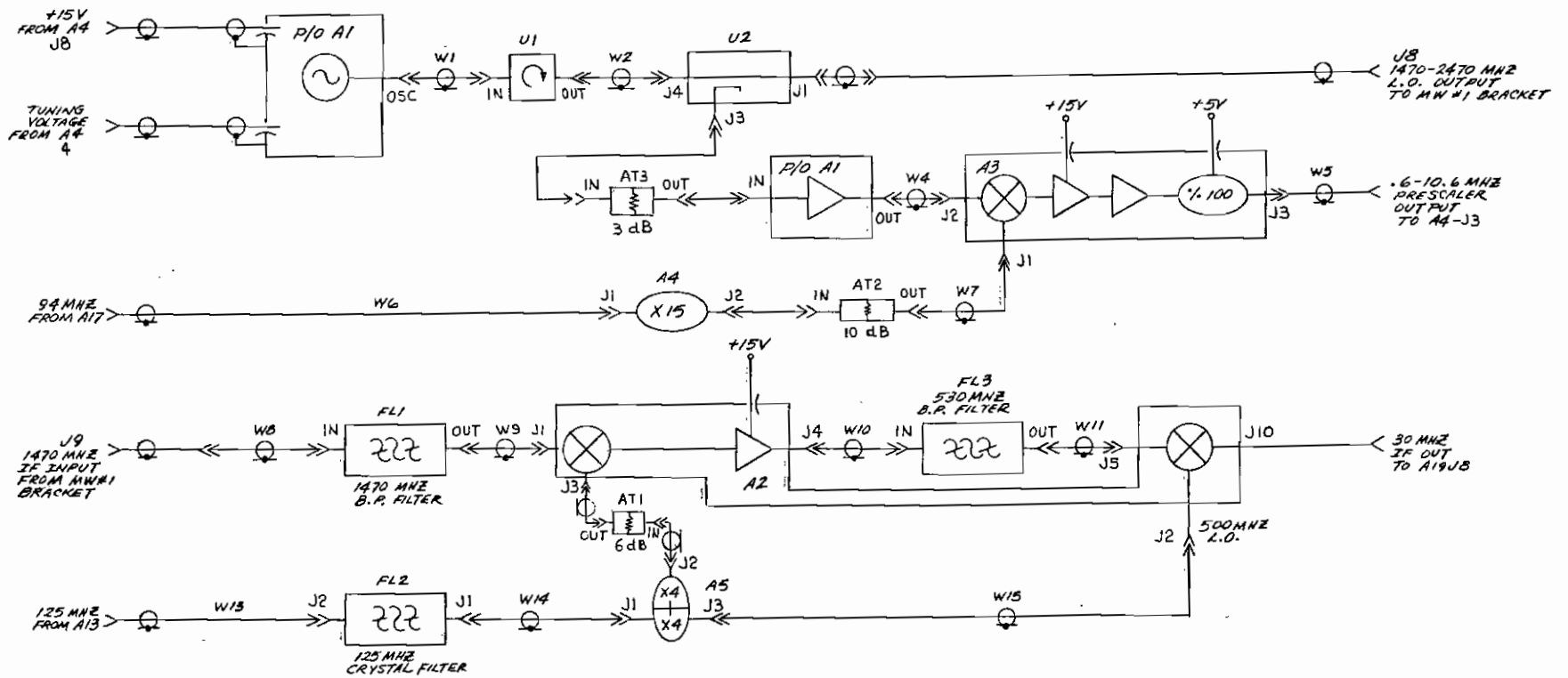
Item	Qty	Stk Num	Part Number	Description	Reference Desig.	Mfr
1	1	130165	469151	FAB, BRACKET, MW #2		DSI
3	1	130221	469411	PLATE, MTG, COUPLER		DSI
4	1	180169	469363	ASSY, OSC, M2-A1	A1	DSI
5	1	180172	469509	ASSY, CONVERTER, MW, M2-A2	A2	DSI
6	1	180173	469510	ASSY, PRESCALER, M2-A3	A3	DSI
7	1	161006	469914	MULTIPLIER, 1470MHZ	A4	DSI
8	1	161005	469913	MULTIPLIER, 2GHZ	A5	DSI
9	1	167021	469775	FILTER, BP, 1470MHZ	FL1	DSI
10	1	167022	469776	ASSY, 125MHZ FILTER, M2-FL2	FL2	DSI
12	1	167056	469380	FILTER, CRYSTAL, 530 MHZ	FL3	DSI
13	1	161014	CT-2106-0T	ISOLATOR, 1.5-3.0 GHZ	U1	UTE
14	1	161013	CL1530-10	COUPLER, 10DB	U2	ENM
15	1	161012	A406M	TERMINATOR, PAD, 6DB	AT1	ENM
16	1	130244	469911	ADAPTER PLATE, 1410 MHZ		DSI
17	1	130243	469910	ADAPTER PLATE, 2GHZ		DSI
18	4	141222	051-311-3196-220	CONN, COAX, SMB, RTA		SEA
19	2	141237	055-628-9188-310	CONN, COAX, SMA		SEA
20	1	141257	JF1S-3PB	CONN, 4 PIN	P109	WIN
25	2	121076	B1553-1/4-11	SPACER, .131D, .250D, .25LG		USE
27	6	125160	RG178 B/U	CABLE, COAX		ALC
28	2	161032	A410M	TERMINATOR, PAD, 10 DB	AT2*, AT4*	ENM
29	8	120151	MS24693-4	SCREW, FLHD, 4/40, 3/8		HPR
30	2	120159	MS51957-10	SCREW, PNHD, 2/56, 7/8		HPR
31	20	120166	MS51957-15	SCREW, PNHD, 4-40X3/8		HPR
32	4	120174	MS51957-28	SCREW, PNHD, 6-32X3/8		HPR
33	2	120163	MS51957-125	SCREW, PNHD, 6/32, 1.375		HPR

Assembly : 469745
Stock Number : 180261

ASSY, MW BRACKET#2

REV F
05/01/86

Item	Qty	Stk Num	Part Number	Description	Reference Desig.	Mfr
35	2	120254	NAS620C2	WASHER, FLAT, #2		
37	16	120255	NAS620C4	WASHER, FLAT, #4		HPR
38	2	120256	NAS620C6	WASHER, FLAT, #6		HPR
39	2	120132	MS35338-134	WASHER, SPLITLOCK, #2		HPR
40	28	120242	MS35338-135	WASHER, SPLITLOCK, #4		HPR
41	6	120243	MS35338-136	WASHER, SPLITLOCK, #6		HPR
42	2	120258	NAS671C2	NUT, HEX, 2-56		HPR
43	16	120259	NAS671C4	NUT, 4/40		HPR
44	2	120260	NAS671C6	NUT, HEX, 6-32		HPR
47	1	161012	A406M	TERMINATOR, PAD, 6DB	AT3*	ENM
48	1	179133	469478	ASSY, M2, CABLES, SEMI-RIGID		DSI



MICROWAVE BRACKET NO. 2
MW2-3

Assembly : 469750
Stock Number : 179011

ASSY, TOP

REV F10
05/01/86

Item	Qty	Stk Num	Part Number	Description	Reference Desig.	Mfr
1	1	179003	469503	ASSY, CHASSIS, IF	A19	DSI
2	2	131016	469021	FAB, FRAME, SIDE		DSI
3	1	179010	469730	ASSY, FRONT PANEL, A24	A24	DSI
4	1	179009	469717	ASSY, CARD CAGE, C1	C1	DSI
5	1	179048	469941	ASSY, POWER SUPPLY, A22	A22	DSI
6	1	180170	469500	ASSY, MODULE, AC, A22-A1	A1	DSI
7	1	180257	469740	ASSY, MW BRACKET#1	M1	DSI
8	1	180261	469745	ASSY, MW BRACKET#2	M2	DSI
9	1	130158	469095	FAB, PANEL, SIDE, LEFT		DSI
10	1	130171	469162-1	FAB, COVER, BOTTOM		DSI
11	1	179156	469168	ASSY, COVER, AIR DEFLECTOR		DSI
12	6	17	120180	MS51957-42	SCREW, PNHD, 8/32, 5/16	HPR
13	7	120182	MS51957-45	SCREW, PNHD, 8/32X1/2		HPR
14	4	120171	MS51957-25	SCREW, PNHD, 6/32, 3/16		HPR
15	2	120149	MS16395-50	SCREW, SOC. HD, 1/4-20		HPR
16	4	120181	MS51957-43	SCREW, PNHD, 8/32X3/8		HPR
17	24	120174	MS51957-28	SCREW, PNHD, 6-32X3/8		HPR
18	10	120088	MS51957-30	SCREW, PNHD, 6/32, 1/2		HPR
19	8	120194	MS51959-28	SCREW, FLHD, 6/32X3/8		HPR
20	2	120278	NAS620C4L	WASHER, FLAT, #4, THIN		HPR
21	24	120257	NAS620C8	WASHER, FLAT, #8		HPR
22	32	120256	NAS620C6	WASHER, FLAT, #6		HPR
23	6	120255	NAS620C4	WASHER, FLAT, #4		HPR
24	28	120244	MS35338-137	WASHER, SPLITLOCK, #8		HPR
25	38	120243	MS35338-136	WASHER, SPLITLOCK, #6		HPR
26	2	120242	MS35338-135	WASHER, SPLITLOCK, #4		HPR

Assembly : 469750
Stock Number : 179011

ASSY, TOP

REV F10
05/01/86

Item	Qty	Stk Num	Part Number	Description	Reference Desig.	Mfr
34	6	120260	NAS67106	NUT, HEX, 6-32		HPS
37	1	180247	469710	ASSY, A4, MW OSC-PLL CONT	A4	DSI
38	1	180175	469521	ASSY, PRED., GAIN, A5	A5	DSI
39	1	180176	469522	ASSY, AGC, AMP, A6	A6	DSI
40	1	180177	469523	ASSY, AM/BFO, DETECTOR, A7	A7	DSI
41	1	180178	469524	ASSY, LOG, AMP, A8	A8	DSI
42	1	180179	469525	ASSY, FM, DETECTOR, A9	A9	DSI
43	1	180180	469526	ASSY, A10, AM VID, SLBK PLSE, A S	A10	DSI
44	1	180248	469315	ASSY, A11, LOG & SWITCH CONT	A11	DSI
45	1	180249	469712	ASSY, A12, SYNTH 5, 30-50 MHZ	A12	DSI
46	1	180277	469900	ASSY, A13, SYNTH 1, 32 & 125 MHZ	A13 (469756 for 302)	DSI
47	1	180251	469714	ASSY, A14, SYNTH 2, 100-200 MHZ	A14	DSI
48	1	180263	469758	ASSY, A15	A15	DSI
49	1	180253	469716	ASSY, A16	A16	DSI
50	1	180190	469536	ASSY, 94MHZ, SOURCE, A17	A17	DSI
51	1	180250	469713	ASSY, IEEE INTERFACE, A23	A23	DSI
59	1	179056	469620	ASSY, SERVICE, KIT	K1	DSI
62	1	121062	MP40008-5	BAIL/FEET		BUC
64	11	121064	MS-08	GASKET, RFI		SPI
65	1	126035	500045	ASSY, CABLE, POWER		DSI
68	1	126004	469627	ASSY, HARNESS, COAX, CARD CAGE	C1-H1, H2	DSI
69	1	130257	469751	FAB, HOUSING, CONN, MOUNTING		DSI
70	1	130258	469767	PLATE, CONN, REAR PANEL		DSI
73	1	141313	552633-3	STUD KIT, IEEE, SET		AMP
74	1	141238	552568-1	CONN, MTG KIT, STD STUD		APN
75	1	141314	T170B	TERMINATION, BNC	(IF OUT)	ENM

Assembly : 469750
Stock Number : 179011

ASSY, TOP

REV F10
05/01/86

Item	Qty	Stk Num	Part Number	Description	Reference Desig.	Mfr
76	1	141315	T180M	TERMINATION, SMA	(IF OUT)	ENM
73	1	126036	500046	ASSY, CABLE, I' CON, ONE END BARE		DSI
80	1	126089	469402	ASSY, CABLES		DSI
81	1	128034	469038	DETAIL, SHIELD	A24-A11	DSI
81	1	105051	206-1040	LABEL, EQUIPMENT		DSI
82	1	161072	294-3	PAD, ATTENUATOR, 3 DB, 2 GHZ	AT1	MMW

Assembly : 469753

Stock Number : 126007

ASSY, CABLE, R1250

REV A

05/01/86

Item	Qty	Stk Num	Part Number	Description	Reference Desig.	Mfr
1	1	141198	3564-1001	CONN, 50 PIN		
2	1	141273	609-4053	CONN, 40 PIN		TBA
3	1	125157	171-40	CABLE, RIBBON		TBA

Assembly : 469754
Stock Number : 126008

ASSY, CABLE

REV B
05/01/86

Item	Qty	Stk Num	Part Number	Description	Reference Desig.	Mfr
	1	141198	3564-1001	CONN, 50 PIN		MMM
	1	141281	609-5001M	CONN, RI, RECEP		TBA
	1	125158	171-50	CABLE, RIBBON		TBA

Assembly : 469718
Stock Number : 126006

ASSY, HARNESS, C1-H3

REV F1
05/01/86

Item	Qty	Stk Num	Part Number	Description	Reference Desig.	Mfr
2	2	141197	341-100-500-203	CONN, 100 PIN	A11P6, 23	E
6	1	141196	341-030-500-203	CONN, 30 PIN	A11P7	EDC
12	1	130181	469221	BRKT, CONNECTOR, MTG		DSI
20	10	142016	160-2051-01-01-00	TERMINAL, TURRET		CAM
21	6	125156	1229	BRAID		ALC
22	2	142031	5-174	TERMINAL, STRIP	TB101	CCH
23	2	120260	NAS671C6	NUT, HEX, 6-32		HPR
24	1	142039	7A-.250	LUG, GND, 1/4, ID		ZIE
25	20	142034	683, #4	LUG		ZIE
26	4	142037	75, #4	LUG		ZIE
28	1	170701	MC7805CT	I. C. , 7805, REGULATOR	U1	MOT
29	1	152027	RH5-12	RES, 12 HMS, 5W	R1	DAL
30	1	158020	T368-C476-K020AS	CAP, TANT, 47 UF, 20V	C1	KEM
31	1	179124	469469	ASSY, CARD CAGE, CONN		A

Assembly : 469627
Stock Number : 126004

ASSY, HARNESS, COAX, CARD CAGE

REV C
05/01/86

Item	Qty	Stk Num	Part Number	Description	Reference Desig.	Mfr
1	42	141222	051-311-3196-220	CONN. COAX, SMB, RTA		SEA
2	30	125160	RG178 B/U	CABLE, COAX		ALC
3	1	105067	9621	NUMBERS, RUB-ON, 1/8		DAT