

Advanced Operating Systems: Lab 2 - IPC

Lecturelet 2

Prof. Robert Watson

2022-2023



Lab 2 objectives

- Use, and extend, the skills developed in Lab 1
- Trace user-kernel interactions via syscalls and traps
- Explore the performance implications of virtual-memory optimisation of the pipe IPC primitive
- Use DTrace and hardware performance counters (HWPMC) to analyse these properties

- Overall: Now have learned a bit about the available tools, let's do some root-cause analysis of OS behaviour ...

New documents

- *Advanced Operating System: Hardware Performance Counters (HWPMC)*
 - Introduction to performance counters in this lab
 - You may wish to refer to the ARMv8-A and A72 manuals (or not)
- *3x lab documents:*
 - *Advanced Operating Systems: Lab 2 – IPC – General information*
 - *Advanced Operating Systems: Lab 2 – IPC – Part II assignment*
 - *Advanced Operating Systems: Lab 2 – IPC – L41 assignment*
- **Important:** The Part II and Part III/ACS assignments are different – please do the right one!
- However, L41 students might find the Part II assignment useful to think about potential analysis strategies



Rough framing

- Inter-Process Communication (IPC) is an essential component to using the Process Model
 - Isolated boxes that can't talk to anything aren't very useful
- IPC design considers both semantics and performance:
 - Message passing vs shared memory?
 - Stream vs datagram?
 - Synchronous vs. asynchronous?
 - Portability to other OSES, communication semantics?
- Many years of research into two intertwined questions:
 - What is the best IPC API?
 - How can we make it perform well?
- Once there is a defined API .. OS designers try to find the most efficient implementation
- **Use DTrace and performance counters to explore the performance impact of VM optimisation on pipe IPC**



Pipe VM optimisation

- Pipe API specifies **copy semantics**
 - Once a `write(2)` call returns, changes to memory in the sender do not affect data received in the recipient via `read(2)`
 - Practical implementation – copy two times
 1. From userspace sender buffer to kernel buffer (`copyin(9)`)
 2. From kernel buffer to userspace recipient buffer (`copyout(9)`)
 - But memory copying is known to be expensive with both historic and contemporary microarchitectures
- In 1996, John Dyson implemented VM optimisations for bulk pipe data transfer for FreeBSD
 - Remove sender copy by “borrowing” pages for “large” sends
 - `kern.ipc.pipe_mindirect` sysctl tunes definition of “large”:
Use 2x copies < `pipe_mindirect`, 1x copies >= `pipe_mindirect`
 - Later also adopted in macOS; similar optimisations elsewhere
- Is this a good idea...? Answer this question in your lab.



Hardware performance counters (1/2)

- Seems simple enough:
 - Source code compiles to instructions
 - Instructions are executed by the processor
- But some instructions take longer than others:
 - Register-register operations generally single-cycle (or less)
 - Multiply and divide may depend on the specific numeric values
 - Floating point may take quite a while
 - Loads/stores cost different amounts depending on TLB/cache use
- Instruction count is not a good way to understand computational expense



Hardware performance counters (2/2)

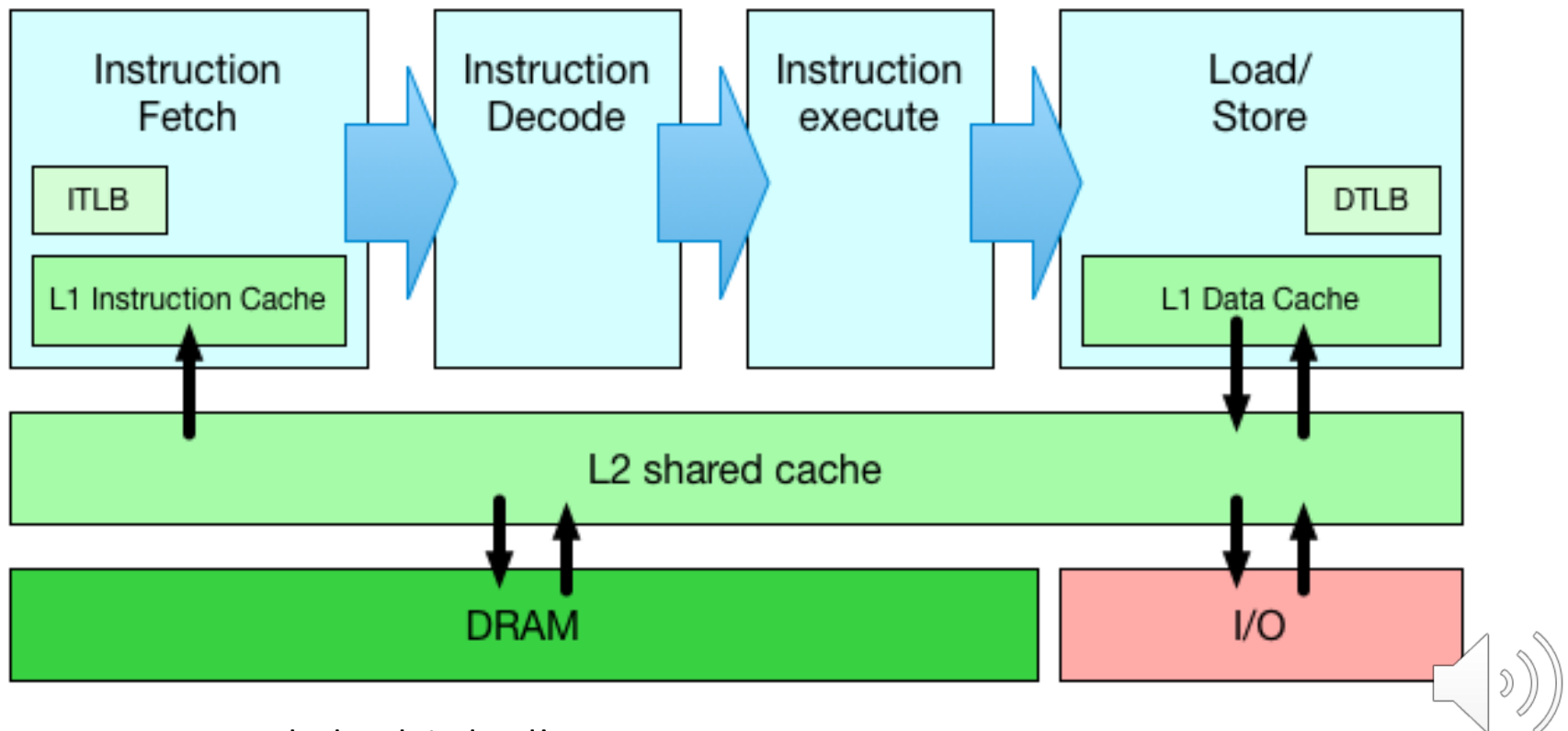
- Optimisation is therefore not just about reducing instruction count
 - Optimisation must take into account micro-architectural effects
 - TLB/cache effects tricky as they vary with memory footprint
 - How can we tell when the cache overflows?
- Hardware performance counters let us directly investigate architectural and micro-architectural events
 - **Architectural events:** #instructions, #loads/stores, #branch returns, etc.
 - **Microarchitectural:** #bus accesses, #cache misses, #DRAM traffic, #missed branches...



Sketch of ARM Cortex A-8 memory hierarchy

(This is not the CPU you are using, just an illustration!)

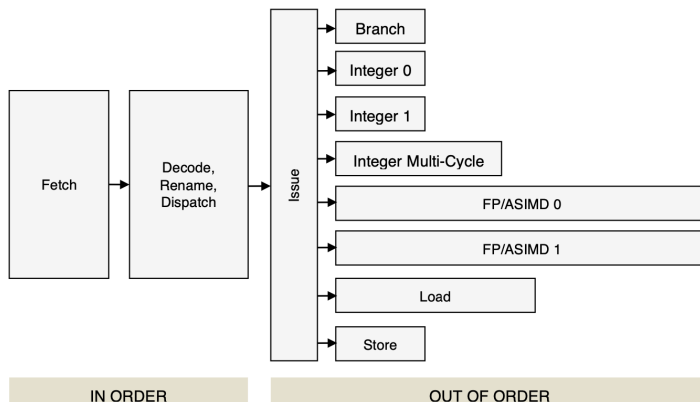
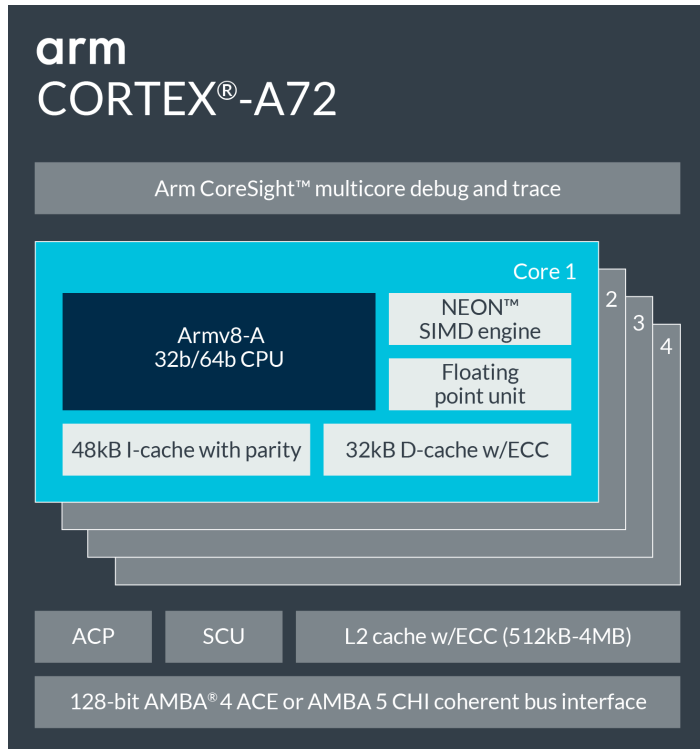
- **Architectural** refers to an ISA-level view of execution
- **Micro-architectural** refers to behaviours below the ISA



This is a very, very rough sketch indeed!

Reminder: High-density Cortex A-72 slide

(Some of this information will be useful only for later labs)



The L1 memory system consists of separate instruction and data caches.

The L1 instruction memory system has the following features:

- 48KB 3-way set-associative instruction cache.
- Fixed line length of 64 bytes.
- Parity protection per 16 bits.
- Instruction cache that behaves as Physically-indexed and physically-tagged (PIPT).
- Least Recently Used (LRU) cache replacement policy.
- MBIST support.

Per-Core:
L1 I-Cache: 48K

The L1 data memory system has the following features:

- 32KB 2-way set-associative data cache.
- Fixed line length of 64 bytes.
- ECC protection per 32 bits.
- Data cache that is PIPT.
- Out-of-order, speculative, non-blocking load requests to Normal memory and non-speculative, non-blocking load requests to Device memory.
- LRU cache replacement policy.
- Hardware prefetcher that generates prefetches targeting both the L1 data cache and the L2 cache.
- MBIST support.

Per-Core:
L1 D-Cache: 32K

The features of the L2 memory system include:

- Configurable L2 cache size of 512KB, 1MB, 2MB and 4MB.
- Fixed line length of 64 bytes.
- Physically indexed and tagged cache.
- 16-way set-associative cache structure.

Shared:
L2 Cache: 1M

The MMU has the following features:

- 48-entry fully-associative L1 instruction TLB.
- 32-entry fully-associative L1 data TLB for data load and store pipeline.
- 4-way set-associative 1024-entry L2 TLB in each processor.
- Intermediate table walk caches.
- The TLB entries contain a global indicator or an Address Space Identifier (ASID) to permit context switches without TLB flushes.
- The TLB entries contain a global indicator or an Address Space Identifier (ASID) to permit context switches without TLB flushes.

Per-Core:
MMU
I-TLB: 48, D-TLB: 32,
L2-TLB: 1024



* Our benchmarks use only the first core to simplify analysis

Using performance counters

- Recall:
 - **Architectural counters:** What software asks the hardware to do
 - **Microarchitectural counters:** How the hardware implements it
- Optimising software using performance counters is subtle
 - Often counter use leads to important micro-optimisations (e.g., “Cache lines are thrashing → lay out memory better”)
 - But must consider whether algorithmic optimisation is preferable to microarchitecture-centric tuning
- A few considerations:
 - It may be preferable to ask the hardware to do less work, “inefficiently”, than to do more work, “efficiently”
 - It is hard to know whether a change is important (e.g., doubling TLB misses might be critical .. Or irrelevant .. Context is required)
 - Microarchitecturally-aware optimisations may tune well for one specific microarchitecture, yet perform badly on another
- **Microarchitecturally motivated optimisations must be carefully evaluated, ideally across >1 microarchitectures**



The benchmark

```
root@rpi4-000:/data # ipc/ipc-benchmark
```

```
ipc-benchmark [-Bgjqsv] [-b buffersize] [-i pipe|local|tcp] [-n iterations]  
  [-p tcp_port] [-P arch|dcache|instr|tlbmem] [-t totalsize] mode
```

Modes (pick one - default 1thread):

```
1thread      IPC within a single thread  
2thread     IPC between two threads in one process  
2proc        IPC between two threads in two different processes  
describe     Describe the hardware, OS, and benchmark configurations
```

Optional flags:

```
-B           Run in bare mode: no preparatory activities  
-g           Enable getrusage(2) collection  
-i pipe|local|tcp Select pipe, local sockets, or TCP (default: pipe)  
-j           Output as JSON  
-p tcp_port  Set TCP port number (default: 10141)  
-P arch|dcache|instr|tlbmem Enable hardware performance counters  
-q           Just run the benchmark, don't print stuff out  
-s           Set send/receive socket-buffer sizes to buffersize  
-v           Provide a verbose benchmark description  
-b buffersize Specify the buffer size (default: 131072)  
-n iterations Specify the number of times to run (default: 1)  
-t totalsize Specify the total I/O size (default: 16777216)
```

- Simple, bespoke IPC benchmark: pipes and sockets
- Adjust user and kernel buffer sizes



The benchmark (2)

- Use only one of its operational modes:

2thread IPC between two threads

- Adjust IPC parameters:

`-b buffersize` Set user IPC buffer size
`-i pipe` Use pipe() IPC
`-P mode` Configure HWPMC

- Output flags:

`-g` Display getrusage(1) statistics
`-j` Output as JSON
`-v` Verbose output (more configuration detail)



Performance counter modes

- We have adapted the benchmark to use libpmc
- We use only counting mode, not sampling mode
- The A-72 supports up to six counters enabled at a time
 - We always enable instruction and cycle counting
 - The other 4 are used for specific groups of counters

<i>-P mode</i>	Category
arch	Architectural (ISA-level) statistics (some speculative*)
dcache	L1-D and L2 cache statistics
instr	L1-I and branch-prediction statistics
tlbmem	D-TLB / I-TLB and memory access/bus access statistics

- You will need to run the benchmark for each counter set
 - ... But it is reasonable to limit to one iteration each
- The probe effect affects hardware counters, too!

*Non-speculative counters can be quite expensive in the microarchitecture for superscalar processors, so Arm has chosen not to provide architectural counters



```
root@rpi4-046:/data # ipc/ipc-benchmark -g -i pipe -j -P arch -v 2thread
```

```
{ "hardware_configuration": {  
  "hw.machine": "arm64",  
  "hw.model": "ARM Cortex-A72 r0p3",  
  "hw.ncpu": 4,  
  "hw.physmem": 8419033088,  
  "hw.pagesizes": [{"pagesize": 4096},  
    {"pagesize": 2097152}, {"pagesize": 1073741824}],  
  "hw.cpubfreq.arm_freq": 600000000  
}, "os_configuration": {  
  "kern.ostype": "FreeBSD",  
  "kern.osrelease": "13.0-STABLE",  
  "kern.ident": "ADVOPSYS",  
  "kern.hostname": "rpi4-046"  
}, "network_ipc_configuration": {  
  "kern.ipc.pipe_mindirect": 8192,  
  "kern.ipc.maxsockbuf": 33554432,  
  "ifnet.name": "lo0",  
  "ifnet.mtu": 16384,  
  "net.inet.tcp.cc.algorithm": "newreno",  
  "net.isr.bindthreads": 1,  
  "net.isr.defaultqlimit": 256  
},
```

Hardware configuration

OS configuration

Network/IPC configuration



```
"benchmark_configuration": {  
  "buffer_size": 131072,  
  "total_size": 16777216,  
  "msgcount": 128,  
  "mode": "2thread",  
  "ipctype": "pipe",  
  "pmctype": "arch",  
  "iterations": 1  
},
```



Benchmark configuration



```

"benchmark_samples": [
  {
    "bandwidth": 609733.59,
    "time": "0.026870752",
    "stime": "0.023513",
    "utime": "0.000165",
    "msgsnd": 128,
    "msgrcv": 256,
    "nvcsw": 523,
    "nivcsw": 0,
    "INST_RETIRED": 7807526,
    "CPU_CYCLES": 10659620,
    "LD_SPEC": 2776279,
    "ST_SPEC": 1675676,
    "EXC_RETURN": 458,
    "BR_RETURN_SPEC": 135871,
    "CYCLES_PER_INSTRUCTION": 1.365301
  }
]

```

Performance / wallclock time
 Sampled execution time in userlevel/kernel
 Getrusage(2) statistics
 Hardware performance counters
 (and derived metrics)

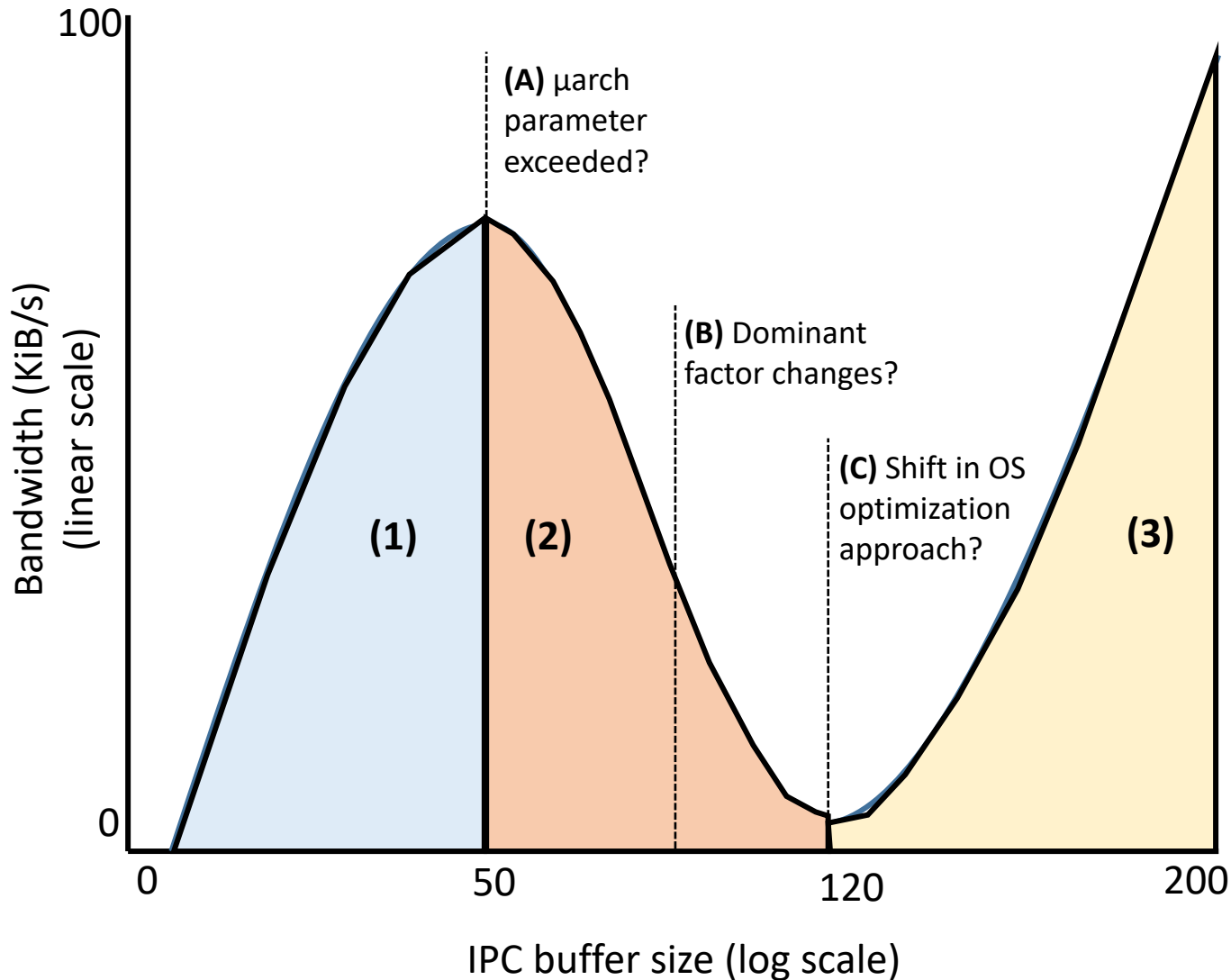


Plotting, exploring, and explaining graphs (1/2)

- **Graphs are an essential part of your lab submissions**
- Graphs make patterns in data accessible visually
 - They represent **hypotheses** in data exploration
 - They make **arguments** in data presentation and explanation
- When explaining graphs, focus on trends, inflection points, and surprising artifacts
 - Partition graph into regions of similar behaviour
 - Label and annotate inflection points
 - Explain why different partitions behave the way they do
- Quality of presentation is really important
 - Ensure that they are clearly labeled – axes, legend, etc.
 - Think carefully about what axes and scales to use
 - Visual comparison is key – present data on the same plot, or in stacked plots, if you want to invite comparison
 - E.g., ensure that the reader can **see** the relationship in your plots



Plotting, exploring, and explaining graphs (2/2)



Why does (1) rise in the way that it does?

What happens at (A)?

Why does (2) sink in the way that it does?

What happens at (B)?

Why does (3) rise in the way that it does?

What happens at (C)?



A few concluding thoughts

- You are now (fairly) familiar with:
 - DTrace as an instrumentation tool
 - JupyterLab as a data collection, analysis, presentation tool
- You will now pick up new skills:
 - Further DTrace experience – e.g., system-call provider, profile provider, perhaps scheduling provider, etc.
 - Performance counter experience (can be hard to interpret...)
- When gathering and analysing data:
 - Start with short runs (even $-n\ 1$) to allow quick iteration
 - Plot data to understand its behaviour
 - Pay attention to inflection points, regions of commonality
 - Mark up graphs with key hardware, software thresholds
 - Remember that the cache/TLB footprint of a workload will (almost certainly) not be the benchmark buffer size
- We are now doing comparative analysis...



How to contact us

- Attend the lab!
- Course slack outside of lab hours, or if unable to join
 - advopsys.slack.com
- Also possible: Email to the lecturer
 - robert.watson@cl.cam.ac.uk

