

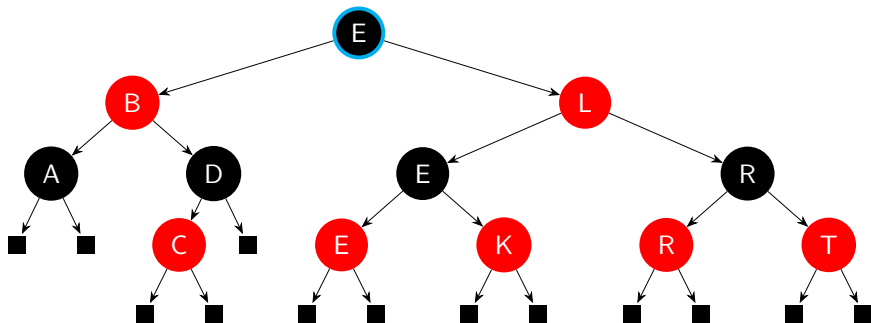
Red-Black Tree Example

James Clarke

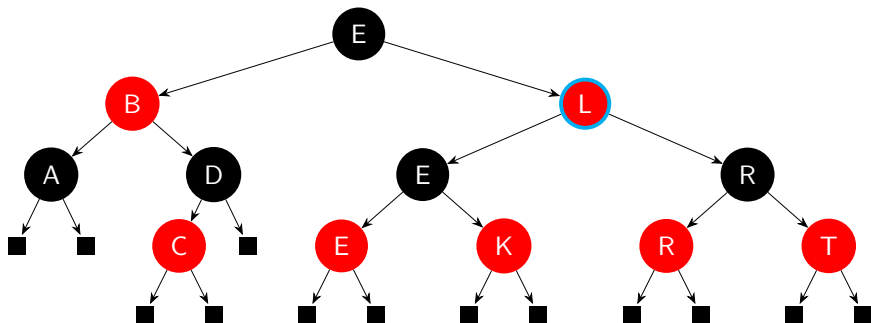
University of Cambridge

February 7, 2015

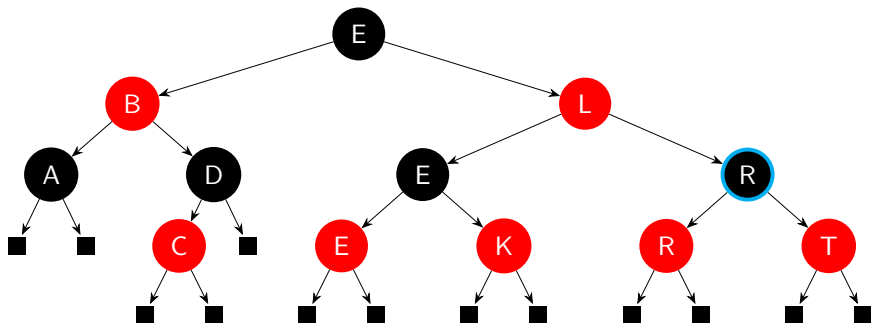
Removing 'R'



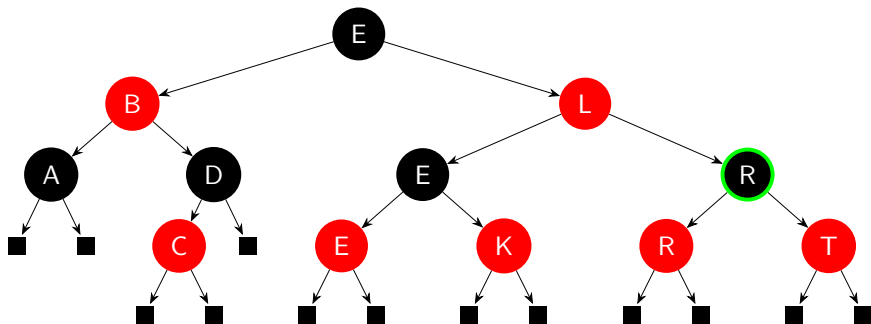
Removing 'R'



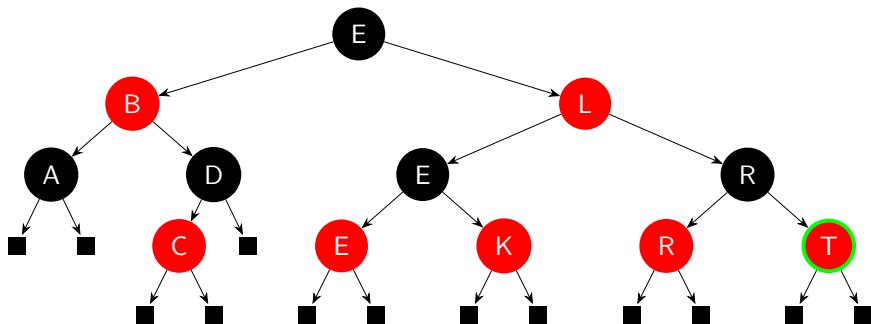
Removing 'R'



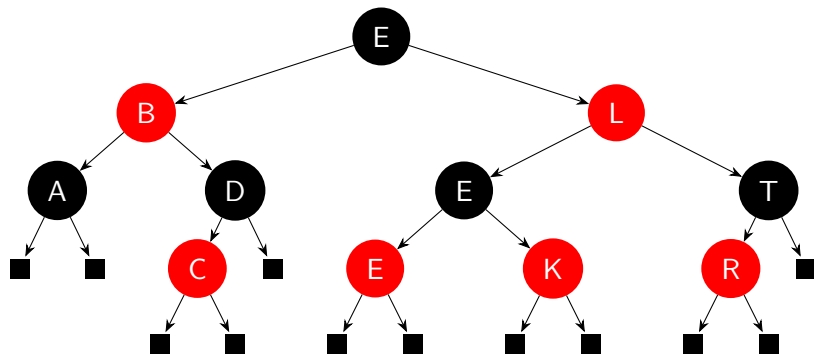
Removing 'R'



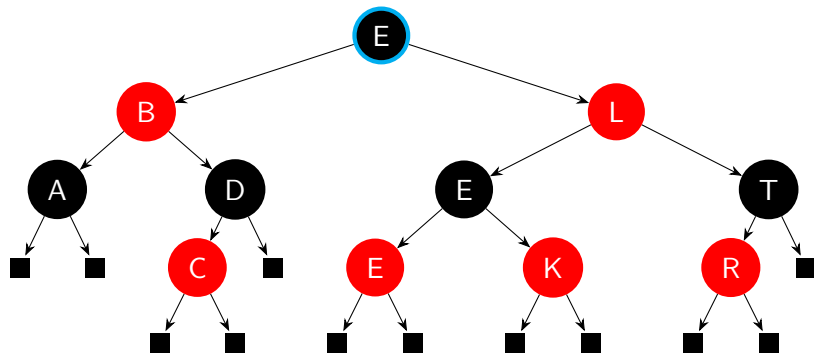
Removing 'R'



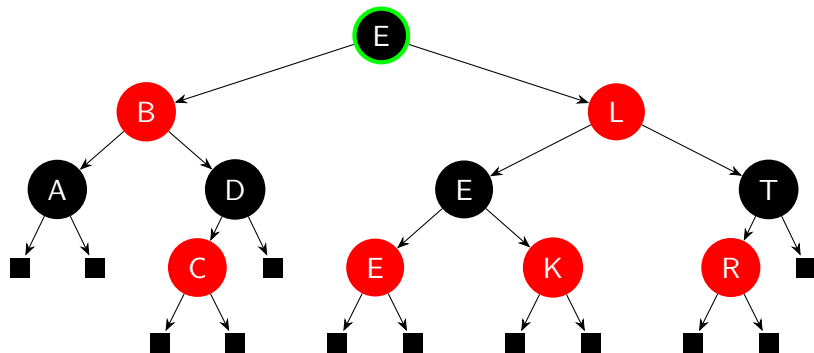
Removing 'R'



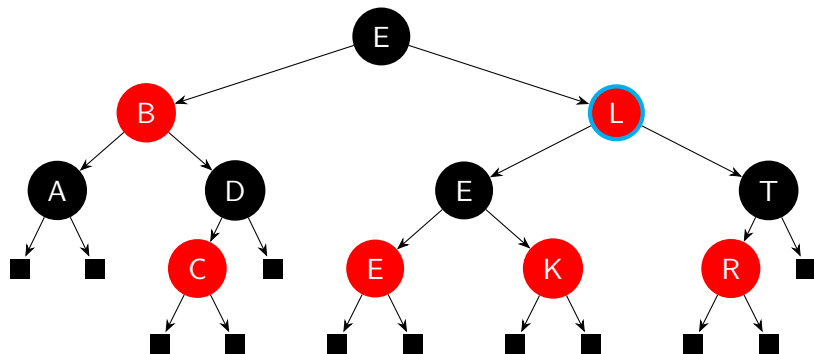
Removing 'E'



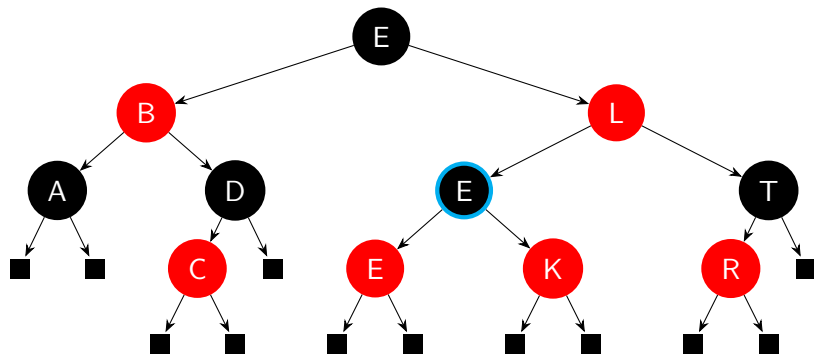
Removing 'E'



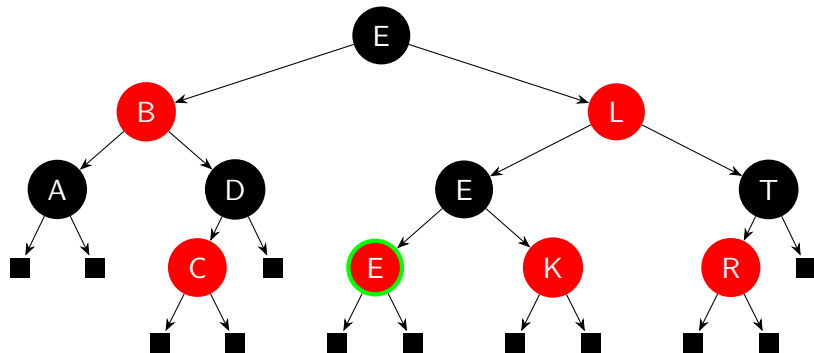
Removing 'E'



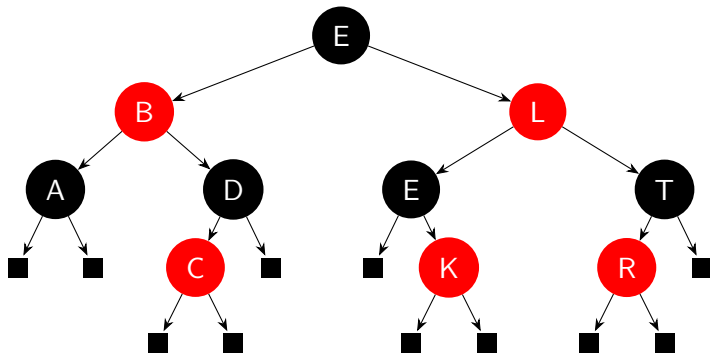
Removing 'E'



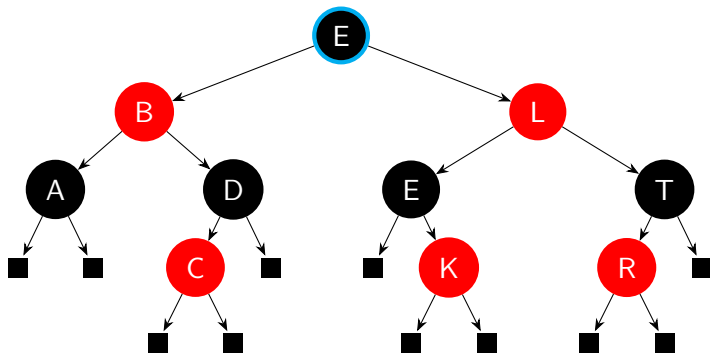
Removing 'E'



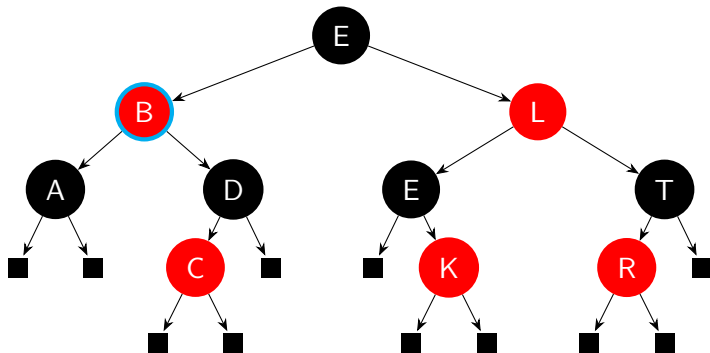
Removing 'E'



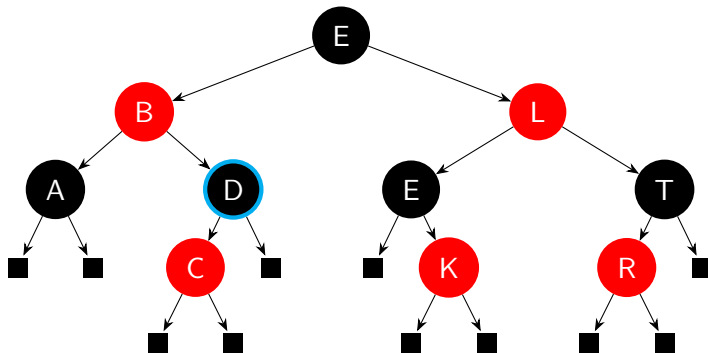
Removing 'D'



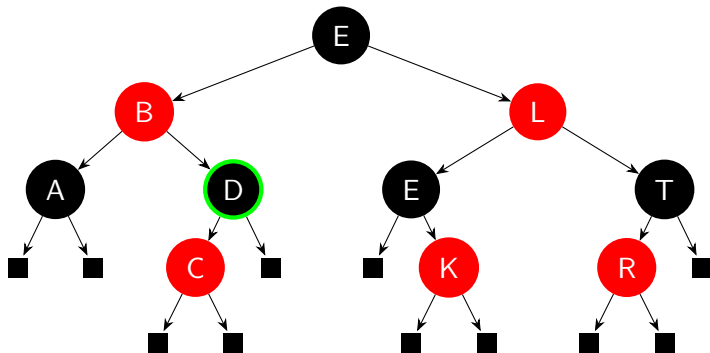
Removing 'D'



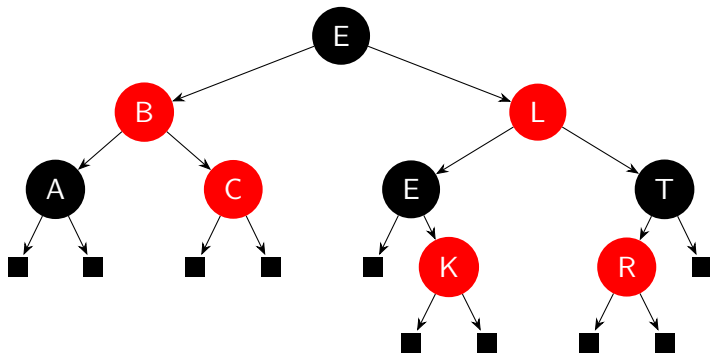
Removing 'D'



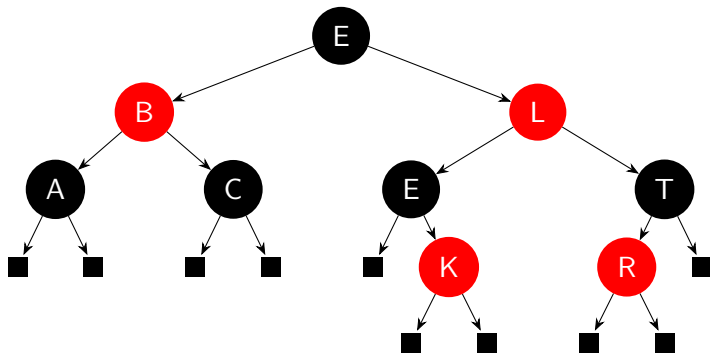
Removing 'D'



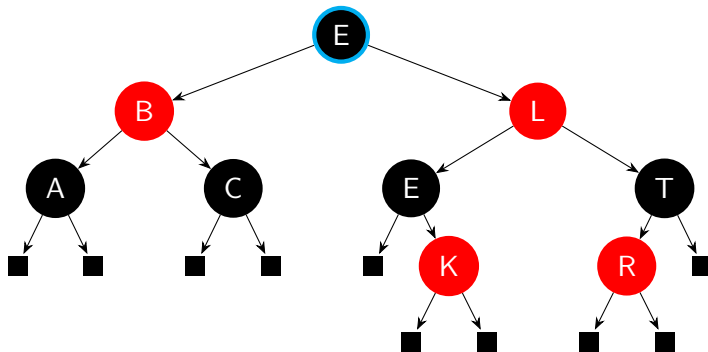
Removing 'D'



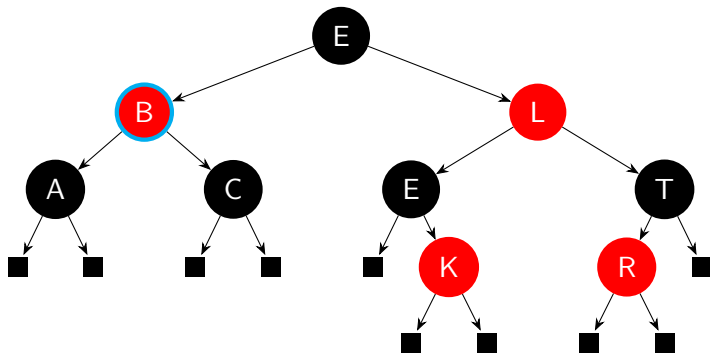
Removing 'D'



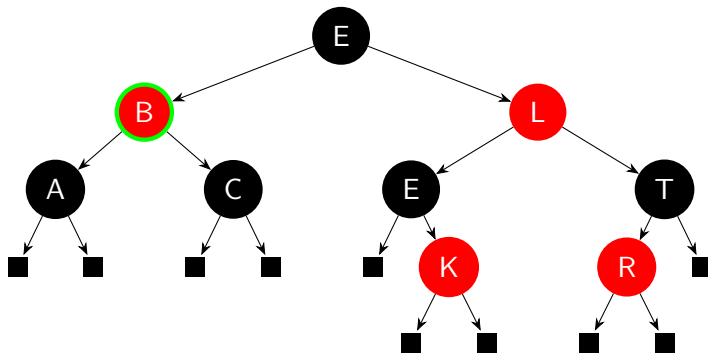
Removing 'B'



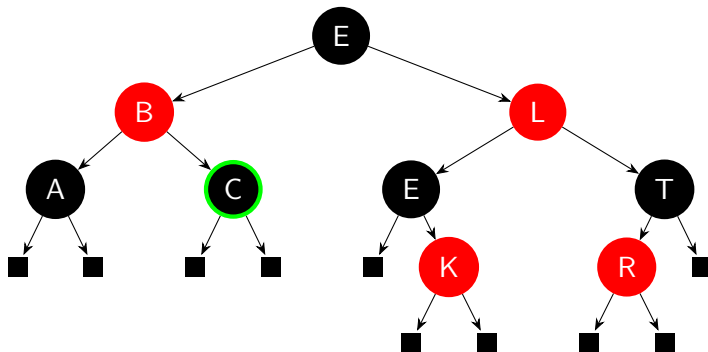
Removing 'B'



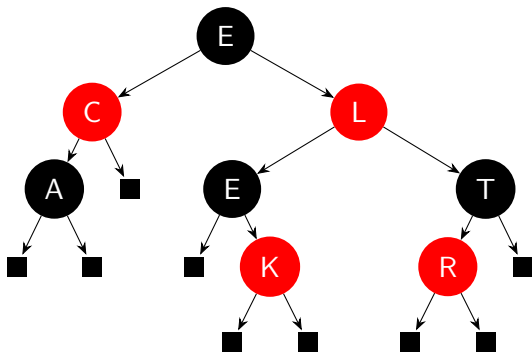
Removing 'B'



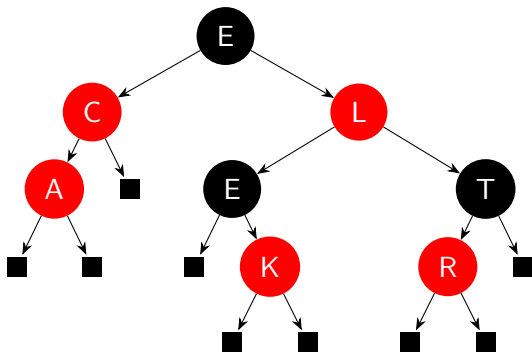
Removing 'B'



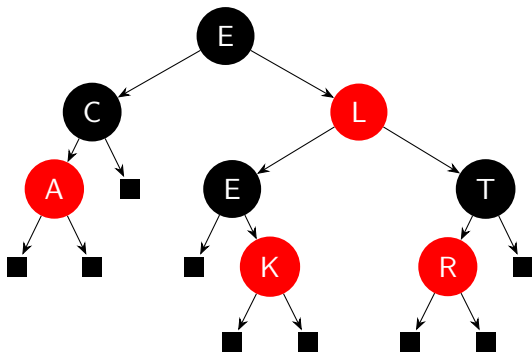
Removing 'B'



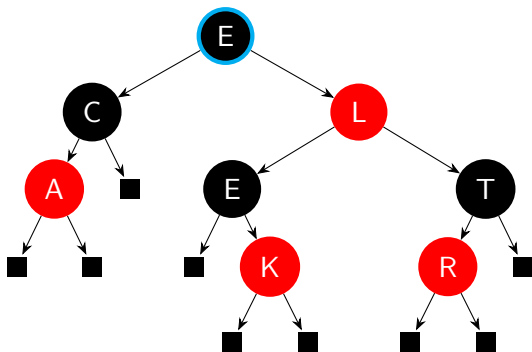
Removing 'B'



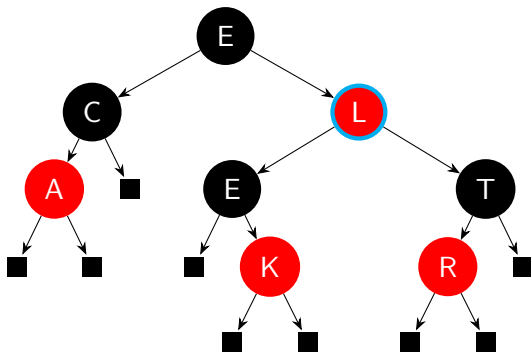
Removing 'B'



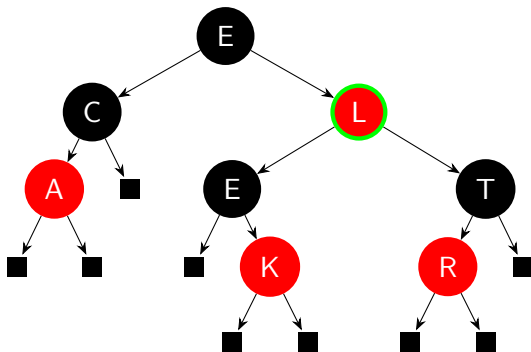
Removing 'L'



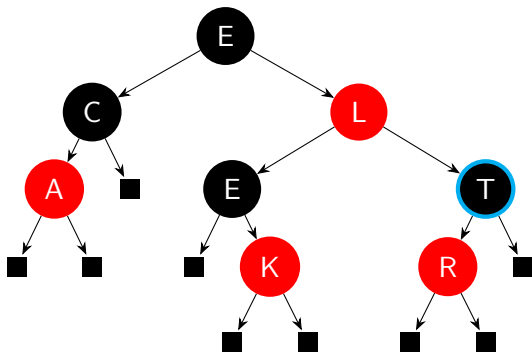
Removing 'L'



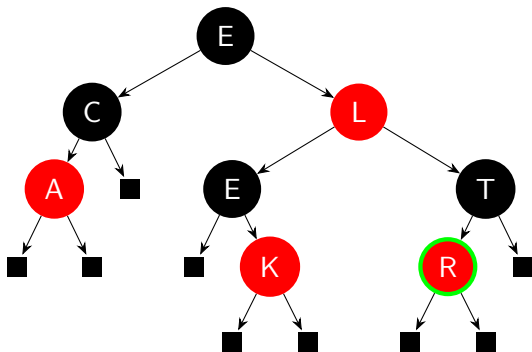
Removing 'L'



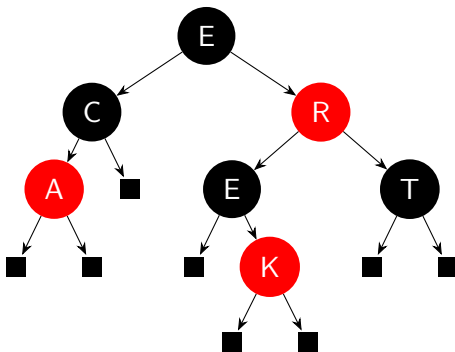
Removing 'L'



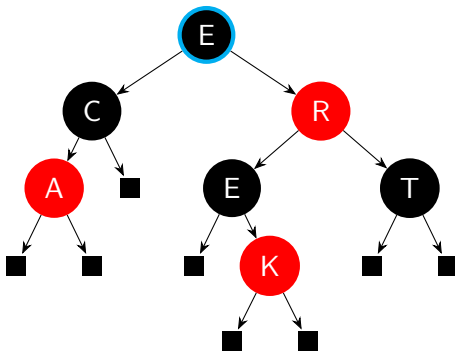
Removing 'L'



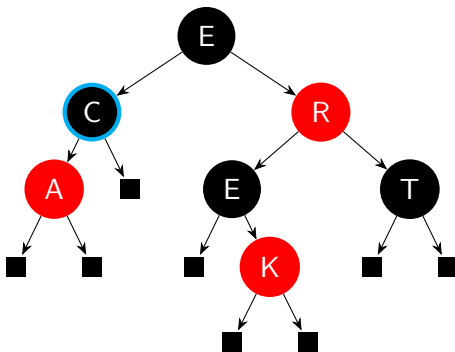
Removing 'L'



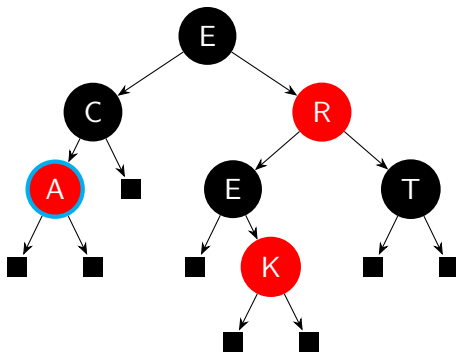
Removing 'A'



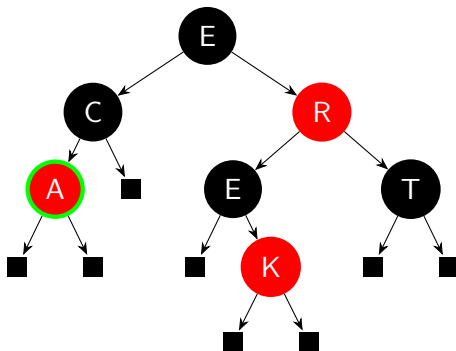
Removing 'A'



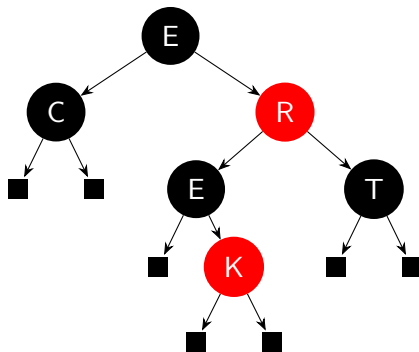
Removing 'A'



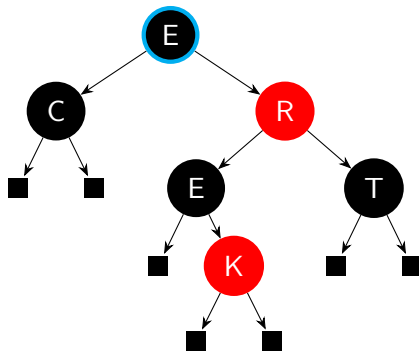
Removing 'A'



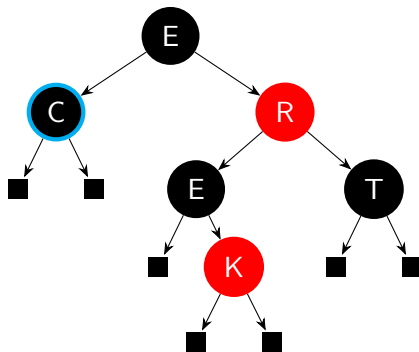
Removing 'A'



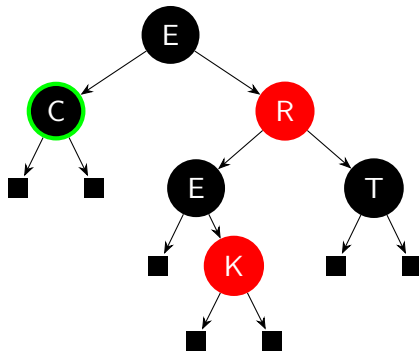
Removing 'C'



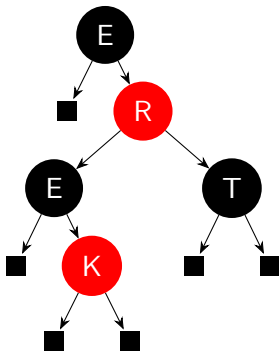
Removing 'C'



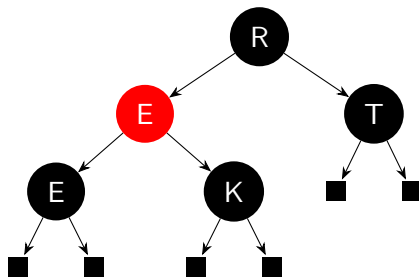
Removing 'C'



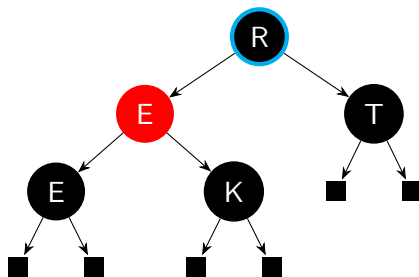
Removing 'C'



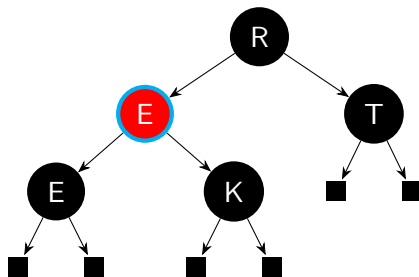
Removing 'C'



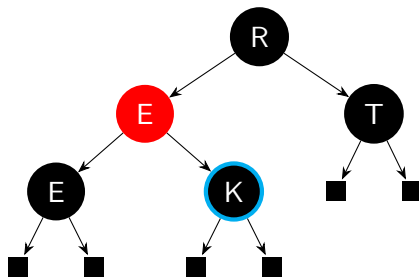
Removing 'K'



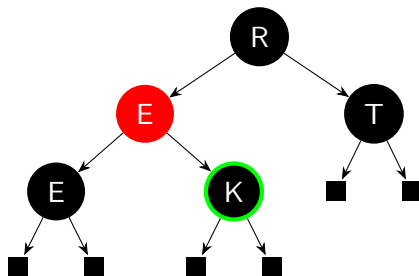
Removing 'K'



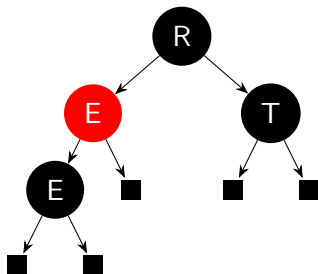
Removing 'K'



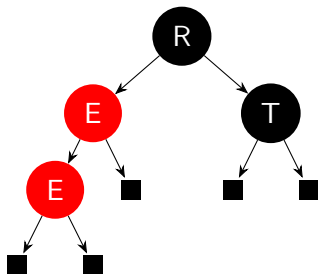
Removing 'K'



Removing 'K'



Removing 'K'



Removing 'K'

