

# **Zynq-7000**

# **All Programmable SoC**

## ***Technical Reference Manual***

UG585 (v1.8.1) September 19, 2014



### Notice of Disclaimer

The information disclosed to you hereunder (the "Materials") is provided solely for the selection and use of Xilinx products. To the maximum extent permitted by applicable law: (1) Materials are made available "AS IS" and with all faults, Xilinx hereby DISCLAIMS ALL WARRANTIES AND CONDITIONS, EXPRESS, IMPLIED, OR STATUTORY, INCLUDING BUT NOT LIMITED TO WARRANTIES OF MERCHANTABILITY, NON-INFRINGEMENT, OR FITNESS FOR ANY PARTICULAR PURPOSE; and (2) Xilinx shall not be liable (whether in contract or tort, including negligence, or under any other theory of liability) for any loss or damage of any kind or nature related to, arising under, or in connection with, the Materials (including your use of the Materials), including for any direct, indirect, special, incidental, or consequential loss or damage (including loss of data, profits, goodwill, or any type of loss or damage suffered as a result of any action brought by a third party) even if such damage or loss was reasonably foreseeable or Xilinx had been advised of the possibility of the same. Xilinx assumes no obligation to correct any errors contained in the Materials or to notify you of updates to the Materials or to product specifications. You may not reproduce, modify, distribute, or publicly display the Materials without prior written consent. Certain products are subject to the terms and conditions of Xilinx's limited warranty, please refer to Xilinx's Terms of Sale which can be viewed at <http://www.xilinx.com/legal.htm#tos>; IP cores may be subject to warranty and support terms contained in a license issued to you by Xilinx. Xilinx products are not designed or intended to be fail-safe or for use in any application requiring fail-safe performance; you assume sole risk and liability for use of Xilinx products in such critical applications, please refer to Xilinx's Terms of Sale which can be viewed at <http://www.xilinx.com/legal.htm#tos>.

© Copyright 2012–2014 Xilinx, Inc. Xilinx, the Xilinx logo, Artix, ISE, Kintex, Spartan, Virtex, Vivado, Zynq, and other designated brands included herein are trademarks of Xilinx in the United States and other countries. All other trademarks are the property of their respective owners.

---

## Revision History

The following table shows the revision history for this document. Change bars indicate the latest revisions.

Date	Version	Revision
04/08/2012	1.0	Xilinx initial release.
06/25/2012	1.1	Removed Chapter 30, Board Design (now part of UG933, <i>Zynq-7000 All Programmable SoC PCB Design and Pin Planning Guide</i> ).
08/08/2012	1.2	Added information about the 7z010 CLG225 device and references to section <a href="#">2.5.4 MIO-at-a-Glance Table</a> throughout document. Added section headings <a href="#">1.1.1 Block Diagram</a> and <a href="#">1.1.2 Documentation Resources</a> , added sections <a href="#">1.1.3 Notices</a> and <a href="#">TrustZone Capabilities</a> , and clarified <a href="#">PS MIO I/Os</a> in <a href="#">Chapter 1</a> . Updated <a href="#">Table 2-1</a> . Changed <a href="#">2.4.2 MIO-EMIO Connections</a> heading to <a href="#">2.5.2 IOP Interface Connections</a> and clarified first paragraph. Updated <a href="#">Table 2-4</a> . Added section <a href="#">2.7.1 Clocks and Resets</a> and <a href="#">Table 2-7</a> , and updated <a href="#">Table 2-13 PS MIO I/Os</a> in <a href="#">Chapter 2</a> . Added note under <a href="#">Branch Prediction</a> and <a href="#">Table 3-8</a> in <a href="#">Chapter 3</a> . Updated <a href="#">Table 4-1</a> in <a href="#">Chapter 4</a> . Added section <a href="#">5.1.7 Read/Write Request Capability</a> in <a href="#">Chapter 5</a> . Updated <a href="#">NAND Boot MIO pin assignments</a> and <a href="#">Table 6-6</a> in <a href="#">Chapter 6</a> . Updated section <a href="#">7.1.5 CPU Interrupt Signal Pass-through</a> in <a href="#">Chapter 7</a> . Added section heading <a href="#">10.1.1 Features</a> and added section <a href="#">10.1.3 Notices</a> in <a href="#">Chapter 10</a> . Updated <a href="#">Parallel (SRAM/NOR) Interface</a> features list and added section <a href="#">11.1.3 Notices</a> in <a href="#">Chapter 11</a> . Reorganized, clarified, and expanded <a href="#">Chapter 12</a> to include programming models (added sections <a href="#">12.1.4 Notices</a> , <a href="#">12.3 Programming Guide</a> , and <a href="#">12.5.2 MIO Programming</a> ). Added last note in section <a href="#">13.3.4 Using ADMA</a> in <a href="#">Chapter 13</a> . Added <a href="#">Restrictions</a> in <a href="#">Chapter 14</a> . Clarified first paragraph, added section <a href="#">15.1.3 Notices</a> , and clarified <a href="#">Figure 15-7</a> through <a href="#">Figure 15-17</a> in <a href="#">Chapter 15</a> . Added section <a href="#">16.1.4 Notices</a> in <a href="#">Chapter 16</a> . Clarified sections <a href="#">17.2.5 SPI FIFOs</a> , <a href="#">17.2.6 SPI Clocks</a> , and <a href="#">17.2.7 SPI EMIO Considerations</a> in <a href="#">Chapter 17</a> . Reorganized, clarified, and expanded <a href="#">Chapter 18</a> to include programming models (added sections <a href="#">18.1.4 Notices</a> and <a href="#">18.5.1 MIO Programming</a> ).

Date	Version	Revision
08/08/2012	1.2 (Cont'd)	Reorganized, clarified, and expanded <a href="#">Chapter 19</a> to include programming models (added sections <a href="#">19.1.3 Notices</a> , <a href="#">19.3 Programming Guide</a> , and <a href="#">19.5.1 MIO Programming</a> ). Updated <a href="#">Table 22-2</a> and <a href="#">Table 22-3</a> in <a href="#">Chapter 22</a> . Added section <a href="#">CPU Clock Divisor Restriction</a> in <a href="#">Chapter 25</a> . Updated <a href="#">Table 26-4</a> in <a href="#">Chapter 26</a> . Clarified section <a href="#">27.3 I/O Signals</a> in <a href="#">Chapter 27</a> . Added section <a href="#">28.1.2 Notices</a> in <a href="#">Chapter 28</a> . Clarified <a href="#">Mapping Summary</a> and updated <a href="#">Table 29-1</a> , <a href="#">Table 29-3</a> , and <a href="#">Table 29-5</a> in <a href="#">Chapter 29</a> . Added section <a href="#">30.1.3 Notices</a> in <a href="#">Chapter 30</a> . Updated data sheet references in section <a href="#">A.3.1 Zynq-7000 AP SoC Documents</a> of <a href="#">Appendix A</a> . Updated register database in sections <a href="#">B.3 Module Summary</a> through <a href="#">B.34 USB Controller (usb)</a> in <a href="#">Appendix B</a> .
10/30/2012	1.3	Changed product name from Extensible Processing Platform (EPP) to All Programmable SoC (AP SoC) throughout document. Added <a href="#">Table 1-1</a> . Added <a href="#">2.1.1 Notices</a> , <a href="#">2.4 PS-PL Voltage Level Shifter Enables</a> , A summary of the dedicated PS signal pins is shown in <a href="#">Table 2-2</a> , <a href="#">VREF Source Considerations</a> , updated <a href="#">Table 2-2</a> , and added warning to <a href="#">2.5.7 MIO Pin Electrical Parameters</a> . Added <a href="#">Initialization of L1 Caches</a> , <a href="#">3.2.4 Memory Ordering</a> , expanded <a href="#">3.2.5 Memory Management Unit (MMU)</a> , added <a href="#">Cache Lockdown by Way Sequence</a> and <a href="#">3.9 CPU Initialization Sequence</a> . Added <a href="#">Zynq-7000 AP SoC 7z010 CLG225 Device Notice</a> and expanded <a href="#">Table 4-7</a> . Updated and expanded tables in <a href="#">6.3.4 Quad-SPI Boot</a> through <a href="#">6.3.12 Post BootROM State</a> , reworked <a href="#">6.3.6 Debug Status</a> , and added <a href="#">6.3.12 Post BootROM State</a> and <a href="#">AXI and DMA Done Status Interrupts</a> . Reworked <a href="#">Table 7-3</a> . Added <a href="#">8.1.2 Notices</a> , <a href="#">Interrupt to PS Interrupt Controller</a> , and <a href="#">Reset</a> . Reorganized and expanded <a href="#">Chapter 9</a> , <a href="#">DMA Controller</a> . Added <a href="#">10.1.3 Notices</a> , expanded <a href="#">10.1.6 I/O Signals</a> , added <a href="#">10.6.11 DRAM Write Latency Restriction</a> , <a href="#">10.8.1 ECC Initialization</a> , <a href="#">10.8.4 ECC Programming Model</a> , and <a href="#">10.9.1 Operating Modes</a> . Added <a href="#">12.2.4 I/O Mode Considerations</a> and updated <a href="#">12.3.5 Rx/Tx FIFO Response to I/O Command Sequences</a> . Reworked <a href="#">16.3.3 I/O Configuration</a> , added <a href="#">16.4 IEEE 1588 Time Stamping</a> and <a href="#">16.6.7 MIO Pin Considerations</a> . Added <a href="#">18.2.7 CAN0-to-CAN1 Connection</a> . Expanded <a href="#">19.1 Introduction</a> , <a href="#">19.1.3 Notices</a> , and <a href="#">Table 19-1</a> . Added <a href="#">Receiver Timeout Mechanism</a> , updated <a href="#">Figure 19-7</a> . Added <a href="#">19.2.9 UART0-to-UART1 Connection</a> and <a href="#">19.2.10 Status and Interrupts</a> , expanded <a href="#">19.2.11 Modem Control</a> , reworked <a href="#">19.3 Programming Guide</a> and <a href="#">19.4.2 Resets</a> . Added <a href="#">20.2.7 I2C0-to-I2C1 Connection</a> . Added <a href="#">21.1.2 PL Resources by Device Type, Voltage Level Shifters</a> and reorganized content of <a href="#">Chapter 21</a> , <a href="#">Programmable Logic Description</a> . Added <a href="#">25.7.1 Clock Throttle</a> . Expanded <a href="#">26.4.1 PL General Purpose User Resets</a> . Updated register database in sections <a href="#">B.3 Module Summary</a> through <a href="#">B.34 USB Controller (usb)</a> in <a href="#">Appendix B</a> .
11/16/2012	1.4	Changed second bullet under <a href="#">NAND Flash Interface</a> from "Up to a 4 GB device" to "Up to a 1 GB device" in <a href="#">Chapter 11</a> , <a href="#">Static Memory Controller</a> .

Date	Version	Revision
03/07/2013	1.5	<p>Added 7z100 device and made minor clarifications to <a href="#">Chapter 1, Introduction</a>. Made minor clarifications to <a href="#">Chapter 2, Signals, Interfaces, and Pins</a>, <a href="#">Chapter 3, Application Processing Unit</a>, <a href="#">Chapter 4, System Addresses</a>, and <a href="#">Chapter 5, Interconnect</a>. Clarified section <a href="#">6.1 Introduction</a> and other sections, and added <a href="#">PS Independent JTAG Non-Secure Boot</a> section in <a href="#">Chapter 6, Boot and Configuration</a>. Made minor clarifications to <a href="#">Chapter 7, Interrupts</a>, <a href="#">Chapter 8, Timers</a>, <a href="#">Chapter 9, DMA Controller</a>, <a href="#">Chapter 10, DDR Memory Controller</a>, <a href="#">Chapter 11, Static Memory Controller</a>, and <a href="#">Chapter 12, Quad-SPI Flash Controller</a>. Expanded <a href="#">12.2 Functional Description</a> in <a href="#">Chapter 12, Quad-SPI Flash Controller</a>. Made minor clarifications to <a href="#">Chapter 13, SD/SDIO Controller</a>. Made major clarifications/updates to <a href="#">Chapter 14, General Purpose I/O (GPIO)</a>. Reworked and expanded <a href="#">Chapter 15, USB Host, Device, and OTG Controller</a>. Made minor clarifications to <a href="#">Chapter 16, Gigabit Ethernet Controller</a>. Reworked and expanded <a href="#">Chapter 17, SPI Controller</a>. Made minor clarifications to <a href="#">Chapter 18, CAN Controller</a>, and <a href="#">Chapter 19, UART Controller</a>. Made major clarifications/updates to <a href="#">Chapter 20, I2C Controller</a> (added new sections, <a href="#">20.3 Programmer's Guide</a>, <a href="#">20.4 System Functions</a>, and <a href="#">20.5 I/O Interface</a>). Made minor clarifications to <a href="#">Chapter 21, Programmable Logic Description</a> and added new sections <a href="#">21.1.2 PL Resources by Device Type</a> and <a href="#">21.1.3 Notices</a>. Made minor clarifications to <a href="#">Chapter 22, Programmable Logic Design Guide</a> and <a href="#">Chapter 23, Programmable Logic Test and Debug</a>. Reworked and expanded <a href="#">Chapter 24, Power Management</a>. Made minor clarifications to <a href="#">Chapter 25, Clocks</a>, <a href="#">Chapter 26, Reset System</a>, <a href="#">Chapter 27, JTAG and DAP Subsystem</a>, <a href="#">Chapter 28, System Test and Debug</a>, and <a href="#">Chapter 29, On-Chip Memory (OCM)</a>. Reworked and expanded <a href="#">Chapter 30, XADC Interface</a>. Made minor clarifications to <a href="#">Chapter 31, PCI Express</a>. Reworked and expanded <a href="#">Chapter 32, Device Secure Boot</a>. Updated <a href="#">Appendix A, Additional Resources</a>. Updated register database in sections <a href="#">B.3 Module Summary</a> through <a href="#">B.34 USB Controller (usb)</a> in <a href="#">Appendix B</a>.</p>
06/28/2013	1.6	<p>Added icons where applicable. Enhanced first sentence under <a href="#">Quad-SPI Controller</a> in <a href="#">c</a>. Clarified first paragraph, added step 2, and clarified step 5 in section <a href="#">2.4 PS-PL Voltage Level Shifter Enables</a>. Changed "drive strength" to "slew rate" in section <a href="#">2.5.7 MIO Pin Electrical Parameters</a>. Added second sentence and updated <a href="#">Table 2-11</a> in section <a href="#">2.7.4 Idle AXI, DDR Urgent/Arb, SRAM Interrupt Signals</a>. Corrected Note 4 in <a href="#">Table 4-1</a> and <a href="#">Table 4-2</a>. Made minor clarifications and added new <a href="#">RSA Authentication Time</a> section to <a href="#">Chapter 6, Boot and Configuration</a>. Made minor clarifications to sections <a href="#">7.2.2 CPU Private Peripheral Interrupts (PPI)</a> and <a href="#">7.2.3 Shared Peripheral Interrupts (SPI)</a>, and updated <a href="#">Table 7-3</a> and <a href="#">Table 7-4</a>. Clarified first row in <a href="#">Table 9-12</a>. Added tip to section <a href="#">10.4.3 Aging Counter</a>, added sentence to <a href="#">Write Leveling</a>, and step 2 in section <a href="#">10.9.2 Changing Clock Frequencies</a>, and moved section <a href="#">10.9.6 DDR Power Reduction</a> from <a href="#">Chapter 24, Power Management</a> to this chapter. Added tip to section <a href="#">11.2.2 Clocks</a>. Added <a href="#">Table 12-8</a>. Added MMC3.31 standard information to section <a href="#">13.1 Introduction</a>. Added step 6 to section <a href="#">14.3.1 Start-up Sequence</a>, added section <a href="#">14.3.5 GPIO as Wake-up Event</a>, added second paragraph to <a href="#">14.4.1 Clocks</a>. Added section <a href="#">16.7 Known Issues</a>. Added note to <a href="#">17.4.2 Clocks</a>. Changed value of 107 Mb to 140 Mb in second sentence under section <a href="#">21.4 Configuration</a>. Added values for the 7z100 device in <a href="#">Table 21-2</a>. Clarified first paragraph in section <a href="#">24.2.2 PL Power-down Control</a> and updated <a href="#">Table 24-2</a>. Added note to section <a href="#">25.6.1 USB Clocks</a>, clarified second paragraph in section <a href="#">25.10.4 PLLs</a>, and added sentence to steps 2 and 3 in <a href="#">Software-Controlled PLL Update</a> section. Changed "RESET_REASON" to "REBOOT_STATUS" in section <a href="#">26.2.3 System Software Reset</a>, added section <a href="#">26.4.2 AXI/DMA Interface Resets</a>, deleted first two rows from <a href="#">Table 26-2</a> and modified last paragraph in section <a href="#">26.5.1 Reset Subsystem Control and Status</a>. Clarified section <a href="#">29.1 Introduction</a>, added three paragraphs to <a href="#">Starvation Scenarios</a> section, and added <a href="#">Address Mapping</a> heading. Corrected spelling of "MCTRL" to "MCTL" in sections <a href="#">30.4 Programming Guide for the PS-XADC Interface</a> and <a href="#">30.7.2 Resets</a>.</p>

Date	Version	Revision
06/28/2013	1.6 (Cont'd)	Added section <a href="#">31.5 Root Complex Use Case</a> . Added FIPS standards and clarified section <a href="#">32.1.2 Features</a> , updated configuration file and secure boot process steps in <a href="#">Figure 32-1</a> , added boot time penalty to <a href="#">Power on Reset</a> section, changed "Secure Boot" heading to " <a href="#">Secure FSBL Decryption</a> ", changed "ROM code" to "OCM ROM Memory" in <a href="#">Figure 32-2</a> and "ROM" to "OCM ROM" in <a href="#">Table 32-3</a> , updated sections <a href="#">32.2.7 Boot Image and Bitstream Decryption and Authentication</a> , <a href="#">32.2.8 HMAC Signature</a> , <a href="#">32.2.9 AES Key Management</a> , <a href="#">32.3.1 Non-Secure Boot State</a> , <a href="#">32.3.4 Boot Partition Search</a> , and <a href="#">32.3.7 Secure Boot Modes of Operation</a> (deleted <a href="#">Table 32-4</a> , "Non-secure Boot Options"). Updated register database in sections <a href="#">B.3 Module Summary</a> through <a href="#">B.34 USB Controller (usb)</a> in <a href="#">Appendix B</a> .
02/11/2014	1.7	Added 7z015 device, updated device notices, and made minor clarifications throughout document (denoted with change bars). Added section <a href="#">3.10 Implementation-Defined Configurations</a> . Added sections <a href="#">5.7 Loopback</a> and <a href="#">5.8 Exclusive AXI Accesses</a> . Reworked <a href="#">Chapter 6, Boot and Configuration</a> . Added section <a href="#">7.2.4 Interrupt Sensitivity, Targeting and Handling</a> . Added sections <a href="#">8.4.6 Clock Input Option for SWDT</a> and <a href="#">8.5.6 Clock Input Option for Counter/Timer</a> . Updated section <a href="#">10.7 Register Overview</a> . Added section <a href="#">11.7 NOR Flash Bandwidth</a> . Added sections <a href="#">AXI Read Command Processing</a> and <a href="#">12.2.7 Supported Memory Read and Write Commands</a> . Added section <a href="#">16.1.4 Clock Domains</a> and reworked section <a href="#">16.7 Known Issues</a> (previously titled "Limitations". Updated section <a href="#">21.1.2 PL Resources by Device Type</a> and added section <a href="#">21.3.4 GTP Low-Power Serial Transceivers</a> . Added <a href="#">Peripheral Clock Gating</a> subsection. Updated <a href="#">Table 26-1</a> and <a href="#">Table 26-4</a> . Updated register database in sections <a href="#">B.3 Module Summary</a> through <a href="#">B.34 USB Controller (usb)</a> in <a href="#">Appendix B</a> .
09/16/2014	1.8	Added position information for available device and package combinations for the signals associated with each GT serial transceiver channel to sections <a href="#">21.3.3 GTX Low-Power Serial Transceivers</a> and <a href="#">21.3.4 GTP Low-Power Serial Transceivers</a> .
09/19/2014	1.8.1	Removed erroneous banner from <a href="#">Chapter 21, Programmable Logic Description</a> . Corrected <i>send feedback</i> button clarity issue in footers.

# Table of Contents

Revision History .....	2
------------------------	---

## Chapter 1: Introduction

<b>1.1 Overview .....</b>	<b>26</b>
1.1.1 Block Diagram .....	27
1.1.2 Documentation Resources .....	28
1.1.3 Notices .....	30
<b>1.2 Processing System (PS) Features and Descriptions .....</b>	<b>31</b>
1.2.1 Application Processor Unit (APU) .....	31
1.2.2 Memory Interfaces .....	32
1.2.3 I/O Peripherals .....	34
<b>1.3 Programmable Logic Features and Descriptions .....</b>	<b>38</b>
<b>1.4 Interconnect Features and Description .....</b>	<b>39</b>
1.4.1 PS Interconnect Based on AXI High Performance Datapath Switches .....	39
1.4.2 PS-PL Interfaces .....	39
<b>1.5 System Software .....</b>	<b>41</b>

## Chapter 2: Signals, Interfaces, and Pins

<b>2.1 Introduction .....</b>	<b>42</b>
2.1.1 Notices .....	42
<b>2.2 Power Pins .....</b>	<b>44</b>
<b>2.3 PS I/O Pins .....</b>	<b>45</b>
<b>2.4 PS-PL Voltage Level Shifter Enables .....</b>	<b>46</b>
<b>2.5 PS-PL MIO-EMIO Signals and Interfaces .....</b>	<b>47</b>
2.5.1 I/O Peripheral (IOP) Interface Routing .....	47
2.5.2 IOP Interface Connections .....	48
2.5.3 MIO Pin Assignment Considerations .....	50
2.5.4 MIO-at-a-Glance Table .....	52
2.5.5 MIO Signal Routing .....	53
2.5.6 Default Logic Levels .....	53
2.5.7 MIO Pin Electrical Parameters .....	54
<b>2.6 PS-PL AXI Interfaces .....</b>	<b>55</b>
<b>2.7 PS-PL Miscellaneous Signals .....</b>	<b>55</b>
2.7.1 Clocks and Resets .....	56
2.7.2 Interrupt Signals .....	57
2.7.3 Event Signals .....	57
2.7.4 Idle AXI, DDR Urgent/Arb, SRAM Interrupt Signals .....	57
2.7.5 DMA Req/Ack Signals .....	58
<b>2.8 PL I/O Pins .....</b>	<b>58</b>

## Chapter 3: Application Processing Unit

<b>3.1 Introduction</b>	<b>60</b>
3.1.1 Basic Functionality	60
3.1.2 System-Level View	62
<b>3.2 Cortex-A9 Processors</b>	<b>64</b>
3.2.1 Summary	64
3.2.2 Central Processing Unit (CPU)	64
3.2.3 Level 1 Caches	67
3.2.4 Memory Ordering	70
3.2.5 Memory Management Unit (MMU)	75
3.2.6 Interfaces	88
3.2.7 NEON	89
3.2.8 Performance Monitoring Unit	90
<b>3.3 Snoop Control Unit (SCU)</b>	<b>90</b>
3.3.1 Summary	90
3.3.2 Address Filtering	91
3.3.3 SCU Master Ports	91
<b>3.4 L2-Cache</b>	<b>92</b>
3.4.1 Summary	92
3.4.2 Exclusive L2-L1 Cache Configuration	95
3.4.3 Cache Replacement Strategy	96
3.4.4 Cache Lockdown	96
3.4.5 Enabling and Disabling the L2 Cache Controller	97
3.4.6 RAM Access Latency Control	98
3.4.7 Store Buffer Operation	98
3.4.8 Optimizations Between Cortex-A9 and L2 Controller	99
3.4.9 Pre-fetching Operation	100
3.4.10 Programming Model	101
<b>3.5 APU Interfaces</b>	<b>103</b>
3.5.1 PL Co-processing Interfaces	103
3.5.2 Interrupt Interface	106
<b>3.6 Support for TrustZone</b>	<b>107</b>
<b>3.7 Application Processing Unit (APU) Reset</b>	<b>107</b>
3.7.1 Reset Functionality	107
3.7.2 APU State After Reset	108
<b>3.8 Power Considerations</b>	<b>108</b>
3.8.1 Introduction	108
3.8.2 Standby Mode	109
3.8.3 Dynamic Clock Gating in the L2 Controller	110
<b>3.9 CPU Initialization Sequence</b>	<b>110</b>
<b>3.10 Implementation-Defined Configurations</b>	<b>111</b>

## Chapter 4: System Addresses

<b>4.1 Address Map</b>	<b>112</b>
<b>4.2 System Bus Masters</b>	<b>114</b>
<b>4.3 SLCR Registers</b>	<b>114</b>
<b>4.4 CPU Private Bus Registers</b>	<b>115</b>
<b>4.5 SMC Memory</b>	<b>115</b>

<b>4.6 PS I/O Peripherals</b> .....	<b>116</b>
<b>4.7 Miscellaneous PS Registers</b> .....	<b>116</b>

## Chapter 5: Interconnect

<b>5.1 Introduction</b> .....	<b>117</b>
5.1.1 Features .....	117
5.1.2 Block Diagram .....	118
5.1.3 Datapaths .....	120
5.1.4 Clock Domains .....	121
5.1.5 Connectivity .....	124
5.1.6 AXI ID .....	124
5.1.7 Read/Write Request Capability .....	125
5.1.8 Register Overview .....	125
<b>5.2 Quality of Service (QoS)</b> .....	<b>126</b>
5.2.1 Basic Arbitration .....	126
5.2.2 Advanced QoS .....	126
5.2.3 DDR Port Arbitration .....	127
<b>5.3 AXI_HP Interfaces</b> .....	<b>127</b>
5.3.1 Features .....	127
5.3.2 Block Diagram .....	128
5.3.3 Functional Description .....	129
5.3.4 Performance .....	129
5.3.5 Register Overview .....	130
5.3.6 Bandwidth Management Features .....	130
5.3.7 Transaction Types .....	134
5.3.8 Command Interleaving and Re-Ordering .....	134
5.3.9 Performance Optimization Summary .....	135
<b>5.4 AXI_ACP Interface</b> .....	<b>136</b>
<b>5.5 AXI_GP Interfaces</b> .....	<b>137</b>
5.5.1 Features .....	137
5.5.2 Performance .....	137
<b>5.6 PS-PL AXI Interface Signals</b> .....	<b>137</b>
5.6.1 AXI Signals .....	137
5.6.2 AXI Clocks and Resets .....	141
<b>5.7 Loopback</b> .....	<b>142</b>
<b>5.8 Exclusive AXI Accesses</b> .....	<b>143</b>
5.8.1 CPU/L2 .....	143
5.8.2 ACP .....	144
5.8.3 DDRC .....	144
5.8.4 System Summary .....	146

## Chapter 6: Boot and Configuration

<b>6.1 Introduction</b> .....	<b>147</b>
6.1.1 PS Hardware Boot Stages .....	151
6.1.2 PS Software Boot Stages .....	151
6.1.3 Boot Device Content .....	152
6.1.4 Boot Modes .....	152
6.1.5 BootROM Execution .....	153
6.1.6 FSBL / User Code Execution .....	154



6.1.7	PL Boot Process . . . . .	155
6.1.8	PL Programming Paths . . . . .	155
6.1.9	Device Configuration Interface . . . . .	156
6.1.10	Starting Code on CPU 1 . . . . .	158
6.1.11	Development Environment . . . . .	159
<b>6.2</b>	<b>Device Start-up . . . . .</b>	<b>159</b>
6.2.1	Introduction . . . . .	159
6.2.2	Power Requirements . . . . .	159
6.2.3	Clocks and PLLs . . . . .	160
6.2.4	Reset Operations . . . . .	160
6.2.5	Boot Mode Pin Settings . . . . .	162
6.2.6	I/O Pin Connections for Boot Devices . . . . .	164
<b>6.3</b>	<b>BootROM . . . . .</b>	<b>165</b>
6.3.1	BootROM Flowchart . . . . .	165
6.3.2	Boot Header . . . . .	168
6.3.3	BootROM Performance . . . . .	172
6.3.4	Quad-SPI Boot . . . . .	176
6.3.5	NAND Boot . . . . .	179
6.3.6	NOR Boot . . . . .	182
6.3.7	SD Card Boot . . . . .	183
6.3.8	MIO Pin Register Values after a Reset, Lockdown, and JTAG . . . . .	185
6.3.9	Boot Header Search . . . . .	185
6.3.10	MultiBoot . . . . .	187
6.3.11	BootROM Error Codes . . . . .	188
6.3.12	Post BootROM State . . . . .	192
6.3.13	Registers Modified by the BootROM – Examples . . . . .	194
<b>6.4</b>	<b>Device Configuration Functions and Operations . . . . .</b>	<b>196</b>
6.4.1	Simultaneous PS and PL Bring-Up . . . . .	197
6.4.2	PL Control . . . . .	198
6.4.3	PL Configuration . . . . .	201
6.4.4	Configure and Reconfigure the PL . . . . .	202
6.4.5	AXI-PCAP Bridge Datapaths . . . . .	203
6.4.6	AXI-PCAP Bridge FIFOs and DMA Controller . . . . .	205
6.4.7	JTAG Interfaces and Controllers . . . . .	207
<b>6.5</b>	<b>Reference Section . . . . .</b>	<b>211</b>
6.5.1	Register Overview . . . . .	212
6.5.2	PS Version and Device Revision . . . . .	212

## Chapter 7: Interrupts

<b>7.1</b>	<b>Environment . . . . .</b>	<b>213</b>
7.1.1	Private, Shared and Software Interrupts . . . . .	214
7.1.2	Generic Interrupt Controller (GIC) . . . . .	214
7.1.3	Resets and Clocks . . . . .	214
7.1.4	Block Diagram . . . . .	214
7.1.5	CPU Interrupt Signal Pass-through . . . . .	215
<b>7.2</b>	<b>Functional Description . . . . .</b>	<b>216</b>
7.2.1	Software Generated Interrupts (SGI) . . . . .	216
7.2.2	CPU Private Peripheral Interrupts (PPI) . . . . .	217
7.2.3	Shared Peripheral Interrupts (SPI) . . . . .	217
7.2.4	Interrupt Sensitivity, Targeting and Handling . . . . .	219
7.2.5	Wait for Interrupt Event Signal (WFI) . . . . .	221

<b>7.3 Register Overview</b> .....	<b>221</b>
7.3.1 Write Protection Lock .....	222
<b>7.4 Programming Model</b> .....	<b>223</b>
7.4.1 Interrupt Prioritization .....	223
7.4.2 Interrupt Handling .....	223
7.4.3 ARM Programming Topics .....	223
7.4.4 Legacy Interrupts and Security Extensions .....	224

## Chapter 8: Timers

<b>8.1 Introduction</b> .....	<b>225</b>
8.1.1 System Diagram .....	226
8.1.2 Notices .....	226
<b>8.2 CPU Private Timers and Watchdog Timers</b> .....	<b>227</b>
8.2.1 Clocking .....	227
8.2.2 Interrupt to PS Interrupt Controller .....	227
8.2.3 Resets .....	227
8.2.4 Register Overview .....	227
<b>8.3 Global Timer (GT)</b> .....	<b>228</b>
8.3.1 Clocking .....	228
8.3.2 Register Overview .....	228
<b>8.4 System Watchdog Timer (SWDT)</b> .....	<b>229</b>
8.4.1 Features .....	229
8.4.2 Block Diagram .....	230
8.4.3 Functional Description .....	230
8.4.4 Register Overview .....	231
8.4.5 Programming Model .....	231
8.4.6 Clock Input Option for SWDT .....	232
<b>8.5 Triple Timer Counters (TTC)</b> .....	<b>232</b>
8.5.1 Features .....	232
8.5.2 Block Diagram .....	233
8.5.3 Functional Description .....	233
8.5.4 Register Overview .....	234
8.5.5 Programming Model .....	235
8.5.6 Clock Input Option for Counter/Timer .....	236
<b>8.6 I/O Signals</b> .....	<b>237</b>

## Chapter 9: DMA Controller

<b>9.1 Introduction</b> .....	<b>238</b>
9.1.1 Features .....	239
9.1.2 System Viewpoint .....	240
9.1.3 Block Diagram .....	241
9.1.4 Notices .....	243
<b>9.2 Functional Description</b> .....	<b>244</b>
9.2.1 DMA Transfers on the AXI Interconnect .....	245
9.2.2 AXI Transaction Considerations .....	247
9.2.3 DMA Manager .....	247
9.2.4 Multi-channel Data FIFO (MFIFO) .....	249
9.2.5 Memory-to-Memory Transfers .....	249
9.2.6 PL Peripheral AXI Transactions .....	250

9.2.7 PL Peripheral Request Interface . . . . .	250
9.2.8 PL Peripheral - Length Managed by PL Peripheral . . . . .	253
9.2.9 PL Peripheral - Length Managed by DMAC . . . . .	254
9.2.10 Events and Interrupts . . . . .	255
9.2.11 Aborts . . . . .	256
9.2.12 Security . . . . .	258
9.2.13 IP Configuration Options . . . . .	260
<b>9.3 Programming Guide for DMA Controller . . . . .</b>	<b>261</b>
9.3.1 Startup . . . . .	261
9.3.2 Execute a DMA Transfer . . . . .	261
9.3.3 Interrupt Service Routine . . . . .	261
9.3.4 Register Overview . . . . .	262
<b>9.4 Programming Guide for DMA Engine . . . . .</b>	<b>263</b>
9.4.1 Write Microcode to Program CCRx for AXI Transactions . . . . .	264
9.4.2 Memory-to-Memory Transfers . . . . .	264
9.4.3 PL Peripheral DMA Transfer Length Management . . . . .	268
9.4.4 Restart Channel using an Event . . . . .	270
9.4.5 Interrupting a Processor . . . . .	271
9.4.6 Instruction Set Reference . . . . .	271
<b>9.5 Programming Restrictions . . . . .</b>	<b>272</b>
9.5.1 Updating Channel Control Registers During a DMA Cycle . . . . .	273
<b>9.6 System Functions . . . . .</b>	<b>275</b>
9.6.1 Clocks . . . . .	275
9.6.2 Resets . . . . .	275
9.6.3 Reset Configuration of Controller . . . . .	275
<b>9.7 I/O Interface . . . . .</b>	<b>276</b>
9.7.1 AXI Master Interface . . . . .	276
9.7.2 Peripheral Request Interface . . . . .	276

## Chapter 10: DDR Memory Controller

<b>10.1 Introduction . . . . .</b>	<b>278</b>
10.1.1 Features . . . . .	279
10.1.2 Block Diagram . . . . .	280
10.1.3 Notices . . . . .	281
10.1.4 Interconnect . . . . .	281
10.1.5 DDR Memory Types, Densities, and Data Widths . . . . .	282
10.1.6 I/O Signals . . . . .	282
<b>10.2 AXI Memory Port Interface (DDRI) . . . . .</b>	<b>283</b>
10.2.1 Introduction . . . . .	283
10.2.2 Block Diagram . . . . .	285
10.2.3 AXI Feature Support and Limitations . . . . .	285
10.2.4 TrustZone . . . . .	286
<b>10.3 DDR Core and Transaction Scheduler (DDRC) . . . . .</b>	<b>286</b>
10.3.1 Row/Bank/Column Address Mapping . . . . .	287
<b>10.4 DDRC Arbitration . . . . .</b>	<b>287</b>
10.4.1 Priority, Aging Counter and Urgent Signals . . . . .	288
10.4.2 Page-Match . . . . .	288
10.4.3 Aging Counter . . . . .	289
10.4.4 Stage 1 – AXI Port Arbitration . . . . .	289
10.4.5 Stage 2 – Read Versus Write . . . . .	291

10.4.6	High Priority Read Ports . . . . .	291
10.4.7	Stage 3 – Transaction State . . . . .	292
10.4.8	Read Priority Management . . . . .	294
10.4.9	Write Combine . . . . .	294
10.4.10	Credit Mechanism . . . . .	295
<b>10.5</b>	<b>Controller PHY (DDRP) . . . . .</b>	<b>295</b>
<b>10.6</b>	<b>Initialization and Calibration . . . . .</b>	<b>296</b>
10.6.1	DDR Clock Initialization . . . . .	296
10.6.2	DDR IOB Impedance Calibration . . . . .	297
10.6.3	DDR IOB Configuration . . . . .	298
10.6.4	DDR Controller Register Programming . . . . .	299
10.6.5	DRAM Reset and Initialization . . . . .	300
10.6.6	DRAM Input Impedance (ODT) Calibration . . . . .	300
10.6.7	DRAM Output Impedance ( $R_{ON}$ ) Calibration . . . . .	301
10.6.8	DRAM Training . . . . .	301
10.6.9	Write Data Eye Adjustment . . . . .	303
10.6.10	Alternatives to Automatic DRAM Training . . . . .	304
10.6.11	DRAM Write Latency Restriction . . . . .	306
<b>10.7</b>	<b>Register Overview. . . . .</b>	<b>306</b>
10.7.1	DDRI . . . . .	306
10.7.2	DDRC . . . . .	307
10.7.3	DDRP . . . . .	309
<b>10.8</b>	<b>Error Correction Code (ECC) . . . . .</b>	<b>310</b>
10.8.1	ECC Initialization . . . . .	310
10.8.2	ECC Error Behavior . . . . .	310
10.8.3	Data Mask During ECC Mode . . . . .	311
10.8.4	ECC Programming Model . . . . .	311
<b>10.9</b>	<b>Programming Model. . . . .</b>	<b>312</b>
10.9.1	Operating Modes . . . . .	312
10.9.2	Changing Clock Frequencies . . . . .	312
10.9.3	Power Down . . . . .	313
10.9.4	Deep Power Down . . . . .	313
10.9.5	Self Refresh . . . . .	313
10.9.6	DDR Power Reduction . . . . .	314

## Chapter 11: Static Memory Controller

<b>11.1</b>	<b>Introduction . . . . .</b>	<b>315</b>
11.1.1	Features . . . . .	316
11.1.2	Block Diagram . . . . .	317
11.1.3	Notices . . . . .	318
<b>11.2</b>	<b>Functional Operation . . . . .</b>	<b>318</b>
11.2.1	Boot Device . . . . .	318
11.2.2	Clocks . . . . .	318
11.2.3	Resets . . . . .	318
11.2.4	Interrupts . . . . .	319
11.2.5	PL353 Functionality . . . . .	319
11.2.6	Address Map . . . . .	319
<b>11.3</b>	<b>I/O Signals . . . . .</b>	<b>320</b>
<b>11.4</b>	<b>Wiring Diagrams . . . . .</b>	<b>321</b>
<b>11.5</b>	<b>Register Overview. . . . .</b>	<b>322</b>

<b>11.6 Programming Model</b> .....	<b>323</b>
<b>11.7 NOR Flash Bandwidth</b> .....	<b>323</b>

## Chapter 12: Quad-SPI Flash Controller

<b>12.1 Introduction</b> .....	<b>324</b>
12.1.1 Features .....	324
12.1.2 System Viewpoint .....	325
12.1.3 Block Diagram .....	326
12.1.4 Notices .....	326
<b>12.2 Functional Description</b> .....	<b>327</b>
12.2.1 Operational Modes .....	327
12.2.2 I/O Mode .....	327
12.2.3 I/O Mode Transmit Registers (TXD) .....	328
12.2.4 I/O Mode Considerations .....	329
12.2.5 Linear Addressing Mode .....	329
12.2.6 Unsupported Devices .....	332
12.2.7 Supported Memory Read and Write Commands .....	333
<b>12.3 Programming Guide</b> .....	<b>333</b>
12.3.1 Configuration .....	334
12.3.2 Linear Addressing Mode .....	335
12.3.3 Configure I/O Mode .....	335
12.3.4 I/O Mode Interrupts .....	336
12.3.5 Rx/Tx FIFO Response to I/O Command Sequences .....	337
12.3.6 Register Overview .....	339
<b>12.4 System Functions</b> .....	<b>339</b>
12.4.1 Clocks .....	339
12.4.2 Resets .....	341
<b>12.5 I/O Interface</b> .....	<b>341</b>
12.5.1 Wiring Connections .....	341
12.5.2 MIO Programming .....	345
12.5.3 MIO Signals .....	348

## Chapter 13: SD/SDIO Controller

<b>13.1 Introduction</b> .....	<b>349</b>
13.1.1 Key Features .....	350
13.1.2 System Viewpoint .....	351
<b>13.2 Functional Description</b> .....	<b>351</b>
13.2.1 AHB Interface and Interrupt Controller .....	351
13.2.2 SD/SDIO Host Controller .....	351
13.2.3 Data FIFO .....	352
13.2.4 Command and Control Logic .....	352
13.2.5 Bus Monitor .....	352
13.2.6 Stream Write and Read .....	353
13.2.7 Clocks .....	353
13.2.8 Soft Resets .....	353
13.2.9 FIFO Overrun and Underrun Conditions .....	353
<b>13.3 Programming Model</b> .....	<b>354</b>
13.3.1 Data Transfer Protocol Overview .....	354
13.3.2 Data Transfers Without DMA .....	354

13.3.3 Using DMA . . . . .	357
13.3.4 Using ADMA . . . . .	360
13.3.5 Abort Transaction . . . . .	361
13.3.6 External Interface Usage Example . . . . .	362
13.3.7 Supported Configurations . . . . .	363
13.3.8 Bus Voltage Translation . . . . .	364
<b>13.4 SDIO Controller Media Interface Signals . . . . .</b>	<b>364</b>
13.4.1 SDIO EMIO Considerations . . . . .	365

## Chapter 14: General Purpose I/O (GPIO)

<b>14.1 Introduction . . . . .</b>	<b>366</b>
14.1.1 Features . . . . .	366
14.1.2 Block Diagram . . . . .	367
14.1.3 Notices . . . . .	368
<b>14.2 Functional Description . . . . .</b>	<b>368</b>
14.2.1 GPIO Control of Device Pins . . . . .	368
14.2.2 EMIO Signals . . . . .	370
14.2.3 Bank0, Bits[8:7] are Outputs . . . . .	370
14.2.4 Interrupt Function . . . . .	371
<b>14.3 Programming Guide . . . . .</b>	<b>372</b>
14.3.1 Start-up Sequence . . . . .	372
14.3.2 GPIO Pin Configurations . . . . .	372
14.3.3 Writing Data to GPIO Output Pins . . . . .	373
14.3.4 Reading Data from GPIO Input Pins . . . . .	373
14.3.5 GPIO as Wake-up Event . . . . .	374
14.3.6 Register Overview . . . . .	374
<b>14.4 System Functions . . . . .</b>	<b>374</b>
14.4.1 Clocks . . . . .	375
14.4.2 Resets . . . . .	375
14.4.3 Interrupts . . . . .	375
<b>14.5 I/O Interface . . . . .</b>	<b>375</b>
14.5.1 MIO Programming . . . . .	375

## Chapter 15: USB Host, Device, and OTG Controller

<b>15.1 Introduction . . . . .</b>	<b>376</b>
15.1.1 Features . . . . .	377
15.1.2 Operating Modes . . . . .	378
15.1.3 Hardware System Viewpoint . . . . .	378
15.1.4 Controller Block Diagram . . . . .	380
15.1.5 Configuration, Control and Status . . . . .	382
15.1.6 Data Structures . . . . .	382
15.1.7 Implementation Summary . . . . .	384
15.1.8 Documentation . . . . .	384
15.1.9 Notices . . . . .	386
15.1.10 Chapter Overview . . . . .	386
<b>15.2 Functional Description . . . . .</b>	<b>387</b>
15.2.1 Controller Flow Diagram . . . . .	387
15.2.2 DMA Engine . . . . .	387
15.2.3 Protocol Engine . . . . .	388
15.2.4 Port Controller . . . . .	389

15.2.5	ULPI Link Wrapper	389
15.2.6	General Purpose Timers	390
<b>15.3</b>	<b>Programming Overview and Reference</b>	<b>390</b>
15.3.1	Hardware/Software System	391
15.3.2	Operational Mode Control	391
15.3.3	Power Management	392
15.3.4	Register Overview	392
15.3.5	Interrupt and Status Bits Overview	394
15.3.6	OTG Status/Interrupt and Control Register	395
<b>15.4</b>	<b>Device Mode Control</b>	<b>395</b>
15.4.1	Controller State	396
15.4.2	USB Bus Reset Response	397
<b>15.5</b>	<b>Device Endpoint Data Structures</b>	<b>398</b>
15.5.1	Link-list Endpoint Descriptors	398
15.5.2	Manage Endpoints	400
15.5.3	Endpoint Registers	401
15.5.4	Endpoint Initialization	402
<b>15.6</b>	<b>Device Endpoint Packet Operational Model</b>	<b>404</b>
15.6.1	Prime Transmit Endpoints	404
15.6.2	Prime Receive Endpoints	405
15.6.3	Interrupt and Bulk Endpoint Operational Model	405
15.6.4	Isochronous Endpoint Operational Model	408
15.6.5	Control Endpoint Operational Model	410
<b>15.7</b>	<b>Device Endpoint Descriptor Reference</b>	<b>412</b>
15.7.1	Endpoint Queue Head Descriptor (dQH)	413
15.7.2	Endpoint Transfer Descriptor (dTD)	414
15.7.3	Endpoint Transfer Overlay Area	415
<b>15.8</b>	<b>Programming Guide for Device Controller</b>	<b>417</b>
15.8.1	Software Model	418
15.8.2	USB Reset	418
15.8.3	Register Controlled Reset	418
<b>15.9</b>	<b>Programming Guide for Device Endpoint Data Structures</b>	<b>418</b>
15.9.1	Device Controller Initialization Overview	418
15.9.2	Manage Transfer Descriptors	419
15.9.3	Manage Transfers with Transfer Descriptors	421
15.9.4	Service Device Mode Interrupts	423
<b>15.10</b>	<b>Host Mode Data Structures</b>	<b>425</b>
15.10.1	Host Controller Transfer Schedule Structures	425
15.10.2	Periodic Schedule	426
15.10.3	Asynchronous Schedule	427
<b>15.11</b>	<b>EHCI Implementation</b>	<b>428</b>
15.11.1	Overview	428
15.11.2	Embedded Transaction Translator	430
15.11.3	EHCI Functional Changes for the TT	432
15.11.4	Port Reset Timer Enhancement	432
15.11.5	Port Speed Detection Mechanism	433
15.11.6	FS/LS Data Structures	433
15.11.7	Operational Model of the TT	434
15.11.8	Port Test Mode	435
<b>15.12</b>	<b>Host Data Structures Reference</b>	<b>436</b>

15.12.1	Descriptor Usage	.436
15.12.2	Transfer Descriptor Type (TYP) Field	.436
15.12.3	Isochronous (High Speed) Transfer Descriptor (iTd)	.437
15.12.4	Split Transaction Isochronous Transfer Descriptor (siTD)	.441
15.12.5	Queue Element Transfer Descriptor (qTD)	.445
15.12.6	Queue Head (QH)	.449
15.12.7	Transfer Overlay Area	.452
15.12.8	Periodic Frame Span Traversal Node (FSTN)	.454
<b>15.13</b>	<b>Programming Guide for Host Controller</b>	<b>455</b>
15.13.1	Controller Reset	.455
15.13.2	Run/Stop	.455
<b>15.14</b>	<b>OTG Description and Reference</b>	<b>455</b>
15.14.1	Hardware Assistance Features	.456
15.14.2	OTG Interrupt and Control Bits	.457
<b>15.15</b>	<b>System Functions</b>	<b>458</b>
15.15.1	Clocks	.458
15.15.2	Reset Types	.459
15.15.3	System Interrupt	.460
15.15.4	APB Slave Interface	.460
15.15.5	AHB Master Interface	.460
<b>15.16</b>	<b>I/O Interfaces</b>	<b>460</b>
15.16.1	Wiring Connections	.461
15.16.2	MIO-EMIO Programming	.461
15.16.3	MIO-EMIO Signals	.462

## Chapter 16: Gigabit Ethernet Controller

<b>16.1</b>	<b>Introduction</b>	<b>464</b>
16.1.1	Block Diagram	.465
16.1.2	Features	.465
16.1.3	System Viewpoint	.466
16.1.4	Clock Domains	.467
16.1.5	Notices	.467
<b>16.2</b>	<b>Functional Description and Programming Model</b>	<b>468</b>
16.2.1	MAC Transmitter	.468
16.2.2	MAC Receiver	.469
16.2.3	MAC Filtering	.470
16.2.4	Wake-on-LAN Support	.473
16.2.5	DMA Block	.474
16.2.6	Checksum Offloading	.484
16.2.7	IEEE 1588 Time Stamp Unit	.486
16.2.8	MAC 802.3 Pause Frame Support	.489
<b>16.3</b>	<b>Programming Guide</b>	<b>493</b>
16.3.1	Initialize the Controller	.493
16.3.2	Configure the Controller	.494
16.3.3	I/O Configuration	.495
16.3.4	Configure the PHY	.496
16.3.5	Configure the Buffer Descriptors	.497
16.3.6	Configure Interrupts	.499
16.3.7	Enable the Controller	.499
16.3.8	Transmitting Frames	.500
16.3.9	Receiving Frames	.500



16.3.10 Debug Guide . . . . .	501
<b>16.4 IEEE 1588 Time Stamping . . . . .</b>	<b>503</b>
16.4.1 Overview . . . . .	503
16.4.2 Controller Initialization . . . . .	505
16.4.3 Best Master Clock Algorithm (BMCA) . . . . .	506
16.4.4 PTP Packet Handling at the Master . . . . .	507
16.4.5 PTP Packet Handling at the Slave . . . . .	509
<b>16.5 Register Overview . . . . .</b>	<b>509</b>
16.5.1 Control Registers . . . . .	509
16.5.2 Status and Statistics Registers . . . . .	511
<b>16.6 Signals and I/O Connections . . . . .</b>	<b>513</b>
16.6.1 MIO–EMIO Interface Routing . . . . .	513
16.6.2 Precision Time Protocol . . . . .	513
16.6.3 Programmable Logic (PL) Implementations . . . . .	513
16.6.4 RGMII Interface via MIO . . . . .	514
16.6.5 GMII/MII Interface via EMIO . . . . .	515
16.6.6 MDIO Interface Signals via MIO and EMIO . . . . .	516
16.6.7 MIO Pin Considerations . . . . .	517
<b>16.7 Known Issues . . . . .</b>	<b>517</b>

## Chapter 17: SPI Controller

<b>17.1 Introduction . . . . .</b>	<b>519</b>
17.1.1 Features . . . . .	520
17.1.2 System Viewpoint . . . . .	521
17.1.3 Block Diagram . . . . .	522
17.1.4 Notices . . . . .	523
<b>17.2 Functional Description . . . . .</b>	<b>524</b>
17.2.1 Master Mode . . . . .	524
17.2.2 Multi-Master Capability . . . . .	526
17.2.3 Slave Mode . . . . .	526
17.2.4 FIFOs . . . . .	527
17.2.5 FIFO Interrupts . . . . .	528
17.2.6 Interrupt Register Bits, Logic Flow . . . . .	528
17.2.7 SPI-to-SPI Connection . . . . .	529
<b>17.3 Programming Guide . . . . .</b>	<b>529</b>
17.3.1 Start-up Sequence . . . . .	529
17.3.2 Controller Configuration . . . . .	529
17.3.3 . . . . .	Master Mode Data Transfer 530
17.3.4 . . . . .	Slave Mode Data Transfer 532
17.3.5 Interrupt Service Routine . . . . .	532
17.3.6 Register Overview . . . . .	533
<b>17.4 System Functions . . . . .</b>	<b>533</b>
17.4.1 Resets . . . . .	534
17.4.2 Clocks . . . . .	534
<b>17.5 I/O Interfaces . . . . .</b>	<b>535</b>
17.5.1 Protocol . . . . .	535
17.5.2 Back-to-Back Transfers . . . . .	537
17.5.3 MIO/EMIO Routing . . . . .	538
17.5.4 Wiring Connections . . . . .	539
17.5.5 MIO/EMIO Signal Tables . . . . .	542

## Chapter 18: CAN Controller

<b>18.1 Introduction</b>	<b>544</b>
18.1.1 Features	544
18.1.2 System Viewpoint	545
18.1.3 Block Diagram	545
18.1.4 Notices	546
<b>18.2 Functional Description</b>	<b>547</b>
18.2.1 Controller Modes	547
18.2.2 Message Format	550
18.2.3 Message Buffering	552
18.2.4 Interrupts	554
18.2.5 Rx Message Filtering	556
18.2.6 Protocol Engine	559
18.2.7 CAN0-to-CAN1 Connection	561
<b>18.3 Programming Guide</b>	<b>561</b>
18.3.1 Overview	561
18.3.2 Configuration Mode State	562
18.3.3 Start-up Controller	563
18.3.4 Change Operating Mode	563
18.3.5 Write Messages to TxFIFO	564
18.3.6 Write Messages to TxHPB	564
18.3.7 Read Messages from RxFIFO	564
18.3.8 Register Overview	565
<b>18.4 System Functions</b>	<b>566</b>
18.4.1 Clocks	566
18.4.2 Resets	567
<b>18.5 I/O Interface</b>	<b>568</b>
18.5.1 MIO Programming	568
18.5.2 MIO-EMIO Signals	568

## Chapter 19: UART Controller

<b>19.1 Introduction</b>	<b>570</b>
19.1.1 Features	570
19.1.2 System Viewpoint	571
19.1.3 Notices	571
<b>19.2 Functional Description</b>	<b>572</b>
19.2.1 Block Diagram	572
19.2.2 Control Logic	572
19.2.3 Baud Rate Generator	572
19.2.4 Transmit FIFO	574
19.2.5 Transmitter Data Stream	574
19.2.6 Receiver FIFO	575
19.2.7 Receiver Data Capture	575
19.2.8 I/O Mode Switch	577
19.2.9 UART0-to-UART1 Connection	579
19.2.10 Status and Interrupts	579
19.2.11 Modem Control	581
<b>19.3 Programming Guide</b>	<b>583</b>
19.3.1 Start-up Sequence	583
19.3.2 Configure Controller Functions	584

19.3.3 Transmit Data . . . . .	585
19.3.4 Receive Data . . . . .	586
19.3.5 RxFIFO Trigger Level Interrupt . . . . .	586
19.3.6 Register Overview . . . . .	587
<b>19.4 System Functions . . . . .</b>	<b>587</b>
19.4.1 Clocks . . . . .	587
19.4.2 Resets . . . . .	588
<b>19.5 I/O Interface . . . . .</b>	<b>589</b>
19.5.1 MIO Programming . . . . .	589
19.5.2 MIO – EMIO Signals . . . . .	590

## Chapter 20: I2C Controller

<b>20.1 Introduction . . . . .</b>	<b>591</b>
20.1.1 Features . . . . .	591
20.1.2 System Block Diagram . . . . .	592
20.1.3 Notices . . . . .	592
<b>20.2 Functional Description . . . . .</b>	<b>593</b>
20.2.1 Block Diagram . . . . .	593
20.2.2 Master Mode . . . . .	593
20.2.3 Slave Monitor Mode . . . . .	595
20.2.4 Slave Mode . . . . .	595
20.2.5 I2C Speed . . . . .	597
20.2.6 Multi-Master Operation . . . . .	598
20.2.7 I2C0-to-I2C1 Connection . . . . .	598
20.2.8 Status and Interrupts . . . . .	598
<b>20.3 Programmer’s Guide . . . . .</b>	<b>599</b>
20.3.1 Start-up Sequence . . . . .	599
20.3.2 Controller Configuration . . . . .	599
20.3.3 Configure Interrupts . . . . .	600
20.3.4 Data Transfers . . . . .	600
20.3.5 Register Overview . . . . .	603
<b>20.4 System Functions . . . . .</b>	<b>603</b>
20.4.1 Clocks . . . . .	603
20.4.2 Reset Controller . . . . .	603
<b>20.5 I/O Interface . . . . .</b>	<b>604</b>
20.5.1 Pin Programming . . . . .	604
20.5.2 MIO-EMIO Interfaces . . . . .	604

## Chapter 21: Programmable Logic Description

<b>21.1 Introduction . . . . .</b>	<b>606</b>
21.1.1 Features . . . . .	606
21.1.2 PL Resources by Device Type . . . . .	608
21.1.3 Notices . . . . .	609
<b>21.2 PL Components . . . . .</b>	<b>609</b>
21.2.1 CLBs, Slices, and LUTs . . . . .	609
21.2.2 Clock Management . . . . .	610
21.2.3 Block RAM . . . . .	611
21.2.4 Digital Signal Processing — DSP Slice . . . . .	613
<b>21.3 Input/Output . . . . .</b>	<b>613</b>

21.3.1 PS-PL Interfaces .....	613
21.3.2 SelectIO .....	614
21.3.3 GTX Low-Power Serial Transceivers .....	616
21.3.4 GTP Low-Power Serial Transceivers .....	631
21.3.5 Integrated I/O Block for PCIe .....	632
<b>21.4 Configuration .....</b>	<b>633</b>

## Chapter 22: Programmable Logic Design Guide

<b>22.1 Introduction .....</b>	<b>634</b>
<b>22.2 Programmable Logic for Software Offload .....</b>	<b>634</b>
22.2.1 Benefits of Using PL to Implement Software Algorithms .....	634
22.2.2 Designing PL Accelerators .....	635
22.2.3 PL Acceleration Limits .....	636
22.2.4 Power Offload .....	636
22.2.5 Real Time Offload .....	637
22.2.6 Reconfigurable Computing .....	638
<b>22.3 PL and Memory System Performance Overview .....</b>	<b>639</b>
22.3.1 Theoretical Bandwidth .....	639
22.3.2 DDR Efficiency .....	640
22.3.3 OCM Efficiency .....	641
22.3.4 Interconnect Throughput Bottlenecks .....	641
<b>22.4 Choosing a Programmable Logic Interface .....</b>	<b>642</b>
22.4.1 PL Interface Comparison Summary .....	642
22.4.2 Cortex-A9 CPU via General Purpose Masters .....	642
22.4.3 PS DMA Controller (DMAC) via General Purpose Masters .....	643
22.4.4 PL DMA via AXI High-Performance (HP) Interface .....	644
22.4.5 PL DMA via AXI ACP .....	645
22.4.6 PL DMA via General Purpose AXI Slave (GP) .....	646

## Chapter 23: Programmable Logic Test and Debug

<b>23.1 Introduction .....</b>	<b>647</b>
23.1.1 Features .....	647
23.1.2 Block Diagram .....	648
23.1.3 System Viewpoint .....	649
<b>23.2 Functional Description .....</b>	<b>649</b>
23.2.1 Basic Operation .....	649
23.2.2 Packet Generation .....	650
23.2.3 Packet Format .....	652
<b>23.3 Signals .....</b>	<b>654</b>
23.3.1 General-Purpose Debug Signals .....	654
23.3.2 Trigger Signals .....	655
23.3.3 Trace Signals .....	655
<b>23.4 Register Overview .....</b>	<b>656</b>
<b>23.5 Programming Model .....</b>	<b>656</b>
23.5.1 FTM Security .....	656

## Chapter 24: Power Management

<b>24.1 Introduction .....</b>	<b>657</b>
--------------------------------	------------

24.1.1 Features . . . . .	657
<b>24.2 System Design Considerations . . . . .</b>	<b>658</b>
24.2.1 Device Technology Choice . . . . .	658
24.2.2 PL Power-down Control . . . . .	658
24.2.3 APU Maximum Frequency . . . . .	659
24.2.4 DDR Memory Clock Frequency . . . . .	659
24.2.5 DDR Memory Controller Modes and Configurations . . . . .	659
24.2.6 Boot Interface Options . . . . .	659
24.2.7 PS Clock Gating . . . . .	659
<b>24.3 Programming Guides . . . . .</b>	<b>660</b>
24.3.1 System Modules . . . . .	660
24.3.2 Peripherals . . . . .	661
24.3.3 I/O Buffers . . . . .	662
<b>24.4 Sleep Mode . . . . .</b>	<b>663</b>
24.4.1 Setup Wake-up Events . . . . .	663
24.4.2 Programming Guide . . . . .	663
<b>24.5 Register Overview . . . . .</b>	<b>665</b>

## Chapter 25: Clocks

<b>25.1 Introduction . . . . .</b>	<b>666</b>
25.1.1 System Block Diagram . . . . .	666
25.1.2 Clock Generation . . . . .	667
25.1.3 System Viewpoint . . . . .	668
25.1.4 Power Management . . . . .	669
<b>25.2 CPU Clock . . . . .</b>	<b>670</b>
<b>25.3 System-wide Clock Frequency Examples . . . . .</b>	<b>672</b>
<b>25.4 Clock Generator Design . . . . .</b>	<b>674</b>
<b>25.5 DDR Clocks . . . . .</b>	<b>675</b>
<b>25.6 IOP Clock Generator . . . . .</b>	<b>676</b>
25.6.1 USB Clocks . . . . .	676
25.6.2 Ethernet Clocks . . . . .	677
25.6.3 SDIO, SMC, SPI, Quad-SPI and UART Clocks . . . . .	678
25.6.4 CAN Clocks . . . . .	678
25.6.5 GPIO and I2C Clocks . . . . .	679
<b>25.7 PL Clocks . . . . .</b>	<b>679</b>
25.7.1 Clock Throttle . . . . .	680
25.7.2 Clock Throttle Programming . . . . .	681
<b>25.8 Trace Port Clock . . . . .</b>	<b>683</b>
<b>25.9 Register Overview . . . . .</b>	<b>683</b>
<b>25.10 Programming Model . . . . .</b>	<b>684</b>
25.10.1 Branch Clock Generator . . . . .	684
25.10.2 DDR Clocks . . . . .	685
25.10.3 Digitally Controlled Impedance (DCI) Clock . . . . .	685
25.10.4 PLLs . . . . .	685

## Chapter 26: Reset System

<b>26.1 Introduction . . . . .</b>	<b>688</b>
26.1.1 Features . . . . .	688

26.1.2	Block Diagram	688
26.1.3	Reset Hierarchy	689
26.1.4	Boot Flow	690
<b>26.2</b>	<b>Reset Sources</b>	<b>691</b>
26.2.1	Power-on Reset (PS_POR_B)	691
26.2.2	External System Reset (PS_SRST_B)	692
26.2.3	System Software Reset	692
26.2.4	Watchdog Timer Resets	692
26.2.5	Secure Violation Lock Down	692
26.2.6	Debug Resets	692
<b>26.3</b>	<b>Reset Effects</b>	<b>693</b>
26.3.1	Peripherals	693
<b>26.4</b>	<b>PL Resets</b>	<b>694</b>
26.4.1	PL General Purpose User Resets	694
26.4.2	AXI/DMA Interface Resets	694
<b>26.5</b>	<b>Register Overview</b>	<b>695</b>
26.5.1	Reset Subsystem Control and Status	695
26.5.2	System Reset Control	695
26.5.3	Peripheral Reset Control	696

## Chapter 27: JTAG and DAP Subsystem

<b>27.1</b>	<b>Introduction</b>	<b>697</b>
27.1.1	Block Diagram	697
27.1.2	Features	699
<b>27.2</b>	<b>Functional Description</b>	<b>700</b>
<b>27.3</b>	<b>I/O Signals</b>	<b>702</b>
<b>27.4</b>	<b>Programming Model</b>	<b>703</b>
27.4.1	Use Case I: Software Debug with Trace Port Enabled	703
27.4.2	Use Case II: PS and PL Debug with Trace Port Enabled	703
<b>27.5</b>	<b>ARM DAP Controller</b>	<b>704</b>
<b>27.6</b>	<b>Trace Port Interface Unit (TPIU)</b>	<b>706</b>
<b>27.7</b>	<b>Xilinx TAP Controller</b>	<b>706</b>

## Chapter 28: System Test and Debug

<b>28.1</b>	<b>Introduction</b>	<b>708</b>
28.1.1	Features	708
28.1.2	Notices	709
<b>28.2</b>	<b>Functional Description</b>	<b>709</b>
28.2.1	Debug Access Port (DAP)	710
28.2.2	Embedded Cross Trigger (ECT)	711
28.2.3	Program Trace Macrocell (PTM)	713
28.2.4	Instrumentation Trace Macrocell (ITM)	713
28.2.5	Funnel	713
28.2.6	Embedded Trace Buffer (ETB)	714
28.2.7	Trace Packet Output (TPIU)	714
<b>28.3</b>	<b>I/O Signals</b>	<b>715</b>
<b>28.4</b>	<b>Register Overview</b>	<b>716</b>
28.4.1	Memory Map	716

28.4.2	Functionality	717
<b>28.5</b>	<b>Programming Model</b>	<b>720</b>
28.5.1	Authentication Requirements	720

## Chapter 29: On-Chip Memory (OCM)

<b>29.1</b>	<b>Introduction</b>	<b>722</b>
29.1.1	Block Diagram	723
29.1.2	Features	723
29.1.3	System Viewpoint	724
<b>29.2</b>	<b>Functional Description</b>	<b>725</b>
29.2.1	Overview	725
29.2.2	Optimal Transfer Alignment	725
29.2.3	Clocking	725
29.2.4	Arbitration Scheme	725
29.2.5	Interrupts	730
<b>29.3</b>	<b>Register Overview</b>	<b>731</b>
<b>29.4</b>	<b>Programming Model</b>	<b>731</b>
29.4.1	Changing Address Mapping	731
29.4.2	AXI Responses	732

## Chapter 30: XADC Interface

<b>30.1</b>	<b>Introduction</b>	<b>733</b>
30.1.1	Features	734
30.1.2	System Viewpoint	735
30.1.3	PS-XADC Interface Block Diagram	736
30.1.4	Programming Guide	737
<b>30.2</b>	<b>Functional Description</b>	<b>738</b>
30.2.1	Interface Arbiter (PL-JTAG and PS-XADC)	738
30.2.2	Serial Communication Channel (PL-JTAG and PS-XADC)	738
30.2.3	Analog-to-Digital Converter (All)	739
30.2.4	Sensor Alarms (PS-XADC and DRP)	739
<b>30.3</b>	<b>PS-XADC Interface Description</b>	<b>740</b>
30.3.1	Serial Channel Clock Frequency	740
30.3.2	Command and Data Packets	741
30.3.3	Command Format	742
30.3.4	Read Data Format	742
30.3.5	Min/Max Voltage Thresholds	743
30.3.6	Critical Over-temperature Alarm	743
<b>30.4</b>	<b>Programming Guide for the PS-XADC Interface</b>	<b>743</b>
30.4.1	Read and Write to the FIFOs	744
30.4.2	Interrupts	745
30.4.3	Command Preparation	746
30.4.4	Register Overview	746
<b>30.5</b>	<b>Programming Guide for the DRP Interface</b>	<b>747</b>
<b>30.6</b>	<b>Programming Guide for the PL-JTAG Interface</b>	<b>747</b>
<b>30.7</b>	<b>System Functions</b>	<b>747</b>
30.7.1	Clocks	747
30.7.2	Resets	748

## Chapter 31: PCI Express

<b>31.1 Introduction</b> .....	<b>749</b>
<b>31.2 Block Diagram</b> .....	<b>750</b>
<b>31.3 Features</b> .....	<b>750</b>
<b>31.4 Endpoint Use Case</b> .....	<b>751</b>
<b>31.5 Root Complex Use Case</b> .....	<b>751</b>

## Chapter 32: Device Secure Boot

<b>32.1 Introduction</b> .....	<b>753</b>
32.1.1 Block Diagram .....	753
32.1.2 Features .....	753
<b>32.2 Functional Description</b> .....	<b>755</b>
32.2.1 Master Secure Boot .....	755
32.2.2 External Boot Devices .....	757
32.2.3 Secure Boot Image .....	757
32.2.4 eFuse Settings .....	759
32.2.5 RSA Authentication .....	760
32.2.6 Boot Image and Bitstream Encryption .....	761
32.2.7 Boot Image and Bitstream Decryption and Authentication .....	761
32.2.8 HMAC Signature .....	761
32.2.9 AES Key Management .....	761
<b>32.3 Secure Boot Features</b> .....	<b>762</b>
32.3.1 Non-Secure Boot State .....	762
32.3.2 Secure Boot State .....	762
32.3.3 Security Lockdown .....	762
32.3.4 Boot Partition Search .....	763
32.3.5 JTAG and Debug Considerations .....	763
32.3.6 Readback .....	763
32.3.7 Secure Boot Modes of Operation .....	763
<b>32.4 Programming Considerations</b> .....	<b>764</b>

## Appendix A: Additional Resources

<b>A.1 Xilinx Resources</b> .....	<b>765</b>
<b>A.2 Solution Centers</b> .....	<b>766</b>
<b>A.3 References</b> .....	<b>766</b>
A.3.1 Zynq-7000 AP SoC Documents .....	766
A.3.2 PL Documents – Device and Boards .....	766
A.3.3 Advanced eXtensible Interface (AXI) Documents .....	767
A.3.4 Software Documents .....	767
A.3.5 git Information .....	767
A.3.6 Design Tool Documents .....	767
A.3.7 Xilinx Problem Solvers .....	768
A.3.8 Third-Party IP and Standards Documents .....	768

## Appendix B: Register Details

<b>B.1 Overview</b> .....	<b>770</b>
<b>B.2 Acronyms</b> .....	<b>771</b>



<b>B.3</b>	<b>Module Summary</b> . . . . .	<b>772</b>
<b>B.4</b>	<b>AXI_HP Interface (AFI) (axi_hp)</b> . . . . .	<b>774</b>
<b>B.5</b>	<b>CAN Controller (can)</b> . . . . .	<b>784</b>
<b>B.6</b>	<b>DDR Memory Controller (ddrc)</b> . . . . .	<b>824</b>
<b>B.7</b>	<b>CoreSight Cross Trigger Interface (cti)</b> . . . . .	<b>897</b>
<b>B.8</b>	<b>Performance Monitor Unit (cortexa9_pmu)</b> . . . . .	<b>931</b>
<b>B.9</b>	<b>CoreSight Program Trace Macrocell (ptm)</b> . . . . .	<b>941</b>
<b>B.10</b>	<b>Debug Access Port (dap)</b> . . . . .	<b>990</b>
<b>B.11</b>	<b>CoreSight Embedded Trace Buffer (etb)</b> . . . . .	<b>1005</b>
<b>B.12</b>	<b>PL Fabric Trace Monitor (ftm)</b> . . . . .	<b>1025</b>
<b>B.13</b>	<b>CoreSight Trace Funnel (funnel)</b> . . . . .	<b>1046</b>
<b>B.14</b>	<b>CoreSight Instrumentation Trace Macrocell (itm)</b> . . . . .	<b>1060</b>
<b>B.15</b>	<b>CoreSight Trace Packet Output (tpiu)</b> . . . . .	<b>1108</b>
<b>B.16</b>	<b>Device Configuration Interface (devcfg)</b> . . . . .	<b>1129</b>
<b>B.17</b>	<b>DMA Controller (dmac)</b> . . . . .	<b>1155</b>
<b>B.18</b>	<b>Gigabit Ethernet Controller (GEM)</b> . . . . .	<b>1259</b>
<b>B.19</b>	<b>General Purpose I/O (gpio)</b> . . . . .	<b>1336</b>
<b>B.20</b>	<b>Interconnect QoS (qos301)</b> . . . . .	<b>1365</b>
<b>B.21</b>	<b>NIC301 Address Region Control (nic301_addr_region_ctrl_registers)</b> . . . . .	<b>1371</b>
<b>B.22</b>	<b>I2C Controller (IIC)</b> . . . . .	<b>1373</b>
<b>B.23</b>	<b>L2 Cache (L2Cpl310)</b> . . . . .	<b>1384</b>
<b>B.24</b>	<b>Application Processing Unit (mpcore)</b> . . . . .	<b>1423</b>
<b>B.25</b>	<b>On-Chip Memory (ocm)</b> . . . . .	<b>1507</b>
<b>B.26</b>	<b>Quad-SPI Flash Controller (qspi)</b> . . . . .	<b>1511</b>
<b>B.27</b>	<b>SD Controller (sdio)</b> . . . . .	<b>1528</b>
<b>B.28</b>	<b>System Level Control Registers (slcr)</b> . . . . .	<b>1569</b>
<b>B.29</b>	<b>Static Memory Controller (pl353)</b> . . . . .	<b>1714</b>
<b>B.30</b>	<b>SPI Controller (SPI)</b> . . . . .	<b>1741</b>
<b>B.31</b>	<b>System Watchdog Timer (swdt)</b> . . . . .	<b>1753</b>
<b>B.32</b>	<b>Triple Timer Counter (ttc)</b> . . . . .	<b>1757</b>
<b>B.33</b>	<b>UART Controller (UART)</b> . . . . .	<b>1778</b>
<b>B.34</b>	<b>USB Controller (usb)</b> . . . . .	<b>1798</b>

# Introduction

---

## 1.1 Overview

The Zynq®-7000 family is based on the Xilinx® All Programmable SoC (AP SoC) architecture. These products integrate a feature-rich dual-core ARM® Cortex™-A9 MPCore™ based processing system (PS) and Xilinx programmable logic (PL) in a single device, built on a state-of-the-art, high-performance, low-power (HPL), 28 nm, and high-k metal gate (HKMG) process technology. The ARM Cortex-A9 MPCore CPUs are the heart of the PS which also includes on-chip memory, external memory interfaces, and a rich set of I/O peripherals.

The Zynq-7000 family offers the flexibility and scalability of an FPGA, while providing performance, power, and ease of use typically associated with ASIC and ASSPs. The range of devices in the Zynq-7000 AP SoC family enables designers to target cost-sensitive as well as high-performance applications from a single platform using industry-standard tools. While each device in the Zynq-7000 family contains the same PS, the PL and I/O resources vary between the devices. As a result, the Zynq-7000 AP SoC devices are able to serve a wide range of applications including:

- Automotive driver assistance, driver information, and infotainment
- Broadcast camera
- Industrial motor control, industrial networking, and machine vision
- IP and smart camera
- LTE radio and baseband
- Medical diagnostics and imaging
- Multifunction printers
- Video and night vision equipment

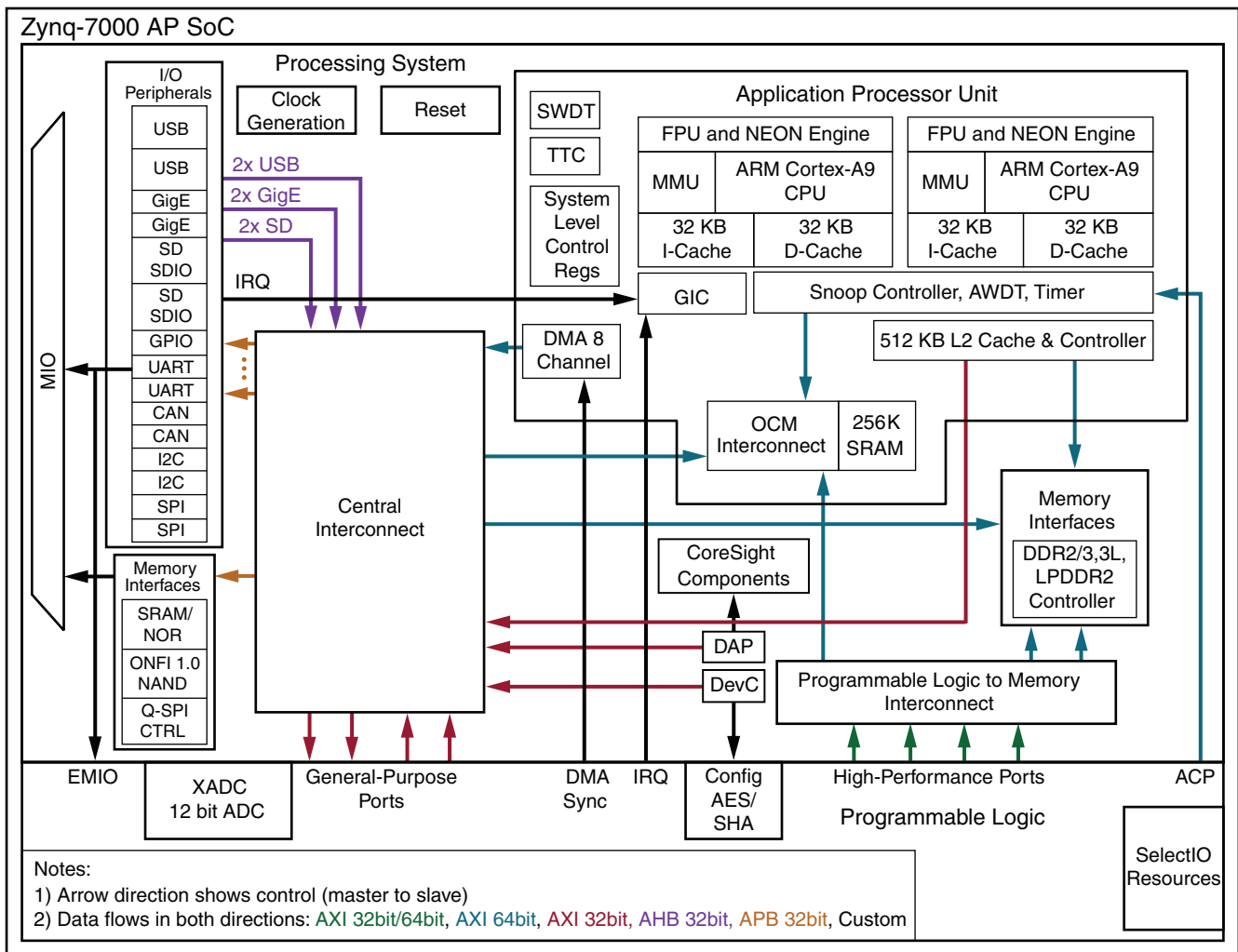
The Zynq-7000 architecture conveniently maps the custom logic and software in the PL and PS respectively. It enables the realization of unique and differentiated system functions. The integration of the PS with the PL provides levels of performance that two-chip solutions (for example, an ASSP with an FPGA) cannot match due to their limited I/O bandwidth, loose-coupling and power budgets.

Xilinx and the Xilinx Alliance partners offer a large number of soft IP modules for the Zynq-7000 family. Stand-alone and Linux device drivers are available for the peripherals in the PS and the PL from Xilinx and additional OSes and board support packages (BSPs) from partners. The award-winning ISE® Design Suite: Embedded Edition development environment enables a rapid product development for software, hardware, and systems engineers. Many third-party software development tools are also available.

The processors in the PS always boot first, allowing a software centric approach for PL system boot and PL configuration. The PL can be configured as part of the boot process or configured at some point in the future. Additionally, the PL can be completely reconfigured or used with partial, dynamic reconfiguration (PR). PR allows configuration of a portion of the PL. This enables optional design changes such as updating coefficients or time-multiplexing of the PL resources by swapping in new algorithms as needed. This latter capability is analogous to the dynamic loading and unloading of software modules. The PL configuration data is referred to as a bitstream.

### 1.1.1 Block Diagram

Figure 1-1 illustrates the functional blocks of the Zynq-7000 AP SoC. The PS and the PL are on separate power domains, enabling the user of these devices to power down the PL for power management if required.



DS190\_01\_030713

Figure 1-1: Zynq-7000 AP SoC Overview

The Zynq-7000 AP SoC is composed of the following major functional blocks:

- Processing System (PS)
  - Application processor unit (APU)
  - Memory interfaces
  - I/O peripherals (IOP)
  - Interconnect
- Programmable Logic (PL)

## 1.1.2 Documentation Resources

Table 1-1 identifies the versions of third-party IP used in the Zynq-7000 AP SoC devices.

Table 1-1: Vendor IP Versions

Unit	Supplier	Version
Cortex-A9 MPCore	ARM	r3p0
AMBA Level 2 Cache Controller (PL310)	ARM	r3p2-50rel0
PrimeCell Static Memory Controller (PL353)	ARM	r2p1
PrimeCell DMA Controller (PL330)	ARM	r1p1
Generic Interrupt Controller (PL390)	ARM	Arch v1.0, r0p0
CoreLink Network Interconnect (NIC-301)	ARM	r2p2
DesignWare Cores IntelliDDR Multi Protocol Memory Controller	Synopsys	A07
USB 2.0 High Speed Atlantic Controller	Synopsys	2.20a
Watchdog Timer	Cadence	Rev 07
Inter Intergrated Circuit	Cadence	r1p10
Gigabit Ethernet MAC	Cadence	r1p23
Serial Peripheral Interface	Cadence	r1p06
Universal Asynchronous Receiver Transmitter	Cadence	r1p08
Triple Timer Counter	Cadence	Rev 06
SD2.0/SDIO2.0/MMC3.31 AHB Host Controller	Arasan	8.9A_apr02nd_2010

The PL is derived from Xilinx 7 series FPGA technology (Artix®-7 for the 7z010/7z015/7z020 and Kintex®-7 for the 7z030/7z045/7z100). The PL is used to extend the functionality to meet specific application requirements. The PL includes many different types of resources including configurable logic blocks (CLBs), port and width configurable block RAM (BRAM), DSP slices with a 25 x 18 multiplier, 48-bit accumulator and pre-adder (DSP48E1), a user configurable analog to digital convertor (XADC), clock management tiles (CMT), a configuration block with 256b AES for decryption and SHA for authentication, configurable SelectIO™ technology and optionally GTP or GTX multi-gigabit transceivers and an integrated PCI Express® (PCIe) block.

To learn more about the PL resources, refer to the following Xilinx 7 series FPGA User Guides:

- UG471, *7 Series FPGAs SelectIO Resources User Guide*
- UG472, *7 Series FPGAs Clocking Resources User Guide*
- UG473, *7 Series FPGAs Memory Resources User Guide*
- UG474, *7 Series FPGAs Configurable Logic Block User Guide*
- UG476, *7 Series FPGAs GTX Transceiver User Guide*
- UG482, *7 Series FPGAs GTP Transceiver User Guide*
- UG477 *7 Series FPGAs Integrated Block v1.3 for PCI Express User Guide*
- UG479, *7 Series FPGAs DSP48E1 User Guide*
- UG480, *7 Series FPGAs XADC User Guide*

The PS and PL can be tightly or loosely coupled using multiple interfaces and other signals that have a combined total of over 3,000 connections. This enables you to effectively integrate user-created hardware accelerators and other functions in the PL logic that are accessible to the processors and can also access memory resources in the processing system.

The PS I/O peripherals, including the static/flash memory interfaces share a multiplexed I/O (MIO) of up to 54 MIO pins. Zynq-7000 AP SoC devices also include the capability to use the I/Os that are part of the PL domain for many of the PS I/O peripherals. This is done through an extended multiplexed I/O interface (EMIO).

The system includes many types of security, test and debug features. The Zynq-7000 AP SoC can be booted securely or non-securely. The PL configuration bitstream can be applied securely or non-securely. Both of these use the 256b triple-des AES decryption and SHA authentication blocks that are part of the PL. Therefore, to use these security features, the PL must be powered on.

The boot process is multi-stage and minimally includes the boot ROM and the first-stage boot loader (FSBL). The Zynq-7000 AP SoC includes a factory-programmed boot ROM that is not user accessible. The boot ROM determines whether the boot is secure or non-secure, performs some initialization of the system and clean-ups, reads the mode pins to determine the primary boot device and finishes once it is satisfied it can execute the FSBL.

After a system reset, the system automatically sequences to initialize the system and process the first stage boot loader from the selected external boot device. The process enables you to configure the AP SoC platform as needed, including the PS and the PL. Optionally, the JTAG interface can be enabled to give the design engineer access to the PS and the PL for test and debug purposes.

Power to the PL can be optionally shut off to reduce power consumption. In addition, the clocks in the PS can be dynamically slowed down or gated off to reduce power further. Zynq-7000 AP SoC devices support the ARM standby mode to obtain minimal power drain, but still are able to start up when certain events occur.

Elements of the Zynq-7000 AP SoC are described from the point of view of the PS. For example, a general purpose slave interface on the PS to the PL means that the master resides in the PL. A high performance slave interface means the high performance master resides in the PL. A general purpose master interface means the PS is the master and the slave resides in the PL.

## 1.1.3 Notices

### Zynq-7000 AP SoC Device Family

The PS structure for all Zynq-7000 AP SoC devices is the same except for the following:

#### 7z010 CLG225 Device

The 7z010 CLG225 device (225 pin package) has a limited number of pins, and that reduces the capability of the MIO, DDR and XADC subsystems.

- 32 MIO pins, see section [2.5.3 MIO Pin Assignment Considerations](#)
- 16 DDR data, see section [10.1.3 Notices](#) in [Chapter 10, DDR Memory Controller](#)
- Four pairs of XADC signals, see [Notices](#) in [Chapter 30, XADC Interface](#)

### Device Revisions

The visual markings are shown in [UG865, Zynq-7000 All Programmable SoC Packaging and Pinout Advance Product Specification](#).

Software can read the following registers in all Zynq-7000 AP SoC devices to determine silicon revision:

- devcfg.MCTRL [PS\_VERSION]
- slcr.PSS\_IDCODE[IDCODE]

The JTAG interface also includes the IDCODE revision content.

### TrustZone Capabilities

TrustZone is hardware that is built into all Zynq-7000 AP SoC devices. For more information, see [UG1019, Programming ARM TrustZone Architecture on the Xilinx Zynq-7000 All Programmable Soc](#).

## 1.2 Processing System (PS) Features and Descriptions

### 1.2.1 Application Processor Unit (APU)

The application processor unit (APU) provides an extensive offering of high-performance features and standards-compliant capabilities.

#### Dual ARM Cortex-A9 MPCore CPUs with ARM v7

- Run time options allow single processor, asymmetrical (AMP) or symmetrical multiprocessing (SMP) configurations
- ARM version 7 ISA: standard ARM instruction set and Thumb®-2, Jazelle® RCT and Jazelle DBX Java™ acceleration
- NEON™ 128b SIMD coprocessor and VFPv3 per MPCore
- 32 KB instruction and 32 KB data L1 caches with parity per MPCore
- 512 KB of shareable L2 cache with parity
- Private timers and watchdog timers

#### System Features

- System-Level Control Registers (SLCRs)
  - A group of various registers that are used to control the PS behavior
  - The register map is located in [Chapter 4, System Addresses](#)
  - The SLCR registers related to a specific chapter are listed in the register overview table of that chapter and detailed in [Appendix B, Register Details](#)
- Snoop control unit (SCU) to maintain L1 and L2 coherency
- Accelerator coherency port (ACP) from PL (master) to PS (slave)
  - 64b AXI slave port
  - Can access the L2 and the OCM
  - Transactions are data coherent with L1 and L2 caches
- 256 KB of on-chip SRAM (OCM) with parity
  - Dual ported
  - Accessible by the CPUs, PL and central interconnect
  - At level of L2, but is not cacheable
- DMA controller
  - Four channels for PS (memory copy to/from any memory in system)
  - Four channels for PL (memory to PL, PL to memory)

- General interrupt controller (GIC)
  - Individual interrupt masks and interrupt prioritization
  - Five CPU-private peripheral interrupts (PPI)
  - Sixteen CPU-private software generated interrupts (SGI)
  - Distributes shared peripheral interrupts (SPI) from the rest of the system, PS and PL
    - 20 from the PL
  - Wait for interrupt (WFI) and wait for event (WFE) signals from CPU sent to PL
  - Enhanced security features to support TrustZone™ technology
- Watchdog timer, triple counter/timer

## 1.2.2 Memory Interfaces

The memory interfaces includes multiple memory technologies.

### DDR Controller

- Supports DDR3, DDR3L, DDR2, LPDDR-2
  - Rate is determined by speed and temperature grade of the device
- 16b or 32b wide
  - ECC on 16b
- Uses up to 73 dedicated PS pins
- Modules (no DIMMs)
  - 32b wide: 4 x 8b, 2 x 16b, 1 x 32b
  - 16b wide: 2 x 8b, 1 x 16b
- Autonomous DDR power down entry and exit based on programmable idle periods
- Data read strobe auto-calibration
- Write data byte enables supported for each data beat
- Low latency read mechanism using HPR queue
- Special urgent signaling to each port
- TrustZone regions programmable on 64 MB boundaries
- Exclusive accesses for two different IDs per port (locked transactions are not supported)

### DDR Controller Core and Transaction Scheduler

- Transaction scheduling is done to optimize data bandwidth and latency
- Advanced re-ordering engine to maximize memory access efficiency with target of 90% efficiency with continuous read and write and 80% efficiency with random read and write
- Write-read address collision checking that flushes the write buffer
- Obeys AXI ordering rules



## Quad-SPI Controller

Key features of the linear Quad-SPI controller (which can be a primary boot device) are:

- Single or dual
- 1x and 2x read support
- 32-bit APB 3.0 interface for I/O mode that allows full device operations including program, read and configuration
- 32-bit AXI linear address mapping interface for read operations
- Single device select line support
- Supports write protection signal
- 4-bit bidirectional I/O signals
- Read speed of x1, x2 and x4
- Write speed of x1 and x4
- Maximum Quad-SPI clock at master mode is 100 MHz
- 252-byte entry FIFO depth to improve Quad-SPI read efficiency
- Supports Quad-SPI device up to 128 Mb density in I/O and linear mode. >128Mb devices are supported in IO mode only.
- Supports dual Quad-SPI with two quad-SPI devices in parallel

In addition, the linear address mapping mode features include:

- Supports regular read-only memory access through the AXI interface
- Up to two SPI flash memories
- Up to 16 MB addressing space for one memory and 32 MB for two memories in linear mode
- AXI read acceptance capability of 4
- Both AXI incrementing and wrapping-address burst read
- Automatically converts normal memory read operation to SPI protocol, and vice versa
- Serial, Dual and Quad-SPI modes

## Static Memory Controller (SMC)

Either of the following can be the primary boot device:

- NAND controller
  - 8/16-bit I/O width with one chip select signal
  - ONFI specification 1.0
  - 16-word read and 16-word write data FIFOs
  - 8-word command FIFO
  - Programmable I/O cycle timing
  - ECC assist

- Asynchronous memory operating mode
- Parallel SRAM/NOR controller
  - 8-bit data bus width
  - One chip select with up to 26 address signals (64 MB)
  - Two chip selects with up to 25 address signals (32 MB + 32 MB)
  - 16-word read and 16-word write data FIFOs
  - 8-word command FIFO
  - Programmable I/O cycle timing on a per chip select basis
  - Asynchronous memory operating mode

### 1.2.3 I/O Peripherals

The I/O Peripherals (IOP) are a collection of industry-standard interfaces for external data communication:

#### GPIO

- Up to 54 GPIO signals for device pins routed through the MIO
  - Outputs are 3-state capable
- 192 GPIO signals between the PS and PL via the EMIO
  - 64 Inputs, 128 outputs (64 true outputs and 64 output enables)
- The function of each GPIO can be dynamically programmed on an individual or group basis
  - Enable, bit or bank data write, output enable and direction controls
- Programmable Interrupts on individual GPIO basis
  - Status read of raw and masked interrupt
  - Positive edge, negative edge, either edge, high level, low level sensitivities

#### Gigabit Ethernet Controllers (Two)

- RGMII interface using MIO pins and external PHY
- Additional interface using PL SelectIO and external PHY with additional soft IP in the PL
- SGMII interface using PL GTP or GTX transceivers
- Built-in DMA with scatter-gather
- IEEE 802.3-2008 and IEEE 1588 revision 2.0
- Wake-on capability

#### USB Controllers: Each as Host, Device or OTG (Two)

- USB 2.0 high speed on-the-go (OTG) dual role USB host controller or USB device controller operation using the same hardware

- MIO pins only (one USB controller is available in the 7x010 device)
- Built-in DMA
- USB 2.0 high speed device
- USB 2.0 high speed host controller
- The USB host controller registers and data structures are EHCI compatible
- Direct support for USB transceiver low pin interface (ULPI). The ULPI module supports 8 bits
- External PHY required
- Support up to 12 endpoints

### **SD/SDIO Controllers (Two)**

- Bootable SD Card mode (option)
- Built-in DMA
- Host mode support only
- Support for version 2.0 of SD specification
- Full speed and low speed support
- 1-bit and 4-bit data interface support
- Low speed clock 0–400 kHz
- Support for high speed interface
- Full speed clock 0-50 MHz with maximum throughput at 25 MB/s
- Support for memory, I/O, and combination cards
- Support for power control modes
- Support for interrupts
- 1 KB Data FIFO interface

### **SPI Controllers (Two): Master or Slave**

- Four wire bus: MOSI, MISO, SCLK, SS
- Full-duplex operation offers simultaneous receive and transmit
- Master mode
  - Manual or auto start transmission of data
  - Manual or auto slave select (SS) mode
  - Supports up to three slave select lines
  - Allows the use of an external peripheral select 3-to-8 decode
  - Programmable delays for data transmission
- Slave mode
  - Programmable start detection mode
- Multi-master environment

- Drives into 3-state if not enabled
- Identifies an error condition if more than one master detected
- Supports 50 MHz maximum external SPI clock rate through MIO
  - 25 MHz maximum through EMIO to PL SelectIO pins
- Selectable master clock reference
- Programmable master baud rate divisor
- Supports 128-byte read and 128-byte write FIFOs
  - Each FIFO is 8-bit wide
- Programmable FIFO thresholds
- Supports programmable clock phase and polarity
- Supports manual or auto start transmission of data
- Software can poll for status or function as interrupt-driven
- Programmable interrupt generation

### **CAN Controllers (Two)**

- Conforms to the ISO 11898 -1, CAN 2.0A, and CAN 2.0B standards
- Supports both standard (11-bit identifier) and extended (29-bit identifier) frames
- Supports bit rates up to 1 Mb/s
- Transmit message FIFO with a depth of 64 messages
- Transmit prioritization through one high-priority transmit buffer
- Support of watermark interrupts for TxFIFO and RxFIFO
- Automatic re-transmission on errors or arbitration loss in normal mode
- Receive message FIFO with a depth of 64 messages
- Acceptance filtering of four acceptance filters
- Sleep mode with automatic wake-up
- Snoop mode
- Loopback mode for diagnostic applications
- Maskable error and status interrupts
- 16-bit time stamping for receive messages
- Readable error counters

### **UART Controllers (Two)**

- Programmable baud rate generator
- 64-byte receive and transmit FIFOs
- 6, 7, or 8 data bits
- 1, 1.5, or 2 stop bits

- Odd, even, space, mark, or no parity
- Parity, framing and overrun error detection
- Line-break generation and detection
- Automatic echo, local loopback, and remote loopback channel modes
- Interrupts generation
- Rx and Tx signals are on the MIO and EMIO interfaces
- Modem control signals: CTS, RTS, DSR, DTR, RI, and DCD are available on the EMIO interface

## I2C Controllers (two)

- Supports 16-byte FIFO
- I2C bus specification version 2
- Programmable normal and fast bus data rates
- Master mode
  - Write transfer
  - Read transfer
  - Extended address support
  - Support HOLD for slow processor service
  - Supports TO interrupt flag to avoid stall condition
- Slave monitor mode
- Slave mode
  - Slave transmitter
  - Slave receiver
  - Extended address support
  - Fully programmable slave response address
  - Supports HOLD to prevent overflow condition
  - Supports TO interrupt flag to avoid stall condition
- Software can poll for status or function as interrupt-driven device
- Programmable interrupt generation

## PS MIO I/Os

The PS MIO I/O buffers are split into two voltage domains. Within each domain, each MIO is independently programmable.

- Two I/O voltage banks
  - Bank 0 voltage bank consists of pins 0:15
  - Bank 1 voltage bank consists of pins 16:53
- MIO voltage levels can be programmed per bank.

- 1.8 and 2.5/3.3 volts
- CMOS single ended or HSTL differential receiver mode

---

## 1.3 Programmable Logic Features and Descriptions

The PL provides a rich architecture of user-configurable capabilities.

- Configurable logic blocks (CLB)
  - 6-input look-up tables (LUTs)
  - Memory capability within the LUT
  - Register and shift register functionality
  - Cascadeable adders
- 36 Kb block RAM
  - Dual port
  - Up to 72-bits wide
  - Configurable as dual 18 Kb
  - Programmable FIFO logic
  - Built-in error correction circuitry
- Digital signal processing — DSP48E1 Slice
  - 25 × 18 two's complement multiplier/accumulator high-resolution (48 bit) signal processor
  - Power saving 25-bit pre-adder to optimize symmetrical filter applications
  - Advanced features: optional pipelining, optional ALU, and dedicated buses for cascading
- Clock management
  - High-speed buffers and routing for low-skew clock distribution
  - Frequency synthesis and phase shifting
  - Low-jitter clock generation and jitter filtering
- Configurable I/Os
  - High-performance SelectIO technology
  - High-frequency decoupling capacitors within the package for enhanced signal integrity
  - Digitally controlled impedance that can be 3-stated for lowest power, high-speed I/O operation
  - High range (HR) I/Os support 1.2V to 3.3V
  - High performance (HP) I/Os support 1.2V to 1.8V (7z030, 7z045, and 7z100 devices)
- Low-power gigabit transceivers (7z015, 7z030, 7z045, and 7z100 devices)
  - High-performance transceivers capable of up to 12.5 Gb/s (GTX) in 7z030, 7z045 and 7z100 devices
  - High-performance transceivers capable of up to 6.25 Gb/s (GTP) in 7z015

- Low-power mode optimized for chip-to-chip interfaces
- Advanced transmit pre- and post-emphasis, and receiver linear (CTLE) and decision feedback equalization (DFE), including adaptive equalization for additional margin
- Analog-to-digital converter (XADC)
  - Dual 12-bit 1 MSPS analog-to-digital converters (ADCs)
  - Up to 17 flexible and user-configurable analog inputs
  - On-chip or external reference option
  - On-chip temperature and power supply sensors
  - Continuous JTAG access to ADC measurements
- Integrated interface blocks for PCI Express designs (7z015, 7z030, 7z045, and 7z100 devices)
  - Compatible to the PCI Express base specification 2.1 with Endpoint and Root Port capability
  - Supports Gen1 (2.5 Gb/s) and Gen2 (5.0 Gb/s) speeds
  - Advanced configuration options, advanced error reporting (AER), and end-to-end CRC (ECRC) advanced error reporting and ECRC features

---

## 1.4 Interconnect Features and Description

Zynq-7000 AP SoC devices uses several interconnect technologies, optimized to the specific communication needs of the functional blocks. For more information, refer to the block diagram in [Figure 1-1](#) or a more detailed diagram in [Figure 5-1](#).

### 1.4.1 PS Interconnect Based on AXI High Performance Datapath Switches

- OCM interconnect
  - Provides access to the 256 KB memory from the central interconnect and the PL
  - CPUs and ACP interfaces have the lowest latency access to OCM through the SCU
- Central interconnect
  - The central interconnect is 64 bits, connecting the IOP and DMA controller to the DDR memory controller, on-chip RAM, and the AXI\_GP interfaces (through their switches) for the PL logic
  - Connects the local DMA units in the Ethernet, USB and SD/SDIO controllers to the central interconnect
  - Connects masters in the PS to the IOP

### 1.4.2 PS-PL Interfaces

The PS-PL interface contains all the signals available to the PL designer for integrating the PL-based functions and the PS. There are two types of interfaces between the PL and the PS.

1. Functional interfaces which include AXI interconnect, extended MIO interfaces (EMIO) for most of the I/O peripherals, interrupts, DMA flow control, clocks, and debug interfaces. These signals are available for connecting with user-designed IP blocks in the PL.
2. Configuration signals which include the processor configuration access port (PCAP), configuration status, single event upset (SEU) and Program/Done/Init. These signals are connected to fixed logic within the PL configuration block, providing PS control.

AXI functional interfaces:

- AXI\_ACP
  - One 64-bit cache coherent master port in the PL
  - Connects to the snoop control unit for cache coherency between the CPUs and the PL
- AXI\_HP, four high performance/bandwidth master ports in the PL
  - 32-bit or 64-bit data master interfaces (independently programmed)
  - Efficient resizing in 32-bit slave interface configuration mode
  - Efficient upsizing to 64-bits for aligned 32-bit transfers in 32-bit slave interface configuration mode
  - Automatic expansion to 64 bits for unaligned 32-bit transfers in 32-bit slave interface configuration mode
  - Dynamic command upsizing translation between 32-bit and 64-bit interfaces, controllable through AxCACHE[1]
  - Separate R/W programmable issuing capability for read and write commands
  - Programmable release threshold of write commands
  - Asynchronous clock frequency domain crossing for all AXI interfaces between the PL and PS
  - Smoothing out of “long-latency” transfers using 1 KB (128 by 64 bits) data FIFOs for both reads and writes
  - QoS signaling available from PL ports
  - Command and data FIFO fill-level counts available to the PL
  - Standard AXI 3.0 interfaces supported
  - Large slave interface read acceptance capability in the range of 14 to 70 commands (burst length dependent)
  - Large slave interface write acceptance capability in the range of 8 to 32 commands (burst length dependent)
- AXI\_GP, four general purpose ports
  - Two, 32-bit master interfaces
  - Two, 32-bit slave interfaces
  - Asynchronous clock frequency domain crossing for all AXI interfaces between the PL and PS
  - Standard AXI 3.0 interfaces supported



## 1.5 System Software

Xilinx provides device drivers for all of the I/O peripherals. These device drivers are provided in source format and support bare-metal or stand-alone and Linux. An example first-stage boot loader (FSBL) is also provided in source code format. The source drivers for stand-alone and FSBL are provided as part of the Xilinx IDE Design Suite Embedded Edition. The Linux drivers are provided through the Xilinx Open Source Wiki at [wiki.xilinx.com](http://wiki.xilinx.com)

Refer to [UG821](#), *Zynq-7000 Software Developers Guide* for additional information.

In addition, Xilinx Alliance Program partners provide system software solutions for IP, middleware, operation systems, etc. Refer to the Zynq-7000 landing page at [www.xilinx.com/zynq](http://www.xilinx.com/zynq) for the latest information.

# Signals, Interfaces, and Pins

---

## 2.1 Introduction

This chapter identifies the user visible signals and interfaces in Zynq-7000 AP SoC devices. The interfaces and signals are organized into major groups as shown in [Figure 2-1](#). The Zynq-7000 AP SoC devices consist of a Processing System (PS) with a Xilinx Artix™-7 or Kintex™-7 based Programmable Logic (PL) block.

### 2.1.1 Notices

#### 7z010 CLG225 Device

This device supports 32 MIO pins and at most one Ethernet interface through the MIO pins. This is shown in the MIO table in [2.5.4 MIO-at-a-Glance Table](#). One or both of the Ethernet controllers can interface to logic in the PL.

#### PS-PL Voltage Level Shifters

All of the signals and interfaces that go between the PS and PL traverse a voltage boundary. These input and output signals are routed through voltage level shifters that must be enabled and disabled during the power-up and power-down sequences of the PL. For more information on the voltage level shifters, refer to section [2.4 PS-PL Voltage Level Shifter Enables](#).

#### Pin Timing and Voltage Specifications

Refer to the Zynq-7000 AP SoC Data Sheet for timing and pin voltage information.

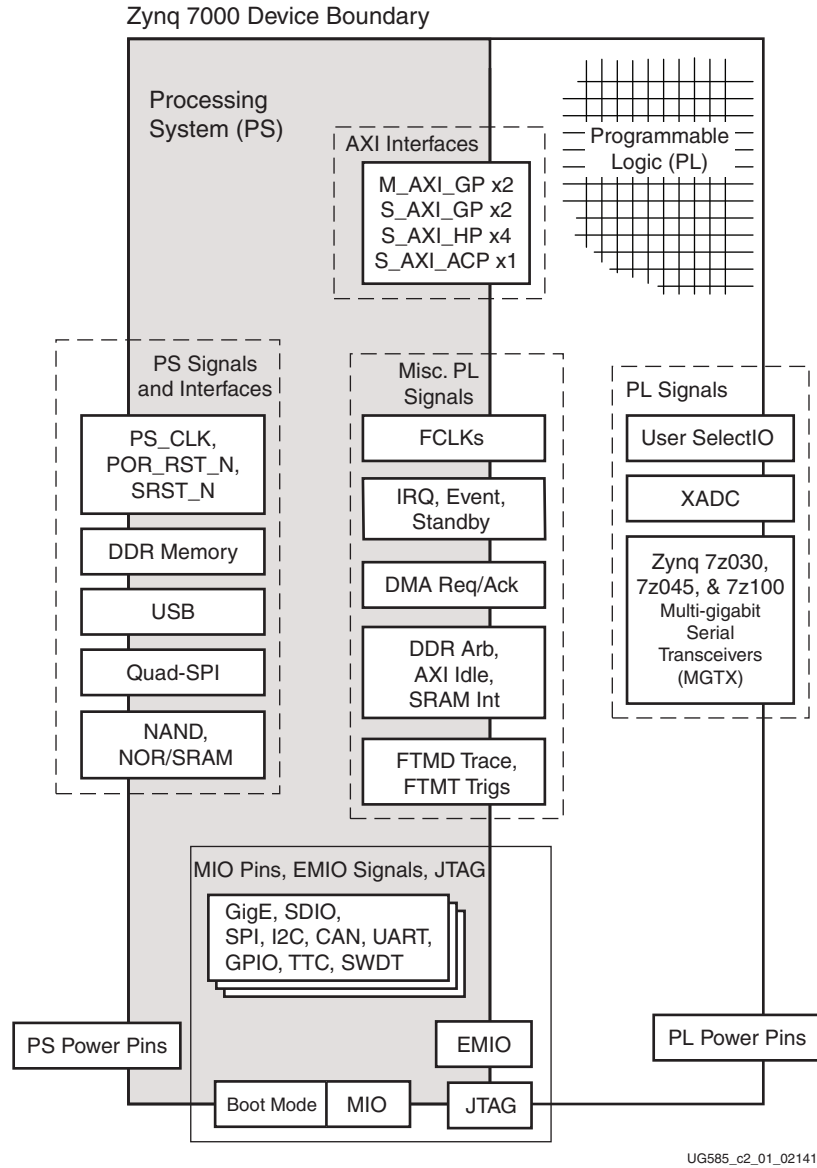


Figure 2-1: Signals, Interfaces, and Pins

## 2.2 Power Pins

The PS and PL power supplies are fully independent, however the PS power supply must be present whenever the PL power supply is active. The PS includes an independent power supply for the DDR I/O and two independent voltage banks for MIO. The power pins are summarized in [Table 2-1](#). The voltage sequencing and electrical specifications are shown in the applicable Zynq-7000 AP SoC data sheet. Also refer to the Zynq-7000 AP SoC packaging and pin documents for more information.

Table 2-1: Power Pins

Type	Pin Name	Nominal Voltage	Power Pin Description
PS Power	V <sub>CCPINT</sub>	1.0V	Internal logic
	V <sub>CCPAUX</sub>	1.8V	I/O buffer pre-driver
	V <sub>CCO_DDR</sub>	1.2V to 1.8V	DDR memory interface
	V <sub>CCO_MIO0</sub>	1.8V to 3.3V	MIO bank 0, pins 0:15
	V <sub>CCO_MIO1</sub>	1.8V to 3.3V	MIO bank 1, pins 16:53
	V <sub>CCPLL</sub>	1.8V	Three PLL clocks, analog
PL Power	V <sub>CCINT</sub>	1.0V	Internal core logic
	V <sub>CCAUX</sub>	1.8V	I/O buffer pre-driver
	V <sub>CCO_#</sub>	1.8V to 3.3V	I/O buffers drivers (per bank)
	V <sub>CC_BATT</sub>	1.5V	PL decryption key memory backup
	V <sub>CCBRAM</sub>	1.0V	PL block RAM
	V <sub>CCAUX_IO_G#</sub>	1.8V to 2.0V	PL auxiliary I/O circuits
XADC	V <sub>CCADC</sub> , G <sub>NDADC</sub>	N/A	Analog power and ground.
Ground	GND	Ground	Digital and analog grounds

## 2.3 PS I/O Pins

A summary of the dedicated PS signal pins is shown in [Table 2-2](#).



**CAUTION!** For MIO pins, the allowable  $V_{in}$  High level voltage depends on the settings of the `slcr.MIO_PIN_xx [IO_Type]` and `[DisableRcvr]` bits. These restrictions and the restrictions for all I/O pins are defined in the Zynq-7000 AP SoC data sheets. Damage to the input buffer can occur when the limits are exceeded.

Table 2-2: PS Signal Pins

Group	Name	Type	Zynq-7000 Family Pin Count	7z010 CLG225 Pin Count	Voltage Node	Description
Clock	PS_CLK	I	1	1	V <sub>CCO_MIO0</sub>	System reference clock. See <a href="#">Chapter 25, Clocks</a> .
Reset	PS_POR_B	I	1	1	V <sub>CCO_MIO0</sub>	Power on reset, active low. See <a href="#">Chapter 26, Reset System</a> .
	PS_SRST_B	I	1	1	V <sub>CCO_MIO1</sub>	Debug system reset, active Low. Forces the system to enter a reset sequence. See <a href="#">Chapter 26, Reset System</a> .
MIO	PS_MIO[15:0]	I/O	16	16	V <sub>CCO_MIO0</sub>	Refer to section <a href="#">2.5 PS-PL MIO-EMIO Signals and Interfaces</a> and <a href="#">UG865, Zynq-7000 AP SoC Package and Pinout Guide</a> .
	PS_MIO[53:16]	I/O	38	16	V <sub>CCO_MIO1</sub>	
	PS_MIO_VREF	Ref	1	0	V <sub>CCO_MIO1</sub>	Voltage reference for RGMII input receivers, refer to <a href="#">UG933, Zynq-7000 AP SoC PCB Design and Pin Planning Guide</a> .
DDR	PS_DDR_XXX	I/O	73	51	V <sub>CCO_DDR</sub>	See <a href="#">Chapter 10, DDR Memory Controller</a> .
	PS_DDR_VR[N,P]	N/A	2	1	~	DDR DCI voltage reference pins, refer to <a href="#">UG933, Zynq-7000 AP SoC PCB Design and Pin Planning Guide</a> .
	PS_DDR_VREF	Ref	4	4	~	Voltage reference for DDR DQ and DQS differential input receivers, refer to <a href="#">UG933, Zynq-7000 AP SoC PCB Design and Pin Planning Guide</a> .

### 7z010 CLG225 Device Notice

The 7z010 CLG225 device has fewer pins than the other Zynq-7000 AP SoC devices as shown in [Table 2-2](#). Details for DDR and MIO pins can be found in [Chapter 10, DDR Memory Controller](#) and section [2.5.3 MIO Pin Assignment Considerations](#), respectively. There is more information about the 7z010 CLG225 device in section [1.1.3 Notices](#).

## 2.4 PS–PL Voltage Level Shifter Enables

All of the signals and interfaces that go between the PS and PL traverse a voltage boundary. These input and output signals are routed through voltage level shifters. The majority of the voltage level shifters are enabled by the `slcr.LVL_SHFTR_EN` register. The voltage level shifter enables for some PS-PL traversing signals are controlled with the PL power state. These include signals for the XADC, PL, and EMIO JTAGs; the PCAP interface; and other modules.

The enabling and disabling of the voltage level shifters must be managed during the PL power-up and power-down sequences to avoid extraneous logic level transitions on the input signals to the PS modules. Disable the voltage level shifters before the PL is powered down. Similarly, enable the level shifters after the PL is powered up and before the signals are used. The PS must be powered on to program the logic in the PL.

### Example: Power-up Sequence

1. **Power-up the PL.** Refer to the data sheet for voltage sequencing requirements. The `slcr.LVL_SHFTR_EN` register should be equal to `0x0`.
2. **Enable the PS-to-PL level shifters.** Write `0x0A` to the `slcr.LVL_SHFTR_EN` register.
3. **Program the PL.**
4. **Wait for the PL to be programmed.** Read `devcfg.INT_STS [PCFG_DONE_INT]` until = 1 to indicate that the DONE signals has asserted.
5. **Enable the PL-to-PS level shifters.** Write `0x0F` to the `slcr.LVL_SHFTR_EN` register.
6. **Begin to use the signals and interfaces between the PS and PL.**

### Example: Power-down Sequence

1. **Stop using the signals and interfaces between the PS and PL.**
2. **Disable the voltage level shifters.** Write `0x0` to the `slcr.LVL_SHFTR_EN` register.
3. **Power-down the PL.** Refer to the data sheet for voltage sequencing requirements.
4. **Leave the `slcr.LVL_SHFTR_EN` register = `0x0` when the PL is powered down.**



**TIP:** Functionally, there is no reason to enable the voltage level shifters until the PL is fully configured. The PS does not allow the voltage level shifters to be enabled until the PL global signals indicate that it is safe to do so. The PL is fully programmed when the PL DONE signal is High. The PL DONE signal is tracked as an interrupt in the DevC subsystem.

## 2.5 PS-PL MIO-EMIO Signals and Interfaces

The MIO is fundamental to the I/O peripheral connections due to the limited number of MIO pins. Software programs the routing of the I/O signals to the MIO pins. The I/O peripheral signals can also be routed to the PL (including PL device pins) through the EMIO interface. This is useful to gain access to more device pins (PL pins) and to allow an I/O peripheral controller to interface to user logic in the PL. See [Figure 2-2](#).

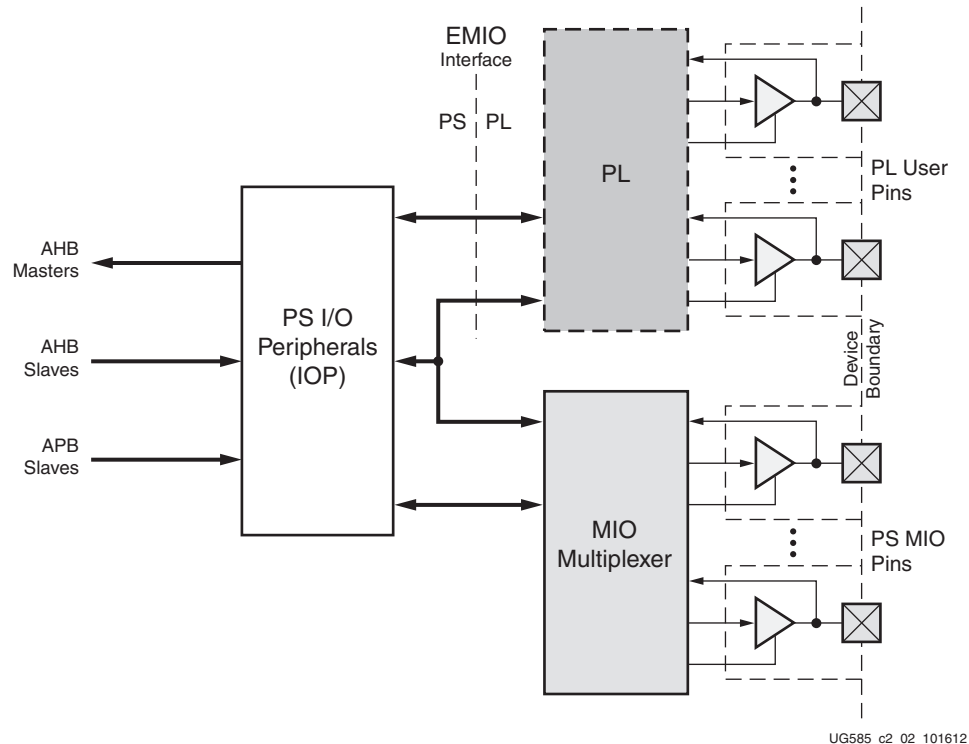


Figure 2-2: MIO-EMIO Overview

### 2.5.1 I/O Peripheral (IOP) Interface Routing

The I/O multiplexing of the I/O controller signals differs; that is, some IOP signals are solely available on the MIO pin interface, some signals are available via MIO or EMIO, and some of the interface signals are only accessible via EMIO. Some of the routing capabilities for each I/O peripheral are shown in [Table 2-3](#). The details for each IOP are included in the chapter that describes the IOP. MIO pin assignment possibilities are illustrated in section [2.5.4 MIO-at-a-Glance Table](#).

**Note:** The routing of the IOP interface I/O signals must be done as a group; that is, the signals must not be split and routed to different MIO pin groups. For example, if the SPI 0 CLK is routed to MIO pin 40, then the other signals of the SPI 0 interface must be routed to MIO pins 41 to 45. Similarly, the signals within an IOP interface must not be split between MIO and EMIO. However, unused signals within an IOP interface do not necessarily need to be routed. Unused signals can be configured as a GPIO.

Table 2-3: I/O Peripheral MIO-EMIO Interface Routing

Peripheral	MIO Routing	EMIO Routing	Cross Reference
TTC [0,1]	Clock In, Wave Out. One pair of signals from each counter.	Clock In, Wave Out. Three pairs of signals from each counter.	See <a href="#">Chapter 8, Timers</a>
SWDT	Clock In, Reset Out	Clock In, Reset Out	See <a href="#">Chapter 8, Timers</a>
SMC	Parallel NOR/SRAM and NAND Flash	Not available	See <a href="#">Chapter 11, Static Memory Controller</a>
Quad-SPI [0,1]	Serial, dual and quad modes	Not available	See <a href="#">Chapter 12, Quad-SPI Flash Controller</a>
SDIO [0,1]	50 MHz	25 MHz	See <a href="#">Chapter 13, SD/SDIO Controller</a>
GPIOs	Up to 54 I/O channels (GPIO Banks 0 and 1)	64 GPIO channels with input, output, 3-state control (GPIO banks 2 and 3)	See <a href="#">Chapter 14, General Purpose I/O (GPIO)</a>
USB [0,1]	Host, device, and OTG	Not available	See <a href="#">Chapter 15, USB Host, Device, and OTG Controller</a>
Ethernet [0,1]	RGMII v2.0	MII/GMII <sup>(1)</sup>	See <a href="#">Chapter 16, Gigabit Ethernet Controller</a>
SPI [0,1]	50 MHz	Available	See <a href="#">Chapter 17, SPI Controller</a>
CAN [0,1]	ISO 11898 -1, CAN 2.0A/B	Available	See <a href="#">Chapter 18, CAN Controller</a>
UART [0,1]	Simple UART: Two pins (TX/RX)	TX, RX, DTR, DCD, DSR, RI, RTS and CTS	See <a href="#">Chapter 19, UART Controller</a>
I2C [0,1]	SCL, SDA {0, 1}	SCL, SDA {0, 1}	See <a href="#">Chapter 20, I2C Controller</a>
PJTAG	TCK, TMS, TDI, TDO	TCK, TMS, TDI, TDO, 3-state for TDO	See <a href="#">Chapter 27, JTAG and DAP Subsystem</a>
Trace Port IU	Up to 16-bit data	Up to 32-bit data	See <a href="#">Chapter 28, System Test and Debug</a>

**Notes:**

1. When the Ethernet MII/GMII interface is routed through EMIO, other MII interfaces (e.g., RMII, RGMII, and SGMII) can be derived using appropriate shim logic in the PL that attaches to PL pins.

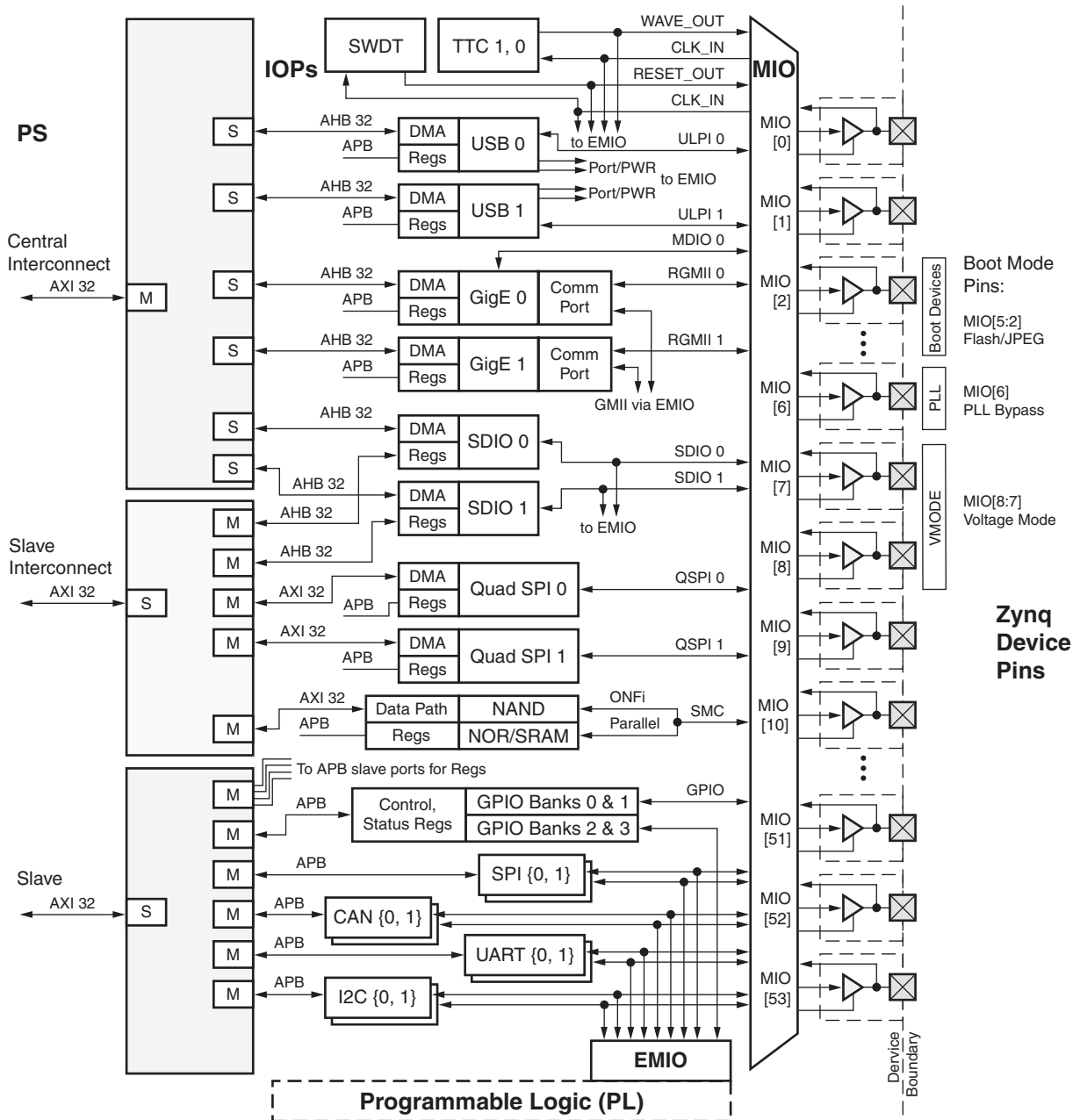
## 2.5.2 IOP Interface Connections

For most peripherals, there is flexibility in where the I/O signals can be mapped. The routing capabilities are shown in [Figure 2-4](#). For example, the XPS design software includes up to 12 possible MIO port mappings for CAN, or, if selected, a path to the EMIO interface. The peripheral system connection diagram is shown in [Figure 2-3](#).

The majority of the I/O signals for PS peripherals, other than USB, can be routed to either the PS pins through the MIO, or to the PL pins through the EMIO. Most peripherals also maintain the same protocol between MIO and EMIO, except Gigabit Ethernet. To reduce pin count, a 4-bit RGMII interface runs through the MIO at a 250 MHz data rate (125 MHz clock with a double data rate). The route through the EMIO includes an 8-bit GMII interface running at a 125 MHz data rate. The USB, Quad-SPI, and SMC interfaces are not available to the EMIO interface to the PL.



On the interconnect side, the USB, Ethernet and SDIO peripherals are connected to the central interconnect to service the six DMA masters. Software accesses the slave-only Quad-SPI and SMC peripherals via the AHB interconnect. The GPIO, SPI, CAN, UART, and I2C slave-only controllers are accessed via the APB bus. All control and status registers are also accessed via the APB interconnect except for the SDIO controllers which each have two AHB interfaces. This architecture is designed to balance the bandwidth needs of each controller interface.



UG585\_c2\_03\_121613

Figure 2-3: I/O Peripherals System Diagram

## 2.5.3 MIO Pin Assignment Considerations

Normally, each pin is assigned to one function. One exception to this is the dual use boot mode strapping resistors (MIO [2:8]).



---

**IMPORTANT:** *There are several important MIO pin assignment considerations. The MIO-at-a-Glance table, the interface routing table, and these pin assignment considerations are helpful when doing pin planning.*

---

**Interface Frequencies:** The clocking frequency for an interface usually depends on device speed grade and whether the interface is routed via MIO or EMIO. The possible routing paths for each interface are listed in [Table 2-3, page 48](#). The maximum clock frequency that can be used for each speed grade and routing path are defined in the Zynq-7000 AP SoC data sheets.

**Two MIO Voltage Banks:** The MIO pins are split across two independently configured sets of I/O buffers: Bank 0, MIO[15:0] and Bank 1, MIO[53:16]. The signalling voltage is initially configured using the VMODE boot mode strapping pins. Each bank can be configured for 1.8V signalling or 2.5V/3.3V.

**Boot Mode Strapping Pins:** These pins can be assigned to I/O peripherals in addition to functioning as boot mode pins. MIO pins [8:2], define the boot device, the initial PLL clock bypass mode, and the voltage mode (VMODE) for the MIO banks. The strapping pins are sampled a few PS\_CLK clock cycles after the PS\_POR\_B reset signal de-asserts. The board design ties these signals to VCC or ground using 20 K $\Omega$  pull-up and pull-down resistors. More information about the boot mode pin settings is provided in [Chapter 6, Boot and Configuration](#).

**I/O Buffer Output Enable Control:** The output enable for each MIO I/O buffer is controlled by a combination of the setting of the three-state override control bit, the selected signal type (input-only or not), and the state of the peripheral controller. The three-state override bit can be controlled from either of two places: the slcr.MIO\_PIN\_xx [TRI\_ENABLE] register bit or the slcr.MIO\_MST\_TRI register bits. These bits control the same flip-flop to help control the three-state signal of the I/O buffer. The I/O buffer output is enabled when the three-state override control bit = 0 and either the signal is an output-only or the I/O peripheral desires to drive a signal that is configured as I/O.

**Boot from SD Card:** The BootROM expects the SD card to be connected to MIO pins 40 through 45 (SDIO 0 interface).

**Static Memory Controller (SMC) Interface:** Only one SMC memory interface can be used in a design. The SMC controller consumes many of the MIO pins and neither of the SMC memory interfaces can be routed to the EMIO.

For example, if an 8-bit NAND Flash is implemented, then Quad-SPI, is not available and the test port is limited to 8-bits. If a 16-bit NAND Flash is implemented, then additional pins are consumed. Ethernet 0 is not available. The SRAM/NOR interface consumes up to 70% of the MIO pins, eliminating Ethernet and USB 0.

The SRAM/NOR upper address pins are optional, as appropriate for the attached device. Also note that the SMC interface straddles the two MIO voltage banks.

**Quad-SPI Interface:** The lower memory Quad-SPI interface (QSPI\_0) must be used if the Quad-SPI memory subsystem is to be used. The upper interface (QSPI\_1) is optional and is only used for a two-memory arrangement (parallel or stacked). Do not use the Quad-SPI 1 interface alone.

**MIO Pins [8:7] are Outputs:** These MIO pins are available as output only. GPIO channels 7 and 8 can only be configured as outputs.

**MIO Pins in 7z010 CLG225 Device:** This device has 32 MIO pins, 0:15, 28:39, 48, 49, 52, and 53. All other Zynq-7000 AP SoC devices include all 54 MIO pins and all devices have the same EMIO interface functionality. Refer to section [1.1.3 Notices](#).

The 32 MIO pins available in the 7z010 CLG225 device restrict the functionality of the PS:

- Either one USB or one Ethernet controller via MIO
- No boot from SD Card
- No NOR/SRAM interfacing
- Width of NAND Flash limited to 8 bits

### 2.5.4 MIO-at-a-Glance Table

Table 2-4 presents MIO information in a compact format for easy reference; the gray boxes represent signals that are not usable in the 7z010 CLG225 device. Refer to section PS-PL MIO-EMIO Signals and Interfaces for background information. This section also includes important pin assignment considerations.

Table 2-4: MIO-at-a-Glance

MIO Voltage Bank 0 Package Bank 500										MIO Voltage Bank 1 Package Bank 501																																													
0	1	2	3	4	5	6	7	8	9	10	11	12	13	14	15	16	17	18	19	20	21	22	23	24	25	26	27	28	29	30	31	32	33	34	35	36	37	38	39	40	41	42	43	44	45	46	47	48	49	50	51	52	53		
										Pins not available in 7z010 CLG225.															Not in CLG225.																														
<b>BOOT_MODE</b>		The 20k ohm Boot Mode pull-up/down resistors are sampled at Reset.								<b>Ethernet 0</b>					<b>Ethernet 1</b>					<b>MDIO</b>																																			
Device		pll V								tx ck		tx data			rx ck		rx data			tx ck		tx data			rx ck		rx data			tx ck		tx data			rx ck		rx data			ck d															
<b>Quad SPI 0</b>					<b>Quad SPI 1</b>					<b>USB 0</b>										<b>USB 1</b>																																			
cs 1		cs 0		io 0		io 1		io 2		io 3		s ck		fb ck		s ck		io 0		io 1		io 2		io 3		da ta		dir		st p		nx t		data		ck		data		da ta		dir		st p		nx t		data		ck		data			
<b>SPI</b>		1, 0		SPI 1		SPI 0		SPI 1		SPI 0		SPI 1		SPI 0		SPI 1		SPI 0		SPI 1		SPI 0		SPI 1		SPI 0		SPI 1		SPI 0		SPI 1		SPI 0		SPI 1		SPI 0		SPI 1		SPI 0		SPI 1		SPI 0		SPI 1							
		mo si		mi so		ck 0		ss 1		ss 2		ck 0		mi so		ss 1		ss 2		mo si		mi so		ck 0		ss 1		ss 2		ck 0		mi so		ss 1		ss 2		mo si		mi so		ck 0		ss 1		ss 2		ck 0		mi so		ss 1		ss 2	
<b>SDIO</b>		1, 0		SDIO 1		SDIO 0		SDIO 1		SDIO 0		SDIO 1		SDIO 0		SDIO 1		SDIO 0		SDIO 1		SDIO 0		SDIO 1		SDIO 0		SDIO 1		SDIO 0		SDIO 1		SDIO 0		SDIO 1		SDIO 0		SDIO 1		SDIO 0		SDIO 1		SDIO 0		SDIO 1							
<b>SD Card Detect and Write Protect</b> are available in any of the shaded positions in any combination of the four signals.																																																							
SD Card Power Controls are available on an odd/even pin basis that corresponds to SDIO controllers 0 and 1.																																																							
SMC interface choice: NOR/DRAM or NAND Flash																																																							
cs no te		data		oe bls		data		da ta		address [0:24]															<b>NOR/DRAM</b>					MIO Pin 1 is optional: addr 25, cs 1 or gpio																									
cs		alew		io 2		io 0		io 1		cle rd		io 4 ~ 7		io 3		bu sy		io 8 ~ 15															<b>NAND Flash</b>																						
<b>CAN</b>		0		rx tx		rx tx		rx tx		rx tx		rx tx		rx tx		rx tx		rx tx		rx tx		rx tx		rx tx		rx tx		rx tx		rx tx		rx tx		rx tx		rx tx		rx tx		rx tx		rx tx		rx tx		rx tx		rx tx		rx tx					
<b>CAN External Clocks</b> are optionally available on any pin in any combination																																																							
<b>UART</b>		0		rx tx		rx tx		rx tx		rx tx		rx tx		rx tx		rx tx		rx tx		rx tx		rx tx		rx tx		rx tx		rx tx		rx tx		rx tx		rx tx		rx tx		rx tx		rx tx		rx tx		rx tx		rx tx		rx tx		rx tx					
<b>I2C</b>		0		ck d		ck d		ck d		ck d		ck d		ck d		ck d		ck d		ck d		ck d		ck d		ck d		ck d		ck d		ck d		ck d		ck d		ck d		ck d		ck d		ck d		ck d		ck d							
<b>System Timers</b>		TTC 0		Clk In, Wave Out		w ck		w ck		w ck		w ck		w ck		w ck		w ck		w ck		w ck		w ck		w ck		w ck		w ck		w ck		w ck		w ck		w ck		w ck		w ck		w ck		w ck									
		TTC 1		Clk In, Wave Out		w ck		w ck		w ck		w ck		w ck		w ck		w ck		w ck		w ck		w ck		w ck		w ck		w ck		w ck		w ck		w ck		w ck		w ck		w ck		w ck		w ck									
		SWDT		Clk In, Reset Out		ck r		ck r		ck r		ck r		ck r		ck r		ck r		ck r		ck r		ck r		ck r		ck r		ck r		ck r		ck r		ck r		ck r		ck r		ck r		ck r		ck r									
<b>GPIOs</b> are available for each MIO pin. Pins 0 ~ 31 are controlled by GPIO bank 0. Pins 32 ~ 53 are controlled by GPIO bank 1.																																																							
<b>PJTAG Interface</b>		t di		t do		t ck		t ms		t di		t do		t ck		t ms		t di		t do		t ck		t ms		t di		t do		t ck		t ms		t di		t do		t ck		t ms		t di		t do		t ck		t ms							
		ck		ctl		ck		ctl		ck		ctl		ck		ctl		ck		ctl		ck		ctl		ck		ctl		ck		ctl		ck		ctl		ck		ctl		ck		ctl		ck		ctl							
										<b>Clock and Control Data</b>															<b>Trace Port User Interface</b>																														
8		9		10		11		12		13		14		15		2		3		0		1		4		5		6		7		2		3		0		1																	

## 2.5.5 MIO Signal Routing

Signal routing through the MIO is controlled by the MIO\_PIN\_[53:0] configuration registers located in the slcr registers set. The MIO multiplexes and de-multiplexes the various input and output signals to the MIO pins using four stages of multiplexing, as shown in Figure 2-4. The high-speed data signals (such as RGMII for Gigabit Ethernet and ULPI for USB) are routed through only one multiplexer stage. The slower signals (such as the UART and I2C ports) are routed through all four multiplexer stages. The routing for each MIO pin is independently controlled by multiple bit fields in each MIO\_PIN register.

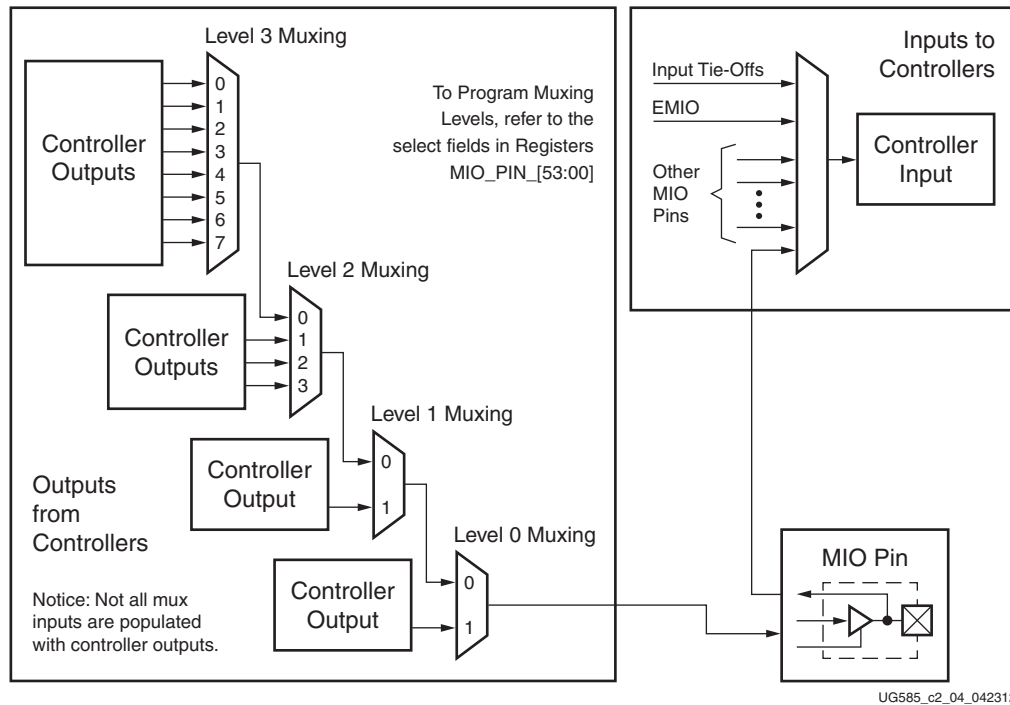


Figure 2-4: MIO Signal Routing

Any of the MIO pins can be programmed to be an external CAN controller reference clock using the CAN\_MIOCLK\_CTRL register.

## 2.5.6 Default Logic Levels

The inputs to the I/O peripherals are driven with default values when another source is not routed to either the MIO or the EMIO. If an input is routed to EMIO, but the PL is powered down, then the same default value is driven to the I/O peripheral. (See Figure 2-5.)

For MIO-only signals, the default signal input is driven when the MIO multiplexer does not route the signal to an MIO pin.

For MIO-EMIO signals, the default signal input is driven when the MIO multiplexer does not route the signal to an MIO pin (the signal defaults to the EMIO interface) and when the signal is programmed to be routed through the EMIO, but the PL either does not drive the signal (not configured) or is not able to drive it (powered down).

The default input signal logic levels are designed to be benign to the I/O peripheral. As a precaution, the related peripheral core should also be disabled when not in use. The logic levels are shown in the signal tables in each chapter for each I/O peripheral.

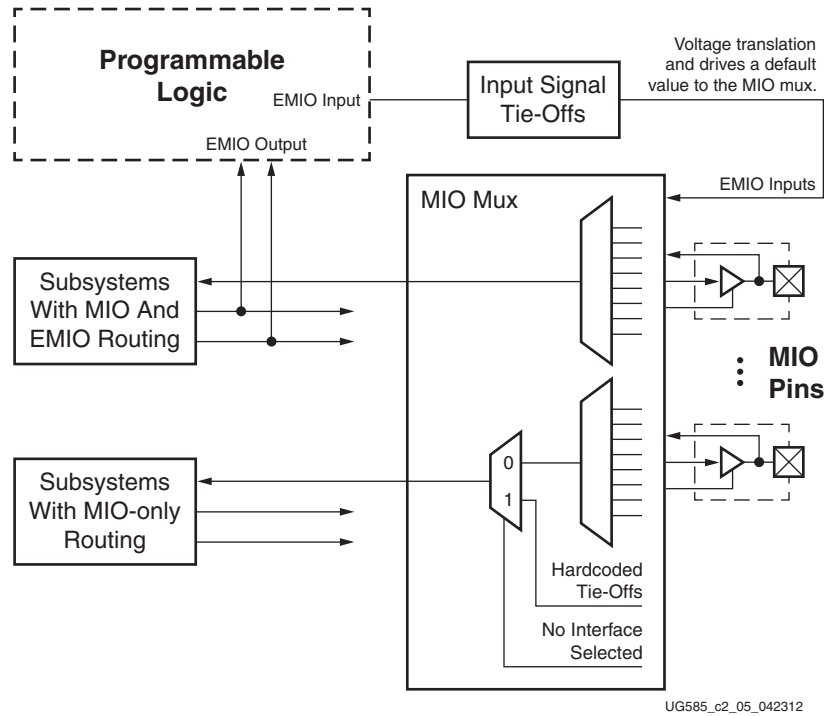


Figure 2-5: Non-selected Controller Inputs

## 2.5.7 MIO Pin Electrical Parameters

The MIO\_PIN registers include bit fields to control the electrical pin characteristics of each I/O Buffer (GPIOB). This includes I/O buffer signaling voltage, slew rate, 3-state control, pull-up resistor, and HSTL enable. These are summarized in Table 2-5. Refer to the applicable Zynq-7000 AP SoC data sheet for electrical specifications.

Table 2-5: MIO I/O Buffer Programmable Parameters

I/O Buffer Parameter	MIO_PIN Register Bit Field	Selections	Comments
Signaling	I/O_Type	LVC MOS (18, 25, 33), HSTL	Selects the drive and receiver type
HSTL Receiver	DisableRcvr	Enable, Disable	Enable when IO_Type = HSTL
Slew Rate	Speed	Fast, Slow	Selects edge rate for all I/O types
3-State Control	3-State Control	Enable, Disable	Enables 3-state for all I/O types
Pull-up	Pull-up	Enable, Disable	Enables pull-up for all I/O types



**CAUTION!** The allowable *V<sub>in High</sub>* level voltage depends on the settings of the *slcr.MIO\_PIN\_xx[IO\_Type]* and *[DisableRcvr]* bits. The restrictions are defined in the Zynq-7000 AP SoC data sheets. Damage to the input buffer can occur when the limits are exceeded.

## VREF Source Considerations

The VREF pins for HSTL signaling can be from an internal or external source. The user should choose based system design needs. The reference source is selected using the slcr.GPIOB\_CTRL [VREF\_SW\_EN] register bit.

## 2.6 PS–PL AXI Interfaces

The PS side of the AXI interfaces are based on the AXI 3 interface specification. Each interface consists of multiple AXI channels. The interfaces are summarized in [Table 2-6](#). Over a thousand signals are used to implement these nine PL AXI interfaces.

**Note:** The PL level shifters must be enabled via LVL\_SHFTR\_EN before PL logic communication can occur, refer to section [2.7.1 Clocks and Resets](#).

Table 2-6: PL AXI Interfaces

Interface Name	Interface Description	Master	Slave	Signals
M_AXI_GP0	General Purpose (AXI_GP)	PS	PL	<a href="#">Chapter 5, Interconnect</a> has a section to describe each of these interfaces. The AXI signals are listed individually in section <a href="#">5.6 PS-PL AXI Interface Signals</a> . The AXI_ACP interface is also described in multiple places in <a href="#">Chapter 3, Application Processing Unit</a> , including section <a href="#">3.5.1 PL Co-processing Interfaces</a> . The PS interconnect is shown in <a href="#">Figure 5-1</a> .
M_AXI_GP1		PS	PL	
S_AXI_GP0	General Purpose (AXI_GP)	PL	PS	
S_AXI_GP1		PL	PS	
S_AXI_ACP	Accelerator Coherency Port, cache-coherent transaction (ACP)	PL	PS	
S_AXI_HP0	High Performance ports (AXI_HP) with read/write FIFOs and two dedicated memory ports on DDR controller and a path to the OCM. The AXI_HP interfaces are known also as AFI.	PL	PS	
S_AXI_HP1		PL	PS	
S_AXI_HP2		PL	PS	
S_AXI_HP3		PL	PS	

## 2.7 PS–PL Miscellaneous Signals

The programmable logic interface group contains miscellaneous interfaces between PS and the PL. An input is driven by the PL and an output is driven by the PS. Signals might have suffixes where an 'N' suffix indicates an active Low signal; otherwise the signal is active High. A 'TN' suffix indicates an active Low 3-state enable signal and is an output to the PL. Output signals to the PL are always driven to either a High or Low level state.

PS-PL signal groups are identified in [Table 2-7](#).

Table 2-7: PS-PL Signal Groups

PS-PL Signal Group	Signal Name	Reference
PL clocks and resets	FCLKx	<a href="#">2.7.1 Clocks and Resets</a>
PL interrupts to PS	IRQF2Px	<a href="#">2.7.2 Interrupt Signals</a>
IOP interrupts to PL	IRQP2Fx	<a href="#">2.7.2 Interrupt Signals</a>
Events	EVENTx	<a href="#">2.7.3 Event Signals</a>
IdleAXI, DDR ARB, SRAM interrupt, FPGA	FPGA, DDR, EMIO	<a href="#">2.7.4 Idle AXI, DDR Urgent/Arb, SRAM Interrupt Signals</a>
DMA controller	DMACx	<a href="#">2.7.5 DMA Req/Ack Signals</a>
EMIO signals	EMIOx	<a href="#">Table 2-3</a>
USB port indicator and power control	EMIOUSBx	<a href="#">15.16.3 MIO-EMIO Signals</a>

**Note:** The PL level shifters must be enabled via the `sclr.LVL_SHFTR_EN` register before PL logic communication can occur, refer to section [2.7.1 Clocks and Resets](#).

## 2.7.1 Clocks and Resets

### Clocks

The PS clock module provides four frequency-programmable clocks (FCLKs) to the PL that are physically spread out along the PS–PL boundary. The clocks can also be individually controlled. The FCLK clocks can be routed to PL clock buffers to serve as a frequency source.

**Note:** There is no guaranteed timing relationship between any of the four PL clocks and between any of the other PS-PL signals. Each clock is independently programmed and operated. The FCLKCLKTRIGN[3:0] signals are currently not supported. They must be tied to ground in the PL. The FCLK clocks are described in [Chapter 25, Clocks](#).

### Resets

The PS reset subsystem provides four programmable reset signals to the PL. The reset signals are controlled by writing to the `sclr.FPGA_RST_CTRL` `SLCR[FPGA[3:0]_OUT_RST]` bit fields. The resets are independently programmed and are completely independent of the PL clocks and all other PS-PL signals. The PS reset subsystem is described in [Chapter 26, Reset System](#).

The PL clocks and resets are summarized in [Table 2-8](#).

Table 2-8: PL Clock and Reset Signals

Type	PL Signal Name	I/O	Reference
PL Clocks	FCLKCLK[3:0]	O	<a href="#">Chapter 25, Clocks</a>
PL Clock Throttle Control	FCLKCLKTRIG [3:0]	I	
PL Resets	FCLKRESETN [3:0]	O	<a href="#">Chapter 26, Reset System</a>



## 2.7.2 Interrupt Signals

The interrupts from the processing system I/O peripherals (IOP) are routed to the PL and assert asynchronously to the FCLK clocks. In the other direction, the PL can asynchronously assert up to 20 interrupts to the PS. Sixteen of these interrupt signals are mapped to the interrupt controller as a peripheral interrupt where each interrupt signal is set to a priority level and mapped to one or both of the CPUs. The remaining four PL interrupt signals are inverted and routed to the nFIQ and nIRQ interrupt directly to the signals to the private peripheral interrupt (PPI) unit of the interrupt controller. There is an nFIQ and nIRQ interrupt for each of two CPUs. The PS to PL and PL to PS interrupts are listed in [Table 2-9](#). Details of the interrupt signals are described in [Chapter 7, Interrupts](#).

Table 2-9: PL Interrupt Signals

Type	PL Signal Name	I/O	Destination
PL to PS Interrupts	IRQF2P[7:0]	I	SPI: Numbers [68:61].
	IRQF2P[15:8]	I	SPI: Numbers [91:84].
	IRQF2P[19:16]	I	PPI: nFIQ, nIRQ (both CPUs).
PS to PL Interrupts	IRQP2F[27:0]	O	PI Logic. These signals are received from the I/O peripherals and are forwarded to the interrupt controller. These signals are also provided as outputs to the PL.

## 2.7.3 Event Signals

The PS supports processor events to and from the PL (see [Table 2-10](#)). These signals are asynchronous to the PS and FCLK clocks. For details on these signals, see [Chapter 3, Application Processing Unit](#).

Table 2-10: PL Event Signals

Type	PL Signal Name	I/O	Description
Events	EVENTEVENTI	I	Causes one or both CPUs to wake up from a WFE state.
	EVENTEVENTO	O	Asserted when one of the CPUs has executed the SEV instruction.
Standby	EVENTSTANDBYWFE[1:0]	O	CPU standby mode: asserted when a CPU is waiting for an event.
	EVENTSTANDBYWFI[1:0]	O	CPU standby mode: asserted when a CPU is waiting for an interrupt.

## 2.7.4 Idle AXI, DDR Urgent/Arb, SRAM Interrupt Signals

The idle AXI signal to the PS is used to indicate that there are no outstanding AXI transactions in the PL. It cannot be read from any registers. Driven by the PL, this signal is one of the conditions used to initiate a PS bus clock shut-down by ensuring that all PL bus devices are idle.

The DDR urgent/arb signal is used to signal a critical memory starvation situation to the DDR arbitration for the four AXI ports of the PS DDR memory controller. The EMIOSRAMINT signal is used to alert the PL that the static memory controller has triggered an interrupt.

Table 2-11: PL AXI Idle, DDR Urgent/Arb and SRAM Interrupt Signals

Type	PL Signal Name	I/O	Destination	Reference
Idle PL AXI Interfaces	FPGAIDLEN	I	Central interconnect clock disable logic	<a href="#">Central Interconnect Clock Disable</a> in section 25.1.4 <a href="#">Power Management</a>
DDR Urgent Signal	DDRARB[3:0]	I	DDR memory controller	<a href="#">Chapter 10, DDR Memory Controller</a>
SRAM	EMIOSRAMINTIN	I	Static memory controller interrupt	<a href="#">Chapter 11, Static Memory Controller</a>

## 2.7.5 DMA Req/Ack Signals

There are four sets of DMA controller flow control signals for use by up to four PL slaves connected via the M\_AXI\_GP interfaces (see [Table 2-11](#)). These four sets of flow control signals correspond to DMA channels 4 through 7, see [Chapter 9, DMA Controller](#).

Table 2-12: PL DMA Signals

Type	Signal	PL Signal Name	I/O	Reference
Clock and Reset	Clock	DMA[3:0]ACLK	I	<a href="#">9.2.7 PL Peripheral Request Interface</a>
Request	Ready	DMA[3:0]DRREADY	O	<a href="#">Chapter 9, DMA Controller</a>
	Valid	DMA[3:0]DRVALID	I	
	Type	DMA[3:0]DRTYPE[1:0]	I	
	Last	DMA[3:0]DRLAST	I	
Acknowledge	Ready	DMA[3:0]DAREADY	I	
	Valid	DMA[3:0]DAVALID	O	
	Type	DMA[3:0]DATYPE[1:0]	O	

## 2.8 PL I/O Pins

A summary of the PL I/O pins is shown in [Table 2-13](#). Refer to the applicable Zynq-7000 AP SoC data sheet and Zynq-7000 AP SoC packaging and pin documents for more information.

For more information on multi-gigabit serial transceivers pins, see the Pin Description and Design Guidelines section in [UG476, 7 Series FPGAs GTX Transceivers User Guide](#). (Four to sixteen transceivers are available in the Kintex-based Zynq 7z030, 7z045, and 7z100 devices.)

### 7z010 CLG225 Device Notice

The 7z010 CLG225 device has fewer pins than the other Zynq-7000 AP SoC devices. For the 7z010 CLG225, DXN is tied to ground, Bank 34 has 8 I/Os, and Bank 35 has 46 I/Os. There are also only four pairs of XADC signals.



**CAUTION!** The allowable *V<sub>in High</sub>* level voltages are defined in the Zynq-7000 AP SoC data sheets. Damage to the input buffer can occur when the limits are exceeded.

Table 2-13: PL Pin Summary

Group	Name	Type	Description
User I/O Pins	IO_LXXY_#, IO_XX_#	I/O	Most user I/O pins are capable of differential signaling and can be implemented as pairs. The top and bottom I/O pins are always single ended.
Multi-Gigabit Serial Transceivers	MGTXRXP[N]	I	Differential receive and transmit ports. Multi-Gigabit Serial Transceiver pins. Four transceivers are available in the Zynq-7000 AP SoC 7z030 device and 16 in the 7z045 and 7z100 devices.
	MGTXTX[P,N]	O	
	MGTAVCC_G#	I	1.0V analog power-supply pin for receiver and transmitter internal circuits.
	MGTAVTT_G#	I	1.2V analog power-supply pin for the transmit driver.
	MGTVCCAUX_G#	I	1.8V auxiliary analog Quad PLL voltage supply for the transceivers.
	MGTREFCLK0/1P	I	Positive differential reference clock for the transceivers.
	MGTREFCLK0/1N	I	Negative differential reference clock for the transceivers.
	MGTAVTTRCAL	N/A	Precision reference resistor pin for internal calibration termination.
	MGTRREF	I	Precision reference resistor pin for internal calibration termination.
PL JTAG	PL_TCK, PL_TMS, PL_TDI, PL_TDO	I/O	See <a href="#">Chapter 27, JTAG and DAP Subsystem</a> .
Configuration	DONE, INIT_B, PROGRAM_B	I/O	Refer to the 7-series documentation.
	CFGBVS	I	Pre-configuration I/O standard type for the dedicated configuration bank 0.
	PUDC_B	I	Active Low input enables internal pull-ups during configuration on all SelectIO pins.
XADC	VP, VN	I	Dedicated differential analog inputs.
	VREFP, VREFN	N/A	Reference input (1.25V) and ground.
	AD[15:0]P, AD[15:0]N	I	16 differential auxiliary analog inputs.
Multi-function	MRCC	I	Clock capable I/Os driving BUFRRs, BUFIOs, BUFGs and MMCMs/PLLs. In addition, these pins can drive the BUFMR for multi-region BUFIO and BUFRR support. These pins become regular user I/Os when not needed as a clock.
	SRCC	I	Clock capable I/Os driving BUFRRs, BUFIOs and MMCMs/PLLs. These pins become regular user I/Os when not needed for clocks.
	T[3:0]	I	Four memory byte groups.
	T[3:0]_DQS	I	DDR DQS strobe pin that belongs to the memory byte group T0-T3.
Temperature	DXP, DXN	I	Temperature-sensing diode pins.
Reserved	RSVDVCC	I	Tie to $V_{CC0}$ .
	RSVDGND	I	Tie to ground.

# Application Processing Unit

---

## 3.1 Introduction

### 3.1.1 Basic Functionality

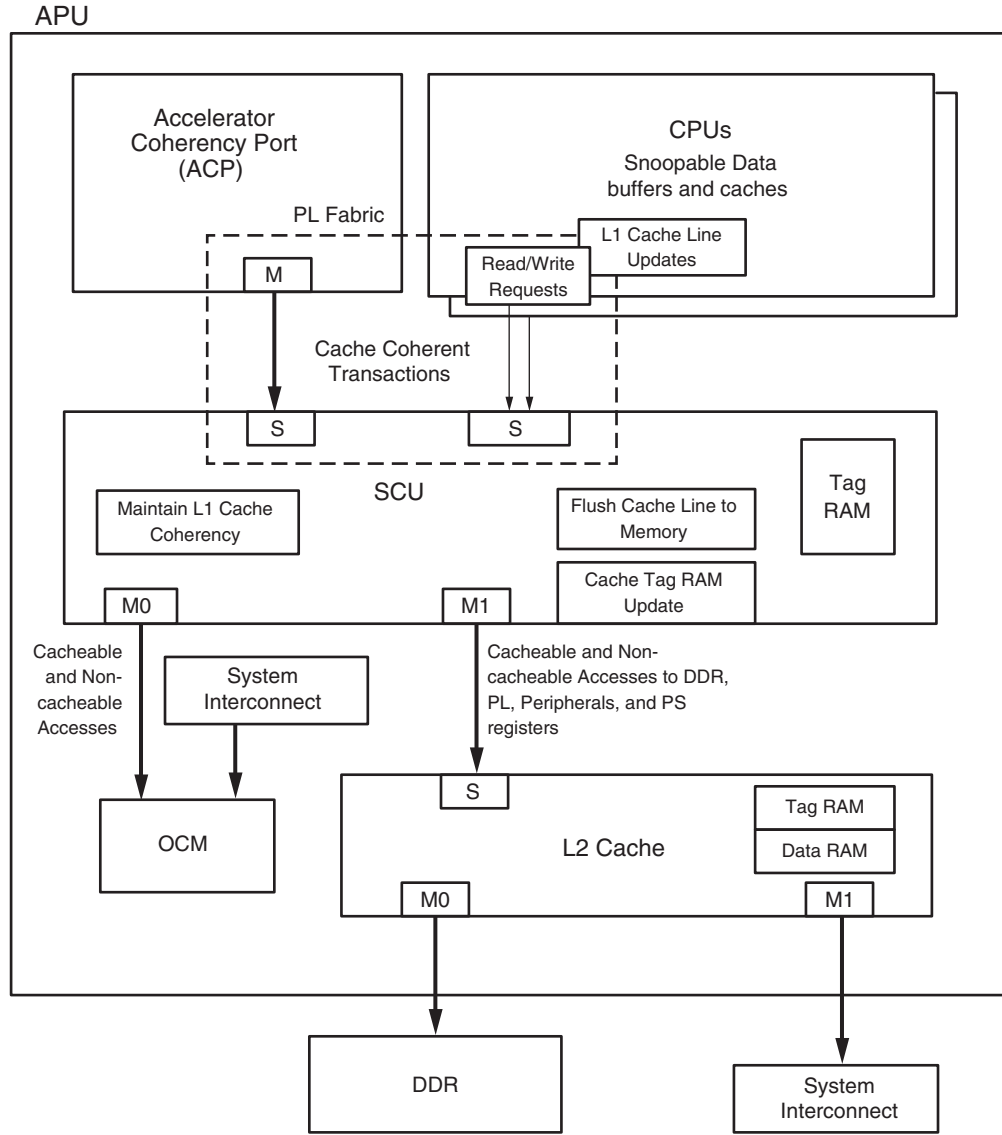
The application processing unit (APU), located within the PS, contains two ARM® Cortex™-A9 processors with NEON co-processors that are connected in an MP configuration sharing a 512 KB L2 cache. Each processor is a high-performance and low-power core that implements two separate 32 KB L1 caches for instruction and data. The Cortex-A9 processor implements the ARM v7-A architecture with full virtual memory support and can execute 32-bit ARM instructions, 16-bit and 32-bit Thumb instructions, and 8-bit Java™ byte codes in the Jazelle state. The NEON™ coprocessor media and signal processing architecture adds instructions that target audio, video, image and speech processing, and 3D graphics. These advanced single instruction multiple data (SIMD) instructions are available in both ARM and Thumb states. A block diagram of the APU is shown in [Figure 3-1](#).

The two Cortex-A9 processors within the APU are organized in an MP configuration with a snoop control unit (SCU) responsible for maintaining L1 cache coherency between the two processors and the ACP interface from the PL. To increase performance, there is a shared unified 512 KB level-two (L2) cache for instruction and data. In parallel to the L2 cache, there is a 256 KB on-chip memory (OCM) module that provides a low-latency memory.

An accelerator coherency port (ACP) facilitates communication between the programmable logic (PL) and the APU. This 64-bit AXI interface allows the PL to implement an AXI master that can access the L2 and OCM while maintaining memory coherency with the CPU L1 caches.

The unified 512 KB L2 cache is 8-way set-associative and allows you to lock the cache content on a line, way, or master basis. All accesses through the L2 cache controller can be routed to the DDR controller or can be sent to other slaves in the PS or PL depending on their address. To reduce latency to the DDR memory, there is a dedicated port from the L2 controller to the DDR controller.

Debug and trace capability is built into the two processor cores and interconnects as a part of the CoreSight™ debug and trace system. You can control and interrogate both processors and the memory through the debug access port (DAP). Furthermore, 32-bit AMBA® trace bus (ATB) masters from the two processors are funneled with other ATB masters, such as Instrumentation Trace Macrocell (ITM) and Fabric Trace Monitor (FTM), to generate the unified PS trace through the on-chip embedded trace buffer (ETB) or the trace-port interface units (TPIU).



UG585\_c3\_01\_100812

Figure 3-1: APU Block Diagram

ARM architecture supports multiple operating modes including supervisor, system, and user modes to provide different levels of protection at the application level. The architecture support for TrustZone technology helps to create a secure environment to run applications and protect their contents. TrustZone built into the ARM CPU processor and many peripherals enables a secure system to handle keys, private data, and encrypted information without allowing these secrets to leak to non-trusted programs or users.

The APU contains a 32-bit watchdog timer and a 64-bit global timer with auto-decrement features that can be used as general-purpose timers and also as a mechanism to start up the processors from standby mode.

## 3.1.2 System-Level View

The APU is the most critical component of the system that comprises the PS, the IP cores implemented in the PL, and board-level devices such as the external memories and the peripherals. The main interfaces through which the APU communicates to the rest of the system are two interfaces through the L2 controller and an interface to the OCM that is parallel to the L2 cache. See [Figure 3-1](#).

All accesses from the dual Cortex-A9 MP system go through the SCU and all accesses from any other master that requires coherency with the Cortex-A9 MP system also need to be routed through the SCU using the ACP Port. All accesses that are not routed through the SCU are non-coherent with the CPU and software has to explicitly handle the synchronization and coherency.

Accesses from the APU can target the OCM, DDR, PL, IOP slaves, or registers within the PS sub-blocks. To minimize the latency to the OCM, a dedicated master port from the SCU provides direct access by the processors and the ACP to the OCM, offering a latency that is even less than the L2 cache.

All APU accesses to the DDR are routed through the L2 cache controller. To improve the latencies of the DDR accesses, there is a dedicated master port from the L2 cache controller to the DDR memory controller that allows all APU-DDR transactions to bypass the main interconnects which are shared with the other masters. All other accesses from the APU that are neither OCM-bound nor DDR-bound go through the L2 controller and are routed through the main interconnect using a second port. The accesses that pass through the L2 cache controller do not have to be cacheable.

Exclusive access transactions from LDREX/SDREX instructions or ACP exclusive transactions in the APU are described under [Exclusive AXI Accesses in Chapter 5](#). As shown in [Figure 3-2](#), the APU and its sub-blocks all operate in the CPU\_6x4x clock domain. The interfaces from the APU to the OCM and to the main interconnects are all synchronous. The main interconnects can run at 1/2 or 1/3 of the frequency of the CPU. The DDR block is on the DDR\_3x clock domain and operates asynchronously to the APU. The ACP port to the APU block includes a synchronizer and the PL master that uses this port can have a clock that is asynchronous to the APU.

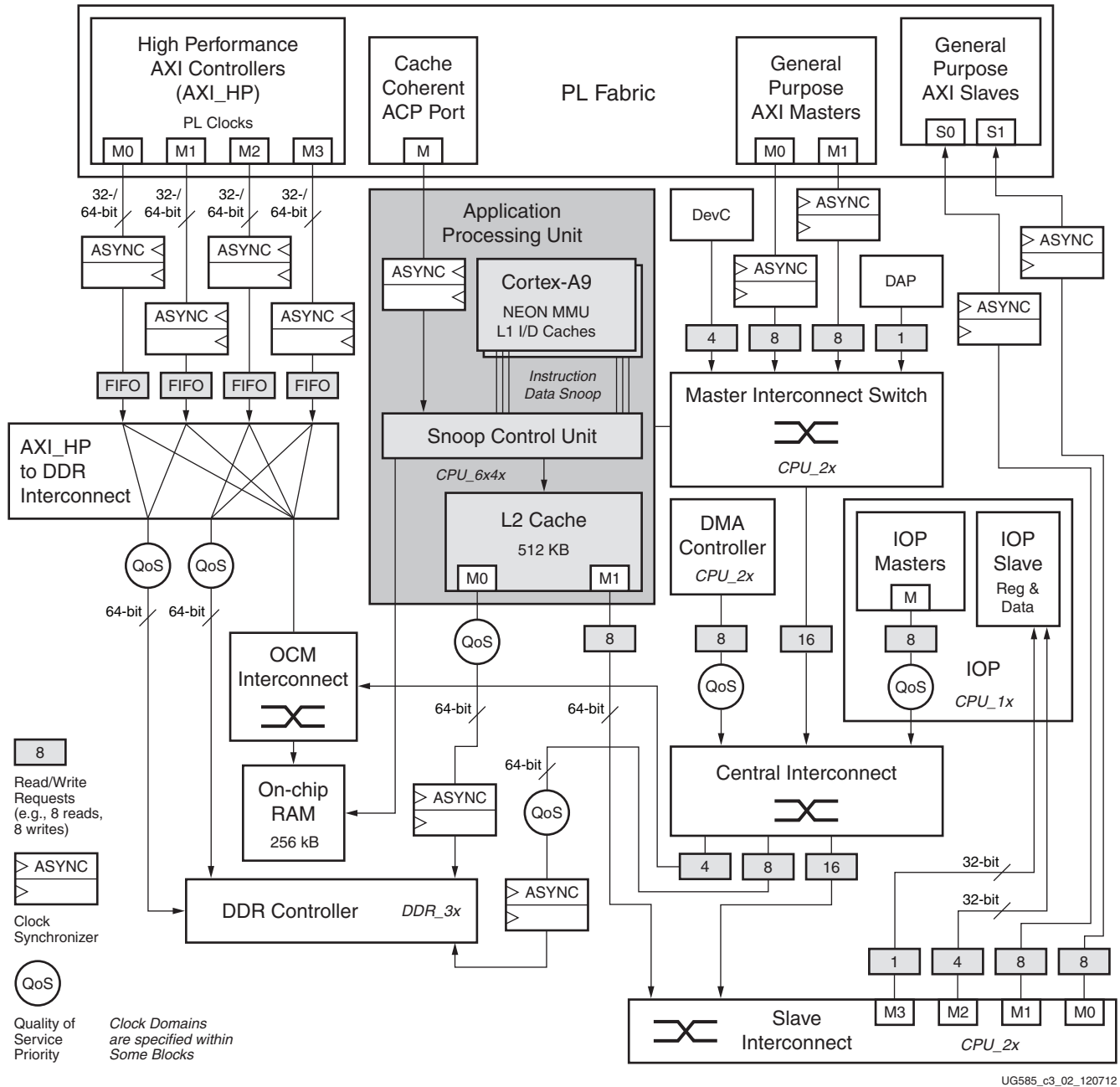


Figure 3-2: APU System View Diagram

## 3.2 Cortex-A9 Processors

### 3.2.1 Summary

The APU implements a dual-core Cortex-A9 MP configuration. Each processor has its own SIMD media processing engine (NEON), memory management unit (MMU), and separate 32 KB level-one (L1) instruction and data caches. Each Cortex-A9 processor provides two 64-bit AXI master interfaces for independent instruction and data transactions to the SCU. Depending on the address and attributes, these transactions are routed to the OCM, L2 cache, DDR memory, or, through the PS interconnect, to other slaves in the PS, or to the PL. Each processor interface with the SCU includes the required snoop signals to provide coherency between the L1 data caches within the processors and the shared L2 cache for shareable memory. The Cortex-A9 and its subsystem also provide complete Trustzone extension, necessary for user security.

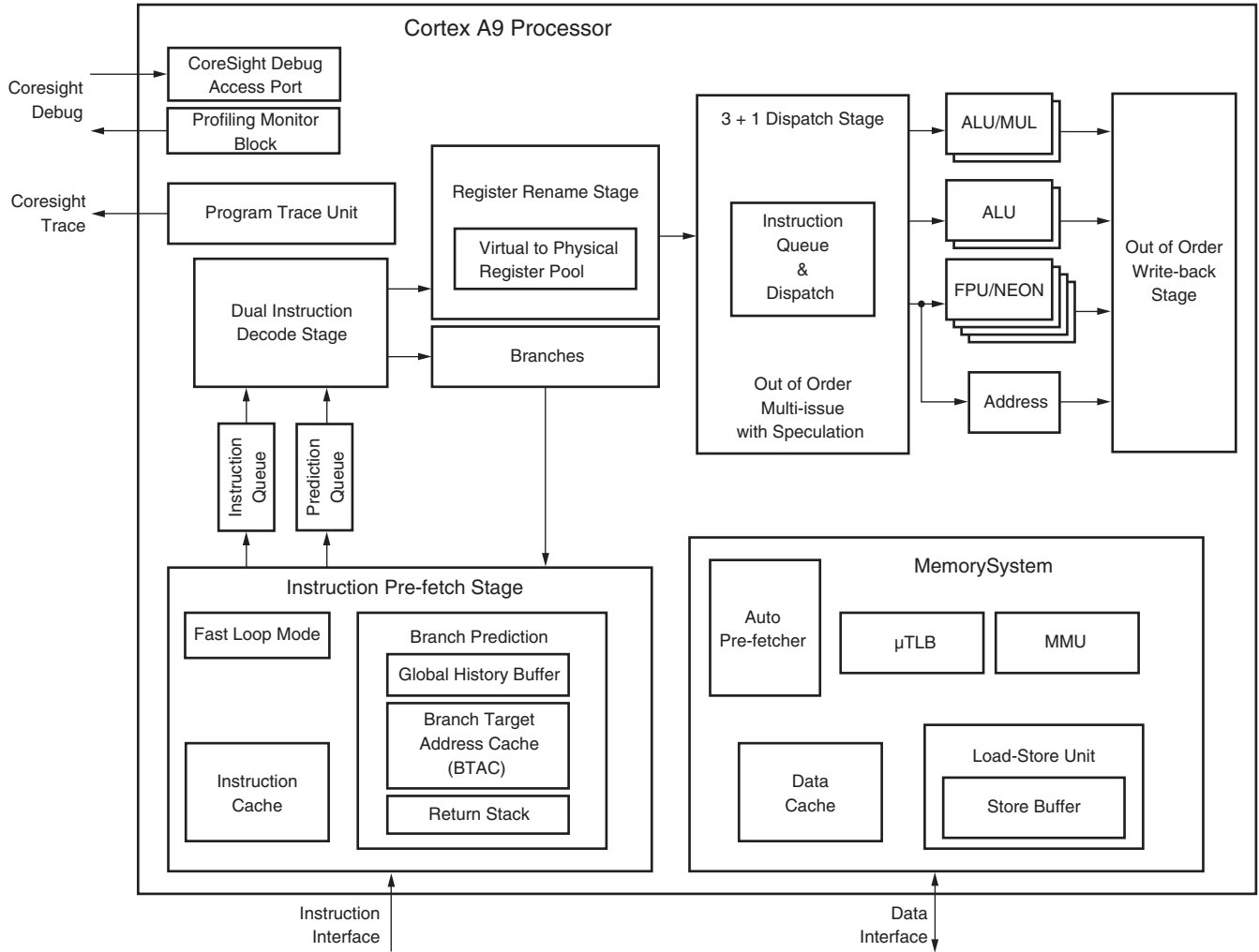
The Cortex-A9 processor implements the necessary hardware features for program debug and trace generation support. The processor also provides hardware counters to gather statistics on the operation of the processor and memory system.

The major sub-blocks within the Cortex-A9 are the central processing unit (CPU), the L1 instruction and data caches, the memory management unit (MMU), the NEON coprocessor, and the core interfaces. Their functions are explained in the following subsections.

### 3.2.2 Central Processing Unit (CPU)

Each Cortex-A9 CPU can issue two instructions in one cycle and execute them out of order. The CPU implements dynamic branch prediction and with its variable length pipeline can deliver 2.5 DMIPs/MHz. The Cortex-A9 processor implements the ARMv7-A architecture with full virtual memory support and can execute 32-bit ARM instructions, 16-bit and 32-bit Thumb instructions, and 8-bit Java™ byte codes in the Jazelle hardware acceleration state. [Figure 3-3](#) shows the architecture of the Cortex-A9 processor.





UG585\_c3\_04\_030712

Figure 3-3: Cortex-A9 Architecture

## Pipeline

The pipeline implemented in the Cortex-A9 CPU employs advanced fetching of instructions and branch prediction that decouples the branch resolution from potential memory latency-induced instruction stalls. In the Cortex-A9 CPU, up to four instruction-cache lines are pre-fetched to reduce the impact of memory latency on the instruction throughput. The CPU fetch unit can continuously forward two to four instructions per cycle to the instruction decode buffer to ensure efficient superscalar pipeline utilization. The CPU implements a superscalar decoder capable of decoding two full instructions per cycle, and any of the four CPU pipelines can select instructions from the issue queue. The parallel pipelines support concurrent execution across full dual arithmetic units, load-store unit, plus resolution of any branch each cycle.

The Cortex-A9 CPU employs speculative execution of instructions enabled by dynamic renaming of physical registers into an available pool of virtual registers. The CPU employs this virtual register renaming to eliminate dependencies across registers without jeopardizing the correct execution of programs. This feature allows code acceleration through an effective hardware based unrolling of

loops, and increases the pipeline utilization by removing data dependencies between adjacent instructions, which also indirectly reduces interrupt latency.

In the Cortex-A9 CPU, dependent load-store instructions can be forwarded for resolution within the memory system to further reduce pipeline stalls. The core supports up to four data cache line fill requests that can be through automatic or user-driven pre-fetching.

A key feature of this CPU is the out-of-order write back of instructions that enables the pipeline resources to be released independent of the order in which the system provides the required data.

Load/store instructions can be issued speculatively before condition of instruction or a preceding branch has been resolved or before data to be written has become available. If the condition required for the execution of the load/store fails, any of the side-effects, such as the action to modify registers, are flushed.

## Branch Prediction

To minimize the branch penalty in its highly pipelined CPU, the Cortex-A9 implements both static and dynamic branch prediction. Static branch prediction is provided by the instructions and is decided during compilation. Dynamic branch prediction uses the outcome of the previous executions of a specific branch to determine whether the branch should be taken or not. The dynamic branch prediction logic employs a global branch history buffer (GHB) which is a 4,096 entry table holding 2-bit prediction information for specific branches and is updated every time a branch gets executed.

The branch execution and the overall instruction throughput also benefit greatly from the implementation of a branch target address cache (BTAC) which holds the target addresses of the recent branches. This 512-entry address cache is organized as 2-way  $\times$  256 entries and provides the target address for a specific branch to the pre-fetch unit before the actual target address is generated based on the calculation of the effective address and its translation to the physical address. Additionally, if an instruction loop fits in four BTAC entries, instruction cache accesses are turned off to lower power consumption.

**Note:** Both GHB and BTAC RAMs implement parity for protection; however, this support has limited diagnostic value. Corruption in GHB data or BTAC data does not generate functional errors in the Cortex-A 9 processor. Corruption in GHB data or BTAC data results in faulty branch prediction that is detected and corrected when the branch gets executed.

The Cortex-A9 CPU can predict conditional branches, unconditional branches, indirect branches, PC-destination data-processing operations, and branches that switch between ARM and Thumb states. However, the following branch instructions are not predicted:

- Branches that switch between states (except ARM to Thumb transitions, and Thumb to ARM transitions)
- Instructions with the S suffix are not predicted, as they are typically used to return from exceptions and have side effects that can change privilege mode and security state.
- All mode-changing instructions

Users can enable program flow prediction by setting the Z bit in the CP15 c1 Control register to 1. Refer to the System Control Register in the *ARM Cortex-A9 Technical Reference Manual* (see [Appendix A, Additional Resources](#)). Before switching the program flow prediction on, a BTAC flush operation must be performed which has the additional effect of setting the GHB into a known state.

Cortex-A9 also employs an 8-entry return stack cache that holds the 32-bit subroutine return addresses. This feature greatly reduces the penalty of executing subroutine calls and can address nested routines up to eight levels deep.

## Instruction and Data Alignment

ARM architecture specifies the ARM instructions as being 32-bits wide and requires them to be word-aligned. Thumb instructions are 16-bits wide and are required to be half-word aligned. Thumb-2 instructions which are 16- or 32-bits wide are also required to be half-word aligned. Data accesses can be unaligned and the load/store unit within the CPU breaks them up to aligned accesses. The data from these accesses are merged and sent to the register file within the CPU as had been requested.

**Note:** The application processing unit (APU), and the PS as a whole, support only little-endian architecture for both instruction and data.

## Trace and Debug

The Cortex-A9 processor implements the ARMv7 debug architecture as described in the ARM Architecture Reference Manual. In addition, the processor supports a set of Cortex-A9 processor-specific events and system-coherency events. For more information, see *Chapter 11, Performance Monitoring Unit* in the *ARM Cortex-A9 Technical Reference Manual*.

The debug interface of the processor consists of:

- A baseline CP14 interface that implements the ARMv7 debug architecture and the set of debug events as described in the *ARM Architecture Reference Manual*
- An extended CP14 interface that implements a set of debug events specific to this processor (explained in the *ARM Architecture Reference Manual*)
- An external debug interface connected to an external debugger through a debug access port (DAP)

The Cortex-A9 includes a program trace module that provides ARM CoreSight technology compatible program-flow trace capabilities for either of the Cortex-A9 processors and provides full visibility into the actual instruction flow of the processor. The Cortex-A9 PTM includes visibility over all code branches and program flow changes with cycle-counting enabling profiling analysis. The PTM block in conjunction with the CoreSight design kit provides the software developer the ability to non-obtrusively trace the execution history of multiple processors and either store this, along with time stamped correlation, into an on-chip buffer, or off chip through a standard trace interface so as to have improved visibility during development and debug.

The Cortex-A9 processor also implements program counters and event monitors that can be configured to gather statistics on the operation of the processor and the memory system.

### 3.2.3 Level 1 Caches

Each of the two Cortex-A9 processors has separate 32 KB level-1 instruction and data caches. Both L1 caches have common features that include:

- Each cache can be disabled independently, using the system control coprocessor. Refer to the System Control Register in the *ARM Cortex-A9 Technical Reference Manual*.
- The cache line lengths for both L1 caches are 32 bytes.
- Both caches are 4-way set-associative.
- L1 caches support 4 KB, 64 KB, 1 MB, and 16 MB virtual memory page.
- Neither of the two L1 caches supports the lock-down feature.
- The L1 caches have 64-bit interfaces to the integer core and AXI master ports.
- Cache replacement policy is either pseudo round-robin or pseudo-random. The victim counter is read at time of miss, not allocation, and it is incremented on allocation. An invalid line in the set is replaced in preference to using the victim counter.
- On a cache miss, critical word first filling of the cache is performed.
- To reduce power consumption, the number of full cache reads is reduced by taking advantage of the sequential nature of many cache operations. If a cache read is sequential to the previous cache read, and the read is within the same cache line, only the data RAM set that was previously read is accessed.
- Both L1 caches support parity.
- All memory attributes are exported to external memory systems.
- Support for TrustZone security exports the secure or non-secure status to the caches and memory system.
- Upon a CPU reset, the contents of both L1 caches are cleared to comply with security requirements.

**Note:** You must invalidate the instruction cache, the data cache, and BTAC before using them. It is not required to invalidate the main TLB, even though it is recommended for safety reasons. This ensures compatibility with future revisions of the processor.

The L1 instruction-side cache (I-Cache) is responsible for providing an instruction stream to the Cortex-A9 processor. The L1 I-Cache interfaces directly to the pre-fetch unit which contains a two-level prediction mechanism as described in the [Branch Prediction](#) section of this chapter. The L1 instruction cache is virtually indexed and physically tagged.

The L1 data-side cache (D-Cache) is responsible for holding the data used by the Cortex-A9 processor. Key features of the L1 D-Cache include:

- Data cache is physically indexed and physically tagged.
- D-Cache is non-blocking and, therefore, load/store instructions can continue to hit the cache while it is performing allocations from external memory due to prior read/write misses. The data cache supports four outstanding reads and four outstanding writes.
- The CPU can support up to four outstanding preload (PLD) instructions. However, explicit load/store instructions have higher priority.
- The Cortex-A9 load/store unit supports speculative data pre-fetching which monitors sequential accesses made by program and starts fetching the next expected line before it has been requested. This feature is enabled in the cp15 Auxiliary Control register (DP bit). The pre-fetched lines can be dropped before allocation, and PLD instruction has higher priority.
- The data cache supports two 32-byte line-fill buffers and one 32-byte eviction buffer.
- The Cortex-A9 CPU has a store buffer with four 64-bit slots with data merging capability.

- Both data cache read misses and write misses are non-blocking, with up to four outstanding data cache read misses and up to four outstanding data cache write misses being supported.
- The APU data caches offer full snoop coherency control using the MESI algorithm.
- The data cache in Cortex-A9 contains local load/store exclusive monitor for LDREX/STREX synchronizations. These instructions are used to implement semaphores. The exclusive monitor handles one address only, with eight words or one cache line granularity. Therefore, avoid interleaving LDREX/STREX sequences and always execute a CLREX instruction as part of any context switch.
- D-Cache only supports write-back/write-allocate policy. Write-through and write-back/no write-allocate policies are not implemented.
- L1 D-Cache offers support for exclusive operation with respect to the L2 cache. Exclusive operation implies that a cache line is valid only in L1 or L2 cache and never in both at the same time. A line-fill into L1 causes the line to be marked invalid in L2. At the same time, eviction of a line from L1 causes the line to be allocated in L2, even if it is not dirty. A line-fill into L1 from dirty L2 line forces eviction of the line to external memory. The exclusive operation, disabled by default, increases cache utilization and reduces power consumption.

## Initialization of L1 Caches

Before using the L1 caches, you must invalidate the instruction cache, the data cache, and the BTAC. It is not required to invalidate the main TLB, even though it is recommended for safety reasons. This ensures compatibility with future revisions of the processor. Steps to initialize L1 Caches:

1. Invalidate TLBs:

```
mcr    p15, 0, r0, c8, c7, 0 (r0 = 0)
```

2. Invalidate I-Cache:

```
mcr    p15, 0, r0, c7, c5, 0 (r0 = 0)
```

3. Invalidate Branch Predictor Array:

```
mcr    p15, 0, r0, c7, c5, 6 (r0 = 0)
```

4. Invalidate D-Cache:

```
mcr    p15, 0, r11, c7, c14, 2 (should be done for all the sets/ways)
```

5. Initialize MMU.

6. Enable I-Cache and D-Cache:

```
mcr    p15, 0, r0, c1, c0, 0 (r0 = 0x1004)
```

7. Synchronization barriers:

```
dsb    (Allows MMU to start)
```

```
isb    (Flushes pre-fetch buffer)
```

(Refer to [Memory Barriers](#), page 72 for more details on memory barriers.)

## 3.2.4 Memory Ordering

### Memory Ordering Model

The Cortex-A9 architecture defines a set of memory attributes with the characteristics required to support all memory and devices in the system memory map. The following mutually-exclusive main memory type attributes describe the memory regions:

- Normal
- Device
- Strongly-ordered

### Device and Strongly Ordered

Accesses to strongly ordered and device memory have the same memory ordering model. System peripherals come under strongly ordered and device memory. Access rules for this memory are as follows:

- The number and size of accesses are preserved. Accesses are atomic, and will not be interrupted part way through.
- Both read and write accesses can have side effects on the system. Accesses are never cached. Speculative accesses are never performed.
- Accesses cannot be unaligned.
- The order of accesses arriving at device memory is guaranteed to correspond to the program order of instructions which access strongly ordered or device memory. This guarantee applies only to accesses within the same peripheral or block of memory.
- The Cortex-A9 processor can re-order normal memory accesses around strongly ordered or device memory accesses.

The only difference between device and strongly ordered memory is that:

- A write to strongly ordered memory can complete only when it reaches the peripheral or memory component accessed by the write.
- A write to device memory is permitted to complete before it reaches the peripheral or memory component accessed by the write.

### Normal Memory

Normal memory is used to describe most parts of the memory system. All ROM and RAM devices are considered to be normal memory. All code to be executed by the processor must be in normal memory. Code is not architecturally permitted to be in a region of memory which is marked as device or strongly ordered. The properties of normal memory are as follows:

- The processor can repeat read and some write accesses.
- The processor can pre-fetch or speculatively access additional memory locations, with no side-effects (if permitted by MMU access permission settings). The processor does not perform speculative writes.

- Unaligned accesses can be performed.
- Multiple accesses can be merged by processor hardware into a smaller number of accesses of a larger size. Multiple byte writes could be merged into a single double-word write, for example.

## Memory Attributes

In addition to memory types, the ordering of accesses for regions of memory is also defined by the memory attributes. The following sub-sections discuss these attributes.

### Shareability

Shareability domains define *zones* within the bus topology within which memory accesses are to be kept consistent (taking place in a predictable way) and potentially coherent (with hardware support). Outside of this domain, masters might not see the same order of memory accesses as inside it. The order of memory accesses takes place in these defined domains. Table 3-1 shows the different shareability options available in a Cortex-A9 system:

Table 3-1: Shareability Domains

Domain	Abbreviation	Description
Non-Shareable	NSH	A domain consisting only of the local master. Accesses that never need to be synchronized with other cores, processors or devices. Not normally used in SMP systems.
Inner shareable	ISH	A domain (potentially) shared by multiple masters, but usually not all masters in the system. A system can have multiple inner shareable domains. An operation that affects one inner shareable domain does not affect other inner shareable domains in the system.
Outer shareable	OSH	A domain almost certainly shared by multiple masters, and quite likely consisting of several inner shareable domains. An operation that affects an outer shareable domain also implicitly affects all inner shareable domains within it.
Full system	SY	An operation on the full system affects all masters in the system; all non-shareable regions, all inner shareable regions and all outer shareable regions.

Shareability only applies to normal memory, and to device memory in an implementation that does not include the large physical address extensions (LPAE). In an implementation that includes the LPAE, device memory is always outer shareable. For more information on LPAE, refer to the *ARM Technical Reference Manual*.

### Cacheability

Cacheable attributes apply only for the normal memory type. These attributes provide a mechanism of coherency control with masters that lie outside the shareability domain of a region of memory. Each region of normal memory is assigned a cacheable attribute that is one of:

- Write-back cacheable
- Write-through cacheable
- Non-cacheable

See the Cache Policies of ARM architecture, for information on these attributes.

The Cortex-A9 CPU also provides independent cacheability attributes for normal memory for two conceptual levels of cache, the inner and the outer cacheable. Inner refers to the innermost caches, and always includes the lowest level of cache, that is, L1 cache. Outer cache refers to L2 cache. No cache controlled by the inner cacheability attributes can lie outside a cache controlled by the outer cacheability attributes.

## Memory Barriers

A memory barrier is an instruction or sequence of instructions that forces synchronization events by a processor with respect to retiring load/store instructions. Cortex-A9 CPU requires three explicit memory barriers to support the memory order model. They are:

- Data memory barrier
- Data synchronization barrier
- Instruction synchronization barrier

These barriers provide the functionality to order and complete load/store instructions. This also helps in context synchronization.

### Data Memory Barrier (DMB)

In a program, the use of the DMB instruction ensures that all of the instructions that access memory should be completed/observed in the system before any memory access instructions that come up after the DMB instruction. It does not affect the ordering of any other instructions executing on the processor, or of instruction fetches.

#### *Example: Weakly Ordered Message Passing Problem*

Consider the following instructions executing on processor P1 and P2:

```
P1:
  STR R5, [R1]      ; set new data
  STR R0, [R2]      ; send flag indicating data ready
P2:
  WAIT ([R2]==1)    ; wait on flag
  LDR R5, [R1]      ; read new data
```

Here, the order of memory accesses seen by the other processor might not be the order that appears in the program, for either loads or stores. The addition of barriers ensures that the observed order of both the reads and the writes allow transfer of data correctly.

```
P1:
  STR R5, [R1]      ; set new data
  DMB                ; ensure that all observers see data before the flag
  STR R0, [R2]      ; send flag indicating data ready
P2:
  WAIT ([R2]==1)    ; wait on flag
  DMB                ; ensure that the load of data is after the flag has been observed
  LDR R5, [R1]
```



## Data Synchronization Barrier (DSB)

The DSB instruction has the same effect as the DMB, but in addition to this, it also synchronizes the memory accesses with the full instruction stream, not just other memory accesses. This means that when a DSB is issued, execution stalls until all outstanding explicit memory accesses have completed. When all outstanding reads have completed and the write buffer is drained, execution resumes as normal. There is no effect on pre-fetching of instructions. An example of DSB use is discussed in the following section.

### *Example: Instruction Cache Maintenance Operations*

The multiprocessing extensions require that a DSB is executed by the processor which issued an instruction cache maintenance instruction to ensure its completion; this also ensures that the maintenance operation is completed on all cores within the shareable (not outer-shareable) domain.

ISB is not broadcast, and so does not have an effect on other cores. This requires that other cores perform their own ISB synchronization once it is known that the update is visible, if it is necessary to ensure the synchronization of those other cores.

P1:

```

STR R11, [R1]      ; R11 contains a new instruction to be stored in program memory
DCCMVAU R1        ; clean to PoU (Point of Unification) makes it visible to instruction cache
DSB               ; ensure completion of the clean on all processors
ICIMVAU R1        ; ensure instruction cache/branch predictor discard stale data
BPIMVA R1
DSB               ; ensure completion of the ICache and branch predictor
                  ; Invalidation on all processors
STR R0, [R2]      ; set flag to signal completion
ISB               ; synchronize context on this processor
BX R1             ; branch to new code

```

P2:

```

WAIT ([R2] == 1)  ; wait for flag signaling completion
ISB               ; synchronize context on this processor
BX R1             ; branch to new code

```

## Instruction Synchronization Barrier (ISB)

This flushes the pipeline and pre-fetch buffer(s) in the processor, so that all instructions following the ISB are fetched from cache or memory, after the instruction has completed. This ensures that the effects of context altering operations (for example, CP15 or ASID changes or TLB or branch predictor operations), executed before the ISB instruction are visible to any instructions fetched after the ISB. This does not in itself cause synchronization between data and instruction caches, but is required as a part of such an operation.

## Mismatched Memory Attributes

A physical memory location is accessed with mismatched attributes if all accesses to the location do not use a common definition of all of the following attributes of that location:

- Memory types: strongly-ordered, device, or normal
- Shareability
- Cacheability

The following rules apply when a physical memory location is accessed with mismatched attributes:

1. When a memory location is accessed with mismatched attributes, the only software visible effects are one or more of the following:
  - Uni-processor semantics for reads and writes to that memory location might be lost. This means:
    - A read of the memory location by a thread of execution might not return the value most recently written to that memory location by that thread of execution.
    - Multiple writes to a memory location by a thread of execution which uses different memory attributes might not be ordered in program order.
  - There might be a loss of coherency when multiple threads of execution attempt to access a memory location.
  - There might be a loss of properties derived from the memory type.
2. If the mismatched attributes for a location mean that multiple cacheable accesses to the location might be made with different shareability attributes, then coherency is guaranteed only if each thread of execution that accesses the location with a cacheable attribute performs a clean and invalidate of the location.
3. The possible loss of properties caused by mismatched attributes for a memory location are defined more precisely if all of the mismatched attributes define the memory location as one of:
  - Strongly-ordered memory
  - Device memory
  - Normal inner non-cacheable, outer non-cacheable memory

In these cases, the only possible software-visible effects of the mismatched attributes are one or more of:

- A possible loss of properties derived from the memory type when multiple threads of execution attempt to access the memory location
  - A possible re-ordering of memory transactions to the memory location that use different memory attributes, potentially leading to a loss of coherency or uni-processor semantics. Any possible loss of coherency or uniprocessor semantics can be avoided by inserting DMB barrier instructions between accesses to the same memory location that might use different attributes.
4. If the mismatched attributes for a memory location all assign the same shareability attribute to the location, any loss of coherency within a shareability domain can be avoided. To do so, software must use the techniques that are required for the software management of the coherency of cacheable locations between threads of execution in different shareability domains. This means:
    - If any thread of execution might have written to the location with the write-back attribute, before writing to the location not using the write-back attribute, a thread of execution must invalidate, or clean, the location from the caches. This avoids the possibility of overwriting the location with stale data.

- After writing to the location with the write-back attribute, a thread of execution must clean the location from the caches to make the write visible to external memory.
- Before reading the location with a cacheable attribute, a thread of execution must invalidate the location from the caches to ensure that any value held in the caches reflects the last value made visible in external memory.

In all cases:

- Location refers to any byte within the current coherency granule.
  - A clean and invalidate operation can be used instead of a clean operation, or instead of an invalidate operation.
  - To ensure coherency, all cache maintenance and memory transactions must be completed, or ordered by the use of barrier operations.
5. If all aliases of a memory location that permit write access to the location assign the same shareability and cacheability attributes to that location, and all these aliases use a definition of the shareability attribute that includes all the threads of execution that can access the location, then any thread of execution that reads the memory location using these shareability and cacheability attributes accesses it coherently, to the extent required by that common definition of the memory attributes.

### 3.2.5 Memory Management Unit (MMU)

The MMU in the ARM architecture involves both memory protection and address translation. The MMU works closely with the L1 and L2 memory systems in the process of translating virtual addresses to physical addresses. It also controls accesses to and from the external memory.

The MMU is compatible with the Virtual Memory System Architecture version 7 (VMSAv7) requirements supporting 4 KB, 64 KB, 1 MB, and 16 MB page table entries and 16 access domains. The unit provides global and application-specific identifiers to remove the requirement for context switch TLB flushes and has the capability for extended permission checks. Please see the *ARM Architecture Reference Manual* for a full architectural description of the VMSAv7.

The processor implements the ARMv7-A MMU enhanced with security extensions and multiprocessor extensions to provide address translation and access permission checks. The MMU controls table-walk hardware that accesses translation tables in main memory. The MMU enables fine-grained memory system control through a set of virtual-to-physical address mappings and memory attributes held in instruction and data translation look-aside buffers (TLBs).

In summary, the MMU is responsible for the following operations:

- Checking of virtual address and ASID (address space identifier)
- Checking of domain access permissions
- Checking of memory attributes
- Virtual-to-physical address translation
- Support for four page (region) sizes
- Mapping of accesses to cache, or external memory
- Four entries in the main TLB are lockable

## MMU Functional Description

The key feature of MMU is the address translation. It translates addresses of code and data from the virtual view of memory to the physical addresses in the real system. It enables tasks or applications to be written in a way which requires them to have no knowledge of the physical memory map of the system, or about other programs which might be running at the same time. This makes programming of applications much simpler, as it enables to use the same virtual memory address space for each. This virtual address space is separate from the actual physical map of memory in the system.

The translation process is based on translation entries stored in the translation table. Refer to [Translation Tables](#) for more details. The two major functional units, shown in [Figure 3-4](#), exist in the MMU to provide address translation automatically based on the table entries:

- The table walker automatically retrieves the correct translation table entry for a requested translation.
- The translation look-aside buffer (TLB) stores recently used translation entries, acting like a cache of the translation table.

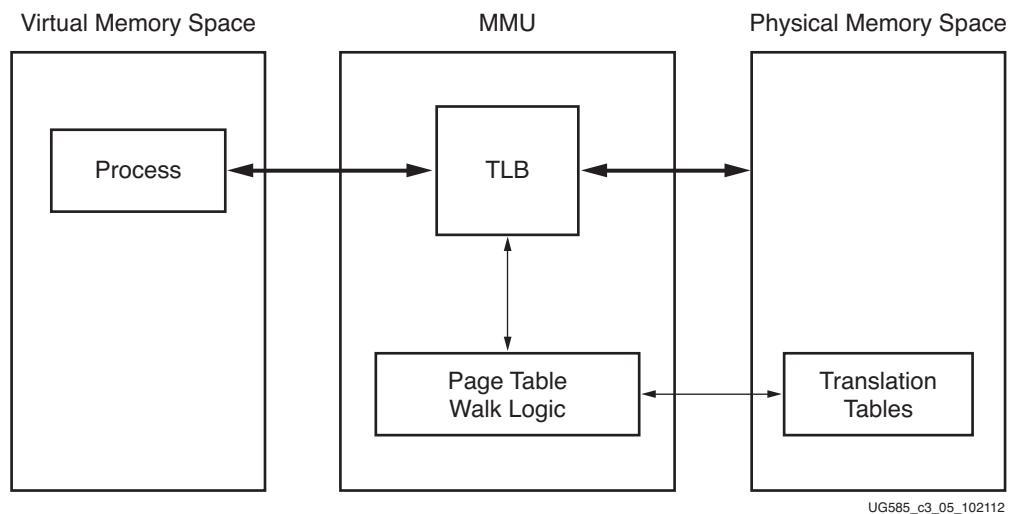


Figure 3-4: MMU Architecture Block Diagram

## Translation Tables

The translation of virtual to physical addresses is based on entries in translation tables; they are often called as page tables. These contain a series of entries, each of which describes the physical address translation for part of the memory map. Translation table entries are organized by virtual address. Each virtual address corresponds to exactly one entry in the translation table. In addition to describing the translation of that virtual page to a physical page, they also provide access permissions and memory attributes for that page or block. A single set of translation tables is used to give the translations and memory attributes which apply to instruction fetches and to data reads or writes. The process in which the MMU accesses page tables to translate addresses is known as page table walking.

When developing a table-based address translation scheme, one of the most important design parameters is the memory page size described by each translation table entry. MMU instances

support 4 KB and 64 KB pages, a 1 MB section, and a 16 MB super-section. Using bigger page sizes means a smaller translation table. Using a smaller page size, 4 KB, greatly increases the efficiency of dynamic memory allocation and defragmentation, but it would require one million entries to span the entire 4 GB address range. To reconcile these two requirements, the Cortex-A9 Processor MMU supports multi-level page table architecture with two levels of page table: level 1 (L1) and level 2 (L2), which are discussed in the following sub-sections.

### Level 1 Page Tables

Level 1 page table sometimes called as a master page table, which divides the full 4 GB address space into 4,096 equally sized 1 MB sections. The L1 page table therefore contains 4,096 entries, each entry being word sized. Each entry can either hold a pointer to the base address of a level 2 page table or a page table entries for translating a 1 MB section. If the page table entry is translating a 1 MB section, it gives the base address of the 1 MB page in physical memory. The base address of the L1 page table is known as the translation table base address (TTB) and is held within a register in CP15 c2. It must be aligned to a 16 KB boundary.

- An L1 page table entry can be one of four possible types; the least significant two bits [1:0] in the entry define which one of these the entry contains:
- A fault entry that generates an abort exception. This can be either a pre-fetch or data abort, depending on the type of memory access. This effectively indicates virtual addresses which are unmapped.
- A 1 MB section translation entry.
- An entry that points to an L2 page table. This enables a 1 MB piece of memory to be further sub-divided into smaller pages.
- A 16 MB super-section. This is a special kind of 1 MB section entry, which requires 16 entries in the page table.

	31 24	23 23	19	18	17	16	15	14 13 12	11 10	9	8 7 6 5	4	3	2	1	0	
Fault	IGNORE														0	0	
Page Table	Page Table Base Address, bits [31:10]										0	Domain	SBZ	NS	SBZ	0	1
Section	Section Base Address, PA [31:20]		NS	0	nG	S	AP[2]	TEX[2:0]	AP[1:0]	0	Domain						
Supersection	Supersection Base Address PA[31:24] Extended Base Address PA[35:32]		NS	1	nG	S	AP[2]	TEX[2:0]	AP[1:0]	0	Extended Base Address PA[39:36]	XN	C	B	1	0	
Reserved	Reserved														1	1	

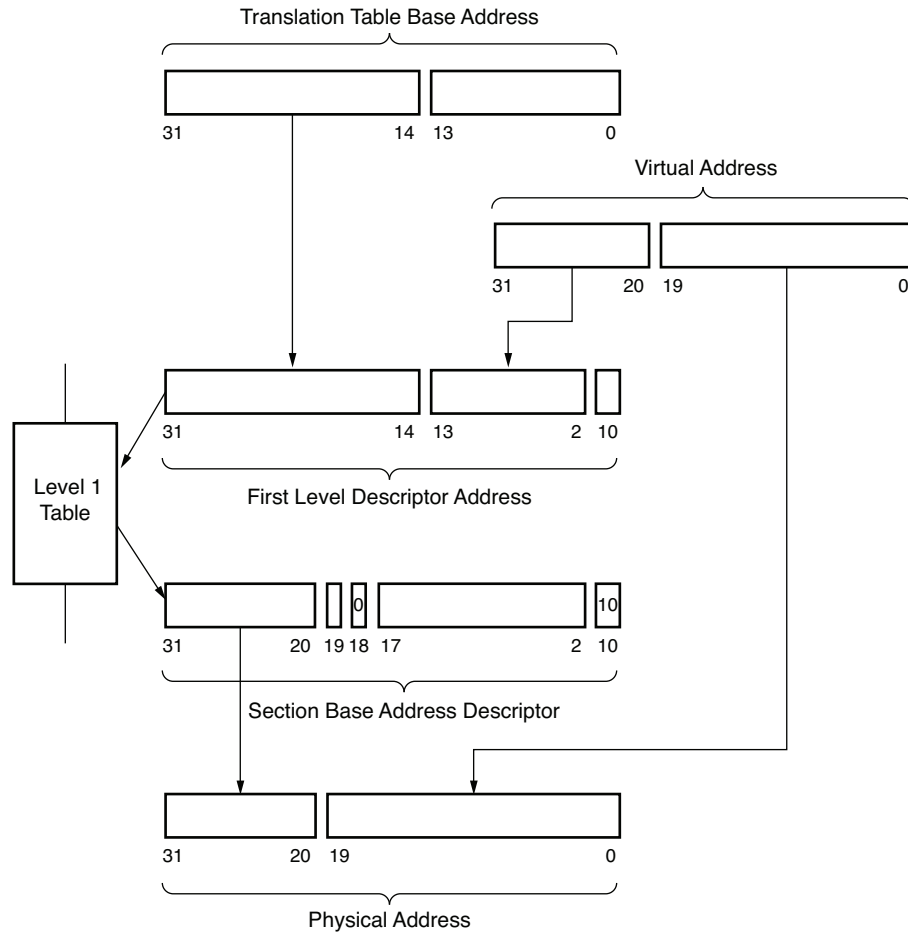
UG585\_c3\_06\_120713

Figure 3-5: L1 Page Table Entry Format

The page table entry for a section (or super-section) contains the physical base address used to translate the virtual address. Many other bits listed in the page-table entry, including the access permissions (AP) and memory region attributes TEX, cacheable (C) or bufferable (B) types are examined in the next section.

**Example: Generation of a Physical Address from a L1 Page Table Entry**

Assume an L1 page table is placed at address 0x12300000. The processor core issues virtual address 0x00100000. The top 12 bits [31:20] define which 1 MB of virtual address space is being accessed. In this case 0x001, so you need to read table entry [1]. Each entry is one word (4 bytes). To get the offset into the table, you must multiply the entry number by entry size: 0x001 \* 4 = address offset of 0x004. The address of the entry is 0x12300000 + 0x004 = 0x12300004. So, upon receiving this virtual address from the processor, the MMU reads the word from address 0x12300004.



UG585\_c3\_07\_102112

Figure 3-6: Generating a Physical Address from an L1 Page Table Entry

## Level 2 Page Tables

An L2 page table has 256 word-sized entries, requires 1KB of memory space and must be aligned to a 1KB boundary. Each entry translates a 4KB block of virtual memory to a 4KB block in physical memory. A page table entry can give the base address of either a 4KB or 64KB page. There are three types of entry used in L2 page tables, identified by the value in the two least significant bits of the entry:

- A large page entry points to a 64 KB page.
- A small page entry points a 4 KB page.
- A fault page entry generates an abort exception if accessed.

	31		16	15	14	13	12	11	10	9	8	7	6	5	4	3	2	1	0	
Fault	IGNORE																	0	0	
Large Page	Large Page Base Address			MX	TEX [2:0]		nG	S	APX	SBZ		AP	C	B	0	1				
Small Page	Small Page Base Address						nG	S	APX	TEX [2:0]		AP	C	B	1	MX				

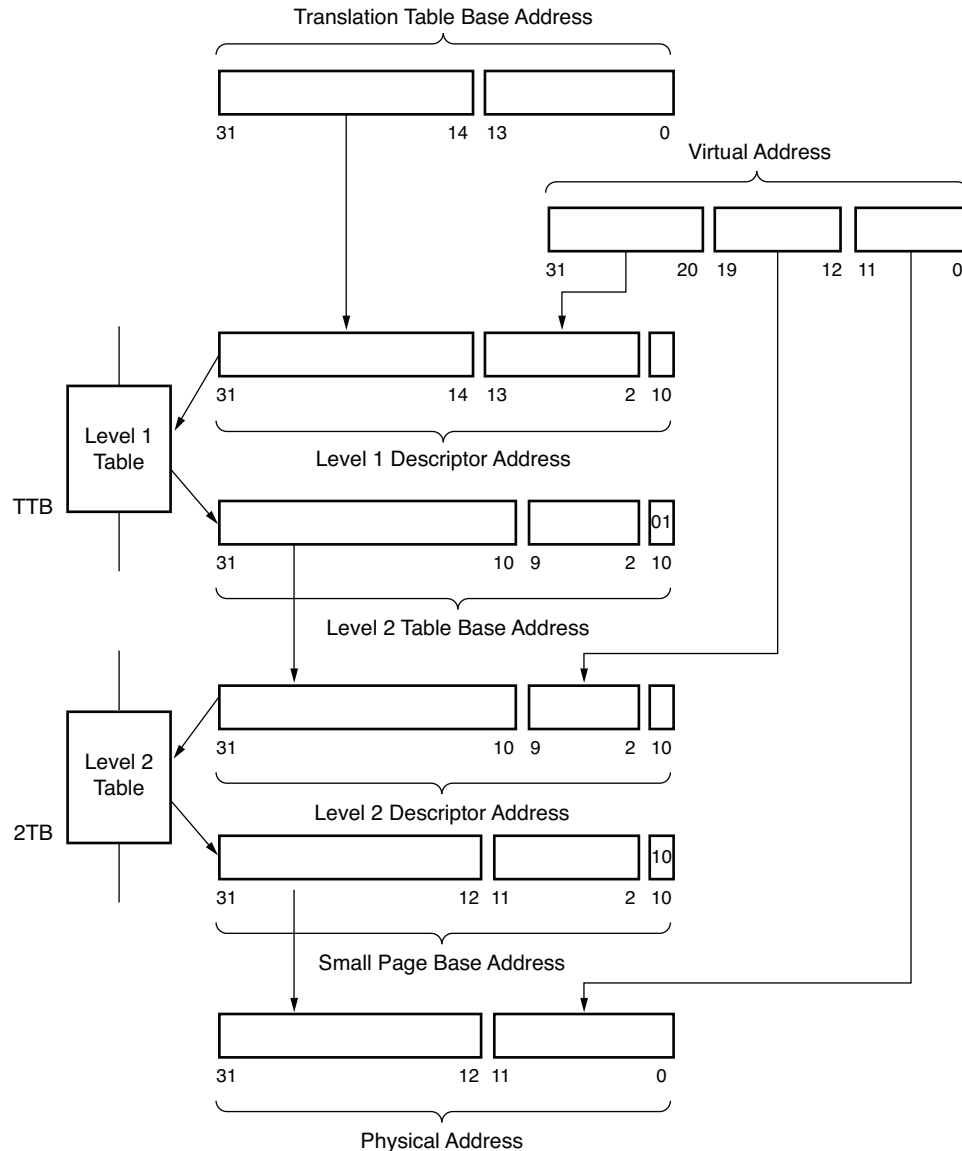
UG585\_c3\_08\_1022112

Figure 3-7: L2 Page Table Entry Format

The fields mentioned in Figure 3-7 are discussed in [Description of Page Table Entry Fields](#).

Figure 3-8 summarizes the address translation process when using two layers of page tables. The bits [31:20] of the virtual address are used to index into the 4096-entry L1 page table, where the base address is given by the CP15 TTB register. The L1 page table entry points to an L2 page table, which contains 256 entries. Bits [19:12] of the virtual address are used to select one of those entries which then gives the base address of the page. The final physical address is generated by combining that base address with the remaining bits of the physical address.





UG585\_c3\_09\_102112

Figure 3-8: Generating a Physical Address from an L2 Page Table Entry

## Description of Page Table Entry Fields

### Memory Access Permissions (AP and APx)

The access permission (AP and APx) bits in the page table entry give the access permission for a page. An access which does not have the necessary permission (or which faults) is aborted. On a data access, this results in a precise data abort exception. On an instruction fetch, the access is marked as aborted and if the instruction is not subsequently flushed before execution, a pre-fetch abort exception is taken. Information about the address of the faulting location and the reason for the fault is stored in CP15 (the fault address and fault status registers). The abort handler can then take appropriate action. Table 3-2 lists the access permission encodings.

Table 3-2: Access Permission Encodings

APX	AP1	AP0	Privileged	Unprivileged	Description
0	0	0	No access	No access	Permission fault
0	0	1	Read/Write	No access	Privileged access only
0	1	0	Read/Write	Read	No user-mode write
0	1	1	Read/Write	Read/Write	Full access
1	0	0	~	~	Reserved
1	0	1	Read	No access	Privileged Read only
1	1	0	Read	Read	Read only
1	1	1	~	~~	Reserved

### Memory Attributes (TEX, C and B bits)

TEX, C, and B bits within the page table entry are used to set the memory attributes of a page and also the cache policies to be used. Memory attributes are discussed in 3.2.4 Memory Ordering, and for various cache policies refer to the ARM Technical Reference Manual. Table 3-3 and Table 3-4 summarize these memory attributes.

Table 3-3: Memory Attributes Encodings

TEX [2:0]	C	B	Description	Memory Type
0	0	0	Strongly-ordered	Strongly ordered
0	0	1	shareable device	Device
0	1	0	Outer and Inner write through, no allocate on write	Normal
0	1	1	Outer and Inner write back, no allocate on write	Normal
1	0	0	Outer and Inner non-cacheable	Normal
1	-	-	Reserved	-
10	1	0	Non-Shareable device	Device
10	-	-	Reserved	-
11	-	-	Reserved	-
1XX	Y	Y	Cached memory XX – Outer Policy YY – Inner Policy	Normal

Table 3-4: Memory Attributes Encodings

Encoding Bits		Cache Attribute
C	B	
0	0	Non-cacheable
0	1	Write-back, write-allocate
1	0	Write-through, no write-allocate
1	1	Write-back, no write-allocate

## Domains

A domain is a collection of memory regions. Domains are only valid for L1 page table entries. The L1 page table entry format supports 16 domains, and requires the software that defines a translation table to assign each memory region to a domain. The domain field specifies which of the 16 domains the entry is in, and a two-bit field in the Domain Access Control register (DACR) defines the permitted access for each domain. The possible settings for each domain are:

- No access – Any access using the translation table descriptor generates a Domain fault.
- Clients – On an access using the translation table descriptor, the access permission attributes are checked. Therefore, the access might generate a permission fault.
- Managers – On an access using the translation table descriptor, the access permission attributes are not checked. Therefore, the access cannot generate a Permission fault.

## Shareable bit (S)

This bit determines whether the translation is for sharable memory.  $S = 0$ , the memory location is non-shareable, and  $S = 1$ , it is sharable. For more information, refer to shareable attributes in section [3.2.4 Memory Ordering](#).

## Non-Global Region Bit (nG)

The nG bit in the translation table entry permits the virtual memory map to be divided into global and non-global regions. Each non-global region ( $nG = 1$ ) has an associated address space identifier (ASID), which is a number assigned by the OS to each individual task. If the nG bit is set for a particular page, that page is associated with a specific application and is not global. This means that when the MMU performs a translation, it uses both the virtual address and an ASID values. When a page table walk occurs and the TLB is updated and the entry is marked as non-global, the ASID value is stored in the TLB entry in addition to the normal translation information. Subsequent TLB look-ups only match on that entry if the current ASID matches with the ASID that is stored in the entry. This means you can have multiple valid TLB entries for a particular page (marked as non-global), but with different ASID values. This significantly reduces the software overhead of context switches, as it avoids the need to flush the on-chip TLBs.

## Execute Never bit (xN)

When a memory location is marked as Execute Never (its XN attribute is set to 1) in a Client domain, instructions are not allowed to fetch/prefetch. Any region of memory that is read-sensitive must be marked as Execute Never to avoid the possibility of a speculative prefetch accessing the memory region. For example, any memory region that corresponds to a read-sensitive peripheral must be marked as Execute Never.

## TLB Organization

The Cortex-A9 MMU includes two levels of TLBs which include a unified TLB for both instruction and data and separate micro TLBs for each. The micro TLBs act as the first level TLBs and each have 32 fully associative entries. If an instruction fetch or a load/store address misses in the corresponding micro TLB, the unified or main TLB is accessed. The unified main TLB provides a 2-way associative 2x64 entry table (128 entries) and supports four lockable entries using the lock-by-entry model. The

TLB uses a pseudo round-robin replacement policy to determine which entry in the TLB should be replaced in the case of a miss.

Unlike some other RISC processors that require software to manage the updates of the TLB from the page table that resides in the memory, the main TLB in Cortex-A9 supports hardware page table walks to perform look-ups in the L1 data cache. This allows the page tables to be cached.

The MMU can be configured to perform hardware translation table walks in cacheable regions by setting the IRGN bits in the Translation Table Base registers. If the encoding of the IRGN bits is write-back, then an L1 data cache look-up is performed and data is read from the data cache. If the encoding of the IRGN bits is write-through or non-cacheable, then an access to external memory is performed.

TLB entries can be global, or can be assigned to particular processes or applications using the ASIDs associated with those processes. ASIDs enable TLB entries remain resident during context switches, avoiding the requirement of reloading them subsequently.

**Note:** The ARM Linux kernel manages the 8-bit TLB ASID space globally across all CPUs instead of on a per-CPU basis. The ASID is incremented for each new process. When the ASID rolls over (ASID = 0) a TLB flush request is sent to both CPUs. However, only the CPU that is in the middle of a context switch immediately updates its current ASID context. The other CPU continues to run using its current pre-rollover ASID until a scheduling interval occurs and then it context switches to a new process.

TLB maintenance and configuration operations are controlled through a dedicated coprocessor, CP15, integrated within the core. This coprocessor provides a standard mechanism for configuring the level one memory system.

### Micro TLB

The first level of caching for the page table information is a micro TLB of 32 entries implemented on each of the instruction and data sides. These blocks provide a fully associative look-up of the virtual addresses in a cycle.

The micro TLB returns the physical address to the cache for the address comparison, and also checks the protection attributes to signal either a pre-fetch abort or a data abort.

All main TLB related operations affect both the instruction and data micro TLBs, causing them to be flushed. In the same way, any change of the Context ID register causes the micro TLBs to be flushed. The main or unified TLB, explained in the next section, should be invalidated after a CPU reset and before the MMU is enabled.

### Main TLB

The main TLB is the second layer in the TLB structure that catches the misses from the Micro TLBs. It also provides a centralized source for lockable translation entries.

Misses from the instruction and data micro TLBs are handled by a unified main TLB. Accesses to the main TLB take a variable number of cycles, according to competing requests from each of the micro TLBs and other implementation-dependent factors.

Entries in the lockable region of the main TLB are lockable at the granularity of a single entry. As long as the lockable region does not contain any locked entries, it can be allocated with non-locked entries to increase overall main TLB storage size.

### Translation Table Base Register 0 and 1

When managing multiple applications with their individual page tables, there is a need to have multiple copies of the L1 page table, one for each application. Each of these are 16 KB in size. Most of the entries are identical in each of the tables, as typically only one region of memory is task-specific, with the kernel space being unchanged in each case. Furthermore, if there is a need to modify a global page table entry, the change is needed in each of the tables.

To help reduce the effect of these problems, a second page table base register can be used. CP15 contains two page table base registers, TTBR0 and TTBR1. A control register (the TTB Control register) is used to program a value in the range 0 to 7. This value (denoted by N) tells the MMU how many upper bits of the virtual address it should check to determine which of the two TTB registers to use. When N is 0 (the default), all virtual addresses are mapped using TTBR0. With N in the range 1-7, the hardware looks at the most significant bits of the virtual address. If the N most significant bits are all zero, TTBR0 is used, otherwise TTBR1 is used.

TTBR0 is used typically for process-specific addresses. On a context switch, TTBR0 is updated to point to the first-level translation table for the new context and TTBCR is updated if this change changes the size of the translation table. This table ranges in size from 128 bytes to 16 KB.

TTBR1 is used for operating system and I/O addresses that do not change on a context switch. The size of this table is always 16 KB.

### TLB Match Process

Each TLB entry contains a virtual address, a page size, a physical address, and a set of memory properties. Each is marked as being associated with a particular application space, or as global for all application spaces. A TLB entry matches if bits [31: N] of the modified virtual address (MVA) match, where N is  $\log_2$  of the page size for the TLB entry. It is either marked as global, or the ASID matched the current ASID.

A TLB entry matches when these conditions are true:

- Its virtual address matches that of the requested address.
- Its non-secure TLB ID (NSTID) matches the secure or non-secure state of the MMU request.
- Its ASID matches the current ASID or is global.

The operating system must ensure that, at most, one TLB entry matches at any time. A TLB can store entries based on the following block sizes:

<b>Supersections:</b>	16 MB blocks of memory
<b>Sections:</b>	1 MB blocks of memory
<b>Large pages:</b>	64 KB blocks of memory
<b>Small pages:</b>	4 KB blocks of memory

Supersections, sections, and large pages are supported to permit mapping of a large region of memory while using only a single entry in a TLB. If no mapping for an address is found within the TLB, then the translation table is automatically read by hardware and a mapping is placed in the TLB. (The translation table entries are discussed in detail in [Translation Table Base Register 0 and 1, page 85](#))

## Memory Access Sequence

When the processor generates a memory access, the MMU:

1. Performs a look-up for the requested virtual address and current ASID and security state in the relevant instruction or data micro TLB.
2. If there is a miss in the micro TLB, performs a look-up for the requested virtual address and current ASID and security state in the main TLB.
3. If there is a miss in main TLB, performs a hardware translation table walk.

The MMU might not find a global mapping or a mapping for the currently selected ASID with a matching non-secure TLB ID (NSTID) for the virtual address in the TLB. In this case, the hardware does a translation table walk if the translation table walk is enabled by the PD0 or PD1 bit in the TTB Control register. If translation table walks are disabled, the processor returns a section translation fault.

If the MMU finds a matching TLB entry, it uses the information in the entry as follows:

1. The access permission bits and the domain determine if the access is enabled. If the matching entry does not pass the permission checks, the MMU signals a memory abort. See the *ARM Architecture Reference Manual* for a description of access permission bits, abort types and priorities, and for a description of the Instruction Fault Status register (IFSR) and Data Fault Status register (DFSR).
2. The memory region attributes specified in both the TLB entry and the CP15 c10 remap registers control the cache and write buffer, and determine if the access is:
  - a. Secure or non-secure
  - b. Shared or not
  - c. Normal memory, device, or strongly-ordered
3. The MMU translates the virtual address to a physical address for the memory access.

If the MMU does not find a matching entry, a hardware table walk occurs.

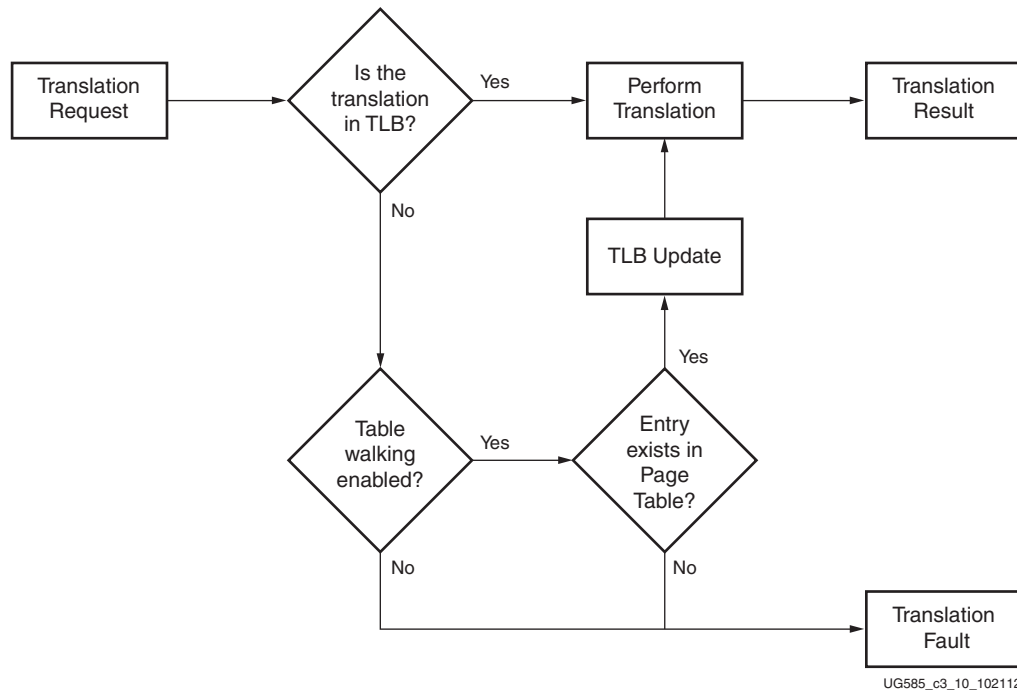


Figure 3-9: Translation Process

## TLB Maintenance Operations

The following rules describe the TLB maintenance operations:

- A TLB invalidate operation is complete when all memory accesses using the TLB entries that have been invalidated have been observed by all observers to the extent that those accesses are required to be observed, as determined by the shareability and cacheability of the memory locations accessed by the accesses. In addition, once the TLB invalidate operation is complete, no new memory accesses that can be observed by those observers using those TLB entries will be performed.
- A TLB maintenance operation is only guaranteed to be complete after the execution of a DSB instruction.
- An ISB instruction, or a return from an exception, causes the effect of all completed TLB maintenance operations that appear in program order before the ISB or return from exception to be visible to all subsequent instructions, including the instruction fetches for those instructions.
- An exception causes all completed TLB maintenance operations that appear in the instruction stream before the point where the exception was taken to be visible to all subsequent instructions, including the instruction fetches for those instructions.
- All TLB maintenance operations are executed in program order relative to each other.
- The execution of a Data or Unified TLB maintenance operation is guaranteed not to affect any explicit memory access of any instruction that appears in program order before the TLB maintenance operation. This means no memory barrier instruction is required. This ordering is guaranteed by the hardware implementation.
- The execution of a Data or Unified TLB maintenance operation is only guaranteed to be visible to a subsequent explicit load or store operation after both:

- The execution of a DSB instruction to ensure the completion of the TLB operation.
- A subsequent ISB instruction, or taking an exception, or returning from an exception.
- The execution of an instruction or unified TLB maintenance operation is only guaranteed to be visible to subsequent instruction fetch after both:
  - The execution of a DSB instruction to ensure the completion of the TLB operation.
  - A subsequent ISB instruction, or taking an exception, or returning from an exception.

The following rules apply when writing translation table entries. They ensure that the updated entries are visible to subsequent accesses and cache maintenance operations.

- A write to the translation tables, after it has been cleaned from the cache if appropriate, is only guaranteed to be seen by a translation table walk caused by an explicit load or store after the execution of both a DSB and an ISB. However, it is guaranteed that any writes to the translation tables are not seen by any explicit memory access that occurs in program order before the write to the translation tables.
- If the translation tables are held in write-back cacheable memory, the caches must be cleaned to the point of unification after writing to the translation tables and before the DSB instruction. This ensures that the updated translation table is visible to a hardware translation table walk.
- A write to the translation tables, after it has been cleaned from the cache if appropriate, is only guaranteed to be seen by a translation table walk caused by the instruction fetch of an instruction that follows the write to the translation tables after both a DSB and an ISB.

## TLB Lockdown

The TLB supports the TLB lock-by-entry model as described in the *ARM Architecture Reference Manual*. See the TLB Lockdown register description in the *ARM Cortex-A9 Technical Reference Manual*.

## 3.2.6 Interfaces

### AXI and Coherency Interfaces

Each Cortex-A9 processor provides two 64-bit pseudo AXI master interfaces for independent instruction fetch and data transactions. These interfaces operate at the speed of the processor cores (CPU\_6x4x clock) and are capable of sustaining four double-word writes every five processor cycles when copying data across a cached region of memory. The instruction side interface is a read-only interface and does not have the write channel. These interfaces implement an extended version of the AXI protocol that also provides multiple optimizations to the L2 cache including support for L2 pre-fetch hints and speculative memory accesses. These optimizations are explained in more detail in the [L2-Cache](#) section of this chapter.

The AXI transactions are all routed through the SCU to the OCM or the L2 cache controller based on their addresses. Each Cortex-A9 also provides a cache coherency bus (CCB) to the SCU to provide the information required for coherency management between the L1 and L2 caches.



## Debug and Trace Interfaces

Each Cortex-A9 processor has a standard 32-bit APB slave port that operates at the CPU\_1x clock frequency and is accessed through the debug APB bus master in the SOC debug block. The operation of this block is explained in the corresponding chapter of this document.

The Cortex-A9 processors also include a pair of interfaces for trace generation and cross trigger control. The trace source interface from each core is a 32-bit CoreSight standard ATB master port that operates at the speed of the PS interconnect (CPU\_2x clock), and is connected to the funnel in the SOC debug block. Each core also has a 4-bit standard CoreSight cross trigger interface that operates at the interconnect frequency (CPU\_2x clock) and is connected to the cross trigger matrix (CTM) in the SOC debug block.

## Other Interfaces

Each Cortex-A9 processor has multiple control bits that are driven through the System-Level Control register (SLCR). This includes a 4-bit interface that drives the CoreSight standard security signals and also static configuration signals for controlling CP15 and SW programmability.

There are also other interfaces including the event and interrupt interfaces that are explained later in this chapter.

## 3.2.7 NEON

- The Cortex-A9 NEON MPE extends the Cortex-A9 functionality to provide support for the ARM v7 advanced SIMD and vector floating-point v3 (VFPv3) instruction sets. The Cortex-A9 NEON MPE supports all addressing modes and data processing operations described in the *ARM Architecture Reference Manual*.

The Cortex-A9 NEON MPE features are:

- SIMD vector and scalar single-precision floating-point computation
  - Unsigned and signed integers
  - Single bit coefficient polynomials
  - Single-precision floating-point values
- The operations supported by the NEON co-processor include:
  - Addition and subtraction
  - Multiplication with optional accumulation
  - Maximum or minimum value driven lane selection operations
  - Inverse square-root approximation
  - Comprehensive data-structure load instructions, including register-bank-resident table lookup.
- Scalar double-precision floating-point computation
- SIMD and scalar half-precision floating-point conversion
- 8, 16, 32, and 64-bit signed and unsigned integer SIMD computation

- 8 or 16-bit polynomial computation for single-bit coefficients
- Structured data load capabilities
- Dual issue with Cortex-A9 processor ARM or Thumb instructions
- Independent pipelines for VFPv3 and advanced SIMD instructions
- Large, shared register file, addressable as:
  - Thirty-two 32-bit S (single) registers
  - Thirty-two 64-bit D (double) registers
  - Sixteen 128-bit Q (quad) registers

See the *ARM Architecture Reference Manual* for details of the advanced SIMD instructions and the NEON MPE operation.

## 3.2.8 Performance Monitoring Unit

The Cortex-A9 processor includes a performance monitoring unit (PMU) which provides six counters to gather statistics on the operation of the processor and memory system. Each counter can count any of 58 events available in the Cortex-A9 processor. The PMU counters and their associated control registers are accessible from the internal CP15 interface as well as from the DAP interface. For details, refer to the Performance Monitoring Unit section in the *ARM Cortex-A9 Technical Reference Manual*.

---

## 3.3 Snoop Control Unit (SCU)

### 3.3.1 Summary

The SCU block connects the two Cortex-A9 processors to the memory subsystem and contains the intelligence to manage the data cache coherency between the two processors and the L2 cache. This block is responsible for managing the interconnect arbitration, communication, cache and system memory transfers, and cache coherence for the Cortex-A9 processors. The APU also exposes the capabilities of the SCU to system accelerators that are implemented in the PL through the accelerator coherency port (ACP) interface (see [ACP Interface, page 103](#)). This interface allows PL masters to share and access the processor cache hierarchy. The offered system coherence here not only improves performance but also reduces the software complexity involved in otherwise maintaining software coherency within each OS driver.

The SCU block communicates with each of the Cortex-A9 processors through a cache coherency bus (CCB) and manages the coherency between the L1 and the L2 caches. The SCU supports MESI snooping which provides increased power efficiency and performance by avoiding unnecessary system accesses. The block implements duplicated 4-way associative tag RAMs acting as a local directory that lists coherent cache lines held in the CPU L1 data caches. The directory allows the SCU to check if data is in the L1 data caches with great speed and without interrupting the processors. Also, accesses can be filtered only to the processor that is sharing the data.

The SCU can also copy clean data from one processor cache to another and eliminate the need for main memory accesses to perform this task. Furthermore, it can move dirty data between the processors, skipping the shared state and avoiding the latency associated with the write-back.



---

**IMPORTANT:** *It is important to note that the Cortex-A9 does not guarantee coherency between the L1 instructions caches as the processor is not capable of modifying the L1 contents directly.*

---

## 3.3.2 Address Filtering

One of the functions of the SCU is to filter transactions that are generated by the processors and the ACP based on their addresses and route them accordingly to the OCM or L2 controller. The granularity of the address filtering within the SCU is 1 MB; therefore, all accesses by the processors or through the ACP whose addresses are within a 1 MB window can only target the OCM or L2 controller. The default setting of the address filtering within the SCU routes all the upper and lower 1M addresses within the 4G address space to the OCM and the rest of the addresses are routed to the L2 controller. Refer to the [SCU Address Filtering](#) section of [Chapter 29, On-Chip Memory \(OCM\)](#) for more information on the SCU address filtering.

## 3.3.3 SCU Master Ports

Each of the SCU AXI master ports to the L2 or OCM has the following write and read issuing capabilities:

- Write issuing capability:
  - 10 write transactions per processor:
    - 8 non-cacheable writes
    - 2 evictions from L1
  - 2 additional writes for eviction traffic from the SCU
  - 3 more write transactions from the ACP
- Read issuing capability:
  - 14 read transactions per processor:
    - 4 instruction reads
    - 6 linefill reads
    - 4 non-cacheable read
  - 7 more read transactions from the ACP

## 3.4 L2-Cache

### 3.4.1 Summary

The L2 cache controller is based on the ARM PL310 and includes an 8-way set-associative 512 KB cache for dual Cortex-A9 cores. The L2 cache is physically addressed and physically tagged and supports a fixed 32-byte line size. These are the main features of the L2 cache:

- Supports snoop coherency control utilizing MESI algorithm.
- Offers parity check for L2 cache memory.
- Supports speculative read operations in the SMP mode.
- Provides L1/L2 exclusive mode (that is, data exists in either, but not both).
- Can be locked down by master, line, or way per master.
- Implements 16-entry deep preload engine for loading data into L2 cache memory.
- To improve latency, critical-word-first line-fill is supported.
- Implements pseudo-random victim selection policy with deterministic option.
  - Write-through and write-back.
  - Read allocate, write allocate, read and write allocate.
- The contents of the L2 data and tag RAMs are cleared upon an L2 reset to comply with security requirements.
- The L2 controller implements multiple 256-bit line buffers to improve cache efficiency.
  - Line fill buffers (LFBs) for external memory access to create a complete cache line into L2 cache memory. Four LFBs are implemented for AXI read interleaving support.
  - Two 256-bit line read buffers for each slave port. These buffers hold a line from the L2 cache in case of cache hit.
  - Three 256-bit eviction buffers hold evicted lines from the L2 cache, to be written back to main memory.
  - Three 256-bit store buffers hold bufferable writes before their draining to main memory, or L2 cache. They enable multiple writes to the same line to be merged.
- The controller implements selectable cache pre-fetching within 4k boundaries.
- The L2 cache controller forwards exclusive requests from L1 to DDR, OCM, or external memory.

**Note:** The SCU does not maintain coherency between instruction and data L1 caches, so this coherency must be maintained by software.

The L2 cache implements TrustZone security extension to offer enhanced OS security. The non-secure (NS) tag bit is added in tag RAM and is used for lookup in the same way as an address bit. The NS tag bit is also added in all of the buffers. The NS bit in tag RAM is used to determine the security level of evictions to DDR and OCM. The controller restricts non-secure accesses for control, configuration, and maintenance registers to restrict access to secure data.

## Cache Response

This section describes the general behavior of the cache controller depending on the Cortex-A9 transactions. These are the descriptions for the different type of transactions:

<b>Bufferable</b>	The transaction can be delayed by the interconnect or any of its components for an arbitrary number of cycles before reaching its final destination. This is usually only relevant to writes.
<b>Cacheable</b>	The transaction at the final destination does not have to present the characteristics of the original transaction. For writes, this means that several different writes can be merged together. For reads, this means that a location can be pre-fetched or can be fetched just once for multiple read transactions. To determine if a transaction should be cached, this attribute should be used in conjunction with the read allocate and write allocate attributes.
<b>Read Allocate</b>	If the transfer is a read and it misses in the cache, then it should be allocated. This attribute is not valid if the transfer is not cacheable.
<b>Write Allocate</b>	If the transfer is a write and it misses in the cache, then it should be allocated. This attribute is not valid if the transfer is not cacheable.

In the ARM architecture, the inner attributes are used to control the behavior of the L1 caches and write buffers. The outer attributes are exported to the L2 or an external memory system.

In the Cortex-A9 processing system (similar to most modern processors), to improve performance and power, many optimizations are performed at many levels of the system which cannot be completely hidden from the outside world and might cause the violation of the expected sequential execution model. Examples of these optimizations are:

- Multi-issue speculative and out-of-order execution.
- Use of load/store merging to minimize the latency of load/stores.
- In a multicore processor, hardware-based cache coherency management can cause cache lines to migrate transparently between cores causing different cores to see updates to cached memory locations in different orders.
- External system characteristics might create additional challenges when external masters are included in the coherent system through the ACP.

Therefore, it is vital to define certain rules to constrain the order in which the memory accesses of one core relate to the surrounding instructions, or could be observed by other cores within a multicore processor system. Typically the memory can be categorized into normal, strongly ordered, and device regions. For more information, refer to section [3.2.4 Memory Ordering](#).

[Table 3-5](#) shows the general behavior of the L2 cache controller in response to ARMv7 load/store transaction types that are supported by Cortex-A9.

Table 3-5: Cache Controller Behavior for SCU Requests

Transaction Type	ARMv7 Equivalent	L2 Cache Controller Behavior
Non-cacheable and non-bufferable	Strongly ordered	<ul style="list-style-type: none"> <li>• Read: Not cached in L2, results in memory access.</li> <li>• Write: Not buffered, results in memory access.</li> </ul>
Bufferable only	Device	<ul style="list-style-type: none"> <li>• Read: Not cached in L2, results in memory access.</li> <li>• Write: Placed in store buffer, not merged, immediately drained to memory.</li> </ul>
Cacheable but do not allocate	Outer non-cacheable	<ul style="list-style-type: none"> <li>• Read: Not cached in L2, results in memory access.</li> <li>• Write: Placed in store buffer, write to memory when store buffer is drained.</li> </ul>
Cacheable write-through, allocate on read	Outer write-through, no write allocate	<ul style="list-style-type: none"> <li>• Read hit: Read from L2.</li> <li>• Read miss: Line fill to L2.</li> <li>• Write hit: Put in store buffer, write to L2 and memory when store buffer is drained.</li> <li>• Write miss: Put in store buffer, write to memory when store buffer is drained.</li> </ul>
Cacheable write-back, allocate on read	Outer write-back, no write allocate	<ul style="list-style-type: none"> <li>• Read hit: Read from L2.</li> <li>• Read miss: Line fill to L2.</li> <li>• Write hit: Put in store buffer, write to L2 when store buffer is drained and mark line as dirty.</li> <li>• Write miss: Put in store buffer, write to L3 when store buffer is drained.</li> </ul>
Cacheable write-through, allocate on write	-	<ul style="list-style-type: none"> <li>• Read hit: Read from L2.</li> <li>• Read miss: Not cached in L2, causes memory access.</li> <li>• Write hit: Put in store buffer, write to L2 and memory when store buffer is drained.</li> <li>• Write miss: Put in store buffer. When buffer is drained, check if it is full. If not full, request word or line to memory before allocating buffer to L2. Allocation to L2. Write to memory.</li> </ul>
Cacheable write-back, allocate on write	-	<ul style="list-style-type: none"> <li>• Read hit: Read from L2.</li> <li>• Read miss: Not cached in L2, causes memory access.</li> <li>• Write hit: Put in store buffer, write to L2 when store buffer is drained, and mark line as dirty.</li> <li>• Write miss: Put in store buffer. When buffer has to be drained, check if it is full. If it is not full then request word or line to memory before allocating the buffer to L2. Allocation to L2.</li> </ul>

Table 3-5: Cache Controller Behavior for SCU Requests (Cont'd)

Transaction Type	ARMv7 Equivalent	L2 Cache Controller Behavior
Cacheable write-through, allocate on read and write	Outer write-through, allocate on both reads and writes	<ul style="list-style-type: none"> <li>• Read hit: Read from L2.</li> <li>• Read miss: Line fill to L2.</li> <li>• Write hit: Put in store buffer, write to L2 and memory when store buffer is drained.</li> <li>• Write miss: Put in store buffer. When buffer has to be drained, check whether it is full. If it is not full then request word or line to memory before allocating the buffer to the L2. Allocation to L2. Write to memory.</li> </ul>
Cacheable write-back, allocate on read and write	Outer write-back, write allocate	<ul style="list-style-type: none"> <li>• Read hit: Read from L2.</li> <li>• Read miss: Line fill to L2.</li> <li>• Write hit: Put in store buffer, write to L2 when store buffer is drained, and mark line as dirty.</li> <li>• Write miss: Put in store buffer. When buffer has to be drained, check if it is full. If it is not full then request word or line to memory before allocating the buffer to L2. Allocation to L2.</li> </ul>

### 3.4.2 Exclusive L2-L1 Cache Configuration

In the exclusive cache configuration mode, the L1 data cache of the Cortex-A9 processor and the L2 cache are exclusive. At any time, a given address is cached in either L1 data cache or in the L2 cache, but not in both. This has the effect of increasing the usable space and efficiency of the L2 cache. When exclusive cache configuration is selected:

- Data cache line replacement policy is modified so that the victim line in the L1 always gets evicted to the L2, even if it is clean.
- If a line is dirty in the L2 cache, a read request to this address from the processor causes write-back to external memory and a line-fill to the processor.

Both L1 and L2 caches have to be configured for exclusive caching. Setting the exclusive cache configuration bit 12 in the auxiliary control register for L2 and bit 7 of the ACTLR register in Cortex-A9 configure the L2 and L1 caches to operate exclusive to one another.

For reads, the behavior is as follows:

- For a hit, the line is marked as non-valid (the tag RAM valid bit is reset) and the dirty bit is unchanged. If the dirty bit is set, future accesses can still hit in this cache line, but the line is part of the preferred choice for future evictions.
- For a miss, the line is not allocated into the L2 cache.

For writes, the behavior depends on the value of attributes from the SCU to indicate if the write transaction is an eviction from the L1 memory system and whether it is a clean eviction. AWUSERS[8] attribute indicates an eviction and AWUSERS[9] indicates a clean eviction. The behavior is summarized as follows:

- For a hit, the line is marked dirty unless the AWUSERS[9:8] = b11. In this case, the dirty bit is unchanged.

- For a miss, if the cache line is evicted (AWUSERS[8] is 1), the cache line is allocated and its dirty status depends on if it is evicted dirty or not. If the cache line is evicted dirty (AWUSERS[8] is 0), the cache line is allocated only if it is write allocate.

### 3.4.3 Cache Replacement Strategy

Bit [25] of the Auxiliary Control register configures the replacement strategy. It can be either round-robin or pseudo-random. The round-robin replacement strategy fills invalid and unlocked ways first; for each line, when ways are all valid or locked, the victim is chosen as the next unlocked way. The pseudo-random replacement strategy fills invalid and unlocked ways first; for each line, when ways are all valid or locked, the victim is chosen randomly between unlocked ways.

When a deterministic replacement strategy is required, the lockdown registers are used to prevent ways from being allocated. For example, since L2 cache is 512 KB and is 8-way set-associative, each way is 64 KB. If a piece of code is required to reside in two ways (128 KB), with a deterministic replacement strategy, ways 1-7 must be locked before the code is filled into the L2 cache. If the first 64 KB of code is allocated into way 0 only, then way 0 must be locked and way 1 unlocked so that the second half of the code can be allocated in way 1.

There are two lockdown registers, one for data and one for instructions. If required, one can separate data and instructions into separate ways of the L2 cache.

### 3.4.4 Cache Lockdown

The L2 cache controller allows locking down entries by line, by way, or by master (includes both CPU and ACP masters.) Lockdown by line and lockdown by way can be used at the same time; lockdown by line and lockdown by master can also be used at the same time. However, lockdown by master and lockdown by way are exclusive, because lockdown by way is a subset of lockdown by master.

#### Lockdown by Line

When enabled, all newly allocated cache lines get marked as locked. The controller then considers them as locked and does not naturally evict them. It is enabled by setting bit [0] of the lockdown by the line enable register. Bit [21] of the tag RAM shows the locked status of each cache line.



---

**TIP:** An example of when the lockdown by line feature might be enabled is during the time when a critical piece of software code is loaded into the L2 cache.

---

The unlock all lines background operation enables the unlocking of all lines marked as locked by the lockdown by line mechanism. The status of this operation can be checked by reading the unlock all lines register. While an unlock all lines operation is in progress, you cannot launch a background cache maintenance operation. If attempted, a SLVERR error is returned.

#### Lockdown by Way

The L2 cache is 8-way set-associative and allows users to lock the replacement algorithm on a way basis, enabling the set count to be reduced from 8-way all the way down to direct mapped. The



32-bit cache address consists of the following fields: [Tag Field], [Index Field], [Word Field], [Byte Field].

When a cache lookup occurs, the index defines where to look in the cache ways. The number of ways defines the number of locations with the same index referred to as a set. Therefore, an 8-way set associative cache has eight locations where an address with index A can exist. There are  $2^{11}$  or 2,048 indices in the 512K L2 cache.

Lockdown format C, as the *ARM Architecture Reference Manual* describes, provides a method to restrict the replacement algorithm used for allocations of cache lines within a set. This method enables:

- Fetch of code or load data into the L2 cache
- Protection from being evicted because of other accesses
- This method can also be used to reduce cache pollution.

The lockdown register in the L2 cache controller is used to lock any of the eight ways in the L2 cache. To apply lockdown, you set each bit to 1 to lock each respective way. For example, set bit [0] for Way 0, bit [1] for Way 1.

### Lockdown by Master

The lockdown by master feature is a superset of the lockdown by way feature. It enables multiple masters to share the L2 cache and makes the L2 cache behave as though these masters have dedicated smaller L2 caches. This feature enables you to reserve ways of the L2 cache to specific master IDs.

The L2 cache controller lockdown by master is only able to distinguish up to eight different masters. However, there are up to 64 AXI master IDs from the Cortex-A9 MP core. Table 3-6 shows how the 64 master ID values are grouped into eight lockable groups.

Table 3-6: Lockdown by Master ID Group

ID Group	Transaction Sources	L2 DATA/INSTRLOCKxxx
A9 Core 0	All read/write and instruction fetch requests from Core 0	000
A9 Core 1	All read/write and instruction fetch requests from Core 1	001
A9 Core 2	Reserved for future	010
A9 Core 3	Reserved for future	011
ACP Group0	ACP requests with ID = {000, 001}	100
ACP Group1	ACP requests with ID = {010, 011}	101
ACP Group2	ACP requests with ID = {100, 101}	110
ACP Group3	ACP requests with ID = {110, 111}	111

### 3.4.5 Enabling and Disabling the L2 Cache Controller

The L2 cache is disabled by default and can be enabled by setting bit 0 of the L2 cache control register independently of the L1 caches. When the cache controller block is not enabled, depending

on their addresses, transactions pass through to the DDR memory or the main interconnect on the cache controller master ports. The address latency introduced by the disabled cache controller is one cycle in the slave port from the SCU plus one cycle in the master ports.

### 3.4.6 RAM Access Latency Control

The L2 cache data and tag RAMs use the same clock as the Cortex-A9 processors; however, it is not feasible to access these RAMs in a single cycle when the clock runs at its maximum speed. To address this issue, the L2-cache controller provides a mechanism to adjust the latencies for the write access, read access, and setup of both RAM arrays by respectively setting bits [10:8], [6:4], and [2:0] of its tag RAM and data RAM latency control registers. The default value for these fields is  $3'b111$  for both registers, which corresponds to the maximum latency of eight CPU\_6x4x cycles for the three attributes of each RAM array. Because these large latencies result in very poor cache performance, the software should reset the attributes as follows:

- Set the latencies for the three tag RAM attributes to 2 by writing  $3'b001$  to bits [10:8], [6:4], and [2:0] of the tag RAM latency control register.
- Set the latencies for the write access and setup of the data RAM to 2 by writing  $3'b001$  to bits [10:8] and [2:0] of the data RAM latency control register.
- Set the read access latency of the data RAM to 3 by writing  $3'b010$  to bits [6:4] of the data RAM latency control register.

### 3.4.7 Store Buffer Operation

Two buffered write accesses to the same address and the same security bit cause the first write access to be overridden if the controller does not drain the store buffer after the first access. The store buffer has merging capabilities, so it merges successive writes to the same line address into the same buffer slot. This means that the controller does not drain the slots as soon as they contain data, but rather waits for other potential accesses that target the same cache line. The store buffer draining policy is as follows. Slave port refers to the port from the SCU to the L2 cache controller:

- The store buffer slot is immediately drained if targeting device memory area.
- The store buffer slots are drained as soon as they are full.
- The store buffer is drained at each strongly-ordered read occurrence in the slave port.
- The store buffer is drained at each strongly ordered write occurrence in the slave port.
- If the three slots of the store buffer contain data, the least recently accessed slot is drained.
- If a hazard is detected with one store buffer slot, it is drained to resolve the hazard. Hazards can occur when data is present in the cache buffers, but not yet present in the cache RAM or external memory.
- The store buffer slots are drained when a locked transaction is received by the slave port.
- The store buffer slots are drained when a transaction targeting the configuration registers is received by the slave port.

Merging condition is based on address and security attribute. Merging takes place only when data is in the store buffer and it is not draining.

When a write-allocate cacheable slot is drained, misses in the cache, and is not full, the store buffer sends a request through the master ports to the main interconnects or DDR to complete the cache line. The corresponding master port sends a read request through the interconnects and provides data to the store buffer in return. When the slot is full, it can be allocated into the cache.

### 3.4.8 Optimizations Between Cortex-A9 and L2 Controller

To improve performance, the SCU interface to the L2 controller, and partially the interface to the on-chip memory controller (OCM), implement several optimizations:

- Early write response
- Pre-fetch hints
- Full line of zero write
- Speculative reads of the Cortex-A9 MPCore processor

These optimizations apply to the transfers from the processor and do not include the ACP.

#### Early Write Response

During the write transaction from the Cortex-A9 to the L2 cache controller, the write response from the L2 controller is normally returned to the SCU only when the last data beat has arrived at the L2 controller. This optimization enables the L2 controller to send the write response of certain write transactions as soon as the store buffer accepts the write address and allows the Cortex-A9 processor to provide a higher bandwidth for writes. This feature is disabled by default and you can enable it by setting the Early BRESP enable bit in the auxiliary control register for the L2 controller. The Cortex-A9 does not require any programming to enable this feature. OCM does not support this feature and its write responses are generated normally.

#### Pre-fetch Hints

When the Cortex-A9 processor is configured to run in SMP mode, the automatic data pre-fetchers implemented in the CPUs issue special read accesses to the L2 cache controller. These special reads are called pre-fetch hints. When the L2 controller receives such pre-fetch hints, it allocates the targeted cache line into the L2 cache for a miss without returning any data back to the Cortex-A9 processor. You can enable the pre-fetch hint generation by the Cortex-A9 processors through one of the two following methods:

1. Enabling the L2 pre-fetch hint feature by setting bit [1] of the ACTLR register. When enabled, this feature sets the Cortex-A9 processor to automatically issue L2 pre-fetch hint requests when it detects regular fetch patterns on a coherent memory.
2. Use of PLE (pre-load engine) operations. When this feature is used in the Cortex-A9 processor, the PLE issues a series of L2 pre-fetch hint requests at the programmed addresses.

No additional programming of the L2 Controller is required. Application of the pre-fetch hints to the OCM memory space does not cause any action because, unlike caches, transfer of data into OCM RAM requires explicit operations by software.

## Full Line of Zero Write

When this feature is enabled, the Cortex-A9 processor can write entire non-coherent cache lines of zeroes to the L2 cache, using a single write command cycle. This provides a performance improvement as well as some power savings. The Cortex-A9 processor is likely to use this feature when a CPU is executing a memset routine to initialize a particular memory area.

This feature is disabled by default and can be enabled by setting the “Full Line of Zero” enable bit of the auxiliary control register for the L2 controller and the enable bit in the Cortex-A9 ACTLR register. Care must be taken if this feature is enabled because correct behavior relies on consistent enabling in both the Cortex-A9 processor and the controller.

To enable this feature, the following steps must be performed:

1. Enable the full line of zero feature in the L2 controller.
2. Enable the L2 cache controller.
3. Enable the full line of zero feature in the Cortex-A9.

The cache controller does not support strongly ordered write accesses with this feature. The feature is also supported by the OCM if it is enabled in the Cortex-A9

## Speculative Reads of the Cortex-A9

This is a feature unique to the Cortex-A9 MP configuration and can be enabled using a dedicated software control bit in the SCU Control register. For this feature, the Cortex-A9 has to be in the SMP mode through the use of the SMP bit in the ACTLR register; however, the L2 controller does not require any specific settings. When the speculative read feature is enabled, on coherent line fills, the SCU speculatively issues read transactions to the controller in parallel with its tag lookup. The controller does not return data on these speculative reads and only prepares data in its line read buffers.

If the SCU misses, it issues a confirmation line fill to the controller. The confirmation is merged with the previous speculative read in the controller and enables the controller to return data to the L1 cache sooner than a L2 cache hit. If the SCU hits, the speculative read is naturally terminated in the L2 controller, either after a certain number of cycles, or when a resource conflict exists. The L2 controller informs the SCU when a speculative read ends, either by confirmation or termination.

### 3.4.9 Pre-fetching Operation

The pre-fetch operation is the capability of attempting to fetch cache lines from memory in advance, to improve system performance. To enable the pre-fetch feature, you set bit 29 or 28 of the auxiliary or pre-fetch control register. When enabled, if the slave port from the SCU receives a cacheable read transaction, a cache lookup is performed on the subsequent cache line. Bits [4:0] of the pre-fetch control register provide the address of the subsequent cache line. If a miss occurs, the cache line is fetched from external memory, and allocated to the L2 cache.

By default, the pre-fetch offset is 5'b00000. For example, if S0 receives a cacheable read at address 0x100, the cache line at address 0x120 is pre-fetched. Pre-fetching the next cache line might not necessarily result in optimal performance. In some systems, it might be better to pre-fetch more in

advance to achieve better performance. The pre-fetch offset enables this by setting the address of the pre-fetched cache line to Cache Line + 1 + Offset. The optimal value of the pre-fetch offset depends on the external memory read latency and on the L1 read issuing capability. The pre-fetch mechanism is not launched for a 4 KB boundary crossing.

Pre-fetch accesses can use a large number of the address slots in the controller master ports. This prevents non-prefetch accesses being serviced and affects performance. To counter this effect, the controller can drop pre-fetch accesses. This can be controlled using bit 24 of the Pre-fetch Control register. When enabled, if a resource conflict exists between pre-fetch and non-pre-fetch accesses in the controller master ports, pre-fetch accesses are dropped. When data corresponding to these dropped pre-fetch accesses returns from the external memory, it is discarded and is not allocated into the L2 cache.

### 3.4.10 Programming Model

The following applies to the registers used in the L2 cache controller:

- The cache controller is controlled through a set of memory-mapped registers. The memory region for these registers must be defined with strongly ordered or device memory attributes in the L1 page tables.
- The reserved bits in all registers must be preserved; otherwise, unpredictable behavior of the device might occur.
- All registers support read and write accesses unless otherwise stated in the relevant text. A write updates the contents of a register and a read returns the contents of the register.
- All writes to registers automatically perform an initial cache sync operation before proceeding.

#### Initialization Sequence

As an example, a typical cache controller start-up programming sequence consists of the following register operations:

- Write 0x020202 to the register at 0xF800A1C. This is a mandatory step.
- Write to the auxiliary, tag RAM latency, data RAM latency, pre-fetch, and Power Control registers using a read-modify-write to set up global configurations:
  - Associativity and way size
  - Latencies for RAM accesses
  - Allocation policy
  - Pre-fetch and power capabilities
- Secure write to invalidate by way, offset 0x77C, to invalidate all entries in cache:
  - Write 0xFFFF to 0x77C
  - Poll the cache maintenance register until invalidate operation is complete.
- If required, write to register 9 to lock down D and lock down I.
- Write to the interrupt clear register to clear any residual raw interrupts set.
- Write to the interrupt mask register if it is desired to enable interrupts.

- Write to control register 1 with the LSB set to 1 to enable the cache.

If a write is performed to the auxiliary, tag RAM latency, or data RAM latency control register with the L2 cache enabled, a SLVERR (error) results. The L2 cache must be disabled by writing to the control register before writing to these registers.

## Cache Lockdown by Way Sequence

These are the steps to be followed for locking code by way:

1. Ensure the code to be locked is in a cacheable memory region. This can be done by programming page table entry for the region with appropriate memory attributes. Refer to [Memory Attributes](#).
2. Ensure the code to lockdown is in a non-cacheable memory region. For example, the region can be marked as a strongly ordered region.

The following is the sequence that needs to be implemented in lockdown routine:

3. Disable the interrupts.
4. Clean and invalidate the entire L2 cache. This step is for ensuring that the code to be locked is not loaded into L2 cache.
5. Find the number of ways required for loading code based on the code size.
6. Unlock the calculated ways and lock all the ways remaining. This is done by writing into data lockdown registers. Refer to the *PL310 L2 Cache Controller Document* for information on these registers.
7. Load the code into the L2 cache using PLD instruction. The PLD instruction always generates data references; this is the reason for using data lockdown registers. For more information on PLD instruction, refer to the ARMv7 TRM. This step loads the code into unlocked ways.
8. Lock the loaded ways and unlock the remaining ways by writing into data lockdown registers.
9. Enable Interrupts.

---

**TIP:** To check for whether the code is really locked into L2 cache, generate more references to the code that has been locked. These references can be monitored by the L2 cache instruction hit event. For more information on the available events of L2 cache and their initialization, refer to the *PL310 L2 Cache Controller document*. This event initialization should be done prior to code locking. So more the references to code, more the instruction hits. For example, the code that is locked can be called from a timer interrupt handler which generates references as per the number of interrupts programmed.

---

## 3.5 APU Interfaces

### 3.5.1 PL Co-processing Interfaces

#### ACP Interface

The accelerator coherency port (ACP) is a 64-bit AXI slave interface on the SCU that provides an asynchronous cache-coherent access point directly from the PL to the Cortex-A9 MP-Core processor subsystem. A range of system PL masters can use this interface to access the caches and the memory subsystem exactly the way the APU processors do to simplify software, increase overall system performance, or improve power consumption. This interface acts as a standard AXI slave and supports all standard read and write transactions without any additional coherency requirements placed on the PL components. Therefore, the ACP provides cache-coherent access from the PL to ARM caches while any memory local to the PL are non-coherent with the ARM.

Any read transactions through the ACP to a coherent region of memory interact with the SCU to check whether the required information is stored within the processor L1 caches. If it is, the data is returned directly to the requesting component. If it misses in the L1 cache, then there is also the opportunity to hit in L2 cache before finally being forwarded to the main memory. For write transactions to any coherent memory region, the SCU enforces coherence before the write is forwarded to the memory system. The transaction can also optionally allocate into the L2 cache, removing the power and performance impact of writing through to the off-chip memory.

#### ACP Requests

The read and write requests performed on the ACP behave differently depending on whether the request is coherent or not. This behavior is as follows:

**ACP coherent read requests:** An ACP read request is coherent when  $ARUSER[0] = 1$  and  $ARCACHE[1] = 1$  alongside  $ARVALID$ . In this case, the SCU enforces coherency. When the data is present in one of the Cortex-A9 processors, the data is read directly from the relevant processor and returned to the ACP port. When the data is not present in any of the Cortex-A9 processors, the read request is issued on one of the SCU AXI master ports, along with all its AXI parameters, with the exception of the locked attribute.

**ACP non-coherent read requests:** An ACP read request is non-coherent when  $ARUSER[0] = 0$  or  $ARCACHE[1] = 0$  alongside  $ARVALID$ . In this case, the SCU does not enforce coherency, and the read request is directly forwarded to one of the available SCU AXI master ports to the L2 cache controller or OCM.

**ACP coherent write requests:** An ACP write request is coherent when  $AWUSER[0] = 1$  and  $AWCACHE[1] = 1$  alongside  $AWVALID$ . In this case, the SCU enforces coherency. When the data is present in one of the Cortex-A9 processors, the data is first cleaned and invalidated from the relevant CPU. When the data is not present in any of the Cortex-A9 processors, or when it has been cleaned and invalidated, the write request is issued on one of the SCU AXI master ports, along with all corresponding AXI parameters with the exception of the locked attribute.

**Note:** The transaction can optionally allocate into the L2 cache if the write parameters are set accordingly.

**ACP non-coherent write requests:** An ACP write request is non-coherent when AWUSER[0] = 0 or AWCACHE[1] = 0 alongside AWVALID. In this case, the SCU does not enforce coherency and the write request is forwarded directly to one of the available SCU AXI master ports.

### ACP Usage

The ACP provides a low latency path between the PS and the accelerators implemented in the PL when compared with a legacy cache flushing and loading scheme. Steps that must take place in an example of a PL-based accelerator are as follows:

1. The CPU prepares input data for the accelerator within its local cache space.
2. The CPU sends a message to the accelerator using one of the general purpose AXI master interfaces to the PL.
3. The accelerator fetches the data through the ACP, processes the data, and returns the result through the ACP.
4. The accelerator sets a flag by writing to a known location to indicate that the data processing is complete. Status of this flag can be polled by the processor or could generate an interrupt.

Table 3-7 shows ACP read and write behavior based on current cache status. Clearly, access latency is small when cache hits occur.

When compared to a tightly-coupled coprocessor, ACP access latencies are relatively long. Therefore, ACP is not recommended for fine-grained instruction level acceleration. On the other hand, for coarse-grain acceleration such as video frame-level processing, ACP does not have a clear advantage over traditional memory-mapped PL acceleration because the transaction overhead is small relative to the transaction time, and might potentially cause undesirable cache thrashing. ACP is therefore optimal for medium-grain acceleration, such as block-level crypto accelerator and video macro-block level processing.

Table 3-7: ACP Read and Write Behavior

Action	Description
ACP read – I (invalid)	SCU fetches data from external memory through one of two AXI master interfaces. Data is forwarded to the ACP directly. It does not affect the CPU L1 cache state.
ACP read – M (modified)	SCU fetches data from L1 cache with M status. It does not affect the L1 cache state.
ACP read – S (shared)	SCU fetches data from any L1 cache with S status. It does not affect the L1 cache state.
ACP read – E (exclusive)	SCU fetches data from the L1 cache with E status. It does not affect the L1 cache state.
ACP write – I (invalid)	Data is written to external memory through one of two AXI master interfaces. It does not affect the CPU L1 cache state.
ACP write – M (modified)	Data in L1 cache with M status is flushed out to external memory first. After that, ACP data is written into external memory interface. L1 cache previously with M status is changed to I status. If the SCU overwrites the entire cache line, L1 cache flush is skipped.



Table 3-7: ACP Read and Write Behavior (Cont'd)

Action	Description
ACP write – S (shared)	Data is written to external memory through one of two AXI master interfaces. L1 cache previously with S status is changed to I state
ACP write – E (exclusive)	Data is written to external memory through one of two AXI master interfaces. Any L1 cache previously with S status is changed to I status.

## ACP Limitations

The accelerator coherency port (ACP) has these limitations:

- Exclusive accesses are not allowed for coherent memory.
- Locked accesses are not allowed for coherent memory.
- Optimized coherent read and write transfers when byte strobes are not all set. More specifically, write transactions with AWLEN = 3, AWSIZE = 3, andWSTRB not equal to 11111111 are not supported and can cause the L1 cache line in the CPUs to be corrupted. Potential user workarounds include:
  - Perform smaller, non-optimized, and coherent accesses.
  - Perform a read/modify/write sequence where the write has all byte strobes set.
  - Align user software data structures to avoid needing to deassert any write strobes, overwriting the bytes instead.
- Continuous access to the OCM over the ACP can starve accesses from other AXI masters. To allow access from other masters, the ACP bandwidth to OCM should be moderated to less than the peak OCM bandwidth. This can be accomplished by regulating burst sizes to less than eight 64-bit words.
- Blocks, such as PCIe, which prioritize write requests over read requests should not be connected to the ACP port, as they might create deadlock. Connecting these devices to the other the GP and HP AXI ports does not manifest the mentioned deadlock issue.

**Note:** The Xilinx HDL wrapper around the PS7 primitive provides a function to flag the third limitation (cache lines being corrupted). If enabled, the Xilinx ACP adapter watches for transactions that could potentially corrupt the cache and generate an error response to the master that is requesting the write request. The write transaction is allowed to proceed to the ACP interface, so the possibility of cache corruption is *NOT* eliminated. The master is notified of the possible issue to take the appropriate action. The ACP adapter can also generate an interrupt signal to the CPUs, which can be used by the software to detect such a situation.

## Event Interface

The event bus provides a low-latency and direct mechanism to transfer status and implement a wake mechanism between the APU and the PL. The event input and output signals on this interface use toggle signaling in which an event is communicated by toggling the signal to the opposite logic level on both edges. The event bus includes these signals:

<b>EVENTEVENTO</b>	A toggle output signal indicating that either CPU is executing the SEV instruction.
<b>EVENTEVENTI</b>	A toggle input signal that wakes up either one or both CPUs if they are in a standby state initiated by the WFE instruction.
<b>EVENTSTANDBYWFE[1:0]</b>	Two-level output signals indicating the state of the two CPUs. A bit is asserted if the corresponding CPU is in standby state following the execution of the WFE (wait for event) instruction.
<b>EVENTSTANDBYWFI[1:0]</b>	Two-level output signals indicating the state of the two CPUs. A bit is asserted if the corresponding CPU is in standby state following the execution of the WFI (wait for interrupt) instruction.

The event bus can be used to implement PL-based accelerators. The event output can be used to trigger an ACP accelerator to read from a predefined address. Further on in the process, the event input can be used to communicate that the data has been written back over the ACP and is ready to be consumed by a CPU. A detailed description of this example follows:

1. CPU0 generates the data that is required by the accelerator in the L1/L2 cache. This data can contain both commands and information to be processed.
2. CPU0 issues an SEV (send event) instruction, causing EVENTEVENTO to toggle to the PL. The signal is connected to an accelerator IP implemented in the PL.
3. CPU0 next issues a WFE (wait For event) instruction, placing the CPU in a lower-power standby state. This is reflected in the EVENTSTANDBYWFE[0] status output to the PL.
4. The accelerator notices the toggled EVENTEVENTO signal and realizes that CPU0 is waiting. The accelerator fetches data from a prearranged address and data format through the ACP interface and begins processing.
5. After writing the result data back through the ACP, the accelerator asserts the EVENTEVENTI input to indicate that processing is complete and wakes up CPU0.
6. CPU0 wakes from its standby state, which is reflected in the EVENTSTANDBYWFE[0] output, and CPU0 continues execution using the processed data.

### 3.5.2 Interrupt Interface

The PS general interrupt controller (GIC) supports 64 interrupt input lines that are driven from other blocks within the PS or the PL. Six of the 64 interrupt inputs are driven from within the APU. These include the L1 parity fail, L2 interrupt (all reasons), and PMU (performance monitor unit) interrupt. The interrupt output of the GIC drives either the IRQ or FIQ inputs of each of the Cortex-A9 processors. The selection as to which processor is interrupted is accomplished through an SCU register within the APU. [Table 3-8](#) defines the interrupts specific to the APU.

Table 3-8: APU Interrupts

Interrupt	Description
32	Any of the L1 instruction cache, L1 data cache, TLB, GHB, and BTAC parity errors from CPU 0
33	Any of the L1 instruction cache, L1 data cache, TLB, GHB, and BTAC parity errors from CPU 1
34	Any errors, including parity errors, from the L2 controller
92	Any of the parity errors from SCU generate a third interrupt

Table 3-8: APU Interrupts

Interrupt	Description
37	Performance monitor unit (PMU) of CPU0
38	Performance monitor unit (PMU) of CPU1

## 3.6 Support for TrustZone

TrustZone is hardware that is built into all Zynq-7000 AP SoC devices. For more information, see *Programming ARM TrustZone Architecture on the Xilinx Zynq-7000 All Programmable SoC* (UG1019).

## 3.7 Application Processing Unit (APU) Reset

### 3.7.1 Reset Functionality

The APU supports several reset modes that enable you to reset different parts of the block independently. Applicable resets and their functions are as follows:

The APU supports different reset modes that enable the user to reset different parts of the block independently. Applicable resets and their functions are as follows:

<b>Power-on Reset</b>	The power-on reset or cold reset is applied when the power is first applied to the system or through the PS_POR_B device pin. In this reset mode, both CPUs, the NEON coprocessors, and the debug logic is reset.
<b>System Reset</b>	A system reset initializes the Cortex-A9 processor and the NEON coprocessors, apart from the debug logic. Break points and watch points are retained during this reset. This reset is applied through the PS_SRST_B device pin.
<b>Software Reset</b>	A software or warm reset initializes the Cortex-A9 processor and the NEON coprocessors, apart from the debug logic. Break points and watch points are retained during this reset. Processor reset is typically used for resetting a system that has been operating for some time. This reset is applied through the A9_CPU_RST_CTRL.A9_RSTx register.
<b>System Debug Reset</b>	This reset is similar to the software reset; however, it is triggered through the JTAG interface.
<b>Debug Reset</b>	This reset initializes the debug logic in a Cortex-A9 processor, including break point and watch point values. It is triggered through the JTAG interface.

**Note:** The APU in Zynq-7000 AP SoC devices does not support an independent reset for the NEON coprocessors.

**Note:** Unlike the POR or system resets, when the user applies a software reset to a single processor, the user must stop the associated clock, de-assert the reset, and then restart the clock. During a system or POR reset, hardware automatically takes care of this. Therefore, a CPU cannot run the code that applies the software reset to itself. This reset needs to be applied by the other CPU or through JTAG or PL. Assuming the user wants to reset CPU0, the user must to set the following fields in the slcr.A9\_CPU\_RST\_CTRL (address 0x000244) register in the order listed:

1. A9\_RST0 = 1 to assert reset to CPU0
2. A9\_CLKSTOP0 = 1 to stop clock to CPU0
3. A9\_RST0 = 0 to release reset to CPU0
4. A9\_CLKSTOP0 = 0 to restart clock to CPU0

### 3.7.2 APU State After Reset

Table 3-9 summarizes the state of the APU after the reset. For a CPU, including its L1 caches and MMU, this reset is a CPU reset that can be triggered through all resets. The reset to the SCU and the L2 cache can occur as a result of a system software reset, external system reset, debug system reset, and watchdog timer resets.

Table 3-9: APU State after Reset

Function	State after Reset
CPU1	Kept in a WFE state while executing code located at address 0xFFFFFE00 to 0xFFFFFFFF0
L1 Caches Validation	Disabled Unknown (requires invalidation prior to usage)
MMUs	Disabled
SCU	Disabled
Address Filtering	Upper and lower 1M addresses within the 4G address space are mapped to OCM and the rest of the addresses are routed to the L2
L2 Cache L2 wait states Validation	Disabled Tag RAM and Data RAM wait states are both 7-7-7 for setup latency, write access latency, and read access latency Unknown (requires invalidation prior to usage)

## 3.8 Power Considerations

### 3.8.1 Introduction

The APU incorporates many features to improve its dynamic power efficiency:

- Either of the CPUs can be put in the standby mode and started up when a event or interrupt is detected.
- The L2 cache can be put in the standby mode when the CPUs are in that mode.

- Clock gating is extensively used in all the sub-blocks within the module. Dynamic clock gating in the Cortex-A9 can be enabled in the CP15 power control register. If enabled, the clocks to the CPU internal blocks are dynamically disabled in idle periods. The gated blocks include the integer core, the system control block, and the data engine.
- Accurate branch and return prediction reduces the number of incorrect instruction fetch and decode operations.
- Physically addressed caches reduce the number of cache flushes and refills, saving energy in the system.
- The CPUs implement micro TLBs for local address translation which reduces the power consumed in translation and protection look-ups.
- The tag RAMs and data RAMs are accessed sequentially to eliminate accesses to the unwanted data RAMs, and thus minimize unnecessary power consumption.
- To reduce power consumption in the L1 caches, the number of full cache reads is reduced by taking advantage of the sequential nature of memory accesses. If a cache read is sequential to the previous cache read, and the address is within the same cache line, only the data RAM set that was previously read is accessed.
- If an instruction loop fits in four BTAC entries, then instruction cache accesses are turned off to lower power consumption.
- The clock to the NEON engine is dynamically controlled by the CPU and the engine gets clocked only when a NEON instruction is issued.

**Note:** Power to the APU or any of its sub-blocks cannot be turned off while the PS is powered on.

## 3.8.2 Standby Mode

In the standby mode of operation, the device is still powered-up, but most of its clocks are gated off. This means that the processor is in a static state and the only power drawn is due to leakage currents and the clocking of the small amount of logic which looks out for the wake-up condition.

This mode is entered using either the WFI (wait for interrupt) or WFE (wait for event) instructions. It is recommended that a DSB memory barrier be used before WFI or WFE, to ensure that pending memory transactions complete.

The processor stops execution until a wake-up event is detected. The wake-up condition is dependent on the entry instruction. For WFI, an interrupt or external debug request wakes the processor. For WFE, several specified events exist, including another processor in an MP system executing the SEV instruction. A request from the SCU can also wake up the clock for a cache coherency operation in an MP system. This means that the cache of a processor which is in standby state continues to be coherent with caches of other processors. A processor reset always forces the processor to exit from the standby condition.

The standby mode in the SCU is enabled by setting the corresponding bit in the `mpcore.SCU_CONTROL_REGISTER`. When this feature is enabled, the SCU stops its internal clocks when the following conditions are met:

- CPUs are in WFI mode
- No pending requests on the ACP
- No remaining activity in the SCU

The SCU resumes normal operation when a CPU leaves WFI mode or a request on the ACP occurs.

The standby mode of the L2 cache controller can be enabled by setting bit 0 of the L2 controller power control register (l2cpl310.reg15\_power\_ctrl). This mode is used in conjunction with the wait state (WFI/WFE) of the processor that drives the controller. Before entering the wait state, the Cortex-A9 processor must set its status field in the CPU power status register of the SCU to signal its entering standby mode. The Cortex-A9 processor then executes a WFI or WFE entry instruction. The SCU CPU power status register bits can also be read by a Cortex-A9 processor exiting low-power mode to determine its state before executing its reset setup.

If the MP system is in the standby mode, the SCU signals to the L2 cache controller to gate its clock and the controller honors that when the L2 becomes idle. Any transaction from the SCU to the L2 restarts the clock and triggers a response with 2-3 clock cycles of delay.

### 3.8.3 Dynamic Clock Gating in the L2 Controller

Bit 1 of the L2 Controller Power Control register enables the dynamic clock gating feature within the controller. If this feature is enabled, the cache controller stops its clock when it is idle for 32 clock cycles. The controller stops the clock until there is a transaction on its slave interface from the SCU. If this interface detects a transaction, it restarts its clock and accepts the new transaction with two to three cycles of delay.

---

## 3.9 CPU Initialization Sequence

Typically, these are the following steps to initialize CPU:

1. Set the vector base address register.
2. Invalidate L1 caches, TLB, branch predictor array (refer to [Initialization of L1 Caches](#)).
3. Invalidate L2 cache.
4. Prepare page tables and load into physical memory. (For more information on page tables, refer to [Translation Table Base Register 0 and 1](#).)
5. Setup the stack.
6. Load the page table base address into the translation table base register (refer to [Translation Table Base Register 0 and 1](#)).
7. Set the MMU enable bit of the system control register.
8. Initialize and enable L2 cache (refer to [L2-Cache](#), section [3.4.10 Programming Model](#)).
9. Enable L1 caches by writing to the system control register.
10. Jump to entry of application.

## 3.10 Implementation-Defined Configurations

The Zynq-7000 AP SoC APU has implemented some configurations which determine the reset values of some CP15 register fields. Table 3-10 shows these configuration signals and the reset values of the corresponding register fields.

Table 3-10: Implementation Configuration Signals and Register Fields

Configuration Signal	Register Fields	Bits	Reset Value
MAXCLKLATENCY	c15.Power control register	[10:8]	b111
CFGEND	c1.SCTLR.EE	[25]	b0
CFGNMFI	c1.SCTLR.NMFI	[27]	b1
TEINIT	c1.SCTLR.TE	[30]	b0
VINITHI	c1.SCTLR.V	[13]	b0
CLUSTERID	c0.MPIDR.ClustreID	[11:8]	b0000
(none)	c0.REVIDR	[31:0]	0x0
(none)	c0.AIDR (Auxiliary ID register)	[31:0]	0x0

# System Addresses

## 4.1 Address Map

The comprehensive system level address map is shown in [Table 4-1](#). The shaded entries indicate that the address range is reserved and should not be accessed. [Table 4-2](#) identifies reserved address ranges.

Table 4-1: System-Level Address Map

Address Range	CPUs and ACP	AXI_HP	Other Bus Masters <sup>(1)</sup>	Notes
0000_0000 to 0003_FFFF <sup>(2)</sup>	OCM	OCM	OCM	Address not filtered by SCU and OCM is mapped low
	DDR	OCM	OCM	Address filtered by SCU and OCM is mapped low
	DDR			Address filtered by SCU and OCM is not mapped low
				Address not filtered by SCU and OCM is not mapped low
0004_0000 to 0007_FFFF	DDR			Address filtered by SCU
				Address not filtered by SCU
0008_0000 to 000F_FFFF	DDR	DDR	DDR	Address filtered by SCU
		DDR	DDR	Address not filtered by SCU <sup>(3)</sup>
0010_0000 to 3FFF_FFFF	DDR	DDR	DDR	Accessible to all interconnect masters
4000_0000 to 7FFF_FFFF	PL		PL	General Purpose Port #0 to the PL, M_AXI_GP0
8000_0000 to BFFF_FFFF	PL		PL	General Purpose Port #1 to the PL, M_AXI_GP1
E000_0000 to E02F_FFFF	IOP		IOP	I/O Peripheral registers, see <a href="#">Table 4-6</a>
E100_0000 to E5FF_FFFF	SMC		SMC	SMC Memories, see <a href="#">Table 4-5</a>
F800_0000 to F800_0BFF	SLCR		SLCR	SLCR registers, see <a href="#">Table 4-3</a>
F800_1000 to F880_FFFF	PS		PS	PS System registers, see <a href="#">Table 4-7</a>
F890_0000 to F8F0_2FFF	CPU			CPU Private registers, see <a href="#">Table 4-4</a>
FC00_0000 to FDFE_FFFF <sup>(4)</sup>	Quad-SPI		Quad-SPI	Quad-SPI linear address for linear mode
FFFC_0000 to FFFF_FFFF <sup>(2)</sup>	OCM	OCM	OCM	OCM is mapped high
				OCM is not mapped high



**Notes:**

1. The other bus masters include the S\_AXI\_GP interfaces, Device configuration interface (DevC), DAP controller, DMA controller and the various controllers with local DMA units (Ethernet, USB and SDIO).
2. The OCM is divided into four 64 KB sections. Each section is mapped independently to either the low or high addresses ranges, but not both at the same time. In addition, the SCU can filter addresses destined for the OCM low address range to the DDR DRAM controller instead. A detailed discussion of the OCM is explained in [Chapter 29, On-Chip Memory \(OCM\)](#).
3. For each 64 KB section mapped to the high OCM address range via slcr.OCM\_CFG[RAM\_HI] which is not also part of the SCU address filtering range will be aliased for CPU and ACP masters at a range of (0x000C\_0000 to 0x000F\_FFFF). See [Chapter 29, On-Chip Memory \(OCM\)](#) for more information.
4. When a single device is used, it must be connected to QSPI 0. In this case, the address map starts at FC00\_0000 and goes to a maximum of FCFE\_FFFF (16 MBs). When two devices are used, both devices must be the same capacity. The address map for two devices depends on the size of the devices and their connection configuration. For the shared 4-bit stacked I/O bus, the QSPI 0 device starts at FC00\_0000 and goes to a maximum of FCFE\_FFFF (16 MBs). The QSPI 1 device starts at FD00\_0000 and goes to a maximum of FDFE\_FFFF (another 16 MBs). If the first device is less than 16 MBs in size, then there will be a memory space hole between the two devices. For the 8-bit dual parallel mode (8-bit bus), the memory map is continuous from FC00\_0000 to a maximum of FDFE\_FFFF (32 MBs).

Table 4-2: System-Level Address Map (Reserved Addresses)

Address Range	CPUs and ACP	AXI_HP	Other Bus Masters <sup>(1)</sup>	Notes
C000_0000 to DFFF_FFFF				Reserved
E030_0000 to E0FF_FFFF				Reserved
E600_0000 to F7FF_FFFF				Reserved
F800_0C00 to F800_0FFF				Reserved
F881_0000 to F889_0FFF				Reserved
F8F0_3000 to FBFF_FFFF				Reserved
FE00_0000 to FFFB_FFFF				Reserved

**PL AXI Interface Note**

There are two general purpose interconnect ports that go to the PL, M\_AXI\_GP{1,0}. Each port is addressable by masters in the PS and each port occupies 1 GB of system address space in the ranges specified in [Table 4-1](#). The M\_AXI\_GP addresses are directly from the PS; they are not remapped on their way to the PL. The addresses outside of these ranges are not presented to the PL.

**Execute-In-Place Capable Devices**

The following devices are execute-in-place capable:

- DDR
- OCM
- SMC SRAM/NOR
- Quad-SPI (linear addressing mode)
- M\_AXI\_GP{1, 0} (PL block RAM or external memory with a suitable PL slave controller)

## 4.2 System Bus Masters

The CPUs and AXI\_ACP see the same memory map, except the CPUs have a private bus to access their private timer, interrupt controller, and shared L2 cache / SCU registers. The AXI\_HP interfaces provide high bandwidth to the DDR DRAM and OCM. The other system bus masters include:

- DMA controller, see [Chapter 9, DMA Controller](#)
- Device configuration interface (DevC), see [Chapter 6, Boot and Configuration](#)
- Debug access port (DAP), see [Chapter 28, System Test and Debug](#)
- PL bus master controllers attached to AXI general purpose ports (S\_AXI\_GP[1:0]), see [Chapter 5, Interconnect](#) and [Chapter 21, Programmable Logic Description](#)
- AHB bus master ports with local DMA units (Ethernet, USB, and SDIO)

## 4.3 SLCR Registers

The System-Level Control registers (SLCR) consist of various registers that are used to control the PS behavior. These registers are accessible via the central interconnect using load and store instructions. The detailed descriptions for each register can be found in [Appendix B, Register Details](#). A summary of the SLCR registers with their base addresses is shown in [Table 4-3](#).

Table 4-3: SLCR Register Map

Register Base Address	Description	Reference
F800_0000	SLCR write protection lock and security	
F800_0100	Clock control and status	See <a href="#">Chapter 25, Clocks</a>
F800_0200	Reset control and status	See <a href="#">Chapter 26, Reset System</a>
F800_0300	APU control	See <a href="#">Chapter 3, Application Processing Unit</a>
F800_0400	TrustZone control	See UG1019, <i>Programming ARM TrustZone Architecture on the Xilinx Zynq-7000 All Programmable SoC</i>
F800_0500	CoreSight SoC debug control	See <a href="#">Chapter 28, System Test and Debug</a>
F800_0600	DDR DRAM controller	See <a href="#">Chapter 10, DDR Memory Controller</a>
F800_0700	MIO pin configuration	See <a href="#">Chapter 2, Signals, Interfaces, and Pins</a>
F800_0800	MIO parallel access	See <a href="#">Chapter 2, Signals, Interfaces, and Pins</a>
F800_0900	Miscellaneous control	See <a href="#">Chapter 29, On-Chip Memory (OCM)</a>
F800_0A00	On-chip memory (OCM) control	See <a href="#">Chapter 29, On-Chip Memory (OCM)</a>
F800_0B00	I/O buffers for MIO pins (GPIOB) and DDR pins (DDRIOB)	See <a href="#">Chapter 2, Signals, Interfaces, and Pins</a>

## 4.4 CPU Private Bus Registers

The registers shown in [Table 4-4](#) are only accessible by the CPU on the CPU private bus. The accelerator coherency port (ACP) cannot access any of the private CPU registers. The private CPU registers are used to control subsystems in the APU.

Table 4-4: CPU Private Register Map

Register Base Address	Description
F890_0000 to F89F_FFFF	Top-level interconnect configuration and Global Programmers View (GPV)
F8F0_0000 to F8F0_00FC	SCU control and status
F8F0_0100 to F8F0_01FF	Interrupt controller CPU
F8F0_0200 to F8F0_02FF	Global timer
F8F0_0600 to F8F0_06FF	Private timers and private watchdog timers
F8F0_1000 to F8F0_1FFF	Interrupt controller distributor
F8F0_2000 to F8F0_2FFF	L2-cache controller

## 4.5 SMC Memory

The SMC memories are accessed via a 32-bit AHB bus (see [Table 4-5](#)). The SMC control registers are listed in [Table 4-6](#). Refer to [Chapter 11, Static Memory Controller](#) for information on the functionality of the NAND and SRAM/NOR controllers.

Table 4-5: SMC Memory Address Map

Register Base Address	Description
E100_0000	SMC NAND Memory address range
E200_0000	SMC SRAM/NOR CS 0 Memory address range
E400_0000	SMC SRAM/NOR CS 1 Memory address range

### Zynq-7000 AP SoC 7z010 CLG225 Device Notice

The 7z010 CLG225 device has a limited number of MIO pins; for SMC, only an 8-bit NAND interface is supported. The 7z010 CLG225 device does not support the NOR/SRAM interface or a 16-bit NAND interface.

## 4.6 PS I/O Peripherals

The I/O Peripheral registers are accessed via a 32-bit APB bus, shown in [Table 4-6](#).

Table 4-6: I/O Peripheral Register Map

Register Base Address	Description
E000_0000, E000_1000	UART Controllers 0, 1
E000_2000, E000_3000	USB Controllers 0, 1
E000_4000, E000_5000	I2C Controllers 0, 1
E000_6000, E000_7000	SPI Controllers 0, 1
E000_8000, E000_9000	CAN Controllers 0, 1
E000_A000	GPIO Controller
E000_B000, E000_C000	Ethernet Controllers 0, 1
E000_D000	Quad-SPI Controller
E000_E000	Static Memory Controller (SMC)
E010_0000, E010_1000	SDIO Controllers 0, 1

## 4.7 Miscellaneous PS Registers

The PS system registers are accessed via a 32-bit AHB bus (see [Table 4-7](#)).

Table 4-7: PS System Register Map

Register Base Address	Description (Acronym)	Register Set
F800_1000, F800_2000	Triple timer counter 0, 1 (TTC 0, TTC 1)	ttc.
F800_3000	DMAC when secure (DMAC S)	dmac.
F800_4000	DMAC when non-secure (DMAC NS)	dmac.
F800_5000	System watchdog timer (SWDT)	swdt.
F800_6000	DDR memory controller	ddrc.
F800_7000	Device configuration interface (DevC)	devcfg.
F800_8000	AXI_HP 0 high performance AXI interface w/ FIFO	afi.
F800_9000	AXI_HP 1 high performance AXI interface w/ FIFO	afi.
F800_A000	AXI_HP 2 high performance AXI interface w/ FIFO	afi.
F800_B000	AXI_HP 3 high performance AXI interface w/ FIFO	afi.
F800_C000	On-chip memory (OCM)	ocm.
F800_D000	Reserved	reserved
F880_0000	CoreSight debug control	cti.

# Interconnect

---

## 5.1 Introduction

The interconnect located within the PS comprises multiple switches to connect system resources using AXI point-to-point channels for communicating addresses, data, and response transactions between master and slave clients. This ARM AMBA 3.0 interconnect implements a full array of the interconnect communications capabilities and overlays for QoS, debug, and test monitoring. The interconnect manages multiple outstanding transactions and is architected for low-latency paths for the ARM CPUs and, for the PL master controllers, a high-throughput and cache coherent datapaths.

### 5.1.1 Features

The interconnect is the primary mechanism for data communications. The following summarizes the interconnect features:

- The interconnect is based on AXI high performance datapath switches:
  - Snoop control unit
  - L2 cache controller
- Interconnect switches based on ARM NIC-301
  - Central interconnect
  - Master interconnect for slave peripherals
  - Slave interconnect for master peripherals
  - Memory interconnect
  - OCM interconnect
  - AHB and APB bridges
- PS-PL Interfaces
  - AXI\_ACP, one cache coherent master port for the PL
  - AXI\_HP, four high performance/bandwidth master ports for the PL
  - AXI\_GP, four general purpose ports (two master ports and two slave ports)

## 5.1.2 Block Diagram

This section discusses the block diagram for all the interconnect, including the interconnect masters, the snoop control unit, central interconnect, master interconnect, slave interconnect, memory interconnect, and OCM interconnect. [Figure 5-1](#) shows the block diagram for the interconnect.

### Interconnect Masters

The interconnect masters are shown at the top of [Figure 5-1](#), and include:

- CPUs and accelerator coherency port (ACP)
- High performance PL interfaces, AXI\_HP{3:0}
- General purpose PL interfaces, AXI\_GP{1:0}
- DMA controller
- AHB masters (I/O peripherals with local DMA units)
- Device configuration (DevC) and debug access port (DAP)

### Snoop Control Unit (SCU)

The functionality of the snoop control unit is described in [Chapter 3, Application Processing Unit](#). The address filtering feature of the SCU makes the SCU function like a switch from the perspective of the traffic from its AXI slave ports to its AXI master ports.

### Central Interconnect

The central interconnect is the core of the ARM NIC301-based interconnect switches.

### Master Interconnect

The master interconnect switches the low-to-medium speed traffic from the central interconnect to M\_AXI\_GP ports, I/O peripherals (IOP) and other blocks.

### Slave Interconnect

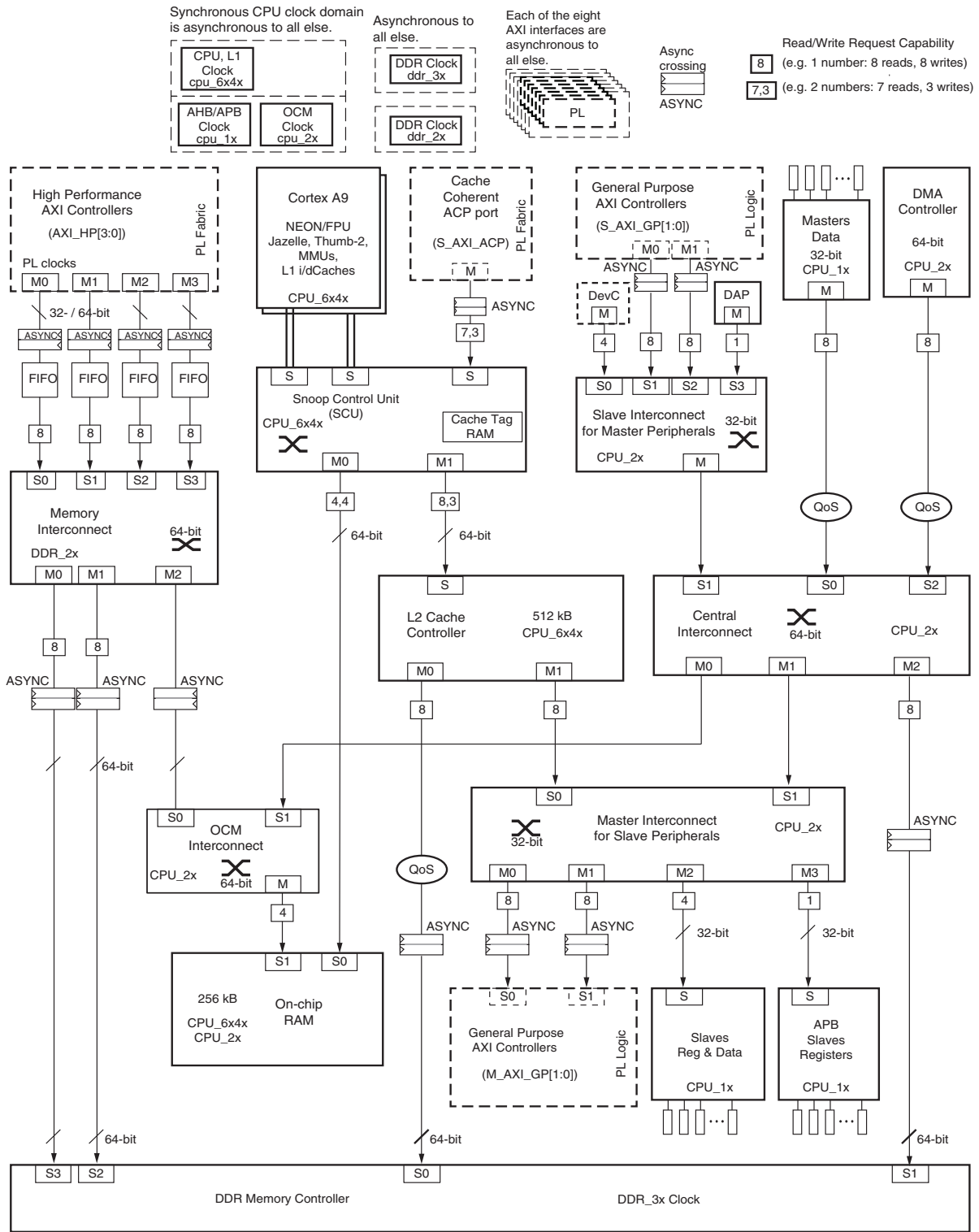
The slave interconnect switches the low-to-medium speed traffic from S\_AXI\_GP ports, DevC and DAP to the central interconnect.

### Memory Interconnect

The memory interconnect switches the high speed traffic from the AXI\_HP ports to DDR DRAM and on-chip RAM (through another interconnect).

### OCM Interconnect

The OCM interconnect switches the high speed traffic from the central interconnect and the memory interconnect.



UG585\_c5\_01\_120813

Figure 5-1: Interconnect Block Diagram

## L2 Cache Controller

The functionality of the L2 cache controller is described in [Chapter 3, Application Processing Unit](#). The address filtering feature of the L2 cache controller makes the L2 cache controller function like a switch from the perspective of the traffic from its AXI slave ports to its AXI master ports.

## Interconnect Slaves

The interconnect slaves are shown toward the bottom of [Figure 5-1](#). The Interconnect slaves include:

- On-chip RAM (OCM)
- DDR DRAM
- General purpose PL interfaces, M\_AXI\_GP{1:0}
- AHB slaves (IOP with local DMA units)
- APB slaves (programmable registers in various blocks)
- GPV (programmable registers of the interconnect, not shown in [Figure 5-1](#))

## 5.1.3 Datapaths

[Table 5-1](#) lists the major datapaths used by the PS interconnect.

Table 5-1: Interconnect Datapaths

Source	Destination	Type	Clock at source	Clock at destination	Sync or Async <sup>(1)</sup>	Data width	R/W Request Capability	Advanced QoS
CPU	SCU	AXI	CPU_6x4x	CPU_6x4x	Sync	64	7, 12	-
AXI_ACP	SCU	AXI	SAXIACPCLK	CPU_6x4x	Async	64	7, 3	-
AXI_HP	FIFO	AXI	SAXIHPnACLK	DDR_2x	Async	32/64	14-70, 8-32 <sup>(2)</sup>	-
S_AXI_GP	Master interconnect	AXI	SAXIGPnACLK	CPU_2x	Async	32	8, 8	-
DevC	Master interconnect	AXI	CPU_1x	CPU_2x	Sync	32	8, 4	-
DAP	Master interconnect	AHB	CPU_1x	CPU_2x	Sync	32	1, 1	-
AHB masters	Central interconnect	AXI	CPU_1x	CPU_2x	Sync	32	8, 8	X
DMA controller	Central interconnect	AXI	CPU_2x	CPU_2x	Sync	64	8, 8	X
Master interconnect	Central interconnect	AXI	CPU_2x	CPU_2x	Sync	64	-	-
FIFO	Memory interconnect	AXI	DDR_2x	DDR_2x	Sync	64	8, 8	-
SCU	L2 Cache	AXI	CPU_6X4x	CPU_6x4x	Sync	64	8, 3	-



Table 5-1: Interconnect Datapaths (Cont'd)

Source	Destination	Type	Clock at source	Clock at destination	Sync or Async <sup>(1)</sup>	Data width	R/W Request Capability	Advanced QoS
Memory interconnect	OCM interconnect	AXI	DDR_2x	CPU_2x	Async	64	-	-
Central interconnect	OCM interconnect	AXI	CPU_2x	CPU_2x	Sync	64	-	-
L2 Cache	Slave interconnect	AXI	CPU_6x4x	CPU_2x	Sync	64	8, 8	-
Central interconnect	Slave interconnect	AXI	CPU_2x	CPU_2x	Sync	64	-	-
SCU	On-chip RAM	AXI	CPU_6x4x	CPU_2x	Sync	64	4, 4	-
OCM interconnect	On-chip RAM	AXI	CPU_2x	CPU_2x	Sync	64	4, 4	-
Slave interconnect	APB slaves	APB	CPU_2x	CPU_1x	Sync	32	1, 1	-
Slave interconnect	AHB slaves	AXI	CPU_2x	CPU_1x	Sync	32	4, 4	-
Slave interconnect	AXI_GP	AXI	CPU_2x	MAXIGPnACLK	Async	32	8, 8	-
L2 cache	DDR controller	AXI	CPU_6x4x	DDR_3x	Async	64	8, 8	X
Central interconnect	DDR controller	AXI	CPU_2x	DDR_3x	Async	64	8, 8	-
Memory interconnect	DDR controller	AXI	DDR_2x	DDR_3x	Async	64	8, 8	-
Slave interconnect	GPV	<sup>(3)</sup>	CPU_2x	(multiple)	-	-	-	-

**Notes:**

1. Each asynchronous path includes an asynchronous bridge for clock domain crossing.
2. Burst-length dependent (see [AXI\\_HP Interfaces](#)).
3. The path from the slave interconnect to GPV is an internal path within the entire interconnect structure. When accessing GPV, ensure that all clocks are on.

### 5.1.4 Clock Domains

The interconnect, masters, and slaves use the clocks shown in [Table 5-2](#):

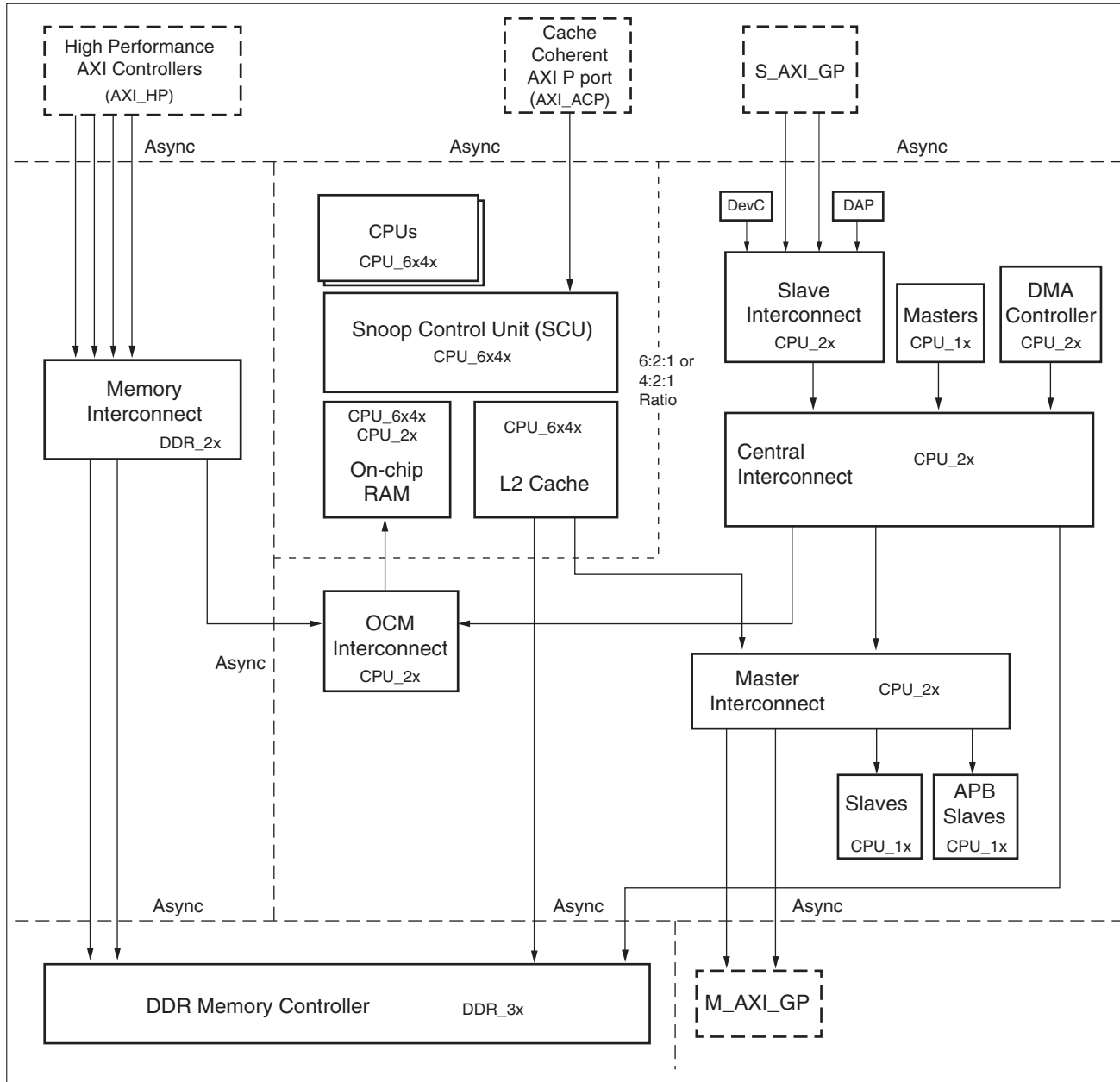
Table 5-2: Clocks used by Interconnect, Masters, and Slaves

CPU_6x4x:	CPUs, SCU, L2 Cache controller, On-Chip RAM
CPU_2x	Central interconnect, master interconnect, slave interconnect, OCM interconnect
CPU_1x	AHB masters, AHB slaves, APB slaves, DevC, DAP
DDR_3x	DDR Memory Controller
DDR_2x	Memory interconnect, FIFOs

Table 5-2: Clocks used by Interconnect, Masters, and Slaves (Cont'd)

CPU_6x4x:	CPUs, SCU, L2 Cache controller, On-Chip RAM
SAXIACPCLK	AXI_ACP slave port
SAXIHP0CLK	AXI_HP0 slave port
SAXIHP1CLK	AXI_HP1 slave port
SAXIHP2CLK	AXI_HP2 slave port
SAXIHP3CLK	AXI_HP3 slave port
SAXIGP0CLK	AXI_GP0 slave port
SAXIGP1CLK	AXI_GP1 slave port
MAXIGP0CLK	AXI_GP0 master port
MAXIGP1CLK	AXI_GP1 master port

Except for CPU\_6X4X, CPU\_2X, and CPU\_1X, which are synchronous clocks with a ratio of 6:2:1 or 4:2:1, all clocks in Table 5-2 are asynchronous to one another, as shown in Figure 5-2.



UG585\_c5\_02\_120813

Figure 5-2: Interconnect Clock Domains

## 5.1.5 Connectivity

The interconnect is not a full cross-bar structure. Table 5-3 shows which master can access which slave.

Table 5-3: Master - Slave Access

Master	Slave	On-chip RAM	DDR Port 0	DDR Port 1	DDR Port 2	DDR Port 3	M_AXI _GP	AHB Slaves	APB Slaves	GPV
CPU <sub>s</sub>		X	X				X	X	X	X
AXI_ACP		X	X				X	X	X	X
AXI_HP{0,1}		X				X				
AXI_HP{2,3}		X			X					
S_AXI_GP{0,1}		X		X			X	X	X	
DMA Controller		X		X			X	X	X	
AHB Masters		X		X			X	X	X	
DevC, DAP		X		X			X	X	X	

## 5.1.6 AXI ID

The interconnect uses 13-bit AXI IDs, consisting of (from MSB to LSB):

- Three bits that identify the interconnect (central, master, slave, etc.)
- Eight bits supplied by the master; width is determined by the largest AXI ID width among all masters
- Two bits that identify the slave interface of the identified interconnect

Table 5-4 lists all possible AXI ID values that a slave can observe.

Table 5-4: Slave Visible AXI ID Values

Master	Master ID Width	AXI ID (as seen by the slaves)
AXI_HP0	6	13'b00000xxxxxxx00
AXI_HP1	6	13'b00000xxxxxxx01
AXI_HP2	6	13'b00000xxxxxxx10
AXI_HP3	6	13'b00000xxxxxxx11
DMAC controller	4	13'b0010000xxxxx00
AHB masters	3	13'b00100000xxx01
DevC	0	13'b0100000000000

Table 5-4: Slave Visible AXI ID Values (Cont'd)

Master	Master ID Width	AXI ID (as seen by the slaves)
DAP	0	13'b0100000000001
S_AXI_GP0	6	13'b01000xxxxxx10
S_AXI_GP1	6	13'b01000xxxxxx11
CPUs, AXI_ACP through L2 M1 port	8	13'b011xxxxxxxxx00
CPUs, AXI_ACP through L2 M0 port	8	13'b100xxxxxxxxx00

**Notes:**

1. x, which can be either 0 or 1, originates from the requesting master.

### 5.1.7 Read/Write Request Capability

The R/W Request Capability shown in Figure 5-1 and in Table 5-1 describes the maximum number of requests that the master of a datapath can issue. This does not mean the master can always issue the maximum number of requests under all circumstances or scenarios. There are conditions where other limiting factors can be active to reduce the number of requests.

One particular example is the extended write rule in the deadlock avoidance scheme, which ensures the network only issues a write transaction (on the AW channel) if all the outstanding write transactions have had the last write data beat transmitted (on the W channel). Under this rule, if the number of write data beats is large, preventing a second write request from being issued in a certain spot in the network, because the network must wait until the last beat of write data of the first write is transmitted, then only a single write request can be issued by a master.

### 5.1.8 Register Overview

Table 5-5 provides an overview of the GPV registers.

Table 5-5: GPV Register Overview

Function	Name	Overview
TrustZone	security_gp0_axi security_gp1_axi	Control boot secure settings for the slave ports of the slave interconnect.
Advanced QoS	qos_cntl, max_ot, max_comb_ot, aw_p, aw_b, aw_r, ar_p, ar_b, ar_r	Control advanced QoS features, maximum number of outstanding transactions, AW and AR channel peak rates, burstiness, average rates.

## 5.2 Quality of Service (QoS)

### 5.2.1 Basic Arbitration

Each interconnect (central, master, slave, memory) uses a two-level arbitration scheme to resolve contention. The first-level arbitration is based on the priority indicated by the AXI QoS signals from the master or programmable registers. The highest QoS value has the highest priority. The second-level arbitration is based on a least recently granted (LRG) scheme and is used when multiple requests are pending with the same QoS signal value. Information on OCM arbitration can be found in [Chapter 10, DDR Memory Controller](#).

### 5.2.2 Advanced QoS

In addition to the basic arbitration, the interconnect provides an advanced QoS control mechanism. This programmable mechanism influences interconnect arbitration for requests from these masters:

- CPUs and ACP requests to DDR (through L2 cache controller port M0)
- DMA controller requests to DDR and OCM (through the central interconnect)
- AMBA master requests to DDR and OCM (through the central interconnect)

In the PS, advanced QoS modules exist on the following paths:

- Path from L2 cache to DDR
- Path from DMA controller to the central interconnect
- Path from AHB masters to the central interconnect

The QoS module is based on ARM QoS-301, which is an extension to the NIC-301 network interconnect. They provide facilities to regulate transactions as follows:

- Maximum number of outstanding transactions
- Peak rates,
- Average rates
- Burstiness

For more information, refer to *CoreLink QoS-301 Network Interconnect Advanced Quality of Service Technical Reference Manual*.

The use of QoS arbitration for all slave interfaces should be performed with careful deliberation, as fixed priority arbitration leads to starvation issues if not used properly. By default, all ports have equal priority so starvation is not an issue.

#### Rationale

You are expected to create “well behaved” masters in the PL, which sufficiently throttle their rate of command issuance, or use the AXI\_HP issuance capability settings. However, traffic from CPUs

(through L2 cache), the DMA controller, and the IOP masters can interfere with traffic from the PL. The QoS modules allow you to throttle these PS masters to ensure expected/consistent throughput and latency for the user design in the PL or specific PS masters. This is especially useful for video, which requires guaranteed maximum latency. By regulating the “irregular” masters such as CPUs, the DMA controller, and IOP masters, it is possible to guarantee maximum latency for PL-based video.

## 5.2.3 DDR Port Arbitration

The PS interconnect uses all four QoS signals except where it attaches to the DDR memory controller, which takes only the most significant QoS signal. A 3-input mux selects among this QoS signal, another signal from the SLCR.DDR\_URGENT register, and a DDRARB signal directly from the PL to determine if a request is urgent. Refer to [Chapter 10, DDR Memory Controller](#) for more details.

---

## 5.3 AXI\_HP Interfaces

The four AXI\_HP interfaces provide PL bus masters with high bandwidth datapaths to the DDR and OCM memories. Each interface includes two FIFO buffers for read and write traffic. The PL to memory interconnect routes the high-speed AXI\_HP ports to two DDR memory ports or the OCM. The AXI\_HP interfaces are also referenced as AFI (AXI FIFO interface), to emphasize their buffering capabilities. The PL level shifters must be enabled through LVL\_SHFTR\_EN before PL logic communication can occur.

### 5.3.1 Features

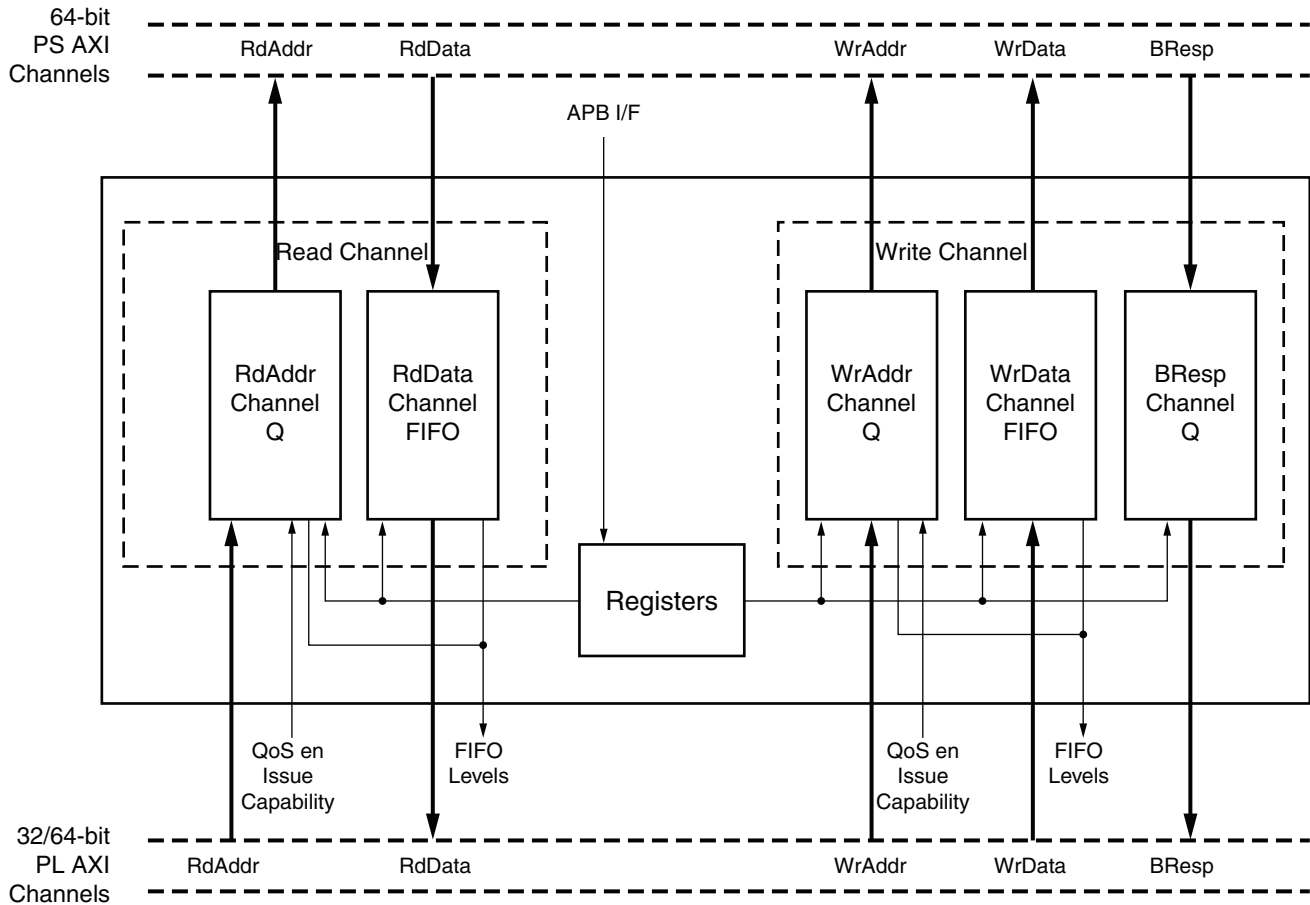
The interfaces are designed to provide a high throughput datapath between PL masters and PS memories, including the DDR and on-chip RAM. The main features include:

- 32- or 64-bit data wide master interfaces (independently programmed per port)
- Efficient dynamic upsizing to 64-bits for aligned transfers in 32-bit interface mode, controllable through AxCACHE[1]
- Automatic expansion to 64-bits for unaligned 32-bit transfers in 32-bit interface mode
- Programmable release threshold of write commands
- Asynchronous clock frequency domain crossing for all AXI interfaces between the PL and PS
- Smoothing out of “long-latency” transfers using 1 KB (128 by 64 bit) data FIFOs for both reads and writes
- QoS signaling available from PL ports
- Command and data FIFO fill-level counts available to the PL
- Standard AXI 3.0 interfaces supported
- Programmable command issuance to the interconnect, separately for read and write commands
- Large slave interface read acceptance capability in the range of 14 to 70 commands (burst length dependent)

- Large slave interface write acceptance capability in the range of 8 to 32 commands (burst length dependent)

### 5.3.2 Block Diagram

Figure 5-3 shows the block diagram for the AXI\_HP interfaces.



UG585\_c5\_03\_121613

Figure 5-3: AXI\_HP Block Diagram



### 5.3.3 Functional Description

There are two sets of AXI ports, one set connecting directly to the PL and the other connecting to the AXI interconnect matrix, allowing access to DDR and OCM memory (see [Figure 5-4](#)).

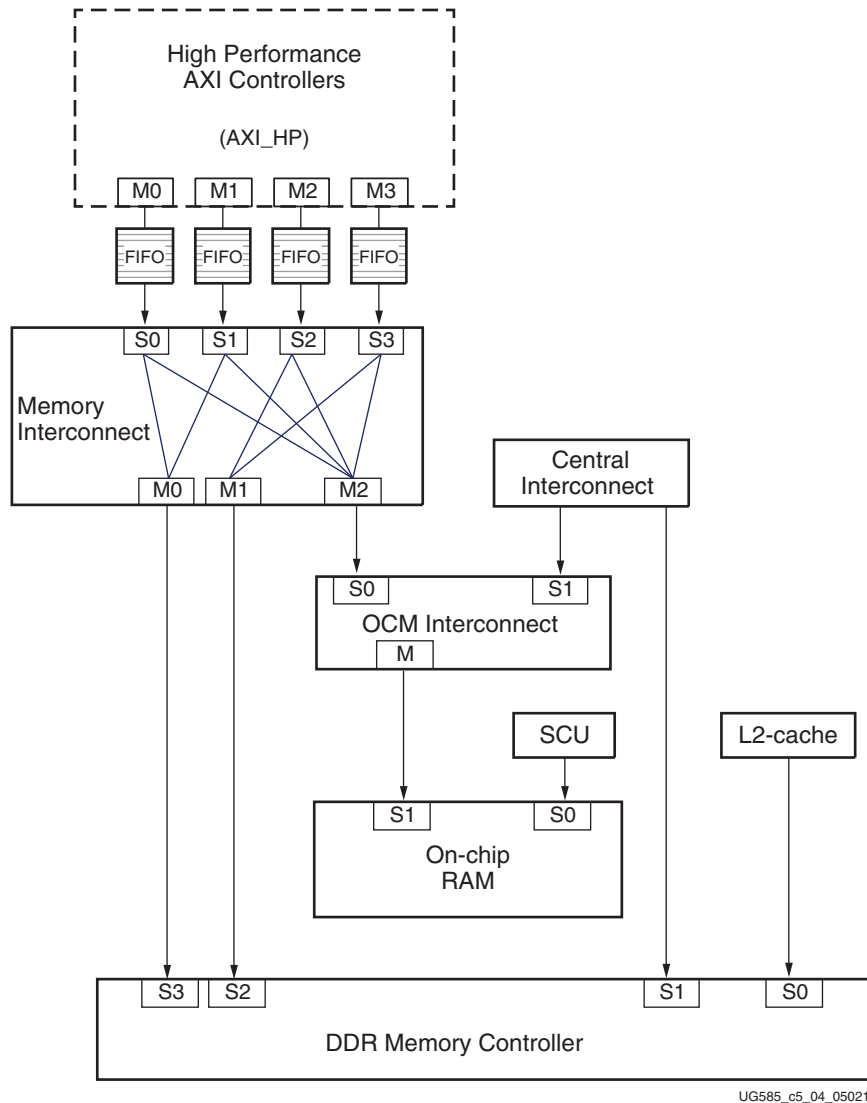


Figure 5-4: High Performance (AXI\_HP) Connectivity

### 5.3.4 Performance

See [Chapter 22, Programmable Logic Design Guide](#) for more information.

### 5.3.5 Register Overview

A partial list of registers related to the high performance AXI port is listed in [Table 5-6](#)

Table 5-6: High Performance (AFI) AXI Register Overview

Module	Register Name	Overview
AXI_HP	AFI_RDCHAN_CTRL AFI_WRCHAN_CTRL	Select 64- or 32-bit interface width mode. Various bandwidth management control settings.
	AFI_RDCHAN_ISSUINGCAP AFI_WRCHAN_ISSUINGCAP	Maximum outstanding read/write commands
	AFI_RDQOS AFI_WRQOS	Read/write register-based quality of service (QoS) priority value
	AFI_RDDATAFIFO_LEVEL AFI_WRDATAFIFO_LEVEL	Read/write data FIFO register occupancy
OCM	OCM_CONTROL	Change arbitration priority of HP (and central interconnect) accesses at OCM with respect to SCU writes.
DDRC	axi_priority_rd_port2 axi_priority_wr_port2	Various priority settings for arbitration at DDR controller for AXI_HP (AFI) ports 2 and 3
	axi_priority_rd_port3 axi_priority_wr_port3	Various priority settings for arbitration at DDR controller for AXI_HP (AFI) ports 0 and 1
SLCR	LVL_SHFTR_EN	Level shifters. Must be enabled before using any of the PL AXI interfaces.

### 5.3.6 Bandwidth Management Features

For applications requiring multiple programmable logic masters on multiple high performance AXI interface ports simultaneously, and in the presence of a medium or heavily loaded PS system, the management of the bandwidth per programmable logic port or “thread” becomes more difficult.

For example, if real-time type traffic is required on one thread, possibly mixed with non real-time traffic on other threads/ports, the standard AXI 3.0 bus protocol does not explicitly provide methods to manage priority.

The high performance AXI interface module does provide several functions to assist priority and queue management. The majority of management functions are provided to both the programmable logic design as PL signals and the PS as registers, as performance optimization is application dependent. This allows maximum flexibility, while simplifying the high performance AXI interface requirements.

The additional signals provided to the PL in addition to standard AXI3 signals are provided in [Table 5-7](#). The priority and occupancy management functions provided are discussed in the following sections.

Table 5-7: Additional per-port HP PL Signals

Type	PS-PL Signal Name	I/O	Description
FIFO occupancy	SAXIHP{0-3}RCOUNT[7:0]	O	Fill level of the RdData channel FIFO
	SAXIHP{0-3}WCOUNT[7:0]	O	Fill level of the WrData channel FIFO
	SAXIHP{0-3}RACOUNT[2:0]	O	Fill level of the RdAddr channel FIFO
	SAXIHP{0-3}WACOUNT[5:0]	O	Fill level of the WrAddr channel FIFO
Quality of service	SAXIHP{0-3}AWQOS[3:0]	I	WrAddr channel QoS input. Qualified by SAXIHP{0-3}AWVALID
	SAXIHP{0-3}ARQOS[3:0]	I	RdAddr channel QoS input. Qualified by SAXIHP{0-3}ARVALID
Interconnect issuance throttling	SAXIHP{0-3}RDISSUECAP1EN	I	When asserted (1), indicates that the maximum outstanding read commands (issuing capability) should be derived from the "rdIssueCap1" register.
	SAXIHP{0-3}WRDISSUECAP1EN	I	When asserted (1), indicates that the maximum outstanding write commands (issuing capability) should be derived from the "wrIssueCap1" register.

## QoS Priority

The AXI QoS input signals can be used to assign an arbitration priority to the read and write commands.

Note that the PS interconnect allows either master control or programmable (register) control as a configuration option. For the AFI, it is desirable to have the ability for masters to dynamically change the QoS inputs. However, to provide flexibility the register field `axi_hp.AFI_RDCHAN_CTRL` [FabricQosEn] is provided. This allows a static QoS value to be programmed through the high performance AXI interface port, ignoring the PL AXI QoS inputs.

## FIFO Occupancy

The level of the data and command FIFOs for both read and write are exported to the PL, allowing you to take advantage of the QoS feature supported by the top-level interconnect. Based on the relative levels of these FIFOs, a PL controller could dynamically change the priority of the individual read and write requests into the high performance AXI interface block(s). For example, if a particular PL master read data FIFO is getting too empty, the priority of the read requests could be increased.

The filling of this FIFO now takes priority over the other three FIFOs. When the FIFO reaches an acceptable fill-level, the priority typically is reduced again. The exact scheme used to control the relative priorities is flexible, as it must be performed in the programmable logic. Note that the "FIFO Level" should be used as a relative level, as opposed to an exact level, because clock domain crossing is involved.

Another possible application of the FIFO levels is using them to "look ahead" at the data fill level to determine if data can be read or written without having to use AXI RVALID/WREADY handshake signals. This could potentially simplify the AXI interface design logic, enabling higher speeds of operation.

## Interconnect Issuance Throttling

To optimize the latency or throughput of other masters in the system such as the CPUs, it might be desirable to constrain the number of outstanding transactions that a high-performance port requests to the system interconnect. Issuing capability is the maximum number of outstanding commands that a HP can request at any one time.

Control of the read and write command issuing capability of the high performance AXI interface is available as a primary input from the logic. This option can be enabled by means of the `axi_hp.AFI_{RD, WR}CHAN_CTRL` [FabricOutCmdEn] register fields.

The logic signals, `SAXIHP{0-3}RDISSUECAP1_EN` and `SAXIHP{0-3}WRISSUECAP1_EN` allow you to change the issuing capability of the AFI block to the PS dynamically between two levels.

## Write FIFO Store and Forward

The write channels can be configured to store and forward write commands or allow them to pass through with no storage. The following two registers control the mode of write, store, and forward:

- `axi_hp.AFI_WRCHAN_CTRL` [WrCmdReleaseMode]
- `axi_hp.AFI_WRCHAN_CTRL` [WrDataThreshold]

The mode register selects between a complete AXI burst store and forward, a partial AXI burst store and forward, or a pass through (no store at all). If absolute minimum latency for write commands is required, the pass-through mode could be selected. However, in cases where multiple masters are competing for the system slaves, better system performance can likely be achieved using at least the partial AXI burst store and forward mode. This is because once an AXI write is committed at each point throughout the PS, the entire burst must be processed before any other write data from other write commands can be processed.

For example, using pass-through mode, if one HP port with a slow clock rate issues a long burst, a second port with a faster clock rate might need to wait until the entire slower write data burst has been transferred, even if all of the write data on the fast clock is available. This is different from the case of reads, where read data interleaving is permitted.

## 32-bit Interface Considerations

Each physical high performance PL AXI interface is programmable to be either a 32-bit or 64-bit interface through the register field `axi_hp.AFI_{RD, WR}CHAN_CTRL` [32BitEn]. Note that the read and write channels have separate enables and can therefore be configured differently.

## Upsizing and Expansion

In 32-bit mode, some form of translation between the 32-bit port and the 64-bit port is required. For write data, the 32-bit data (and write strobes) must be aligned correctly onto the appropriate lanes in the 64-bit domain. For read data, the appropriate lanes of the 64-bit data must be aligned onto the 32-bit data bus. This data alignment between different width interfaces were automatically dealt with by the high performance AXI interface module.

For the 32-bit mode, an “expansion” or “upsizing” must be performed to the 64-bit bus. These are defined as follows:

- Expansion. The AxSIZE[] and AxLEN[] signals remain unchanged on the 64-bit bus. The number of data beats in the 64-bit domain is therefore the same as the number of data beats in the 32-bit domain. This is the simplest option but also the most inefficient in terms of bandwidth utilization.
- Upsizing. This is an optimization that makes better use of the 64-bit bus available bandwidth. The AxSIZE[] signal can be changed to `64-BIT (expansion case it is `32-BIT or less) and the AxLEN[] field can potentially be adjusted to make use of the 64-bit bus. For a full width transfer, the number of data beats in the 64-bit domain is now, at best, *half* the number of data beats in the 32-bit domain. For example, a burst of 16x32-bit is upsized to a burst of 8x64-bit.

**Note:** Upsizing only occurs if the AxCACHE[1] bit is set; if it is not, expansion of the command occurs. This means that you can dynamically control, on a per-command basis, whether to expand or upsize.

**Note:** In 64-bit mode, there is no translation between the programmable logic transactions and the internal 64-bit PS transactions. Whatever appears at the PL port is passed as is to the PS port. In 64-bit mode, no upsizing or expansion is performed. This also applies to narrow transactions in the 64-bit mode.

## 32-bit Interface Limitations

The high performance AXI interface imposes the following constraints:

1. In 32-bit mode, only burst multiples of 2, incremental burst read commands, aligned to 64-bit boundaries are upsized. All other 32-bit commands are expanded. These include all narrow transactions (wrap as well as fixed burst types).
2. Whenever an expanded read command is accepted from the programmable logic by the AFI, this command is blocked until all outstanding high performance AXI interface read commands in the pipeline are flushed. The flushing occurs automatically under control of the AFI.

The implication is that for expanded commands, performance is very limited, as command pipelining is essentially disabled.

**Note:** All valid AXI command are still supported, just not optimized to take advantage of the 64-bit bus bandwidth.

In the case of write commands completing out-of-order, no performance penalty is incurred because the BRESP can be issued in any order directly back to the PL ports.

To be symmetric across read and write operations, the high performance AXI interface also only upsizes 64-bit aligned burst multiples of 2, incremental burst write commands, in 32-bit mode. However, in the case of writes, no “blocking” of expanded commands occurs. Write performance for expanded commands in 32-bit mode is therefore much higher than read performance.

## 5.3.7 Transaction Types

Table 5-8 summarizes the command types issued to the high performance AXI interface from the PL, and the command modifications that occur.

Table 5-8: High Performance AXI Interface Command Types

No.	Mode	Command Type	Translation	Comments
1	64-bit	64-bit reads all burst types	None	Best optimization possible
2	64-bit	Narrow read	None	Because no upsizing is performed, the narrower the width, the more inefficient the transaction.
3	64-bit	64-bit write all burst types	None	Best optimization possible
4	64-bit	Narrow write	None	Because no upsizing is performed, the narrower the width, the more inefficient the transaction.
5	32-bit	32-bit INCR read aligned to 64-bit even burst multiples	Upsized to 64-bits	Best 32-bit mode optimization possible
6	32-bit	All other 32-bit read commands	Expanded to 64-bits	Each read command is blocked until all previous read commands are completed. Extremely inefficient.
7	32-bit	32-bit INCR write aligned to 64-bit even burst multiples	Upsized to 64-bits	Best 32-bit mode optimization possible
8	32-bit	All other 32-bit write commands	Expanded to 64-bits	Relatively inefficient because no upsizing is performed. No blocking occurs for writes.

## 5.3.8 Command Interleaving and Re-Ordering

When multi-threaded commands are used in AXI, there is the potential for commands being processed out-of-order as well as interleaving of data beats.

The DDR controller guarantees that all read commands are completed continuously, that is, it does not interleave read data onto its external AXI ports. It does however take advantage of re-ordering of read and write commands, to perform internal optimizations. It is therefore expected that read and write commands issued to the DDR controller are sometimes completed in a different order from which they were issued.

Read data interleaving is not supported by either the DDR or the OCM. However, the interconnect might introduce read data interleaving into the system when a single PL port issues multi-threaded read commands to both the DDR and OCM memories.

From the high performance AXI interface perspective:

- Both read and write commands can be re-ordered.
- Read data interleaving might occur.

## 5.3.9 Performance Optimization Summary

This section summarizes the most important considerations when using the high performance AXI interface module from a software or user perspective.

- For general purpose AXI transfers, use the general purpose PS AXI ports and not these ports. These ports are optimized for high throughput applications, but have various limitations.
- [Table 5-8](#) summarizes the different command types issued to the high performance AXI interface module from the PL and the way in which they are dealt with.
- When using 32-bit mode, it is strongly recommended not to use commands of the type shown in line 6 of [Table 5-8](#), as this impacts performance significantly.
- The QoS PL inputs can be controlled from physical programmable logic signals or statically configured in APB registers. The signals allow QoS values to be changed on a per-command basis. The register control is static for all commands.
- The AxCACHE[1] must be set for upsizing to occur. If this bit is not set, expansion always occurs.
- If the PL design demands a continuous read data flow after the first data beat has been read, the design must first allow the read data FIFO to fill with the complete transaction data before popping the first data beat out. The FIFO level is exported to the PL for this purpose. This behavior might be useful if the PL master is not able to be throttled by RVALID after the first data exits the read FIFO.
- Wait states can be inserted if write commands are not asserted at least one cycle ahead of the corresponding first write data beat in 32-bit AXI channel slave interface mode.
- The PL masters should be able to handle read data interleaving. If it is desired that they not deal with this issue, they should not issue multi-threaded read commands to both the OCM and DDR from the same port by using the same ARID value for all outstanding read requests.
- The relationship of write FIFO occupancy to the write data ready to accept signal (WREADY) varies as follows:
  - In 64-bit AXI mode, FIFO not full (SAXIHP0WCOUNT << 128) always implies WREADY=1.
  - In 32-bit AXI mode, there is a dependency between the write address (AWVALID) and the write data (WVALID). If the write address is presented at least one cycle before the first beat of any given write data burst, then the FIFO not full (SAXIHP0WCOUNT << 128) implies WREADY=1. If not, then WREADY is deasserted until the write address is produced. The reason for this back pressure is that in 32-bit mode, expansion/upsizing is performed on the data into the write data FIFO.
- Write response (BVALID) latency is dependent on many factors, such as DDR latency, DDR transaction reordering, and other conflicting traffic (including higher-priority transactions). Write commands and data are sent the entire path to the slave (DDR or OCM) and the response is issued by the slave to return to the high performance AXI interface. Transactions issued after reception of the write response is guaranteed to be committed later at the slave than the responded write transaction. Note that by default, all PS peripherals are set to secure Trustzone mode. This means that any non-secure accesses indicated with AxPROT[1]=1 will received a DECERR response.

## 5.4 AXI\_ACP Interface

The accelerator coherency port provides low-latency access to programmable logic masters, with optional coherency with L1 and L2 cache. From a system perspective, the ACP interface has similar connectivity as the APU CPUs. Due to this close connectivity, the ACP directly competes with them for resource access outside of the APU block. Figure 5-5 gives an overview of the ACP connectivity.



**IMPORTANT:** The PL level shifters must be enabled by `LVL_SHFTR_EN` before PL logic communication can occur.

**Note:** By default, all PS peripherals are set to secure Trustzone mode. This means that any non-secure accesses indicated with `AxPROT[1]=1` will receive a DECERR response.

For more information about the ACP interface, including its limitations, see Chapter 3, Application Processing Unit.

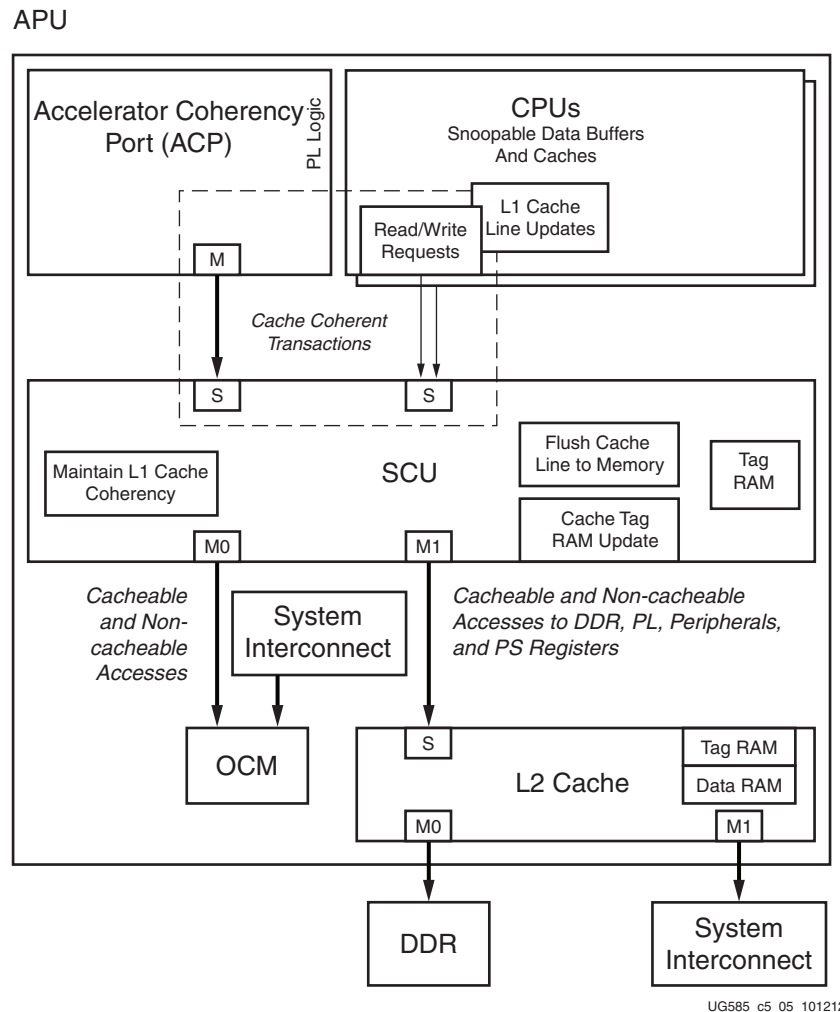


Figure 5-5: ACP Connectivity Diagram



---

## 5.5 AXI\_GP Interfaces

### 5.5.1 Features

AXI\_GP features include:

- Standard AXI protocol
- Data bus width: 32
- Master port ID width: 12
- Master port issuing capability: 8 reads, 8 writes
- Slave port ID width: 6
- Slave port acceptance capability: 8 reads, 8 writes

### 5.5.2 Performance

These interfaces are connected directly to the ports of the master interconnect and the slave interconnect, without any additional FIFO buffering, unlike the AXI\_HP interfaces which has elaborate FIFO buffering to increase performance and throughput. Therefore, the performance is constrained by the ports of the master interconnect and the slave interconnect. These interfaces are for general-purpose use only and are not intended to achieve high performance.



---

**IMPORTANT:** *The PL level shifters must be enabled by LVL\_SHFTR\_EN before PL logic communication can occur.*

---

**Note:** By default, all PS peripherals are set to secure Trustzone mode. This means that any non-secure accesses indicated with AxPROT[1]=1 will received a DECERR response.

---

## 5.6 PS-PL AXI Interface Signals

### 5.6.1 AXI Signals

AXI signals are identified in [Table 5-9](#). The PL level shifters must be enabled by the LVL\_SHFTR\_EN register before PL logic communication can occur, refer to section [2.4 PS-PL Voltage Level Shifter Enables](#).

Table 5-9: AXI Signals Summary

AXI Channel	AXI PS Masters		AXI PS Slaves	
	M_AXI_GP{0,1}	I/O	S_AXI_GP{0,1} S_AXI_HP{0:3} S_AXI_ACP	I/O
<b>Clock, Reset</b>				
	MAXIGP{0,1}ACLK	I	SAXIGP{0,1}ACLK SAXIHP{0:3}ACLK SAXIACPACLK	I
	MAXIGP{0,1}ARESETN	O	SAXIGP{0,1}ARESETN SAXIHP{0:3}ARESETN SAXIACPARESETN	O
<b>Read Address</b>				
	MAXIGP{0,1}ARADDR[31:0]	O	SAXIGP{0,1}ARADDR[31:0] SAXIHP{0:3}ARADDR[31:0] SAXIACPARADDR[31:0]	I
	MAXIGP{0,1}ARVALID	O	SAXIGP{0,1}ARVALID SAXIHP{0:3}ARVALID SAXIACPARVALID	I
	MAXIGP{0,1}ARREADY	I	SAXIGP{0,1}ARREADY SAXIHP{0:3}ARREADY SAXIACPARREADY	O
	MAXIGP{0,1}ARID[11:0]	O	SAXIGP{0,1}ARID[5:0] SAXIHP{0:3}ARID[5:0] SAXIACPARID[2:0]	I
	MAXIGP{0,1}ARLOCK[1:0]	O	SAXIGP{0,1}ARLOCK[1:0] SAXIHP{0:3}ARLOCK[1:0] SAXIACPARLOCK[1:0]	I
	MAXIGP{0,1}ARCACHE[3:0]	O	SAXIGP{0,1}ARCACHE[3:0] SAXIHP{0:3}ARCACHE[3:0] SAXIACPARCACHE[3:0]	I
	MAXIGP{0,1}ARPROT[2:0]	O	SAXIGP{0,1}ARPROT[2:0] SAXIHP{0:3}ARPROT[2:0] SAXIACPARPROT[2:0]	I
	MAXIGP{0,1}ARLEN[3:0]	O	SAXIGP{0,1}ARLEN[3:0] SAXIHP{0:3}ARLEN[3:0] SAXIACPARLEN[3:0]	I
	MAXIGP{0,1}ARSIZE[1:0]	O	SAXIGP{0,1}ARSIZE[1:0] SAXIHP{0:3}ARSIZE[2:0] SAXIACPARSIZE[2:0]	I
	MAXIGP{0,1}ARBURST[1:0]	O	SAXIGP{0,1}ARBURST[1:0] SAXIHP{0:3}ARBURST[1:0] SAXIACPARBURST[1:0]	I
	MAXIGP{0,1}ARQOS[3:0]	O	SAXIGP{0,1}ARQOS[3:0] SAXIHP{0:3}ARQOS[3:0] SAXIACPARQOS[3:0]	I

Table 5-9: AXI Signals Summary (Cont'd)

AXI Channel	AXI PS Masters		AXI PS Slaves	
	M_AXI_GP{0,1}	I/O	S_AXI_GP{0,1} S_AXI_HP{0:3} S_AXI_ACP	I/O
	~		~ ~ SAXIACPARUSER[4:0]	I
<b>Read Data</b>				
	MAXIGP{0,1}RDATA[31:0]	I	SAXIGP{0,1}RDATA[31:0] SAXIHP{0:3}RDATA[63:0] SAXIACPRDATA[63:0]	O
	MAXIGP{0,1}RVALID	I	SAXIGP{0,1}RVALID SAXIHP{0:3}RVALID SAXIACPRVALID	O
	MAXIGP{0,1}RREADY	O	SAXIGP{0,1}RREADY SAXIHP{0:3}RREADY SAXIACPRREADY	I
	MAXIGP{0,1}RID[11:0]	I	SAXIGP{0,1}RID[5:0] SAXIHP{0:3}RID[5:0] SAXIACPRID[2:0]	O
	MAXIGP{0,1}RLAST	I	SAXIGP{0,1}RLAST SAXIHP{0:3}RLAST SAXIACPRLAST	O
	MAXIGP{0,1}RRESP[1:0]	I	SAXIGP{0,1}RRESP[2:0] SAXIHP{0:3}RRESP[2:0] SAXIACPRRESP[2:0]	O
	~		~ SAXIHP{0:3}RCOUNT[7:0] ~	O
	~		~ SAXIHP{0:3}RACOUNT[2:0] ~	O
	~		~ SAXIHP{0:3}RDISUECAP1EN ~	I
<b>Write Address</b>				
	MAXIGP{0,1}AWADDR[31:0]	O	SAXIGP{0,1}AWADDR[31:0] SAXIHP{0:3}AWADDR[31:0] SAXIACPAWADDR[31:0]	I
	MAXIGP{0,1}AWVALID	O	SAXIGP{0,1}AWVALID SAXIHP{0:3}AWVALID SAXIACPAWVALID	I

Table 5-9: AXI Signals Summary (Cont'd)

AXI Channel	AXI PS Masters		AXI PS Slaves	
	M_AXI_GP{0,1}	I/O	S_AXI_GP{0,1} S_AXI_HP{0:3} S_AXI_ACP	I/O
	MAXIGP{0,1}AWREADY	I	SAXIGP{0,1}AWREADY SAXIHP{0:3}AWREADY SAXIACPAWREADY	O
	MAXIGP{0,1}AWID[11:0]	O	SAXIGP{0,1}AWID[5:0] SAXIHP{0:3}AWID[5:0] SAXIACPAWID[2:0]	I
	MAXIGP{0,1}AWLOCK[1:0]	O	SAXIGP{0,1}AWLOCK[1:0] SAXIHP{0:3}AWLOCK[1:0] SAXIACPAWLOCK[1:0]	I
	MAXIGP{0,1}AWCACHE[3:0]	O	SAXIGP{0,1}AWCACHE[3:0] SAXIHP{0:3}AWCACHE[3:0] SAXIACPAWCACHE[3:0]	I
	MAXIGP{0,1}AWPROT[2:0]	O	SAXIGP{0,1}AWPROT[2:0] SAXIHP{0:3}AWPROT[2:0] SAXIACPAWPROT[2:0]	I
	MAXIGP{0,1}AWLEN[3:0]	O	SAXIGP{0,1}AWLEN[3:0] SAXIHP{0:3}AWLEN[3:0] SAXIACPAWLEN[3:0]	I
	MAXIGP{0,1}AWSIZE[1:0]	O	SAXIGP{0,1}AWSIZE[1:0] SAXIHP{0:3}AWSIZE[2:0] SAXIACPAWSIZE[2:0]	I
	MAXIGP{0,1}AWBURST[1:0]	O	SAXIGP{0,1}AWBURST[1:0] SAXIHP{0:3}AWBURST[1:0] SAXIACPAWBURST[1:0]	I
	MAXIGP{0,1}AWQOS[3:0]	O	SAXIGP{0,1}AWQOS[3:0] SAXIHP{0:3}AWQOS[3:0] SAXIACPAWQOS[3:0]	I
	~		~ ~ SAXIACPAWUSER[4:0]	I
<b>Write Data</b>				
	MAXIGP{0,1}WDATA[31:0]	O	SAXIGP{0,1}WDATA[31:0] SAXIHP{0:3}WDATA[63:0] SAXIACPWDATA[63:0]	I
	MAXIGP{0,1}WVALID	O	SAXIGP{0,1}WVALID SAXIHP{0:3}WVALID SAXIACPWVALID	I
	MAXIGP{0,1}WREADY	I	SAXIGP{0,1}WREADY SAXIHP{0:3}WREADY SAXIACPWREADY	O

Table 5-9: AXI Signals Summary (Cont'd)

AXI Channel	AXI PS Masters		AXI PS Slaves	
	M_AXI_GP{0,1}	I/O	S_AXI_GP{0,1} S_AXI_HP{0:3} S_AXI_ACP	I/O
	MAXIGP{0,1}WID[11:0]	O	SAXIGP{0,1}WID[5:0] SAXIHP{0:3}WID[5:0] SAXIACPWID[2:0]	I
	MAXIGP{0,1}WLAST	O	SAXIGP{0,1}WLAST SAXIHP{0:3}WLAST SAXIACPWLAST	I
	MAXIGP{0,1}WSTRB[3:0]	O	SAXIGP{0,1}WSTRB[3:0] SAXIHP{0:3}WSTRB[7:0] SAXIACPWSTRB[7:0]	I
	~		~ SAXIHP{0:3}WCOUNT[7:0] ~	O
	~		~ SAXIHP{0:3}WACOUNT[5:0] ~	O
	~		~ SAXIHP{0:3}WRISSUECAP1EN ~	I
<b>Write Response</b>				
	MAXIGP{0,1}BVALID	I	SAXIGP{0,1}BVALID SAXIHP{0:3}BVALID SAXIACPBVALID	O
	MAXIGP{0,1}BREADY	O	SAXIGP{0,1}BREADY SAXIHP{0:3}BREADY SAXIACPBREADY	I
	MAXIGP{0,1}BID[11:0]	I	SAXIGP{0,1}BID[5:0] SAXIHP{0:3}BID[5:0] SAXIACPBID[2:0]	O
	MAXIGP{0,1}BRESP[1:0]	I	SAXIGP{0,1}BRESP[1:0] SAXIHP{0:3}BRESP[1:0] SAXIACPBRESP[1:0]	O

## 5.6.2 AXI Clocks and Resets

Each interface has a single clock for all five channels that make up an interface. This clock is provided by the PL.

All clocks must be active and all resets must be inactive on all PS-PL AXI interfaces for the GPV to function properly. The entire PS might hang if this condition is not satisfied and a GPV access is

attempted. Therefore, no GPV access should be attempted if not all of the clocks for the PS-PL AXI interfaces are connected and operating.

---

## 5.7 Loopback

Sometimes it can be advantageous to provide a loopback path from the PS to PL and back. A loopback path means that there will be an AXI connection between a PS master and PS slave through the PL, so that designs can manipulate AXI transaction address and/or data in the PL before the data reaches the intended target in the PS. Such a loopback path typically includes a combinatorial shim that translates the destination address from an address in the PL to an address in the PS.

It is not considered a loopback path if the AXI transaction from the PS is terminated in the PL, a separate AXI transaction is created from the PL to the PS, *and* there is no interlocking dependency between the two transactions.

In the AP SoC, the only allowed loopback path is from the GM ports to the HP ports within a set of constraints. Note that HP0 and HP1 share an internal switch, and HP2 and HP3 shares an internal switch. When there is a loopback path from the GM port to an HP port, there can be no other masters than the loopback on the HP port being used, as well as the other HP port sharing its internal switch. For an example, if there is a loopback path from GM1 port to HP1 port, then there can be no other masters on both HP0 and HP1 ports. Similarly, if there is a loopback path from GM0 port to HP2 port, then there can be no other masters on both HP2 and HP3 ports. See [Figure 5-6](#).

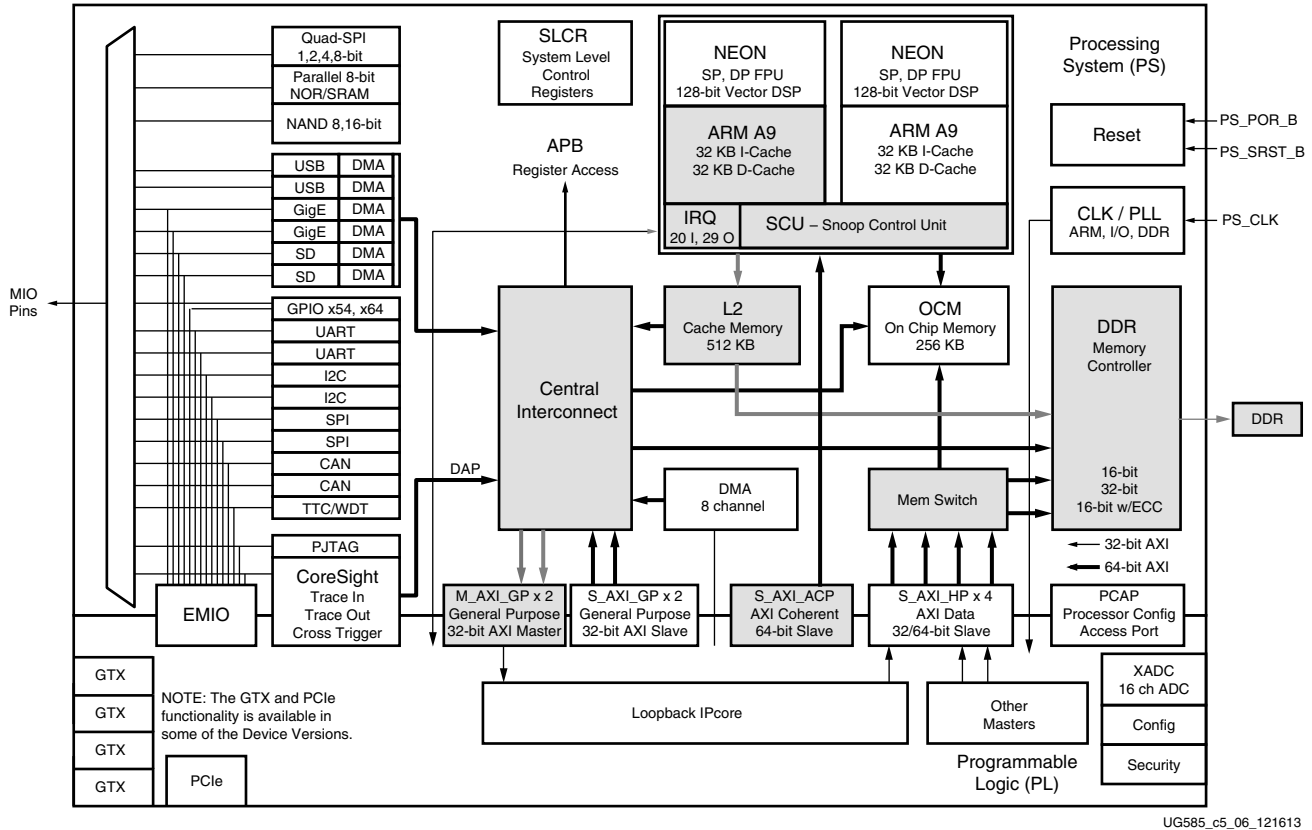


Figure 5-6: Loopback Path

## 5.8 Exclusive AXI Accesses

This section provides a summary of AXI exclusive accesses support and details its architectural limitations. Exclusive AXI accesses are most commonly generated by software in exclusive load and store instructions to implement semaphore structures.

The two Cortex-A9 cores and PL masters from the S\_ACP, S\_GP and S\_HP ports can perform exclusive access. To succeed, exclusive accesses must also terminate to a slave that contains an exclusive monitor. However, the only exclusive monitors in the PS are in L1 cache, and each of the four PS DDRC ports (the OCM RAM does not have an exclusive monitor and so cannot accept exclusive accesses). A user-created L3 exclusive monitor can also be potentially created in the PL.

### 5.8.1 CPU/L2

There are exclusive monitors in APU L1 cache, but not in the L2 level cache. This means the exclusive access address must either terminate in L1 cache or L3 memory, but not in L2.

To use the L1 exclusive monitor, the addressed MMU region must be set to be inner cacheable and inner cache write-back with write-allocate. This allows an address targeted by a particular exclusive access to always be allocated to L1 cache.

To use the L3 exclusive monitor, the access must not terminate at the APU L2 cache. From the ARM CPU perspective, this means the address must be shareable, normal and non-cacheable. Also, the L2 cache controller shared override option (bit 22 in the L2 auxiliary control register) must be set in the auxiliary control register. By default in the APU L2 cache controller, any non-cacheable shared reads are treated as cacheable non-allocatable, while non-cacheable shared writes are treated as cacheable write-through/no write-allocate. The L2 cache controller shared override option in the PL310 auxiliary control register overrides this behavior and prevents allocation into L2 cache.

## 5.8.2 ACP

The PL ACP port does not support exclusive access to coherent memory. Therefore, if the ACP needs to perform exclusive accesses with the CPUs, the access must go to L3: DDR or PL.

## 5.8.3 DDRC

The following are the supported features for exclusive accesses to the PS DDR controller:

- The AXI port supports concurrent monitoring of two exclusive addresses (with different IDs).
- Burst type INCR/WRAP, length='h0 - 'hF, is supported.
- The slave supports OKAY and EXOKAY responses for exclusive accesses.
  - According to the AXI specification, the slave sends out an EXOKAY response for successful exclusive access transactions. For DDRC, this includes reads (up to two active) and writes that match a preceding exclusive read transaction, if the monitored location(s) is still valid.
  - If a monitored location is overwritten by another exclusive or non-exclusive write transaction through any slave port before its corresponding exclusive write, the slave returns an OKAY response for the exclusive write and will not update the corresponding memory locations.

The DDRC exclusive monitor uses AXI bus ID to determine which master is doing the exclusive load and store. While it is possible for a master to generate different IDs, a particular ID will always originate from the same master. The master should also make sure to use the same ID for their LDREX and STREX pair. Cortex-A9 processor will generate the same ID for its LDREX/STREX pair.

There are a some limitations:

1. While only two address locations (ranges) can be monitored concurrently by the DDRC, either of these locations can be updated by another exclusive read transaction while the current transactions have not been completed by their corresponding exclusive writes. In this case, the exclusive write for an earlier monitored address location will receive an OKAY response. The



exclusive monitor picks the slot to be used using round-robin mechanism. An example exclusive access sequence is shown in [Table 5-10](#), assuming one AXI ID per master:

**Table 5-10: Example DDR Port Behavior**

Masters action	DDR Port behavior
Master 1 issues exclusive load to address A	Exclusive monitor 1 now has address A and master 1 recorded
Master 2 issues exclusive load to address B	Exclusive monitor 2 now has address B and master 2 recorded
Master 3 issues exclusive load to address C	Exclusive monitor 1 now has address C and master 3 recorded
Master 1 issues exclusive store to address A	DDRC returns with OKAY, indicating exclusive access had failed
Master 2 issues exclusive store to address B	DDRC returns with EXOKAY, indicating exclusive access successful
Master 3 issues exclusive store to address C	DDRC returns with EXOKAY, indicating exclusive access successful

- Exclusive access between different AXI ports is not supported because the monitors do not share information with each other, thus the DDRC does not support exclusive access across different ports. This means only masters that will access the same DDR port can do exclusive access to a memory through DDR. Example master topologies able to perform exclusive access together are shown in [Table 5-11](#).

**Table 5-11: Example Master Topologies**

Master Topology	Can Perform Exclusives Accesses Together to DDRC?
A9 core 0, A9 Core 1	Yes
A9 core 0, ACP	Yes
PL master on GP0/1 with Cortex-A9	No, GP0/1 ports and Cortex-A9 CPUs use different AXI DDRC AXI ports.
Master on HP0 with master on HP1	Yes, (HP0 and HP1) and (HP2 and HP3) each share a common DDRC AXI port.
Master on HP1 with master on HP2	No, HP1 and HP2 use different DDRC ports.
Master on GP0 with master HP0	No, GP0/1 ports and HP0-3 ports use different DDRC ports.
Master on GP0 with master on GP1	Yes, GP0/1 ports share a common DDRC AXI port.

## 5.8.4 System Summary

Exclusive AXI accesses are summarized in [Table 5-12](#).

Table 5-12: Exclusive AXI Accesses Summary

Exclusive Operation	Exclusive Accesses Supported	Notes
Two A9 CPUs to L1 cache	Yes	Normal, inner-cacheable, write-back with write-allocate memory regions only
ACP doing exclusive access to L1	No	ACP does not support exclusive access to coherent memory.
CPU0 and CPU1 to location in L2	No	L2 does not have exclusive monitors.
Two A9 CPU and ACP do exclusive access to DDR	Yes	DDR only support two addresses per port for exclusive access. If there are more than two masters, more than two addresses might be involved, and it might cause live-lock. Extra care should be taken to not get in a live-lock situation.
ACP and one of the CPUs do exclusive access to DDR	Yes	Only two masters are allowed.
Exclusive access from two A9 CPUs to DDR	Yes	When L1 and L2 cache is disabled, or when memory is marked as shared, normal, non-cacheable and the L2 shared override bit is set.
Masters on GP and HP ports doing exclusive access to DDR: <ul style="list-style-type: none"> <li>• GP0 and GP1 can do exclusive access with each other only</li> <li>• HP0 and HP1 can do exclusive access with each other only</li> <li>• HP2 and HP3 can do exclusive access with each other only</li> </ul>	Yes	DDRC cannot synchronize exclusive accesses across separate DDRC AXI ports. If more than 2 PL masters or AXI IDs are used per port of DDR, additional software is needed to prevent live-lock.

# Boot and Configuration

---

## 6.1 Introduction

Immediately after the PS\_POR\_B reset pin deasserts, the hardware samples the boot strap pins and optionally enables the PS clock PLLs. Then, the PS begins executing the BootROM code in the on-chip ROM to boot the system. The POR resets the entire device with no previous state saved. The non-POR type resets also cause the BootROM to execute, but without the hardware sampling the strap pins. After a non-POR reset, some registers values are preserved and the device is aware of its previous security mode. Non-POR resets include the PS\_SRST\_B pin and several internal reset sources.

The BootROM is the first software to run on a CPU. The BootROM executes on CPU 0 while CPU 1 is executing the wait for event (WFE) instruction. The main tasks of the BootROM are to configure the system, copy the Boot Image FSBL/User code from the boot device to the OCM, and then branch the code execution to the OCM. Optionally, the FSBL/User code can be executed directly from a Quad-SPI or NOR device in a non-secure environment.

The boot device holds one or more boot images. A boot image is made up of the Boot Header and the first stage boot loader (FSBL). The boot device can also hold a bitstream to configure the PL and an embedded operating system, but these are not accessed by the BootROM. The flash memory device for boot can be Quad-SPI, NAND, NOR, or SD card.

The BootROM execution flow is affected by the pin strap settings, the Boot Header, and what it discovers about the system. The BootROM can execute in a secure environment with encrypted FSBL/User code, or a non-secure environment. For development, the system can be booted in JTAG mode. Or, JTAG can be enabled after a non-secure flash device boot. JTAG always implies a non-secure environment, but it allows for access to the debug access port (DAP) in the APU and the test access port (TAP) in the PL.

### Typical Boot Operations

Normally, the system boots from a flash memory device. The BootROM configures the PS to access the device, reads the Boot Header, validates the header, and then copies the FSBL/User code to the OCM for decryption/authentication and execution. If the header is invalid, the BootROM searches for another header except in SD card boot mode where only one header location is supported.

The BootROM does not necessarily copy the FSBL/User code to the OCM. When the code is unencrypted and RSA is not required, the PS can execute the FSBL/User code directly from a boot device that supports the execute-in-place option (Quad-SPI and NOR).

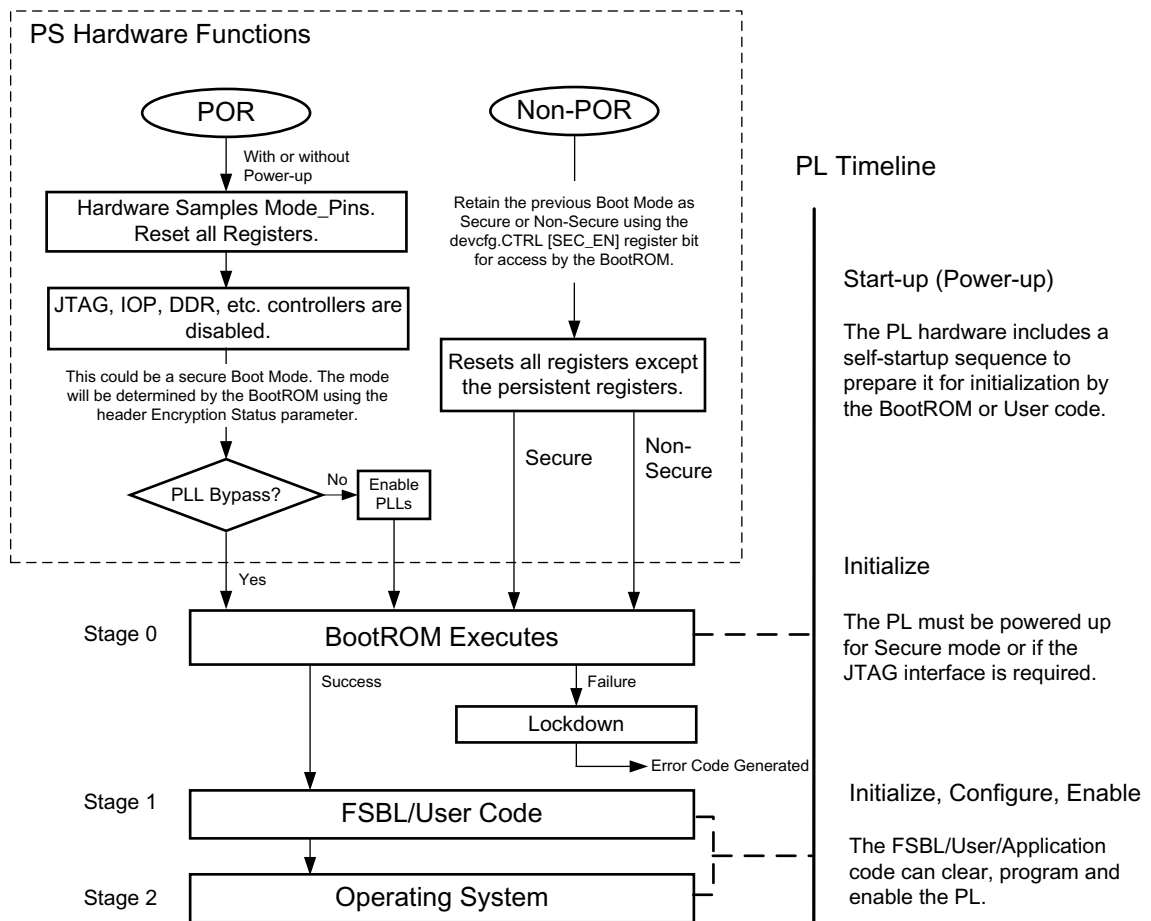
The minimal boot scenario is a non-secure boot from a flash device without JTAG. This is a commonly deployed configuration. If the PL is not required in this case, then the PL does not need to be powered-up. If the PL is needed, then it is usually powered-up with the PS.

Security hardware is described in this chapter and in [Chapter 32, Device Secure Boot](#). After the BootROM executes, the FSBL/User code takes responsibility of the system as described in [UG821, Zynq-7000 All Programmable SoC Software Developers Guide](#).

### Device Boot Flowchart

The POR reset causes the hardware to samples the pin straps, disable modules in the device, and optionally enables the PS clock PLLs. These hardware actions are not performed after a non-POR reset.

The first software to run is the BootROM, then the FSBL/User code and system code. All of these steps are shown in [Figure 6-1](#).



UG585\_c6\_01\_010714

Figure 6-1: PS/PL Boot Process for Hardware and Software

## BootROM and Header Parameters

The Boot Header includes a dozen parameters that guide the BootROM's execution flow. For example, the header includes a parameter to select the security mode: the Encryption Status parameter. In secure mode, the FSBL/User code, bitstream, and other software are encrypted. The BootROM has the ability to authenticate and decrypt the encrypted FSBL/User code. The header itself is never encrypted.

As another example, the header includes the Length of Image parameter that defines the length of the FSBL/User code that the BootROM loads into the OCM for execution. This code is limited to 192 KB in length. This parameter can be set to zero to indicate the desire to execute code directly from the boot device (execute-in-place). All of the header parameters are described in section [6.3.2 Boot Header](#).

The last two functions of the BootROM are to disable access to its ROM code and transfer CPU code execution to the FSBL/User code. The execution of the BootROM is detailed in section [6.3.1 BootROM Flowchart](#).

## Development Environment

For development and debug, the JTAG interface provides access to the DAP and TAP controllers for system control. These provide a wide range of capabilities for the developer. The developer also has the optional ability to access the ARM Test Port User Interface (TPUI) to have a high bandwidth debug datapath from the APU to the debug tools. These test and debug features are described in [Chapter 27, JTAG and DAP Subsystem](#).

In JTAG boot mode, a flash device is not required, but can be part of the system. When booting from a flash device in non-secure mode, the JTAG interface and DAP/TAP controllers can be enabled for debug and test.

## PL Power is Needed for Secure Mode or to use JTAG

The BootROM checks the PL for usability, as needed, based on the boot flow. A secure boot mode or the use of the JTAG interface requires the PL to be powered-up. If the PL is needed, the BootROM waits for up to 90 seconds for the PL to power-up. If the PL does not power-up in this time frame, then the system shuts down without providing an error code.

The PL is not required for non-secure booting from flash memory devices.

## PL Initialization and Configuration

The PL must be powered-up before it can be initialized and then configured with the bitstream. The power-up and bring-up stages of the PL are independent of the PS, but the PL can be under the control of FSBL/User code using GPIOs or serial interfaces to external devices. Internally, the BootROM and FSBL/User code can determine the state of the PL power. FSBL/User code can receive interrupts when the PL power state changes.

The PL boot process has four stages: start-up, initialize, configure, and enable. The start-up stage is self-timed after power is ramped-up to a stable state. The initialization stage clears the SRAM cells in the PL to prepare it for programming by the bitstream (configuration stage). The functional PS-PL

interfaces are then enabled under PS software control. The BootROM does not configure the PL, but it can read its status to determine when it can enable the PL JTAG chain and also when it needs to use the HMAC/AES decryption hardware.

## Secure PS Images and PL Bitstreams

The secure environment starts with an encrypted boot process where the PS acts as the system master and the BootROM reads an encrypted FSBL/user code image from the selected flash memory device and processes it using the hardened, PL based Hash-based Message Authentication Code (HMAC) and an Advanced Encryption Standard (AES) module with a Cipher Block Chaining Mode (CBC). These modules are accessed from The PS through the DevC interface and the downstream Processor Configuration Access Port (PCAP) located in the PL.

The BootROM verifies that the PL has power before attempting to decrypt the FSBL/User code. After the PS has finished executing the BootROM, the PL can be configured by the FSBL/user software using an encrypted bitstream or the PL can be configured or reconfigured later.

The low-level secure environment starts at the I/O pin activity and all potential access points to the PS operating environment. The secure operating environment is maintained through the BootROM execution and transferred to a secure software operating environment.

Various device configuration functions and operating examples are described in section [6.4 Device Configuration Functions and Operations](#). The details of secure boot are covered in [Chapter 32, Device Secure Boot](#). The BootROM can also authenticate files using RSA, refer to [RSA Authentication](#), section 32.2.5.

## Chapter Subsections

The start-up and configuration process includes many different functions and concepts. These are described in this chapter and other parts of this document.

The Boot and Configuration chapter is divide into the following sections:

- [Introduction](#)
  - Overview of bring-up and configuration
- [Device Start-up](#)
  - Power-up, resets, clocks
  - Boot mode pins
- [BootROM](#)
  - Execution flow, boot header
  - Boot devices, image search, multiboot
  - Error codes, system state post-BootROM
- [Device Configuration Functions and Operations](#)
  - PL Start-up, initialization, configuration, and enable
  - PL configuration module access:
    - PS AXI-PCAP bridge

- PL PJTAG (cascade or independent)
- PL ICAP using the AXI\_HWICAP pcore

## 6.1.1 PS Hardware Boot Stages

The PS Hardware Boot stages include power supply ramping, clocking, resets, pin strap sampling and PLL initialization. The PL can be powered up while the PS boots up. The PL boot process is described in section [6.1.7 PL Boot Process](#).

### External PS Control Pins

Within several clock cycles of the PS\_CLK reference clock, the hardware samples the seven Boot Mode strap pins and stores their settings in read-only registers. The strap pins define the initial voltage sensitivity for the MIO input buffers, select the JTAG chain route, and select the flash device that contains the boot image. Development boards automatically deassert the PS\_POR\_B reset pin after the board is powered-up. These boards also include a POR reset button that can be used to generate a POR reset. A non-POR system reset can be generated using the PS\_SRST\_B reset pin.

The details of the PS hardware boot functions are described in section [6.2 Device Start-up](#).

### PS PLL Initialization

The PS PLLs are enabled by MIO pin 6, the BOOT\_MODE[4] strap pin. When the PLLs are enabled, the execution of the BootROM is delayed until the PLL outputs lock. If the PLLs are not enabled, the PS\_CLK reference clock input pin is bypassed around the PLLs and the clock subsystem is driven at the frequency of PS\_CLK clock input. The PLL clocks are described in [Chapter 25, Clocks](#).

## 6.1.2 PS Software Boot Stages

The PS software boot process is controlled by the BootROM and then the FSBL/User code. The BootROM operation is influenced by the boot strap pins, the Boot Header, and what the BootROM detects in the system.

### Stage 0 (BootROM: Boot Header)

Hard-coded BootROM executes on the primary CPU (CPU 0) after a power-on reset (POR) or non-POR system reset (PS\_SRST\_B, debug, watchdog, software). Resets are explained in [Chapter 26, Reset System](#). The BootROM reads the Boot Header programmed into the boot flash device to determine the boot flow and transitions to stage 1.

After the hardware boot sequence, both CPUs start executing the same BootROM code located at address 0x0 where the OCM ROM is initially located to determine their own identity. CPU 1 parks itself by executing the WFE instruction. CPU 0 continues to execute the BootROM.

## Stage 1 (FSBL / U-boot / User code)

This is generally the First Stage Boot Loader, but it can be any user-controlled code. Refer to [UG821](#), *Zynq-7000 All Programmable SoC Software Developers Guide* for details about the FSBL.

## Stage 2 (System / Application)

This is generally the system software, but it could also be a second stage boot loader (SSBL). This stage is also completely within user control and is not described in this chapter. Refer to [UG821](#), *Zynq-7000 All Programmable SoC Software Developers Guide* for details about FSBL and stage 2 images.

### 6.1.3 Boot Device Content

The boot device can store multiple components and multiple versions of the components:

- Boot Header (required by BootROM)
- FSBL/User code ELF file (required by BootROM)
- PL Bitstream (not accessed by BootROM)
- System/Application ELF file (not accessed by BootROM)

The Boot Header is detailed in section [6.3.2 Boot Header](#). The FSBL/User code requirements are described in [UG821](#), *Zynq-7000 All Programmable SoC Software Developers Guide*.

### 6.1.4 Boot Modes

The boot modes include the four master boot mode devices and two JTAG slave boot modes.

#### Flash Devices (Master Mode Boot)

When the system boots from a flash memory device, it is considered a Master Mode boot. The following boot devices are described in subsections of section [6.3 BootROM](#):

- Quad-SPI with optional Execute-in-Place mode
- SD Memory Card
- NAND
- NOR with optional Execute-in-Place mode



---

**RECOMMENDED:** For details on the specific devices that Xilinx recommends for each boot interface, refer to Xilinx Answer AR 50991.

---

#### JTAG (Slave Mode Boot)

The JTAG boot mode is considered a Slave Mode boot and is always a non-secure boot mode. The JTAG chain can be configured in cascade or independent mode. During the boot sequence, the chain



is configured according to the setting of the MIO [2] boot strapping pin. Normally, the system is configured for cascade mode. When the TRM refers to JTAG boot mode, it means JTAG cascade mode unless stated otherwise. The JTAG interface is enabled in all non-secure boot modes. JTAG interfaces require the PL to be powered-up.

- Cascade JTAG chain (most popular):
  - Access DAP and TAP controllers through PL JTAG.
- Independent JTAG chain (common):
  - Access TAP controller through PL JTAG.
  - Access DAP controller through EMIO JTAG via SelectIO pins after configuring the PL with a bitstream.
- Independent JTAG chain (rarely used):
  - Access TAP controller through PL JTAG.
  - Access DAP controller through MIO PJTAG.

The JTAG interfaces are discussed in section [6.4.7 JTAG Interfaces and Controllers](#) and detailed in [Chapter 27, JTAG and DAP Subsystem](#).

## 6.1.5 BootROM Execution

The BootROM execution begins soon after a POR or non-POR reset. A POR reset causes the Hardware Boot stage to occur and then starts the BootROM execution. A non-POR reset skips the hardware stage and starts the BootROM execution almost immediately.

The BootROM executes the on-chip ROM code to perform the system boot process. The BootROM disables all access to the ROM code before transferring code execution over to the FSBL/User code. Details of how the system memory is remapped are shown in [Figure 6-10, page 193](#).

Early in the BootROM execution, it sets up the APU and performs some self-checking. It reads the boot mode pin information and, if the boot mode is not JTAG, the BootROM configures the controller for the selected boot device. The BootROM reads the Boot Header to further configure the system for the desired boot process. In addition to the Boot Header, the boot device provides the first stage boot loader (FSBL) and/or user code that takes over system control when the BootROM is done.

The boot device can also provide an image for the operating system, refer to [UG821, Zynq-7000 All Programmable SoC Software Developers Guide](#). BootROM execution is detailed in section [6.3.1 BootROM Flowchart](#). The Boot Header is described in [6.3.2 Boot Header](#).

### Secure Boot

The BootROM can operate in non-secure or secure mode depending on the configuration setup by the Boot Header. In Secure mode, the FSBL/User code is moved from the flash device, decrypted and written into the OCM memory. The CPU executes the code from the OCM.

If the system is booted in secure mode and then reset by a non-POR reset with a Boot Header that indicates a non-secure boot, then the system goes into a secure lockdown with error code `0x201A`.

## Boot Header Search

If the BootROM does not detect a valid Boot Header, the BootROM performs a search function to find another Boot Header. The search function is described in section [6.3.9 Boot Header Search](#). Boot Header search is supported for Quad-SPI, NAND and NOR boot modes. The Boot Header is never encrypted and the search functions work with an encrypted or un-encrypted FSBL/User code image. Further, the search function is supported with the Quad-SPI and NOR execute-in-place options.

## Error Detection, Device Lockdown and Error Codes

If the BootROM detects an error while executing the Boot Header, it locks down the system and generate an error code. There are two lockdown types:

- Secure Lockdown (no access to device, requires a POR to re-start).
- Non-secure Lockdown (JTAG might be enabled and any system reset can re-start the Zynq device to run the BootROM again).

When a lockdown occurs, the error code is written into the slcr.REBOOT\_STATUS register. The error codes are listed in [Table 6-18, page 189](#).

The user code can force the device into a secure lockdown by writing to the devcfg.CTRL [FORCE\_RST] bit. A POR reset is required to start up the system from this and all secure lockdowns.

## 6.1.6 FSBL / User Code Execution

The FSBL/User code executes after the BootROM is finished. The FSBL/User code re-configures the PS as needed and optionally configures the PL. The BootROM loads the FSBL/User code into the OCM unless the execute-in-place option is enabled. The FSBL/User code operations:

- Initialize the PS using the PS7 Init data that is generated by Vivado tools (MIO, DDR, etc.)
- Program the PL using a bitstream (if provided).
- Load the second stage bootloader or bare-metal application code into DDR memory.
- Hand off system control to the second stage bootloader or bare-metal application.

The FSBL/User code requirements are explained in [UG821, Zynq-7000 All Programmable SoC Software Developers Guide](#). FSBL code can be generated by the Vivado SDK in standalone environments.

## FSBL Image Fallback and Multiboot

If the FSBL detects an error or wants to use a different FSBL image, then it writes the boot image address to the devcfg.Multiboot\_ADDR register and performs a software system reset. This is briefly described in section [6.3.10 MultiBoot](#). Also refer to [UG821, Zynq-7000 All Programmable SoC Software Developers Guide](#) for more information on both fallback and multiboot.

## 6.1.7 PL Boot Process

The PL boot process includes start-up, initialization, configuration, and enable.

- Start-up (power-up the PL voltage).
- Initialization (through the PS or INIT/PROG pins).
- Configuration (through PS AXI-PCAP, JTAG, or PL ICAP).
- Enable PS-PL Interface (through PS).

These steps and their subcomponents are illustrated in [Figure 6-1](#).

## 6.1.8 PL Programming Paths

The PL can be configured by the PS in secure or non-secure mode. The PL can also be configured by the TAP controller on the JTAG chain in non-secure mode.

- PS AXI-PCAP Interface:
  - Secure or Non-secure.
  - Initialize and Configure the PL through the Device Configuration Interface (DevC).
- JTAG TAP Controller:
  - Non-secure.
  - Initialize and Configure the PL through the TAP controller.
- ICAP Interface (not a common option):
  - Re-configuration only by logic instantiated in the PL.

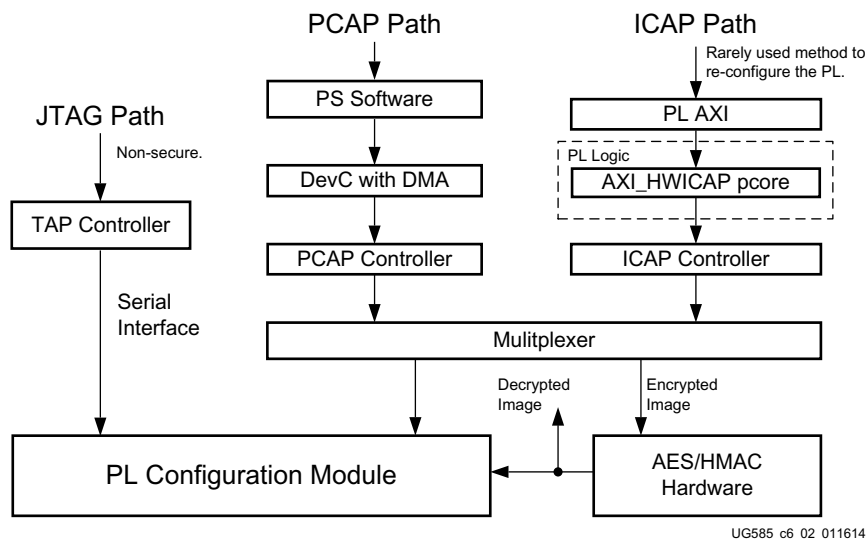


Figure 6-2: PL Programming Paths

## 6.1.9 Device Configuration Interface

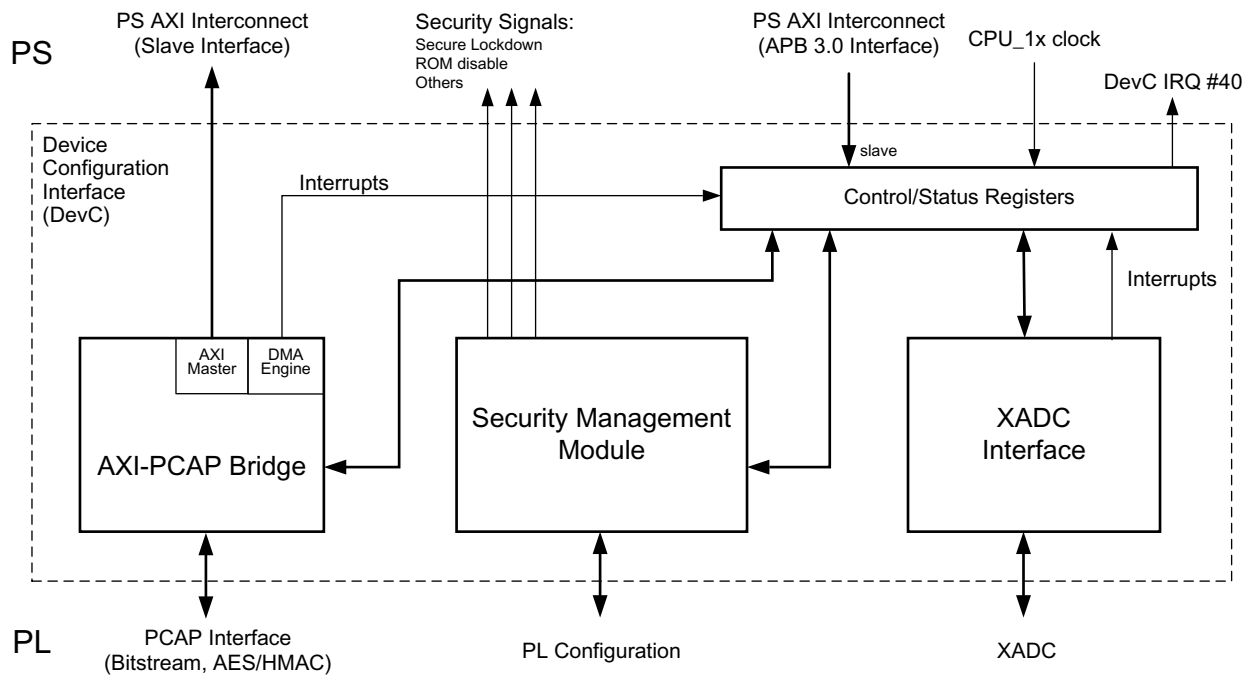
The device configuration interface (DevC) includes the methods and procedures for initializing and configuring the PL under PS software control. The DevC consists of a set of control/status registers and three main functional modules. The PS accesses the APB registers to help control the three independent modules in the DevC.

### Features

- AXI-PCAP Bridge with DMA is used by the PS to configure the PL and decrypt images. This provides the PS with a path to the PL Configuration module. This path can:
  - Decrypt a secure FSBL/User code.
  - Process secure and non-secure PL bitstreams; download/upload concurrently.
  - Process PL bitstream compression commands as needed.
- Security Management Module monitors system activity to maintain a secure operating environment.
  - Basic device security management.
  - Enforce system-level security, including debug controls.
- XADC interface provides PS interconnect access to the Analog-to-Digital converters in the PL, refer to [Chapter 30, XADC Interface](#).
  - Serial interface.
  - Alarm and over-temperature interrupts.

### Block Diagram

The top part of [Figure 6-3](#) connects to the PS and the lower part connects to the PL. The PL must be powered-on to use the DevC.



UG585\_e6\_03\_010714

Figure 6-3: DevC Block Diagram

## DevC Control and Status Registers

The APB registers are used to configure and read the status of the DevC. They are memory mapped in PS address space `0xF800_7000`, refer to [Table 4-7, page 116](#). The registers are summarized in [Table 6-24, page 212](#).

## Interrupts and Status Bits

Interrupts can be generated from any of the three modules in the DevC block. These interrupts are enabled and controlled by register bits before driving the DevC interrupt signal (IRQ ID# 40) to the PS system interrupt controller (GIC).

There are interrupts and status bits to determine the state of the PL, the activity of the DMA controller in the AXI-PCAP bridge, and for the XADC operations.

## AXI-PCAP Bridge Module

The AXI-PCAP bridge is a main component in the configuration of the PL and to decrypt/authenticate the images. The bridge is described in various subsections of section [6.4 Device Configuration Functions and Operations](#).

## Device Security Module

The DevC contains a security management module that provides these functions:

- Monitors the system security and can assert a security reset when conflicting status is detected that could indicate inconsistent system configuration or tampering.
- Controls and monitors the PL configuration logic through the APB interface.
- Controls the ARM CoreSight debug access port (DAP) and debug levels.
- Disables the on-chip BootROM code at the end of BootROM execution to protect its contents from being read by setting the write-once devcfg.ROM\_SHADOW register.

The device security features and functions are described in more detail in [Chapter 32, Device Secure Boot](#).

## XADC Interface

The XADC interface is one path to access the hardened analog-to-digital converters in the PL voltage domain. The two other paths and the information on how to access the XADC are described in [Chapter 30, XADC Interface](#).

### 6.1.10 Starting Code on CPU 1

CPU 0 is in charge of starting code execution on CPU 1. The BootROM puts CPU 1 into the Wait for Event mode. Nothing has been enabled and only a few general purpose registers have been modified to place it in a state where it is waiting at the WFE instruction.

There is a small amount of protocol required for CPU 0 to start an application on CPU1. When CPU1 receives a system event, it immediately reads the contents of address `0xFFFFFFFF0` and jumps to that address. If the SEV is issued prior to updating the destination address location (`0xFFFFFFFF0`), CPU1 continues in the WFE state because `0xFFFFFFFF0` has the address of the WFE instruction as a safety net. If the data that is written to address `0xFFFFFFFF0` is invalid or points to uninitialized memory, results are unpredictable.

Only ARM-32 ISA code is supported for the initial jump on CPU 1. Thumb and Thumb-II code is not supported at the destination of the jump. This means that the destination address must be 32-bit aligned and must be a valid ARM-32 instruction. If these conditions are not met, results are unpredictable.

The steps for CPU 0 to start an application on CPU 1 are as follows:

1. Write the address of the application for CPU 1 to `0xFFFFFFFF0`.
2. Execute the SEV instruction to cause CPU 1 to wake up and jump to the application.

The address range `0xFFFFFE00` to `0xFFFFFFFF0` is reserved and not available for use until the stage 1 or above application is fully functional. Any access to these regions prior to the successful start-up of the second CPU causes unpredictable results.

## 6.1.11 Development Environment

All boot modes, except the JTAG boot mode, execute code within the CPUs to configure both the PS and PL. The JTAG features can only be used in a non-secure operating mode. When the system boots in JTAG mode, the BootROM disables access to the hard-coded ROM memory, as usual, and then executes the WFE instruction in the CPU.

JTAG boot mode has control flexibility for a development environment with access to the PS AXI interconnect via the DAP controller shown in [Figure 5-1, page 119](#).

The JTAG I/O connections are explained in [Chapter 27, JTAG and DAP Subsystem](#). The debug environment is described in [Chapter 28, System Test and Debug](#).

---

## 6.2 Device Start-up

This section includes the following subsections:

- section [6.2.1 Introduction](#)
- section [6.2.2 Power Requirements](#)
- section [6.2.3 Clocks and PLLs](#)
- section [6.2.4 Reset Operations](#)
- section [6.2.5 Boot Mode Pin Settings](#)
- section [6.2.6 I/O Pin Connections for Boot Devices](#)

### 6.2.1 Introduction

The Zynq-7000 device start-up requires proper voltage sequencing and I/O pin control. The flow of the BootROM is controlled by the type of reset, the boot mode pin settings, and the Boot Image. The BootROM expects certain pin connections for the selected boot device.



---

**IMPORTANT:** *Zynq-7000 AP SoC devices have power, clock, and reset requirements that must be met for successful BootROM execution. The data sheets and this section describe the requirements.*

---

### 6.2.2 Power Requirements

The BootROM power requirements for the PS and PL are shown in [Table 6-1](#). Power sequencing and control are discussed in [Chapter 24, Power Management](#).

Table 6-1: PS and PL Power Requirements

Boot Option	Secure After POR Reset	PS Power	PL Power
NAND, NOR, SD card, or Quad-SPI	Yes	Required	Required
	No	Required	Not required
JTAG	No	Required	Required

### 6.2.3 Clocks and PLLs

The PS\_CLK reference clock is routed to multiple sections of the device, including the three PS clock PLLs. The frequency of the PS\_CLK affects the boot time of the device. The PLLs multiply the PS\_CLK to generate high frequency clocks for various system clock modules. When needed, the PLLs can be bypassed to deliver the PS\_CLK clock frequency directly to the system clock modules.

If the PLLs are enabled, then the PS\_CLK clock must be stable before the PLLs are enabled and must remain stable. The clock frequency must be within its operating range as specified in the data sheet.

If the PLLs are bypassed, the PS\_CLK can be toggled as slow as desired and up to its rated input frequency. This can be used to single-step the bring-up processes, control the clock with software, or operate the system at a low clock frequency. Operating the system at a low clock frequency might preclude the use of some modules within the device (e.g., the USB ULPI clock must be at a lower frequency than the CPU\_1x clock).

The device clocks, PS PLLs, and system clock modules are detailed in [Chapter 25, Clocks](#).

### 6.2.4 Reset Operations

There are two types of system resets: POR and non-POR. The details of the system resets are described in [Chapter 26, Reset System](#). All of these resets cause the BootROM to execute.

#### POR Reset

The POR resets reset the whole system, including all of the registers. All states except the eFuse and BBRAM are lost.

- PS\_POR\_B pin

#### Non-POR Resets

Non-POR reset events are recorded in the slcr.REBOOT\_STATUS register. A non-POR reset also causes the BootROM to execute, but the BootROM retains knowledge about the security level of the previous boot in the devcfg.CTRL [SEC\_EN] bit. Not all of the registers are reset by a non-POR reset, refer to [Table 26-2, page 695](#).

The non-POR reset sources include:

- PS\_SRST\_B pin
- Internal system resets



## External Reset Pins

There are two external reset pins:

- PS\_POR\_B: This reset is used to hold the PS in reset until all PS power supplies are at the required voltage levels. It must be held Low during PS power supply ramp-up. PS\_POR\_B can be generated by the power supply “power-good” signal. The POR reset is the only reset to sample the boot mode pin strap resistors.
- PS\_SRST\_B: This reset is used to force a system reset. It can be tied or pulled High, and can be High during the PS power supply ramp-up. The PS\_SRST\_B reset is a non-POR reset.

**Note:** The PS\_SRST\_B signal must not be asserted while the BootROM is executing from a POR reset, otherwise a lock-down event occurs and prevents the BootROM from completing the system boot process. To recover from this type of lockdown, the PS\_POR\_B reset must be asserted.

## Internal Resets

The internal resets are all non-POR resets:

- Software controlled reset: write 1 to slcr.PSS\_RST\_CTRL [SOFT\_RST].
- Watchdog timers: AWDT0, AWDT1 and SWDT controllers.
- JTAG interface.
- Debug.

## Reset Sequencing

The reset sequencing required for boot are illustrated in Figure 6-4. The effects of the resets are described in this chapter and in Chapter 26, Reset System. If PS\_SRST\_B is asserted while the BootROM is executing, then a system lockdown occurs without an error code being generated.

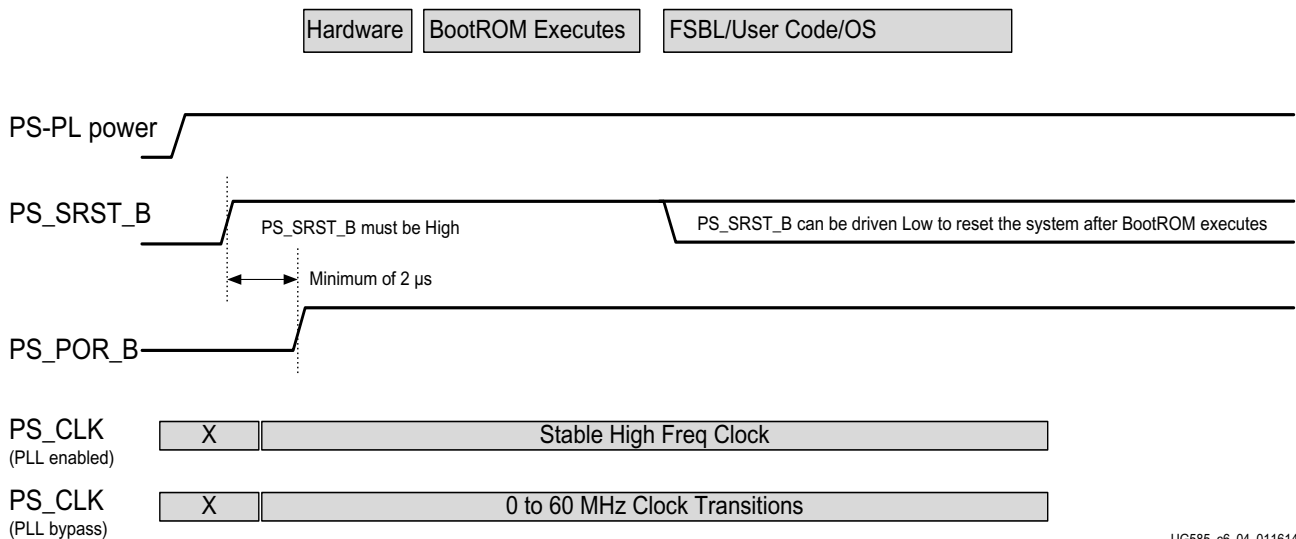


Figure 6-4: Power and Reset Sequencing Waveform

## Reboot Status Register

The type of reset that last occurred (reset reason) is recorded in the slcr.REBOOT\_STATUS register. This register also includes the BootROM error code, when it is generated. The register is accessible to the BootROM and FSBL/User code. The Reboot Status register is reset by a POR reset, but preserved by a non-POR reset.

Table 6-2: Reboot Status Register

slcr.REBOOT_STATUS	Bit	Source
[REBOOT_STATE]	31:24	R/W bit field that remains persistent through all non-POR resets.
Reserved	23	Reserved.
[POR]	22	PS_POR_B reset signal. This is the only reset set after a POR reset.
[SRST_B]	21	PS_SRST_B reset signal.
[DBG_RST]	20	Debug command in the DAP controller.
[SLC_RST]	19	Write to the slcr.PSS_RST_CTRL [SOFT_RST] bit.
[AWDT1_RST]	18	CPU 1 watchdog timer.
[AWDT0_RST]	17	CPU 0 watchdog timer.
[SWDT_RST]	16	System watchdog timer.
[BOOTROM_ERROR_CODE]	15:0	BootROM, refer to <a href="#">Table 6-18</a> .

## System Reset Effects

The effects of the system resets (POR and non-POR) are summarized in [Table 6-3](#).

Table 6-3: System Reset Effects

Reset Type	POR	Non-POR
Sample Pin Straps	Yes	No
Initialize PS PLLs <sup>(1)</sup>	Yes, by the hardware	Yes, by the BootROM
PS RAM (FIFOs, buffers, etc.)	Cleared	Cleared
IOP clocks	Disabled	Disabled
BootROM executes	Yes	Yes
Retains previous boot mode	No	Yes
Reboot Status register	Resets it	Accumulates the system reset type.
System registers	Refer to <a href="#">Table 26-2, page 695</a> for a list of registers that are not affected by POR/Non-POR.	
Resets PL	Yes	Yes

**Notes:**

1. The Boot\_Mode [4] pin strap determines if the PLLs are enabled or bypassed.

## 6.2.5 Boot Mode Pin Settings

There are 7 boot mode strapping pins that are hardware programmed on the board using MIO pins [8:2]. They are sampled by the hardware soon after PS\_POR\_B deasserts and their values are written to software readable registers for use by the BootROM and user software. The board hardware must

connect each strapping pin, MIO [8:2], to a 20 k $\Omega$  pull-up or pull-down resistor. The encoding of the mode pins are shown in [Table 6-4](#). A pull-up resistor specifies a logic 1 and a pull-down resistor specifies a logic 0.

Five pins, BOOT\_MODE[4:0], are used to select the boot mode, JTAG chain config, and if the PLLs are bypassed. The sampled values of these pins are written into the slcr.BOOT\_MODE [BOOT\_MODE] and [PLL\_BYPASS] bit fields.

- Boot modes are explained in section [6.3 BootROM](#).
- Boot strap pins are listed in [Table 6-4](#).
- JTAG chains are described in [6.4.7 JTAG Interfaces and Controllers](#).
- PLLs are described in [6.2.3 Clocks and PLLs](#).

Two pins, VMODE[1:0], are used to select the voltage signaling levels for the two MIO voltage banks. The sampled values of these pins are written into the slcr.GPIOB\_DRVVR\_BIAS\_CTRL [RB\_VCFG] and [LB\_VCFG] bit fields. The VMODE settings are used by the BootROM to initially set the MIO\_PIN\_[53:0] registers to the selected I/O signaling standard. VMODE[0] controls MIO pins [15:0] and VMODE[1] controls MIO pins [53:16]. A pull-up causes the BootROM to select LVCMOS18. A pull-down selects LVCMOS33 which is deemed compatible with LVCMOS25. The MIO pin I/O programming descriptions are described in the slcr.MIO\_PIN\_00 register definition in [Appendix B, Register Details](#).

The FSBL/User code can change the initial boot mode settings for the JTAG chain, the PLLs and the I/O voltage standard for the MIO pins on individual MIO pin basis.

Table 6-4: Boot Mode MIO Strapping Pins

Pin-signal / Mode	MIO[8]	MIO[7]	MIO[6]	MIO[5]	MIO[4]	MIO[3]	MIO[2]
	VMODE[1]	VMODE[0]	BOOT_MODE[4]	BOOT_MODE[0]	BOOT_MODE[2]	BOOT_MODE[1]	BOOT_MODE[3]
<b>Boot Devices</b>							
JTAG Boot Mode; cascaded is most common <sup>(1)</sup>				0	0	0	<b>JTAG Chain Routing<sup>(2)</sup></b> 0: Cascade mode 1: Independent mode
NOR Boot <sup>(3)</sup>				0	0	1	
NAND				0	1	0	
Quad-SPI <sup>(3)</sup>				1	0	0	
SD Card				1	1	0	
<b>Mode for all 3 PLLs</b>							
PLL Enabled			0				
PLL Bypassed			1				
<b>MIO Bank Voltage<sup>(4)</sup></b>							
	<b>Bank 1</b>	<b>Bank 0</b>	Voltage Bank 0 includes MIO pins 0 thru 15. Voltage Bank 1 includes MIO pins 16 thru 53.				
<b>2.5 V, 3.3 V</b>	0	0					
<b>1.8 V</b>	1	1					

**Notes:**

1. JTAG cascaded mode is most common and is the assumed mode in all the references to JTAG mode except where noted.
2. For secure mode, JTAG is not enabled and MIO[2] is ignored.
3. The Quad-SPI and NOR boot modes support execute-in-place (this support is always non-secure)
4. Voltage Banks 0 and 1 must be set to the same value when an interface spans across these voltage banks. Examples include NOR, 16-bit NAND, and a wide TPIU test port. Other interface configuration may also span the two banks.

## 6.2.6 I/O Pin Connections for Boot Devices

The BootROM expects certain external pins to be connected. Some pins connections are necessary for all boot modes. Others depend on the boot mode pin straps and the Boot Header. After the BootROM executes, user code can reconfigure the I/O pin connections as desired.

- Connections required for all boot configurations:
  - PS power supply
  - PS\_POR\_B, PS\_SRST\_B, and PS\_CLK\_B
- MIO connections for specific boot devices
  - Quad-SPI (auto detect 1, 2, 4, or 8-bit interface)
  - SD memory card (SDIO 0, MIO pins 40-47)
  - NAND (auto detect 8 or 16-bit interface)
  - NOR (CS 0)
  - JTAG (PLJTAG interface), normally used in Cascade Chain mode

## 6.3 BootROM

The BootROM executes after a system reset to configure the PS as described in the introduction. This section provides the details of the boot process, the format of the Boot Header, the BootROM performance with examples, the functions and needs of each boot device, the various boot images, and the boot failure error codes.

This section includes the following subsections:

- [6.3.1 BootROM Flowchart](#)
- [6.3.2 Boot Header](#)
- [6.3.3 BootROM Performance](#)
- [6.3.4 Quad-SPI Boot](#)
- [6.3.5 NAND Boot](#)
- [6.3.6 NOR Boot](#)
- [6.3.7 SD Card Boot](#)
- [6.3.8 MIO Pin Register Values after a Reset, Lockdown, and JTAG](#)
- [6.3.9 Boot Header Search](#)
- [6.3.10 MultiBoot](#)
- [6.3.11 BootROM Error Codes](#)
- [6.3.12 Post BootROM State](#)
- [6.3.13 Registers Modified by the BootROM – Examples](#)

### 6.3.1 BootROM Flowchart

Zynq-7000 configuration starts after a system reset. The overall boot process is illustrated in [Figure 6-1, page 148](#) and the BootROM execution is shown in [Figure 6-5, page 167](#). CPU 0 executes the BootROM code with the DAP and TAP JTAG controllers disabled. The DDR memory controller and other peripheral are not initialized by the BootROM.

The PL power-up and initialization sequences can occur in parallel with or after the PS start-up. If the BootROM needs the PL powered up, then early in the BootROM execution, the BootROM asserts the devcfg.PCFG\_PROG\_B signal and waits for devcfg.STATUS.PCFG\_INIT to assert before proceeding with BootROM execution.

Externally holding PROG\_B low could prevent the PS from booting.

The PL is needed for PCAP access and image decryption. The BootROM tests the PL state before accessing its resources using a 90 second timeout.

## Secure/Non-Secure

For security reasons, CPU 0 is always the first device out of reset among all master modules within the PS. CPU 1 is held in an WFE state. While the BootROM is running, JTAG is always disabled, regardless of the reset type, to ensure security. After the BootROM runs, JTAG is enabled if the boot mode is non-secure.

The BootROM code is also responsible for loading the FSBL/User code. When the BootROM releases control to stage 1, user software assumes full control of the entire system. The only way to execute the BootROM again is by generating one of the system resets. The FSBL/User code size, encrypted and unencrypted, is limited to 192 KB. This limit does not apply with the non-secure execute-in-place option.

The PS boot source is selected through the BOOT\_MODE signals (indicated by a weak pull-up or pull-down resistors applied to strap pins), which are sampled once during power-on reset (POR). The sampled values are stored in the slcr.BOOT\_MODE register.

The BootROM supports encrypted/authenticated, and unencrypted images referred to as *secure boot* and *non-secure boot*, respectively.

The BootROM supports execution of the stage 1 image directly from NOR or Quad-SPI when using the execute-in-place option, but only for non secure boot images. Execute-in-place is possible only for NOR and Quad-SPI boot modes.

In secure boot, the CPU, running the BootROM code, decrypts and authenticates the user PS image on the boot device, stores it in the OCM, and then branches to it.

In non-secure boot, the CPU, running the BootROM code, disables all secure boot features including the AES engine within the PL before branching to the user image in the OCM or the flash device (if execute-in-place is used).

Any subsequent boot stages for either the PS or the PL are your responsibility and are under your control. The BootROM code is not accessible to you. Following a stage 1 secure boot, you can proceed with either secure or non-secure subsequent boot stages. Following a non-secure first stage boot, only non-secure subsequent boot stages are possible.

## Boot Sources

There are five possible boot sources: NAND, NOR, SD card, Quad-SPI, and JTAG. The first four boot sources are used in master boot methods in which the CPU loads the external boot image from nonvolatile memory into the PS.

JTAG is the slave boot mode, and is only supported with a non-secure boot. An external host computer acts as the master to load the boot image into the OCM through a JTAG connection. The PS CPU remains in idle mode as the boot image is loaded.

## BootROM Code CRC Checking

The BootROM performs a 128 KB CRC calculation of the ROM code prior to loading the FSBL when the OCM ROM 128KB CRC Enable eFuse bit is blown. This checking adds about 25 ms to the boot time. For more information on the eFuse bits, see section [32.2.4 eFuse Settings](#).

The configuration flow for the BootROM is shown in [Figure 6-5](#).

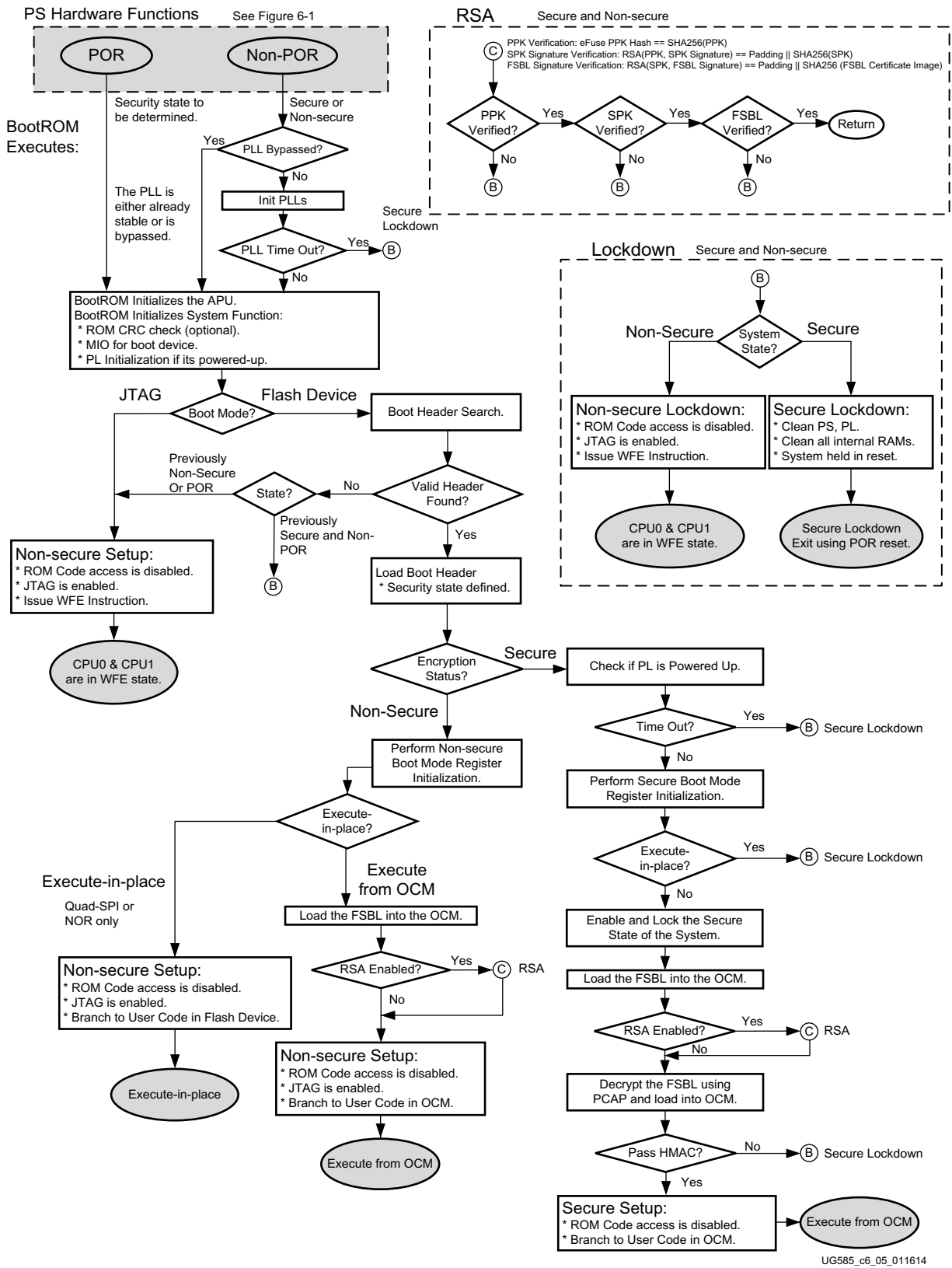


Figure 6-5: BootROM Configuration Flowchart

## APU Initialization

The BootROM configures the APU and MIO multiplexer to support the boot process. The state of the MIO pins for each boot mode is described in tables in the Boot Device sections (for example, [Table 6-9](#) for Quad-SPI). The BootROM uses the CPU 0 to execute the ROM code. CPU 1 executed the WFE instruction. The caches and TLBs are invalidated. The BootROM configures the MMU and other system resources to meet the needs of the BootROM execution. The state of the APU is described in section [6.3.12 Post BootROM State](#).

**Note:** FSBL/User code and operating system software must configure the APU for their own needs and should consider the CPU initialization steps described in [3.9 CPU Initialization Sequence](#).

### 6.3.2 Boot Header

The BootROM requires a header for all master boot modes (flash devices). In JTAG slave boot mode, the Boot Header is not used and the BootROM does not load the FSBL/User code.

The Boot Header parameters are shown in [Table 6-5](#) with their word number, byte address offset, and applicability for the three types of device boot modes.

Table 6-5: Boot Header Parameters

Header Address	32-bit Word	Parameter	Boot Device		
			Secure Usage	Non-Secure Usages	
			OCM	OCM	Execute In Place
0x000 - 0x01F	0 - 7	Interrupt Table for Execution-in-Place	no	no	yes
0x020	8	Width Detection	Quad-SPI	Quad-SPI	Quad-SPI
0x024	9	Image Identification	yes	yes	yes
0x028	10	Encryption Status	yes	yes	yes
0x02C	11	User Defined	~	~	~
0x030	12	Source Offset	yes	yes	~
0x034	13	Length of Image	yes	yes	set = 0
0x038	14	Reserved	~	~	~
0x03C	15	Start of Execution	yes	yes	yes
0x040	16	Total Image Length	note <sup>(1)</sup>	note <sup>(2)</sup>	set = 0
0x044	17	Reserved	~	~	~
0x048	18	Header Checksum	yes	yes	yes
0x04C - 0x09F	19 - 39	User Defined (84-Byte) <sup>(3)</sup>	~	~	~
0x0A0 - 0x89F	40 - 551	Register Initialization (2048-Byte) <sup>(4)</sup>	yes	yes	yes
0x8A0 - 0x8BF	552 - 559	Reserved (32-Byte)	~	~	~



Table 6-5: Boot Header Parameters (Cont'd)

Header Address	32-bit Word	Parameter	Boot Device		
			Secure Usage	Non-Secure Usages	
			OCM	OCM	Execute In Place
0x8C0	560 and up	FSBL/User Code	192 KB	192 KB	see <sup>(5)</sup>

**Notes:**

1. In secure mode, the Total Image Length parameter is greater than Length of Image parameter because of encryption.
2. In non-secure OCM mode, the Total Image Length parameter must be set equal to the Length of Image parameter.
3. The User Defined area can contain attributes for the FSBL/User code boot process.
4. The addresses that can be accessed by Register Initialization is restricted, see Table 6-7. The secure boot mode has more address restrictions than a non-secure boot.
5. The size of the FSBL/User code for Execute-in-place depends on the allowed capacity of the boot device less the 0x8C0 (the size of the Boot Header). The maximum Quad-SPI size is described in section 6.3.4 Quad-SPI Boot. For NOR, refer to section 6.3.6 NOR Boot.

**Interrupt Table for Execution-in-Place — 0x000 to 0x01C**

Eight 32-bit words are reserved for interrupt mapping. This is useful for execute-in-place for NOR and Quad-SPI devices. It allows the CPU vector table to be managed in two ways. The first is to use the MMU to remap the flash linear address space to 0x0. The second method to manage the vector table location is to use the coprocessor VBAR register. For more information on setting this register, refer to the *ARM v7-AR Architecture Reference Manual* (see Appendix A, Additional Resources).

**Width Detection — 0x020**

Width Detection is required for the Quad-SPI boot mode. Ensure that the Boot Header includes the value of 0xAA995566 so the BootROM can determine the maximum hardware I/O data connection width of the flash device(s). This value helps the BootROM to determine the data width of a single Quad-SPI device (x1, x2, or x4) and to detect a second device in 8-bit parallel I/O configuration. If this value is not present for the Quad-SPI boot mode then the BootROM lockdowns the system and generates an error code. The error code number depends on other conditions. The error codes are listed in Table 6-18, page 189. Details of the detection operation are explained in section 6.3.4 Quad-SPI Boot.

**Image Identification — 0x024**

This word has a mandatory value of 0x584C4E58, 'XLNX'. This value allows the BootROM (along with the header checksum field) to determine that a valid Boot Header is present. If the value is not matched, the BootROM performs a Boot Header search if the boot mode is either Quad-SPI, NAND, or NOR. If the boot mode is SD card, the BootROM lockdowns the system and generates an error code.

**Encryption Status — 0x028**

Encryption Status determines if the boot is secure (the boot image is encrypted) or non-secure mode. Valid values for this field are:

- 0xA5C3C5A3 Encrypted FSBL/User code (requires eFUSE key source).
- 0x3A5C3C5A Encrypted FSBL/User code (requires battery-backed RAM key source).
- Not 0xA5C3C5A3 or 0x3A5C3C5A. Non-encrypted FSBL/User code (no key).

The eFuse states and the encryption status word determines the source of the encryption key, if any. The valid combinations are shown in Table 6-6.

Table 6-6: BootROM Requirements for Encryption and eFuse States

Non-encrypted	No Key required	No Key required	Does Not Execute
Encrypted	BBRAM or eFuse Key	eFuse Key	eFuse Key
eFuse Secure Boot	Not blown	Not blown	Blown
BBRAM Key Disable	Not blown	Blown	x
Encryption Status	User choice.	User choice except not 0x3A5C3C5A	Must be 0xA5C3C5A3

### User Defined — 0x02C

This word is user defined and can be any value. The BootROM does not interpret or use this field.

### Source Offset — 0x030

This parameter contains the number of bytes from the beginning of the valid Boot Header to where the FSBL/User code image resides. This offset must be aligned to a 64-byte boundary and must be at or above address offset 0x8C0 from the beginning of the Boot Header.

### Length of Image — 0x034

This word contains the byte count of the load image to transfer to the OCM. For non-secure mode, the Length of Image equals the Total Image Length parameter and has a maximum value of 192 KB. For secure mode, the Length of Image is set equal to the length of the image after it has gone through the authentication and decryption process steps. In this case, the Length of Image is always less than 192 KB because of the encryption overhead.

A value of zero with a Quad-SPI or NOR flash mode causes the BootROM to execute the FSBL/User code from the associated flash device without copying the image to OCM (execute-in-place).

### Reserved — 0x038

This word is reserved and must be initialized to 0x0.

### Start of Execution — 0x03C

- This is a byte address that is relative to the start of system memory and is used for both executing the FSBL/User code from the OCM or using the optional execute-in-place feature of Quad-SPI and NOR boot modes. The byte address must be aligned to a 64-byte boundary. FSBL/User code executes from OCM:
  - Execution attempts outside of the OCM memory address space cause a secure lockdown.

- Non-secure mode: address must be equal to or greater than `0x0` and less than `0x30000`.
- Secure mode: the address must equal `0x0`.
- Execute-in-place FSBL/User code:
  - The address must point to a location within the first 16 MB of memory for x4 Quad-SPI and the first 32 MB of memory for NOR and dual x8 parallel Quad-SPI boot modes.

### Total Image Length — `0x040`

This is the total number of bytes loaded into the OCM by the BootROM from the flash memory.

For non-secure boot, the Total Image Length parameter must be set equal to the Length of Image parameter.

For secure images, the Total Image Length parameter includes the HMAC header, the encryption overhead and the alignment requirements and is always larger than the Length of Image parameter. The Total Image Length parameter is provided by the design tools.

### Reserved — `0x044`

This word is reserved and must be initialized to `0x0`.

### Header Checksum — `0x048`

This is the checksum value of the header which is checked prior to using the data within the header. The checksum is calculated by summing the words from `0x020` to `0x044` and inverting the result.

### User Defined — `0x04C` to `0x09C`

This memory area is unused and is available for FSBL or other code application. Refer to [UG821](#), *Zynq-7000 All Programmable SoC Software Developers Guide* for usages.

### Register Initialization Pairs — `0x0A0` to `0x89C`

This region contains 256 pairs of address and data words that can be used to initialize PS registers for the MIO multiplexer, boot device clocks, and other functions before the FSBL/User code is accessed from the boot device; either to copy the image to the OCM or to execute-in-place. The register writes are commonly used to optimize the boot device interface and set its clock frequency to maximize performance. These register writes are done toward the end of the BootROM execution.

A register initialization pair appears as two 32-bit words, first a register address, then a register write value. Register initializations can be in any order, and the same register can be initialized with different values as many times as desired. The register initialization is performed prior to copying the FSBL/User code so the user can modify the default reset register values to reduce the time to access the code and process it.

The BootROM stops processing the Register Initialization list when either the address register = `0xFFFF_FFFF` or the end of the list (256 address/write data pairs).

### Restricted Addresses

The register address space for the Register Initialization address-data writes is restricted. Register addresses outside of the allowed address range cause the BootROM to lockdown the system and generate error code 0x2111. The allowed register accesses depend on the boot mode and are listed in Table 6-7.

These restrictions are enforced by the BootROM. They do not apply when the FSBL/User code begins to execute. The BootROM screens the address/data write accesses and detects when certain addresses are being accessed.

Table 6-7: BootROM Accessible Address Ranges for Register Initialization

Control Registers	Non-Secure Boot Mode		Secure Boot Mode
	Ranges	Exceptions to Range <sup>(1)</sup>	
UART 1	E000_1000 to E000_1FFC	~	No
Quad-SPI	E000_D000 to E000_DFFC	~	No
SMC	E000_E000 to E000_EFFC	~	No
SDIO 0	E010_0004 to E010_0FFC	E010_0058	No
DDR Memory	F800_6000 to F800_6FFC	~	No
SLCR	F800_0100 to F800_0234 F800_024C F800_0304 to F800_0834 F800_0A00 to F800_0A8C F800_0AB0 to F800_0B74	F800_01B0, F800_0200 ~ ~ ~ ~	F800_0100 to F800_01AC
UART 0, USB, I2C, SPI, CAN, GPIO, GigE, TTC, DMAC, SWDT, DDR, DevC, AXI HP	Not accessible		Not accessible

**Notes:**

1. The registers in this column are not accessible by the Register Initialization pairs.

**Reserved** — 0x8A0 - 0x8BF

This header parameter space is reserved for future use. We recommend setting this range to 0x0.

**FSBL Image Start Address** — 0x8C0

The FSBL/User code software image must start at or above this location. The location is pointed to by the Source Offset parameter and must be aligned to 64 bytes.

### 6.3.3 BootROM Performance

The BootROM performance is an important factor to the total bring-up time of the system: BootROM execution, FSBL/User code execution, U-boot time, and OS loading time. The BootROM time is measured from when the system powers-up to when the BootROM branches to the FSBL/User code:

1. PS Power-up time
2. PS PLL clock lock time (TPSPLLLOCK)
3. CRC check of BootROM code (if enabled).
4. PL ready time (TPOR). PL ready time includes:
  - Voltage ramp-up time when the device is powered on.
  - PL Clearing – Time dependent on the size of the device.
5. BootROM Register Initialization writes.
6. BootROM copies FSBL/User code to OCM.
7. RSA authentication, if enabled by eFuse.
8. AES/SHA decryption/authentication (secure boot).

## PS PLL Clock Lock Time

The PLL is enabled by a pin strap. If the PLL is in bypass mode and then enabled by PS software, it takes no more than 60  $\mu$ s for the PLL to be ready for use. The programming of the PLLs are described in section [25.10.4 PLLs](#).

The length of the PLL lock time varies, but it is relatively small compared to the other boot stages.

## PL Considerations

The start-up time of the BootROM is extended by the PL power-on sequence. PL power is required for JTAG access and secure boot modes. The PL power is not required for a normal flash device boot mode that is non-secure and does not use JTAG.

When the PL power is required, the BootROM checks to determine if the PL is powered on before accessing modules in the PL. If the PL is powered-up, then it checks to see if the PL clearing process completed. It waits up to 90 seconds (PS\_CLK = 60 MHz) for the process to be done. If the PL is not cleared by this time, then the BootROM locks down the system and generate an error code. After the PL is cleared, the BootROM initializes the PL so it is ready for the bitstream that is loaded by the FSBL/User code.

## PL Clearing Time Optimization

The PL clearing time can be sped up after a non-POR reset by setting the devcfg.CTRL [PCFG\_POR\_CNT\_4K] bit = 1. This clocking POR\_OVERRIDE function raises the clock frequency for the initialization hardware logic. This feature can only be used when the clearing of the PL is initiated after FSBL/User code has run to set the [PCFG\_POR\_CNT\_4K] bit.

This optimization is not available when the BootROM runs after a POR reset.

## Register Initialization to Optimize Boot Times

The clocking and I/O configuration can be modified before the FSBL/User code is accessed by using the Register Initialization parameters in the Boot Header. These settings can be matched to the

specific device used and the board layout. Register Initialization takes a negligible amount of time, but can have a drastic effect on performance while copying the FSBL/User code to OCM or routing it to the decryption engine in the PL.

There are optimization examples for each boot device.

- Quad-SPI, [Table 6-10](#)
- NAND, [Table 6-12](#)
- NOR, [Table 6-14](#)
- SD Card, [Table 6-16](#)

## CRC Check for BootROM Code Option

After the power-on and hardware sequences are completed, the BootROM begins to execute.

If the OCM ROM 128 KB CRC Enable eFuse is set, then the BootROM perform a CRC on its own code space at the beginning of the BootROM execution. Enabling the CRC check adds about 26 ms to the BootROM time. Because CRC check is done before the Register Initialization words are processed, this time cannot be improved by the Register Initialization mechanism.

## PL Power-on Reset Time (TPOR)

TPOR is the PL voltage ramp time and it is important to the boot time when PL power is required for the boot process and it is not already powered-up. PL power is needed in the situations listed in [Table 6-1, page 160](#).

In a normal cold power-up, the PS and PL power supplies come up together so there can be some overlap of activities.

If the PL is already powered on when the BootROM needs it, then TPOR is not a factor. Refer to the appropriate data sheet, DS187 or DS191 for times. The power-on timing is also discussed in Xilinx Answer AR 55572.

In a non-secure boot, when both the PS and the PL are powered on, the BootROM does not wait for the TPOR time. The BootROM loads the FSBL/User code into the OCM, and the FSBL starts configuring the PS. Before the PL bitstream is loaded, you might have to wait up to 50 ms for the PL to be ready after it is powered on. To ensure the PL is ready, the user code can check for the devcfg.STATUS [PCFG\_INIT] bit before programming the bitstream. For details, see section [6.4.3 PL Configuration](#).

In secure boot mode, the AES/SHA engine in the PL is used for decryption and authentication of the FSBL. If the board is being powered up for the first time, the BootROM waits for the PL to be ready, which includes the TPOR for the PL. If the board was already powered up and only the device is being reset, then because the PL was already powered on and voltage ramp has already taken place, the TPOR parameter is not a factor in the PL bring-up time. In this case, you only have to wait for the PL initialization time, which is device dependent.

## AES/SHA Decryption and Authentication

The boot time also depends on the AES/SHA decryption and authentication. However, this is applicable only for secure mode where encryption is enabled. In this case, the greatest impact on the boot time is the time it takes for the PL to be ready.

## RSA Authentication Time

The BootROM can authenticate a secure or non-secure FSBL prior to execution using the RSA public key authentication. This feature is enabled by triggering the RSA Authentication Enable fuse in the eFuse array.

The RSA authentication time takes about 56 ms for a 128 KB FSBL, a 33.33 MHz PS\_CLK, and default register settings (that is, a CPU divider value of 4); the CPU runs at 215 MHz. The CPU divider value can be changed to divide by 2 by the Register Initialization parameters. This cuts the time in half (28 ms) because the CPU runs at 433 MHz.

## BootROM and Image Copy Time

The image copy time and execute time vary greatly depending on the configuration of the boot interface. [Table 6-8](#) lists the BootROM times for the primary boot modes for default register values and optimized values using the Register Initialization feature in the Boot Header. These values are based on a 33.33 MHz PS\_CLK clock and are for a 128 KB FSBL image.

*Table 6-8: BootROM Times for the Primary Boot Modes*

Boot Mode	Non-Secure Default (ms)	Non-Secure Reg-Init (ms)	Secure Default (ms)	Secure Reg Init (ms)
Quad-SPI	98.4	16	100	24
Quad-SPI (8-bit)	72	12	74	20
NAND x8	114	52	120	60
NAND x16	92	50	92	56
NOR	72	12	72	22
SD card	216	196	216	204

The boot times in [Table 6-8](#) include the time from the deassertion of the PS\_POR\_B signal until the BootROM branches to the FSBL image copied into the OCM. This includes PLL lock time, BootROM execution time, PL initialization time, and the time to copy the FSBL to the OCM. For secure boot, it also includes the time to decrypt and authenticate the FSBL through the AES/SHA block. The PL TPOR, RSA authentication time, or the time for the 128 KB CRC check on the BootROM is not included. The PL TPOR time includes power-up and internal hardware sequencing.

The overall boot time, which includes loading Linux or loading the PL bitstream, depends on many factors, including:

- The bandwidth of the flash interface. This is based on the memory vendor specifications and board parameters.
- The Zynq-7000 device version (affects the bitstream size).
- The size of the loaded images (for example, Linux image, application code, etc.)

## 6.3.4 Quad-SPI Boot

Quad-SPI boot has these features:

- x1, x2, and x4 single device configuration.
- Dual SS, 8-bit parallel I/O device configuration.
- Dual SS, 4-bit stacked I/O configuration.
- Execute-in-place option.



---

**RECOMMENDED:** For details on the specific devices that Xilinx recommends for each boot interface, refer to Xilinx Answer AR 50991.

---

**Note:** The dual SS, 4-bit stacked I/O device configuration is supported, but the BootROM only searches within the first 16 MB address range. The BootROM accesses the device connected to the QSPI0\_SS\_B slave select signal.

### I/O Configuration Detection

The BootROM can detect the intended I/O width of the Quad-SPI interface using the Width Detection (0xAA995566) parameter value and, in the 8-bit parallel case, also using the Image Identification (0x584C4E58) parameter value.

#### 4-bit I/O Detection

During the Quad-SPI boot process, the BootROM configures the controller with 4-bit I/O. This configuration includes a single device and the dual 4-bit stacked case. The BootROM reads the first (and, perhaps, only) Quad-SPI device in x1 mode. It reads the Width Detection parameter in the Boot Header. If the Width Detection parameter is equal to 0xAA995566, then the BootROM assumes it found a valid header that is requesting a 4-bit I/O configuration. It might be one device or it might be a dual 4-bit stacked configuration. In the latter case, the second device is always ignored by the BootROM, but it might be accessed by user code. After reading the Width Detection parameter in x1 mode, the BootROM attempts to read the parameter in x4 mode. If x4 mode fails, it tries x2 mode. After this, the BootROM uses the widest supported I/O bus width to access the Quad-SPI device.

#### 8-bit I/O Detection

The BootROM also looks for the dual device, 8-bit parallel configuration. In this case, the BootROM only reads the even bits of the Boot Header because it is only accessing the first device and the header is split across both devices. The BootROM forms a 32-bit word that includes the even bits of the Width Detection (0x20) and Image Identification (0x24) parameter values. When the BootROM detects this condition, it assumes the system uses the 8-bit parallel configuration and programs the controller for the x8 operating mode. This mode is used for the rest of the boot process. The Quad-SPI I/O configurations are shown in [12.5.1 Wiring Connections](#).

#### Boot Header Search

If the BootROM does not detect a valid header, then the BootROM searches until one is found or the 32 MB search limit is reached. In the 4-bit stacked I/O case, only the first Quad-SPI device is searched



and the search is limited to the first 16 MB of memory. The Boot Header search is described in section 6.3.9 [Boot Header Search](#).

## MIO Programming

The values loaded in to MIO\_PIN registers during the Quad-SPI boot mode process are shown in [Table 6-9](#). Initially, the BootROM enables 4-bit mode. If the width detection mechanism determines an 8-bit data width, then additional MIO pins are enabled as shown in the table.

Table 6-9: Quad-SPI Boot MIO Register Settings

Quad-SPI I/O Interface Signal Name	MIO Pin Number	MIO_PIN Register Setting <sup>(1)</sup>	Pin State		
			I/O	I/O Buffer Output, Pull-up	External Connection
<b>Quad-SPI Boot</b>					
QSPI_CS0	MIO 1	0x0602	O	Enabled	~
QSPI_IO[0:3]	MIO 2 to 5	0x0602	I/O	Enabled	Pull up/down
QSPI_SCLK0	MIO 6	0x0602	O	Enabled	Pull up/down
not Quad-SPI	MIO 7	reset value	I	3-state	Pull up/down
QSPI_SCLK_FB_OUT (not used for boot)	MIO 8	reset value	I	3-state	Pull up/down
not Quad-SPI	MIO 14 to 53	reset value	I	3-state	~
<b>4-bit Quad-SPI Boot</b>					
QSPI_CS1	MIO 0	reset value	I	3-state	~
QSPI_SCLK1	MIO 9	reset value	I	3-state	~
QSPI_IO[4:7]	MIO 10 to 13	reset value	I	3-state	~
<b>8-bit Quad-SPI Boot</b>					
QSPI_CS1	MIO 0	0x0602	O	Enabled	~
QSPI_SCLK1	MIO 9	0x0602	O	Enabled	~
QSPI_IO[4:7]	MIO 10 to 13	0x1602	I/O	Enabled, Pull-up	~

**Notes:**

1. These register settings are for LVCMOS25/33. Change the 6 to a 2 for LVCMOS18. The reset value is 0x1601 for all of the MIO pins except MIO pins 2 thru 8 = 0x0601.

## Execute-in-Place Option

For the execute-in-place option, the BootROM uses the linear addressing feature of the Quad-SPI controller for non-secure boot modes. In this case, the initial FSBL/User code must fit inside the first 16 MB of memory for a single device and 32 MB of memory for a x8 dual Quad-SPI device system.

## Configuration Register Settings

The BootROM sets qspi.LQSPI\_CFG to use these settings:

- CLK\_POL: 0, CLK\_PH: 0
- BAUD\_RATE\_DIV: 1 (by 4)

- INST\_CODE is set as:
  - x1 mode = 0x03, x2 mode = 0x3B, x4 mode = 0x6B
- DUMMY\_BYTE is set as:
  - x1 mode = 0, x2 and x4 mode = 1
- SEP\_BUS and TWO\_MEM are set if a dual x4 configuration is used

### Boot Time Optimizations

The Quad-SPI boot process can be sped up by modifying the operating mode before the process to read the flash data into OCM begins. You program the Boot Header Register Initialization parameters to improve boot times or select modes. The Register Initialization parameters are explained at the end of section 6.3.2 [Boot Header](#).

The optimized values for the registers in the following examples are obtained from vendor data sheets. The following examples show the settings for the Quad-SPI interface. These are examples; they might not be optimized for a specific flash device or board design.

The optimizations for the MIO multiplexer, clock controls and other configurations are shown in [Table 6-10](#). If the width or security combination is not listed for a register, then the post BootROM value is used.

Table 6-10: Quad-SPI Boot Time Optimization Register Setting Examples

Register	Width	Security	Value	Description
slcr.ARM_CLK_CTRL	both	both	0x1F000200	CPU divisor = 2 (433 MHz)
slcr.MIO_PIN_08	both	Non-secure	0x00000602	Feedback clock, 3.3 V
slcr.LQSPI_CLK_CTRL	both	Non-secure	0x00000521	Quad-SPI controller divisor = 5 (173 MHz)
	both	Secure	0x00000621	Quad-SPI controller divisor = 6 (144 MHz)
qspi.Config_reg	both	Non-secure	0x800238C1	Baud rate divide-by-2 (86 MHz)
qspi.LPBK_DLY_ADJ	both	Non-secure	0x00000020	Loopback, 0 delay
qspi.LQSPI_CFG	Single	Non-secure	0x82FF04EB	QIOREAD mode, Numonyx/Micron
	Single	Non-secure		QIOREAD mode, Winbond/Spansion
	Dual	Non-secure	0xE2FF06EB	QIOREAD mode, Numonyx/Micron
	Dual	Non-secure	0xE2FF02EB	QIOREAD mode, Winbond/Spansion

### 6.3.5 NAND Boot

NAND boot has these features:

- 8-bit or 16-bit NAND flash devices
- Supports ONFI 1.0 device protocol
- Bad block support
- 1-bit hardware ECC support

The boot image must be located within the first 4 GB address space of the NAND flash device.

**Note:** The BootROM reads the ONFI compliant parameter information in 8-bit mode to determine the device width. If the device is 16 bits wide, then the BootROM enables the upper eight I/O signals for a 16-bit data bus. The 16-bit NAND interface is not available in the 7z010 CLG225 device.



**RECOMMENDED:** For details on the specific devices that Xilinx recommends for each boot interface, refer to Xilinx Answer AR 50991.

The MIO pin programming for 8- and 16-bit boot modes are listed in [Table 6-11](#).

Table 6-11: NAND Boot MIO Register Settings

NAND Flash I/O Interface Signal Name (SMC controller)	MIO Pin Number	MIO_PIN Register Setting <sup>(1)</sup>	Pin State		
			I/O	I/O Buffer Output, Pull-up	External Connection
<b>NAND Boot</b>					
NAND_CE_B	MIO 0	0x0610	I/O	Enabled	
non NAND	MIO 1	Reset value	I	3-state	~
NAND_ALE	MIO 2	0x0610	O	Enabled	Pull-up/down
NAND_WE_B	MIO 3	0x0610	O	Enabled	Pull-up/down
NAND_IO[2]	MIO 4	0x0610	I/O	Enabled	Pull-up/down
NAND_IO[0]	MIO 5	0x0610	I/O	Enabled	Pull-up/down
NAND_IO[1]	MIO 6	0x0610	I/O	Enabled	Pull-up/down
NAND_CLE	MIO 7	0x0610	O	Enabled	Pull-up/down
NAND_RE_B	MIO 8	0x0610	O	Enabled	Pull-up/down
NAND_IO[4:7]	MIO 9 to 12	0x1610	I/O	Enabled, pull-up	~
NAND_IO[3]	MIO 13	0x1610	I/O	Enabled, pull-up	~
NAND_BUSY	MIO 14	0x0610	I	3-state	~
not NAND	MIO 15	Reset value	I	3-state	~
not NAND	MIO 24 to 53	Reset value	I	3-state	~
<b>8-bit NAND Boot</b>					
non 8-bit NAND	MIO 16 to 23	Reset value	I	3-state	~
<b>16-NAND Boot</b>					

Table 6-11: NAND Boot MIO Register Settings (Cont'd)

NAND Flash I/O Interface Signal Name (SMC controller)	MIO Pin Number	MIO_PIN Register Setting <sup>(1)</sup>	Pin State		
			I/O	I/O Buffer Output, Pull-up	External Connection
NAND_IO[8:15]	MIO 16 to 23	0x1610	I/O	Enabled, pull-up	~

**Notes:**

1. These register settings are for LVCMOS25/33. Change the 6 to a 2 for LVCMOS18. The reset value is 0x1601 for all of the MIO pins except MIO pins 2 thru 8 = 0x0601.

## Boot Time Optimizations

To improve NAND boot time, raise the clock rates, and optimize the I/O protocol by setting the registers listed in Table 6-12. The example values might not be appropriate or optimal for all NAND devices or board layouts.

Table 6-12: NAND Boot Time Optimization Register Setting Example

Register	Width	Security	Value	Description
slcr.ARM_CLK_CTRL	Both	Both	0x1F000200	CPU divisor = 2 (433 MHz)
slcr.SMC_CLK_CTRL	Both	Both	0x00000921	Baud rate divisor = 9 (96 MHz, 10.4ns)
smc.set_cycles	Both	Non-secure	0x00225133	2,1,1,2,1,3,3
smc.set_opmode	8-bit	Non-secure	0x00000000	8-bit width
	16-bit	Non-secure	0x00000001	16-bit width
smc.direct_cmd	both	Non-secure	0x02400000	Select ModeReg and UpdateRegs

## BootROM Operations

The BootROM responds to three flash device situations.

- Bad Blocks: Read and write data reliably.
- ECC: Recover from bit disturbances.
- Partition Memory: dividing flash memory into logical sections (partitions) with consideration for bad blocks.

## Bad Block Management

The BootROM manages bad blocks in the following way:

- It looks for a bad block table (BBT) in the last four blocks of the NAND flash device.
- It supports a primary and secondary BBT with versioning allowing safe software updates.
- If a BBT is not present, the BootROM scans the flash reading the Out-Of-Band (OOB) information to determine the locations of bad blocks.
- The BootROM only performs read operations – it does not write to the flash.

While reading from NAND, the BootROM skips blocks that are marked as bad in the BBT, or in the OOB information if a BBT does not exist.

For example: consider a flash device has bad blocks located at block 1 and 3 (see Figure 6-6):

- When programming the image into the flash device, blocks 1 and 3 must be skipped.
- When reading, the BootROM reads the full user data from the good blocks as they are encountered.

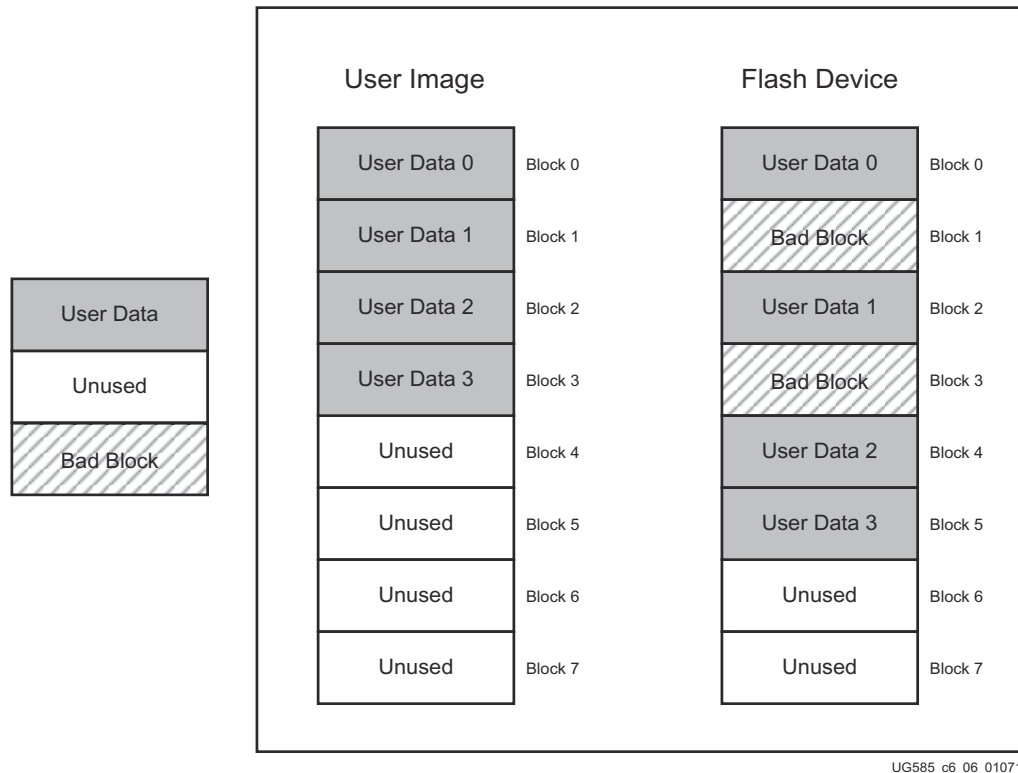


Figure 6-6: NAND Flash Device with Bad Blocks Example

## ECC Management

The NAND controller can manage 1 bit of ECC in hardware. For more details on the ECC capabilities of the controller, see Chapter 11, Static Memory Controller. The BootROM is aware of on-die ECC devices and disables the controller’s ECC checking, allowing the NAND device to take care of ECC.

## Memory Partitions

The BootROM treats NAND flash as one continuous partition. From a user perspective, this only affects the Multiboot register. The Multiboot register value written is offset by the number of bad blocks leading up to the target address. Consider the following example:

- Image with two multiboot sections
- Image is 1 MB in size
- Block size is 128 KB
- Second multiboot section starts at 512 KB

- Bad blocks are located at 128 KB and 256 KB offsets

In this scenario, the image should be programmed as one partition, which results in the second multiboot section being offset by 256 KB total (two blocks worth). When the Multiboot register is written, it can be set to 512 KB offset and the BootROM takes care of calculating the new start address based on where the bad blocks reside.

### I/O Signal Timing

The BootROM uses the following NAND timing values in the smc.SET\_CYCLES register:

- $t_{rr} = 2, t_{ar} = 2, t_{clr} = 1, t_{wp} = 3, t_{rea} = 2, t_{wc} = 5, t_{rc} = 5$

## 6.3.6 NOR Boot

NOR boot has these features:

- x8 Asynchronous flash devices
- Densities up to 256 Mb
- Execute-in-place option

The BootROM does not try to perform any configuration detection of NOR flash devices. When NOR is the selected boot device, the BootROM programs the MIO pins as shown in [Table 6-13](#).

**Note:** The NOR interface is not available in the 7z010 CLG225 device.

Table 6-13: NOR Boot MIO Register Settings

NOR Flash I/O Interface Signal Name (SMC controller)	MIO Pin Number	MIO_PIN Register Setting <sup>(1)</sup>	Pin State		
			I/O	I/O Buffer Output, Pull-up	External Connection
SRAM_CE_B[0]	MIO 0	0x0608	O	Enabled	~
not used for NOR boot	MIO 1	reset value	I	3-state	~
not NOR/SRAM	MIO 2	reset value	I	3-state	Pull-up/down
SRAM_DQ[0:3]	MIO 3 to 6	0x0608	I/O	Enabled	Pull-up/down
SRAM_OE_B	MIO 7	0x0608	O	Enabled	Pull-up/down
SRAM_BLS_B	MIO 8	0x0640	O	Enabled	Pull-up/down
SRAM_DQ[6:7]	MIO 9 to 10	0x1608	I/O	Enabled, pull-up	~
SRAM_DQ4	MIO 11	0x1608	I/O	Enabled, pull-up	~
not NOR/SRAM	MIO 12	0x0608	I	3-state	~
SRAM_DQ5	MIO 13	0x1608	I/O	Enabled, pull-up	~
not NOR/SRAM	MIO 14	reset value	I	3-state	~
SRAM_A[0:24]	MIO 15 to 39	0x0608	O	Enabled	~
not NOR/SRAM	MIO 40 to 53	reset value	I	3-state	~

**Notes:**

1. These register settings are for LVCMOS25/33. Change the 6 to a 2 for LVCMOS18. The reset value is 0x1601 for all of the MIO pins except MIO pins 2 thru 8 = 0x0601.

The BootROM uses the following NOR timing values in the smc.SET\_CYCLES register:

- $t_{rc} = 7, t_{wc} = 7, t_{ceoe} = 2, r_{wp} = 5, t_{pc} = 2, t_{tr} = 1, we\_time = 0$

## Boot Time Optimizations

To improve NOR boot time, raise the clock rates, and optimize the I/O protocol by setting the registers listed in [Table 6-14](#). The example values might not be appropriate or optimal for all NOR devices or board layouts.

Table 6-14: NOR Boot Time Optimization Register Setting Example

Register	Security	Value	Description
slcr.ARM_CLK_CTRL	both	0x1F000200	CPU divisor = 2 (433 MHz)
slcr.SMC_CLK_CTRL	both	0x00000D21	Baud rate divisor = 13 (66 MHz, 15 ns)
smc.set_cycles	Non-secure	0x0002AA77	2,1,1,2,1,3,3
smc.set_opmode	Non-secure	0x00000110	32-beat bursts, 8-bit width
smc.direct_cmd	Non-secure	0x00400000	Select UpdateRegs

## 6.3.7 SD Card Boot

SD card boot supports these features:

- Boot from standard SD or SDHC cards
- FAT 16/32 file system
- Up to 32 GB card densities

**Note:** The SD card boot mode is not supported in the 7z010 CLG225 device.

**Note:** The SD card boot mode does not support header search or multiboot.

### BootROM Steps

The BootROM performs these steps in SD card boot mode:

1. Initializes the MIO pins listed in [Table 6-15](#).
2. Configures SDIO\_CLK\_CTRL to a divisor of 32 and SD\_CLK\_CTL\_R with a value of 1 (divide by 2).
3. Sets the SD controller to operate in 4-bit mode and use 3-byte addressing.
4. Tests the interface.
5. Reads BOOT.BIN from the root of the SD file system and copies it into OCM after parsing the required Boot Header.
6. BootROM transfer CPU execution to code downloaded into the OCM.

Table 6-15: BootROM SD Card Boot MIO Register Settings

SDIO I/O Interface Signal Name	MIO Pin Number	MIO_PIN Register Setting <sup>(1)</sup>	Pin State		
			I/O	I/O Buffer Output, Pull-up	External Connection
not SD Card boot	MIO 0, 1	reset value	I	3-state	~
not SD Card boot	MIO 2 to 8	reset value	I	3-state	Pull-up/down
not SD Card boot	MIO 9 to 39	reset value	I	3-state	~
SDIO_0_CLK	MIO 40	0x0680	O	Enabled	~
SDIO_0_CMD	MIO 41	0x0680	O	Enabled	~
SDIO_0_DATA[0:3]	MIO 42:45	0x1680	I/O	Enabled, Pull-up	~

**Notes:**

1. These register settings are for LVCMOS25/33. Change the 6 to a 2 for LVCMOS18. The reset value is 0x1601 for all of the MIO pins except MIO pins 2 thru 8 = 0x0601.

**Note:** Production devices do not test the Card Detection status. For pre-production devices, refer to Xilinx Answer AR 52016.

## File Partitions

For the BootROM to read the BOOT.BIN file, the SD card must be partitioned so that the first partition is a FAT 16/32 file system. Additional non-FAT partitions are permitted, but the BootROM does not read the other partitions.

## Boot Page Access

When the SD card is reset, it defaults to providing access to the boot page. The BootROM assumes that the boot page is accessible when it executes. If user code changes to a different page and a Zynq system reset occurs without resetting the SD card, then the BootROM will not be able to read the Boot Header from the boot page of the SD card.

## Boot Header Search and Multiboot

In SD card boot mode, the BootROM does not perform a header search and does not support multiboot.

## Boot Time Optimizations

To improve the boot time of SD card, set the CPU clock divider to 2 instead of 4.

Table 6-16: SD Card Boot Time Optimization Register Setting Example

Register	Security	Value	Description
slcr.ARM_CLK_CTRL	both	0x1F000200	CPU divisor = 2 (433 MHz)



## 6.3.8 MIO Pin Register Values after a Reset, Lockdown, and JTAG

System Lockdown, JTAG, and System Reset MIO Register pin settings are listed in [Table 6-17](#).

Table 6-17: MIO Pin States for Resets, Lockdown, and JTAG

MIO Pin	MIO_PIN Register Setting			Pin State			
	Reset Value <sup>(1)</sup>	Lockdown Value	JTAG Boot Value	I/O	IO_TYPE	I/O Buffer (GPIOB)	External Connection
MIO pin [0:1]	0x1601	reset value	reset value	I	3.3	3-state, Pull up	~
MIO pin [2:6]	0x0601	reset value	reset value	I	3.3	3-state	Pull-up/down
MIO pin [7:8]	0x0601	reset value	reset value	O	3.3	3-state	Pull-up/down
MIO pin [9:53]	0x1601	reset value	reset value	I	3.3	3-state, Pull-up	~

### Notes:

1. These reset values are for LVCMOS 25/33. For LVCMOS18, use: 0x1201 and 0x0201 (bits 11:9 change from 011 to 001).

## 6.3.9 Boot Header Search

The BootROM reads the Boot Header and performs two checks to verify that the header is valid. It looks to see that the Image Identification parameter contains 0x584C4E58 and that the Header Checksum parameter matches the checksum calculated by the BootROM. If either of these tests fail, then the boot header address is incremented by 32 KB and the tests are repeated. The header search is part of the BootROM flow and occurs after a POR or non-POR reset. The header search is not supported in SD card boot; a valid Boot Header is assumed to be in the boot page of the SD card.

The header search function is shown in [Figure 6-7](#). Normally the device boots from the first header but in the event the BootROM detects an issue with the checksum or Image Identification parameter, it looks for the next Boot Header. The BootROM continues to search until it finds a valid header or reaches the end of the search window.

- BootROM looks for Image Identification parameter, "XLNX" at 0x024.
- Header checksum calculated by the BootROM matches Header Checksum parameter, 0x048.

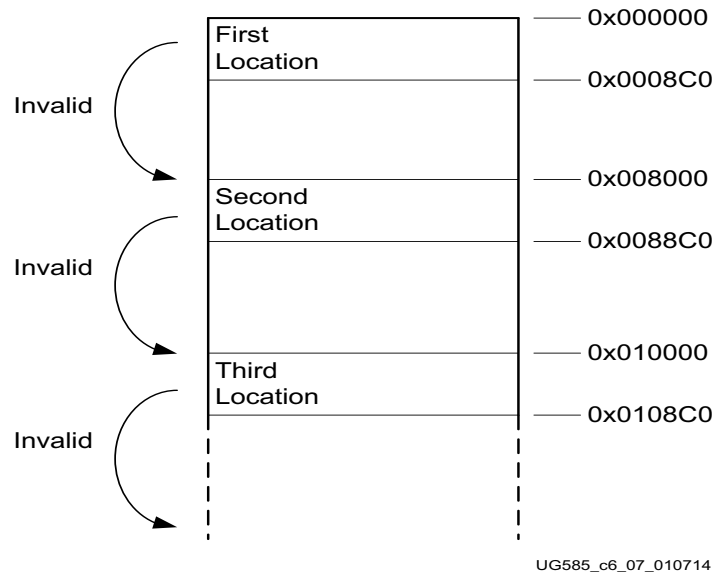


Figure 6-7: Boot Header Search

The Boot Header search mechanism protects against:

- An update that was started on the first image but the system was interrupted after erasing the section requiring an update.
- The write operation began but the write process did not finish.

The Boot Header search mechanism does not protect against:

- The memory holding the Boot Header became corrupt.
- A complete header was written but it did not pass the tests. If a header is non-functional, this might lead to a system lockdown.

The Boot Header search does not verify the integrity of the header beyond what is listed above. If the header indicates an invalid operation or includes instructions that contradict each other, then the BootROM might generate a system lockdown. The lockdown error codes are listed in section [6.3.11 BootROM Error Codes](#).

## Boot Header Search Stepping and Range

The BootROM searches on 32-KB boundaries until a valid header is detected or the end of the range is encountered. The header search is done for all boot devices except SD card. The search occurs after a POR or non-POR reset including after a Multiboot operation.

The BootROM searches within a limited address space on the boot device:

- NAND: first 128 MB
- NOR: first 32 MB
- Quad-SPI, signal/dual SS with 4-bit I/O: first 16 MB
- Quad-SPI, dual SS with 8-bit Parallel I/O: first 32 MB
- SD card: single image in boot page, no searching

### 6.3.10 MultiBoot

Multiboot is a feature that allows the FSBL or User code to select the Boot Header from multiple images on the boot device. To select an image, the FSBL/User code writes the base memory address location of the Boot Header into the devcfg.MULTIBOOT\_ADDR register and then generates a non-POR system reset. The BootROM tries to fetch the Boot Header located at that address. If the BootROM determines that the header is not valid, it performs a boot header search by incrementing the MULTIBOOT\_ADDR register until a valid header is found or the end of the range is detected.

Multiboot is shown in Figure 6-8 along with the Boot Header search function.

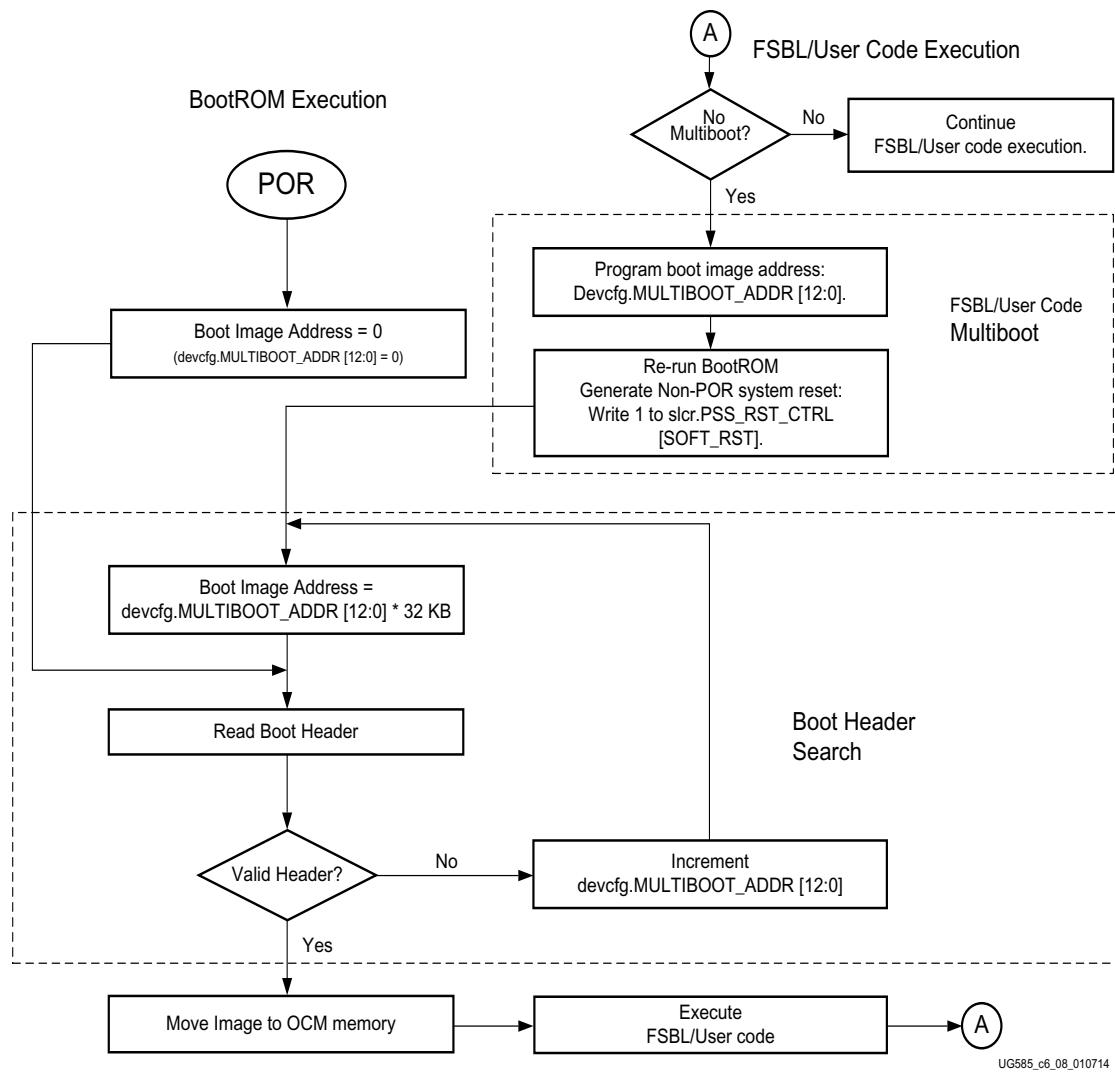


Figure 6-8: Boot Header Search and FSBL/User Code Multiboot Flowchart

## Multiboot Programming Steps

1. Determine the physical byte address. The address must be aligned to 32 KB.
2. Divide the physical memory address by 32 KB (shift out the 13 LSBs). Write the upper address bits into the devcfg.MULTIBOOT\_ADDR [12:0] bit field.
3. Perform a software system reset by writing to the slcr.PSS\_RST\_CTRL [SOFT\_RST] register bit.

When the BootROM executes after the non-POR reset, it looks for the Boot Header pointed to by the devcfg.MULTIBOOT\_ADDR register.

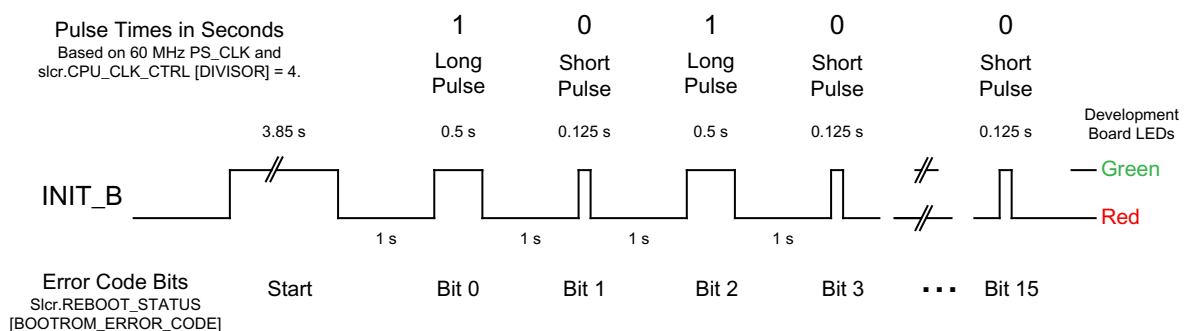
### 6.3.11 BootROM Error Codes

The BootROM can detect an error while processing the Boot Header or while processing the FSBL/User code for decryption and authentication. When a boot failure occurs, the BootROM puts the device into either a secure or non-secure lockdown; an Error Code is normally generated. The BootROM flowchart with error conditions is shown in Figure 6-5. The error codes are listed in Table 6-18.

The error code is visible by observing a bit pulse train on the INIT\_B pin (secure lockdown) or by reading the slcr.REBOOT\_STATUS [BOOTROM\_ERROR\_CODE] bit field (non-secure lockdown).

1. INIT\_B pin observations:
  - In secure mode INIT\_B pulses the 16-bit error code.
  - In non-secure mode INIT\_B drives Low, indicating a failure. JTAG is enabled.
2. JTAG access to error code register read:
  - When JTAG is enabled, the DAP controller can be used to read the error code in the slcr.REBOOT\_STATUS [BOOTROM\_ERROR\_CODE] register field.

The INIT\_B pulses are meant to be visually read with an LED on the INIT\_B pin. The pulses are active-High. A long Low pulse on the pin indicates a 1 and a short pulse indicates a 0. The bit order is LSB to MSB. The pulse train is repeated three times.



UG585\_c6\_09\_010714

Figure 6-9: Error Code INIT\_B Bit Waveform Example

Non-secure boot failures result in the BootROM disabling access to the AES engine, clearing the PL, and enabling JTAG. The slcr.REBOOT\_STATUS register can be read to determine the source of the boot failure.

## Error Code Numbers

The error codes in [Table 6-18](#) describe the functionality of production devices. For pre-production devices, the error code numbers and the reporting scheme are described in Xilinx Answer AR 55082.

Other error code numbers might be generated by the BootROM, but are unlikely. If an error code occurs that is not listed in [Table 6-18](#) for production parts or in Xilinx Answer AR 55082 for pre-production parts, then contact Xilinx.

## Lockdown Types

The Lockdown Type column includes information based on the type of reset that started the BootROM execution.

- POR reset (P)
- Non-POR reset (NP)

The type of lockdown indicated in [Table 6-18](#) includes the following notations:

- **Non-secure:** A non-secure lockdown occurs (system can be accessed by JTAG).
- **Header:** The lockdown type is defined by the Encryption Status parameter in the header.
- **Secure:** Always a secure lockdown (the system becomes inaccessible).
- **Previous:** Applies only after a non-POR reset. If the previous boot mode was secure, then this subsequent lockdown is secure. If the previous boot was non-secure, then this subsequent lockdown is non-secure.

Table 6-18: BootROM Error Codes

Error Code	Lockdown Type <sup>(1)</sup>	Description	Solution
0x0002	P: Non-secure NP: Non-secure	The system successfully booted in JTAG mode.	<ul style="list-style-type: none"> <li>• Use the JTAG interface to the DAP and TAP controllers.</li> </ul>
0x2000	P: Non-secure NP: Previous	Quad-SPI boot mode. The BootROM detected a x8 parallel device configuration using x1 mode, but then failed to read the expected header parameters using x8 mode. The BootROM continues with header search using x8 mode, but it was unable to find the Width Detection word using header search within the image search range.	<ul style="list-style-type: none"> <li>• Check that the Quad-SPI device is properly connected to the QSPI MIO pins.</li> <li>• Be sure that the Width Detection word is set equal to the data pattern 0xAA995566 and that the Image Identification word has 0x584C4E58, 'XLNX'</li> </ul>
0x2001	P: Non-secure NP: Previous	NAND boot mode. The BootROM could not determine the ECC mode for the device.	<ul style="list-style-type: none"> <li>• Check that the NAND device is on the vendor approved list, refer to (Xilinx Answer 50991).</li> </ul>

Table 6-18: BootROM Error Codes (Cont'd)

Error Code	Lockdown Type <sup>(1)</sup>	Description	Solution
0x200A	P: Non-secure NP: Previous	SD card boot mode. The BootROM could not find the boot image at the root of the SD card; only a single boot image is supported for this boot mode. If the SD card was accessed by the FSBL/User code and then a system reset occurs without resetting the SD card, then the SD card might be left in 4-byte addressing mode.	<ul style="list-style-type: none"> <li>Check that there is a valid Boot Header in the root directory of the SD card named BOOT.BIN.</li> <li>Make sure the SD interface is operating reliably; for example using XMD or other debug tool to access it.</li> <li>Make sure the SD card is in 3-byte addressing mode.</li> <li>Check the mode pin settings.</li> </ul>
0x200B	P: Non-secure NP: Previous	NOR boot mode. The BootROM could not find a valid boot image in the NOR device after searching.	<ul style="list-style-type: none"> <li>Check that there is a valid Boot Header within the search range, refer to the Boot Header Search and Multiboot sections.</li> </ul>
0x200C	P: Non-secure NP: Previous	Quad-SPI boot mode. The BootROM is unable to find a valid header within the image search range.	<ul style="list-style-type: none"> <li>Check that there is a valid image written within the boot partition address search space for the device, refer to the Boot Header Search and Multiboot sections.</li> </ul>
0x200D	P: Non-secure NP: Previous	NAND boot mode. The BootROM is unable to find a valid header within the image search range.	<ul style="list-style-type: none"> <li>Check that there is a valid image written within the boot partition address search space for the device, refer to the Boot Header Search and Multiboot sections.</li> </ul>
0x200E	P: Header NP: Previous	An address in the Register Initialization field of the Boot Header is out of the accessible range.	<ul style="list-style-type: none"> <li>Check that all addresses are within the range based on boot mode, refer to the Register Initialization address range table.</li> </ul>
0x200F	P: Secure NP: Secure	Secure boot mode. The Start of Execution word does not equal 0.	<ul style="list-style-type: none"> <li>The Start of Execution word must be equal to 0 in secure mode (boot from OCM).</li> </ul>
0x2011	P: Header NP: Previous	NAND boot mode. Length of Image parameter is = 0. The execute-in-place mode is not supported in the NAND boot mode.	<ul style="list-style-type: none"> <li>Set the Length of Image parameter to the length of the boot image. Must fit into the 192 KB of available OCM memory.</li> </ul>
0x2012	P: Header NP: Previous	SD card boot mode. Length of Image parameter is = 0. The execute-in-place mode is not supported in the SD card boot mode.	<ul style="list-style-type: none"> <li>Set the Length of Image parameter to the length of the boot image. Must fit into the 192 KB of available OCM memory.</li> </ul>
0x2019	P: Secure NP: Secure	The encryption and eFuse combinations are not valid, refer to <a href="#">Table 6-6</a> .	<ul style="list-style-type: none"> <li>Make sure the Encryption Status parameter and the eFuse states are consistent.</li> </ul>
0x201A	P: Secure NP: Secure	Security Violation was detected. The system tried to transition from a secure operating mode to a non-secure boot mode without using POR.	<ul style="list-style-type: none"> <li>Assert the POR reset to boot in non-secure mode when the system was previously booted in secure mode.</li> </ul>
0x2023	P: Non-secure NP: Previous	There is a mismatch between the value in the Header Checksum word and the calculated checksum for the header, or the Image Identification word in the Boot Header does not contain 0x584C4E58, 'XLNX'.	<ul style="list-style-type: none"> <li>Verify that the Header Checksum is correct.</li> <li>* Make sure the Image Identification word has 0x584C4E58.</li> <li>Verify that the boot device can be accessed reliably using the JTAG boot mode.</li> </ul>

Table 6-18: BootROM Error Codes (Cont'd)

Error Code	Lockdown Type <sup>(1)</sup>	Description	Solution
0x2024	P: Header NP: Previous	The Image Identification word in the Boot Header does not contain 0x584C4E58, 'XLNX'.	<ul style="list-style-type: none"> <li>Make sure the Image Identification word equals 0x584C4E58.</li> <li>Verify that the boot device can be accessed reliably using the JTAG boot mode.</li> </ul>
0x2100	P: Non-secure NP: Previous	The Image Identification word in the Boot Header does not equal 0x584C4E58, 'XLNX.'	<ul style="list-style-type: none"> <li>Make sure the Image Identification word has 0x584C4E58.</li> <li>Verify that the boot device can be accessed reliably. Boot in JTAG mode and test, if necessary.</li> </ul>
0x2101	P: Non-secure NP: Previous	Boot Header checksum fails.	<ul style="list-style-type: none"> <li>Verify that the Header Checksum is correct.</li> <li>Verify that the boot device can be accessed reliably using the JTAG boot mode.</li> </ul>
0x2102	P: Non-secure NP: Previous	The address value in the Source Offset word points to a location within the Boot Header instead of where the image is actually located.	<ul style="list-style-type: none"> <li>Check the address value in the Source Offset word.</li> </ul>
0x2103	P: Non-secure NP: Previous	The address value in the Source Offset word is not aligned to a 64B boundary.	<ul style="list-style-type: none"> <li>Align the address in the Source Offset word to a 64-byte boundary.</li> </ul>
0x2106	P: Non-secure NP: Previous	Non-secure and execute from OCM mode. The Length of Image parameter exceeds the 192 KB limit of the OCM for the initial FSBL/User code.	<ul style="list-style-type: none"> <li>Reduce the size of the initial FSBL/User code that is loaded into the OCM.</li> </ul>
0x2108	P: Non-secure NP: Previous	Non-secure and execute from OCM mode. The Start of Execution parameter is greater than 192 KB (0x03 0000).	<ul style="list-style-type: none"> <li>The Start of Execution value must be within the OCM.</li> </ul>
0x2109	P: Non-secure NP: Previous	The Reserved parameter (0x038) is not set = 0.	<ul style="list-style-type: none"> <li>Set the reserved parameter at 0x038 to 0.</li> </ul>
0x210A	P: Non-secure NP: Previous	Applies to secure boot mode. The Length of Image word in the header is set to 0 (execute-in-place).	<ul style="list-style-type: none"> <li>Execute-in-place is not supported in secure mode. Either specify non-secure mode, or change the Length of Image word to match the image length after decryption.</li> </ul>
0x210B	P: Secure NP: Previous	Secure mode. HMAC error occurred.	<ul style="list-style-type: none"> <li>Verify that the key and key source are the same for encryption and decryption.</li> </ul>
0x210D	P: Header NP: Previous	This error occurs if the image length is not equal to 0 and the length is greater than 192 KB.	<ul style="list-style-type: none"> <li>Reduce the size of the initial FSBL/User code that is loaded into the OCM.</li> </ul>
0x210E	P: Header NP: Previous	The Length of Image parameter is set to 0 indicating an execute-in-place boot, but the selected boot mode does not support execute-in-place.	<ul style="list-style-type: none"> <li>Check the boot mode settings.</li> <li>NAND and SD card do not support execute-in-place.</li> </ul>

Table 6-18: BootROM Error Codes (Cont'd)

Error Code	Lockdown Type <sup>(1)</sup>	Description	Solution
0x210F	P: Header NP: Previous	Boot Header checksum failed before processing the Register Initialization words.	<ul style="list-style-type: none"> <li>Verify that the Header Checksum is correct.</li> <li>Verify that the boot device can be accessed reliably using the JTAG boot mode.</li> </ul>
0x2110	P: Header NP: Previous	The Image Identification word in the Boot Header does not contain 0x584C4E58, 'XLNX'.	<ul style="list-style-type: none"> <li>Make sure the Image Identification word has 0x584C4E58.</li> <li>Verify that the boot device can be accessed reliably using the JTAG boot mode.</li> </ul>
0x2111	P: Header NP: Previous	One or more address/write-data pairs in the Register Initialization section of the BootROM contains an address outside of the allowed range.	<ul style="list-style-type: none"> <li>Make sure the addresses in the Register Initialization section are within the ranges defined in the TRM table 6-13 Boot Image Address-Data Write Address Ranges.</li> </ul>
0x2200	P: Secure NP: Previous	Secure boot mode. The image size after decryption does fit into the 192 KB of available OCM memory.	<ul style="list-style-type: none"> <li>Reduce the size of the initial FSBL/User code that is loaded into the OCM.</li> </ul>

**Notes:**

- There are two reset types, POR (P) and non-POR (NP). Refer to the text preceding the table for an explanation of the lockdown type column.

### 6.3.12 Post BootROM State

The state of the PS after the BootROM executes depends on these conditions:

- The Decryption Status parameter.
- The boot strap mode pins.mgh.
- Actions of the BootROM based on system discovery.

The mode pins impact which MIO are enabled and what I/O standard they are set to after exiting the BootROM. Additionally, the mode setting impacts the boot peripheral settings. For example, if Quad-SPI is the selected boot source the needed MIO is enabled and the Quad-SPI controller is set with the necessary settings to read from flash. The modified values for each boot source are documented in the associated boot devices section.

#### APU and OCM State after BootROM

The general processor state upon BootROM exit is as follows:

- MMU, Icache, Dcache, L2 cache are all disabled.
- Both processors are in the supervisor state.
- ROM code is inaccessible.
- 192 KB of OCM memory is accessible starting at address 0x0000\_0000 while the upper 64 KB of the OCM is accessible starting at address 0xFFFF\_0000.



- CPU 0 branches into the stage 1 boot image if no failure takes place.
- CPU 1 is in a WFE state while executing code located at address 0xFFFF\_FE00 to 0xFFFF\_FFF0.

### Memory Map During BootROM Execution

The system memory map during BootROM execution places 192 KB of OCM at the bottom of memory and 64 KB at the top as shown in Figure 6-10. The 64 KB memory block is used by the BootROM to store the Boot Header and program variables. After the BootROM is finished, the 64 KB OCM memory block is freed-up for the FSBL to use.

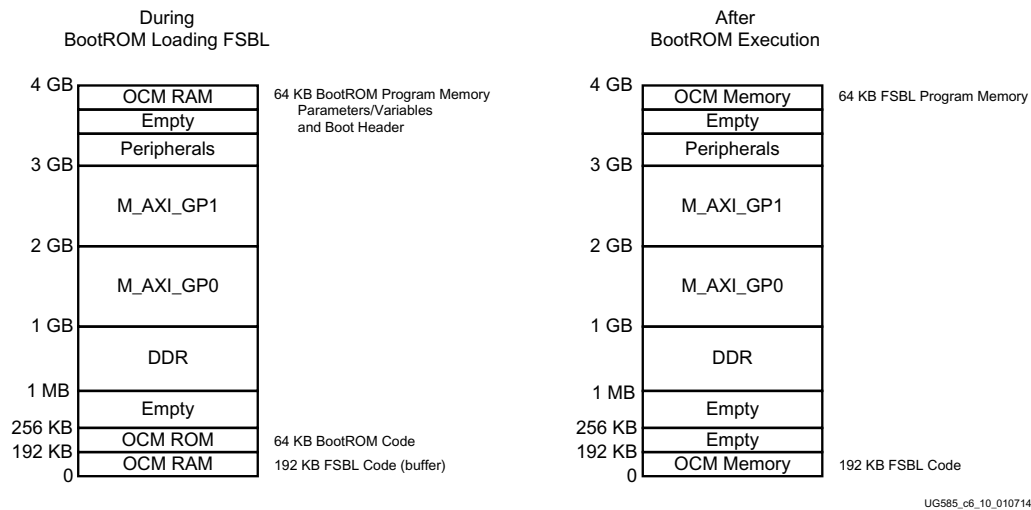


Figure 6-10: System Memory Map During BootROM Execution

### Post BootROM Security

If secure mode is enabled, the AES engine is accessible post BootROM. In non-secure mode, the AES engine is not accessible.

The BootROM locks several bits in the DevC module prior to exiting to ensure security. The bits the BootROM locks are listed in Table 6-19; where 1 = locked.

Table 6-19: devcfg.LOCK Register

Bit Position	Bit Name	BootROM Secure Boot Lock Status	BootROM Non-Secure Boot Lock Status
31:5	reserved	~	~
4	AES_FUSE_LOCK	1	0
3	AES_EN_LOCK	0	1
2	SEU_LOCK	0	0
1	SEC_LOCK	1	0
0	DBG_LOCK	0	0

## Post BootROM Debug

In the event of a failure while booting non-secure the BootROM enables JTAG access so that the REBOOT\_STATUS and other registers can be read using the DAP controller. A debugging tool like XMD has full access to the processor when JTAG is enabled and includes the DAP controller in the chain.

If a failure occurs while booting in secure mode, the BootROM disables the AES engine, clears the OCM, clears the PL, and halts the processor. JTAG is not enabled, consequently, the REBOOT\_STATUS value is not available to be read. Instead, the 16-bit error code is shown by toggling the INIT\_B pin.

### 6.3.13 Registers Modified by the BootROM – Examples

Examples of registers modified by the BootROM are listed in Table 6-20. When multiple register values appear in the table, this indicates that the value depends on other factors. Refer to the footnotes and text for more information. These are values that have been observed when the BootROM transfers CPU control from the FSBL/User code.

These values were obtained from test run on the zc702 board with the 7z020 production device and the zc706 board with the 7z045 production device.

Table 6-20: BootROM Modified Registers

Address	Register Name <sup>(1)</sup>	Reset Value	JTAG Boot	Quad-SPI Boot	SD Card Boot
<b>devcfg Registers</b>					
0xF800_7000	CTRL	0x0C006000	0x4E00E07F	0x4C00E07F 0x4E80EE80	0x4E00E07F 0x4E80EE80
0xF800_7004	LOCK	0x00000000	0x0000001A	0x0000001A 0x00000012	0x0000001A 0x00000012
0xF800_7008	CFG	0x00000508	reset value	reset value	reset value
0xF800_700C	INT_STS	0x00000000	0xF8020006 0xA802000A 0xA802000B	0xA803000A 0xA803100A 0xA883100A	0xA802000A 0xA803000A
0xF800_7014	STATUS	0x40000820	0x40000F30 0x40000A30	0x40000A30	0x40000A30
0xF800_7028	ROM_SHADOW	0x00000000	0xFFFFFFFF		
0xF800_7034	UNLOCK	0x00000000	0x757BDF0D	0x757BDF0D	0x757BDF0D
0xF800_7080	MCTRL	x	0x10800000 0x30800100	0x30800100	0x30800100
<b>I2cache Registers</b>					
0xF8F0_2104	reg1_aux_control	0x02050000	0x02060000		
0xF8F0_2F40	reg15_debug_ctrl	0x00000000	0x00000004	0x00000004 0x00000000	0x00000004 0x00000000
<b>mpcore Registers</b>					
0xF8F0_0040	Filtering_Start_Addr	0x00100000	reset value	reset value	reset value
0xF8F0_0044	Filtering_End_Addr	0x00000000	0xFFE00000	0xFFE00000	0xFFE00000
0xF8F0_0108	ICCBPR	0x00000002	reset value		

Table 6-20: BootROM Modified Registers (Cont'd)

Address	Register Name <sup>(1)</sup>	Reset Value	JTAG Boot	Quad-SPI Boot	SD Card Boot
0xF8F0_0200	Global_Timer_Counter_0	0x00000000	The value depends on when the register is read.		
0xF8F0_0204	Global_Timer_Counter_1	0x00000000	The value depends on when the register is read.		
0xF8F0_0208	Global_Timer_Control	0x00000000	0x00000001		0x00000001
<b>slcr Registers</b>					
0xF800_0258	REBOOT_STATUS <sup>(2)</sup>	0x00400000	0x00400002	0x00400000 0x00600000	0x00400000 0x00600000
0xF800_0910	OCM_CFG	0x00000000	0x00000018	0x00000018	0x00000018
0xF800_0A1C	Reserved	0x00010101	0x00010101	0x00020202	0x00020202
0xF800_0B04	GIOB_CFG_CMOS18	0x00000000	0x0C301166	0x0C301166	0x0C301166
0xF800_0B08	GIOB_CFG_CMOS25	0x00000000	0x0C301100	0x0C301100	0x0C301100
0xF800_0B0C	GIOB_CFG_CMOS33	0x00000000	0x0C301166	0x0C301166	0x0C301166
0xF800_0B14	GIOB_CFG_HSTL	0x00000000	0x0C750077	0x0C750077	0x0C750077
0xF800_0B70	DDRIOB_DCI_CTRL	0x00000020	reset value	0x00000823	0x00000823
<b>uart1 Registers</b>					
0xE000_1000	Control_reg0	0x00000128	0x00000114	0x00000114	0x00000114
0xE000_1004	mode_reg0	0x00000000	0x00000020	0x00000020	0x00000020
0xE000_1014	Chnl_int_sts_reg0	0x00000200	reset value	0x00000E10	0x00000E10
0xE000_1018	Baud_rate_gen_reg0	0x0000028B	reset value	0x0000003E	0x0000003E
0xE000_1028	Modem_sts_reg0	x	0x000000FB	0x000000FB	0x000000FB
0xE000_102C	Channel_sts_reg0	0x00000000	reset value	0x00006812	0x00006812
0xE000_1034	Baud_rate_divider	0x0000000F	reset value	0x00000006	0x00000006

**Notes:**

1. Some register names are truncated or abbreviated to keep them short in this table.
2. In the REBOOT\_STATUS register, a 4 means a POR reset and a 6 means an SRST (non-POR) reset.

## 6.4 Device Configuration Functions and Operations

The Zynq device is a complex system of functions and resources that can either be tightly controlled (secure) by the PS boot process or be open and accessible in a friendly and/or development environment. The PS-centric control of the Zynq device assumes a secure environment after a POR reset until the Encryption Status parameter in the Boot Header is read or until JTAG boot mode is detected. The BootROM supports file authentication (RSA) and decryption functions for FSBL/User code as described in the chapter introduction.

### Device Bring-up Processes

The device bring-up process can be divided-up into these sections:

- PS Start-up
  - Through hardware signals, see [6.2 Device Start-up](#)
- PS Configuration
  - Through BootROM Register Initialization and FSBL/User code
  - Through JTAG DAP controller
- PL Start-up
  - Through hardware signals, see [6.2 Device Start-up](#)
- PL Initialization
  - Through hardware signals
  - Through FSBL/User code
- PL Configuration (bitstream)
  - Through FSBL/User code
  - Through JTAG TAP controller
- PL Re-configuration (bitstream)
  - Through FSBL/User code
  - Through JTAG TAP controller
  - Through ICAP interface in PL with properly configured PL

### Chapter Sections

This chapter section includes the following subsections to explain various aspects of device configuration:

- [6.4.1 Simultaneous PS and PL Bring-Up](#)
- [6.4.2 PL Control](#)
- [6.4.3 PL Configuration](#)
- [6.4.4 Configure and Reconfigure the PL](#)

- 6.4.5 AXI-PCAP Bridge Datapaths
- 6.4.6 AXI-PCAP Bridge FIFOs and DMA Controller
- 6.4.7 JTAG Interfaces and Controllers

## 6.4.1 Simultaneous PS and PL Bring-Up

The PS and PL can be brought up together in a secure or non-secure mode.

There are multiple resources to reference when considering a secure environment. At the low-level, refer to [Chapter 32, Device Secure Boot](#). As the system transitions to the FSBL and OS, refer to [UG821, Zynq-7000 All Programmable SoC Software Developers Guide](#).

### PS/PL Timeline

The simultaneous bring-up of the PS and PL is shown in [Figure 6-11](#). Also refer to [Figure 6-4, page 161](#) for details on power, reset, and clock interactions and timing examples.

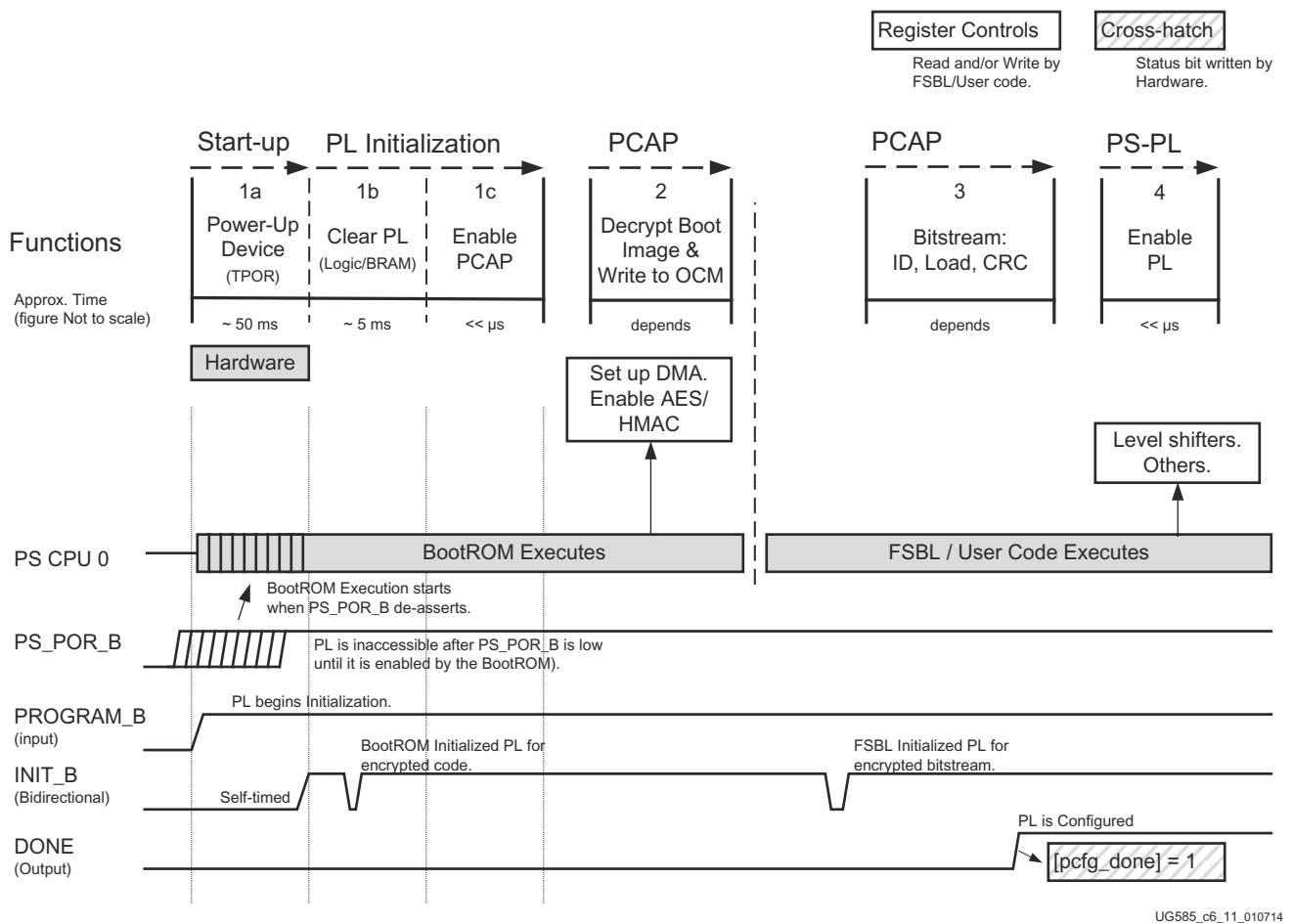


Figure 6-11: Simultaneous PS-PL Bring-up

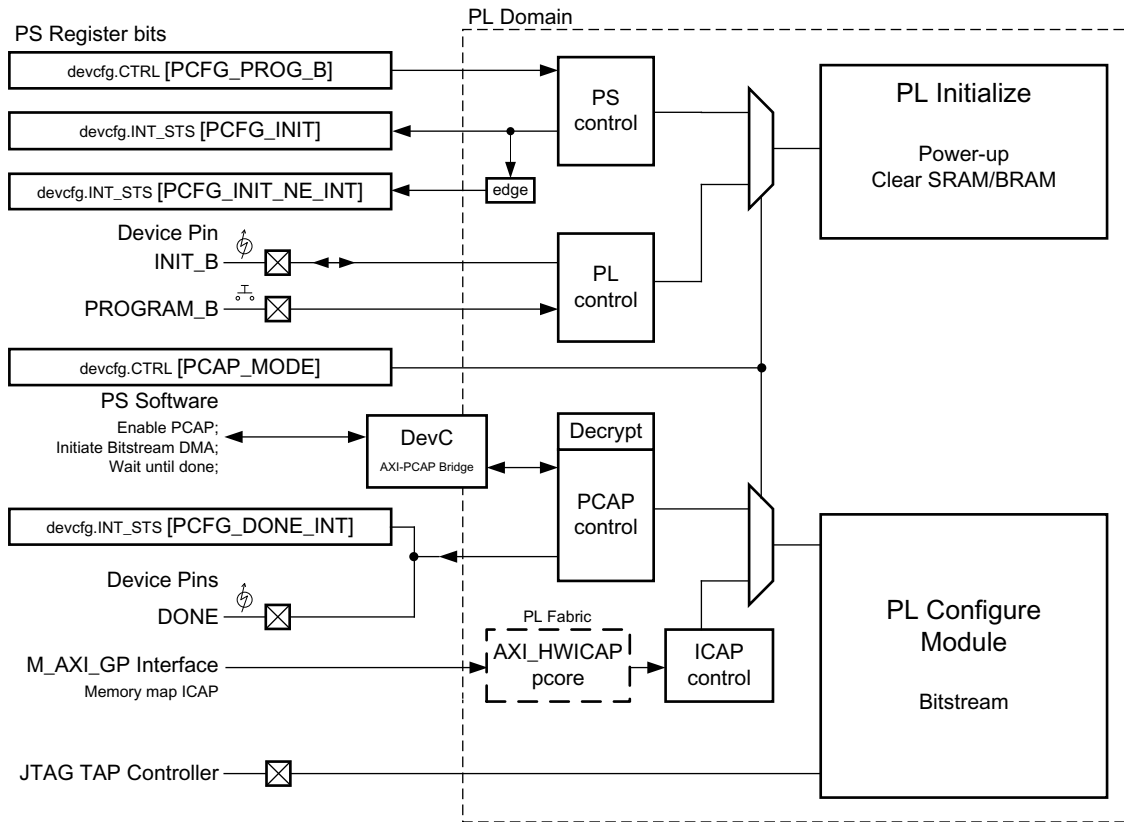
## Example PS/PL Bring-Up Flow

The normal bring-up process boots from a flash memory device. The BootROM supports both encrypted (secure) images and non-encrypted images. The bring-up sequence is summarized in these steps:

1. Power-supplies are stable, PS\_CLK is stable. See section 6.2.3 Clocks and PLLs.
2. PS\_POR\_B reset deasserts; for **Secure** boot, the PL is powered-on and initialized by board logic.
3. BootROM executes in CPU 0:
  - a. Reads slcr.BOOT\_MODE register to determine boot device.
  - b. Reads Boot Header to determine encryption status and image destination.
  - c. **Secure**: Ensures PL is powered on to begin FSBL/User code decryption.
4. BootROM prepares for the CPU to execute the FSBL/User code:
  - a. **Non-Secure**: BootROM loads the FSBL/User code into OCM (or prepares for execute-in-place).
  - b. **Secure**: BootROM programs the DevC DMA engine to transfer the encrypted FSBL/User code into the RxFIFO and send it to the AES and HMAC modules in the PL. The decrypted image accumulates in the Tx FIFO and is written into the OCM by the DMA engine.
5. BootROM is disabled and CPU control is transferred to the FSBL/User code.
  - a. **Non-Secure**: Code can be in OCM or executed directly from the boot device.
  - b. **Secure**: Code is executed from OCM.
6. The FSBL/User code loads PL bitstream.
  - a. **Non-Secure**: The code loads the bitstream using the PCAP controller.
  - b. **Secure**: The code loads the encrypted bitstream through the AES/HMAC modules and PCAP controller.

## 6.4.2 PL Control

The PL is controlled by PS registers and external pins associated with the PL. A high-level view of these controls are illustrated in Figure 6-12. Care must be taken when switching between PS control and device pin control of the PL.



UG585\_c6\_12\_011614

Figure 6-12: PL Initialization and Configuration Control Details

## PL Initialization Control Pins

The PL initialization pins are part of the PL voltage domain. They can be used to initiate PL initialization and allow you to see the status using LEDs.

Table 6-21: PL Initialization Signals

Signal Name	Type	Description	Board Connection
PROGRAM_B	Active-Low input	<b>Reset PL Configuration Logic.</b> The PROGRAM_B input is usually pulsed Low by external means to reset the PL and allow the PS or JTAG TAP controller to program the PL with a bitstream. When PROGRAM_B is driven Low, the PL initialization sequence begins, causing the PL to drive the INIT_B signal Low during the process.	External 4.7 kΩ (or stronger) pull-up resistor to V <sub>CCO_0</sub> . Use a push button to GND to generate a configuration reset.
INIT_B	Active-Low open-drain I/O	<b>PL Initialization Activity and Configuration Error.</b> The PL drives the INIT_B pin Low when the PL is initializing (clearing) its configuration memory, or when the PL has detected a configuration error. <sup>(1)</sup>	External 4.7 kΩ (or stronger) pull-up resistor to V <sub>CCO_0</sub> to ensure clean Low-to-High transitions.

Table 6-21: PL Initialization Signals (Cont'd)

Signal Name	Type	Description	Board Connection
DONE	Active-High open-drain output	<b>PL Configuration Done Indicator.</b> The PL drives the DONE signal Low until the PL is successfully configured.	External 330 kΩ pull-up resistor to V <sub>CCO_0</sub> .

**Notes:**

1. Unlike FPGAs, the INIT\_B should not be externally held Low to delay the PL configuration sequence because this is not indicated in the devcfg.STATUS [PCFG\_INIT] register bit that is accessible by PS software.

## PL Initialization and Configuration Register Bits

There are several control and status bits in the devcfg register space that the PS can use to initialize and configure the PL. These are listed in Table 6-22.

Table 6-22: PL Control and Status Register Bits

Bitfield	Bit	Type	Description
<b>devcfg.CTRL</b>			
[PCFG_PROG_B]	30	RW	<b>PL Reset Control.</b> Similar to pulsing the PROGRAM_B pin High-Low-High. 0: PL held in reset. 1: PL released from reset.
[PCFG_POR_CNT_4K]	29	RW	<b>Power-up Reset Timer Rate Select.</b> Timer is used during PL initialization. 0: Use 64K timer. 1: Use 4K timer (faster initialization of reset stage).
<b>devcfg.INT_STS</b>			
[PSS_CFG_RESET_B_INT]	27	WTC	<b>PL reset interrupt detected, either edge.</b> Maskable using devcfg.INT_MASK [M_PSS_CFG_RESET_B_INT].
[PSS_CFG_RESET_B]	5	RO	<b>PL Reset State indicator.</b> 0: reset state. 1: not reset state.
[PCFG_POR_B_INT]	4	WTC	<b>PL loss of power interrupt.</b> Maskable using devcfg.INT_MASK [M_PCFG_POR_B_INT].
[PCFG_CFG_RST_INT]	3	WTC	<b>PL configuration controller reset level interrupt.</b> Maskable using devcfg.INT_MASK [M_PCFG_CFG_RST_INT].
[PCFG_DONE_INT]	2	WTC	<b>PL Programming Done Indicator.</b> 0: PL is not available. 1: Bitstream programming is complete and PL is in user mode. Maskable using devcfg.INT_MASK [M_PCFG_DONE_INT].
[PCFG_INIT_PE_INT]	1	WTC	<b>INIT_B Signal Positive-edge Detector Interrupt.</b> Triggered when a positive edge is detected on the INIT_B signal. Maskable using devcfg.INT_MASK [M_PCFG_INIT_PE_INT].
[PCFG_INIT_NE_INT]	0	WTC	<b>INIT_B Signal Negative-edge Detector Interrupt.</b> Triggered when a negative edge is detected on the INIT_B signal. Maskable using devcfg.INT_MASK [M_PCFG_INIT_NE_INT].
<b>devcfg.STATUS</b>			



Table 6-22: PL Control and Status Register Bits (Cont'd)

Bitfield	Bit	Type	Description
[PCFG_INIT]	4	RO	PL initialization complete indicator: 0: not ready. 1: ready for bitstream programming. Status interrupt for positive and negative edges: [PCFG_INIT_{PE,NE}_INT]. Maskable using devcfg.INT_MASK [M_PCFG_INIT_{PE,NE}_INT].
<b>devcfg.MCTRL</b>			
[PCFG_POR_B]	8	RO	PL power on/off indicator: 0: power is off. 1: power is on.
[INT_PCAP_LPBK]	4	RW	PCAP Loopback: 0: disabled, 1: enabled.

### 6.4.3 PL Configuration

In master boot mode, the PL can be configured by the PS using the PCAP interface. Users are free to configure the PL at any time, whether it is directly after PS boot using the FSBL/User code, or at some later time using another image loaded into the PS. In JTAG boot mode, the PL can be configured using the ICAP interface that is accessed through the TAP controller.

#### PCAP/ICAP Access Exclusivity

The operation of the PCAP and ICAP interfaces to the PL configuration controller are mutually exclusive. Only one interface can control the PL configuration module at a time. The interface is selected by the devcfg.CTRL [PCAP\_PR] bit. It is possible to use both interfaces in the device, but care must be taken to ensure that all outstanding transactions are completed before changing interfaces.

#### Secure Mode PL Configuration

To perform a secure PL configuration, the PS must have booted securely. The AES and HMAC engines can only be enabled by the BootROM. The procedure for loading a secure bitstream is the same as loading a non-secure bitstream except the devcfg.CTRL [QUARTER\_PCAP\_RATE\_EN] bit must be set = 1. Because the AES engine only de-crypts one byte at a time, the PCAP can only send one 32-bit word to the PL for every four clock cycles.

#### Determine the PL Power Status

The PL must first be powered on and initialized before it can be configured. When power is applied to the PL, it begins its independent power-on reset sequence followed by initialization which clears all of the PL configuration SRAM cells. The power-on reset status of the PL can be monitored by the PS.

The power status of the PL is tracked in the devcfg.MCTRL [PCFG\_POR\_B] bit. If the [PCFG\_POR\_B] bit is set = 1, then the PL has power. The PL power status can also be tracked using the devcfg.INT\_STS [PCFG\_POR\_B\_INT] interrupt.

Additional information about the PL power-up status can be obtained by reading the devcfg.STATUS [PSS\_CFG\_RESET\_B] register bit. If the bit is Low, then the PL is in a reset state. A transition from a Low to a High indicates the start of the PL initialization process.

At any time, the devcfg.CTRL [PCFG\_PROG\_B] bit can be used to issue a global reset to the PL. If this bit is set Low, the PL begins its initialization process and the devcfg.STATUS [PCFG\_INIT] bit is held Low until the [PCFG\_PROG\_B] bit is set High by the hardware.

## 6.4.4 Configure and Reconfigure the PL

Both the PS and PL must be powered-on to configure or re-configure the PL.

### Example: Configure the PL via AXI-PCAP Bridge

To send a configuration bitstream, the PL must first be initialized. This status is indicated by the devcfg.STATUS [PCFG\_INIT] bit. The bitstream is transferred to the PL using the DevC DMA. A successful PL configuration is indicated by the devcfg.INT\_STS [PCFG\_DONE] interrupt status bit.

The configuration flow is:

1. **Wait for PL to be initialized.** Test for devcfg.STATUS [PCFG\_INIT] bit = 1.
2. **Disable the DMA internal loopback.** write 0 to devcfg.MCTRL [INT\_PCAP\_LPBK].
3. **Enable PCAP.** write 1s to devcfg.CTRL [PCAP\_PR] and [PCAP\_MODE].
4. **Initiate a DevC DMA transfer:**
  - a. Source address: Location of PL bitstream in system memory.
  - b. Destination address: 0xFFFF\_FFFF
  - c. Source length: Total number of 32-bit words in the PL bitstream
  - d. Destination length: Total number of 32-bit words in the PL bitstream
5. **Wait for PL Configuration to be done.** Test for devcfg.INT\_STS [PCFG\_DONE\_INT] bit = 1.

### Example: Reconfigure the PL via AXI-PCAP Bridge

After the PL has been configured, it can be reconfigured using either the PCAP or ICAP. To use the ICAP, write 0 to the devcfg.CTRL [PCAP\_PR] bit. The initial configuration of the PL must also have connected the ICAP to an external interface or to some logic internal to the PL.

To reconfigure the PL using PCAP, write 1s to the devcfg.CTRL [PCAP\_PR] and [PCAP\_MODE] bits. The internal loopback function must also be disabled. The reconfiguration bitstream is sent to the PL using the DevC DMA, the source and destination is the same as for the initial configuration.

1. **Enable the PCAP interface and select PCAP for reconfiguration;** write 1s to devcfg.CTRL [PCAP\_MODE] and [PCAP\_PR] bits.
2. (Optional) **Initialize the PL** (clears previous configuration):
  - a. Set [PCFG\_PROG\_B] High then set [PCFG\_PROG\_B] Low.
  - b. Wait for devcfg.STATUS [PCFG\_INIT] bit = 0.
  - c. Clear the PL configuration done interrupt; write 1 to devcfg.INT\_STS [PCFG\_DONE\_INT].
3. **Make sure that the PL to be ready for programming;** Wait for the devcfg.STATUS [PCFG\_INIT] bit to = 1.
4. **Disable loopback;** Write 0 to devcfg.MCTRL [INT\_PCAP\_LPBK] bit.

5. **Make sure the DMA/PCAP interrupt is cleared;** write a 1 to the devcfg.INT\_STS [D\_P\_DONE\_INT] bit.
6. **Initiate a DevC DMA transfer:**
  - a. Source Address: Location of new PL bitstream.
  - b. Destination Address: 0xFFFF\_FFFF.
  - c. Source Length: Total number of 32-bit words in the new PL bitstream.
  - d. Destination Length: Total number of 32-bit words in the new PL bitstream.
7. **Poll or wait for the DMA/PCAP operations to be done;** devcfg.INT\_STS [D\_P\_DONE\_INT].
8. (Optional) **If the previous configuration was cleared in Step 2, then check if the PL is clear;** devcfg.INT\_STS [PCFG\_DONE\_INT] = 1.

If the PL is cleared using devcfg.CTRL [PCFG\_PROG\_B], then the devcfg.INT\_STS [PCFG\_DONE\_INT] bit is set when the PL ready for reconfiguration. If then PL is cleared by asserting the PROGRAM\_B pin. The DONE signal is asserted and the devcfg.INT\_STS [D\_P\_DONE\_INT] bit is set when the operation is completed.

## 6.4.5 AXI-PCAP Bridge Datapaths

The AXI-PCAP bridge provides the FSBL/User code software with access to the PL configuration module and Decryption engine. The configuration module processes the bitstream and loads the SRAMs in the PL. The decryption engine is used to decrypt the bitstream and code files. The PL must be powered up to use the bridge.

There are three common datapaths used with the AXI-PCAP bridge. The paths are illustrated in [Figure 6-13](#).

- Non-Encrypted bitstream
- Encrypted bitstream
- Encrypted software images

### Non-Encrypted Bitstream

The non-encrypted bitstream is usually DMA'd from the DDR memory and directly into the PL configuration module. It bypasses the AES and HMAC modules. This path can be used for configuration and re-configuration of the PL.

### Encrypted Bitstream

The Encrypted bitstream is usually accessed by DMA from the DDR memory to the AES and HMAC modules in the PL. From the AES/HMAC module, the decrypted bitstream is routed directly to the PL configuration module. This path can be used for configuration and re-configuration of the PL.

### Encrypted Software Images

The encrypted files are usually accessed by DMA from the DDR memory to the AES and HMAC modules in the PL. From the AES/HMAC module, the decrypted software images are routed back to

the DMA engine. There is a separate datapath and FIFO for receive and transmit in the AXI-PCAP interface bridge. This path can be used at any time by the FSBL/User code and operating system code.

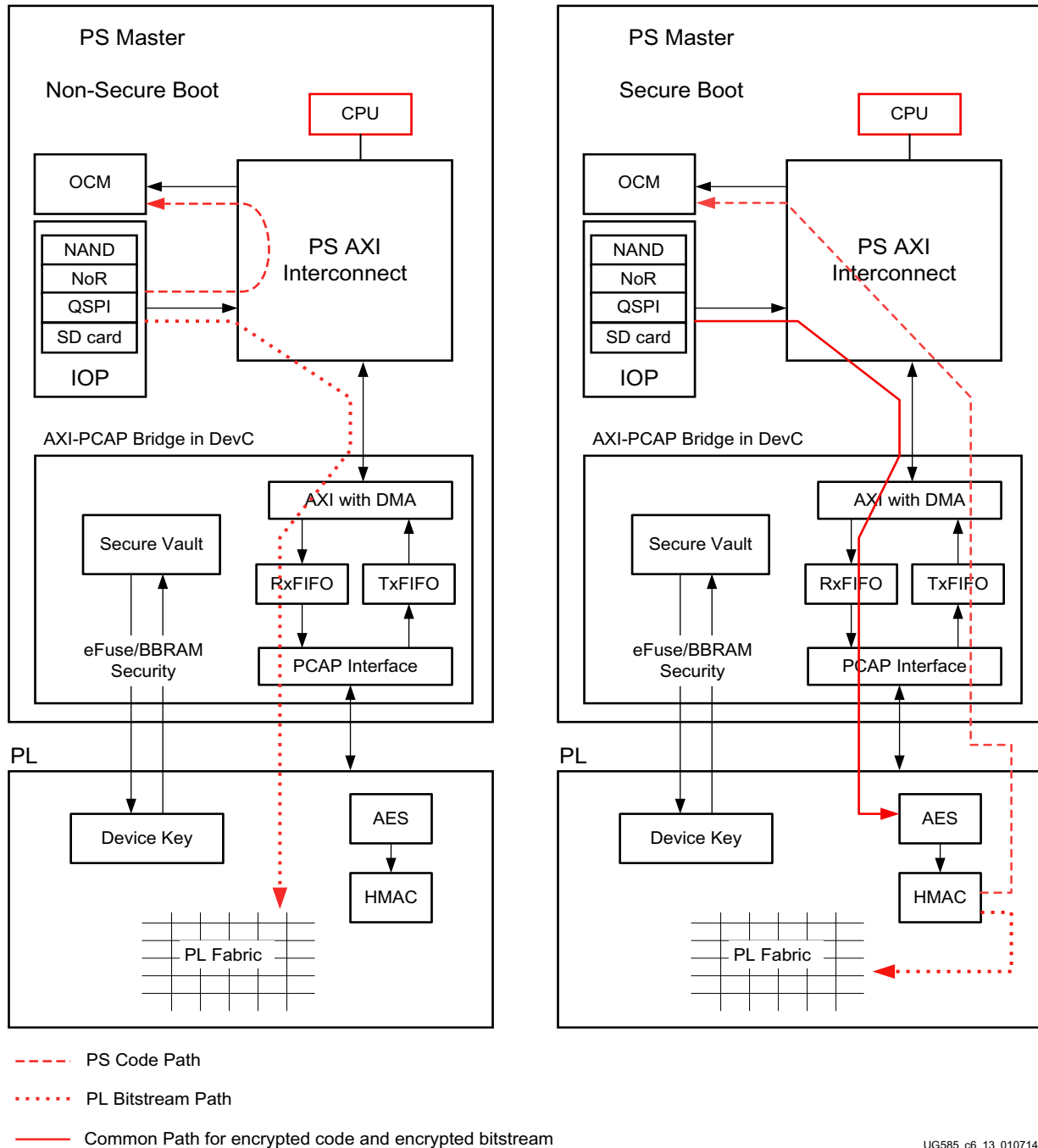


Figure 6-13: PS Master Non-Secure and Secure Boot Diagram

## 6.4.6 AXI-PCAP Bridge FIFOs and DMA Controller

The AXI-PCAP bridge is part of the device configuration interface and is used to configure the PL and decrypt Boot Images. The bridge converts 32-bit AXI formatted data to the 32-bit PCAP protocol and vice versa. The bridge supports both concurrent and non-concurrent download and upload of configuration data. A transmit and receive FIFO buffer data between the AXI and PCAP interfaces. A DMA engine moves data between the FIFOs and a memory device, typically the on-chip RAM, the DDR memory, or one of the peripheral memories. Non-secure data to the PCAP interface can be sent every clock cycle, encrypted data can be sent every four clock cycles.

The DMA controller is used to move data between the PS and the PCAP module to decrypt files and configure the PL using the bitstream. The DMA controller is register programmed and can generate PS interrupts. It is a master on the PS AXI interconnect.

To transfer data across the PCAP interface, the PL must be powered on. The PCAP interface is enabled using the devcfg.CTRL [PCAP\_MODE] and [PCAP\_PR] bits. If encrypted data is being sent, then the devcfg.CTRL [QUARTER\_PCAP\_RATE\_EN] bit should also be set.

Data is transferred through the PCAP interface using the DevC built-in DMA engine. To start a transfer, the four DMA registers must be written in this order:

1. Source Address register
2. Destination Address register
3. Source Length register
4. Destination Length register

To transfer data to the PL through the PCAP interface, the destination address should be `0xFFFF_FFFF`. Similarly, to read data from the PL through the PCAP interface, the source address should be `0xFFFF_FFFF`. Encrypted PS images must also be sent across the PCAP interface because the AES and HMAC engines reside within the PL. In this case, the DMA source address should be an external memory interface and the destination address should be on-chip RAM. All DevC DMA transactions must be 64-byte aligned to prevent accidentally crossing a 4K byte boundary. The DMA status is tracked using the devcfg.INT\_STS[DMA\_DONE\_INT], devcfg.INT\_STS[D\_P\_DONE\_INT] and can be monitored using either interrupts or a polling method.

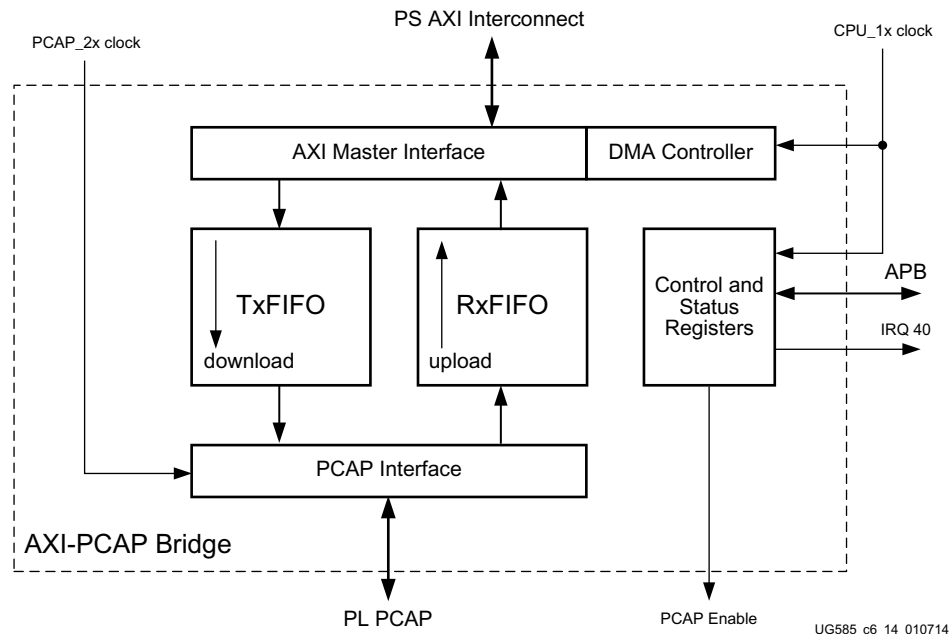


Figure 6-14: AXI-PCAP Bridge

The DevC DMA engine can also be used to load non-secure PS images. Before doing this, the devcfg.MCTRL [INT\_PCAP\_LPBK] bit should be set in the Miscellaneous Control register. This bit enables an internal loopback that bypasses the PCAP interface. This bit needs to be disabled again before using the PCAP interface. The DMA source address should be an external DDR memory and the destination address should be on-chip RAM or a valid external interface like DDR. All DMA transactions must be 64-byte aligned to prevent a 4K byte boundary from being crossed.

The PCAP interface can also be used to perform a PL configuration readback. To perform a readback, the PS must be running software capable of generating the correct PL readback commands. Two DMA accesses are required to complete a PL configuration readback. The first access is used to issue the readback command to the PL. The second access is needed to read the PL readback data from the PCAP. The smallest amount of data that can be read back from the PL is one configuration frame which contains 101 32-bit words.

## PCAP Loopback

Caution should be taken when using the DevC DMA in loopback mode. Talking to a slave port that prioritizes writes over reads could lead to a DevC DMA hang.

Sample first DMA access for PL readback:

1. DMA Source Address – location of PL readback command sequence.
2. DMA Destination Address – desired location to store readback data, note that the on-chip RAM is not large enough to hold a complete PL readback.
3. DMA Source Length – number of commands in the PL readback command sequence.
4. DMA Destination Length – number of readback words expected from the PL.

There are four limitations when accessing the PL configuration systems:

1. Readback of configuration registers or data cannot be performed until the devcfg.INT\_STS [PCFG\_DONE].
2. A single PCAP readback access cannot be split across multiple DMA accesses. If the readback command sent to the PL requests 505 words, the DevC DMA must also be set up to process 505 words. Splitting the transaction into two DMA accesses results in data loss and unexpected DMA behavior.
3. The DMA must have sufficient bandwidth to process the PL readback data due to a lack of data flow control on the PL side of the PCAP. Overflow of the PCAP RxFIFO results in data loss and unrecoverable DMA behavior. If adequate bandwidth cannot be allocated to the DevC DMA, then the PCAP clock could be slowed down or the readback could be broken up into multiple smaller transactions.
4. All DMA transactions must be 64-byte aligned to prevent accidentally crossing a 4K byte boundary.

For more information regarding PL configuration readback, see [UG470, 7 Series FPGAs Configuration User Guide](#).

## AXI and DMA Done Status Interrupts

The DevC DMA triggers a DMA\_DONE interrupt upon completion of the PL configuration data transfer. The DMA DONE interrupt can be controlled to trigger when the AXI side of the DMA transaction is complete or when both the AXI and PCAP transfers are complete. The AXI completion interrupt allows the software that is controlling the DevC DMA to perform scatter-gather type operations by issuing multiple DMA commands but holding off the last transfer DONE interrupt until all of the PCAP transactions are done.

Setting the two LSBs of the source and destination address to 2'b01 indicates to the DevC DMA module the last DMA command of an overall transfer. The DMA controller uses this information to appropriately set the DMA DONE interrupt. For the last DMA command, the DMA DONE interrupt is triggered when both the AXI and PCAP interfaces are done. For all other DMA commands, the DMA DONE interrupt is set when the AXI transfers are done; however, there might still be on-going PCAP transfers. This distinction is made to allow overlapping AXI and PCAP transfers for all except the last DMA transfer.

## 6.4.7 JTAG Interfaces and Controllers

There are two JTAG controllers in the Zynq device: the TAP and DAP controllers. The test access port (TAP) controller can control the PL configuration process and other functions in the PL. Detailed information regarding the TAP controller can be found in [UG470, 7 Series FPGAs Configuration User Guide](#). The debug access port (DAP) controller is in the application processing unit (APU), see [Chapter 3, Application Processing Unit](#). Detailed DAP controller information can be found in [Chapter 27, JTAG and DAP Subsystem](#). There are two chaining modes to access these JTAG controllers: cascade and independent modes, as shown in [Figure 6-15, page 210](#). PL voltage is required to use a JTAG interface.

## Cascaded JTAG Chain Mode

The controllers are normally accessed using the cascaded JTAG chain mode. In cascade mode, both controllers are accessed using the PL JTAG interface pins; the TDI signal from the interface goes to the DAP controller. The TDO signal from the DAP controller is daisy chained to the TAP controller. The TDO signal from the TAP controller go to the JTAG interface. The DAP registers and data are the last to be shifted into the JTAG chain.

- DAP controller, then the TAP controller.
- PL configuration not required.
- Both controller must be enabled.
- Instructions and data must not adversely affect the unintended target.

## Individual JTAG Chain Mode

The individual JTAG chain mode connects the TAP controller to the PL JTAG interface and provides time for the user to configure the PL with a bitstream that routes the DAP controller signals to the EMIO JTAG interface on the SelectIO pins as shown in figure [Figure 6-15, page 210](#). The BootROM waits for the user-driven PL configuration to complete before it enables the DAP controller and continues with the boot process.

- TAP controller is accessed through the PL JTAG pins and is used to configure the PL.
- PL configuration (bitstream) is required to access the DAP controller.

In independent mode, the TAP controller behaves like the TAP controller in a Xilinx 7 series FPGA.

## EMIO PJTAG Interface

The PL must be configured with a bitstream to enable the EMIO PJTAG interface to connect to the DAP controller. The PL can be initialized by asserting the PROGRAM\_B signal and then loading the bitstream into the PL after the DONE signal is asserted. This can be done to enable the EMIO PJTAG interface to control the DAP controller in independent JTAG mode.

**Note:** This functionality is only supported on production silicon and requires for the system to be booted in independent JTAG boot mode. In this mode, the BootROM waits until the PL is self initialized, then enables the PS-PL level shifters, enables the PL JTAG interface, and issues the WFE instruction on the CPU.

**Note:** On our development boards, the PROGRAM\_B signal can be asserted using a push button. There is an LED to indicate when the DONE signal goes High.

## MIO PJTAG Interface

The DAP controller can interface to the MIO PJTAG interface using independent JTAG mode, but it requires that the FSBL/User code program the MIO multiplexer using the slcr.MIO\_PIN\_xx registers. The MIO PJTAG interface can be routed to one of four sets of pins as shown in [Table 2-4, page 52](#).

The TAP controller cannot program the MIO multiplexer. You must boot from a flash device (Quad-SPI, SD card, NAND or NOR) that includes FSBL/User code that configures the MIO



multiplexer for the MIO PJTAG interface. After the MIO multiplexer is programmed, the DAP controller is accessible using the MIO PJTAG interface.

### JTAG Enable/Disable

The DAP and TAP controllers are controlled by a few mechanisms.

- Cascade versus Independent mode
- Enable/disable DAP and TAP controllers
- Permanently disable JTAG

The JTAG connections can be enabled and disabled using the devcfg.CTRL [JTAG\_CHAIN\_DIS] bit. It is set = 1 to disable JTAG to protect the PL from unwanted JTAG accesses.

The DAP controller is enabled by setting the devcfg.CTRL [DAP\_EN] bit = 111. Any other value causes the DAP controller to be bypassed. This bit is lockable by setting the devcfg.LOCK [DBG\_LOCK] bit = 1. Once locked, it can only be unlocked with a POR reset.

Table 6-23: JTAG Requirements and Control

Function	DAP Controller	TAP Controller
Power requirements	PS and PL	PS and PL
PL configuration	Not required	Not required for Cascade mode. Required for Independent mode.
devcfg.CTRL [JTAG_CHAIN_DIS]	Must = 0	Must = 0
devcfg.CTRL [DAP_EN]	Must = 111	Must = 111 for Cascade mode. Don't care for Independent mode.
APB register space is unlocked with the wrong key	Disabled until POR reset	Not affected

The DAP and TAP controllers can be permanently disabled by blowing the JTAG Chain Disable eFuse. Once the eFuse is blown, the controllers can never be accessed again. The software can read the state of the eFuse bit using the devcfg.STATUS [EFUSE\_JTAG\_DIS] bit.

**Note:** If software attempts to unlock the APB register space in the DevC module without the proper key, then this disables the DAP controller until the next POR reset is issued. This condition can be detected by reading the devcfg.STATUS [ILLEGAL\_APB\_ACCESS] bit.

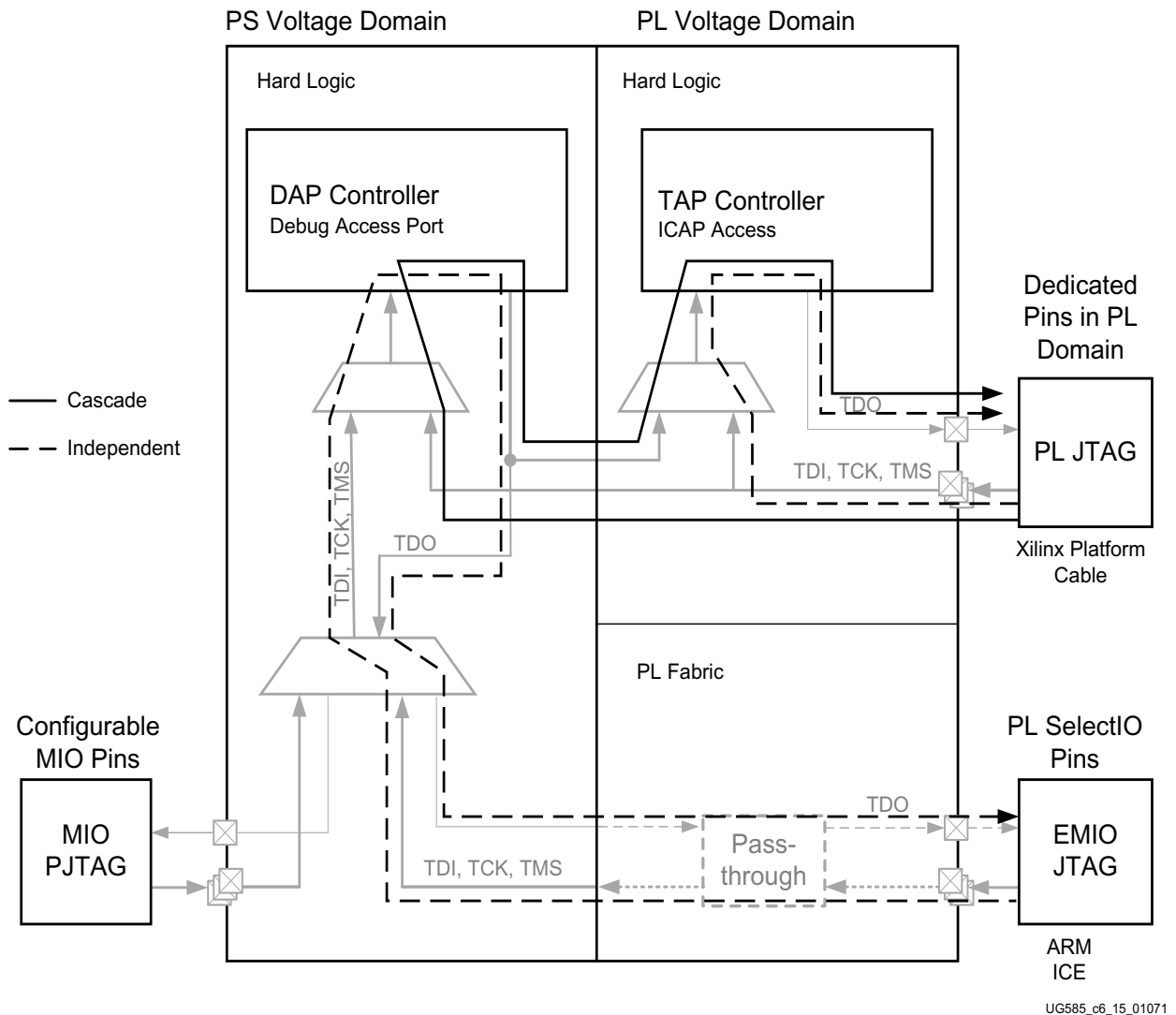


Figure 6-15: PS Cascade and Independent JTAG Chain Diagram

### JTAG Boot Mode

When the JTAG Boot mode is selected, the BootROM disables access to all security-related items, enables the JTAG port, and the CPU halts by executing the WFE instruction. It is your responsibility to manage downloading the boot image into OCM or DDR memory through the DAP controller before waking up the CPU and continuing the boot process.

JTAG Boot mode is always non-secure; the AES engine is disabled and encrypted images are not supported.

If the PS is booted separate from the PL, then the TAP controller instruction and data registers must be accounted for in the chain when data is shifted between TDI and TDO.

After the PS has booted, the PL can be configured or powered up and configured later.

## JTAG Boot Sequence

The JTAG boot and PS/PL configuration flows are shown in [Figure 6-15, page 210](#).

Here is the sequence:

1. PS and PL are powered-on; PS\_CLK is stable.
2. PS\_POR\_B reset deasserts.
3. BootROM begins to execute and determines the boot mode.
4. BootROM performs CRC self-check, if enabled.
5. BootROM disables all security features.
6. The PL JTAG interface is enabled:  
**Cascade:** JTAG chain is set to cascade; the DAP and TAP controllers are accessible.  
**Independent:** JTAG chain is set to independent mode; the TAP controller is accessible.
7. BootROM shuts down and leaves CPUs running the wait for event (WFE) instruction:  
**Cascade:** BootROM shuts down and releases system control to the JTAG interface for the TAP and DAP controllers.  
**Independent:** BootROM waits until the PL to initialized and then shuts down. The EMIO JTAG interface for the DAP controller must be routed through the PL using a bitstream to be operational.
8. User can access the DAP controller for PS system debug:  
**Cascade:** First device on the PL JTAG interface chain.  
**Independent:** Single device on the EMIO JTAG interface chain.
9. User can access the TAP controller to configure PL:  
**Cascade:** Second device on the PL JTAG interface chain.  
**Independent:** Single device on the PL JTAG interface chain.

---

## 6.5 Reference Section

This section includes content on these topics:

- [Section 6.5.1 Register Overview](#)
- [Section 6.5.2 PS Version and Device Revision](#)

## 6.5.1 Register Overview

Table 6-24 provides an overview of the device configuration registers.

Table 6-24: DevC and Boot Registers

Function	Description	Hardware Register	Type
Control and configuration	Control	devcfg.CTRL	Read/Write
	Sticky locks require POR to reset	devcfg.LOCK	R/Sticky Write
	Configuration	devcfg.CFG	Read/Write
DevC status	Interrupt status: PL init, done, DMA/AXI errors	devcfg.INT_STS	R + Clr or W
	Interrupt mask	devcfg.INT_MASK	Read/Write
	Status: eFuse, Init, Lockdown, PS, DevC DMA/FIFOs	devcfg.STATUS	Read-only
AXI-PCAP-DMA	DMA source address	devcfg.DMA_SRC_ADDR	Read/Write
	DMA destination address	devcfg.DMA_DST_ADDR	Read/Write
	DMA source length	devcfg.DMA_SRC_LEN	Read/Write
	DMA destination length	devcfg.DMA_DEST_LEN	Read/Write
Boot	Multi-Boot offset	devcfg.MULTIBOOT_ADDR	Read/Write
	Software ID register	devcfg.SW_ID	Read/Write
	Miscellaneous control	devcfg.MCTRL	Read/Write
	Reset Reason and Lockdown error code	slcr.REBOOT_STATUS	Read/Write
	Boot and PLL mode	slcr.BOOT_MODE	Read-only

## 6.5.2 PS Version and Device Revision

The device versions and revisions are hard coded into two read-only registers. Each device is a combination of the slcr.PSS\_IDCODE [DEVICE] and devcfg.MCTRL [PS\_VERSION] register bit fields shown in Xilinx Answer 57038 *Zynq-7000 AP SoC Devices - Silicon Revisions*.

This *Zynq-7000 All Programmable SoC Technical Reference Manual* contains information pertaining to production silicon (v3.1). The functionality of pre-production devices that is different from production devices is described in Xilinx Answer 47916 *Zynq-7000 AP SoC Devices - Silicon Revision Differences*.

# Interrupts

## 7.1 Environment

This chapter describes the system-level interrupt environment and the functions of the interrupt controller (see Figure 7-1). The PS is based on ARM architecture, utilizing two Cortex-A9 processors (CPUs) and the GIC pl390 interrupt controller. The interrupt structure is closely associated with the CPUs and accepts interrupts from the I/O peripherals (IOP) and the programmable logic (PL). This chapter includes these key topics:

- Private, shared and software interrupts
- GIC functionality
- Interrupt prioritization and handling

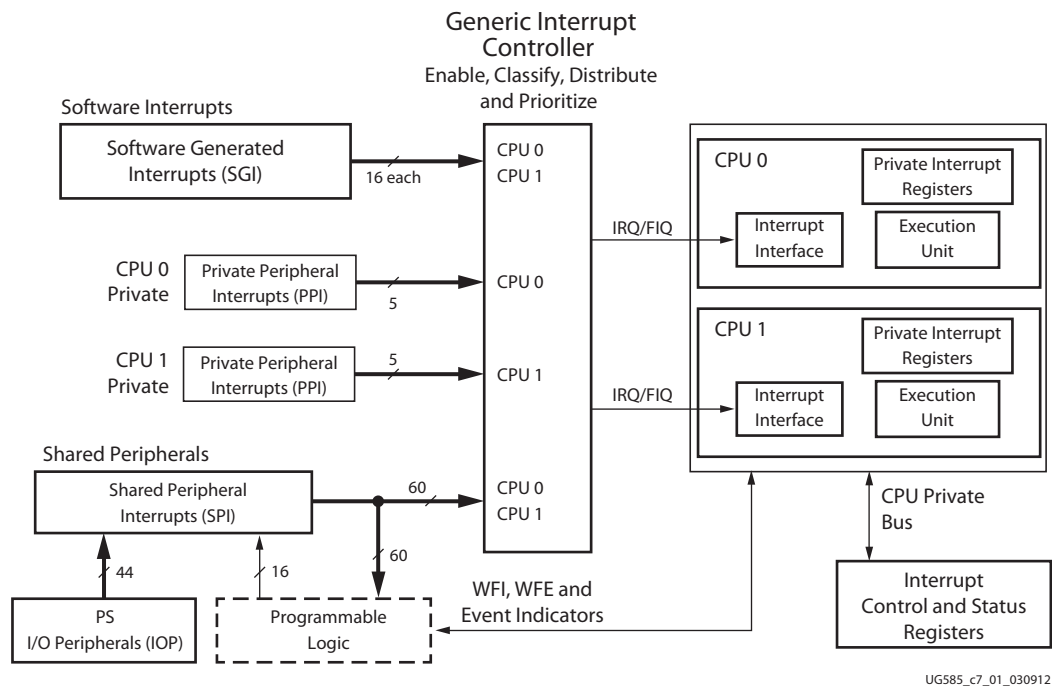


Figure 7-1: System-Level Block Diagram

## 7.1.1 Private, Shared and Software Interrupts

Each CPU has a set of private peripheral interrupts (PPIs) with private access using banked registers. The PPIs include the global timer, private watchdog timer, private timer, and FIQ/IRQ from the PL. Software generated interrupts (SGIs) are routed to one or both CPUs. The SGIs are generated by writing to the registers in the generic interrupt controller (GIC), refer to section [7.3 Register Overview](#). The shared peripheral interrupts (SPIs) are generated by the various I/O and memory controllers in the PS and PL. They are routed to either or both CPUs. The SPI interrupts from the PS peripherals are also routed to the PL.

## 7.1.2 Generic Interrupt Controller (GIC)

The generic interrupt controller (GIC) is a centralized resource for managing interrupts sent to the CPUs from the PS and PL. The controller enables, disables, masks, and prioritizes the interrupt sources and sends them to the selected CPU (or CPUs) in a programmed manner as the CPU interface accepts the next interrupt. In addition, the controller supports security extension for implementing a security-aware system.

The controller is based on the ARM Generic Interrupt Controller Architecture version 1.0 (GIC v1), non-vectored.

The registers are accessed via the CPU private bus for fast read/write response by avoiding temporary blockage or other bottlenecks in the interconnect.

The interrupt distributor centralizes all interrupt sources before dispatching the one with the highest priority to the individual CPUs. The GIC ensures that an interrupt targeted to several CPUs can only be taken by one CPU at a time. All interrupt sources are identified by a unique interrupt ID number. All interrupt sources have their own configurable priority and list of targeted CPUs.

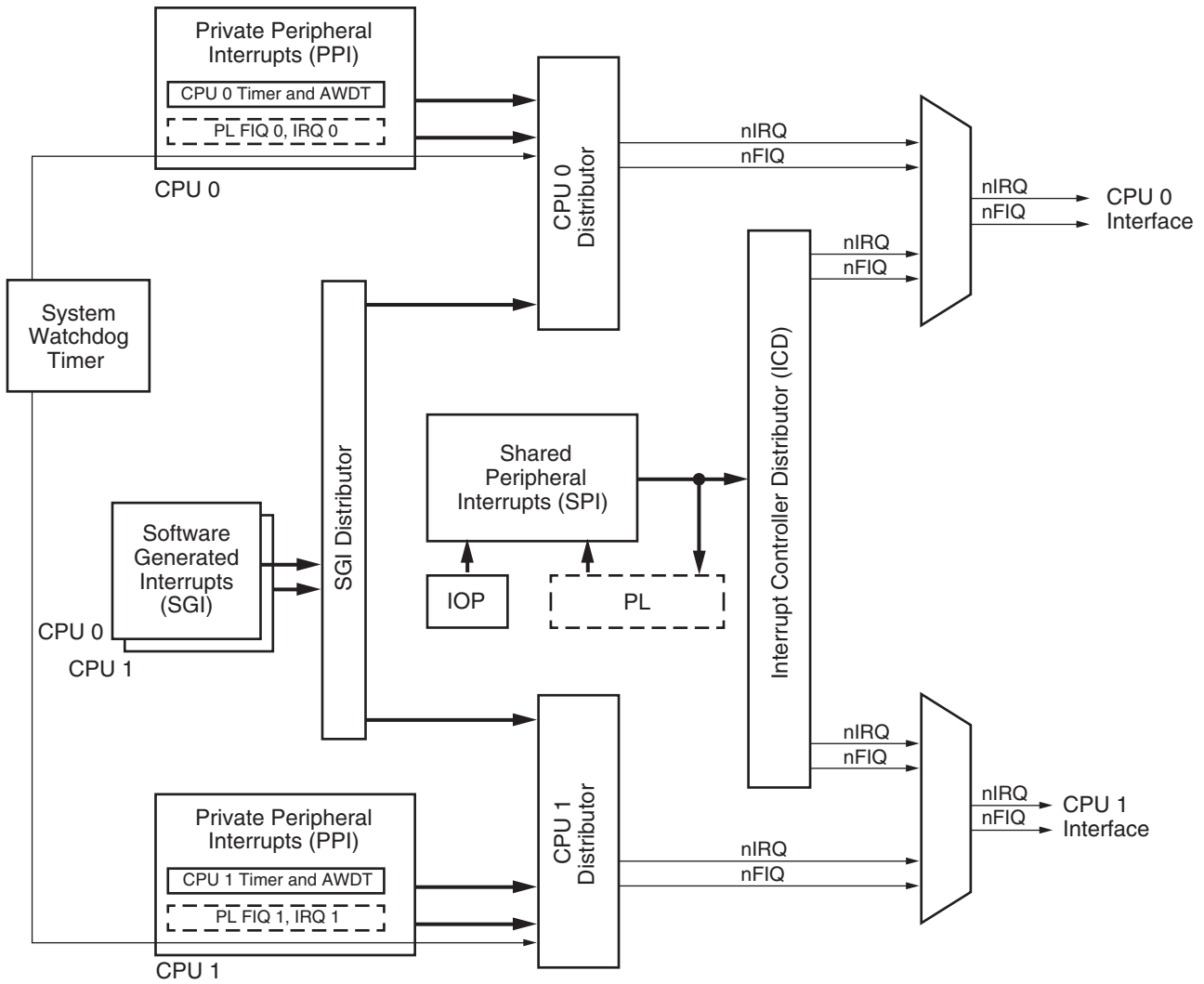
## 7.1.3 Resets and Clocks

The interrupt controller is reset by the reset subsystem by writing to the PERI\_RST bit of the A9\_CPU\_RST\_CTRL register in the SLCR. The same reset signal also resets the CPU private timers and private watchdog timers (AWDT). Upon reset, all interrupts that are pending or being serviced are ignored.

The interrupt controller operates with the CPU\_3x2x clock (half the CPU frequency).

## 7.1.4 Block Diagram

The shared peripheral interrupts are generated from various subsystems that include the I/O peripherals in the PS and logic in the PL. The interrupt sources are illustrated in [Figure 7-2](#).



UG585\_c7\_02\_012813

Figure 7-2: Interrupt Controller Block Diagram

### 7.1.5 CPU Interrupt Signal Pass-through

The IRQ/FIQ signals from the PL can be routed through the GIC or bypass it using the pass-through multiplexer shown in Figure 7-3. This logic is instantiated in both CPUs. The pass-through mode is enabled by disabling the signaling of the Secure and Non-secure interrupts for the GIC using the

mpcore.ICCICR [1:0] bits. If both of these bits for a particular CPU are = 0, then the IRQ/FIQ interrupt signals from the PL are routed to that CPU.

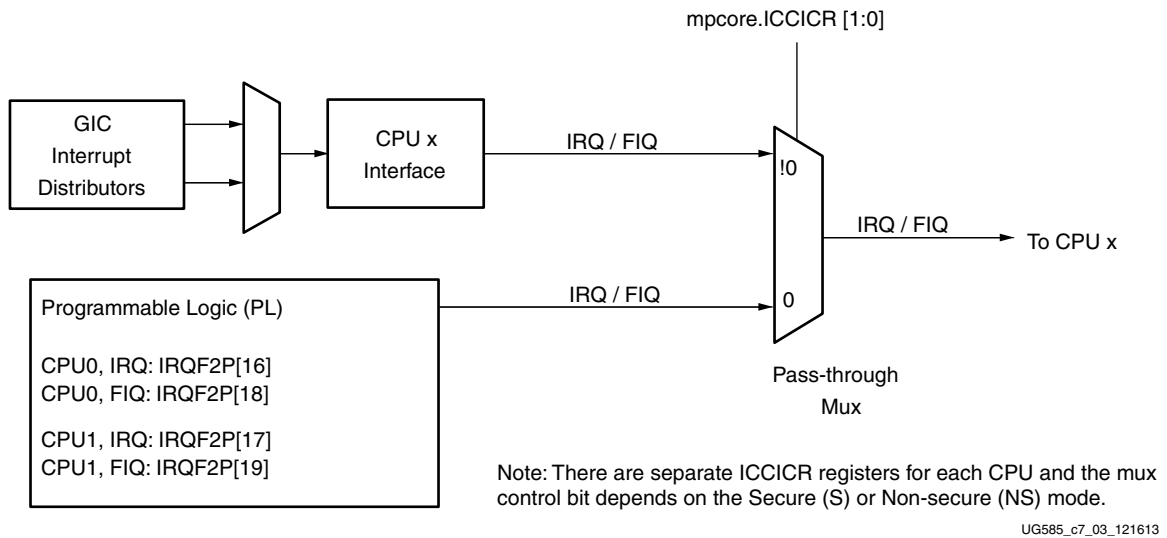


Figure 7-3: Legacy IRQ/FIQ Interrupt Pass-Through Multiplexer

## 7.2 Functional Description

### 7.2.1 Software Generated Interrupts (SGI)

Each CPU can interrupt itself, the other CPU, or both CPUs using a software generated interrupt (SGI). There are 16 software generated interrupts (see Table 7-1). An SGI is generated by writing the SGI interrupt number to the ICDSGIR register and specifying the target CPU(s). This write occurs via the CPU's own private bus. Each CPU has its own set of SGI registers to generate one or more of the 16 software generated interrupts. The interrupts are cleared by reading the ICCIAR (Interrupt Acknowledge) register or writing a 1 to the corresponding bits of the ICDICPR (Interrupt Clear-Pending) register.

All SGIs are edge triggered. The sensitivity types for SGIs are fixed and cannot be changed; the ICDICFR0 register is read-only, since it specifies the sensitivity types of all the 16 SGIs.

Table 7-1: Software Generated Interrupts (SGI)

IRQ ID#	Name	SGI#	Type	Description
0	Software 0	0	Rising edge	A set of 16 interrupt sources that are private to each CPU that can be routed to up to 16 common interrupt destinations where each destination can be one or more CPUs.
1	Software 1	1	Rising edge	
~	...	~	...	
15	Software 15	15	Rising edge	



## 7.2.2 CPU Private Peripheral Interrupts (PPI)

Each CPU connects to a private set of five peripheral interrupts. The PPIs are listed in [Table 7-2](#).

The sensitivity types for PPIs are fixed and cannot be changed; therefore, the ICDICFR1 register is read-only, since it specifies the sensitivity types of all the 5 PPIs. Note that the fast interrupt (FIQ) signal and the interrupt (IRQ) signal from the PL are inverted and then sent to the interrupt controller. Therefore, they are active High at the PS-PL interface, although the ICDICFR1 register reflects them as active Low level.

Table 7-2: Private Peripheral Interrupts (PPI)

IRQ ID#	Name	PPI#	Type	Description
26:16	Reserved	~	~	Reserved
27	Global Timer	0	Rising edge	Global timer
28	nFIQ	1	Active Low level (active High at PS-PL interface)	Fast interrupt signal from the PL: CPU0: IRQF2P[18] CPU1: IRQF2P[19]
29	CPU Private Timer	2	Rising edge	Interrupt from private CPU timer
30	AWDT{0, 1}	3	Rising edge	Private watchdog timer for each CPU
31	nIRQ	4	Active Low level (active High at PS-PL interface)	Interrupt signal from the PL: CPU0: IRQF2P[16] CPU1: IRQF2P[17]

## 7.2.3 Shared Peripheral Interrupts (SPI)

A group of approximately 60 interrupts from various modules can be routed to one or both of the CPUs or the PL. The interrupt controller manages the prioritization and reception of these interrupts for the CPUs.

Except for IRQ #61 through #68, all interrupt sensitivity types are fixed by the requesting sources and cannot be changed. The GIC must be programmed to accommodate this. The boot ROM does not program these registers; therefore the SDK device drivers must program the GIC to accommodate these sensitivity types.

For an interrupt of level sensitivity type, the requesting source must provide a mechanism for the interrupt handler to clear the interrupt after the interrupt has been acknowledged. This requirement applies to any IRQF2P[n] (from PL) with a high level sensitivity type.

For an interrupt of rising edge sensitivity, the requesting source must provide a pulse wide enough for the GIC to catch. This is normally at least 2 CPU\_2x3x periods. This requirement applies to any IRQF2P[n] (from PL) with a rising edge sensitivity type.

The ICDICFR2 through ICDICFR5 registers configure the interrupt types of all the SPIs. Each interrupt has a 2-bit field, which specifies sensitivity type and handling model.

The SPI interrupts are listed in [Table 7-3](#).

**Table 7-3: PS and PL Shared Peripheral Interrupts (SPI)**

Source	Interrupt Name	IRQ ID#	Status Bits (mpcore Registers)	Required Type	PS-PL Signal Name	I/O
APU	CPU 1, 0 (L2, TLB, BTAC)	33:32	spi_status_0[1:0]	Rising edge	~	~
	L2 Cache	34	spi_status_0[2]	High level	~	~
	OCM	35	spi_status_0[3]	High level	~	~
Reserved	~	36	spi_status_0[3]	~	~	~
PMU	PMU [1,0]	38, 37	spi_status_0[6:5]	High level	~	~
XADC	XADC	39	spi_status_0[7]	High level	~	~
DevC	DevC	40	spi_status_0[8]	High level	~	~
SWDT	SWDT	41	spi_status_0[9]	Rising edge	~	~
Timer	TTC 0	44:42	spi_status_0[12:10]	High level	~	~
DMAC	DMAC Abort	45	spi_status_0[13]	High level	IRQP2F[28]	Output
	DMAC [3:0]	49:46	spi_status_0[17:14]	High level	IRQP2F[23:20]	Output
Memory	SMC	50	spi_status_0[18]	High level	IRQP2F[19]	Output
	Quad SPI	51	spi_status_0[19]	High level	IRQP2F[18]	Output
Reserved	~	~	~	Always driven Low	IRQP2F[17]	Output
IOP	GPIO	52	spi_status_0[20]	High level	IRQP2F[16]	Output
	USB 0	53	spi_status_0[21]	High level	IRQP2F[15]	Output
	Ethernet 0	54	spi_status_0[22]	High level	IRQP2F[14]	Output
	Ethernet 0 Wake-up	55	spi_status_0[23]	Rising edge	IRQP2F[13]	Output
	SDIO 0	56	spi_status_0[24]	High level	IRQP2F[12]	Output
	I2C 0	57	spi_status_0[25]	High level	IRQP2F[11]	Output
	SPI 0	58	spi_status_0[26]	High level	IRQP2F[10]	Output
	UART 0	59	spi_status_0[27]	High level	IRQP2F[9]	Output
CAN 0	60	spi_status_0[28]	High level	IRQP2F[8]	Output	
PL	PL [2:0]	63:61	spi_status_0[31:29]	Rising edge/ High level	IRQF2P[2:0]	Input
	PL [7:3]	68:64	spi_status_1[4:0]	Rising edge/ High level	IRQF2P[7:3]	Input
Timer	TTC 1	71:69	spi_status_1[7:5]	High level	~	~
DMAC	DMAC[7:4]	75:72	spi_status_1[11:8]	High level	IRQP2F[27:24]	Output

Table 7-3: PS and PL Shared Peripheral Interrupts (SPI) (Cont'd)

Source	Interrupt Name	IRQ ID#	Status Bits (mpcore Registers)	Required Type	PS-PL Signal Name	I/O
IOP	USB 1	76	spi_status_1[12]	High level	IRQP2F[7]	Output
	Ethernet 1	77	spi_status_1[13]	High level	IRQP2F[6]	Output
	Ethernet 1 Wake-up	78	spi_status_1[14]	Rising edge	IRQP2F[5]	Output
	SDIO 1	79	spi_status_1[15]	High level	IRQP2F[4]	Output
	I2C 1	80	spi_status_1[16]	High level	IRQP2F[3]	Output
	SPI 1	81	spi_status_1[17]	High level	IRQP2F[2]	Output
	UART 1	82	spi_status_1[18]	High level	IRQP2F[1]	Output
	CAN 1	83	spi_status_1[19]	High level	IRQP2F[0]	Output
PL	PL [15:8]	91:84	spi_status_1[27:20]	Rising edge/ High level	IRQF2P[15:8]	Input
SCU	Parity	92	spi_status_1[28]	Rising edge	~	~
Reserved	~	95:93	spi_status_1[31:29]	~	~	~

## 7.2.4 Interrupt Sensitivity, Targeting and Handling

There are three types of interrupts that come into the GIC as explained in section 7.2 [Functional Description](#): SPI, PPI and SGI. In a general sense, the interrupt signals includes a sensitivity setting, whether one or both CPUs handle the interrupt, and which CPU or CPUs are targeted: zero, one, or both. However, the functionality of most interrupt signals include fixed settings, while others are partially programmable.

There are two sets of control registers for sensitivity, handling, and targeting:

- mpcore.ICDICFR[5:0] registers: sensitivity and handling. See [Figure 7-4](#).
- mpcore.ICDIPTR[23:0] registers: targeting CPU(s). See [Figure 7-5](#).

### Shared Peripheral Interrupts (SPI)

The SPI interrupts can be targeted to any number of CPUs, but only one CPU handles the interrupt. If an interrupt is targeted to both CPUs and they respond to the GIC at the same time, the MPcore ensures that only one of the CPUs reads the active interrupt ID#. The other CPU receives the Spurious ID# 1023 interrupt or the next pending interrupt, depending on the timing. This removes the requirement for a lock in the interrupt service routine. Targeting the CPU is done by the ICDIPTR [23:8] registers. The sensitivity of each SPI interrupt must be programmed to match those listed in [Table 7-3](#), PS and PL Shared Peripheral Interrupts (SPI). The sensitivity is programmed using the ICDICFR [5:2] registers.

### Private Peripheral Interrupts (PPI)

Each CPU has its own separate PPI interrupts with fixed functionality; the sensitivity, handling, and targeting of these interrupts are not programmable. Each interrupt only goes to its own CPU and is

handled by that CPU. The ICDICFR [1] register is read-only and the ICDIPTR [5:2] registers are essentially reserved.

### Software Generated Interrupts (SGI)

The SGI interrupts are always edge sensitive and are generated when software writes the interrupt number to ICDSGIR register. All of the targeted CPUs defined in the ICDIPTR [23:8] must handle the interrupt in order to clear it. See Figure 7-4 and Figure 7-5.

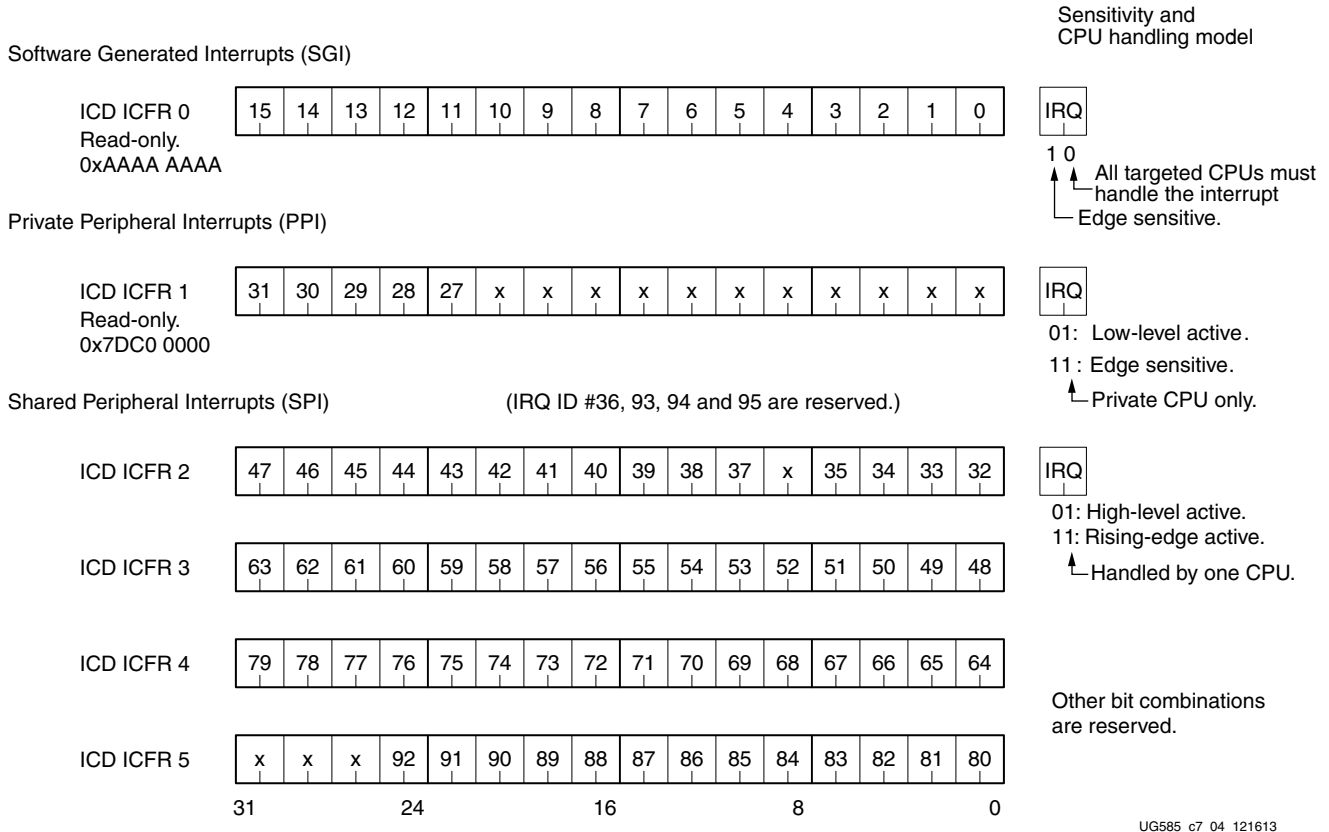


Figure 7-4: Interrupts ICDICFR Register for Sensitivity and Handling

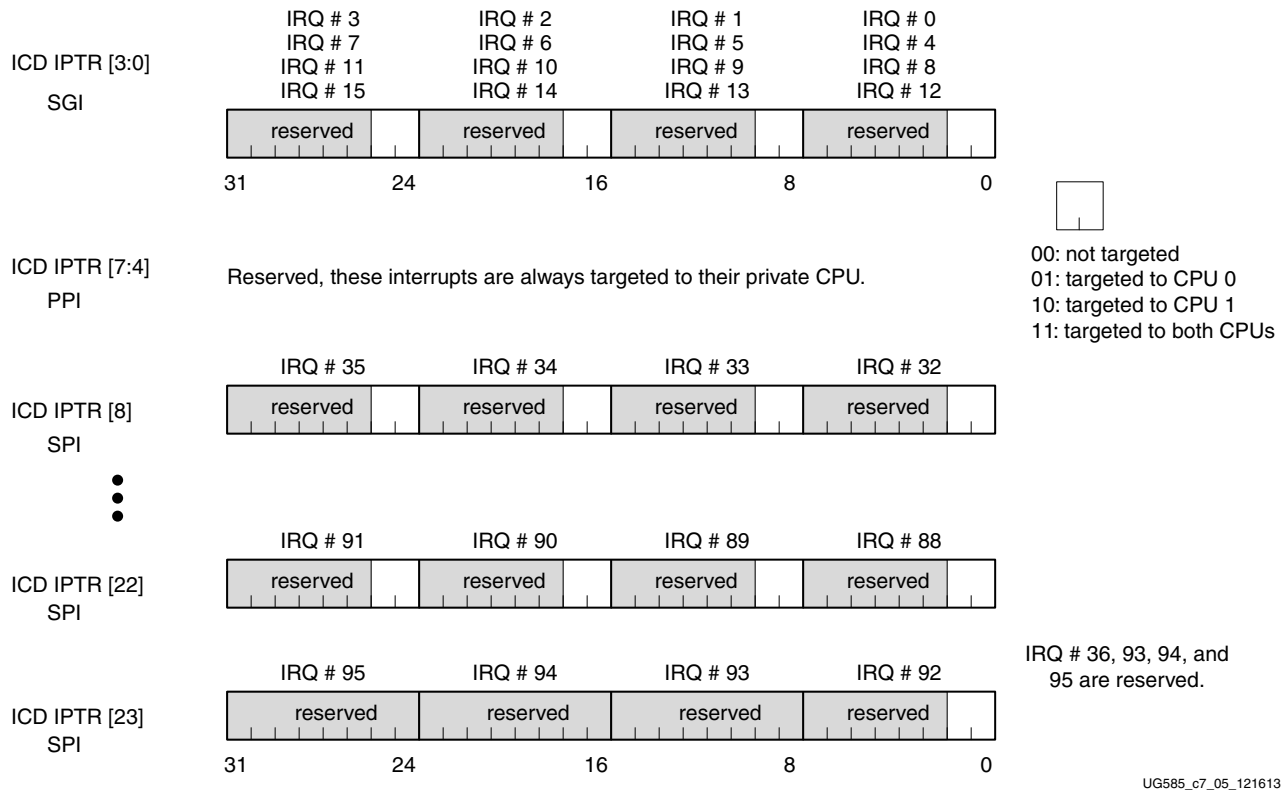


Figure 7-5: Interrupts ICDIPTR Register for Targeting CPU

### 7.2.5 Wait for Interrupt Event Signal (WFI)

The CPU can go into a wait state where it waits for an interrupt (or event) signal to be generated. The wait for interrupt signal that is sent to the PL is described in [Chapter 3, Application Processing Unit](#).

## 7.3 Register Overview

The ICC and ICD registers are part of the pl390 GIC register set. There are 60 SPI interrupts. This is far fewer than what the pl390 can support, so there are far fewer interrupt enable, status, prioritization and processor target registers in the ICD than is possible for the pl390. A summary of the ICC and ICD registers are listed in [Table 7-4](#)

Table 7-4: Interrupt Controller Register Overview

Name	Register Description	Write Protection Lock
<b>Interrupt Controller CPU (ICC)</b>		
ICCICR	CPU interface control	Yes, except EnableNS
ICCPMR	Interrupt priority mask	~
ICCBPR	Binary point for interrupt priority	~

Table 7-4: Interrupt Controller Register Overview (Cont'd)

Name	Register Description	Write Protection Lock
ICCIAR	Interrupt acknowledge	~
ICCEOIR	End of interrupt	~
ICCRPR	Running priority	~
ICCHPIR	Highest pending interrupt	~
ICCABPR	Aliased non-secure binary point	~
<b>Interrupt Controller Distributor (ICD)</b>		
ICDDCR	Secure/non-secure mode select	Yes
ICDICTR, ICDIIDR	Controller implementation	~
ICDISR [2:0]	Interrupt security	Yes
ICDISER [2:0], ICDICER [2:0]	Interrupt set-enable and clear-enable	Yes
ICDISPR [2:0], ICDICPR [2:0]	Interrupt set-pending and clear-pending	Yes
ICDABR [2:0]	Interrupt active	~
ICDIPR [23:0]	Interrupt priority, 8-bit fields. Only the upper 7 bits of each 8-bit field are writable; the lowest bit is always 0. This means the AP SoC supports 128 priority levels, all even values.	Yes
ICDIPTR [23:0]	Interrupt processor targets, 8-bit fields.	Yes
ICDICFR [5:0]	Interrupt sensitivity type, 2-bit fields (level/edge, handling model)	Yes
<b>PPI and SPI Status</b>		
PPI_STATUS	PPI status: Corresponds to ICDISR[0], ICDISER[0], ICDICER[0], ICDISPR[0], ICDICPR[0], and ICDABR[0] registers (security, enable, pending and active).	~
SPI_STATUS [2:1]	SPI status: Corresponds to ICDISR[2:1], ICDISER[2:1], ICDICER[2:1], ICDISPR[2:1], ICDICPR[2:1], and ICDABR[2:1] registers (security, enable, pending and active).	~
<b>Software Generated Interrupts (SGI)</b>		
ICDSGIR	Software-generated interrupts	~
<b>Disable Write Accesses (SLCR register)</b>		
APU_CTRL	CFGSDISABLE bit disables some write accesses	~

### 7.3.1 Write Protection Lock

The interrupt controller provides the facility to prevent write accesses to critical configuration registers. This is done by writing a one to the APU\_CTRL[CFGSDISABLE] bit. The APU\_CTRL register is part of the AP SoC's System Level Control register set, SLCR. This controls the write behavior for the secure interrupt control registers.



**RECOMMENDED:** *If the user wants to set the CFGSDISABLE bit, it is recommended that this be done during the user software boot process which occurs after the software has configured the Interrupt*

*Controller registers. The CFGSDISABLE bit can only be cleared by a power-on reset (POR.) After the CFGSDISABLE bit is set, it changes the protected register bits to read-only and therefore the behavior of these secure interrupts cannot be changed, even in the presence of rogue code executing in the secure domain.*

---

## 7.4 Programming Model

### 7.4.1 Interrupt Prioritization

All of the interrupt requests (PPI, SGI and SPI) are assigned a unique ID number. The controller uses the ID number to arbitrate. The interrupt distributor holds the list of pending interrupts for each CPU, and then selects the highest priority interrupt before issuing it to the CPU interface. Interrupts of equal priority are resolved by selecting the lowest ID.

The prioritization logic is physically duplicated to enable the simultaneous selection of the highest priority interrupt for each CPU. The interrupt distributor holds the central list of interrupts, processors and activation information, and is responsible for triggering software interrupts to the CPUs.

SGI and PPI distributor registers are banked to provide a separate copy for each connected processor. Hardware ensures that an interrupt targeting several CPUs can only be taken by one CPU at a time.

The interrupt distributor transmits to the CPU interfaces the highest pending interrupt. It receives back the information that the interrupt has been acknowledged, and can then change the status of the corresponding interrupt. Only the CPU that acknowledges the interrupt can end that interrupt.

### 7.4.2 Interrupt Handling

The response of the GIC to a pending interrupt when an IRQ line de-asserts is described in the ARM document: *IHI0048B\_gic\_architecture\_specification.pdf* (see [Appendix A, Additional Resources](#)). See the Note in Section 1.4.2 with additional information in Section 3.2.4.

If the interrupt is pending in the GIC and IRQ is de-asserted, the interrupt in the GIC becomes inactive (and the CPU never sees it).

If the interrupt is active in the GIC (because the CPU interface has acknowledged the interrupt), then the software ISR determines the cause by checking the GIC registers first and then polling the I/O Peripheral interrupt status registers.

### 7.4.3 ARM Programming Topics

The ARM GIC architecture specification includes these programming topics:

- GIC register access

- Distributor and CPU Interfaces
- Affects of the GIC security extensions
- PU Interface registers
- Preserving and restoring controller state

## 7.4.4 Legacy Interrupts and Security Extensions

When the legacy interrupts (IRQ, FIQ) are used, and an interrupt handler accesses both IRQs and FIQs in secure mode (via ICCICR[AckCtl]=1), race conditions occasionally occur when reading the interrupt IDs. There is also a risk of seeing FIQ IDs in the IRQ handler, as the GIC only knows what security state the handler is reading from, not which type of handler.

There are two workable solutions:

- Only signal IRQs to a re-entrant IRQ handler and use the preemption feature in the GIC.
- Use FIQ and IRQ with ICCICR[AckCtl]=0 and use the TLB tables to handle IRQ in non-secure mode, and handle FIQ in secure mode.



# Timers

---

## 8.1 Introduction

Each Cortex-A9 processor has its own private 32-bit timer and 32-bit watchdog timer. Both processors share a global 64-bit timer. These timers are always clocked at 1/2 of the CPU frequency (CPU\_3x2x).

On the system level, there is a 24-bit watchdog timer and two 16-bit triple timer/counters. The system watchdog timer is clocked at 1/4 or 1/6 of the CPU frequency (CPU\_1x), or can be clocked by an external signal from an MIO pin or from the PL. The two triple timers/counters are always clocked at 1/4 or 1/6 of the CPU frequency (CPU\_1x), and are used to count the widths of signal pulses from an MIO pin or from the PL.

### 8.1.1 System Diagram

The relationships of the system timers are shown in [Figure 8-1](#).

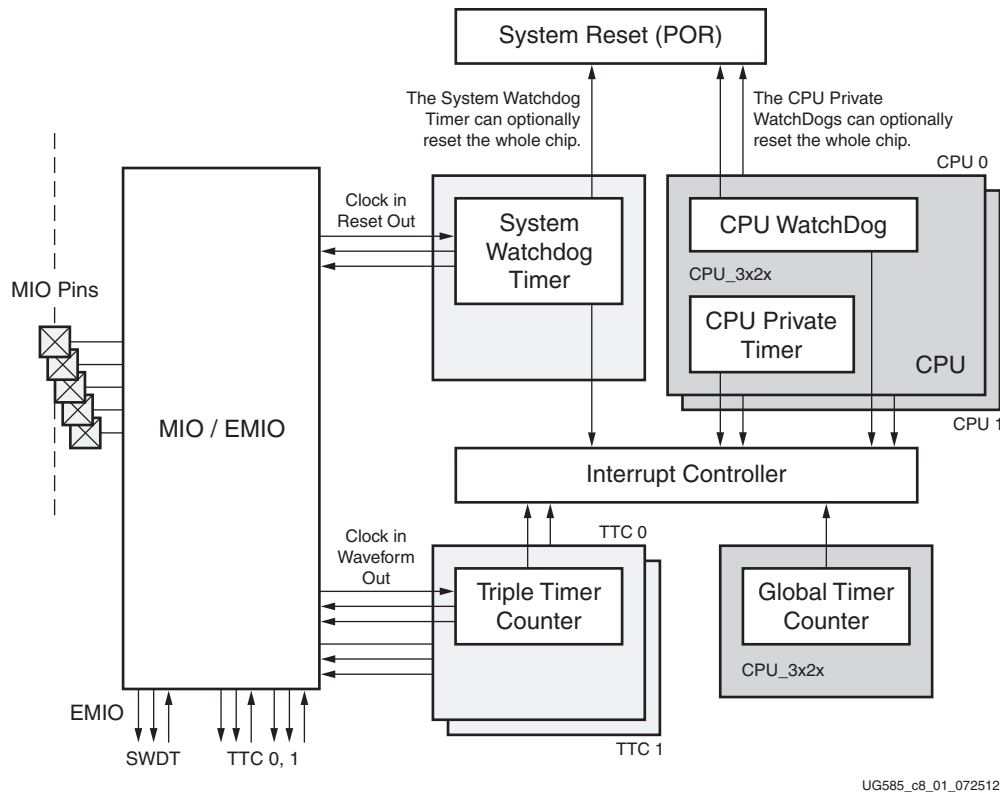


Figure 8-1: System View

### 8.1.2 Notices

#### 7z010 CLG225 Device

The 7z010 CLG225 device supports 32 MIO pins (not 54). This is shown in the MIO table in section [2.5.4 MIO-at-a-Glance Table](#). The 7z010 CLG225 device restricts the available MIO pins so connections through the EMIO might need to be considered. All of the 7z010 CLG225 device restrictions are listed in section [1.1.3 Notices](#).

## 8.2 CPU Private Timers and Watchdog Timers

The CPU private timers and watchdog timers are fully documented in the *Cortex-A9 MPCore Technical Requirements Document*, sections 4.1 and 4.2 (see [Appendix A, Additional Resources](#)).

Both the timer and watchdog blocks have the following features:

- 32-bit counter that generates an interrupt when it reaches zero
- 8-bit prescaler to enable better control of the interrupt period
- Configurable single-shot or auto-reload modes
- Configurable starting values for the counter

### 8.2.1 Clocking

All private timers and watchdog timers are always clocked at 1/2 of the CPU frequency (CPU\_3x2x).

### 8.2.2 Interrupt to PS Interrupt Controller

The interrupts sent to the interrupt controller are described in section [7.2.2 CPU Private Peripheral Interrupts \(PPI\)](#).

### 8.2.3 Resets

The time and watchdog resets are sent to the PS reset subsystem, see section [26.3 Reset Effects](#).

### 8.2.4 Register Overview

A register overview of the CPU private and watchdog timers is provided in [Table 8-1](#).

Table 8-1: CPU Private Timers Register Overview

Function	Name	Overview
<b>CPU Private Timers</b>		
Reload and current values	Timer Load Timer Counter	Values to be reloaded into the decrementer. Current value of the decrementer.
Control and interrupt	Timer Control Timer Interrupt	Enable, auto reload, IRQ, prescaler, interrupt status.
<b>CPU Private Watchdogs (AWDT 0 and 1)</b>		
Reload and current values	Watchdog Load Watchdog Counter	Values to be reloaded into the decrementer. Current value of the decrementer.
Control and interrupt	Watchdog Control Watchdog Interrupt	Enable, Auto reload, IRQ, prescaler, interrupt status. (this register cannot disable watchdog)

Table 8-1: CPU Private Timers Register Overview (Cont'd)

Function	Name	Overview
Reset status	Watchdog Reset Status	Reset status as a result of watchdog reaching 0. Cleared with POR only, so SW can tell if the reset was caused by watchdog.
Disable	Watchdog Disable	Disable watchdog through a sequence of writes of two specific words.

## 8.3 Global Timer (GT)

The Global Timer is fully documented in the *Cortex-A9 MPCore Technical Requirements Document*, sections 4.3 and 4.4 (see [Appendix A, Additional Resources](#)). The global timer is a 64-bit incrementing counter with an auto-incrementing feature. The global timer is memory mapped in the same address space as the private timers. The global timer is accessed at reset in secure state only. The global timer is accessible to all Cortex-A9 processors. Each Cortex-A9 processor has a 64-bit comparator that is used to assert a private interrupt when the global timer has reached the comparator value.

### 8.3.1 Clocking

The GTC is always clocked at 1/2 of the CPU frequency (CPU\_3x2x).

### 8.3.2 Register Overview

A register overview of the GTC is provided in [Table 8-2](#).

Table 8-2: Global Timer Register Overview

Function	Name	Overview
<b>Global Timer (GTC)</b>		
Current values	Global Timer Counter	Current value of the incrementer
Control and interrupt	Global Timer Control Global Interrupt	Enable timer, enable comparator, IRQ, auto-increment, interrupt status
Comparator	Comparator Value Comparator Increment	Current value of the comparator Increment value for the comparator
	Global Timer Disable	Disable watchdog through a sequence of writes of two specific words

## 8.4 System Watchdog Timer (SWDT)

In addition to the two CPU private watchdog timers, there is a system watchdog timer (SWDT) for signaling additional catastrophic system failure, such as a PS PLL failure. Unlike the AWDT, the SWDT can run off the clock from an external device or the PL, and provides a reset output to an external device or the PL.

### 8.4.1 Features

Key features of the available timers/counters are as follows:

- An internal 24-bit counter
- Selectable clock input from:
  - Internal PS bus clock (CPU\_1x)
  - Internal clock (from PL)
  - External clock (from MIO)
- On timeout, outputs one or a combination of:
  - System interrupt (PS)
  - System reset (PS, PL, MIO)
- Programmable timeout period:
  - Timeout range 32,760 to 68,719,476,736 clock cycles (330  $\mu$ s to 687.2s at 100 MHz)
- Programmable output signal duration on timeout:
  - System interrupt pulse 4 to 32 clock cycles (40 ns to 320 ns at 100 MHz)

## 8.4.2 Block Diagram

A block diagram of the SWDT is shown in [Figure 8-2](#).

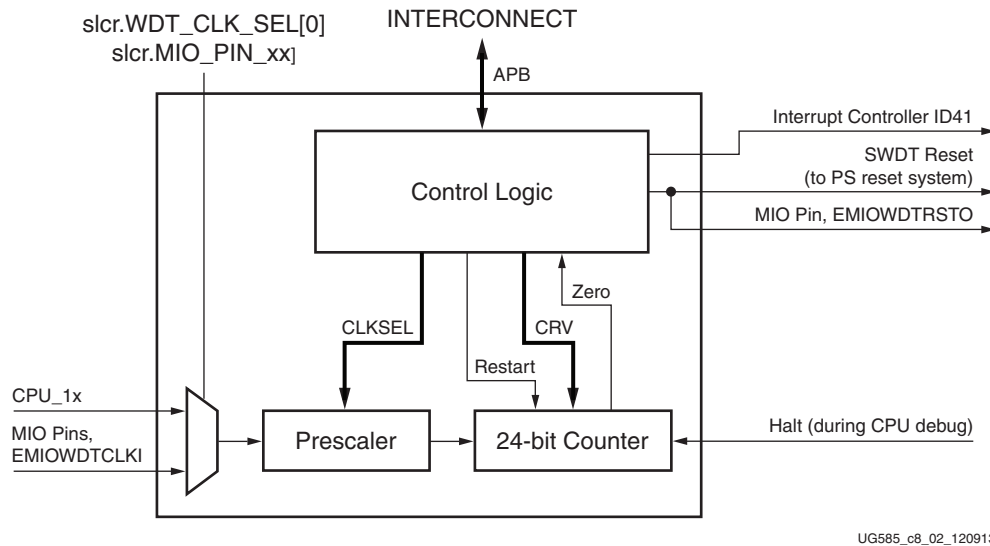


Figure 8-2: System Watchdog Timer Block Diagram

Notes relevant to [Figure 8-2](#):

- SLCR programmable registers (WDT\_CLK\_SEL, MIO control) select the clock input.
- SWDT programmable registers set the values for CLKSEL and CRV.
- Signal *restart* causes the 24-bit counter to reload the CRV values, and restart counting.
- Signal *halt* causes the counter to halt during CPU debug (same behavior as AWDT).

## 8.4.3 Functional Description

The control logic block has an APB interface connected to the system interconnect. Each write data received from the APB has a key field which must match the key of the register in order to be able to write to the register.

The Zero Mode register controls the behavior of the SWDT when its internal 24-bit counter reaches zero. Upon receiving a *zero* signal, the control logic block asserts the interrupt output signal for IRQLN clock cycles if both WDEN and IRQEN are set, and also asserts the reset output signals for approximately one CPU\_1x cycle if WDEN is set. The 24-bit counter then stays at zero until it is restarted.

The Counter Control register sets the timeout period, by setting reload values in `swdt.CONTROL[CLKSET]` and `swdt.CONTROL[CRV]` to control the prescaler and the 24-bit counter.

The Restart register is used to restart the counting process. Writing to this register with a matched key causes the prescaler and the 24-bit counter to reload the values from CRV signals.

The Status register shows whether the 24-bit counter reaches zero. Regardless of the WDEN bit in the Zero Mode register, the 24-bit counter always keeps counting down to zero if it is not zero and the selected clock source is present. Once it reaches zero, the WDZ bit of the Status register is set and remains set until the 24-bit counter is restarted.

The prescaler block divides down the selected clock input. The CLKSEL signal is sampled at every rising clock edge.

The internal 24-bit counter counts down to zero and stays at zero until it is restarted. While the counter is at zero, the zero output signal is High.

## Interrupt to PS Interrupt Controller

The pulse length from the SWDT (four CPU\_1x clock cycles) is sufficient for the interrupt controller to capture the interrupt using rising-edge sensitivity.

## Reset

The watchdog reset is sent to the PS reset subsystem. See section [26.3 Reset Effects](#).

## 8.4.4 Register Overview

A register overview of the SWDT is provided in [Table 8-3](#).

*Table 8-3: System Watchdog Timer Register Overview*

Function	Name	Overview
Zero mode	swdt.MODE	Enable SWDT, enable interrupt and reset outputs on timeout, set output pulse lengths.
Reload values	swdt.CONTROL	Set the reload values for prescaler and 24-bit counter on timeout.
Restart	swdt.RESTART	Cause the prescaler and the 24-bit counter to reload and restart.
Status	swdt.STATUS	Indicates watchdog reaching zero.

## 8.4.5 Programming Model

### System Watchdog Timer Enable Sequence

1. Select clock input source using the slcr.WDT\_CLK\_SEL[SEL] bit:

Ensure that the SWDT is disabled (swdt.MODE[WDEN] = 0) and the clock input source to be selected is running before proceeding with this step. Changing the clock input source when the SWDT is enabled results in unpredictable behavior. Changing the clock input source to a non-running clock results in APB access hang.

2. Set the timeout period (Counter Control register):

The swdt.CONTROL[CKEY] field must be 0x248 to be able to write this register.

3. Enable the counter; enable output pulses; set up output pulse lengths (Zero Mode register):  
The `swdt.MODE[ZKEY]` field must be `0xABC` to be able to write this register. Ensure that `IRQLN` meets the specified minimum values.
4. To run the SWDT with a different setting, disable the timer first (`swdt.MODE[ZKEY]` bit). Then repeat steps 1, 2, and 3.

## 8.4.6 Clock Input Option for SWDT

The following code shows how the AP SoC selects the clock source for SWDT:

```
if slcr.WDT_CLK_SEL[0] is 0, use CPU_1X
else if slcr.MIO_PIN_14[6:0] is 0110000, use MIO pin 14
else if slcr.MIO_PIN_26[6:0] is 0110000, use MIO pin 26
else if slcr.MIO_PIN_38[6:0] is 0110000, use MIO pin 38
else if slcr.MIO_PIN_50[6:0] is 0110000, use MIO pin 50
else if slcr.MIO_PIN_52[6:0] is 0110000, use MIO pin 52
else use EMIOWDTCLKI
```

---

## 8.5 Triple Timer Counters (TTC)

The TTC contains three independent timers/counters. There are two TTC modules in the PS, for a total of six timers/counters. TTC 1 controller can be configured for secure or non-secure mode using the `nic301_addr_region_ctrl_registers.security_apb [ttc1_apb]` register bit. The three timers within a TTC controller have the same security state.

### 8.5.1 Features

Each of the triple timer counters has:

- Three independent 16-bit prescalers and 16-bit up/down counters
- Selectable clock input from:
  - Internal PS bus clock (CPU\_1x)
  - Internal clock (from PL)
  - External clock (from MIO)
- Three interrupts, one for each counter
- Interrupt on overflow, at regular interval, or counter matching programmable values
- Generates waveform output (for example, PWM) through the MIO and to the PL



## 8.5.2 Block Diagram

A block diagram of the TTC is shown in [Figure 8-3](#). The clock-in and wave-out multiplexing for Timer/Clock 0 is controlled by the `slcr.MIO_PIN_xx` registers. If no selection is made in these registers, then the default becomes the EMIO interface.

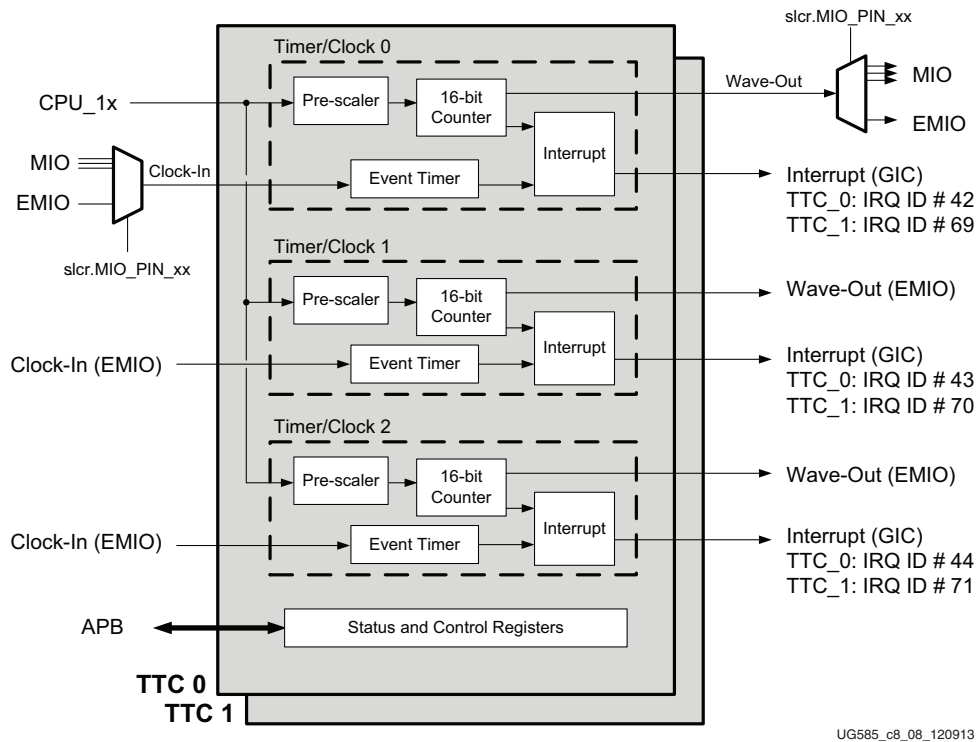


Figure 8-3: Triple Counter Timer Block Diagram

## 8.5.3 Functional Description

Each prescaler module can be independently programmed to use the PS internal bus clock (CPU\_1x), or an external clock from the MIO or the PL. For an external clock, SLCR registers determine the exact pinout through the MIO or from the PL. The selected clock is then divided down from /2 to /65536, before being applied to the counter.

The counter module can count up or count down, and can be configured to count for a given interval. It also compares three match registers to the counter value, and generate an interrupt if one matches.

The interrupt module combines interrupts of various types: counter interval, counter matches, counter overflow, event timer overflow. Each type can be individually enabled.

### Modes of Operation

Each counter module can be independently programmed to operate in either of the following two modes:

**Interval mode:** The counter increments or decrements continuously between 0 and the value of the Interval register, with the direction of counting determined by the DEC bit of the Counter Control register. An interval interrupt is generated when the counter passes through zero. The corresponding match interrupt is generated when the counter value equals one of the Match registers.

**Overflow mode:** The counter increments or decrements continuously between 0 and 0xFFFF, with the direction of counting determined by the DEC bit of the Counter Control register. An overflow interrupt is generated when the counter passes through zero. The corresponding match interrupt is generated when the counter value equals one of the Match registers.

### Event Timer Operation

The event timer operates by having an internal (invisible to users) 16-bit counter clocked at CPU\_1x which:

- Resets to 0 during the non-counting phase of the external pulse
- Increments during the counting phase of the external pulse

The Event Control Timer register controls the behavior of the internal counter:

- **E\_En bit:** When 0, immediately resets the internal counter to 0, and stops incrementing
- **E\_Lo bit:** Specifies the counting phase of the external pulse
- **E\_Ov bit:** Specifies how to handle overflow at the internal counter (during the counting phase of the external pulse)
  - When 0: Overflow causes E\_En to be 0 (see E\_En bit description)
  - When 1: Overflow causes the internal counter to wrap around and continues incrementing
  - An interrupt is always generated (subject to further enabling through another register) when an overflow occurs.

The Event register is updated with the non-zero value of the internal counter at the end of the counting-phase of the external pulse; therefore, it shows the widths of the external pulse, measured in number of cycles of CPU\_1x.

If the internal counter is reset to 0, due to overflow, during the counting phase of the external pulse, the Event register will not be updated and maintains the old value from the last non-overflowing counting operation.

## 8.5.4 Register Overview

A register overview of the TTC is provided in [Table 8-4](#).

Table 8-4: Triple Timer Counter Register Overview

Function	Name	Overview
Clock control	Clock Control register	Controls prescaler, selects clock input, edge
	Counter Control register	Enables counter, sets mode of operation, sets up/down counting, enables matching, enables waveform output

Table 8-4: Triple Timer Counter Register Overview (Cont'd)

Function	Name	Overview
Status	Counter Value register	Returns current counter value
Counter Control	Interval register	Sets interval value
	Match register 1 Match register 2 Match register 3	Sets match values, total 3
	Interrupt register	Shows current interrupt status
Interrupt	Interrupt Enable register	Enable interrupts
	Event Control Timer register	Enable event timer, stop timer, sets phrase
Event	Event register	Shows width of external pulse

## 8.5.5 Programming Model

### Counter Enable Sequence

1. Select clock input source, set prescaler value (slcr.MIO\_MUX\_SEL registers, TTC Clock Control register). Ensure TTC is disabled (ttc.Counter\_Control\_x [DIS] = 1) before proceeding with this step.
2. Set interval value (Interval register). This step is optional, for interval mode only.
3. Set match value (Match registers). This step is optional, if matching is to be enabled.
4. Enable interrupt (Interrupt Enable register). This step is optional, if interrupt is to be enabled.
5. Enable/disable waveform output, enable/disable matching, set counting direction, set mode, enable counter (TTC Counter Control register). This step starts the counter.

### Counter Stop Sequence

1. Read back the value of the Counter Control register.
2. Set DIS bit to 1, while keeping other bits.
3. Write back to Counter Control register.

### Counter Restart Sequence

1. Read back the value of Counter Control register.
2. Set RST bit to 1, while keeping other bits.
3. Write back to Counter Control register.

## Event Timer Enable Sequence

1. Select external pulse source (slcr.MIO\_MUX\_SEL registers). The width of the selected external pulse is measured in CPU\_1x period.
2. Set overflow handling, select external pulse level, enable the event timer (Event Control Timer register). This step starts measuring the width of the selected level (High or Low) of the external pulse.
3. Enable interrupt (Interrupt Enable register). This step is optional, if interrupt is to be enabled.
4. Read the measured width (Event register). Note that the returned value is not correct when overflow happened. See the description for the E\_Ov bit of the Event Control Timer register in section 8.5.3 [Functional Description](#).

## Interrupt Clear and Acknowledge Sequence

1. Read Interrupt register: All bits in the Interrupt register are cleared on read.

## 8.5.6 Clock Input Option for Counter/Timer

The following shows how AP SoC selects the clock source for TTC0 counter/timer 0:

```
if slcr.MIO_PIN_19[6:0] is 1100000, use MIO pin 19
else if slcr.MIO_PIN_31[6:0] is 1100000, use MIO pin 31
else if slcr.MIO_PIN_43[6:0] is 1100000, use MIO pin 43
else use EMIOTTTC0CLKI0
```

TTC0 counter/timer 1 can use only EMIOTTTC0CLKI1.

TTC0 counter/timer 2 can use only EMIOTTTC0CLKI2.

The following shows how Zynq SoC selects the clock source for TTC1 counter/timer 0:

```
if slcr.MIO_PIN_17[6:0] is 1100000, use MIO pin 17
else if slcr.MIO_PIN_29[6:0] is 1100000, use MIO pin 29
else if slcr.MIO_PIN_41[6:0] is 1100000, use MIO pin 41
else use EMIOTTTC1CLKI0
```

TTC1 counter/timer 1 can use only EMIOTTTC1CLKI1.

TTC1 counter/timer 2 can use only EMIOTTTC1CLKI2.

## 8.6 I/O Signals

Timer I/O signals are identified in [Table 8-5](#). The MIO pins and any restrictions based on device version are shown in the MIO table in section [2.5.4 MIO-at-a-Glance Table](#).

There are two triple timer counters (TTC0 and TTC1) in the system. Each TTC has three sets of interface signals: clock in and wave out for counter/timers 0, 1, and 2.

For each triple timer counter, the signals for counter/timer 0 can be routed to the MIO using the MIO\_PIN registers. If the clock in or wave out signal is not selected by the MIO\_PIN register, then the signal is routed to EMIO by default.

The signals for counter/timers 1 and 2 are only available through the EMIO.

Table 8-5: TTC I/O Signals

TTC	Timer Signal	I/O	MIO Pins	EMIO Signals	Controller Default Input Value
TTC0	Counter/Timer 0 clock in	I	19, 31, 43	EMIOTTCC0CLKI0	0
	Counter/Timer 0 wave out	O	18, 30, 42	EMIOTTCC0WAVEO0	~
	Counter/Timer 1 clock in	I	N/A	EMIOTTCC0CLKI1	0
	Counter/Timer 1 wave out	O	N/A	EMIOTTCC0WAVEO1	~
	Counter/Timer 2 clock in	I	N/A	EMIOTTCC0CLKI2	0
	Counter/Timer 2 wave out	O	N/A	EMIOTTCC0WAVEO2	~
TTC1	Counter/Timer 0 clock in	I	17, 29, 41	EMIOTTTC1CLKI0	0
	Counter/Timer 0 wave out	O	16, 28, 40	EMIOTTTC1WAVEO0	~
	Counter/Timer 1 clock in	I	N/A	EMIOTTTC1CLKI1	0
	Counter/Timer 1 wave out	O	N/A	EMIOTTTC1WAVEO1	~
	Counter/Timer 2 clock in	I	N/A	EMIOTTTC1CLKI2	0
	Counter/Timer 2 wave out	O	N/A	EMIOTTTC1WAVEO2	~

System watchdog timer I/O signals are identified in [Table 8-6](#).

Table 8-6: Watchdog Timer I/O Signals

SWDT Signal	I/O	MIO Pins	EMIO Signals	Controller Default Input Value
Clock in	I	14, 26, 38, 50, 52	EMIOWDTCCLKI	0
Reset out	O	15, 27, 39, 51, 53	EMIOWDTRSTO	~

# DMA Controller

---

## 9.1 Introduction

The DMA controller (DMAC) uses a 64-bit AXI master interface operating at the CPU\_2x clock rate to perform DMA data transfers to/from system memories and PL peripherals. The transfers are controlled by the DMA instruction execution engine. The DMA engine runs on a small instruction set that provides a flexible method of specifying DMA transfers. This method provides greater flexibility than the capabilities of DMA controller methods.

The program code for the DMA engine is written by software in to a region of system memory that is accessed by the controller using its AXI master interface. The DMA engine instruction set includes instructions for DMA transfers and management instructions to control the system.

The controller can be configured with up to eight DMA channels. Each channel corresponds to a thread running on the DMA engine's processor. When a DMA thread executes a load or store instruction, the DMA Engine pushes the memory request to the relevant read or write queue. The DMA controller uses these queues to buffer AXI read/write transactions. The controller contains a multi-channel FIFO (MFIFO) to store data during the DMA transfers. The program code running on the DMA engine processor views the MFIFO as containing a set of variable-depth parallel FIFOs for DMA read and write transactions. The program code must manage the MFIFO so that the total depth of all of the DMA FIFOs does not exceed the 1,024-byte MFIFO.

The DMAC is able to move large amounts of data without processor intervention. The source and destination memory can be anywhere in the system (PS or PL). The memory map for the DMAC includes DDR, OCM, linear addressed Quad-SPI read memory, SMC memory and PL peripherals or memory attached to an M\_GP\_AXI interface.

The flow control method for transfers with PS memories use the AXI interconnect. Accesses with PL peripherals can use the AXI flow control or the DMAC's PL Peripheral Request Interface. There are no peripheral request interfaces directed to the PS I/O Peripherals (IOPs). For the PL peripheral AXI transactions, software running on a CPU is used in a programmed IO method using interrupts or status polling.

The controller has two sets of control and status registers. One set is accessible in secure mode and the other in non-secure mode. Software accesses these registers via the controller's 32-bit APB slave interface. The entire controller is either operated in secure or non-secure mode; there is no mixing of modes on a channel basis. Security configuration changes are controlled by slcr registers and require a controller reset to take effect.

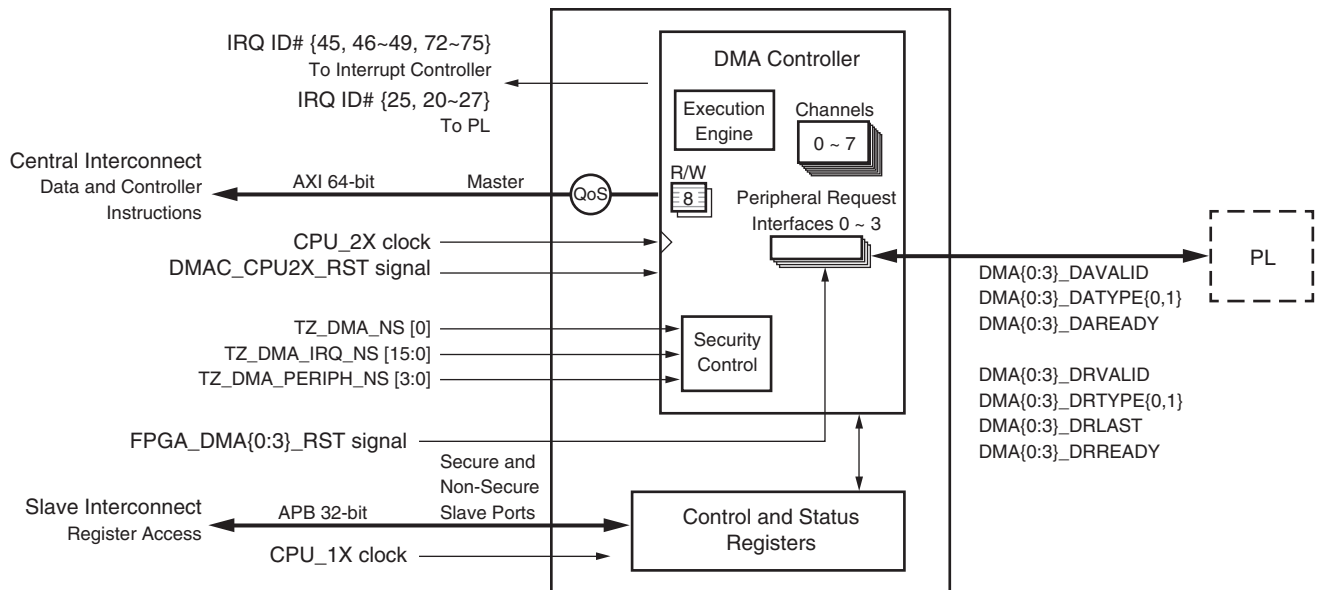
## 9.1.1 Features

The DMA Controller provides:

- DMA Engine processor with a flexible instruction set for DMA transfers:
  - Flexible scatter-gather memory transfers
  - Full control over addressing for source and destination
  - Define AXI transaction attributes
  - Manage byte streams
- Eight cache lines and each cache line is four words wide
- Eight concurrent DMA channels threads
  - Allows multiple threads to execute in parallel
  - Issue commands for up to eight read and up to eight write AXI transactions
- Eight interrupts to the PS interrupt controller and the PL
- Eight events within DMA Engine program code
- 128 (64-bit) word MFIFO to buffer the data that the controller writes or reads during a transfer
- Security
  - Dedicated APB slave interface for secure register accessing
  - Entire controller is configured as either secure or non-secure
- Memory-to-memory DMA transfers
- Four PL peripheral request interfaces to manage flow control to and from the PL logic
  - Each interface accepts up to four active requests

## 9.1.2 System Viewpoint

The system viewpoint of the DMA controller is shown in [Figure 9-1](#).



UG585\_c9\_01\_021113

Figure 9-1: DMA Controller System Viewpoint

### System Functions

The following system functions are described in section [9.6 System Functions](#):

- Clocks
- Resets and Reset Configuration

### DMA Controller Functions and Programming

A block diagram for the DMA controller is shown in [Figure 9-2](#). A brief description of each block follows the diagram. Each functional unit is described in detail in these three main sections:

- Overall description in section [9.2 Functional Description](#).
- SDK Software programming methods are in section [9.3 Programming Guide for DMA Controller](#).
- DMA Engine programming methods are in section [9.4 Programming Guide for DMA Engine](#).
- Programming restrictions for these methods are in section [9.5 Programming Restrictions](#):



### 9.1.3 Block Diagram

The block diagram of the DMA controller is shown in Figure 9-2.

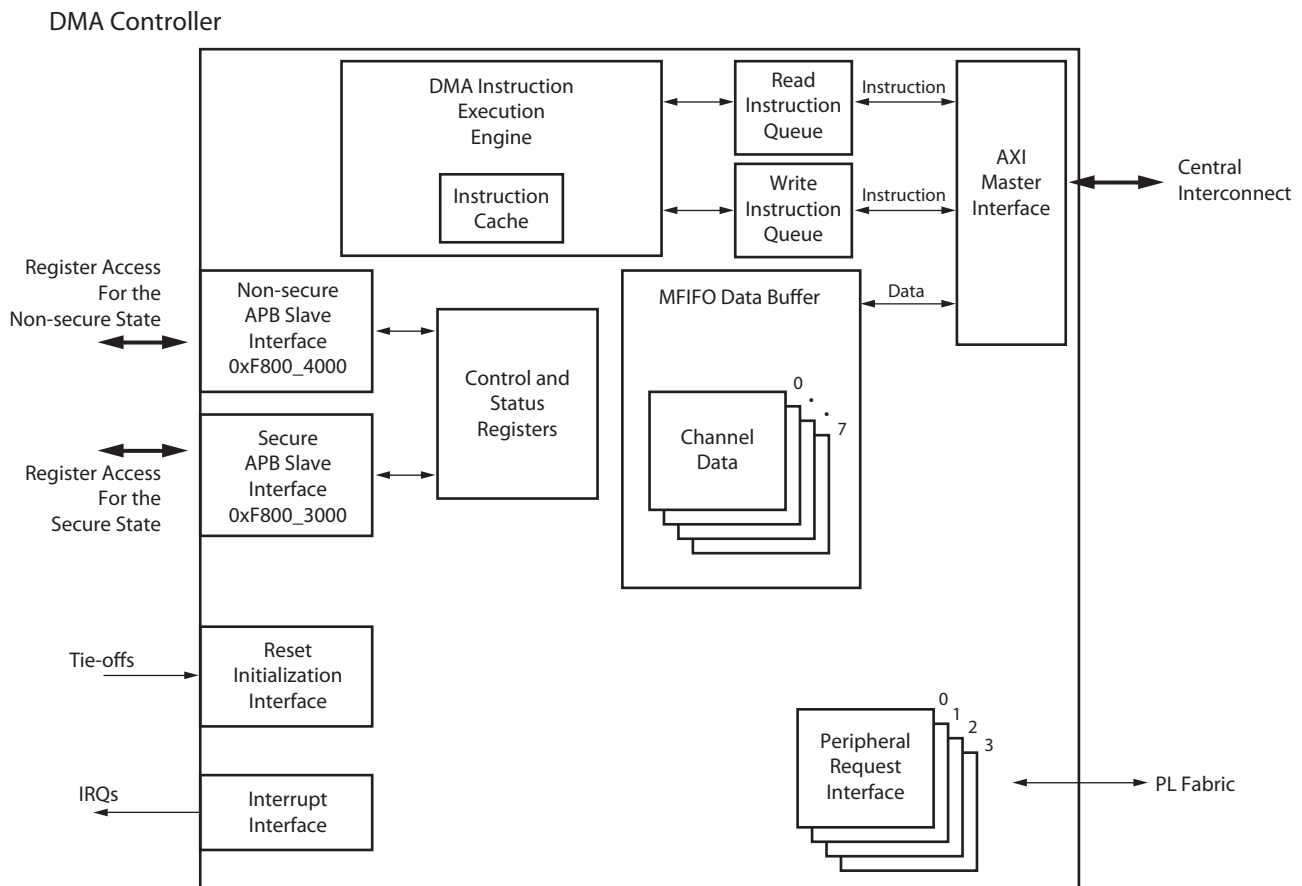


Figure 9-2: DMA Controller Block Diagram

**Note:** Refer to *ARM PrimeCell DMA Controller (PL330) Technical Reference Manual: AXI Characteristics for a DMA Transfer and AXI Master* for more information.

#### DMA Instruction Execution Engine

The DMAC contains an instruction processing block that enables it to process program code that controls a DMA transfer. The DMAC maintains a separate state machine for each thread.

- Channel arbitration
  - Round-robin scheme to service the active DMA channels
  - Services the DMA manager prior of servicing the next DMA channel
  - Changes to the arbitration process are not supported
- Channel prioritization
  - Responds to all active DMA channels with equal priority
  - Changes to the priority of a DMA channel over any other DMA channels are not supported

## Instruction Cache

The controller stores instructions temporarily in a cache. When a thread requests an instruction from an address, the cache performs a look-up. If a cache hit occurs then the cache immediately provides the data, otherwise the thread is stalled while the controller uses the AXI interface to perform a cache line fill from system memory. If an instruction is greater than four bytes, or spans the end of a cache line, then it performs multiple cache accesses to fetch the instruction.

**Note:** When a cache line fill is in progress, the controller enables other threads to access the cache, but if another cache miss occurs the pipeline is stalled until the first line fill is complete.

**Note:** Instruction cache latency for fill operations is dependent on the read latency of the system memory where the DMA engine instructions are written. The performance of the DMAC is highly dependent on the bandwidth of the 64-bit AXI master interface (CPU\_2x clock).

## Read/Write Instruction Queues

When a channel thread executes a load or store instruction the controller adds the instruction to the relevant read queue or write queue. The controller uses these queues as an instruction storage buffer prior to issuing transactions on the AXI interconnect.

## Multi-channel Data FIFO

The DMAC uses a multi-channel first-in-first-out (MFIFO) data buffer to store data that it reads, or writes, during a DMA transfer. Refer to [9.2.4 Multi-channel Data FIFO \(MFIFO\)](#) for more information.

## AXI Master Interface for Instruction Fetch and DMA Transfers

The program code is stored in a region of system memory that the controller accesses using the 64-bit AXI master interface. The AXI master interface also enables the DMA to transfer data from a source AXI slave to a destination AXI slave.

## APB Slave Interface for Register Accesses

The controller responds to two address ranges used by software to read and write the control and status registers via the 32-bit APB slave interface.

- Non-secure register accesses
- Secure register accesses

## Interrupt Interface

The interrupt interface enables efficient communications of events to the interrupt controller.

## PL Peripheral DMA Request Interface

The PL peripheral request interface supports the connection of DMA-capable peripherals resident in the PL. Each PL peripheral request interface is asynchronous to one another and asynchronous to the

DMA itself. The request/acknowledge signals to and from the PL are described in section [9.2.6 PL Peripheral AXI Transactions](#).

## Reset Initialization Interface

This interface enables the software to initialize the operating state of the DMAC as it exits from reset. Refer to section [9.6.3 Reset Configuration of Controller](#) for more information.

## 9.1.4 Notices

### ARM IP Core

The DMAC is an Advanced Microcontroller Bus Architecture (AMBA) PrimeCell peripheral that is developed, tested, and licensed by ARM.

A list of the ARM Reference Documents for the DMA controller are summarized in [Appendix A, Additional Resources](#).

- **Technical Reference Manual:** *ARM PrimeCell DMA Controller (PL330) Technical Reference Manual*.
- **Example Application Notes:** *ARM Application Note 239: Example programs for the CoreLink DMA Controller DMA-330* and refer to [9.4 Programming Guide for DMA Engine](#).

### Secure/Non-Secure Modes

The DMAC includes features to enable it to co-exist with ARM's TrustZone hardware to accelerate the performance of secure systems. The hardware is not required to ensure a secure environment. This chapter includes many references to secure and non-secure modes. It may not be complete. For additional information related to the use of the DMA PL330 controller with ARM TrustZone, refer to UG1019, *Programming ARM TrustZone Architecture on the Zynq-7000 All Programmable SoC*.

### Other DMA Controllers

There are other DMA controllers in the system that are local to the IOPs in the PS. These include:

- GigE controller, refer to [Chapter 16, Gigabit Ethernet Controller](#).
- SDIO controller, refer to [Chapter 13, SD/SDIO Controller](#).
- USB controller, refer to [Chapter 15, USB Host, Device, and OTG Controller](#).
- DevC Interface, refer to section [6.4 Device Configuration Functions and Operations](#).

## 9.2 Functional Description

### Common to all DMAC operating conditions

- [9.2.1 DMA Transfers on the AXI Interconnect](#)
- [9.2.2 AXI Transaction Considerations](#)
- [9.2.3 DMA Manager](#)
- [9.2.4 Multi-channel Data FIFO \(MFIFO\)](#)

### Memory-to-memory transfers are managed by the DMAC

- [9.2.5 Memory-to-Memory Transfers](#)

### When the PL Peripheral Request Interface is used

- [9.2.6 PL Peripheral AXI Transactions](#)
- Length management option: [9.2.8 PL Peripheral - Length Managed by PL Peripheral](#)
- Length management option: [9.2.9 PL Peripheral - Length Managed by DMAC](#)

### Advanced DMAC operating features

- [9.2.10 Events and Interrupts](#)
- [9.2.11 Aborts](#)
- [9.2.12 Security](#)

### IP core Configuration

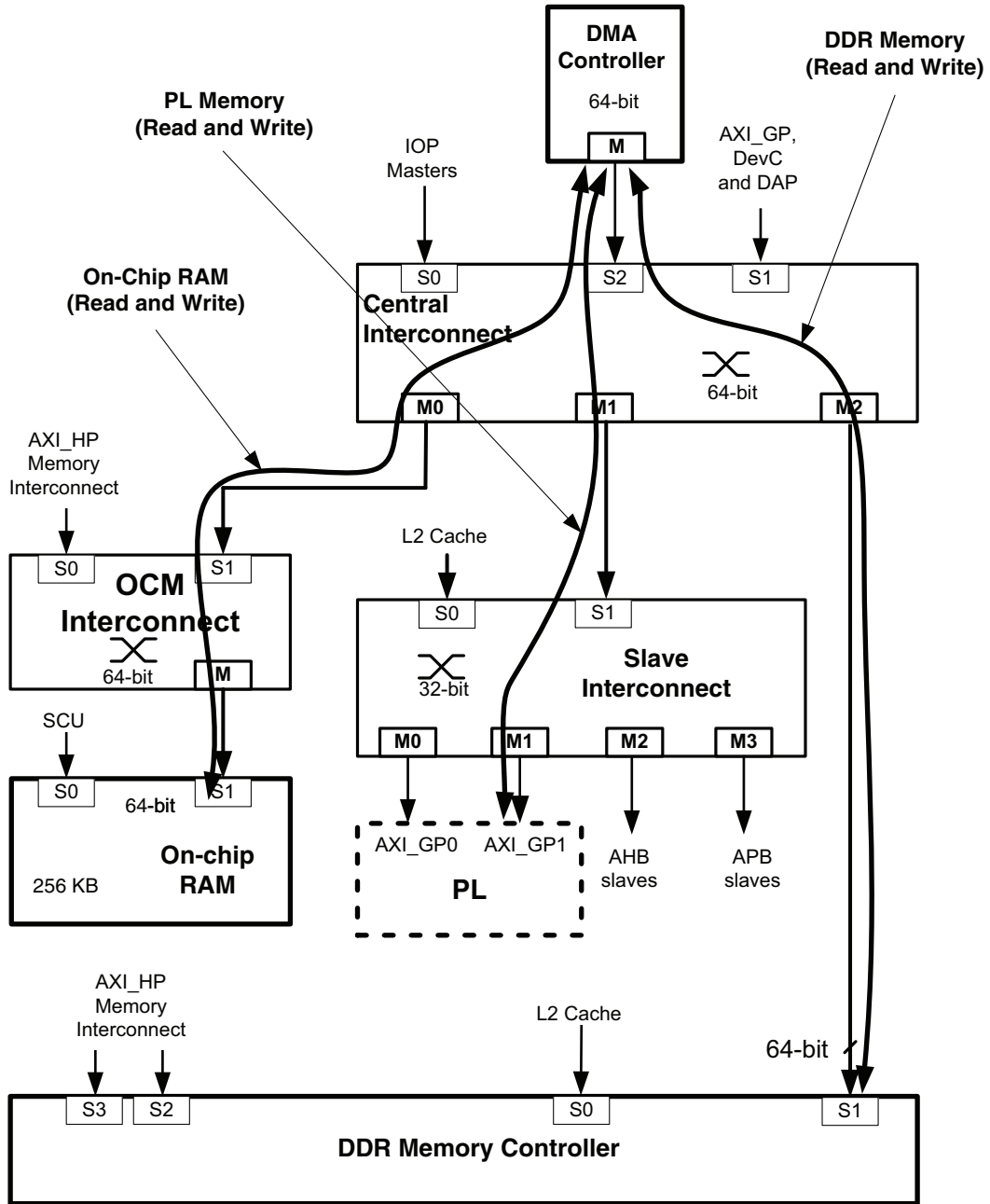
- Based on the *ARM PrimeCell DMA Controller (PL330)* refer to [9.2.13 IP Configuration Options](#)

## 9.2.1 DMA Transfers on the AXI Interconnect

All of the DMA transactions use AXI interfaces to move data between the on-chip memory, DDR memory and slave peripherals in the PL. The slave peripherals in the PL normally connect to the DMAC peripheral request interface to control data flow. The DMAC can conceivably access IOPs in the PS, but this is normally not useful because these paths offer no flow control signals.

The data paths that are normally used by the DMAC are shown in [Figure 9-3](#). The peripheral request interface (used for flow control) is not shown in the figure. Each AXI path can be a read or write. There are many combinations. Two typical DMA transaction examples include:

- Memory to memory (On-chip memory to DDR memory)
- Memory to/from PL peripheral (DDR memory to PL peripheral)



UG585\_c9\_07\_021113

Figure 9-3: DMAC Reads/Writes DDR, On-chip RAM, and PL Peripheral

## 9.2.2 AXI Transaction Considerations

- AXI data transfer size
  - Performs data accesses up to the 64-bit width of the AXI data bus
  - Signals a precise abort if the user programs the `src_burst_size` or `dst_burst_size` fields to be larger than 64 bits
  - Maximum burst length is 16 data beats
- AXI bursts crossing 4 KB boundaries
  - The AXI specification does not permit AXI bursts to cross 4 KB address boundaries
  - If the controller is programmed with a combination of burst start address, size, and length that would cause a single burst to cross a 4 KB address boundary, then the controller instead generates a pair of bursts with a combined length equal to that specified. This operation is transparent to the DMAC channel thread program so that, for example, the DMAC responds to a single DMALD instruction by generating the appropriate pair of AXI read bursts.
- AXI burst types
  - Can be programmed to generate only fixed-address or incrementing-address burst types for data accesses. Wrapping-address bursts are not generated for data accesses or for instruction fetches.
- AXI write addresses
  - Can issue multiple outstanding write addresses up to eight (write issuing capability)
  - The DMAC does not issue a write address until it has read in all of the data bytes required to fulfill that write transaction.
- AXI write data interleaving
  - Does not generate interleaved write data. All write data beats for one write transaction are output before any write data beat for the next write transaction.
- AXI characteristics
  - Does not support locked or exclusive accesses

## 9.2.3 DMA Manager

This section describes how to issue instructions to the DMA manager using one of the two APB interfaces available.

When the DMAC is operating in real time, the user can only issue the following limited subset of instructions:

DMAGO	Starts a DMA transfer using a DMA channel that the user specifies.
DMASEV	Signals the occurrence of an event, or interrupt, using an event number that the user specifies.
DMAKILL	Terminates a thread.

The appropriate APB interface must be used depending on the security state in which the SLCR register TZ\_DMA\_NS initializes the DMA manager to operate. For example, if the DMA manager is in the secure state, the instruction using the secure APB interface must be used or the DMAC ignores the instruction. The non-secure APB interface is the suggested port to use to start or restart a DMA channel when the DMA manager is in the non-secure state, however, the secure APB interface can be used in non-secure mode. (Refer to section 9.2.12 Security for more details.) For additional information related to the use of the DMA PL330 controller with ARM TrustZone, refer to UG1019, *Programming ARM TrustZone Architecture on the Zynq-7000 All Programmable SoC*.

Before issuing instructions using the Debug Instruction registers or the DBGCMD register, the DBGSTATUS register must be read to ensure that debug is idle, otherwise, the DMA manager ignores the instructions. Refer to the Debug Command register and Debug Status register in [Appendix B, Register Details](#).

When the DMA manager receives an instruction from an APB slave interface, it can take several clock cycles before it can process the instruction — for example, if the pipeline is busy processing another instruction.

Prior to issuing DMAGO, the system memory must contain a suitable program for the DMA channel thread to execute, starting at the address that the DMAGO specifies.

### Example: Start DMA Channel Thread

The following example shows the steps required to start a DMA channel thread using the debug instruction registers.

1. Create a program for the DMA channel.
2. Store the program in a region of system memory.

Use one of the APB interfaces on the DMAC to program a DMAGO instruction as follows:

3. Poll the dmac.DBGSTATUS register to ensure that debug is idle, that is, the dbgstatus bit is 0. Refer to the Debug Status register in [Appendix B, Register Details](#).
4. Write to the dmac.DBGINST0 register and enter the:
  - a. Instruction byte 0 encoding for DMAGO.
  - b. Instruction byte 1 encoding for DMAGO.
  - c. Debug thread bit to 0. This selects the DMA manager. Refer to the Debug Instruction-0 register in [Appendix B, Register Details](#).
5. Write to the dmac.DBGINST1 register with the DMAGO instruction byte [5:2] data, refer to the Debug Instruction-1 register in [Appendix B, Register Details](#). These four bytes must be set to the address of the first instruction in the program that was written to system memory in Step 2.

Instruct the DMAC to execute the instruction that the debug instruction registers contain:

6. Write a 0 to the dmac.DBGCMD register. The DMAC starts the DMA channel thread and sets the dbgstatus bit to 1. Refer to the Debug Command register in [Appendix B, Register Details](#). After the DMAC completes execution of the instruction, it clears the dbgstatus bit to 0.



## 9.2.4 Multi-channel Data FIFO (MFIFO)

The MFIFO is a shared resource utilized on a first-come, first-served basis by all currently active channels. To a program, it appears as a set of variable-depth parallel FIFOs, one per channel, with the restriction that the total depth of all the FIFOs cannot exceed the size of the MFIFO. The DMAC maximum MFIFO depth is 128 (64-bit) words.

The controller is capable of realigning data from the source to the destination. For example, the DMAC shifts the data by two byte lanes when it reads a word from address `0x103` and writes to address `0x205`. The storage and packing of the data in the MFIFO is determined by the destination address and transfer characteristics.

When a program specifies that incrementing memory transfers are to be performed to the destination, the DMAC packs data into the MFIFO to minimize the usage of the MFIFO entries. For example, the DMAC packs two 32-bit words into a single entry in the MFIFO when the DMAC has a 64-bit AXI data bus and the program uses a source address of `0x100`, and destination address of `0x200`.

In certain situations, the number of entries required to store the data loaded from a source is not a simple calculation of the amount of source data divided by MFIFO width. The calculation of the number of entries required is not simple when any of the following occur:

- Source address is not aligned to the AXI bus width
- Destination address is not aligned to the AXI bus width
- Memory transfers are to a fixed destination, that is, a non-incrementing address

The DMALD and DMAST instructions each specify that an AXI bus transaction is to be performed. The amount of data transferred by an AXI bus transaction depends on the values programmed in to the CCRn register and the address of the transaction. Refer to the *AMBA AXI Protocol Specification* for information about unaligned transfers.

Refer to section [9.3 Programming Guide for DMA Controller](#) for considerations about MFIFO utilization.

## 9.2.5 Memory-to-Memory Transfers

The controller includes an AXI master interface to access memories in the PS system, such as:

- OCM
- DDR

Through the same AXI central interconnect, the controller can potentially access the majority of the peripheral subsystems. If a target peripheral can be seen as a memory-mapped region (or memory port location) without a FIFO or need for flow control, then the DMAC can be used to read and write to it. Typical examples include:

- QSPI in Linear addressing mode
- NOR flash
- NAND flash

The memory map for the DMA controller is shown in [Chapter 4, System Addresses](#).

For more information on the AXI Interfaces, refer to . Examples of memory-to-memory transfer are provided in section [9.4.2 Memory-to-Memory Transfers](#).

## 9.2.6 PL Peripheral AXI Transactions

The majority of PL peripherals allow transferring data through FIFOs. These FIFOs must be managed to avoid overflow and underflow situations. For this reason, four specific peripheral request interfaces are available to connect the DMAC to DMA-capable peripherals in the PL. Each one of these interfaces can be assigned to any DMA channel.

The DMAC is configured to accept up to four active requests for each PL peripheral interface. An active request is where the DMAC has not started the requested AXI data transaction. The DMAC has a request FIFO for each PL peripheral interface, which it uses to capture the requests from a PL peripheral. When a request FIFO is full, the DMAC sets the corresponding DMA{3:0}\_DRREADY Low to signal that the DMAC cannot accept any requests sent from the PL peripheral.

**Note:** There are no peripheral request interfaces directed to the I/O peripherals (IOP) in the PS. Processor intervention is needed to avoid underflow or overflow of the FIFOs in the targeted PS peripheral. This section discusses the AXI transactions to/from PL peripherals.

There are two different way to handle the quantity of data flowing between the DMAC and the PL peripheral:

PL Peripheral length management:	The PL peripheral controls the quantity of data that is contained in a DMA cycle.
DMAC length management:	The DMAC is controlling the quantity of data in a DMA cycle.

### Programming Examples

Refer to section [9.4.3 PL Peripheral DMA Transfer Length Management](#).

## 9.2.7 PL Peripheral Request Interface

[Figure 9-4](#) shows that the PL peripheral request interface consists of a PL peripheral request bus and a DMAC acknowledge bus that use the prefixes:

DR	PL Peripheral request bus
DA	DMAC acknowledge bus

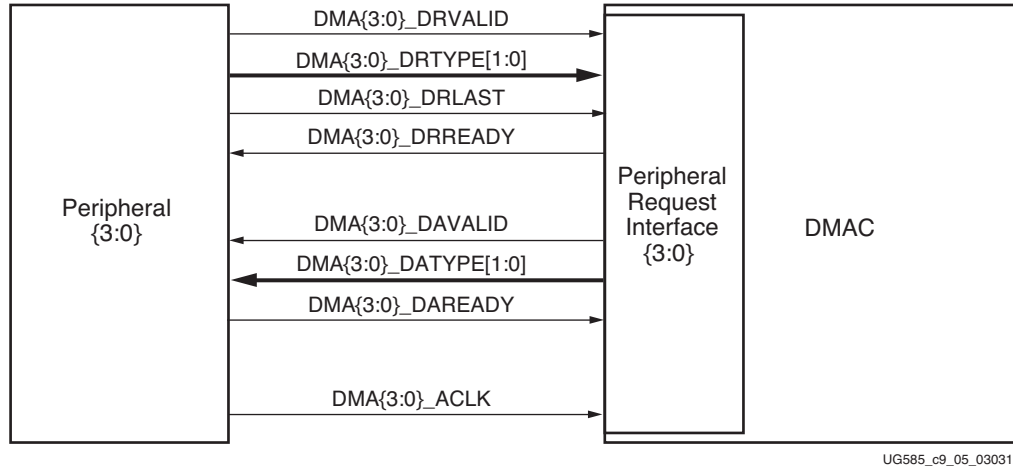


Figure 9-4: DMAC PL Peripheral Request Interface Request/Acknowledge Signals

Both buses use the valid-ready handshake that the AXI protocol describes. For more information on the handshake process, refer to the *AMBA AXI Protocol v1.0 Specification*.

The PL peripheral uses the DMA{3:0}\_DRTYPE[1:0] registers to:

- Request a single AXI transaction
- Request a AXI burst transaction
- Acknowledge a flush request

The DMAC uses the DMA{3:0}\_DATYPE[1:0] registers to:

- Signal when it completes the requested single AXI transaction
- Signal when it completes the requested AXI burst transaction
- Issue a flush request

The PL peripheral uses DMA{3:0}\_DRLAST to:

- Signal to the DMAC when the last data cycle of the AXI transaction commences

### Handshake Rules

The DMAC uses the DMA handshake rules that [Table 9-1](#) shows, when a DMA channel thread is active, that is, not in the stopped state. Refer to the [Figure 9-5, page 252](#) for more information.

Table 9-1: DMAC PL Peripheral Request Interface Handshake Rules

Rule	Description <sup>(1)</sup>
1	DMA{3:0}_DRVALID can change from Low to High on any DMA{3:0}_ACLK cycle, but must only change from High to Low when DMA{3:0}_DRREADY is High.
2	DMA{3:0}_DRTYPE can only change when either: <ul style="list-style-type: none"> <li>• DMA{3:0}_DRREADY is High</li> <li>• DMA{3:0}_DRVALID is Low</li> </ul>

Table 9-1: DMAC PL Peripheral Request Interface Handshake Rules (Cont'd)

Rule	Description <sup>(1)</sup>
3	DMA{3:0}_DRLAST can only change when either: <ul style="list-style-type: none"> <li>• DMA{3:0}_DRREADY is High</li> <li>• DMA{3:0}_DRVALID is Low</li> </ul>
4	DMA{3:0}_DAVALID can change from Low to High on any DMA{3:0}_ACLK cycle, but must only change from High to Low when DMA{3:0}_DAREADY is High
5	DMA{3:0}_DATYPE can only change when either: <ul style="list-style-type: none"> <li>• DMA{3:0}_DAREADY is High</li> <li>• DMA{3:0}_DAVALID is Low</li> </ul>

**Notes:**

1. All signals are synchronous to the DMA{3:0}\_ACLK clock.

### Map PL Peripheral Interface to a DMA Channel

The DMAC enables software to assign a PL peripheral request interface to any of the DMA channels. When a DMA channel thread executes DMAWFP, the value programmed in the PL peripheral [4:0] field specifies the PL peripheral associated with that DMA channel. Refer to the DMAWFP instruction in Table 9-8, page 260.

### PL Peripheral Request Interface Timing Diagram

Figure 9-5 shows an example of the functional operation of the PL peripheral request interface using the rules that handshake rules described, when a PL peripheral requests an AXI burst transaction.

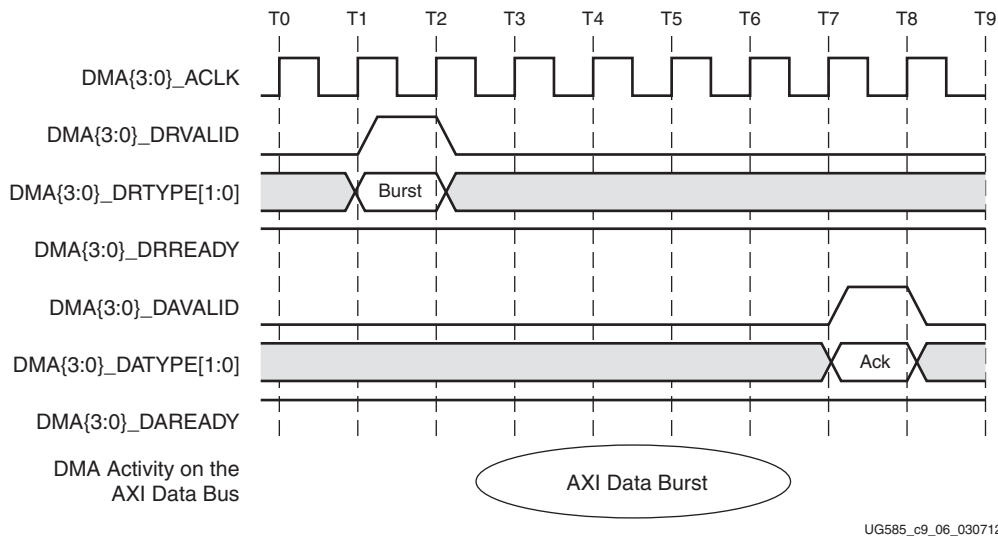


Figure 9-5: DMAC PL Peripheral Request Interface Burst Request Signaling

State transitions in Figure 9-5:

- T1 The DMAC detects a request for an AXI burst transaction.
- Between T2 and T7 The DMAC performs the AXI burst transaction.

T7                                      The DMAC sets DMA{3:0}\_DAVALID High and sets DMA{3:0}\_DATYPE[1:0] to indicate that the transaction is complete.

For more timing diagrams refer to *ARM PrimeCell DMA Controller (PL330) Technical Reference Manual: Peripheral Request Interface Timing Diagrams*, keeping in mind that each PL peripheral request interface is asynchronous to one another and asynchronous to the DMA itself.

## 9.2.8 PL Peripheral - Length Managed by PL Peripheral

The PL peripheral request interface enables a PL peripheral to control the quantity of data that an AXI transfer contains, without the DMAC being aware of how many data cycles the transfer contains. The PL peripheral controls the AXI transaction by using:

DMA{3:0}_DRTYPE[1:0]	Selects a single or burst AXI Transaction
DMA{3:0}_DRLAST	Notifies the DMAC when it commences the final request in the current series

When the DMAC executes a DMAWFP instruction, it halts execution of the thread and waits for the PL peripheral to send a request. When the PL peripheral sends the request, the DMAC sets the state of the request flags depending on the state of the following signals:

DMA{3:0}_DRTYPE[1:0]	The DMAC sets the state of the request_type flag:
00 :	request_type = Single
01 :	request_type = Burst
DMA{3:0}_DRLAST	The DMAC sets the state of the request_last flag:
0 :	request_last = 0
1 :	request_last = 1

If the DMAC executes a DMAWFP single or DMAWFP burst instruction then the DMAC sets:

- The request\_type{3:0} flag to Single or Burst, respectively
- The request\_last{3:0} flag to 0

DMALPFE is an assembler directive which forces the associated DMALPEND instruction to have its nf bit set to 0. This creates a program loop that does not use a loop counter to terminate the loop. The DMAC exits the loop when the request\_last flag is set to 1.

The DMAC conditionally executes the following instructions, depending on the state of the request\_type and request\_last flags:

DMALD, DMAST, DMALPEND

When these instructions use the optional B|S suffix then the DMAC executes a DMANOP if the request\_type flag does not match.

DMALDP<B|S>, DMASTP<B|S>

The DMAC executes a DMANOP if the request\_type flag does not match the B|S suffix.

DMALPEND

When the nf bit is 0, the DMAC executes a DMANOP if the request\_last flag is set.

The DMALDB, DMALDPB, DMASTB and DMASTPB instructions should be used if the DMAC is required to issue an AXI burst transaction when the DMAC receives a burst request, that is, when  $\text{DMA}\{3:0\}\_DRTYPE[1:0] = b01$ . The values in the CCRn register control the amount of data in the DMA transfer. Refer to the Channel Control registers in [Appendix B, Register Details](#).

The DMALDS, DMALDPS, DMASTS, and DMASTPS instructions should be used if the DMAC is required to issue a single AXI transaction when the DMAC receives a single request, that is, when  $\text{DMA}\{3:0\}\_DRTYPE[1:0] = b00$ . The DMAC ignores the value of the src\_burst\_len and dst\_burst\_len fields in the CCRn register and sets the arlen[3:0] or awlen[3:0] buses to 0x0.

Refer to the [Programming Guide for DMA Controller](#) for an example of microcode for PL peripheral length management.

## 9.2.9 PL Peripheral - Length Managed by DMAC

DMAC length management is the process by which the DMAC controls the total amount of data to transfer. Using the PL peripheral request interface, the PL peripheral notifies the DMAC when a transfer of data in either direction is required. The DMA channel thread controls how the DMAC responds to the PL peripheral requests.

The following constraints apply to DMAC length management:

- The total quantity of data for all of the single requests from a PL peripheral must be less than the quantity of data for a burst request for that PL peripheral.
- The CCRn register controls how much data is transferred for a burst request and a single request. ARM recommends that a CCRn register not be updated while a transfer is in progress for that channel. Refer to the Channel Control registers in [Appendix B, Register Details](#).
- After the PL peripheral sends a burst request, the PL peripheral must not send a single request until the DMAC acknowledges that the burst request is complete.

The DMAWFP single instruction should be used when the program thread is required to halt execution until the PL peripheral request interface receives any request type. If the head entry request type in the request FIFO is:

Single: The DMAC pops the entry from the FIFO and continues program execution.

Burst: The DMAC leaves the entry in the FIFO and continues program execution.

**Note:** The burst request entry remains in the request FIFO until the DMAC executes a DMAWFP burst instruction or a DMAFLUSHP instruction.

The DMAWFP burst instruction should be used when the program thread is required to halt execution until the PL peripheral request interface receives a burst request. If the head entry request type in the request FIFO is:

- Single: The DMAC removes the entry from the FIFO and program execution remains halted.
- Burst: The DMAC pops the entry from the FIFO and continues program execution.

The DMALDP instruction should be used when the DMAC is required to send an acknowledgement to the PL peripheral when it completes the AXI read transaction. Similarly, the DMASTP instruction should be used when the DMAC is required to send an acknowledgement to the PL peripheral when it completes the AXI write transaction. The DMAC uses the DMA{3:0}\_DATATYPE[1:0] bus to acknowledge the transaction to the PL peripheral {3:0}.

The DMAC sends an acknowledgement for a read transaction when rvalid and rlast are High and for a write transaction when bvalid is High. If the system is able to buffer AXI write transactions, it might be possible for the DMAC to send an acknowledgement to the PL peripheral, but the transaction of write data to the end destination is still in progress.

The DMAFLUSHP instruction should be used to reset the request FIFO for the PL peripheral request interface. After the DMAC executes DMAFLUSHP, it ignores PL peripheral requests until the PL peripheral acknowledges the flush request. This enables the DMAC and PL peripheral to synchronize with each other.

Refer to section 9.3 Programming Guide for DMA Controller for an example of microcode for DMA length management.

## 9.2.10 Events and Interrupts

The DMAC supports 16 events. The first 8 of these events can be interrupt signals, IRQs [7:0]. Each of the eight interrupts are outputs going to both the PS interrupt controller and the PL at the same time. The events are used internal to the DMA engine to cross-trigger channel-to-channel or manager-to-channel.

Table 9-2 shows the mapping between events and interrupts. Refer to the Interrupt Enable register in Appendix B, Register Details for programming details.

Table 9-2: DMAC Events and Interrupts

DMAC Event/IRQ #	System IRQ# (to the PS)	IRQP2F (to the PL)	DMA Engine Event#
0 ~ 3	46 ~ 49	20 ~ 23	0 ~ 3
4 ~ 7	72 ~ 75	24 ~ 27	4 ~ 7
8 ~ 15	na	na	8 ~ 15

When the DMA engine executes a DMASEV instruction it modifies the event/interrupt that the user specifies.

- If the INTEN register sets the event/interrupt resource to function as an event, the DMAC generates an event for the specified event/interrupt resource. When the DMAC executes a DMAWFE instruction for the same event-interrupt resource then it clears the event.

- If the INTEN register sets the event/interrupt resource to function as an interrupt, the DMAC sets irq<event\_num> High, where event\_num is the number of the specified event-resource. To clear the interrupt, the user must write to the INTCLR register. Refer to the Interrupt Clear register in [Appendix B, Register Details](#).

Refer to section [9.3 Programming Guide for DMA Controller](#) for more information and [Chapter 7, Interrupts](#) for more details about the System IRQs.

## 9.2.11 Aborts

An abort is sent to the CPUs via IRQ ID #45 and the PL peripheral via the IRQP2F[28] signal. [Table 9-3](#) summarizes all of the possible causes for an abort. [Table 9-3](#) explains the actions that the DMAC takes after an abort condition. After an abort occurs the action the DMAC takes depends on the thread type. [Table 9-5](#) describes the actions that the processors or the PL peripheral must take after the Abort signal is received. Refer to the *ARM PrimeCell DMA Controller (PL330) Technical Reference Manual: Aborts* for details.

Table 9-3: **DMAC Abort Types and Conditions**

Abort Types	Condition
<p><b>Precise</b></p> <p>The DMAC updates the PC register with the address of the instruction that created the abort.</p> <p><b>Note:</b> When the DMAC signals a precise abort, the instruction that triggers the abort is not executed; the DMAC executes a DMANOP instead.</p>	<p><b>Security Violation on Channel Control Registers</b></p> <p>A DMA channel thread in a non-secure state attempts to program the Channel Control registers and generates a secure AXI bus transaction.</p>
	<p><b>Security Violation on Events</b></p> <p>A DMA channel thread in a non-secure state executes DMAWFE or DMASEV for an event that is set as secure. The SLCR register TZ_DMA_IRQ_NS controls the security state for an event.</p>
	<p><b>Security Violation on PL Peripheral Request Interfaces</b></p> <p>A DMA channel thread in a non-secure state executes DMAWFP, DMALDP, DMASTP, or DMAFLUSHP for a PL peripheral request interface that is set as secure. The SLCR register TZ_DMA_PERIPH_NS controls the security state for a PL peripheral request interface.</p>
	<p><b>Security Violation on DMAGO</b></p> <p>The DMA manager in a non-secure state executes DMAGO to attempt to start a secure DMA channel thread.</p>
	<p><b>Error on AXI Master Interface</b></p> <p>The DMAC receives an ERROR response on the AXI master interface when it performs an instruction fetch. For example; trying to access reserved memory.</p>
	<p><b>Error on Execution Engine</b></p> <p>A thread executes an undefined instruction or executes an instruction with an operand that is invalid for the configuration of the DMAC.</p>



Table 9-3: DMAC Abort Types and Conditions (Cont'd)

Abort Types	Condition
<p><b>Imprecise</b> The PC register might contain the address of an instruction that did not cause the abort occur.</p>	<p><b>Error on Data Load</b> The DMAC receives an ERROR response on the AXI master interface when it performs a data load.</p>
	<p><b>Error on Data Store</b> The DMAC receives an ERROR response on the AXI master interface when it performs a data store.</p>
	<p><b>Error on MFIFO</b> A DMA channel thread executes DMALD and the MFIFO is too small to store the data or executes DMAST and the MFIFO contains insufficient data to complete the AXI transaction.</p>
	<p><b>Watchdog Abort</b> The DMAC can lock up if one or more DMA channel programs are running and the MFIFO is too small to satisfy the storage requirements of the DMA programs. The DMAC contains logic to prevent it from remaining in a state where it is unable to complete a DMA transfer. The DMAC detects a lock up when all of the following conditions occur:</p> <ul style="list-style-type: none"> <li>• Load queue is empty</li> <li>• Store queue is empty</li> <li>• All of the running channels are prevented from executing a DMALD instruction either because the MFIFO does not have sufficient free space or another channel owns the load-lock</li> </ul> <p>When the DMAC detects a lock up it signals an interrupt and can also abort the contributing channels. The DMAC behavior depends on the state of the wd_irq_only bit in the WD register. For more information, refer to the subsection <a href="#">Resource Sharing Between DMA Channels, page 274</a>.</p>

Table 9-4: DMAC Abort Handling

Thread Type	DMAC Actions
<b>Channel thread</b>	Sets <b>IRQ#45</b> interrupt and <b>IRQP2F[28]</b> signal High
	Stops executing instructions for the DMA channel
	Invalidates all cache entries for the DMA channel
	Updates the Channel Program Counter registers to contain the address of the aborted instruction provided that the abort was precise
	Does not generate AXI accesses for any instructions remaining in the read queue and write queue
	Permits currently active AXI bus transactions to complete
<b>DMA manager</b>	Sets <b>IRQ#45</b> interrupt and <b>IRQP2F[28]</b> signal High

Table 9-5: DMAC Thread Termination

Processor or PL Peripheral Actions
Reads the status of Fault Status DMA Manager register to determine if the DMA manager is faulting and to determine the cause of the abort
Reads the status of Fault Status DMA Channel register to determine if a DMA channel is faulting and to determine the cause of the abort

Table 9-5: DMAC Thread Termination (Cont'd)

Processor or PL Peripheral Actions
Programs the Debug Instruction-0 register with the encoding for the DMAKILL instruction
Writes to the Debug Command register.

## 9.2.12 Security

When the DMAC exits from reset, the status of the reset initialization interface signals configures the security for the:

- DMA manager (SLCR register TZ\_DMA\_NS)
- Event/Interrupt resources (SLCR register TZ\_DMA\_IRQ\_NS)
- PL peripheral request interfaces (SLCR register TZ\_DMA\_PERIPH\_NS)

Refer to the section [9.6.3 Reset Configuration of Controller](#) for more details.

When the DMA manager executes a DMAGO instruction for a DMA, it sets the security state of the channel by setting the ns bit. The status of the channel is provided by the dynamic non-secure bit, CNS in the Channel Status register.

**Note:** For more information refer to UG1019, *Programming ARM TrustZone Architecture on the Zynq-7000 All Programmable SoC*.

### Nomenclature

Table 9-6 describes how the nomenclature used in this chapter corresponds to ARM nomenclature.

Table 9-6: DMAC Security Nomenclature

ARM Name	XILINX Name	Description
DNS	DMAC_NS in TZ_DMA_NS	<p><b>DMA Non-secure</b></p> <p>When the DMAC exits from reset, this signal controls the security state of the DMA manager:</p> <p>0: DMA manager operates in the secure state</p> <p>1: DMA manager operates in the non-secure state</p>
INS	DMAC_IRQ_NS<x> in TZ_DMA_IRQ_NS	<p><b>Interrupt Non-secure</b></p> <p>When the DMAC exits from reset, this signal controls the security state of an event/interrupt:</p> <p>0: DMAC interrupt/event bit is in the secure state</p> <p>1: DMAC interrupt/event bit is in the non-secure state</p>
PNS	DMAC_PERIPH_NS<x> in TZ_DMA_PERIPH_NS	<p><b>PL Peripheral Non-secure</b></p> <p>When the DMAC exits from reset, this signal controls the security state of a PL peripheral request interface:</p> <p>0: DMAC PL peripheral request interface is in the secure state</p> <p>1: DMAC PL peripheral request interface is in the non-secure state</p>

Table 9-6: DMAC Security Nomenclature (Cont'd)

ARM Name	XILINX Name	Description
ns	ns in DMAGO instruction	<b>DMAGO Non-secure</b> Bit 1 of the DMAGO instruction: 0: DMA channel thread starts in the secure state 1: DMA channel thread starts in the secure state
CNS	CNS in CSR<x>	<b>CHANNEL Non-secure</b> The security state of each DMA channel is provided by bit CNS in the Channel Status register: 0: DMA channel thread operates in the secure state 1: DMA channel thread operates in the secure state

### Security by DMA Manager

A quick summary of the security usage for the DMA Manager is given in [Table 9-7](#).

Table 9-7: DMAC Security by DMA Manager

	DNS	Instruction	ns	INS	Description
<b>DMA Manager</b>	0	DMAGO	0	-	The instruction must be issued using the secure APB interface. The DMA channel thread starts in secure state (CNS= 0).
			1	-	The instruction must be issued using the secure APB interface. The DMA channel thread starts in non-secure state (CNS=1).
		DMASEV	-	X	The instruction must be issued using the secure APB interface. It signals the appropriate event irrespective of the INS bit.
	1	DMAGO	0	-	The instruction must be issued using the non-secure APB interface. Abort (see section 9.2.11 Aborts).
			1	-	The instruction must be issued using the non-secure APB interface. The DMA channel thread starts in non-secure state (CNS=1).
		DMASEV	-	0	The instruction must be issued using the non-secure APB interface. Abort (see section 9.2.11 Aborts).
			-	1	The instruction must be issued using the non-secure APB interface. It signals the appropriate event.

## Security by DMA Channel Thread

A quick summary of the security usage for the DMA Channel Threads is given in [Table 9-8](#).

**Table 9-8: DMAC Security by DMA Channel Thread**

	CNS bit	Instruction	PNS bit	INS bit	Description
<b>DMA Channel Thread</b>	0	DMAWFE	-	X	On event, execution continues, irrespective of the INS bit
		DMASEV	-	X	Signals the appropriate event, irrespective of the INS bit
		DMAWFP	X	-	On peripheral request, execution continues, irrespective of the PNS bit
		DMALP, DMASTP	X	-	Sends a message to the PL peripheral to communicate that the last AXI transaction of the DMA transfer is complete, irrespective of the PNS bit
		DMAFLUSH	X	-	Clears the state of the peripheral and sends a message to the peripheral to resend its level status, irrespective of the PNS bit
	1	DMAWFE	-	0	Abort
			-	1	On event, execution continues
		DMASEV	-	0	Abort
			-	1	It signals the appropriate event
		DMAWFP	0	-	Abort
			1	-	On peripheral request, execution continues
		DMALP, DMASTP	0	-	Abort
			1	-	Sends a message to the peripheral to communicate that the last AXI transaction of the DMA transfer is complete
		DMAFLUSHP	0	-	Abort
1	-		It only clears the state of the peripheral and sends a message to the peripheral to resend its level status		

### 9.2.13 IP Configuration Options

The Xilinx implementation of the DMAC uses the IP configuration options shown in [Table 9-9](#).

**Table 9-9: DMAC IP Configuration Options**

IP Configuration Option	Value
Data width (bits)	64
Number of channels	8
Number of interrupts	16 (8 interrupts, 8 events)
Number of peripherals	4 (to PL)
Number of cache lines	8
Cache line width (words)	4
Buffer depth (MIFIFO depth)	1
Read queue depth	16

Table 9-9: DMAC IP Configuration Options (Cont'd)

IP Configuration Option	Value
Write queue depth	16
Read issuing capability	8
Write issuing capability	8
Peripheral request capabilities	All capabilities
Secure APB base address	0xF800_3000
Non-secure APB base address	0xF800_4000

## 9.3 Programming Guide for DMA Controller

### 9.3.1 Startup

#### Example: Start-up Controller

1. **Configure Clocks.** Refer to section [9.6.1 Clocks](#)
2. **Configure Security State.** Refer to section [9.6.3 Reset Configuration of Controller](#)
3. **Reset the Controller.** Refer to section [9.6.2 Resets](#)
4. **Create Interrupt Service Routine.** Refer to section [9.3.3 Interrupt Service Routine](#)
5. **Execute DMA Transfers.** Refer to section [9.3.2 Execute a DMA Transfer](#)

### 9.3.2 Execute a DMA Transfer

1. **Write Microcode into Memory for DMA Transfer.** Refer to section [9.4 Programming Guide for DMA Engine](#)
  - a. Create a program for the DMA channel.
  - b. Store the program in a region of system memory.
2. **Start the DMA Channel Thread.** Refer to section [9.2.3 DMA Manager](#)

### 9.3.3 Interrupt Service Routine

There are two types of interrupt signals from the DMA controller to the PS interrupt controller:

- Eight DMAC IRQs [75:72] and [49:46]
- One DMAC ABOART IRQ [45]

An interrupt service routine (ISR) can be use for each type of interrupt. The two ISRs are described below. For more information on interrupts, refer to section [9.2.10 Events and Interrupts](#).

### Example: IRQ Interrupt Service Routine

The following steps need to be performed in this routine. This routine can support all 8 DMAC IRQs.

1. **Check which event has caused the interrupt.** Read `dmac.INT_EVENT_RIS`.
2. **Clear the corresponding event.** Write to the `dmac.INTCLR` register.
3. **Inform the application that the DMA transfer has finished.** Call the user callback function if registered during DMA transfer setup.

### Example: IRQ\_ABORT Interrupt Service Routine

The following steps need to be performed in this routine.

1. **Determine if a Manager fault occurred.** Read `dmac.FSRD`. If the value of `fs_mgr` field is set, read `dmac.FTRD` to know about the fault type.
2. **Determine if a Channel fault occurred.** Read `dmac.FSRC`. If the value of `fault_status` field for a channel is set, read `dmac.FTRx` of the corresponding channel to know about the fault type.
3. **Execute DMAKILL instruction.** Do this for the DMA Manager or the DMA Channel Thread:
  - a. For the DMA Manager write the `dmac.DBGINST0` register (refer to [Appendix B, Register Details](#)) and enter the:
    - Instruction byte 0 encoding for DMAKILL.
    - `debug_thread` bit to 0. This selects the DMA manager.
  - b. For the DMA Channel Thread write the `dmac.DBGINST0` register and enter the:
    - Instruction byte 0 encoding for DMAKILL.
    - `channel_num` bit set to the channel number to kill.
    - `debug_thread` bit to 1. This selects the DMA channel thread.
  - c. Wait until the `dbgstatus` field in `dmac.DBGSTATUS` is busy.
  - d. Write 0x0 to the `dmac.DBGCMD` register to execute the instruction that the `DBGINSTx` registers contain.

## 9.3.4 Register Overview

[Table 9-10](#) provides an overview of the DMA Controller registers.

Table 9-10: DMAC Register Overview

Function	Register Name	Overview
DMAC Control	<code>dmac.XDMAPS_DS</code> <code>dmac.XDMAPS_DPC</code>	Provides the security state and the program counter.
Interrupts and Events	<code>dmac.INT_EVENT_RIS</code> <code>dmac.INTCLR</code> <code>dmac.INTEN</code> <code>dmac.INTMIS</code>	Enables/disables the interrupt detection, mask interrupt sent to the interrupt controller, and reads raw interrupt status.

Table 9-10: DMAC Register Overview (Cont'd)

Function	Register Name	Overview
Fault Status and Type	dmac.FSRD dmac.FSRC dmac.FTRD dmac.FTR{7:0}	Provides the fault status and type for the manager and the channels.
Channel Thread Status	dmac.CPC{7:0} dmac.CSR{7:0} dmac.SAR{7:0} dmac.DAR{7:0} dmac.CCR{7:0} dmac.LC0_{7:0} dmac.LC1_{7:0}	These registers provide the status of the DMA channel threads.
Debug	dmac.DBGSTATUS dmac.DBGCMD dmac.DBGINST{1,0}	These registers enable the user to send instructions to a channel thread.
IP Configuration	dmac.XDMAPS_CR{4:0} dmac.XDMAPS_CRDN	These registers enable system firmware to discover the hardwired configuration of the DMAC
Watchdog	dmac.WD	Controls how the DMAC responds when it detects a lock-up condition.
System-level	slcr.DMAC_RST_CTRL slcr.TZ_DMAC_NS slcr.TZ_DMA_IRQ_NS slcr.TZ_DMAC_PERIPH_NS slcr.DMAC_RAM slcr.APER_CLK_CTRL	Control reset, clock, and security state.

## 9.4 Programming Guide for DMA Engine

The programming guide for the DMA Engine includes these section:

- [9.4.1 Write Microcode to Program CCRx for AXI Transactions](#)
- [9.4.2 Memory-to-Memory Transfers](#)
- [9.4.3 PL Peripheral DMA Transfer Length Management](#)
- [9.4.4 Restart Channel using an Event](#)
- [9.4.5 Interrupting a Processor](#)
- [9.4.6 Instruction Set Reference](#)

**Note:** Table 9-14 and Table 9-15, page 272 summarize the DMAC instructions and commands.

**Note:** Refer to the *ARM Application Note 239: Example programs for the CoreLink DMA Controller DMA-330* for more programming examples.

## 9.4.1 Write Microcode to Program CCRx for AXI Transactions

The channel microcode is used to set the `dmac.CCRx` registers to define the attributes of the AXI transactions. This is done using the `DMAMOV CCR` instruction.

The user should program the microcode to write to the `dmac.CCR{7:0}` register before it initiates a DMA transfer. Here are the AXI attributes that the microcode writes:

1. Program the `src_inc` and `dst_inc` bit fields based on the type of burst (incrementing or fixed address). This affects the `ARBURST[0]` and `AWBURST[0]` AXI signals.
2. Program the `src_burst_size` and `dst_burst_size` bit fields (number bytes per data beat on AXI). This affects the `ARSIZE[2:0]` and `AWSIZE[2:0]` AXI signals.
3. Program the `src_burst_len` and `dst_burst_len` bit fields (number of data beats per AXI burst transaction). This affects the `ARLEN[3:0]` and `AWLEN[3:0]` AXI signals.
4. Program the `src_cache_ctrl` and `dst_cache_ctrl` bit fields (caching strategy). This affects the `ARCACHE [2:0]` and `AWCACHE[2:0]` AXI signals.
5. Program the `src_prot_ctrl` and `dst_prot_ctrl` bit fields (security state of the manager thread.) If the manager thread is secure, `ARPROT[1]` should be set = 0 and if non-secure then it should be set = 1. `ARPROT[0]` and `ARPROT[2]` values should be set = 0. For example:
  - Set `src_prot_ctrl = 0'b000` if DMA Manager is secure,
  - Set `scr_prot_ctrl = 0'b010` if DMA Manager is non-secure
6. Program `endian_swap_size = 0` (no swapping).

## 9.4.2 Memory-to-Memory Transfers

This section shows examples of microcode that the DMAC executes to perform aligned, unaligned, and fixed data transfers. Refer to [Table 9-11](#) for aligned transfer, [Table 9-12](#) for unaligned transfer, and [Table 9-13](#) for Fixed transfer. MFIFO utilization is also described.

**Note:** If cached memory is used for the DMA transfers, the programmer should ensure that the cache coherency be maintained using appropriate cache operations. The cache entries corresponding to the memory address range should be cleaned and invalidated before programming DMA channel.



Table 9-11: DMAC Aligned Memory-to-Memory Transfers

Description	Code	MFIFO Usage
<p><b>Simple Aligned Program</b> In this program the source address and destination address are aligned with the AXI data bus width.</p>	<pre>DMAMOV CCR, SB4 SS64 DB4 DS64 DMAMOV SAR, 0x1000 DMAMOV DAR, 0x4000  DMALP 16 DMALD DMAST DMALPEND  DMAEND</pre>	<p>Each DMALD requires four entries and each DMAST removes four entries. This example has a static requirement of zero MFIFO entries and a dynamic requirement of four MFIFO entries.</p>
<p><b>Aligned asymmetric program with multiple loads</b> The following program performs four loads for each store and the source address and destination address are aligned with the AXI data bus width.</p>	<pre>DMAMOV CCR, SB1 SS64 DB4 DS64 DMAMOV SAR, 0x1000 DMAMOV DAR, 0x4000  DMALP 16 DMALD DMALD DMALD DMALD DMAST DMALPEND</pre>	<p>Each DMALD requires one entry and each DMAST removes four entries. This example has a static requirement of zero MFIFO entries and a dynamic requirement of four MFIFO entries.</p>
<p><b>Aligned asymmetric program with multiple stores</b> The following program performs four stores for each load and the source address and destination address are aligned with the AXI data bus width.</p>	<pre>DMAMOV CCR, SB4 SS64 DB1 DS64 DMAMOV SAR, 0x1000 DMAMOV DAR, 0x4000  DMALP 16 DMALD DMAST DMAST DMAST DMAST DMALPEND  DMAEND</pre>	<p>Each DMALD requires four entries and each DMAST removes one entry. This example has a static requirement of zero MFIFO entries and a dynamic requirement of four MFIFO entries.</p>

Table 9-12: DMAC Unaligned Transfers

Description	Code	MFIFO Usage
<p><b>Aligned source address to unaligned destination address</b></p> <p>In this program, the source address is aligned with the AXI data bus width but the destination address is unaligned. The destination address is not aligned to the destination burst size so the first DMAST instruction removes less data than the first DMALD instruction reads. Therefore, a final DMAST of a single word is required to clear the data from the MFIFO.</p>	<pre>DMAMOV CCR, SB4 SS64 DB4 DS64 DMAMOV SAR, 0x1000 DMAMOV DAR, 0x4004  DMALP 16 DMALD DMAST DMALPEND  DMAMOV CCR, SB4 SS64 DB1 DS32 DMAST  DMAEND</pre>	<p>The first DMALD instruction loads four double words but because the destination address is unaligned, the DMAC shifts them by four bytes, and therefore it only removes three entries on the first loop, leaving one static MFIFO entry. Each DMAST requires only four entries of data and therefore the extra entry remains in use for the duration of the program until it is emptied by the last DMAST. This example has a static requirement of one MFIFO entry and a dynamic requirement of four MFIFO entries.</p>
<p><b>Unaligned source address to aligned destination address</b></p> <p>In this program the source address is unaligned with the AXI data bus width but the destination address is aligned. The source address is not aligned to the source burst size so the first DMALD instruction reads in less data than the DMAST requires. Therefore, an extra DMALD is required to satisfy the first DMAST.</p>	<pre>DMAMOV CCR, SB4 SS64 DB4 DS64 DMAMOV SAR, 0x1004 DMAMOV DAR, 0x4000  DMALD  DMALP 15 DMALD DMAST DMALPEND  DMAMOV CCR, SB1 SS32 DB4 DS64 DMALD DMAST  DMAEND</pre>	<p>The first DMALD instruction does not load sufficient data to enable the DMAC to execute a DMAST and therefore the program includes an additional DMALD, prior to the start of the loop. After the first DMALD, the subsequent DMALDs align with the source burst size. This optimizes the performance but it requires a larger number of MFIFO entries. This example has a static requirement of four MFIFO entries and a dynamic requirement of four MFIFO entries.</p>

Table 9-12: DMAC Unaligned Transfers (Cont'd)

Description	Code	MFIFO Usage
<p><b>Unaligned source address to aligned destination address, with excess initial load</b></p> <p>This program is an alternative to that described in unaligned source address to aligned destination address. The program uses a different sequence of source bursts which might be less efficient but requires fewer MFIFO entries.</p>	<pre>DMAMOV CCR, SB5 SS64 DB4 DS64 DMAMOV SAR, 0x1004 DMAMOV DAR, 0x4000  DMALD DMAST  DMAMOV CCR, SB4 SS64 DB4 DS64 DMALP 14 DMALD DMAST DMALPEND  DMAMOV CCR, SB3 SS64 DB4 DS64 DMALD  DMAMOV CCR, SB1 SS32 DB4 DS64 DMALD DMAST  DMAEND</pre>	<p>The first DMALD instruction loads five beats of data to enable the DMAC to execute the first DMAST. After the first DMALD, the subsequent DMALDs are not aligned to the source burst size, for example the second DMALD reads from address 0x1028. After the loop, the final two DMALDs read the data required to satisfy the final DMAST. This example has a static requirement of one MFIFO entry and a dynamic requirement of four MFIFO entries.</p>
<p><b>Aligned burst size, unaligned MFIFO</b></p> <p>In this program the destination address, which is narrower than the MFIFO width, aligns with the burst size but does not align with the MFIFO width.</p>	<pre>DMAMOV CCR, SB4 SS32 DB4 DS32 DMAMOV SAR, 0x1000 DMAMOV DAR, 0x4004  DMALP 16 DMALD DMAST DMALPEND  DMAEND</pre>	<p>If the DMAC configuration has a 32-bit AXI data bus width then this program requires four MFIFO entries. However, in this example the DMAC has a 64-bit AXI data bus width and, because the destination address is not 64-bit aligned, it requires three rather than the expected two MFIFO entries. This example has a static requirement of zero MFIFO entries and a dynamic requirement of three MFIFO entries.</p>

Table 9-13: DMAC Fixed Transfers

Description	Code	MFIFO Usage
<p><b>Fixed destination with aligned address</b></p> <p>In this program the source address and destination address are aligned with the AXI data bus width, and the destination address is fixed.</p>	<pre>DMAMOV CCR, SB2 SS64 DB4 DS32 DAF DMAMOV SAR, 0x1000 DMAMOV DAR, 0x4000  DMALP 16 DMALD DMAST DMALPEND  DMAEND</pre>	<p>Each DMALD in the program loads two 64-bit data transfers into the MFIFO. Because the destination address is a 32-bit fixed address then the DMAC splits each 64-bit data item across two entries in the MFIFO. This example has a static requirement of zero MFIFO entries and a dynamic requirement of four MFIFO entries.</p>

## 9.4.3 PL Peripheral DMA Transfer Length Management

### Example: Length Managed by Peripheral

The following example shows a DMAC program that transfers 64 words from memory to peripheral 0 when the peripheral sends a burst request ( $\text{DMA}\{3:0\}\_DRTYPE[1:0] = 01$ ). When the peripheral sends a single request ( $\text{DMA}\{3:0\}\_DRTYPE[1:0] = 00$ ) then the DMAC program transfers one word from memory to peripheral 0.

To transfer the 64 words, the program instructs the DMAC to perform 16 AXI bus transactions. Each transaction consists of a 4-beat burst ( $SB=4, DB=4$ ), each beat of which moves a word of data ( $SS=32, DS=32$ ).

In this example, the program shows use of the following instructions:

- DMAWFP instruction. The DMAC waits for either a burst or single request from the peripheral.
- DMASTPB and DMASTPS instructions. The DMAC informs the peripheral when a transfer is complete.

```
# Set up for burst transfers (4-beat burst, so SB4 and DB4),
# (word data width, so SS32 and DS32)
DMAMOV CCR SB4 SS32 DB4 DS32
DMAMOV SAR ...
DMAMOV DAR ...

# Initialize peripheral '0'
DMAFLUSHP P0

# Perform peripheral transfers
# Outer loop - DMAC responds to peripheral requests until peripheral
# sets drlast_0 = 1
DMALPFE

# Wait for request, DMAC sets request_type0 flag depending on the
# request type it receives
DMAWFP 0, periph

# Set up loop for burst request: first 15 of 16 sets of transactions
# Note: B suffix - conditionally executed only if request_type0
# flag = Burst
DMALP 15
    DMALDB
    DMASTB

# Only loopback if servicing a burst, otherwise treat as a NOP
DMALPENDB

# Perform final transaction (16 of 16). Send the peripheral
# acknowledgement of burst request completion
DMALDB
DMASTPB P0

# Perform transaction if the peripheral signals a single request
# Note: S suffix - conditionally executed only if request_type0
# flag = Single
```

```

DMALDS
DMASTPS P0

# Exit loop if DMAC receives the last request, that is, drlast_0 = 1
DMALPEND

DMAEND

```

## Example: Length Managed by DMAC

This example shows a DMAC program that can transfer 1,027 words when a peripheral signals 16 consecutive burst requests and 3 consecutive single requests.

```

# Set up for AXI burst transfer
# (4-beat burst, so SB4 and DB4), (word data width, so SS32 and DS32)
DMAMOV CCR SB4 SS32 DB4 DS32
DMAMOV SAR ...
DMAMOV DAR ...

# Initialize peripheral '0'
DMAFLUSHP P0

# Perform peripheral transfers
# Burst request loop to transfer 1024 words
DMALP 16

# Wait for the peripheral to signal a burst request.
# DMAC transfers 64 words for each burst request
DMAWFP 0, burst

# Set up loop for burst request: first 15 of 16 sets of transactions
DMALP 15
  DMALD
  DMAST
DMALPEND

# Perform final transaction (16 of 16).
# Send the peripheral acknowledgement of burst request completion
DMALD
DMASTPB 0

# Finish burst loop
DMALPEND

# Set up for AXI single transfer (word data width, so SS32 and DS32)
DMAMOV CCR SB1 SS32 DB1 DS32

# Single request loop to transfer 3 words
DMALP 3

# Wait for the peripheral to signal a single request. DMAC to transfer
# one word
DMAWFP 0, single

# Perform transaction for single request and send completion
# acknowledgement to the peripheral
DMALDS

```

```
DMASTPS P0

# Finish single loop
DMALPEND

# Flush the peripheral, in case the single transfers were in response
# to a burst request
DMAFLUSHP 0

DMAEND
```

## 9.4.4 Restart Channel using an Event

When the INTEN register is programmed to generate an event, the DMASEV and DMAWFE instructions can be used to restart one or more DMA channels. Refer to the Interrupt Enable register in [Appendix B, Register Details](#).

The following sections describe the DMAC behavior when:

- DMAC executes DMAWFE before DMASEV
- DMAC executes DMASEV before DMAWFE

### DMAC Executes DMAWFE before DMASEV

To restart a single DMA channel:

1. The first DMA channel executes DMAWFE and then stalls while it waits for the event to occur.
2. The other DMA channel executes DMASEV using the same event number. This generates an event, and the first DMA channel restarts. The DMAC clears the event, one DMA{3:0}\_ACLK cycle after it executes DMASEV.

Multiple channels can be programmed to wait for the same event. For example, if four DMA channels have all executed DMAWFE for event 12, then when another DMA channel executes DMASEV for event 12, the four DMA channels all restart at the same time. The DMAC clears the event one clock cycle after it executes DMASEV.

### DMAC Executes DMASEV before DMAWFE

If the DMAC executes DMASEV before another channel executes DMAWFE, then the event remains pending until the DMAC executes DMAWFE. When the DMAC executes DMAWFE, it halts execution for one DMA{3:0}\_ACLK cycle, clears the event, and then continues execution of the channel thread.

For example, if the DMAC executes DMASEV 6 and none of the other threads have executed DMAWFE 6, then the event remains pending. If the DMAC executes DMAWFE 6 instruction for channel 4 and then executes DMAWFE 6 instruction for channel 3, then:

1. The DMAC halts execution of the channel 4 thread for one DMA{3:0}\_ACLK cycle.
2. The DMAC clears event 6.
3. The DMAC resumes execution of the channel 4 thread.

4. The DMAC halts execution of the channel 3 thread and the thread stalls while it waits for the next occurrence of event 6.

## 9.4.5 Interrupting a Processor

The controller provides the seven active-High sensitive interrupts (IRQ ID #75:72 and 49:46) to the CPUs via the interrupt controller (GIC). When the INTEN register is programmed to generate an interrupt, after the DMAC executes DMASEV, the controller sets the corresponding interrupt to an active High state. The controller can also generate an Abort interrupt (IRQ ID #45) as described in section 9.2.11 [Aborts](#). The DMAC interrupt enable and mask control registers are shown in [Appendix B, Register Details](#).

An external microprocessor can clear the interrupt by writing to the Interrupt Clear register.

Executing DMAWFE does not clear an interrupt.

If the DMASEV instruction is used to notify a microprocessor when the DMAC completes a DMALD or DMAST instruction, ARM recommends that a memory barrier instruction be inserted before the DMASEV. Otherwise the DMAC might signal an interrupt before the AXI transaction complete.

This is demonstrated in the following example:

```

DMALD
DMAST

# Issue a write memory barrier
# Wait for the AXI write transfer to complete before the DMAC can
# send an interrupt
DMAWMB

# The DMAC sends the interrupt
DMASEV
    
```

## 9.4.6 Instruction Set Reference

[Table 9-14](#) and [Table 9-15](#) summarize the DMAC instructions and commands.

Refer to *ARM PrimeCell DMA Controller (PL330) Technical Reference Manual: AXI Characteristics for a DMA Transfer and AXI Master* for more information about the DMA Engine instructions.

Table 9-14: DMA Engine Instruction Summary

Instruction	Mnemonic	Thread Usage: M = DMA Manager C = DMA Channel	
Add Halfword	DMAADDH	-	C
Add Negative Halfword	DMAADNH	-	C
End	DMAEND	-	C
Flush and Notify Peripheral	DMAFLUSHP	-	C
Go	DMAGO	M	-

Table 9-14: DMA Engine Instruction Summary (Cont'd)

Instruction	Mnemonic	Thread Usage: M = DMA Manager C = DMA Channel	
Kill	DMAKILL	M	C
Load	DMALD	-	C
Load and Notify Peripheral	DMALDP	-	C
Loop	DMALP	-	C
Loop End	DMALPEND	-	C
Loop Forever	DMALPFE	-	C
Move	DMAMOV	-	C
No operation	DMANOP	M	C
Read memory Barrier	DMARMB	-	C
Send Event	DMASEV	M	C
Store	DMAST	-	C
Store and Notify Peripheral	DMASTP	-	C
Store Zero	DMASTZ	-	C
Wait For Event	DMAWFE	-	C
Wait For Peripheral	DMAWFP	-	C
Write memory Barrier	DMAWMB	-	C

Table 9-15: DMA Engine Additional Commands Provided by the Assembler

Directives	Mnemonic
Place a 32-bit immediate	DCD
Place a 8-bit immediate	DCB
Loop	DMALP
Loop Forever	DMALPFE
Loop End	DMALPEND
Move CCR	DMAMOV CCR

## 9.5 Programming Restrictions

**Note:** Refer to the *ARM PrimeCell DMA Controller (PL330) Technical Reference Manual: Programming Restrictions* for details about restrictions that apply when programming the DMAC.

There are four considerations:

- Fixed unaligned bursts
- Endian swap size restrictions
- Updating channel control registers during a DMA cycle (section, below)



- Full MFIFO causes DMAC watchdog to abort a DMA channel (section, below, titled Resource sharing between DMA channels)

The following sections describe these last two restrictions in detail.

## 9.5.1 Updating Channel Control Registers During a DMA Cycle

Prior to the DMAC executing a sequence of DMALD and DMAST instructions, the values software programs in to the CCRn register, SARn register, and DARn register control the data byte lane manipulation that the DMAC performs when it transfers the data from the source address to the destination address. Refer to the Channel Control registers, Source Address registers, and Destination Address registers in [Appendix B, Register Details](#).

These registers can be updated during a DMA cycle, but if certain register fields are changed, the DMAC might discard data. The following sections describe the register fields that might have a detrimental impact on a data transfer:

- Updates that affect the destination address
- Updates that affect the source address

### Updates That Affect the Destination Address

If a DMAMOV instruction is used to update the DARn register or CCRn register part way through a DMA cycle, a discontinuity in the destination datastream might occur. A discontinuity occurs if any of the following is changed:

- dst\_inc bit
- dst\_burst\_size field when dst\_inc = 0, (fixed-address burst)
- DARn register so that it modifies the destination byte lane alignment. For example, when the bus width is 64 bits and bits [2:0] in the DARn register are changed.

When a discontinuity in the destination datastream occurs, the DMAC:

1. Halts execution of the DMA channel thread.
2. Completes all outstanding read and write operations for the channel (just as if the DMAC was executing DMARMB and DMAWMB instructions).
3. Discards any residual MFIFO data for the channel.
4. Resumes execution of the DMA channel thread.

### Updates That Affect the Source Address

If a DMAMOV instruction is used to update the SARn register or CCRn register part way through a DMA cycle, a discontinuity in the source datastream might occur. A discontinuity occurs if any of the following is changed:

- src\_inc bit
- src\_burst\_size field

- SARn register so that it modifies the source byte lane alignment. For example, when the bus width is 32 bits and bits [1:0] in the SARn register are changed.

When a discontinuity in the source datastream occurs, the DMAC:

1. Halts execution of the DMA channel thread.
2. Completes all outstanding read operations for the channel (just as if the DMAC was executing DMARMB instruction).
3. Resumes execution of the DMA channel thread. No data is discarded from the MFIFO.

## Resource Sharing Between DMA Channels

DMA channel programs share the MFIFO data storage resource. A set of concurrently running DMA channel programs must not be started with a resource requirement that exceeds the configured size of the MFIFO. If this limit is exceeded, the DMAC might lock up and generate a watchdog abort.

The DMAC includes a mechanism called the load-lock to ensure that the shared MFIFO resource is used correctly. The load-lock is either owned by one channel, or it is free. The channel that owns the load-lock can execute DMALD instructions successfully. A channel that does not own the load-lock pauses at a DMALD instruction until it takes ownership of the load-lock.

A channel claims ownership of the load-lock when:

- It executes a DMALD or DMALDP instruction.
- No other channel currently owns the load-lock.

A channel releases ownership of the load-lock when any of the following controller actions occur:

- Executes a DMAST, DMASTP, or DMASTZ.
- Reaches a barrier, that is, it executes DMARMB or DMAWMB.
- Waits, that is, it executes DMAWFP or DMAWFE.
- Terminates normally, that is, it executes DMAEND.
- Aborts for any reason, including DMAKILL.

The MFIFO resource usage of a DMA channel program is measured in MFIFO entries, and rises and falls as the program proceeds. The MFIFO resource requirement of a DMA channel program is described using a static requirement and a dynamic requirement which are affected by the load-lock mechanism.

ARM defines the static requirement to be the maximum number of MFIFO entries that a channel is currently using before that channel does one of the following:

- Executes a WFP or WFE instruction.
- Claims ownership of the load-lock.

ARM defines the dynamic requirement to be the difference between the static requirement and the maximum number of MFIFO entries that a channel program uses at any time during its execution.

To calculate the total MFIFO requirement, add the largest dynamic requirement to the sum of all the static requirements.

To avoid DMAC lock-up, the total MFIFO requirement of the set of channel programs must be equal to or less than the maximum MFIFO depth. The DMAC maximum MFIFO depth is 1 words, 64 bits each.

---

## 9.6 System Functions

### 9.6.1 Clocks

The controller is clocked by the CPU\_1x clock for the APB interface and by the CPU\_2x clock on the AXI interface. Programming information for the CPU\_1x and CPU\_2x clocks is in [Chapter 25, Clocks](#).

#### Example: Enable Clocks

1. **Enable CPU\_1x clock for APB.** This clock is likely already enabled for the interconnect.
2. **Enable CPU\_2x clock for AXI.** This clock is likely already enabled for the interconnect by writing a 1 to `slcr.AER_CLK_CTRL[DMA_CPU_2XCLKACT]`.

#### Peripheral Request Interface Clock

The peripheral request interface is clocked by the DMA{3:0}\_ACLK signals. All of the interface signals are listed in section [9.7.2 Peripheral Request Interface](#).

### 9.6.2 Resets

#### Controller Reset

The controller is reset using the `slcr.DMAC_RST_CLTR[DMAC_RST]` register bit. This bit is used in the controller startup example shown in section [Example: Start-up Controller](#).

#### PL Peripheral Reset

Use a general purpose I/O or other signal to the PL to reset PL peripherals.

### 9.6.3 Reset Configuration of Controller

[Table 9-16](#) shows the tie-off signals used to program security state of the DMAC. Depending on the state of the SLCR registers after reset, the DMA is configured in secure or non-secure mode. Refer to the *ARM PrimeCell DMA Controller (PL330) Technical Reference Manual: Security Usage* for more details.

**Note:** When set, each security state remains constant until the DMAC resets.

**Note:** After reset, the controller waits for software to begin executing, refer to section [9.2.3 DMA Manager](#).

Table 9-16: DMAC Initialization Signals

Name	Type	Source	Description
boot_manager_ns	Input	SLCR register TZ_DMA_NS	Controls the security state of the DMA manager, when the DMAC exits from reset: 0: Assigns DMA manager to the secure state 1: Assigns DMA manager to the non-secure state
boot_irq_ns[15:0]	Input	SLCR register TZ_DMA_IRQ_NS	Controls the security state of an event-interrupt resource, when the DMAC exits from reset: <ul style="list-style-type: none"> <li>boot_irq_ns[x] is Low: Assigns event &lt;x&gt; or irq[x] to the secure state</li> <li>boot_irq_ns[x] is High: Assigns event &lt;x&gt; or irq[x] to the non-secure state</li> </ul>
boot_periph_ns[3:0]	Input	SLCR register TZ_DMA_PERIPH_NS	Controls the security state of a peripheral request interface, when the DMAC exits from reset: <ul style="list-style-type: none"> <li>boot_periph_ns[x] is Low: Assigns peripheral request interface x to the secure state</li> <li>boot_periph_ns[x] is High: Assigns peripheral request interface x to the non-secure state</li> </ul>
boot_addr[31:0]	Input	Hard-wired 32'h0	Configures the address location that contains the first instruction that the DMAC executes, when the DMAC exits from reset. Note: The DMAC only uses this address when boot_from_pc is High.
boot_from_pc	Input	Hard-wired 1'b0	Controls the location of where the DMAC executes its initial instruction, after the DMAC exits from reset: 0: DMAC waits for an instruction from either APB interface 1: DMA manager executes the instruction that is located at the address provided by boot_addr[31:0]

## 9.7 I/O Interface

### 9.7.1 AXI Master Interface

The AXI bus transaction attributes for caching, burst type and size, protection, etc are programmed by microcode as described in section 9.4.1 [Write Microcode to Program CCRx for AXI Transactions](#).

### 9.7.2 Peripheral Request Interface

The peripheral request interfaces support the connection of DMA-capable peripherals to enable memory-to-peripheral and peripheral-to-memory DMA transfers to occur, without intervention from a microprocessor. These peripherals must be in the PL and attached to the M\_AXI\_GP interface. All peripheral request interface signals are synchronous to the respective clocks.

Table 9-17: DMAC PL Peripheral Request Interface Signals

Type	I/O	Name	Description
Clock	I	DMA{3:0}_ACLK	Clock for DMA request transfers
DMA Request	I	DMA{3:0}_DRVALID	Indicates when the peripheral provides valid control information: 0: No control information is available 1: DMA{3:0}_DRTYPE[1:0] and DMA{3:0}_DRLAST contain valid information for the DMAC
	I	DMA{3:0}_DRLAST	Indicates that the peripheral is sending the last AXI data transaction for the current DMA transfer: 0: Last data request is not in progress 1: Last data request is in progress Note: The DMAC only uses this signal when DMA{3:0}_DRTYPE[1:0] is b00 or b01.
	I	DMA{3:0}_DRTYPE[1:0]	Indicates the type of acknowledgement, or request, that the peripheral signals: 00: Single level request 01: Burst level request 10: Acknowledging a flush request that the DMAC requested 11: Reserved
	O	DMA{3:0}_DRREADY	Indicates if the DMAC can accept the information that the peripheral provides on DMA{3:0}_DRTYPE[1:0]: 0: DMAC not ready 1: DMAC ready
DMA Acknowledge	O	DMA{3:0}_DAVALID	Indicates when the DMAC provides valid control information: 0: No control information is available 1: DMA{3:0}_DATYPE[1:0] contains valid information for the peripheral
	I	DMA{3:0}_DAREADY	Indicates if the peripheral can accept the information that the DMAC provides on DMA{3:0}_DATYPE[1:0]: 0: Peripheral not ready 1: Peripheral ready
	I	DMA{3:0}_DATYPE[1:0]	Indicates the type of acknowledgement, or request, that the DMAC signals: 00: DMAC has completed the single AXI transaction 01: DMAC has completed the AXI burst transaction 10: DMAC requesting the peripheral to perform a flush request 11: Reserved

# DDR Memory Controller

---

## 10.1 Introduction

The DDR memory controller supports DDR2, DDR3, DDR3L, and LPDDR2 devices and consists of three major blocks: an AXI memory port interface (DDRI), a core controller with transaction scheduler (DDRC) and a controller with digital PHY (DDRP).

The DDRI block interfaces with four 64-bit synchronous AXI interfaces to serve multiple AXI masters simultaneously. Each AXI interface has its own dedicated transaction FIFO.

The DDRC contains two 32-entry content addressable memories (CAMs) to perform DDR data service scheduling to maximize DDR memory efficiency. It also contains fly-by channel for low latency channel to allow access to DDR memory without going through the CAM.

The PHY processes read/write requests from the controller and translates them into specific signals within the timing constraints of the target DDR memory. Signals from the controller are used by the PHY to produce internal signals that connect to the pins via the digital PHYs. The DDR pins connect directly to the DDR device(s) via the PCB signal traces.

The system accesses the DDR via DDRI via its four 64-bit AXI memory ports. One AXI port is dedicated to the L2-cache for the CPUs and ACP, two ports are dedicated to the AXI\_HP interfaces, and the fourth port is shared by all the other masters on the AXI interconnect.

The DDR interface (DDRI) arbitrates the requests from the eight ports (four reads and four writes). The arbiter selects a request and passes it to the DDR controller and transaction scheduler (DDRC). The arbitration is based on a combination of how long the request has been waiting, the urgency of the request, and if the request is within the same page as the previous request.

The DDRC receives requests from the DDRI through a single interface. Both reads and writes flow through this interface. Read requests include a tag field that is returned with the data from the DDR. The DDR controller PHY (DDRP) drives the DDR transactions.

## 10.1.1 Features

### DDR Controller System Interface (DDR1)

The DDR controller system interface has these features:

- Four identical 64-bit AXI ports support INCR and WRAP burst types
- Four 64-bit AXI interfaces with separate read/write ports and 32-bit addressing
- Write data byte enable support for each data beat
- Sophisticated arbitration schemes to prevent data starvation
- Low latency path using urgent bit to bypass arbitration logic
- Deep read and write command acceptance capability
- Out-of-order read data returned for requests with different master ID
- Nine-bit AXI ID signals on all ports
- Burst length support from 1 to 16 data beats
- Burst sizes of 1, 2, 4, 8 (bytes per beat)
- Does not support locked accesses from any AXI port
- Low latency read mechanism using HPR queue
- Special urgent signaling to each port
- TrustZone regions programmable on 64 MB boundaries
- Exclusive accesses for two different IDs per port (locked transactions are not supported, cannot do exclusive access across different ports, see [Exclusive AXI Accesses in Chapter 5](#))

### DDR Controller PHY (DDRP)

The DDR controller PHY has these features:

- Compatible DDR I/Os
  - 1.2V LPDDR2
  - 1.8V DDR2
  - 1.5V DDR3 and 1.35V DDR3L
- Selectable 16-bit and 32-bit data bus widths
- Optional ECC in 16-bit data width configuration
- Self-refresh entry on software command and automatic exit on command arrival
- Autonomous DDR power down entry and exit based on programmable idle periods
- Data read strobe auto-calibration

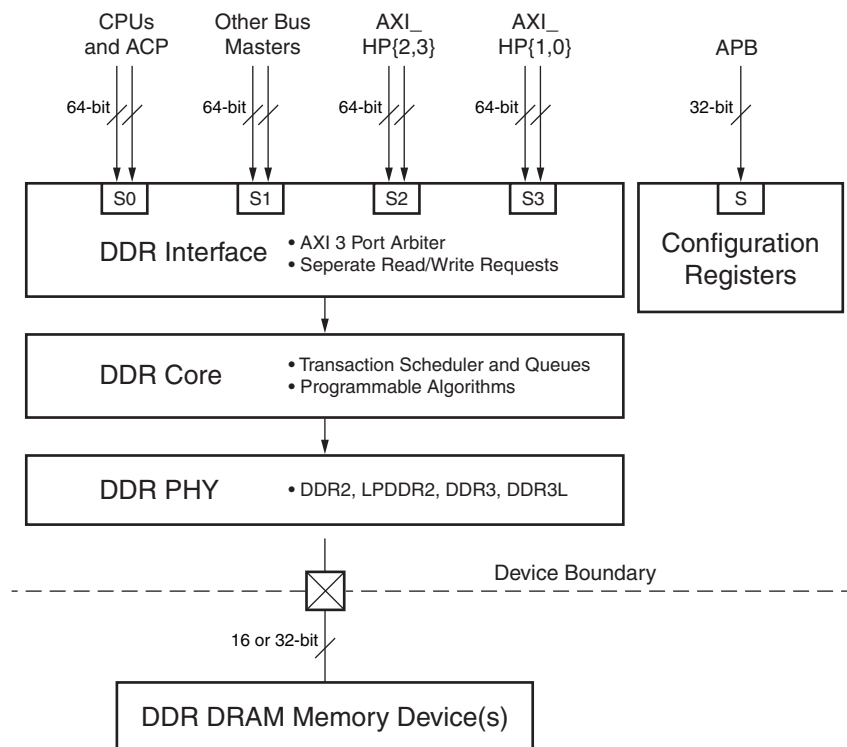
### DDR Controller Core and Transaction Scheduler (DDRC)

The DDR controller core and transaction scheduler has these features:

- Efficient transaction scheduling to optimize data bandwidth and latency
- Advanced re-ordering engine to maximize memory access efficiency for continuous reads and writes as well as random reads and writes
- Write - read address collision detection to avoid data corruption
- Obeys AXI ordering rules

## 10.1.2 Block Diagram

The block diagram for the DDR memory controller is shown in [Figure 10-1](#). The DDR memory controller consists of an arbiter, a core with transaction scheduler, and the physical sequencing of the DDR memory signals.



UG585\_c10\_01\_120913

Figure 10-1: DDR Memory Controller Block Diagram

The controller core and transaction scheduler contains two 32-entry CAMs to perform DDR data service re-ordering to maximize DDR memory access efficiency. It also contains a fly-by channel for low latency access to DDR memory without going through the CAM.

The PHY processes read/write requests from the controller and translates them into specific signals within the timing constraints of the target DDR memory. Signals from the controller are used by the PHY to produce internal signals that connect to the pads of the PS using the PHY. The pads connect directly, via the PCB signal traces, to the external memory devices.

The arbiter arbitrates across the four AXI ports for access to the DDR core. The arbitration is priority based and also allows promotion of priorities via an *urgent* mechanism.



### 10.1.3 Notices

#### 7z010 CLG225 Device Note

All devices support the 32- and 16-bit data bus width options except the 7z010 CLG225 device. The 7z010 CLG225 supports only the 16-bit data bus width, not the 32-bit bus.

### 10.1.4 Interconnect

The four AXI\_HP interfaces are multiplexed down, in pairs, and are connected to ports 2 and 3 as shown in Figure 10-2. These ports are commonly configured for high bandwidth traffic. The path from these four interfaces to the DDR include two ports on the DDR memory port arbiter. The interconnect switch arbitrates back-and-forth between each of the two ports. Read and write channels operate separately. The arbitration in the bridge can be affected by the QoS signals from each PL interface. A requestor with a higher QoS value is given preferential treatment by the interconnect bridge. Arbitration is priority based using QoS as priority. In the event of a tie, an LRG scheme is used to break the tie.

The L2-cache is connected to port 0 and is used to serve the CPUs and the ACP interface to the PL. This port is commonly configured for low-latency. The other masters on the AXI interconnect are connected to port 1.

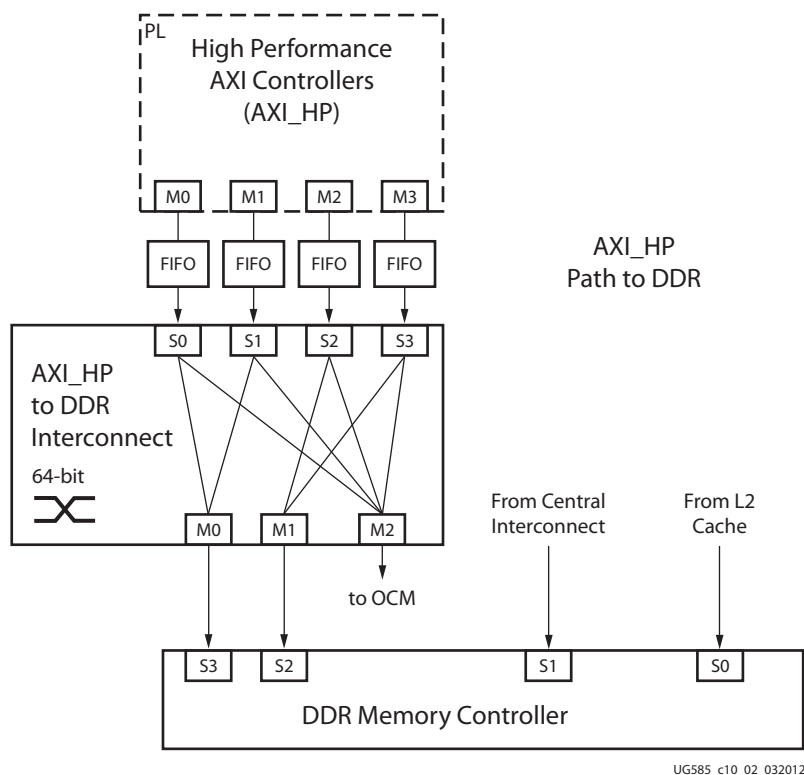


Figure 10-2: DDRC System Viewpoint

## 10.1.5 DDR Memory Types, Densities, and Data Widths

The DDR memory controller is able to connect to devices under the conditions identified in [Table 10-1](#).

Table 10-1: Connectivity Limitations

Parameter	Value	Notes
Maximum Total Memory Density	1 GB	1 GB of address map is allocated to DRAM
Total Data Width (bits)	16, 32	ECC can only use a 32-bit configuration: 16 data bits, 10 check bits
Component Data Width (bits)	8, 16, 32	4-bit devices are not supported
Maximum Ranks	1	
Maximum Row Address (bits)	15	
Maximum Bank Address (bits)	3	

[Table 10-2](#) provides a collection of example memory configurations.

Table 10-2: Example Memory Configurations

Technology	Component Configuration	Number of Components	Component Density	Total Width	Total Density
DDR3/DDR3L	x16	2	4 Gb	32	1 GB
DDR2	x8	4	2 Gb	32	1 GB
LPDDR2	x32	1	2 Gb	32	256 MB
LPDDR2	x16	2	4 Gb	32	1 GB
LPDDR2	x16	1	2 Gb	16	256 MB

## 10.1.6 I/O Signals

The DDR signal pins are listed in [Table 10-3](#). The DDR I/O buffers are powered by the VCC\_DDR power pins. The I/O state (including initial state) of the DDR signals is controlled via registers:

- slcr.DDRIOB\_ADDR0
- slcr.DDRIOB\_ADDR1
- slcr.DDRIOB\_DATA0
- slcr.DDRIOB\_DATA1
- slcr.DDRIOB\_DIFF0
- slcr.DDRIOB\_DIFF1
- slcr.DDRIOB\_CLOCK

The output characteristics are controlled by the following registers and are reserved to specific values produced by Xilinx tools:

- slcr.DDRIOB\_DRIVE\_SLEW\_ADDR

- slcr.DDRIOB\_DRIVE\_SLEW\_DATA
- slcr.DDRIOB\_DRIVE\_SLEW\_DIFF
- slcr.DDRIOB\_DRIVE\_SLEW\_CLOCK

The input Vref settings are controlled by slcr.DDRIOB\_DDR\_CTRL. The DDR DCI settings are controlled by slcr.DDRIOB\_DCI\_CTRL.

**Note:** The 7z010 CLG225 device supports only a 16-bit data bus width, not a 32-bit bus width.

Table 10-3: DDR I/O Signal Pin List

Device Pin Name	I/O	Connections			Description
		DDR2	LPDDR2	DDR3/DDR3L	
PS_DDR_CKP PS_DDR_CKN	O	X	X	X	Differential clock outputs
PS_DDR_CKE	O	X	X	X	Clock enable
PS_DDR_CS_B	O	X	X	X	Chip select
PS_DDR_RAS_B	O	X		X	RAS row address strobe
PS_DDR_CAS_B	O	X		X	RAS column address strobe
PS_DDR_WE_B	O	X		X	Write enable
PS_DDR_BA[2:0]	O	X		X	Bank address
PS_DDR_A[14:0]	O	X	X	X	DDR3/DDR3L/DDR2: Row/Column Address LPDDR2: CA[9:0] = DDR_A[9:0]
PS_DDR_ODT	O	X		X	Output dynamic termination signal
PS_DDR_DRST_B	O			X	Reset
PS_DDR_DQ[31:0]	IO	X	X	X	32-bit Data bus: [31:0] 16-bit Data bus: [15:0] 16-bit Data with ECC
PS_DDR_DM[3:0]	O	X	X	X	Data byte masks
PS_DDR_DQS_P[3:0] PS_DDR_DQS_N[3:0]	IO	X	X	X	Differential data strobes
PS_DDR_VR{P,N}	~	X	X	X	DCI voltage reference. Used to calibrate input termination, and DDR I/O drive strength. Connect DDR_VRP to a resistor to GND. Connect DDR_VRN to a resistor to VCC_DDR.
PS_DDR_VREF[1:0]	~	X	X	X	Voltage reference

## 10.2 AXI Memory Port Interface (DDRI)

### 10.2.1 Introduction

Each AXI master port has an associated slave port in the arbiter. The command FIFO located inside the port stores the address, length and ID contained in the command. The RAM in the write port

stores the write data and byte enable. The RAM in the read port stores the read data coming back from the core.

Because the read data coming back from the core can come out of order, the RAM is used for data re-ordering. Each AXI command can make a request (write or read) for up to 16 data transfers (up to the AXI limit). A single command coming from the AXI can be split into multiple requests going to the arbiter logic and the controller.

The incoming command is first stored in the command FIFO. After a valid command is detected in the write or read port, the value of the length field is checked and the number of requests associated with this command is calculated. The logic then sends arbiter requests to the arbitration logic. The arbitration logic looks at the requests from all the ports and gives the grant to one port at a time.

When a write port receives the grant from the arbiter, it generates write address, and write data pointer and asserts the command valid. A read port on receiving grant generates read address, read command length and the read token and asserts the command valid. Requests from various ports are multiplexed using the grant signal.

When a write command is accepted by the DDR controller, it sends the write data pointer back to the arbiter. The write data from all ports is multiplexed using the port ID contained in the write data pointer.

When the read data comes back from the core, an associated ID is used to direct the data to the appropriate read port. According to AXI specifications, the read data with the same ID is required to be given back to the AXI read master in the same order in which read commands were received by the port.

## 10.2.2 Block Diagram

The block diagram of the DDRI is shown in Figure 10-3.

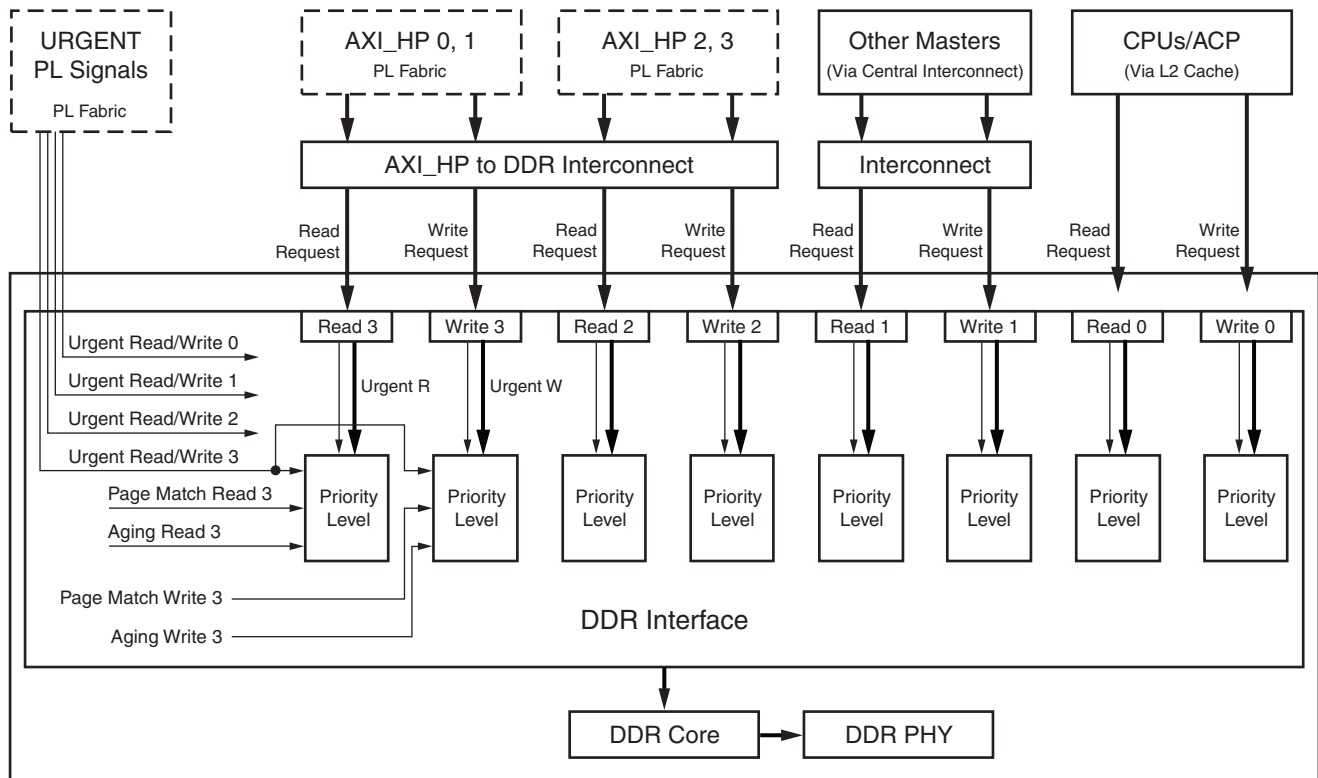


Figure 10-3: DDRI Block Diagram

## 10.2.3 AXI Feature Support and Limitations

This list shows supported and unsupported features for the AXI ports into the DDRI:

- Fixed burst type is not supported. Note that the behavior is unknown if this transfer type is received at one of the AXI ports.
- Byte, half-word and word sub-width commands are supported.
- EXCL accesses are only supported on a single DDR port, ie., there is no support for EXCL accesses across DDR ports.
- AWPROT/ARPROT[1] bit is used for trust zone support, AWPROT/ARPROT[0], and AWPROT/ARPROT[2] bits are ignored and do not have any effect.
- ARCACHE[3:0]/AWCACHE[3:0] (cache support) are ignored, and do not have any effect.
- Sparse AXI write transfers (random strobes asserted/de-asserted for any data beat) are supported.
- Unaligned transfers are supported.

### 10.2.4 TrustZone

The DDR memory can be configured in 64 MB sections. Each section can be configured to be either secure or non-secure. This configuration is provided via a system level control register.

- A 0 on a particular bit indicates a secure memory region for that particular memory segment.
- A 1 on a particular bit indicates a non-secure memory region for that particular memory segment.

In the case of a non-secure access to a secure region, a DECERR response is returned back to the master. For writes, the write data is masked out before being sent to the controller which results in no actual writes occurring in the DRAM. On reads, the read data is all zeros on a TZ violation. For more information on TrustZone see *Programming ARM TrustZone Architecture on the Xilinx Zynq-7000 All Programmable SoC* (UG1019).

## 10.3 DDR Core and Transaction Scheduler (DDRC)

The DDRC is comprised of queues for pending read and write transactions and a scheduler that pops off the queues and sends the next transaction to the DDR PHY. Between the DDRI and the DDRC, there is arbitration logic to decide which transaction is sent to the DDRC next.

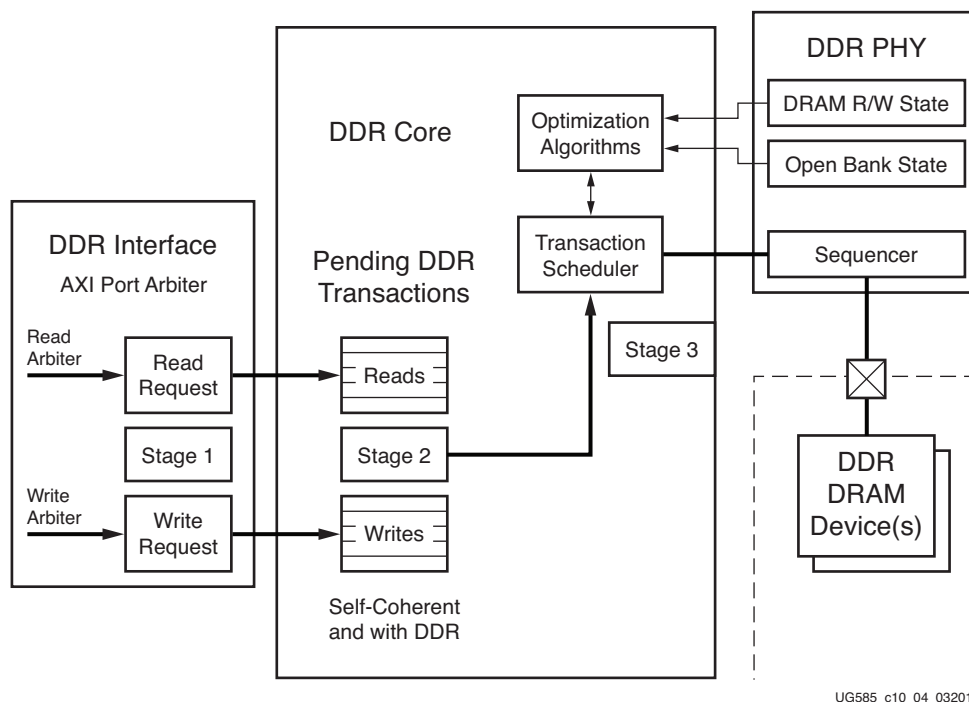


Figure 10-4: DDRC Block Diagram

### 10.3.1 Row/Bank/Column Address Mapping

The DDRC is responsible for mapping byte-addressable physical addresses used by the PS and PL AXI masters to DDR row, bank and column addresses. This address mapping has a limited configurability to allow user optimization. Optimizing the mapping to specific data access patterns can allow increased DDR utilization by reducing page and row change overhead.

**Note:** Many combinations of address remapping are not available, notably a complete bank-row-column mapping.

The address mapper associates linear request addresses to DRAM addresses by selecting the AXI bit that maps to each and every applicable DRAM address bit. The full available address space is only accessible to the user when no two DRAM address bits are determined by the same AXI address bit.

Each DRAM row, bank, and column address bit has an associated register vector to determine its associated AXI source in the DDRC `DRAM_addr_map_bank`, `DRAM_addr_map_row`, and `DRAM_addr_map_col` registers. The associated AXI address bit is determined by adding the internal base of a given register to the programmed value for that register, as described in the following equation:

$$[\text{internal base}] + [\text{register value}] = [\text{AXI address bit number}]$$

For example, from the description for `reg_ddrc_addrmap_col_b3`, it can be seen that this register determines the mapping for DRAM column bit 4 and its internal base is 3. When the full data bus is in use, DRAM column bit 4 is determined by the following:

$$[\text{internal base}] + [\text{register value}].$$

If `reg_ddrc_addrmap_col_b3` register is programmed to 2, then the AXI address bit is:

$$3 + 2 = 5.$$

In other words, the column address bit 4 sent to DRAM is mapped to AXI address bit `*_ADDR[5]`.

All the column bits left-shift one bit in half bus width mode (including ECC). In this case, `reg_ddrc_addrmap_col_b2` determines the mapping of DRAM column address bit 4. In the full bus width case, `reg_ddrc_addrmap_col_b3` determines DRAM column address 4.

---

## 10.4 DDRC Arbitration

The DDRC arbitration consists of three stages (see [Figure 10-5](#)):

- Stage 1 is AXI read/write port arbitration
- Stage 2 is winner of read and write compete
- Stage 3 is transaction scheduler

Each of these stages has their own arbitration steps that will be discussed in more detail.

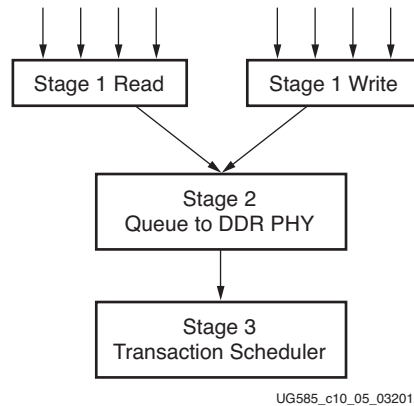


Figure 10-5: DDRC Arbitration

### 10.4.1 Priority, Aging Counter and Urgent Signals

DDR controller arbitration is based on round robin with aging. The round robin mechanism circularly scans all requesting devices and services all outstanding requests before servicing the same device again. The aging mechanism measures the time each request has been pending and assigns higher priority to requests with longer wait times.

Each of the DDRC read and write ports is assigned a 10-bit priority value (see registers `axi_priority_wr_port0-3` and `axi_priority_rd_port0-3`). This value is used as an initial value for an aging counter that counts down. Thus at any instant, a lower aging counter value takes priority over a higher one.

In addition, each of the DDRC read and write ports has an *urgent* input signal. This signal acts as a reset to the aging counter. When urgent is asserted, the aging counter for that port is reset, instantly making this port's priority the highest. The source of the urgent bit is selectable via an SLCR host-programmable register (`DDR_URGENT_SEL`) to be one of the following:

- The most-significant bit of the 4-bit QoS signal in the AXI interface for a port (except for memory port 0 used by the CPUs and APU)
- A programmable SLCR register value (`DDR_URGENT`)
- One of the PL signal `DDRARB[3:0]` bits

While the priority value is static in nature, the urgent bit and QoS signal can be manipulated dynamically.

### 10.4.2 Page-Match

To improve DDR utilization, the address of each new request is compared with the address of the previous request. The DDRC has a preference for taking new requests that are to the same page as the previous request. The memory port compares the addresses to determine if there is a page match. A port that has been selected by the arbiter continues to get preference (priority 0) as long as there continues to be page hits. They will compete against other ports with a priority of 0.



The page size is defined by PAGE\_MASK (32 bit register that all bits are the mask) and is always address aligned. For proper operation, the software must program the page size in the PAGE\_MASK to match the size of the DDR memory. Setting this register to 0 disables the page-match step of the arbitration.

### 10.4.3 Aging Counter

When a request is pending and not serviced, a decrementing aging counter is enabled. The starting value of this counter is loaded from the 10-bit value in the priority register (`axi_priority_<rd/wr>_port<n>`, there are 8 registers, one for each ports). The counter reloads when the request is serviced. The value of this counter is used to help indicate the priority of an AXI memory port. The lower the value of this counter, the higher the priority. When the priority reaches 0, the request has the highest priority.

For arbitration purposes, only the upper-most 5 bits are used to differentiate priority among ports. This keeps the arbitration mechanism to a manageable size and latency, while still comprehending an approximation of the age-based priority of each port.



---

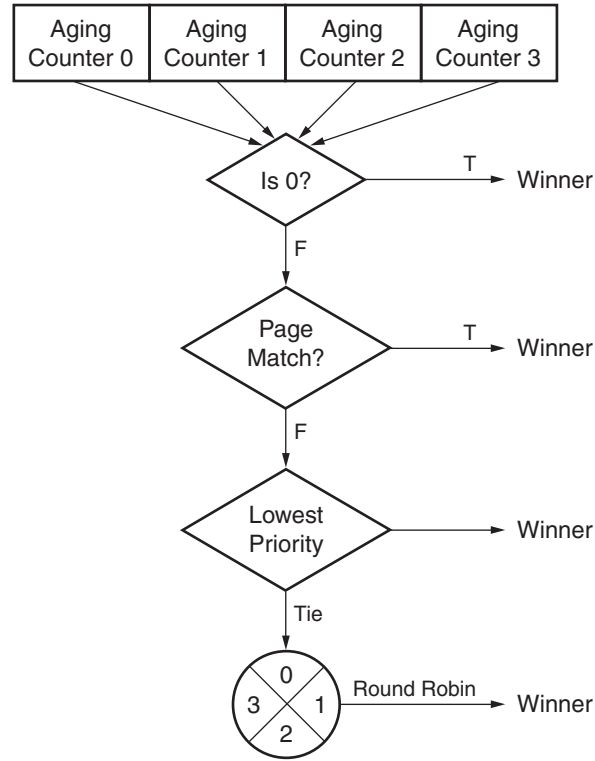
**TIP:** *In normal usage mode, enabling aging is the suggested option. Disabling aging can result in excessive latencies/starvation of low priority ports.*

---

### 10.4.4 Stage 1 – AXI Port Arbitration

The eight ports (four read and four write) compete to get the DDRC to accept their request. The arbiter grants a request based on many factors. Read and write requests are treated the same, meaning they go through the same arbitration. Each port maintains a priority level that steadily moves from a preset state to the highest state or 0. This mechanism is important to maintain a minimum bandwidth on a port. Each port also has different ways to signal an urgent situation, either on a per-transaction basis (QoS) or for multiple transactions. The per-transaction urgency can be good for low-latency masters.

The priority as shown in [Figure 10-6](#) has the following logic. If there is a port with Priority 0 or 0 in its aging counter (the highest priority), then it wins. If there is no port with 0 priority, the arbitration checks if the port being serviced has a page match. If there is no page match, the lowest value in the aging counter wins. If there is a tie for the lowest value in the aging counter, round robin is used to resolve any ties.



UG585\_c10\_06\_050212

Figure 10-6: Stage 1 – AXI Port Arbitration

## 10.4.5 Stage 2 – Read Versus Write

The reads and the writes each have a queue in the DDR Core. The entries in these queues then vie for the next level of arbitration, shown in [Figure 10-7](#).

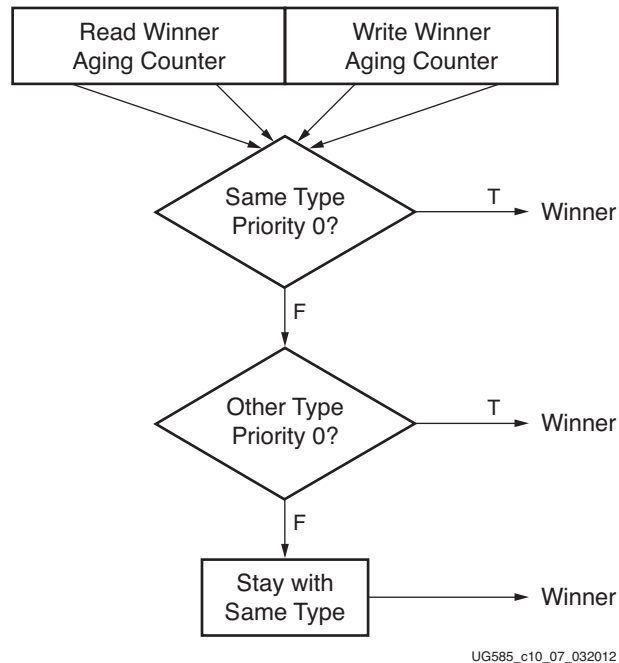
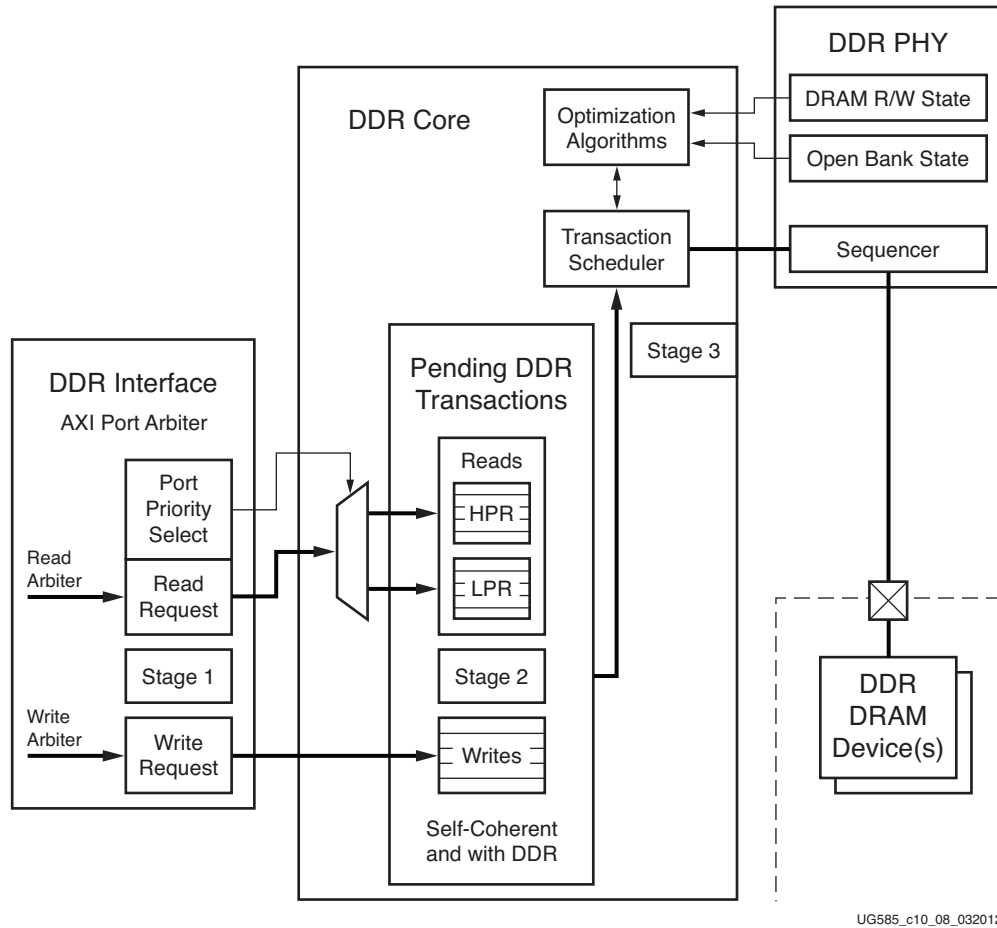


Figure 10-7: Stage 2 – Read Versus Write

This stage of arbitration starts with the aging counter as shown in [Figure 10-7](#). If there is a same type of transaction with a priority 0, it wins. For example if a read won the last round of arbitration and there is a read with priority 0, it wins. If there is not a same type of transaction with priority 0, and another type of transaction with a priority 0 is present, it wins. If there is no Priority 0 in the queue then it stays with the same type of transaction. An appropriate credit availability check is done before selecting any request in all the above cases.

## 10.4.6 High Priority Read Ports

Before going into Stage 3 of the arbitration, a feature of the DDRC, the high priority read, needs to be described. The HPR, or high priority read feature, allows splitting the read data queue (32 words) within the DDRC into two separate queues for low and high priority. Each of the four read ports can be assigned a low or high priority. By default this feature is disabled. When used, a high priority read device is not slowed down by the (potentially slower) read data rate of a low-priority device. In a typical use case, HPR is enabled on port 0 (CPU), thus reducing the CPU average read latency. The split of the read data queue does not have to be two equal parts. Thus giving the CPU a small queue to bypass the larger queue to service reads that need a lower latencies. [Figure 10-8](#) shows where the read queue is split.



UG585\_c10\_08\_032012

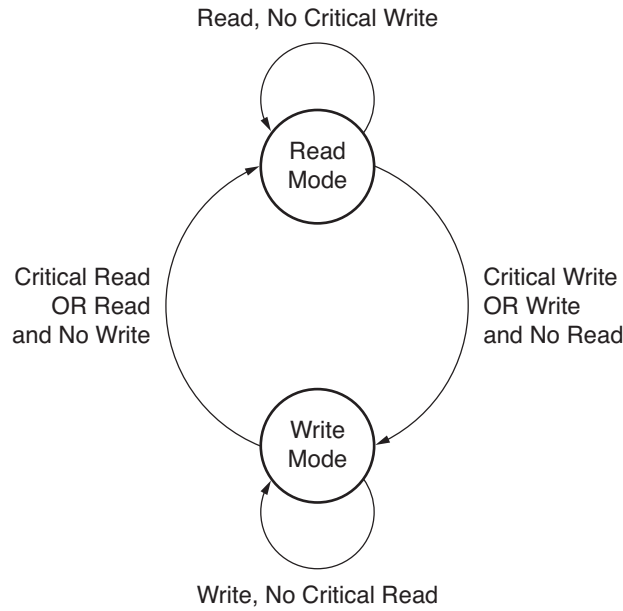
Figure 10-8: Read Queue

This can be changed by setting the `reg_arb_set_hpr_rd_port<n>` bit to `1'b1` for AXI ports (this is in the `axi_priority_rd/wr_port<n>` register). The DDRC is configured by default to serve only LPR. The read CAM can service only LPR by default. The total CAM depth is 32 for Read. (However, one slot is always allocated for ECC purposes.) The `reg_ddrc_lpr_num_entries` register field in the DDRC `ctrl_reg1` register specifies the number of entries reserved for LPR. Taking 31 and subtracting the `reg_ddrc_lpr_num_entries` gives the number of entries reserved for HPR.

It is necessary to change the `REG_DDRC_LPR_NUM_ENTRIES` field if a port is configured as an HPR port to avoid deadlock in the credit mechanism

### 10.4.7 Stage 3 – Transaction State

The transaction state is the last stage of arbitration before the transaction goes to the DDR PHY and the DDR device. The transaction state can be read or write. To change the transaction state there must be no more transactions of that type or there can be a critical transaction of the other type. Figure 10-9 shows the simple state machine for this.



UG585\_c10\_09\_032012

Figure 10-9: Stage 3 – Transaction State

The transaction state stays the same until the other type of transaction is critical or there is no more of that type of transaction. The state machine defaults to the read state. Table 10-4 shows how a transaction in the queue can go from a normal state to critical.

Table 10-4: Transaction Store State Transitions

Normal	Critical	A transaction has been pending for this transaction store and has not been serviced for a count of *_max_starve_x32 pulses of the 32-cycle timer.
Critical	Hard Non-Critical	*_xact_run_length number of transactions has been serviced from this transaction store.
Hard Non-Critical	Normal	*_min_non_critical number of cycles has passed in this state.

**Notes:**

\* Can be WR, LPR or HPR. Example is wr\_max\_starve\_x32 which is a field of the WR\_Reg.

Taking the low priority read transaction store as an example, it is expected that the transaction store generally functions independently based on the following signals:

- lpr\_max\_starve\_x32
- lpr\_xact\_run\_length
- lpr\_min\_non\_critical

The reg\_arb\_go2critical\_en field in the DDRC ctrl\_reg2 register enables the arbiter to drive co\_gs\_go2critical\_\* signals to the DDRC. There are sideband signals on AXI (awurgent and arurgent) that drive the co\_gs\_go2critical\_\* signals. If any port asserts their urgent sideband signal, and if this feature is enabled, the arbiter asserts the corresponding co\_gs\_go2critical\_\* signal to the controller.

Inside the controller, assertion of this signal causes the state machine to switch from one state to another. For example, if the DDRC is currently servicing reads and `co_gs_go2critical_wr` goes High, the controller ignores the normal state switching methods (starvation counter etc), and jumps to servicing writes. There is a register in the controller to control how long to keep servicing the current command type before switching to the other (`reg_ddrc_go2critical_hysteresis` field in the DDRC `ctrl_reg2`).

In summary, this `go2critical` feature is used in the controller and ensures fast switching between reads and writes for transactions with super high priority.

**Note:**

1. The normal programming condition is expected to be `reg_ddrc_prefer_Write=0`. (this is a bit field in the `DRAM_param_reg4` register) This means that the read requests are always serviced immediately when received by an idle controller. Also, it is often desirable to set the `reg_ddrc_rdwr_idle_gap` (this field is in the `ddrc_ctrl` register) to a very low number (such as 0, 1, or 2) to ensure that writes do not go un-serviced in an otherwise-idle controller for any length of time, wasting bandwidth. (The trade-off here is that by servicing writes more quickly, the likelihood increases that reads issued to the controller immediately following writes incurs additional latency to allow writes to be serviced and turn the bus around.)
2. Because the ordering is guaranteed on all requests issued to the controller, write latency must not be a concern to system design. (In the event that write data is required by a subsequent read, the controller automatically forces the write data out to DRAM before servicing the read.)

## 10.4.8 Read Priority Management

Normally in a read mode, high priority read requests are preferred for service over low priority read requests. However, if the low priority read transaction store is critical and the high priority read transaction store is not, then low priority read requests are preferred over high priority read requests. This prevents starvation of low priority reads.

## 10.4.9 Write Combine

The write combine feature allow multiple writes to the same address to be combined into a single write to DRAM. When a new write collides with a queued write in the CAM:

- If write combine is enabled, the DDRC overwrites the data for the old write with that from the new write and only performs one write transaction (write combine).
- If write combine is disabled, the DDRC follows the following sequence of operations:
  - Holds the new write transaction in a temporary buffer
  - Applies flow control back to the core to prevent more transactions from arriving
  - Flushes the internal queue holding the colliding transaction until that transaction has been serviced
  - Accepts the new transaction and removes flow control

## 10.4.10 Credit Mechanism

The DRAM controller employs a credit mechanism to ensure that buffers do not overflow (pending DDR transactions). The interface making the request to the controller can only request commands for which it has been granted credits or open slots in the queues to issue.

Credits are tracked separately for the following three command types:

- High priority reads
- Low priority reads
- Writes

Credits are counted for each command type independently according to the following rules:

- Initially the interface has zero credits.
- Following the de-assertion of reset to the DRAM controller, credits are issued to the interface for each command type. A given credit count increments every time a credit is issued by the DRAM controller, indicated by the assertion of the appropriate \*\_credit signal on the rising edge of the clock.
- When the credit count is greater than zero, the interface can issue requests of that type to the controller. Each time a request is issued to the controller, the associated credit count is decremented.

---

## 10.5 Controller PHY (DDRP)

The DDRP processes read and write requests from the DDRC and translates them into specific signals within the timing constraints of the target DDR memory. The DDRP is composed of functional units including PHY control, master DLL, and read/write leveling logic. The PHY data slice block handles the DQ, DM, DQS, DQ\_OE and DQS\_OE signals. The PHY control block synchronizes all of the control signals with the DDR\_x3 clock.

There are two kinds of DLLs, the master DLL, and the slave DLL. The DLLs are responsible for creating the precise timing windows required by the DDR memories to read and write data. The master DLL measures the cycle period in terms of a number of taps and passes this number through the ratio logic to the slave DLLs. The slave DLLs can be separated on the target die to minimize skew and delay and to account for process, temperature and voltage variations.

Write leveling and read leveling are new functions required for DDR3, DDR3L operation. These functions help automatically determine delay timings required to align data to the optimal window for reliable data capture:

- Read leveling and write leveling for DDR3, DDR3L
- Support for 16- and 32-bit data bus width with one rank
- Optional ECC with a 16-bit data width
- Individual bytes with read data mask bits

## 10.6 Initialization and Calibration

To start operation of the PS DRAM interface, the following sequence of operations must take place:

1. DDR clock initialization
2. DDR I/O buffers (DDR IOB) initialization and calibration
3. DDR controller (DDRC) register programming
4. DRAM reset and initialization
5. DRAM input impedance (ODT) calibration
6. DRAM output impedance (Ron) calibration
7. DRAM Training
  - a. Write leveling
  - b. Read DQS gate training
  - c. Read data eye training

This section is intended for reference and debug purposes only. Generally, programming for steps 1–7 are provided by the Vivado® Design suite.

### 10.6.1 DDR Clock Initialization

Prior to DDR initialization, a DDR clock must be active. Both the DDR\_2x and DDR\_3x clocks must be configured properly. The DDR\_3x clock is the clock used by the DRAM and should be set to the desired operating frequency (note that the data rate per bit is twice the operating frequency). The DDR\_2x clock is used by the interconnect and is typically set to 2/3 of the operating frequency. The DDR PLL frequency should be set to an even multiple of the operating frequency.

Table 10-5 provides frequency configuration examples assuming a 50 MHz reference clock.

Table 10-5: Frequency Configuration Examples

Operating Frequency	DDR PLL Frequency	DDR_3x Clock Frequency	DDR_2x Clock Frequency	PLL Feedback Divider	DDR_3x Clock Divider	DDR_2x Clock Divider
525.00	1050.00	525.00	350.00	21	2	3
400.00	1600.00	400.00	266.67	32	4	6



Programming the DDR clock involves the DDR\_PLL\_CTRL and DDR\_CLK\_CTRL registers in the SLCR. Please refer to section 25.10.4 PLLs in Chapter 25, for DDR PLL programming.

In addition to the main DDR clock, a 10 MHz clock is used by the digitally controlled impedance (DCI) function built into the DDR IOB. This clock is configured via the SLCR DCI\_CLK\_CTRL register.

## 10.6.2 DDR IOB Impedance Calibration

The DDR IOBs support calibrated drive strength and termination strength using the DCI digitally controlled impedance mode of the IOB. In DDR2/DDR3/DDR3L modes this is used to calibrate termination strength. In LPDDR2 mode this is used to calibrate drive strength. The DCI state machine requires two external pins, VRN and VRP, which are connected to external resistors to V<sub>CCO\_DDR</sub> and ground, respectively. DCI settings are shown in Table 10-6.

Table 10-6: DCI Settings

DDR standard	Termination Impedance	Drive Impedance	VRN resistor (to V <sub>CCO_DDR</sub> )	VRP resistor (to ground)
DDR3/DDR3L	40Ω	N/A	80Ω	80Ω
DDR2	50Ω	N/A	100Ω	100Ω
LPDDR2	None	40Ω	40Ω	40Ω

When enabled, the DCI state machine will automatically match drive and termination impedance to the external resistors. This background calibration takes 1-2 ms to lock and then runs continuously.

### Calibration

1. Configure the clock module to configure a 10 MHz clock on dci\_clk
2. Enable the DDR DCI calibration system using the SLCR registers DDRIOB\_DCI\_CTRL and DDRIOB\_DCI\_STATUS
  - a. Toggle DDRIOB\_DCI\_CTRL.RESET\_B to 0 and set to 1
  - b. Set DDRIOB\_DCI\_CTRL.PREF\_OPT, and NREF\_OPT fields according to Table 10-7
  - c. Set DDRIOB\_DCI\_CTRL.UPDATE\_CONTROL to 0
  - d. Set DDRIOB\_DCI\_CTRL.ENABLE to 1
  - e. Poll on the DDRIOB\_DCI\_STATUS.DONE bit until it is 1

Table 10-7: Calibration

Field Name	Reset	Power Down	DCI Enable DDR3/DDR3L	DCI Enable DDR2	DCI Enable LPDDR2	DCI Disabled
UPDATE_CONTROL	0	0	0	0	0	1
PREF_OPT2[2:0]	000	000	000	000	000	000
PREF_OPT1[1:0]	00	00	00	00	10	00
NREF_OPT4[2:0]	000	000	001	001	001	000
NREF_OPT2[2:0]	000	000	000	000	000	000
NREF_OPT1[1:0]	00	00	00	00	10	00

### 10.6.3 DDR IOB Configuration

The DDR IOBs must be configured to function as I/O. Each type of DDR IOB is controlled by two different SLCR configuration registers. The configuration registers configure the IOB's input mode, output mode, DCI mode, and other functions.

#### Configuration

The DDR system supports DDR3L/DDR3/DDR2/LPDDR2 in 16 and 32 bit modes and power down modes. The registers identified in Table 10-8 control groups of I/Os and must be configured depending on the particular mode.

Table 10-8: DDR IOB Configuration Registers

Register	Affected I/O Blocks	Description
DDRIOB_DDR_CTRL	VREF, VRN, VRP, DRST	Controls special I/O modes for internal and external VREF and DCI reference pins VRN and VRP
DDRIOB_DCI_CTRL	DCI controller	Enables the DCI controller
DDRIOB_DCI_STATUS	DCI controller	Status for the DCI controller
DDRIOB_ADDR0 DDRIOB_ADDR1	DDR_A[14:0], DDR_CKE, DDR_BA[2:0], DDR_ODT, DDR_WE_B, DDR_CAS_B, DDR_RAS_B, DDR_CS_B	Configuration settings for address and control outputs used by LPDDR2, DDR2 and DDR3/DDR3L
DDRIOB_CLOCK	DDR_CK_P, DDR_CK_P	Configuration settings for the differential clock outputs. Controls DDR_CK_P, DDR_CK_P
DDRIOB_DATA0	DDR_DQ[15:0], DDR_DM[1:0], DDR_FIFO_IN[0], DDR_FIFO_OUT[0]	Configuration settings for data and mask bits for lower 16-bits
DDRIOB_DATA1	DDR_DQ[31:16], DDR_DM[3:2], DDR_FIFO_IN[1], DDR_FIFO_OUT[1]	Configuration settings for data and mask bits for upper 16-bits
DDRIOB_DIFF0	DDR_DQS_P[1:0], DDR_DQS_N[1:0]	Configuration settings for dqs bits for lower 16-bits
DDRIOB_DIFF1	DDR_DQS_P[3:2], DDR_DQS_N[3:2]	Configuration settings for dqs bits for upper 16-bits
DDRIOB_DRIVE_SLEW_ADDR	DDR_A[14:0], DDR_CKE, DDR_BA[2:0], DDR_ODT, DDR_WE_B, DDR_CAS_B, DDR_RAS_B, DDR_CS_B	Drive strength and slew rate settings for address and control output
DDRIOB_DRIVE_SLEW_CLOCK	DDR_CK_P, DDR_CK_P	Drive strength and slew rate settings for the clock outputs
DDRIOB_DRIVE_SLEW_DATA	DDR_DQ[31:0], DDR_DM[3:0], DDR_FIFO_IN[1:0], DDR_FIFO_OUT[1:0]	Drive strength and slew rate settings for data I/Os
DDRIOB_DRIVE_SLEW_DIFF	DDR_DQS_P[3:0], DDR_DQS_N[3:2]	Drive strength and slew rate settings for data strobe I/Os

Set the IOB configuration as follows:

1. Set DCI\_TYPE to DCI Drive for all LPDDR2 I/Os.
2. Set DCI\_TYPE to DCI Termination for DDR2/DDR3/DDR3L bidirectional I/Os.
3. Set OUTPUT\_EN = obuf to enable outputs.

4. Set TERM\_DISABLE\_MODE and IBUF\_DISABLE\_MODE to enable power saving input modes. The TERM\_DISABLE\_MODE and IBUF\_DISABLE\_MODE fields should not be set before DDR training has completed.
5. Set INP\_TYPE to  $V_{REF}$  based differential receiver for SSTL, HSTL for single ended inputs.
6. Set INP\_TYPE to Differential input receiver for differential inputs.
7. Set TERM\_EN to enabled for DDR3/DDR32L and DDR2 bidirectional I/Os (Outputs and LPDDR2 I/Os are not terminated).
8. Set DDRIOB\_DATA1 and DDRIOB\_DIFF1 registers to power down if only 16 bits of DQ DDR are used (including ECC bits).
9. For DDR2 and DDR3/DDR3L – DCI only affects termination strength, so address and clock outputs do not use DCI.
10. For LPDDR2 – DCI affects drive strength, so all I/Os use DCI.

## VREF Configuration

DDR I/Os use a differential input receiver. One input to this receiver is connected to the data input, and the other is connected to a voltage reference called  $V_{REF}$ . For DDR2/3 and LPDDR2 DRAM interfaces, the  $V_{REF}$  voltage is set to half of the I/O  $V_{CCO}$  voltage. The  $V_{REF}$  can be supplied either externally over dedicated  $V_{REF}$  pads, or from an internal voltage source. External  $V_{REF}$  is recommended for all designs to provide additional timing margin, but requires external board components. To configure the  $V_{REF}$  reference supply, set the DDRIOB\_DDR\_CTRL register as follows:

- To enable internal  $V_{REF}$ 
  - Set DDRIOB\_DDR\_CTRL.VREF\_EXT\_EN to 00 (disconnect I/Os from external signal)
  - Set DDRIOB\_DDR\_CTRL.VREF\_SEL to the appropriate voltage setting depending on the DDR standard ( $V_{REF}=V_{CCO\_DDR}/2$ )
  - Set DDRIOB\_DDR\_CTRL.VREF\_INT\_EN to 1 to enable the internal  $V_{REF}$  generator
- To enable external  $V_{REF}$ 
  - Set DDRIOB\_DDR\_CTRL.VREF\_INT\_EN to 0 to disable the internal  $V_{REF}$  generator
  - Set DDRIOB\_DDR\_CTRL.VREF\_SEL to 0000
  - Set DDRIOB\_DDR\_CTRL.VREF\_EXT\_EN to 11 to connect the IOBs  $V_{REF}$  input to the external pad for a 32-bit interface
  - Set DDRIOB\_DDR\_CTRL.VREF\_EXT\_EN to 01 to connect the IOBs  $V_{REF}$  input to the external pad for a 16-bit interface

## 10.6.4 DDR Controller Register Programming

Prior to enabling the DDRC, all DDRC registers must be initialized to system-specific values. About 80 registers with over 350 parameters might be set or left at their power-on default values. The DDRC is then enabled, by writing to the ddrc\_ctrl register. Once enabled, the DDRC automatically performs the initialization steps 4-7 ([Initialization and Calibration](#)). DDRC operation is autonomous, requiring no further programming unless functionality changes are desired (e.g. changing AXI port priority levels).

## 10.6.5 DRAM Reset and Initialization

The DDRC performs DRAM reset and initialization per the JEDEC specs, including reset, refresh, and mode registers initialization.

## 10.6.6 DRAM Input Impedance (ODT) Calibration

The DRAM mode and extended mode set commands are controlled by the `ddrc.DRAM_EMR_MR_reg` and `ddrc.DRAM_EMR_reg` registers. The encoding for these registers can be found in DRAM device data sheets or JEDEC specifications. The register format for of these commands are shown in [Appendix B, Register Details](#).

The on-die-termination (ODT) is available in DDR2 and DDR3/DDR3L devices with the following features:

- In DDR3/DDR3L devices, the ODT value is controlled via Mode register MR1. It can be disabled, or set to one of the following values: 120Ω, 60Ω, or 40Ω.
- In DDR2 devices, the ODT value is controlled via the mode register EMR. It can be disabled, or set to one of the following values: 75Ω, 150Ω, or 50Ω.
- Both DDR2 and DDR3/DDR3L devices have a dedicated ODT input pin that is used to enable the ODT during write operations, and disable it otherwise.

### Calibration

DDR3/DDR3L devices provide ODT calibration via the ZQCL and ZQCS commands. The ZQCL (ZQ calibration long) command is issued as part of the DRAM initialization procedure and is used for initial calibration, which takes about 512 DDR\_3x clock cycles. The ZQCS (ZQ calibration short) is subsequently issued automatically by the DDRC for minor calibration adjustments. A typical ZQCS interval is 100 ms.

DDR2 (and LPDDR2) devices do not provide ODT calibration.

## 10.6.7 DRAM Output Impedance ( $R_{ON}$ ) Calibration

DRAM device MR/EMR registers are controlled via the `ddrc.DRAM_EMR_MR_reg` and `ddrc.DRAM_EMR_reg` registers. MR/EMR encodings can be found in DRAM device data sheets or JEDEC specifications.

The output impedance control feature is available in DDR2, DDR3/DDR3L and LPDDR2 devices.

- In DDR2 devices, the value is controlled via the mode register EMR, and can be set to full strength or reduced strength.
- In DDR3/DDR3L devices, the value is controlled via the mode register MR1, and can be set to one of the following values: 40 $\Omega$  or 35 $\Omega$ .
- In LPDDR2 devices, the value is controlled via MR3, and can be set between 34 $\Omega$  and 120 $\Omega$  (default value is 40 $\Omega$ ).

### Calibration

In DDR3/DDR3L and LPDDR2 devices, the output impedance is calibrated by the same ZQCL/ZQCS commands discussed above.

In DDR2 devices, the DDR2 external calibration procedure (OCD for off-chip driver calibration) is not supported by the DDRC.

## 10.6.8 DRAM Training

DRAM training includes three steps, executed in the following order:

1. Write leveling
2. Read DQS gate training
3. Read data eye training

Not all DRAM types support all three steps, as detailed below. Each step can be enabled or disabled independently.

If a training step is enabled, the user must provide an initial delay value as a starting point of the automatic training procedure. The value is a rough estimate of the expected delay or skew (see details below) on the system board, minus some margin.

If a training step is disabled, the user must provide a delay value to be used to compensate for the board delay or skew.

There are several possible reasons why the user might choose to disable a training step.

- The step is not supported by the particular DRAM type. For example, write leveling is not supported by DDR2 and LPDDR2.
- Board delays are well-known and operating conditions are such that timing variance is minimal, and training is not required.
- Delay settings are known from previous training events.

Training time is on the order of 1-2 ms at a 500 MHz DRAM clock.

**Note:** For training to be successful, all of the data signals need to be connected to the DRAM device(s) even when ECC is used (16-bit data, 10-bit ECC).

## Write Leveling

Goal	Adjust WR DQS relative to CLK
Desired Nominal	DQS aligned with clock (0 phase offset)
Final Ratio	Equal to the DQS to CLK board delay at the DRAM
Initial Ratio	Final value minus 0.5 cycle. If < 0 set to 0. If skew is too small, invert clock.
Applies To	DDR3/DDR3L only

Write leveling is part of the DDR3/DDR3L specification. Due to the fly-by topology recommended for DDR3/DDR3L systems, the clock (CLK) tends to lag relative to write DQS at the DRAM input. In order to align CLK and DQS as required by the DRAM specification, the PHY delays the DQS signal to match the board skew. The write leveling procedure is used to find the required delay.

When write leveling is enabled (via MR1), the DRAM asynchronously feeds back CLK, sampled with the rising edge of DQS, through the DQ bus. The controller repeatedly delays DQS until a transition from 0 to 1 is detected. Write leveling is performed independently for each byte lane. The calibration logic OR's the DQ bits in a byte to determine the transition because different memory vendors use different bits in a byte as feedback.

The DDRC supports write leveling as part of the initialization procedure. Optionally, write leveling can be disabled and pre-determined delay values can be programmed via registers (required for DDR2 and LPDDR2 where write leveling is not supported).




---

**IMPORTANT:** Successful training depends on providing an approximate minimum DQS to CLK delay value. This value should be estimated based on system board layout as well as package delay information.

---

## Read DQS Gate Training

Goal	Adjust valid RD DQS window.
Desired Nominal	Surround the 4 (BL=8) valid DQS pulses
Final Ratio	2 * board delay. Add 0.5 cycle if the clock is inverted
Initial Ratio	Final ratio minus 0.125 cycle (0x20 units), but not < 0.
Applies To	DDR3/DDR3L, LPDDR2

The read DQS gate training is used by the PHY to identify the valid interval of read DQS and capture the read data. It is necessary to align the valid read window to the read data burst and exclude the preamble period and any period during which the DQS signal is tri-stated or driven by the PHY itself.

The DDRC supports read DQS gate training as part of the initialization procedure. Optionally, training can be disabled and pre-determined delay values can be programmed via registers (required for DDR2, where read training is not supported).

Note that when using LPDDR2, with read gate training, automatic training is not recommended. Instead, the following procedure is recommended (Xilinx tools implement this flow):

1. The even byte lanes are trained and the results are recorded by software.
2. The odd byte lanes are trained and the results are recorded by software.
3. The results from 1 and 2 are then applied during DRAM controller initialization, with automatic training disabled.




---

**IMPORTANT:** *Successful training depends on providing an approximate minimum Zynq-7000 AP SoC-to-DRAM board delay value. This value should be estimated based on system board layout.*

---

## Read Data Eye Training

Goal	Adjust RD DQS relative to RD data.
Desired Nominal	DQS edge in the middle of data eye
Final Ratio	Nominal ideal value is 0.25 cycle since at DRAM output DQ and DQS are aligned
Initial Ratio	None required
Applies To	DDR3/DDR3L, LPDDR2

Enabled by the MPR bit-field in MR3, DDR3/DDR3L Read data eye training is done to compensate for possible imbalanced loading on the read path. In this mode, the DRAM outputs a stream of 01010101 in a burst length of 8 bits with a regular memory read command. Given the known data pattern, the memory controller adjusts the internal DQS delay so that DQS edges occur in the middle of the data eye.

The DDRC supports read data eye training as part of the initialization procedure. Optionally, training can be disabled and pre-determined delay values can be programmed via registers (required for DDR2 where read training is not supported).

## 10.6.9 Write Data Eye Adjustment

There is no DDRC support for write data eye training, i.e., automatic alignment of write data relative to write DQS (recall that write leveling adjusts write DQS relative to CLK). However, manual alignment is possible.

Nominally, write DQS edges should be aligned in the middle of the write data eye at the DRAM inputs. The DDRC PHY provides a user-programmable phase shift value of data relative to DQS. The default nominal value is a 90 degrees phase shift. Given a balanced board design in which the DQ and DQS signals exhibit the same delay and loading, the default value is adequate. Otherwise, the user can provide a different phase shift value. The recommended value based on characterization

across PVT is slightly less than 90 degrees, and will be automatically provided by Vivado Design Suite for inclusion into the FSBL or other user code.

## 10.6.10 Alternatives to Automatic DRAM Training

If for some reason the automatic training is not successful, alternative calibration schemes can also be used.




---

**TIP:** *Training failures can be detected by performing a simple memory write-read-compare test. Since training is done independently for each byte lane, the memory test should check each data byte independently. In the event of training failure, two possible solutions are proposed here: a semi-automatic and a manual training method. As the method gets more manual, the training time increases. It is therefore recommended to follow this sequence:*

---

1. Try automatic training, verify board measurement-driven initial values
2. If failed, try semi-automatic training
3. If failed, use manual training

### Automatic Training

The standard training procedure is described above.

The estimated time for initialization and training is 1-2 ms.

### Semi-Automatic Training

This method is useful when system/board delays are known, but PVT timing uncertainty causes the automatic training to fail. Note that only two initial timing parameters are needed to enable successful automatic training:

- Write DQS to CLK skew
- The one-way board delay from Zynq to DRAM

These values are known in this case, but the PHY PVT variations modify these values in an additive fashion. Therefore, given a nominal delay value  $T$ , the actual value might be in the range  $(T-\delta, T+\delta)$ , where  $\delta$  is the maximum PVT variation.

The semi-automatic training method is performed as follows:

1. Divide the range  $(T-\delta, T+\delta)$  into  $n$  parts, and thus create  $(n+1)$  possible values for each of the two delay parameters.
2. Perform  $(n+1)^2$  automatic training procedures and follow each one with a memory test.

For example, for  $n=2$ , the three data points for each parameter are  $T-\delta$ ,  $T$ , and  $T+\delta$ . Perform nine automatic training procedures and observe the results. For  $n=4$ , perform 25 tests, etc.



As final parameters, pick the values that are in the center of the successful tests region. Note that each data byte lane (aka data slice) has its own independent parameters, and should be tested independently in the memory tests.

The estimated time for a training iteration is 1-2 ms plus the duration of the memory test. Assuming a simple 1,000 word read-write test and an average access time of 30 cycles, test duration is on the order of 60,000 cycles or about 0.12 ms at 500 MHz. Thus, a 25-iteration semi-automatic training might last 25-50 ms.

## Multi-Set Semi-Automatic Training



---

**RECOMMENDED:** *Before resorting to manual training, a multi-set semi automatic training method is recommended.*

---

The DDR PHY contains five adjustable delay elements, four of which are per byte lane (so the actual number of unique adjustable delay elements is 17). Of these five elements, only three are adjusted by the automatic training. These three elements are the write DQS delay, read DQS delay, and read data delay. The remaining two elements are the write data delay, and the control path delay, which take their value from a programmable register, and the value is not adjusted by the automatic training.

The automatic training process varies the delay of those three elements over a wide range, and the semi-automatic procedure increases that range. If both automatic and semi-automatic procedures fail, it is highly likely that one or both of the remaining two delay elements require adjustment.

Therefore, multiple sets of semi-automatic training procedures can be run, each set using different values of the two remaining delay values. Thus we still take advantage of the efficiency of the automatic training, and reduce the total number of experiments compared to all-manual training.

## Manual Training

This method is useful when nothing is known, or if the semi-automatic method has failed. In its simplest form, this method consists of:

- Disabling the automatic training
- Performing a manual sweep of all delay parameters over their entire range. For each setting:
  - Initialize the DDRC with training disabled
  - Perform a memory test
- Keeping a scoreboard of results
- Locating the mid-point of all delay parameters (which might be different for each data lane)

The recommended delay increment value per iteration is 1/32 of a clock cycle, thus requiring 32 iterations to cover a one-cycle delay range per parameter.

The estimated time for a manual training iteration is 700 us (500 us are required as part of the DRAM reset/initialization procedure for DDR3/DDR3L) plus the duration of the memory test, or about 0.8 ms. Simplifying assumptions can be used to reduce the search range, but even then the number of iterations might be on the order of 1,000, bringing the manual training time to about one second.

Table 10-9 provides summary of register values involved in manual training. All values are in units of 1/256 of a clock cycles (256 units = 1 clock cycle, 8 units = 1/32 of a clock cycle).

Table 10-9: Manual Training Register Summary

	Parameter	Register	Nominal Value	Minimum Suggested Search Range
1	Write DQS delay/write leveling	reg_phy_wr_dqs_slave_ratio[9:0]	DQS to DCLK delay	0 -256
2	Write data delay/write data eye adjustment	reg_phy_wr_data_slave_ratio[9:0]	DQS to DCLK delay + 64	64-320
3	Read DQS gate delay/read DQS gate training	reg_phy_fifo_we_slave_ratio[10:0]	2 * board delay	0-512
4	Read data to DQS delay/read data eye training	reg_phy_rd_dqs_slave_ratio[9:0]	53, placing the DQS edges in the middle of the data eye	0 - 104 <sup>(1)</sup>
5	Control	reg_phy_ctrl_slave_ratio[9:0]	128 (64 for LPDDR2)	64-192 (32-96 for LPDDR2)

**Notes:**

- Parameter 4 is an offset value relative to parameter 3.

### 10.6.11 DRAM Write Latency Restriction

Note that the minimum DRAM write latency supported is 3. This implies that the minimum CAS latency is 4.

## 10.7 Register Overview

In general, the DDRC registers are static and can only be changed while the DDRC is in reset. However, there is a set of registers labeled as dynamic in their description that can be modified at anytime.

### 10.7.1 DDRI

Table 10-10 shows an overview of DDRI registers. There are no dynamic bit fields in the DDRI registers.

Table 10-10: DDRI Registers Overview

Function	Register Name	Description
Arbitration	page_mask	Set this register based on the value programmed on the reg_ddrc_addrmap_* registers. Sets the column address bits to 0. Sets the page and bank address bits to 1. This is used for calculating page_match inside the slave modules in Arbiter. The page_match is considered during the arbitration process. This mask applies to 64-bit address and not byte address. Setting this value to 0 disables transaction prioritization based on page/bank match.
	axi_priority_{wr,rd}_port{0:3}	See <a href="#">Appendix B, Register Details</a> for descriptions of the eight registers variants.
Misc	axi_id	ID and revision information.

## 10.7.2 DDRC

Table 10-11 shows an overview of DDRC registers.

Table 10-11: DDRI Registers Overview

Function	Hardware Register Name	Dynamic Bit Fields	Description
Status	mode_sts_reg	~	Controller operation mode status
Transaction Scheduler	HPR_reg	~	HPR queue control
	LPR_reg	~	LPR queue control
	WR_reg	~	WR queue control
DDR Protocol	DRAM_param_reg0	[13:6]: t_rfc_min	DRAM parameters 0
	DRAM_param_reg1	~	DRAM parameters 1
	DRAM_param_reg2	~	DRAM parameters 2
	DRAM_param_reg3	[20:16]: refresh_to_x32	DRAM parameters 3
	DRAM_param_reg4	~	DRAM parameters 4
	DRAM_odt_reg	~	DRAM ODT control
	odt_delay_hold	~	ODT delay and ODT hold
	ctrl_reg1	[12]: selfref_en [8]: refresh_update_level	Controller 1
	ctrl_reg2	~	Controller 2
	ctrl_reg3	~	Controller 3
	ctrl_reg4	~	Controller 4
	mode_reg_read	~	Mode register read data
	lpddr_ctrl{0:3}	~	lpddr control registers 0 through 3
dfi_timing	~	DFI timing register	

Table 10-11: DDRI Registers Overview (Cont'd)

Function	Hardware Register Name	Dynamic Bit Fields	Description
DDR Refresh	CHE_REFRESH_TIMER01	~	Reserved
	CHE_T_ZQ	[16]: dis_auto_refresh	ZQ parameters
	CHE_T_ZQ_Short_Interval_Reg	~	Misc parameters
DDR Init	DRAM_init_param	~	DRAM initialization parameters
	DRAM_EMR_reg	~	DRAM EMR2, EMR3 access
	DRAM_EMR_MR_reg	~	DRAM EMR, MR access
	DRAM_burst8_rdwr	~	DRAM burst 8 read/write
	DRAM_disable_dq	[1]: dis_dq	DRAM disable DQ
Address Mapping	DRAM_addr_map_{bank,col,row}	~	Selects the address bits used as DRAM bank, column, or row address bits
Power Reduction	deep_pwrdown_reg	[0]: deeppowerdown_en	Deep powerdown (LPDDR2)
ECC	CHE_ECC_CONTROL	~	ECC error clear
	CHE_CORR_ECC	~	ECC error correction
	CHE_UNCORR_ECC _LOG _ADDR _DATA_31_0 _DATA_63_32 _ECC_DATA_71_64	~	ECC unrecoverable error status address data low data middle data high
	CHE_ECC_STATS	~	ECC error count
	ECC_scrub	~	ECC mode/scrub
	CHE_ECC_CORR_BIT_MASK _31_0 _63_32	~	ECC data mask low high

### 10.7.3 DDRP

Table 10-12 shows an overview of DDRP registers.

Table 10-12: DDRP Registers Overview

Function	Hardware Register Name	Dynamic Bit Fields	Description
DDR Control	ddrc_ctrl	[ ]: soft_rstb [ ]: powerdown_en	DDRC control
	Two_rank_cfg	[ ]: t_rfc_nom_x32	Two rank configuration
	PHY_Config{0:3}	~	PHY configuration register for data slices 0 through 3
	phy_cmd_timeout_rddata_cpt	~	PHY command time out and read data capture FIFO
Training	phy_{wr,rd,gate}_lvl_fsm	~	
	phy_init_ratio{0:3}	~	PHY initialization ratio register for data slices 0 through 3
	reg_64 reg_65	~	Training control 2 Training control 3
	reg_2c reg_2d	~	Training control Misc debug
	reg69_6a{0:3}	~	Training results for data slices 0 through 3
	reg6e_71{0:3}	~	Training results for data slices 0 through 3
DLL	DLL_calib	~	DLL calibration
	phy_ctrl_sts	~	PHY control status, read
	phy_ctrl_sts_reg2	~	PHY control status (2), read
	phy_dll_sts{0:3}	~	Slave DLL results for data slice
	dll_lock_sts	~	DLL lock status, read
	wr_data_slv{0:3}	~	PHY write data slave ratio configuration for data slice 0 through 3
	phy_rd_dqs_cfg{0:3} phy_wr_dqs_cfg{0:3}	~	PHY read/write DQS Configuration registers for data slice 0 through 3
	phy_we_cfg{0:3}	~	PHY FIFO write enable configuration for data slices 0 through 3
Others	phy_rcvr_enable	~	PHY Receiver Enable register
	phy_dbg_reg	~	PHY Debug register

## 10.8 Error Correction Code (ECC)

There is optional ECC support in half-bus width (16-bit) data width configuration only.

Externally 26 bits of a DRAM DDR device are required, 16-bits for data and 10 bits for ECC. Each data byte uses an independent 5-bit ECC field. This mode provides single error correction and dual error detection. The ECC bits are interlaced with the data bits and unused bits as shown in [Table 10-13](#).

Table 10-13: ECC Data Bit Assignments

DRAM DQ pin	Number of Pins	Function
DQ[7:0]	8	First Data Byte
DQ[15:8]	8	Second Data Byte
DQ[20:16]	5	ECC bits associated with first Data Byte
DQ[23:21]	3	Unused bits. Connect to DRAM for proper initialization purpose
DQ[28:24]	5	ECC bits associated with second Data Byte
DQ[31:29]	3	Unused bits. Connect to DRAM for proper initialization purpose

### 10.8.1 ECC Initialization

ECC is supported in 16-bit bus mode only. When enabled, a write operation computes and stores an ECC code along with the data, and a read operation reads and checks the data against the stored ECC code. It is therefore possible to receive ECC errors when reading uninitialized memory locations. To avoid this problem, all memory locations must be written before being read. Note that, since ECC is computed and checked over a byte resolution, a read of 1 byte is done to a 16-bit location that has only that byte initialized (second byte of 16-bit location is uninitialized) does not result in an ECC error. The controller only checks ECC on the byte that has been read. Writing to the entire DDR DRAM through the CPU can be time intensive. It may be worthwhile to use a DMA device to generate larger bursts to the DDR controller initialization and offload the CPU. Note that only the ARM CPU and ACP interfaces can access the lowest 512 KB of DDR (see [Table 4-1](#)), CPU software may still need to initialize this region of ECC-based DDR.

Note that while only two data byte lanes are used for actual data, all four lanes are used in ECC mode, and therefore DDR training must be performed on all lanes.

### 10.8.2 ECC Error Behavior

For correctable ECC errors, there is no error actively signaled via an interrupt or AXI response.

For uncorrectable ECC errors, the controller returns a SLVERR response back to the re-requesting AXI bus master. In both cases, information regarding the error (such as column, row and bank error address, error byte lane, etc.) is logged in the controller register space.

When the controller detects a correctable ECC error, it does the following:

- Sends the corrected data to the core as part of the read data.
- Sends the ECC error information to the register interface for logging.
- Performs a RMW operation to correct the data present in the DRAM (only if ECC scrubbing is enabled (`reg_ddrc_dis_scrub = 0`). This RMW operation is invisible to the core. Only one scrub RMW command can be outstanding in the controller at any time. No scrub is performed on single-bit ECC errors that occur while the controller is processing another scrub RMW.

When the controller detects an uncorrectable error, it does the following:

- Sends the uncorrectable data with an error response to the core. This results in an AXI SLVERR response on the AXI interface along with the corrupted data. An AXI SLVERR response will be returned to the transaction master to be handled – potentially generating L2/DMA interrupts, CPU prefetch/data exceptions, or being forwarded directly to a PL AXI master.
- Sends the ECC error information to the register module for logging.

### 10.8.3 Data Mask During ECC Mode

ECC is calculated over a byte of data and hence any data byte can be masked if necessary with ECC enabled. This alleviates the need for the controller to perform a RMW operation when byte masking occurs.

### 10.8.4 ECC Programming Model

The following details the ECC programming requirements. Note that these configurations are in addition to the regular DDR initialization programming. Also note that initialization of the whole DDR space before reading any data from it is recommended, to prevent ECC error generation as a result of accessing uninitialized areas of memory. Refer to section [10.8.1 ECC Initialization](#) section for further details.

#### Enabling ECC operation (Switching from Non-ECC Mode to ECC Mode)

1. Program `reg_ddrc_soft_rstb` to 0 (resets the controller)
2. Program the ECC mode by programming `reg_ddrc_ecc_mode` to 3'b100
3. Program `reg_ddrc_dis_scrub` to 1'b0
4. Program `reg_ddrc_data_bus_width` to 2'b0
5. Program `reg_ddrc_soft_rstb` to 1 (takes the controller out of reset)

Note that re-initialization of the whole DDR space before reading any data from it is recommended to prevent ECC error generation as a result of accessing uninitialized areas of memory.

#### Disabling the ECC Operation (Switching from ECC Mode to Non-ECC Mode)

1. Program the `reg_ddrc_soft_rstb` to 0 (resets the controller)
2. Program the ECC mode by programming the `reg_ddrc_ecc_mode` to 3'b000
3. Program the `reg_ddrc_dis_scrub` to 1'b1
4. Program the `reg_ddrc_data_bus_width` to 2'b00

5. Program the `reg_ddrc_soft_rstb` to 1 (takes the controller out of reset)

### Monitoring ECC Status

1. `CHE_CORR_ECC_ADDR_REG_OFFSET` gives the bank/row/column information of the ECC error correction
2. `CHE_UNCORR_ECC_ADDR_REG_OFFSET` gives the bank/row/column information of the ECC unrecoverable error
3. B[0] of `CHE_CORR_ECC_LOG_REG_OFFSET` indicates correctable ECC status
4. B[0] of `CHE_UNCORR_ECC_LOG_REG_OFFSET` indicates uncorrectable ECC status
5. `CHE_ECC_STATS_REG_OFFSET`
  - B[7:0] -> gives the number of uncorrectable errors
  - B[15:8] -> gives the number of correctable errors

---

## 10.9 Programming Model

### 10.9.1 Operating Modes

The operating mode register bits, `mode_sts_reg.ddrc_reg_operating_mode`, can be polled to determine the current mode of operation of the controller. The different modes are:

- 000 – uninitialized. The controller might be in soft reset, or it might be out of soft reset, but DRAM initialization sequence has not yet completed.
- 001 – normal operating mode. The controller is ready to accept read and write requests and the controller can issue reads and writes to DRAM.
- 010 – DRAM is in power down mode.
- 011 – DRAM is in self refresh mode.
- 100 : 111 – For LPDDR2 designs only, indicates DRAM is in deep power down.

### 10.9.2 Changing Clock Frequencies

The process of changing clock frequencies is as follows:

1. Request the controller to place the DRAM into self refresh mode, by asserting `ctrl_reg1.reg_ddrc_selfref_en`.
2. Wait until `mode_sts_reg.ddrc_reg_operating_mode[1:0] == 11` indicating that the controller is in self refresh mode. In the case of LPDDR2 check that `ddrc_reg_operating_mode[2:0] == 011`.
3. Change the clock frequency to the controller (see [10.6.1 DDR Clock Initialization](#)).
4. Update any registers which might be required to change for the new frequency. This includes static and dynamic registers. If the updated registers involve any of `reg_ddrc_mr`, `reg_ddrc_emr`, `reg_ddrc_emr2` or `reg_ddrc_emr3`, then go to step 5. Otherwise go to step 6.



5. Assert `reg_ddrc_soft_rstb` to reset the controller. When the controller is taken out of reset, it re-initializes the DRAM. During initialization, the mode register values updated in step 4 are written to DRAM. Anytime after de-asserting reset, go to step 6.
6. Take the controller out of self refresh by de-asserting `reg_ddrc_selfref_en`.

**Note:** This sequence can be followed in general for changing DDRC settings, in addition to just clock frequencies.

**Note:** DRAM content preservation is not guaranteed when the controller is reset.

### 10.9.3 Power Down

Enable power down mode in the Master Control register, `ddrc_ctrl`. Once enabled, the DDRC automatically puts the DRAM into pre-charge all power down after the programmed number of idle cycles (`DDRC_param_reg1.reg_ddrc_powerdown_to_x32`).

A refresh request brings the DRAM out of power down. It goes back into power down after the idle period.

Any transaction brings the DRAM out of power down automatically.

Clearing the power down enable bit also brings the DRAM out of power down.

### 10.9.4 Deep Power Down

**Note:** Deep power down only applies to LPDDR2 mode.

Set `deep_pwrdsn_reg.deeppowerdown_en=1`. The DDRC puts the DRAM into deep power down as soon as the transaction buffers are empty. If transactions keep arriving the DDRC never puts the DRAM into deep power down.

`deep_pwrdsn_reg.deeppowerdown_en` must be reset to 0 to take DRAM out of deep power down mode. During deep power down exit, the controller performs automatic DRAM initialization.

In LPDDR2, once `deep_pwrdsn_reg.deeppowerdown_en` is reset to 0, there is a wait period (determined by register `reg_ddrc_deeppowerdown_to_x1024`) before the DRAM comes out of deep power down. The value from the spec for this register is 500 us.

Note that any command that comes in while the DRAM is in deep power down mode is stored in the CAM and is processed after deep power down exit and DRAM re-initialization.

### 10.9.5 Self Refresh

Set the Self Refresh Request bit in the Master Control register, `ddrc_ctrl`. The DDRC puts the DRAM into self refresh as soon as the transaction buffers are empty.

Software must ensure that no transactions arrive. If transactions keep arriving the DDRC never puts the DRAM into self refresh.

The first valid transaction brings the DRAM out of self refresh.

## 10.9.6 DDR Power Reduction

### Clock Stop

When this feature is enabled, the DDR PHY is allowed to stop the clocks going to the DRAM. For DDR2 and DDR3/DDR3L this feature is effective in self refresh mode only. For LPDDR2 this feature becomes effective in:

- Idle periods
- Power down mode
- Self refresh mode
- Deep power down mode

### Precharge Power Down

When enabled, the DDR memory controller dynamically uses precharge power down mode to reduce power consumption during idle periods. Normal operation continues when a new request is received by the DDRC.

### Self Refresh

When enabled the DDRC dynamically puts the DRAM into self-refresh mode during idle periods. Normal operation continues when a new request is received by the DDRC. In this mode DRAM contents are maintained even when the DDRC core logic is fully powered down, thus allowing to stop the DDR2X and DDR3X/DDR3LX clocks. Also the DCI clock, which controls the DDR termination, can be shut down.

### Self Refresh Sequence

To put the DDR memory into self-refresh mode the following sequence can be used. When executing these steps, the executing CPU should be the only still active master, to guarantee that no new requests are issued to the DDR memory. This mode is typically used in sleep mode.

```
ddrc.ctrl_reg1[reg_ddrc_selfref_en] = 1
ddrc.DRAM_param_reg3 [reg_ddrc_en_dfi_dram_clk_disable] = 1
while (slcr.DDR_CMD_STA[CMD_Q_EMPTY] != 0)
while (ddrc.mode_sts_reg[ddrc_reg_operating_mode] != 3)
slcr.DDR_CLK_CTRL[DDR_2XCLKACT] = 0
slcr.DDR_CLK_CTRL[DDR_3XCLKACT] = 0
slcr.DCI_CLK_CTRL[CLKACT] = 0
```

To resume normal DDR operation the clocks must be re-enabled first. Then DRAM is accessible again and the *clock stop* and *self-refresh* features can be disabled.



---

**IMPORTANT:** *Precharge power down and self refresh modes are mutually exclusive and must not be activated at the same time.*

---

# Static Memory Controller

## 11.1 Introduction

The static memory controller (SMC) can be used either as a NAND flash controller or a parallel port memory controller supporting the following memory types:

- NAND flash
- Asynchronous SRAM
- NOR flash

System bus masters can access the SMC controller as shown in [Figure 11-1](#). The operational registers of the SMC are configured through an APB interface. The memory mapping for the SMC is described in [Chapter 4, System Addresses](#). The SMC handles all commands, addresses, data, and the memory device protocols. It allows the users to access the controller by reading or writing into the operational registers. The SMC is based on ARM's PL353 static memory controller.

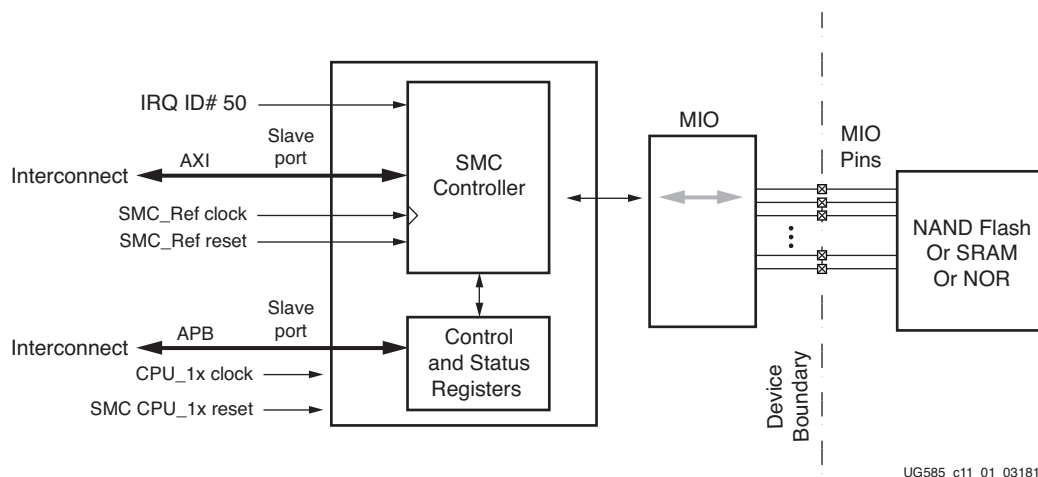


Figure 11-1: SMC System Level Diagram

### 11.1.1 Features

Features of the SMC are listed for each type of memory. The controller is configured to operate in one of two interface modes.

#### NAND Flash Interface

- *ONFI Specification 1.0*
- Up to a 1 GB device
- 8/16-bit IO width with a single chip select
- 16-word read and 16-word write data FIFOs
- 8-word command FIFO
- Programmable IO cycle timing
- 1-bit ECC hardware with software assist
- Asynchronous memory operating mode

#### Parallel (SRAM/NOR) Interface

- 8-bit data bus width
- One chip select with up to 26 address signals (64 MB)
- Two chip selects with up to 25 address (32 + 32 MB)
- 16-word read and 16-word write data FIFOs
- 8-word command FIFO
- Programmable I/O cycle timing on a per chip select basis
- Asynchronous memory operating mode

## 11.1.2 Block Diagram

The block diagram for the SMC is shown in [Figure 11-2](#).

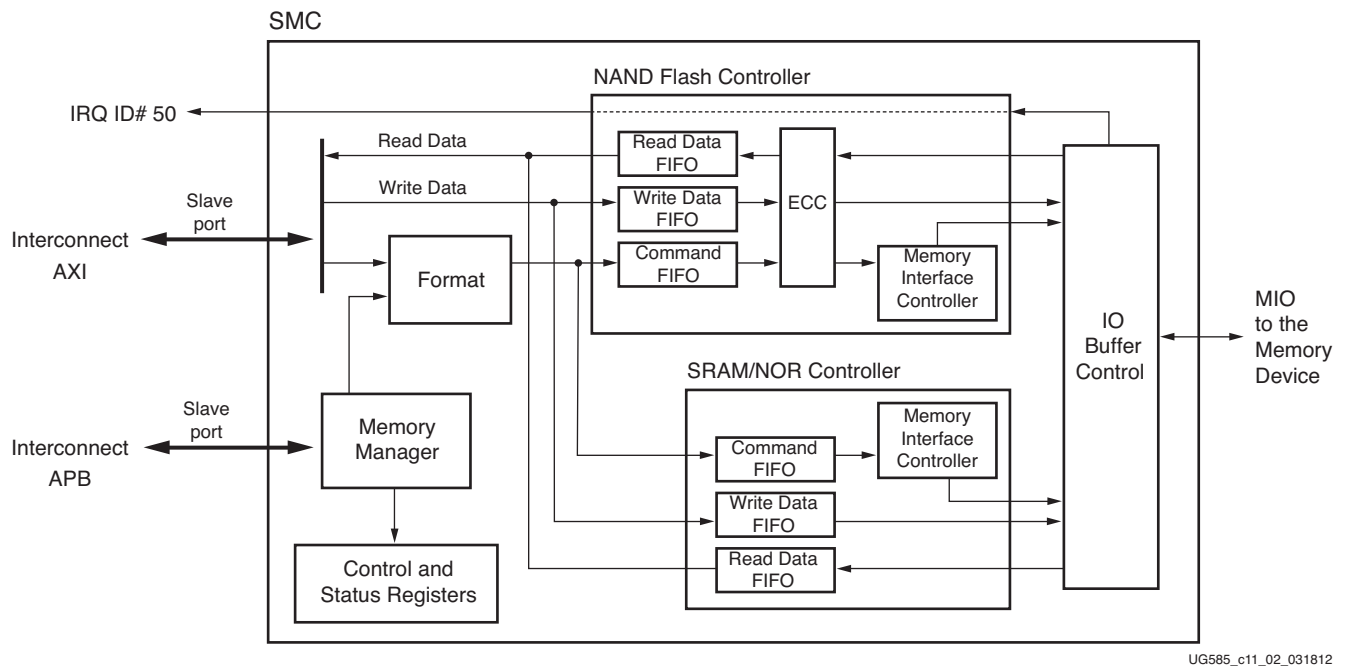


Figure 11-2: SMC Block Diagram

### Interconnect Interfaces

For the NOR/SRAM controller mode, the AXI interface is memory mapped so software can read and write to/from memory. For the NAND flash controller mode, software writes commands to the NAND controller via the AXI interface. Details can be found in the ARM specification.

The APB bus interface provides a memory mapped area for the software to read and write the control and status registers.

### Memory Manager

The memory manager tracks and controls the current state of the CPU<sub>1x</sub> clock domain state machine. This block is responsible for updating register values that are used in the memory clock domain and controlling direct commands issued to memory and controlling entry-to and exit-from low-power mode through the APB interface.

### Format

The format block arbitrates between memory accesses from the AXI slave interface and the memory manager. Requests from the manager have the highest priority. Requests from AR and AW channels are arbitrated on a round-robin basis. The format block also maps AXI transfers onto appropriate memory transfers and passes these to the memory interface through the command FIFO.

### 11.1.3 Notices

#### 7z010 CLG225 Device

The 7z010 CLG225 device does not support the NOR/SRAM interface.

The NAND interface is supported in the 8-bit interface, but not the 16-bit interface.

## 11.2 Functional Operation

The functional operation of the SMC is described in the *ARM Static Memory Controller (PL350 series) Technical Reference Manual*. Additional information is provided in the following sections.

### 11.2.1 Boot Device

The NOR and NAND Flash controllers can be configured as a boot device. Its memory interface can only be routed through the MIO.

### 11.2.2 Clocks

The SMC has two clock domains that are driven by the CPU\_1x and SMC\_Ref clocks, see [Table 11-1](#). These clocks are controlled by the clock generator, refer to [Chapter 25, Clocks](#). The two clock domains are asynchronous to each other. The main benefit of asynchronous clocking is to maximize the memory performance while running the interconnect interface at a fixed system frequency.



**TIP:** For power management, the clock enable in the slcr register can be used to turn off the clock. The operating frequency for the reference clock is defined in the data sheet. (Clock gating is used to stop the clock to save power.)

Table 11-1: SMC Clocks and Resets

Clock	Resets	Clock Domain	Description
CPU_1x	CPU_1x	Interconnect domain	This clock runs at 1/6 <sup>th</sup> or 1/4 <sup>th</sup> the CPU clock rate depending on the CPU clock mode. To stop this clock, first put the SMC in low-power mode.
SMC_Ref	SMC_Ref	SMC domain	This clock is used to control the I/O memory interfaces.

### 11.2.3 Resets

The controller has two reset inputs that are controlled by the reset subsystem; refer to [Chapter 26, Reset System](#). This SMC CPU\_1x reset is used for the AXI and APB interfaces. The SMC\_Ref reset is for the FIFOs and the rest of the controller including the control and status registers.

## 11.2.4 Interrupts

A single interrupt is generated by the controller, IRQ ID # 50. The interrupt is triggered on the rising edge of the busy input for the NAND memory interface and on the rising edge of the EMIOSRAMINTIN for the SRAM memory interface. The NOR interface does not generate an interrupt. The cause of the SMC reset is determined by reading the relevant status registers.

## 11.2.5 PL353 Functionality

The SMC is based on ARM's PL353 Primecell core and is hard-coded such that controller 0 can operate in SRAM/NOR mode and controller 1 can operate in NAND flash mode. The SRAM/NOR or NAND interface can be used in a system, but not both. The SRAM/NOR interface does not support PSRAM. The NAND flash controller does not support wear leveling.

When referencing ARM documentation, for programming and other purposes, refer to the implementation notes in [Table 11-2](#).

Table 11-2: SMC PL353 Implementation Notes

Parameter	Value	Design Notes
Chip Selects (Interface 0)	2	SRAM/NOR interface chip selects operate independently.
Chip Select (Interface 1)	1	NAND flash interface chip select
NAND flash mode data width	16	Data width can be 8 or 16 bits
SRAM mode data width	8	Data width is 8 bits.
System interface bus width	32	AXI
System interface clock rate	~	CPU_1x (1/6 <sup>th</sup> or 1/4 <sup>th</sup> the CPU clock frequency)
Command FIFO depth	8	Maximum supported depth on both interfaces
Read data word FIFO depth	16	Maximum supported depth on both interfaces
Write data word FIFO depth	16	Maximum supported depth on both interfaces
ECC support	Yes	1-bit ECC hardware with assistance from software
ECC Extra Block	Yes	Supported

## 11.2.6 Address Map

The registers and memory base address are listed in [Table 11-3](#).

Table 11-3: SMC Address Map Summary

Base Address	Mnemonic	Description	Type
0xE000_E000	SMC	Configuration registers base address	Registers
0xE100_0000	SMC_NAND	SMC NAND memory base address	Memory
0xE200_0000	SMC_SRAM0	SMC SRAM Chip Select 0 base address	Memory
0xE400_0000	SMC_SRAM1	SMC SRAM Chip Select 1 base address	Memory

## 11.3 I/O Signals

The MIO pin assignments for SRAM/NOR and NAND flash connections are shown in Table 11-4. The SMC interface signals are routed only to the MIO pins, they are not available on the EMIO interface. The MIO pins and restrictions (no NOR/SRAM and only 8-bit NAND) are shown in the MIO table in section 2.5.4 MIO-at-a-Glance Table.

Table 11-4: SMC MIO Pins

MIO Pin	SRAM/NOR Interface Mode				MIO Pin	NAND Flash Interface Mode			
	Signal Name	I/O	Default Value	Description		Signal Name	I/O	Default Value	Description
<b>MIO Voltage Bank 0</b>									
0	SRAM_CE_B[0]	O	-	SRAM/NOR chip sel 0	0	NAND_CE_B	O	-	NAND chip select
1	SRAM_CE_B[1] or SRAM_A [25]	O	-	SRAM/NOR chip sel 1 or Address bit 25	1	-	-	-	-
2	-	-	-	-	2	NAND_ALE	O	-	NAND address latch
3	SRAM_DQ[0]	IO	0	SRAM/NOR data	3	NAND_WE_B	O	-	NAND write enable
4	SRAM_DQ[1]	IO	0	SRAM/NOR data	4	NAND_IO[2]	IO	0	NAND data/address/cmd
5	SRAM_DQ[2]	IO	0	SRAM/NOR data	5	NAND_IO[0]	IO	0	NAND data/address/cmd
6	SRAM_DQ[3]	IO	0	SRAM/NOR data	6	NAND_IO[1]	IO	0	NAND data/address/cmd
7	SRAM_OE_B	O	-	SRAM/NOR output en	7	NAND_CLE	O	-	NAND chip select
8	SRAM_BLS_B	O	-	SRAM/NOR write en	8	NAND_RE_B	O	-	NAND read enable
9	SRAM_DQ[6]	IO	0	SRAM/NOR data	9	NAND_IO[4]	IO	0	NAND data/address/cmd
10	SRAM_DQ[7]	IO	0	SRAM/NOR data	10	NAND_IO[5]	IO	0	NAND data/address/cmd
11	SRAM_DQ[4]	IO	0	SRAM/NOR data	11	NAND_IO[6]	IO	0	NAND data/address/cmd
12	-	-	-	-	12	NAND_IO[7]	IO	0	NAND data/address/cmd
13	SRAM_DQ[5]	IO	0	SRAM/NOR data	13	NAND_IO[3]	IO	0	NAND data/address/cmd
14	-	-	-	-	14	NAND_BUSY	I	0	NAND busy
15	SRAM_A[0]	O	-	SRAM/NOR address	15	-	-	-	-
<b>MIO Voltage Bank 1</b>									
23:16	SRAM_A [8:1]	O	-	SRAM/NOR address	23:16	NAND_IO [15:8]	IO	0	NAND data/address/cmd
39:24	SRAM_A [24:9]	O	-	SRAM/NOR address	39:24	-	-	-	-



**Optional Pins**

- For either SRAM or NOR, the upper address bits are optional. When not used, they can be assigned to other functions.

## 11.4 Wiring Diagrams

The SMC supports the configurations shown in Figure 11-3, Figure 11-4, and Figure 11-5. The NOR/SRAM mode of the SMC can support two devices (NOR and/or SRAM) using chip selects 0 and 1.

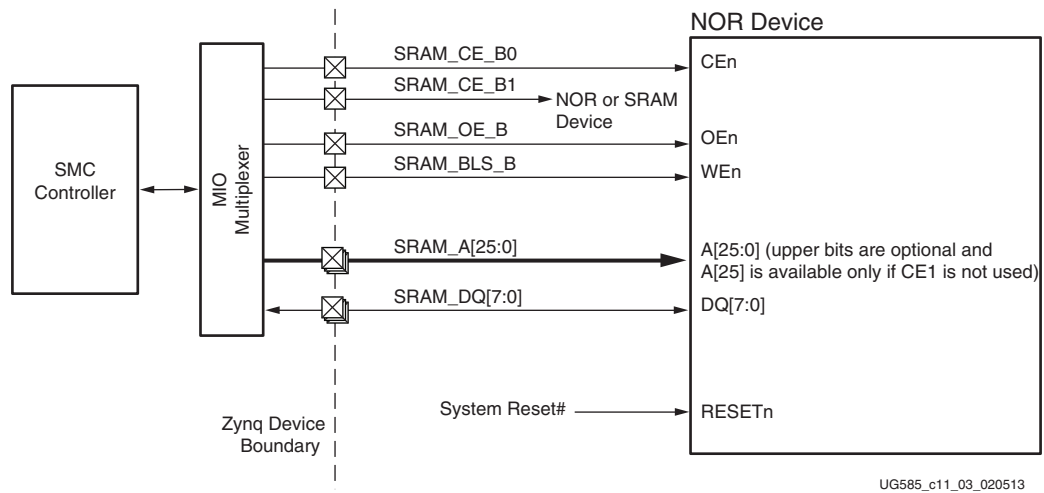


Figure 11-3: NOR Device Wiring Diagram

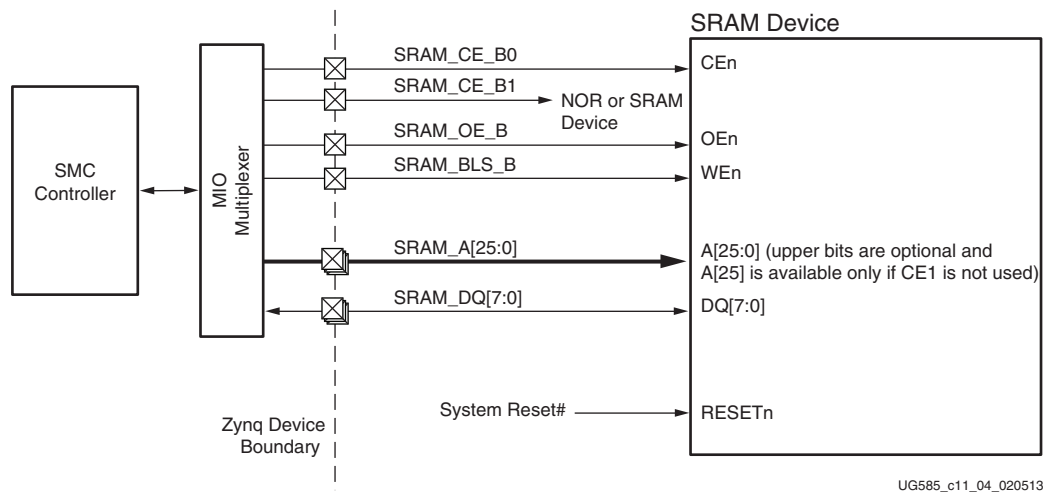


Figure 11-4: SRAM Device Wiring Diagram

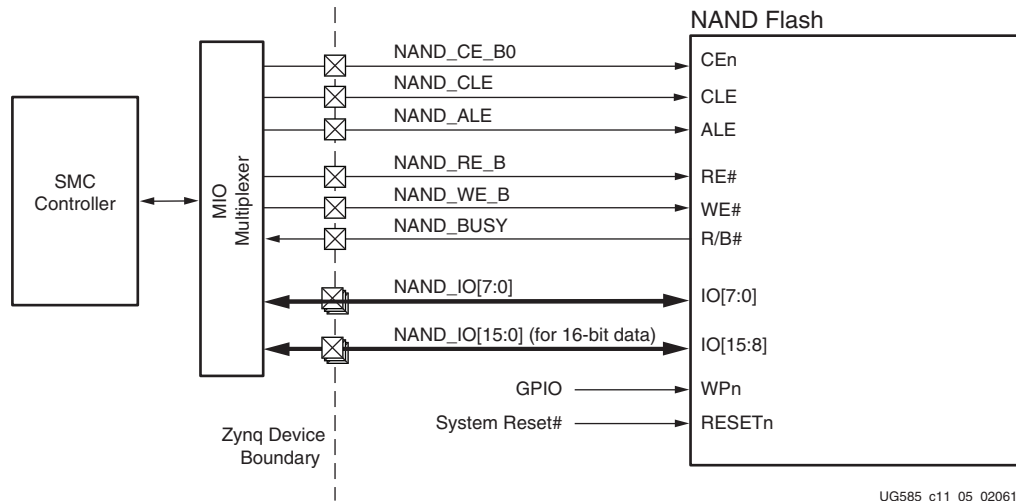


Figure 11-5: NAND Flash Device Wiring Diagram

## 11.5 Register Overview

The SMC registers are summarized in [Table 11-5](#).

Table 11-5: SMC Register Overview

Controller	Register Name	Description
Both	MEMC STATUS	Operating and interrupt status, read-only
	MEMIF_CFG	SMC configuration information, read-only
	MEMC_CFG_{SET, CLR}	Enable/disable/clear interrupts and control low power state
	DIRECT_CMD	Issue a set command, write-only
	SET_{CYCLES, OPMODE}	Stage a cycles or opmode operation to the SRAM/NOR and NAND flash registers
	USER_{STATUS, CONFIG}	
SRAM/NOR CS 0, 1	REFRESH_PERIOD_{0,1}	Insert idle cycles between SRAM/NOR burst cycles
	SRAM_CYCLES0_{0,1}	Timing cycles
	OPMODE0_{0,1}	Operating mode
NAND Flash	NAND_CYCLES1_0	Timing cycles
	OPMODE1_0	Operating mode
	ECC_{STATUS, MEMCFG}_1	ECC status and configuration
	ECC_MEMCOMMAND{2:1}_1	Commands used for ECC reads and writes
	ECC_ADDR{1:0}_1	Address generated by controller
	ECC_VALUE{3:0}_1	Value generated by controller

---

## 11.6 Programming Model

The programming model is described in the *ARM Static Memory Controller (PL350 series) Technical Reference Manual* (see [Appendix A, Additional Resources](#)). The configuration of the SMC is summarized in [Table 11-2](#).

---

## 11.7 NOR Flash Bandwidth

The bandwidth measurement details of NOR Flash are:

Environment:	Standalone
NOR flash device used:	PC28F256M29EW
SMC (NOR flash controller) clock:	100 MHz
Data transfer size	1 MB
Bandwidth achieved:	
Read bandwidth	9.02 MB/S
Write bandwidth	7.36 KB/S

# Quad-SPI Flash Controller

---

## 12.1 Introduction

The Quad-SPI flash controller is part of the input/output peripherals (IOP) located within the PS. It is used to access multi-bit serial flash memory devices for high throughput and low pin count applications.

The controller operates in one of three modes: I/O mode, linear addressing mode, and legacy SPI mode. In I/O mode, software interacts closely with the flash device protocol. The software writes the flash commands and data to the controller using the four TXD registers. Software reads the RXD register that contains the data received from the flash device.

Linear addressing mode uses a subset of device operations to eliminate the software overhead that the I/O mode requires to read the flash memory. Linear Mode engages hardware to issue commands to the flash memory and control the flow of data from the flash memory bus to the AXI interface. The controller responds to memory requests on the AXI interface as if the flash memory were a ROM memory. In legacy mode, QSPI controller acts as a normal SPI controller.

The controller can interface to one or two flash devices. Two devices can be connected in parallel for 8-bit performance, or in a stacked, 4-bit arrangement to minimize pin count. The two device combinations are shown in [Figure 12-1](#).

### 12.1.1 Features

- 32-bit AXI interface for Linear Addressing mode transfers
- 32-bit APB interface for I/O mode transfers
- Programmable bus protocol for flash memories from Micron and Spansion
- Legacy SPI and scalable performance: 1x, 2x, 4x, 8x I/O widths
- Flexible I/O
  - Single SS 4-bit I/O flash interface mode
  - Dual SS 8-bit parallel I/O flash interface mode
  - Dual SS 4-bit stacked I/O flash interface mode
  - Single SS, legacy SPI interface
- 16 MB addressing per device (32 MB for two devices)
- Device densities up to 128 Mb

- I/O mode (flash commands and data)
  - Software issues instructions and manages flash operations
  - Interrupts for FIFO control
  - 63-word RxFIFO, 63-word TxFIFO
- Linear addressing mode (executable read accesses)
  - Memory reads and writes are interpreted by the controller
  - AXI port buffers up to four read requests
  - AXI incrementing and wrapping address functions

### 12.1.2 System Viewpoint

The Quad-SPI flash controller is part of the IOP and connects to external SPI flash memory through the MIO as shown in Figure 12-1. The controller supports one or two memories.

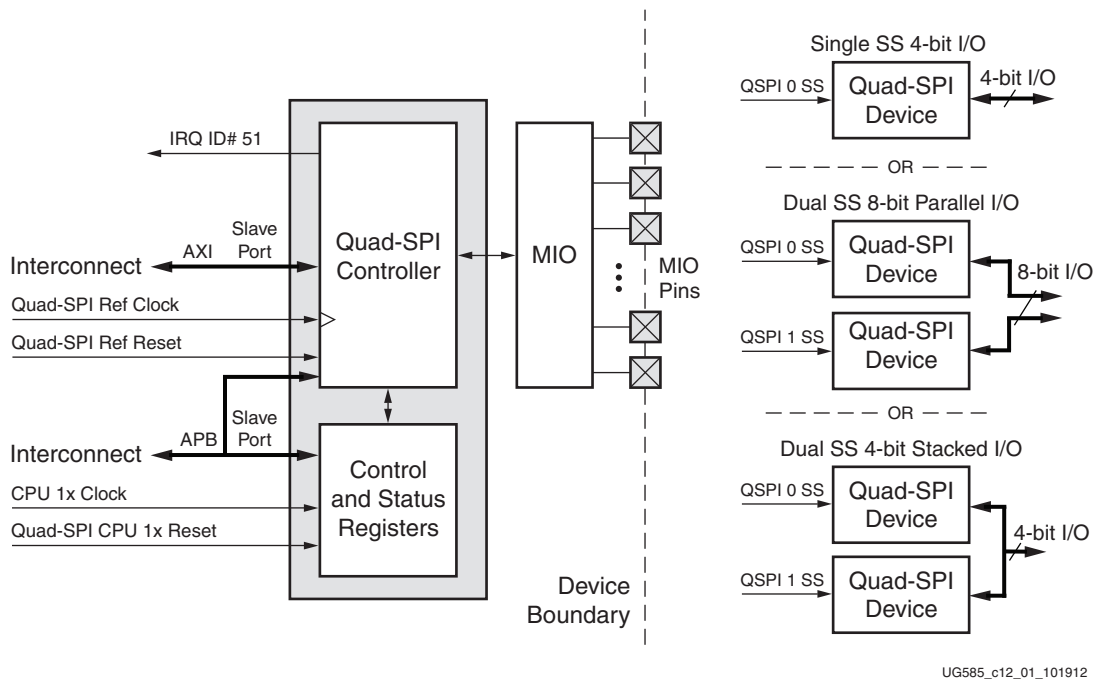


Figure 12-1: Quad-SPI Controller System Viewpoint

#### Address Map and Device Matching for Linear Address Mode

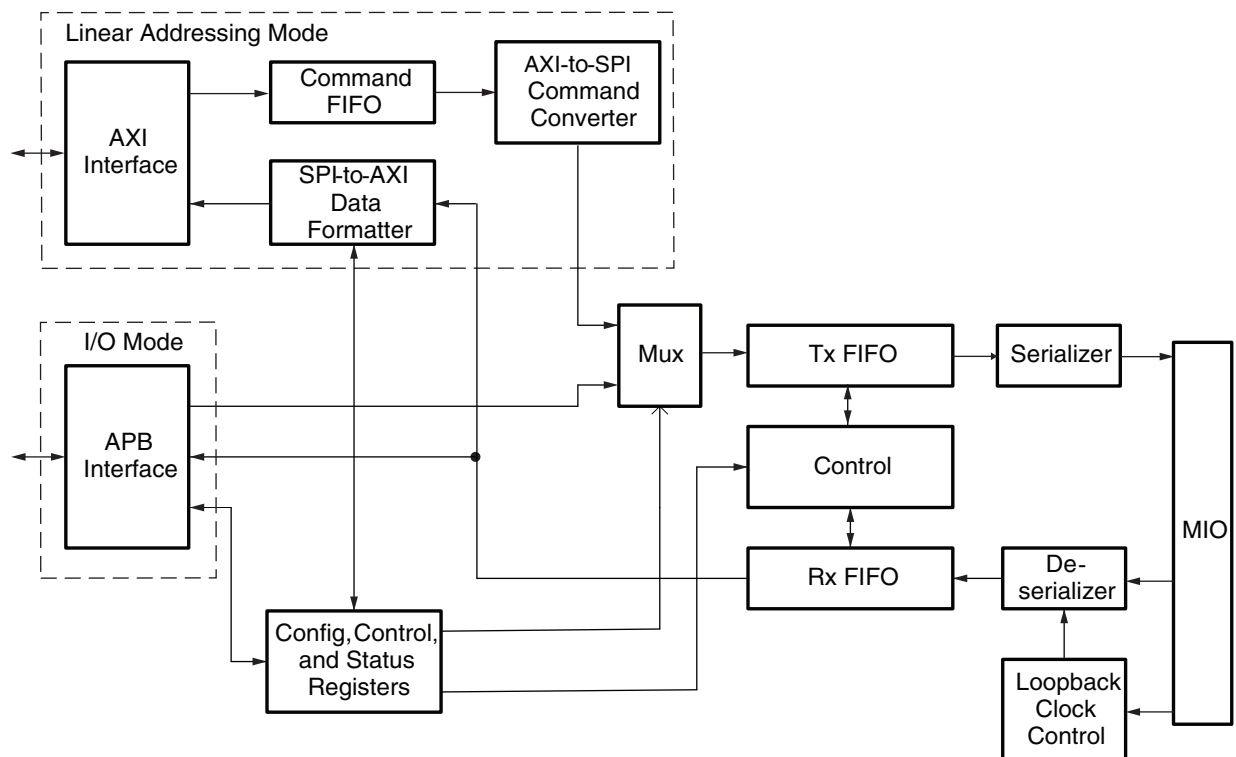
When a single device is used, the address map for direct memory reads starts at `FC00_0000` and goes to a maximum of `FCFF_FFFF` (16 MB). The address map for a two-device system depends on the memory devices and the I/O configuration. In two-device systems, the Quad-SPI devices need to be from the same vendor so they have the same protocol.

The 8-bit parallel I/O configuration also requires that the devices have the same capacity. The address map for the parallel I/O configuration starts at `FC00_0000` and goes to the address of the combined memory capacities, up to a maximum of `FDFE_FFFF` (32 MB).

For the 4-bit Stacked I/O configuration, the devices can have difference capacities, but must have the same protocol. If using two different size devices, Xilinx recommends using a 128 Mb device at the lower address. In this mode, the QSPI 0 device starts at `FC00_0000` and goes to a maximum of `FCFF_FFFF` (16 MB). The QSPI 1 device starts at `FD00_0000` and goes to a maximum of `FDFE_FFFF` (another 16 MB). If the first device is less than 16 MB in size, then there will be a memory space hole between the two devices.

### 12.1.3 Block Diagram

The block diagram of the is shown in [Figure 12-2](#).



UG585\_c12\_02\_101912

Figure 12-2: Quad-SPI Controller Block Diagram

### 12.1.4 Notices

#### Operating Restrictions

When a single device is used, it must be connected to QSPI 0. When two devices are used, both devices must be identical (same vendor and same protocol sequencing).

The MIO pins for the Quad-SPI controller conflict with both the NOR and NAND interfaces of the SMC controller. The NOR/DRAM and NAND interfaces cannot be used when Quad-SPI is used. More information about the MIO pins is provided in section 2.5 [PS-PL MIO-EMIO Signals and Interfaces](#).

## 12.2 Functional Description

The Quad-SPI flash controller can operate in either I/O mode or linear addressing mode. For reads, the controller supports single, dual and quad read modes in both I/O and linear addressing modes. For writes, single and quad modes are supported in I/O mode. Writes are not supported in linear addressing mode.

### 12.2.1 Operational Modes

Quad-SPI operating mode transitions are shown in [Figure 12-3](#).

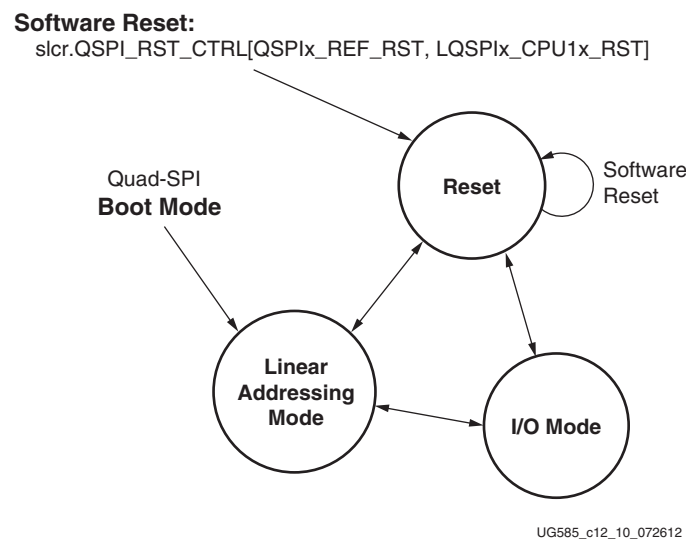


Figure 12-3: Quad-SPI Operating Mode Transitions

In I/O mode, software can choose varying degrees of control over different aspects of read data management by setting appropriate register bits. In linear mode, the controller carries out all necessary read data management and the memory reads like a ROM to software.

### 12.2.2 I/O Mode

In I/O mode, the software is responsible for preparing and formatting commands and data into instructions according to the Quad-SPI protocol. The formatted instruction sequence, consisting of CMD and data, is then pushed into a transmit FIFO by repeated writing into a TXD register. The transmit logic serializes the content of the TxFIFO in accordance with the Quad-SPI interface specification and send the data out to the flash memory. While the transmit logic is sending out the content of the TxFIFO, it concurrently samples the raw serial data, performs serial-to-parallel conversion, and stores data into RxFIFO.

In the case of a read command, when data is to be driven by the flash memory after the command and address bytes, the MIO switches from output to input at the appropriate time under the control

of the transmit logic. Data shifted into the RxFIFO reflects the switch resulting in valid data in the RxFIFO at the corresponding FIFO entry

Software needs to filter the raw data from the RxFIFO to obtain the relevant data content. The controller does not modify either the instruction written by software or the captured data put into the RxFIFO.

The controller supports little endian mode and the most significant bit of the least significant byte of a 4-byte word of an instruction is sent first.

## Flow Control

I/O mode has different modes of flow control during data transfer. The user can select between automatic and manual mode, controlled by `config_reg.MANSTARTEN` (`Man_start_com`). In Manual mode, the user can further select manual or automatic chip select with `Config_reg.SSFORCE` (`Manual_CS`). Asserting chip select signals the beginning of a command sequence on MIO. Immediately following the CS assertion, serial data on D0 is interpreted as command by the flash memory.

In automatic mode, the entire transmission sequence, including control of chip select is done in hardware. No software intervention is required. The transmission starts as soon as data is pushed into the TxFIFO via writing to TXD, chip select automatically becomes active. Data transmission ends when the TxFIFO is empty and chip select automatically becomes inactive. In this mode, to carry out continuous data transfer, software must be able to keep up with supplying data to the TxFIFO at a rate equal or higher than the rate of data movement on the MIO. This can be difficult since reading from RXD and writing to TXD occurs at the APB clock rate.

In Manual mode, the user controls the start of data transmission. In this case, software either writes the entire transmission sequence to the TxFIFO or until the TxFIFO is full. Upon writing of the `Man_start_en` bit, the controller takes over, asserts CS, shifts data out of the TxFIFO and into the RxFIFO, controls the input/output state of the MIO as appropriate, and terminates the sequence when the TxFIFO is empty by de-asserting CS. The maximum number of bytes per command sequence in this mode is limited by the depth of the TxFIFO of 252 bytes.

In manual mode, the user can further choose to control the chip select in addition to controlling the start of transmission. Software again writes the transmission sequence to the TxFIFO starting with the command until the TxFIFO is full. Software then asserts CS, followed by manual start. The hardware takes over. However, CS is not de-asserted when the TxFIFO becomes empty. Software can fill the TxFIFO again with the appropriate data to continue the previous command. This method removes the limit on the number of bytes per command sequence and can be used effectively for large data transfers. On completion of the command sequence, the software de-asserts CS by writing to the `Manual_CS` bit.

### 12.2.3 I/O Mode Transmit Registers (TXD)

Software writes byte sequences that are needed for the specific flash device. Refer to the Quad-SPI device vendor's specification. The controller has four write-only 32-bit TXD registers for software to issue a stream of commands to get status and read/write data from the flash memory. Quad-SPI TXD register write formats are described in [Table 12-1](#). Each access to the TXD0, TXD1, TXD2, or TXD3 register results into a corresponding write to the TxFIFO.



The user must empty the TxFIFO between consecutive accesses from:

- TXD0 to TXD1/TXD2/TXD3
- TXD1 to TXD0/TXD1/TXD2/TXD3
- TXD2 to TXD0/TXD1/TXD2/TXD3
- TXD3 to TXD0/TXD1/TXD2/TXD3

You need not empty the FIFO for TxD0 to TXD0 accesses.

Table 12-1: Quad-SPI TXD Register Write Formats

Register	Write Data Format				Example Usage
	31:24	23:16	15:8	7:0	
TXD 1	Reserved	Reserved	Reserved	Data or command	Set write enable
TXD 2	Reserved	Reserved	Data 0	Data or command	Write status with data
TXD 3	Reserved	Data 1	Data 0	Data or command	Read status with two dummy bytes
TXD 0	Data 3	Data 2	Data 1	Data or command	Write data to transmit or dummy data for reads

### FIFO Reads and Writes

The TxFIFO and RxFIFO share the same gated clock. Therefore for every byte, including command and address bytes shifted out of the TxFIFO, a corresponding byte is shifted into the RxFIFO

To read data from Quad-SPI flash memory, the software writes the appropriate command, address, mode (when in Quad or Dual I/O mode) and dummy cycles as required by the Quad-SPI flash memory into the TxFIFO. In addition, software must pad the TxFIFO with additional dummy data. This additional dummy data provides the CLK needed to shift data into the RxFIFO. See section [12.3.5 Rx/Tx FIFO Response to I/O Command Sequences](#) for additional programming details.

## 12.2.4 I/O Mode Considerations

The RxFIFO interrupt status bit indicates when data is available before data is actually available for read. The latency is associated with clock domain crossing and is almost always made-up by the time that software takes to service the interrupt.

During a read command, software must write to the TxFIFO with dummy data to receive data from the device. In automatic mode, if TxFIFO goes empty, the Quad-SPI controller deasserts chip select. To further receive data, software must send the read command and address to the device.

## 12.2.5 Linear Addressing Mode

The controller has a 32-bit AXI slave interface to support linear address mapping for read operations. When a master issues an AXI read command through this port, the Quad-SPI controller generates QSPI commands to load the corresponding memory data and send it back through the AXI interface.

In linear mode, the flash memory subsystem behaves like a typical read-only memory with an AXI interface that supports a command pipeline depth of four. The linear mode improves both the user friendliness and the overall read memory throughput over that of the I/O mode by reducing the amount of software overhead. From a software perspective, there is no perceived difference between accessing the linear Quad-SPI memory subsystem and that of other ROMs, except for a potentially longer latency.

Transfer to LQSPI mode happens when the `qspi.LQSPI_CFG.[LQ_MODE]` bit is set to 1. Before entering into linear addressing mode, the user must ensure that both the TXFIFO and RXFIFO are empty. Once the `qspi.LQSPI_CFG.[LQ_MODE]` bit is set, the FIFOs are automatically controlled by the LQSPI module and IO access to TXD and RXD are undefined.

In linear mode the CS pins are automatically controlled by the QSPI controller. Before a transition into LQSPI mode, the user must ensure that `qspi.Config_reg[Man_start_en]` and `qspi.Config_reg[PCS]` are both zero.

A simplified block diagram of the controller showing the linear and I/O portions is shown in [Figure 12-2](#).

## AXI Interface Operation

Only AXI read commands are supported by the linear addressing mode. All valid write addresses and write data are acknowledged immediately but are ignored, that is, no corresponding programming (write) of the flash memory is carried out. All AXI writes generate an SLVERR error on the write response channel.

Both incrementing- or wrapping-address burst reads are supported. Fixed-address bursts are not supported and cause an SLVERR error. Therefore, the only recognized `arburst[1:0]` value is either `2'b01` or `2'b10`. All read accesses must be word-aligned and the data width must be 32-bits (no narrow burst transfers are allowed).

[Table 12-2](#) lists the read address channel signals from a master that are ignored by the interface.

**Table 12-2: Ignored AXI Read Address Channel Signals**

Signal	Value
<code>araddr[1:0]</code>	Ignored, assumed to be 0, i.e., always assumed to be word aligned
<code>arsize[2:0]</code>	Ignored, always a 32-bit interface
<code>arlock[1:0]</code>	Ignored
<code>arcache[3:0]</code>	Ignored
<code>arprot[2:0]</code>	Ignored

The AXI slave interface provides a read acceptance capability of 4 so that it can accept up to four outstanding AXI read commands.

## AXI Read Command Processing

AXI read burst commands are translated into SPI flash read instructions that are sent to the Quad-SPI controller TxFIFO. The controller transmit logic is responsible for retrieving the read instructions from the FIFO and passing them along to the SPI flash memory according to the SPI protocol.

A 64-deep FIFO is used to provide read data buffering to hold up to four burst-of-16 data. Since the Rx FIFO starts receiving data as soon as the chip-select signal is active, the linear address module removes incoming data that corresponds to the instruction code, if any, the address, the dummy cycles, and responses to the AXI read instruction with valid data.

## Interface Configuration and Read Modes

AXI read burst transfers are translated into SPI flash read instructions that are sent to the controller's TxFIFO. The transmit logic retrieves the read instructions from the TxFIFO and passes them to the SPI flash memory device according to the SPI protocol.

Software defines the SPI read command that is used in linear addressing mode by writing to `qspi.LQSPI_CFG[INST_CODE]`. The supported read command codes and the recommended configuration register settings (`qspi.LQSPI_CFG`) are listed in [Table 12-3](#).

Table 12-3: Quad-SPI Device Configuration Register Values

Operating Mode	Instruction Code	Winbond & Spansion		Micron	
		1 Device	2 Devices	1 Device	2 Devices
Read (serial bit)	0x03	0x80000003	0xE0000003	0x80000003	0xE0000003
Fast Read (serial bit)	0x0B	0x8000010B	0xE000010B	0x8000010B	0xE000010B
Dual Output Fast Read	0x3B	0x8000013B	0xE000013B	0x8000013B	0xE000013B
Quad Output Fast Read	0x6B	0x8000016B	0xE000016B	0x8000016B	0xE000016B
Dual I/O Fast Read	0xBB	0x82FF00BB	0xE2FF00BB	0x82FF01BB	0xE2FF01BB
Quad I/O Fast Read	0xEB	0x82FF02EB	0xE2FF02EB	0x82FF04EB	0xE2FF06EB

## Performance Modes

To get the highest performance, the user should use the Quad-SPI controller in the Quad I/O mode. The user can improve read performance by using the Quad-SPI device in continuous read mode. This eliminates read instruction overhead for successive commands. Please refer to the `LQSPI_CFG` register for more details (see [Appendix B, Register Details](#)).

Refer to the applicable Zynq-7000 AP SoC data sheet for operating frequencies.

## Read Data Management

A 63-deep RxFIFO provides read data buffering to hold a minimum of three AXI burst transfer lengths of 16 bytes each. Since the RxFIFO starts receiving data as soon as the chip-select signal is active, the linear address adapter removes incoming data that corresponds to the instruction code, if any, the address, and the dummy cycles.

The read data must be aligned with the corresponding word boundary specified by the address. For data alignment purposes, the controller can modify the address as illustrated in [Figure 12-4](#) before it is sent to the flash memory device. The address modification involves reducing the address by up to 3 byte locations such that the intended return data is word aligned automatically. The amount of address change is transparent to the AXI interface, and is instruction dependent.

For example, if Cmd + address + mode + dummy (QSPI\_instruction) does not end on a 32 bit boundary, the linear controller subtracts 1,2,3 from the address to align data on the 32 bit boundary.

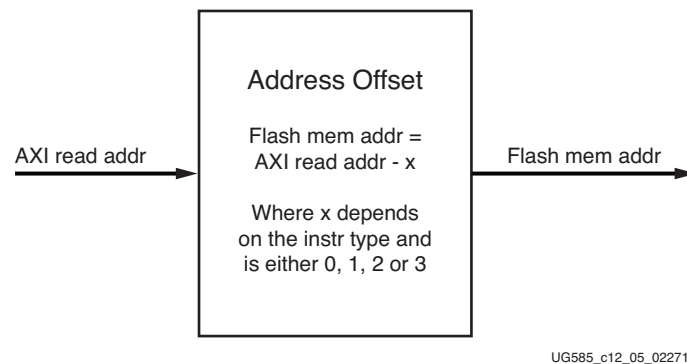


Figure 12-4: Automatic Address Offset For Word Alignment

## Read Latency

In linear mode, the default read mode is fast Quad I/O. The following is an example to calculate latency at the memory in the Quad I/O mode at 100 MHz with 2 dummy bytes. For a single device, the number of clock cycles from the time an 8-bit instruction code and a 24-bit address is available to the time when the first 32-bit data becomes available is:

Total latency = instruction latency + address latency + overhead (mode + dummy bites + offset) + latency

$$= 8 \text{ cycles} + 6 \text{ cycles} + 8 (2+4+2) \text{ cycles} + 8 \text{ cycles}$$

$$= 30 \text{ cycles}$$

With the SPI clock of 100 MHz, the latency at the memory interface is 320 ns. Other read modes have higher latency and can be calculated in a similar manner.

## 12.2.6 Unsupported Devices

A number of devices implement custom 4-bit wide SPI-like interfaces for flash memory access, such as the SQI devices from SST, and the Fast4 devices from Atmel. Some other Quad-SPI devices, like some Micron/Numonyx devices, offer an option to switch operation to such a custom 4-bit interface, through a non-volatile configuration bit.

These interfaces operate differently from the devices supported by the Quad-SPI controller. These flash memory devices operate in 4-bit mode during the instruction phase, as well as the address and data phases. This requires the Quad-SPI flash controller to power up in 4-bit mode and remain in that mode permanently (or until configured otherwise, if that option is available). There are no plans to enable the support for these custom interfaces.

## 12.2.7 Supported Memory Read and Write Commands

Supports commands that transfers address one bit per rising edge of SCK and return data 1, 2, or 4 bits of data per rising edge of SCK. These commands are called Read or Fast Read for 1-bit data; Dual Output Read for 2-bit data, and Quad Output for 4-bit data.

Supports commands that transfer both address and data 2 or 4 bits per rising edge of SCK. These are called Dual I/O for 2-bit and Quad I/O for 4-bit.

Table 12-4: Memory Read and Write Commands

Instruction Name	Description	Code(Hex)
READ	Read. Single-bit address sent for every rising edge of clock. Data returned one bit per rising edge of SCLK.	03
FAST_READ	Read Fast. Single-bit address sent for every rising edge of clock. Data returned one bit per rising edge of SCLK.	0B
DOR	Read Dual Out. Single-bit address sent for every rising edge of clock. Data returned two bits per rising edge of SCLK.	3B
QOR	Read Quad Out. Single-bit address sent for every rising edge of clock. Data returned four bits per rising edge of SCLK.	6B
DIOR	Dual I/O Read. Two-bit address sent for every rising edge of clock. Data returned four bits per rising edge of SCLK.	BB
QIOR	Quad I/O Read. Four-bit address sent for every rising edge of clock. Data returned four bits per rising edge of SCLK.	EB
PP	Page Program. Single-bit address sent for every rising edge of clock. Data sent single bit per rising edge of SCLK.	02
QPP	Quad Page Program. Single-bit address sent for every rising edge of clock. Data sent four bits per rising edge of SCLK.	32 in case of Spansion and Micron devices. 38 in case of Macronix devices.

## 12.3 Programming Guide

### Example: Start-up Sequence

1. **Configure Clocks.** Refer to section [12.4.1 Clocks](#).
2. **Configure Tx/Rx Signals.** Refer to section [12.5.2 MIO Programming](#).
3. **Reset the Controller.** Refer to section [12.4.2 Resets](#).
4. **Configure the Controller.** Refer to section [12.3.1 Configuration](#).

Now, either configure the controller for linear addressing mode (section [12.2.5 Linear Addressing Mode](#)) or configure the controller for I/O mode (section [12.3.3 Configure I/O Mode](#) and section [12.3.4 I/O Mode Interrupts](#)).

## 12.3.1 Configuration

### Example: Configure Controller

This example applies to both linear addressing and I/O modes. It prepares the controller baud rate, FIFO, flash mode, clock phase/polarity, and programs the loopback delay.

The values to program into the `qspi.Config_reg` register are shown in [Table 12-3, page 331](#).

1. **Configure the controller.** Write to the `qspi.Config_reg` register.
  - a. Set baud rate, [BAUD\_RATE\_DIV].
  - b. Select master mode, [MODE\_SEL] = 1 .
  - c. Select flash mode (not Legacy SPI), [LEG\_FLSH] = 1 .
  - d. Select Little Endian, [endian] = 0.
  - e. Set FIFO width to 32 bits, [FIFO\_WIDTH].
  - f. Set clock phase, [CLK\_PH] and Polarity, [CLK\_POL].
2. **If baud rate divider is 2, then change default setting.** If the `qspi.Config_reg[BAUD_RATE_DIV]` is set to `0b00`, configure the `qspi.LPBK_DLY_ADJ` (loopback delay adjustment) register with the following settings:
  - a. **Set to select internal clock.** `qspi.LPBK_DLY_ADJ[USE_LPBK] = 1`.
  - b. **Set the clock delay 0.** `qspi.LPBK_DLY_ADJ[DLY0] = 0b00`.
  - c. **Set the clock delay 1.** `qspi.LPBK_DLY_ADJ[DLY1] = 0b00`.

## 12.3.2 Linear Addressing Mode

### Example: Linear Addressing Mode (Memory Reads)

The sequence of operations for data reads in linear addressing mode is as follows:

1. **Set manual start enable to auto mode.** Set `qspi.Config_reg[Man_start_en] = 0`.
2. **Assert the chip select.** Set `qspi.Config_reg[PCS] = 0`.
3. **Program the configuration register for linear addressing mode.** Example values are shown in [Table 12-3, page 331](#).
4. **Enable the controller.** Set `qspi.En_REG[SPI_EN] = 1`.
5. **Read data from the linear address memory region.** The memory range depends on the size and number of devices. The range is from `0xFC00_0000` up to `0xFDFE_FFFF`.
6. **Disable the controller.** Set `qspi.En_REG[SPI_EN] = 0`.
7. **De-assert chip select.** Set `qspi.Config_reg[PCS] = 1`.

## 12.3.3 Configure I/O Mode

### Example: I/O Mode (Memory Reads and Writes)

The sequence of operations uses I/O mode for reads and writes.

1. **Enable manual mode.** Write 1 to `qspi.Config_reg[Man_start_en, Manual_CS] = 1`.
2. **Configure the flash device.** Refer to [Figure 12-6, page 342](#). Use reset values of the `qspi.LQSPI_CFG` register for a single flash device. In case of a parallel dual flash device, write 1 to the `TWO_MEM, SEP_BUS` bit fields.
3. **Assert chip select.** Set `qspi.Config_reg[PCS] = 0`.
4. **Enable the controller.** Set `qspi.En_REG[SPI_EN] = 1`.
5. **Write byte sequences to the flash memory.** Write from 1 to 4 bytes to the TxFIFO using the TXD registers. Refer to section [12.2.3 I/O Mode Transmit Registers \(TXD\)](#).
6. **Avoid TxFIFO overflow.** When the TxFIFO is empty, 252 bytes can be written. After that, software can avoid overflowing the TxFIFO by reading `qspi.Intr_status_REG[TX_FIFO_full]` and waiting until it equals 0 before writing to a TXD register.
7. **Enable the interrupts.** Write to `qspi.Intrpt_en_REG`. Interrupt handlers that handle the interrupt conditions are discussed in interrupt handlers section.
8. **Start data transfer.** Set `qspi.Config_reg[Man_start_com] = 1`.
9. **Interrupt handler:** Transfer all the required data to QSPI flash during program/read operations to Quad-SPI flash. (See [Example: I/O Mode Interrupt Service Routine, page 336](#).)
10. **If read operations are carried out:** re-arrange the READ data to eliminate the data read due to dummy cycles.
11. **Disable controller.** Set `qspi.En_REG[SPI_EN] = 0`.
12. **De-assert chip select.** Set `QSPI.Config_reg[PCS] = 1`.

Note that the TxFIFO width must be programmed to 32 bits: `qspi.Config_reg[FIFO_WIDTH] = 0b11`. Software needs to take care of “consecutive non word aligned” transfers.

### Example: I/O Mode Interrupt Service Routine

1. **Configure the ISR to handle the interrupt conditions based on the Quad-SPI device type.** To read from the Quad-SPI device, the simplest ISR reads data from the RxFIFO and writes content to the TxFIFO. The system interrupt controller (GIC) is described in [Chapter 7, Interrupts](#). The controller generates a system peripheral interrupt (SPI), IRQ ID #51. The interrupt mechanism for the Quad-SPI controller is described in section [12.3.4 I/O Mode Interrupts](#).
  - a. Read transfer interrupt. RxFIFO Not Empty Interrupt
  - b. Write transfer interrupt. TxFIFO Not Full Interrupt

## 12.3.4 I/O Mode Interrupts

**Interrupts are only used in I/O mode.** The controller interrupt is asserted whenever any of the interrupt conditions are met. The Quad-SPI interrupt handler checks the cause of the interrupt. A single interrupt service routine can manage all of the interrupt conditions.

### Example: Interrupt Handler for Rx and Tx

The interrupt handler is trigger by IRQ ID #51. The example reads the RxFIFO until it is empty and then fills-up the TxFIFO. The RxFIFO Not Empty Interrupt status is used to determine if content can be read from the RxFIFO. The TxFIFO Not Full interrupt indicates if there is room in the TxFIFO for more content.

1. **Disable all of the interrupts in the controller.** Set `qspi.Intrpt_dis_REG[TX_FIFO_not_full, RX_FIFO_full]` both = 1.
2. **Clear the interrupts.** Read the interrupt status register `qspi.Intr_status_REG`.
3. **Empty the RxFIFO.** Check if RxFIFO Not Empty interrupt is asserted. If `qspi.Intr_status_REG[RX_FIFO_not_empty] = 1`, then there is data in the RxFIFO.
  - a. **If the status is asserted, then read data from the RxFIFO.** Read the data using the `qspi.RX_data_REG` register.
  - b. **Read data from the RxFIFO and poll the interrupt status until the RxFIFO is empty.** The RxFIFO is empty when `qspi.Intr_status_REG[RX_FIFO_not_empty] = 0`.
4. **Fill the TxFIFO.** Check if the TxFIFO Not Full status is asserted. If `qspi.Intr_status_REG[TX_FIFO_not_Full] = 1`, then there is data to be sent to the flash device (program and/or read operations):
  - a. Write data to the `qspi.TXD0` register.
  - b. Poll for `qspi.Intr_status_REG[TX_FIFO_full] = 1`, which indicates TX FIFO is full.
  - c. Follow steps a and b until all the data is written to the TxFIFO or until `qspi.Intr_status_REG[TX_FIFO_full] = 1`.
5. **Enable the interrupts.** Set `qspi.Intrpt_en_REG[TX_FIFO_not_full, RX_FIFO_full]` both = 1.
6. **Start the data transfer.** Set `qspi.Config_reg[MANSTRTEN] = 1`.



### 12.3.5 Rx/Tx FIFO Response to I/O Command Sequences

Example command and sequences:

- Write Enable Command
- Read Status Command
- Read Data Sequence

In these examples, YY can have any value. Each YY pair could have a different value.

To receive data in serial legacy mode, the value is sampled from MISO/DQ1 line into RxFIFO synchronous to clock, while the command and address transactions occur on MOSI/DQ0.

#### Example: Write Enable Command (code 0x06)

1. **Send the Write Enable Command (WREN).** Write 0xYYYY\_YY06 to the qspi.TXD1 register.
  - a. WREN command = 0x06.
  - b. YY = 0.
  - c. The controller shifts one bytes out of the TxFIFO to the device and receives two bytes in the RxFIFO.
2. **Read Status.** Reads the qspi.RXD register and receive 0xYYPP\_PPPP.
  - a. Value is 0x0000\_0000 when YY = 0x0 (the status) and PP\_PPPP = 0x0 (previous state of the bits).
  - b. Software remembers that one byte resulted from the Write Enable command and returns 0xYY to the calling function.

The content in the RxFIFO after sending the WREN command follows. (Previous means that the value has not changed from the register's previous value.)

RxFIFO Entry	MSB			LSB
1	Invalid	Invalid	Invalid	Invalid
0	00	Previous	Previous	Previous

#### Example: Read Status Command (code 0x05)

1. **Send the Read Status Command (RDSR).** Write 0xYYYY\_DD05 to the qspi.TXD2 register.
  - a. Command is 0x05, DD = dummy data, YY = 0
  - b. The controller shifts two bytes out of the TxFIFO to the flash memory and receives two bytes in the RxFIFO.
2. **Read Status Value.** Read 0xZZYY\_PPPP from the qspi.RXD register.
  - a. Value is 0x0300\_0000 when ZZ = 0x03, YY == 0x0 and PPPP = 0x0.
  - b. Software remembers that two bytes are valid and returns 0x00, 0x03 to the calling function.

The content in the RxFIFO after sending the RDSR command is shown in the table (previous means the value has not changed from the register's previous value):

TxFIFO Entry	MSB			LSB
1	Invalid	Invalid	Invalid	Invalid
0	0x3	0x00	Previous	Previous

**Example: Read Data Sequence**

This example returns the four bytes of data at address 0 to the calling function.

1. **Send the data read instruction.** Write 0xA2A1\_A003 to the qspi.TXD0 register.
  - a. Instruction includes command (0x03) plus address (A0, A1 and A2).
2. **Send dummy data.** Write 0xD0D1\_D2D3 (dummy data) to the qspi.TXD0 register (second TxFIFO entry).
  - a. The controller shifts 8 bytes out of the TxFIFO to the flash memory and receives 8 bytes in the RxFIFO.

The content of the TxFIFO for this example follows. The byte sequence from controller to the device is: 0x03, Y0, Y1, Y2, D0, D1, D2 and D3.

TxFIFO Entry	MSB			LSB
1	D3	D2	D1	D0
0	A2	A1	A0	0x03

3. **Read past the instruction word.** Read the qspi.RXD register and receive 0xYYYY\_YYYY:
  - a. YY = 0.
4. **Read flash memory data.** Read the RXD register again and receives 0xD3D2\_D1D0.
  - a. For the second read, software remembers that four bytes are valid.
  - b. Example data: 0x2468ACEF.
  - c. Overall, software reads these bytes: 0x00, 0x00, 0x00, 0x00, 0x24, 0x68, 0xAC, 0xEF and returns the four bytes of data to the calling function.

The content of the RxFIFO for this example follows. The byte sequence from the device to controller is: YY, YY, YY, YY, 0xEF, 0xAC, 0x68 and 0x24.

RxFIFO Entry	MSB			LSB
1	0x24	0x68	0xAC	0xEF
0	YY	YY	YY	YY

## 12.3.6 Register Overview

The register overview is provided in [Table 12-5](#).

Table 12-5: Quad-SPI Register Overview

Address Offset	Mnemonic Software Name	Description
0x00	Config_reg	Configuration
0x04	Intr_status_REG	Interrupt status
0x08	Intrpt_en_REG	Interrupt enable
0x0C	Intrpt_dis_REG	Interrupt disable
0x10	Intrpt_mask_REG	Interrupt mask
0x14	En_REG	Controller enable
0x18	Delay_REG	Delay
0x1C	TXD0	Transmit 1-byte command and 3-byte data OR 4-byte data
0x20	Rx_data_REG	Receive data (RxFIFO)
0x24	Slave_Idle_count_REG	Slave idle count
0x28	TX_thres_REG	TxFIFO threshold level (in 4-byte words)
0x2C	RX_thres_REG	RxFIFO Threshold level (in 4-byte words)
0x30	GPIO	General purpose inputs and outputs
0x38	LPBK_DLY_ADJ	Loopback master clock delay adjustment
0x80	TXD1	Transmit 1-byte command
0x84	TXD2	Transmit 1-byte command and 1-byte data
0x88	TXD3	Transmit 3-byte 1-byte command and 2-byte data
0xA0	LQSPI_CFG	Linear mode configuration
0xA4	LQSPI_STS	Linear mode status
0xFC	MOD_ID	Module ID

## 12.4 System Functions

### 12.4.1 Clocks

The controller and I/O interface are driven by the reference clock (QSPI\_REF\_CLK). The controller's interconnect also requires an APB interface CPU\_1x clock. These clocks are generated by the PS clock subsystem.

## CPU\_1x Clock

Refer to section 25.2 [CPU Clock](#), for general clock programming information. The CPU\_1x clock runs asynchronous to the Quad-SPI reference clock.

## Reference Clock

The QSPI\_REF\_CLK is the main controller clock and is divided down to generate the SCLK clock for the flash memory interface. The QSPI\_REF\_CLK is sourced from the PS Clock Subsystem. The clock enable, PLL select, and divisor setting are programmed using the slcr.LQSPI\_CLK\_CTRL register. Refer to section 25.6.3 [SDIO, SMC, SPI, Quad-SPI and UART Clocks](#) for Quad-SPI clock programming information.

For power management, the clock enable in the slcr register can be used to turn off the clock. The operating frequency for the reference clock is defined in the data sheet.

## Clock Ratio Restriction in Manual Mode

In manual mode, the QSPI\_REF\_CLK frequency must be of greater than or equal value to that of CPU\_1x clock frequency for reliable operation of the controller.

There is no such restriction in automatic mode. The reference clock is divided down by qspi.Config\_reg[baud\_rate\_divisor] to generate the SCLK clock for the flash memory.

### Example: Setup Reference Clock

This example assumes the selected PLL (ARM, DDR or IO) is operating at 1000 MHz and the desired Quad-SPI reference clock frequency is 200 MHz.

1. **Select PLL source, divisors and enable.** Write `0x0000_0501` to the slcr.QSPI\_CLK\_CTRL register.
  - a. Enable the reference clock.
  - b. Divide the I/O PLL clock by 5: DIVISOR = `0x05`.
  - c. Select the I/O PLL as the clock source.

## Quad-SPI Feedback Clock

The Quad-SPI interface supports an optional feedback clock pin named qspi\_sclk\_fb\_out. This pin is used with the high speed Quad-SPI timing mode, where the memory interface clock needs to be greater than 40 MHz. The feedback signal is received from the internal input from the I/O so MIO pin 8 needs to be programmed and allowed to freely toggle. Refer to optional programming example in section 12.5.2 [MIO Programming](#) for instructions on how to program the MIO\_PIN\_08 register.

When Quad-SPI feedback mode is used, the qspi\_sclk\_fb\_out pin should only be connected to a pull-up or pull-down resistor which is needed to set the MIO voltage mode (vmode).

When operating at a Quad-SPI clock frequency greater than FQSPICLK2, the MIO 8 pin must be programmed as the feedback output clock and the MIO 8 pin must only be connected to a pull-up/pull-down resistor on the PCB for boot strapping.

## 12.4.2 Resets

The controller has two reset domains: the APB interface and the controller itself. They can be controlled together or independently. The effects for each reset type are summarized in Table 12-6.

Table 12-6: Quad-SPI Reset Effects

Name	APB Interface	TxFIFO and Rx FIFO	Protocol Engine	Registers
<b>ABP Interface Reset</b> slcr.LQSPI_RST_CTRL[LQSPI_CPU1X_RST]	Yes	Yes	No	Yes
<b>PS Reset Subsystem</b> slcr.LQSPI_RST_CTRL[QSPI_REF_RST]	No	Yes	Yes	No

### Example: Reset the APB Interface and Quad-SPI Controller

1. **Set controller resets.** Write a 1 to the slcr.LQSPI\_RST\_CTRL[QSPI\_\_REF\_RST and LQSPI\_CPU1X\_RST] bit fields.
2. **Clear controller resets.** Write a 0 to the slcr.LQSPI\_RST\_CTRL[QSPI\_\_REF\_RST and LQSPI\_CPU1X\_RST] bit fields.

## 12.5 I/O Interface

### 12.5.1 Wiring Connections

The I/O signals are available via the MIO pins. The Quad-SPI controller supports up to two SPI flash memories in either a shared or separate bus configuration. The controller supports operation in several configurations:

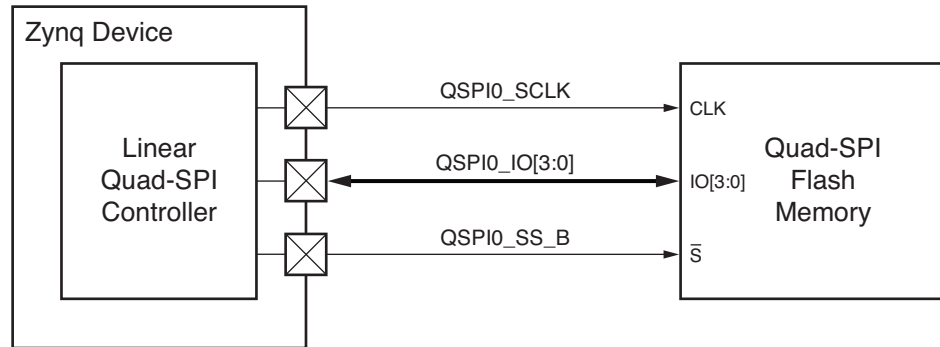
- Quad-SPI single SS, 4-bit I/O
- Quad-SPI dual SS, 8-bit parallel I/O
- Quad-SPI dual SS, 4-bit stacked I/O
- Quad-SPI single SS, legacy I/O



**IMPORTANT:** QSPI 0 should always be present if the QSPI memory subsystem is to be used. QSPI 1 is optional and is only required for the two-memory arrangement. Therefore, QSPI\_1 cannot be used alone.

### Single SS, 4-bit I/O

A block diagram of the 4-bit flash memory interface connected to the controller configuration is shown in Figure 12-5.

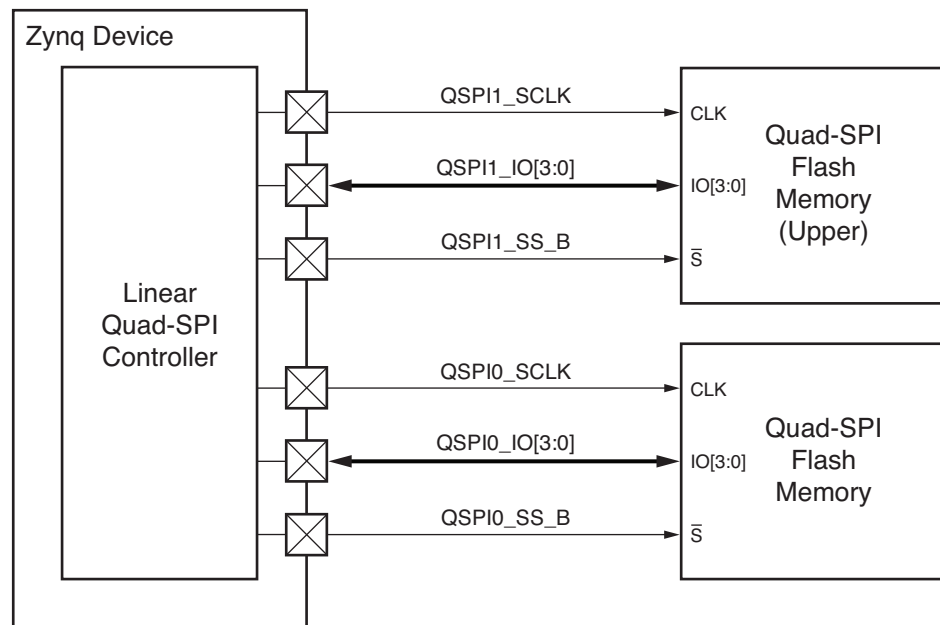


UG585\_c12\_06\_022712

Figure 12-5: Quad-SPI Single SS 4-bit I/O

### Dual SS, 8-bit Parallel

The controller supports up to two SPI flash memories operating in parallel, as shown in Figure 12-6. This configuration increases the maximum addressable SPI flash memory from 16 MB (24-bit addressing) to 32 MB (25-bit addressing).



UG585\_c12\_07\_022712

Figure 12-6: Quad-SPI Dual SS, 8-bit Parallel I/O

For 8 bit parallel configuration, even bits of the data words are located in lower memory and odd bits of data are located in upper memory. The controller takes care of data management in both I/O and linear mode. The Quad-SPI controller does a read from the two Quad-SPI devices and ORs (or

operation) both device’s status information before writing the status data in the RXFIFO. Table 12-7 shows the data bit arrangement of a 32-bit data word for 8 bit parallel configuration. Table 12-8 shows Quad-SPI CMD behavior in Dual Quad-SPI parallel mode.

Table 12-7: Quad-SPI Dual SS, 8-bit Parallel I/O Data Management

Single Device																															
7	6	5	4	3	2	1	0	15	14	13	12	11	10	9	8	23	22	21	20	19	18	17	16	31	30	29	28	27	26	25	24
byte 0								byte 1								byte 2								byte 3							

Dual Devices Lower Memory															
6	4	2	0	14	12	10	8	22	20	18	16	30	28	26	24

Dual Devices Upper Memory															
7	5	3	1	15	13	11	9	23	21	19	17	31	29	27	25
byte 0				byte 1				byte 2				byte 3			

Table 12-8: Quad-SPI CMD Behavior in Dual Quad-SPI Parallel Mode

Command	Dual Parallel Quad-SPI Controller Behavior
Sector Erase	The Quad-SPI controller sends erase command to both chips; 64 KB erase operation is done to each part. Effectively erases combined 128 KB from both memories.
Read ID	Only takes received data from the lower flash bus and places it in RXD. Hence no need to combine the data. It is therefore required that the upper and lower flash parts be identical parts when using Parallel Flash Mode.
Page Program	Even and odd bits are separated and programed in both memories. Refer to Table 12-7 for more information.
Read	Even and odd data bits are read from both device and are interleaved as shown in Table 12-7.
RDSR	The WIP bit from both parts are OR'ed together to form the LSB .of the data read, the other 7 bits come just from the lower bus.

In 8 bit parallel configuration, total addressable memory size is 32 MB. This requires a 25-bit address. All accesses to memory must be word aligned and have double-byte resolution. In linear mode, the Quad-SPI controller divides the AXI address by 2 and sends the divided address to the Quad-SPI device. In IO mode, software is responsible for doing the address translation to comply with SPI 24-bit address support.

### Dual SS, 4-bit Stacked I/O

To reduce the I/O pin count, the controller also supports up to two SPI flash memories in a shared bus configuration, as shown in Figure 12-7. This configuration increases the maximum addressable SPI flash memory from 16 MB (24-bit addressing) to 32 MB (25-bit addressing), but the throughput remains the same as for single memory mode. Note that in this configuration, the device level XIP mode (read instruction codes of 0xbb and 0xeb), is not supported.

The lower SPI flash memory should always be connected if the linear Quad-SPI memory subsystem is used, and the upper flash memory is optional. Total address space is 32 MB with a 25-bit address. In IO mode, the MSB of the address is defined by U\_PAGE which is located at bit 28 of register 0xA0. In Linear address mode, AXI address bit 24 determines the upper or lower memory page. All of the commands will be executed by the device selected by U\_PAGE in I/O mode and address bit 24 in linear mode.

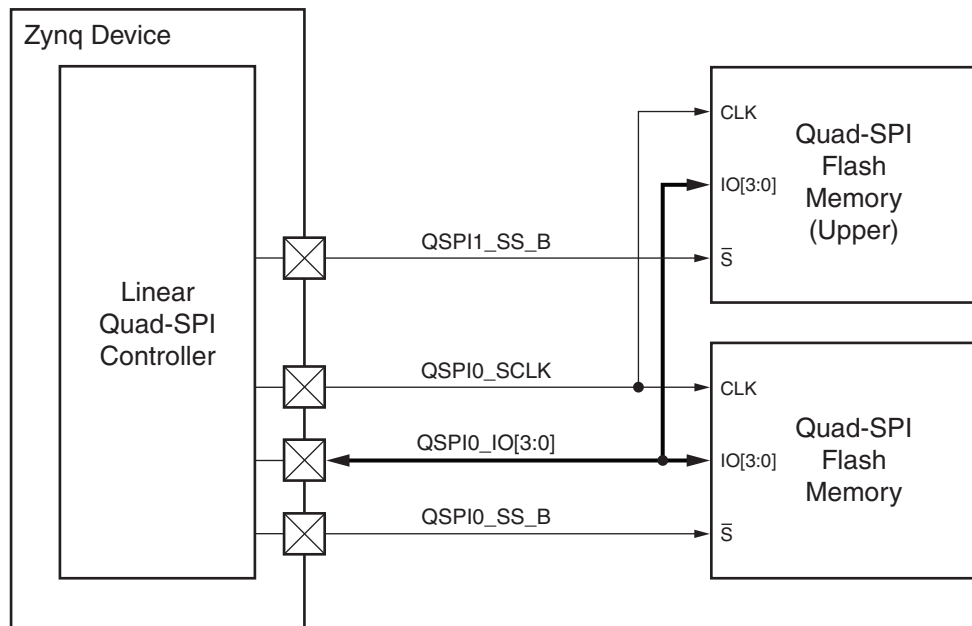


Figure 12-7: Quad-SPI Dual SS 4-bit Stacked I/O



## Single SS, Legacy I/O

The Quad-SPI controller can be operated in legacy single-bit serial interface mode for 1x, 2x and 4x I/O modes as shown in [Figure 12-8](#).

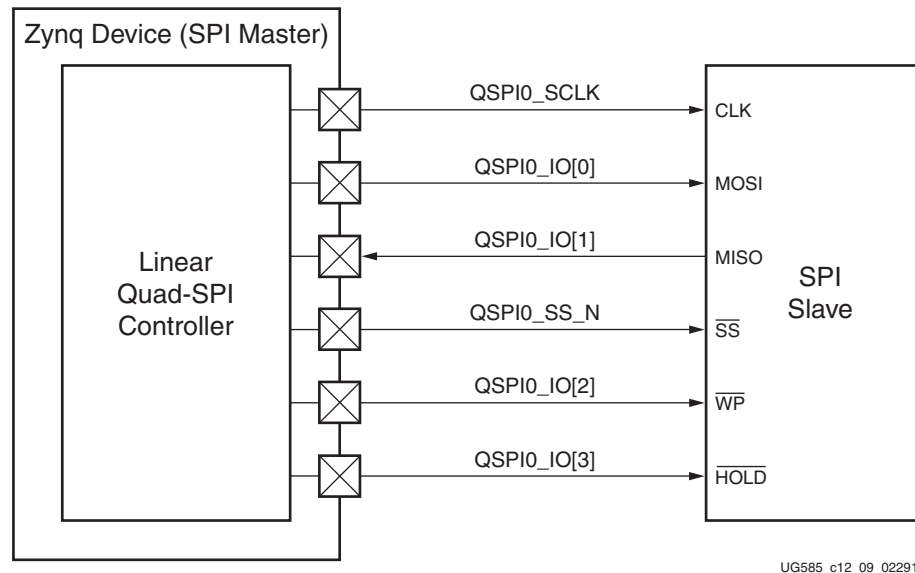


Figure 12-8: Quad-SPI Single SS, Legacy I/O

## 12.5.2 MIO Programming

The Quad-SPI signals can be routed to specific MIO pins, refer to [Table 12-9](#), Quad-SPI Interface Signals. Wiring diagrams are shown in [Figure 12-5](#) to [Figure 12-8](#). The general routing concepts and MIO I/O buffer configurations are explained in section [2.4 PS-PL Voltage Level Shifter Enables](#).

If a four-bit I/O bus is used, then use Quad-SPI 0. If a bus frequency of greater than 40 MHz is needed, then the Quad-SPI feedback clock must be routed on MIO pin 8.

### Example: Program I/O for a Single Device

These steps are required for all of the Quad-SPI I/O interface connections listed above.

1. **Configure MIO pin 1 for chip select 0 output.** Write `0x0000_1302` to the `slcr.MIO_PIN_01` register:
  - a. Route Quad-SPI 0 chip select to pin 1.
  - b. 3-state controlled by Quad-SPI (`TRI_ENABLE = 0`).
  - c. LVCMOS18 (refer to the register definition for other voltage options).
  - d. Slow CMOS edge (benign setting).
  - e. Enable internal pull-up resistor.
  - f. Disable HSTL receiver.

2. **Configure MIO pins 2 through 5 for I/O.** Write `0x0000_0302` to each of the `slcr.MIO_PIN_{02:05}` registers:
  - a. Route Quad-SPI 0 I/O pins to pin 2 through 5.
  - b. 3-state controlled by Quad-SPI (`TRI_ENABLE = 0`).
  - c. LVCMOS18 (refer to the register definition for other voltage options).
  - d. Slow CMOS drive edge.
  - e. Disable internal pull-up resistor.
  - f. Disable HSTL receiver.
3. **Configure MIO pin 6 for serial clock 0 output.** Write `0x0000_0302` to the `slcr.MIO_PIN_06` register:
  - a. Route Quad-SPI 0 serial clock to pin 6.
  - b. 3-state controlled by Quad-SPI (`TRI_ENABLE = 0`).
  - c. LVCMOS18 (refer to the register definition for other voltage options).
  - d. Slow CMOS edge (benign setting).
  - e. Disable internal pull-up resistor.
  - f. Disable HSTL receiver.

#### Option: Add Second Device Chip Select

This step is required for the following I/O connections:

- Dual selects, shared 4-bit data memory interface.
  - Dual selects, separate 4-bit data memory interface.
4. **Configure MIO pin 0 for chip select 1 output.** Write `0x0000_1302` to the `slcr.MIO_PIN_00` register:
    - a. Route Quad-SPI 1 chip select to pin 0.
    - b. 3-state controlled by Quad-SPI (`TRI_ENABLE = 0`).
    - c. LVCMOS18 (refer to the register definition for other voltage options).
    - d. Slow CMOS edge (benign setting).
    - e. Enable internal pull-up resistor.
    - f. Disable HSTL receiver.

#### Option: Add Second Serial Clock

This step is required for the Dual Selects, Separate 4-bit Data Memory Interface:

5. **Configure MIO pin 9 for serial clock 1 output.** Write `0x0000_0302` to the `slcr.MIO_PIN_09` register:
  - a. Route Quad-SPI 1 serial clock to pin 9.
  - b. 3-state controlled by Quad-SPI (`TRI_ENABLE = 0`).
  - c. LVCMOS18 (refer to the register definition for other voltage options).

- d. Slow CMOS edge (benign setting).
- e. Disable internal pull-up resistor.
- f. Disable HSTL receiver.

### Option: Add 4-bit Data

These steps are required for the dual selects, separate 4-bit data memory interface:

6. **Configure MIO pins 10 through 13 for I/O.** Write `0x0000_0302` to each of the `slcr.MIO_PIN_{10:13}` registers:
  - a. Route Quad-SPI 1 I/O pins to pin 9 through 13.
  - b. 3-state controlled by Quad-SPI (`TRI_ENABLE = 0`).
  - c. LVCMOS18 (refer to the register definition for other voltage options).
  - d. Slow CMOS drive edge.
  - e. Disable internal pull-up resistor.
  - f. Disable HSTL receiver.

### Option: Add Feedback Output Clock

The optional feedback clock is used when the I/O interface is operated above 40 MHz. It should only be connected to a pull-up or pull-down resistor for pin strapping resistor for MIO voltage mode, `vmode`. The feedback clock must also be enabled.

7. **Configure MIO pin 8 for feedback clock.** Write `0x0000_0302` to the `slcr.MIO_PIN_08` register:
  - a. Route Quad-SPI feedback clock output to pin 8.
  - b. 3-state controlled by Quad-SPI (`TRI_ENABLE = 0`).
  - c. LVCMOS18 (refer to the register definition for other voltage options).
  - d. Slow CMOS edge (benign setting).
  - e. Disable internal pull-up resistor.
  - f. Disable HSTL receiver.

### 12.5.3 MIO Signals

The Quad-SPI flash memory signals are routed through the MIO multiplexer to the MIO device pins. Each side of the dual controller port can be individually enabled or operate together as an 8-bit I/O interface.

The Quad-SPI flash memory signals are routed to the MIO pins as shown in [Table 12-9](#).

Table 12-9: Quad SPI Interface Signals

Quad-SPI Flash Memory Interface				MIO Pin				Controller Default Input Value
Signal	I/O Mode for Data			Quad SPI 0	Quad SPI 1	I/O	Name	
	1-Bit Data	2-Bit Data	4-Bit Data					
Flash Chip Select	~			1	0	O	QSPI{1,0}_SS_B	~
Serial Clock	~			6	9	O	QSPI{1,0}_SCLK	~
Output Feedback Clk	~			8		O	QSPI_SCLK_FB_OUT	~
I/O 0	Master Output	I/O 0	I/O 0	2	10	IO	QSPI{1,0}_IO_0	0
I/O 1	Master Input	I/O 1	I/O 1	3	11	IO	QSPI{1,0}_IO_1	0
I/O 2	Write Protect	Write Protect	I/O 2	4	12	IO	QSPI{1,0}_IO_2	0
I/O 3	Hold	Hold	I/O 3	5	13	IO	QSPI{1,0}_IO_3	0

# SD/SDIO Controller

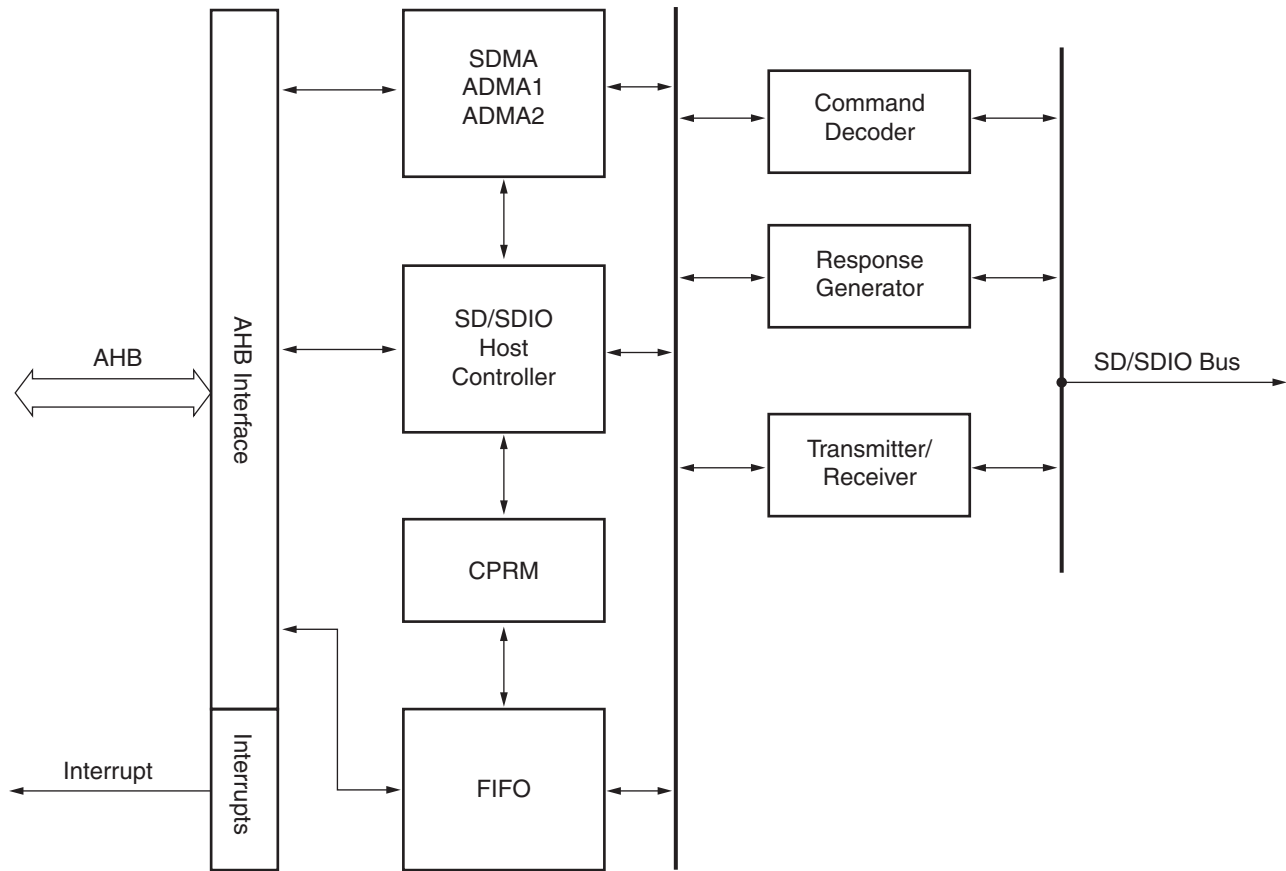
---

## 13.1 Introduction

The SD/SDIO controller communicates with SDIO devices, SD memory cards, and MMC cards with up to four data lines. On the SD interface, one (DAT0) or four (DAT0-DAT3) lines can be used for data transfer. The SDIO interface can be routed through the MIO multiplexer to the MIO pins or through the EMIO to SelectIO pin in the PL. The controller can support SD and SDIO applications in a wide range of portable low-power applications such as 802.11 devices, GPS, WiMAX, UWB, and others. The SD/SDIO controller block diagram is shown in [Figure 13-1](#).

The SD/SDIO controller is compatible with the standard *SD Host Controller Specification Version 2.0 Part A2* with SDMA (single operation DMA), ADMA1 (4 KB boundary limited DMA), and ADMA2 (ADMA2 allows data of any location and any size to be transferred in a 32-bit system memory - scatter-gather DMA) support. The core also supports up to seven functions in SD1, SD4, but does not support SPI mode. It does support SD high-speed (SDHS) and SD High Capacity (SDHC) card standards. The user should be familiar with the SD2.0/SDIO 2.0 specifications. These are listed in [Appendix A, Additional Resources](#). The SD/SDIO controller also supports MMC3.31 standard. eMMC flash memories are not primary boot devices for Zynq-7000 family, but can be used as secondary boot devices. For details, refer to [UG821, Zynq-7000 Software Developers Guide](#).

The SD/SDIO controller is accessed by the ARM processor via the AHB bus. The controller also includes a DMA unit with an internal FIFO to meet throughput requirements.



UG585\_c13\_01\_020613

Figure 13-1: SD/SDIO Controller Block Diagram

### 13.1.1 Key Features

The two SDIO controllers are controlled and operate independently with the same feature set:

- Host mode controller
  - Four I/O signals (MIO or EMIO)
  - Command, Clock, CD, WP, Pwr Ctrl (MIO or EMIO)
  - LED control, bus voltage (EMIO)
  - Interrupt or polling driven
- AHB master-slave interface operating at the CPU<sub>1x</sub> clock rate

Master mode for DMA transfers (with 1 KB FIFO)

- Slave mode for register accesses
- SDIO Specification 2.0
  - Low-speed, 1 KHz to 400 KHz
  - Full-speed, 1 MHz to 50 MHz (25 MB/sec)
  - High-speed and high-capacity memory cards

## 13.1.2 System Viewpoint

Figure 13-2 shows the SD/SDIO controller system viewpoint.

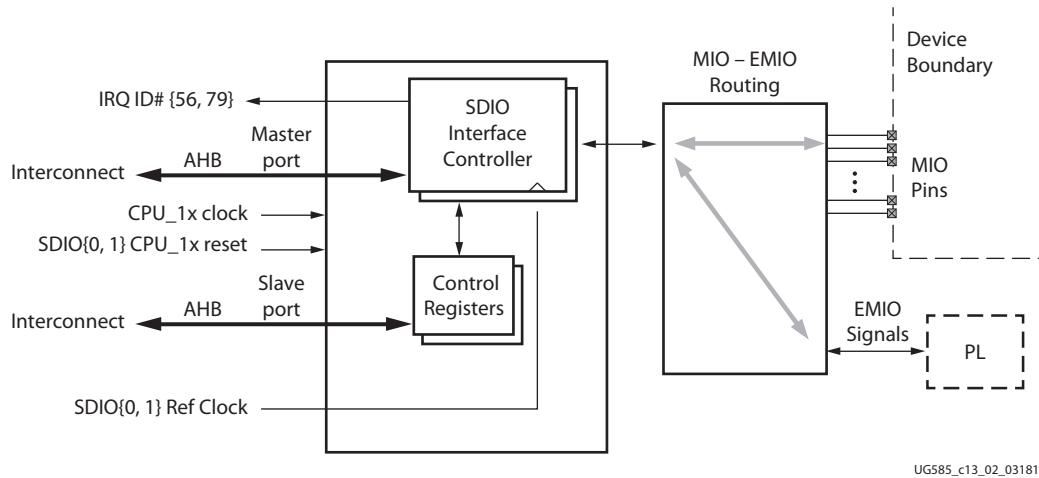


Figure 13-2: SD/SDIO Controller System Viewpoint Diagram

## 13.2 Functional Description

### 13.2.1 AHB Interface and Interrupt Controller

When using programmed I/O for data transfers, software reads and writes the `sdio.Buffer_Data_Port` register.

When using the local DMA unit for data transfers, the DMA unit initiates read or write memory transactions. The SDIO controller cannot be used with the PS DMAC.

The controller can generate IRQ interrupt #56 and 79 for SDIO 0 and SDIO 1, respectively. The status and masking of the interrupts are controlled by registers.

### 13.2.2 SD/SDIO Host Controller

The SD/SDIO host controller comprises:

- Host-AHB controller
- All control registers
- Bus monitor
- Clock generator
- CRC generator and checker (CRC7 and CRC16)

The host-AHB controller acts as bridge between the AHB bus and the host controller. The SD/SDIO controller registers are programmed by the processor through the AHB interface. Interrupts are generated based on the values set in the Interrupt Status and Interrupt Enable registers.

The bus monitor checks for violations occurring on the SD bus and timeout conditions. The clock generation block generates the SD clock depending on the value programmed in the Clock Control register.

The CRC7 and CRC16 generators calculate the CRC for command and data transfers to the SD/SDIO card. The CRC7 and CRC16 checker checks for any CRC errors in the response and data received from the SD/SDIO card. To detect data defects on the card, the host can include error correction codes in the payload data. ECC code is used to store data on the card. This ECC code is used by the application to decode the user data.

### 13.2.3 Data FIFO

The controller uses two 512 byte dual port FIFOs for performing write and read transactions. During a write transaction (data is transferred from the processor to an attached card) data is written by the processor alternatively into the first and second FIFO. When data is transferred to an attached card, alternatively the second and first FIFO is used, providing maximum data throughput.

During a read transaction (data is transferred from an attached card to the processor) the data from the card is alternatively written in the two FIFOs. When data from one FIFO is transferred to the processor the second FIFO is filled with data from the card and vice versa, optimizing data throughput.

If the controller cannot accept any data from a connected card, it issues a *read wait*, stopping the data transfer from the card by stopping the clock.

### 13.2.4 Command and Control Logic

The control logic block transmits data on the data lines during a write transaction and receives data during read transaction. The command control logic block transmits commands on the command lines and receives the response from the SD2.0 or SDIO2.0.

### 13.2.5 Bus Monitor

The bus monitor checks for violations occurring in the SD bus, and timeout conditions.



## 13.2.6 Stream Write and Read

This functionality applies to both DMA and non-DMA modes.

WRITE\_DAT\_UNTIL\_STOP(CMD20) writes a data stream from the host, starting at the given address, until a STOP\_TRANSMISSION follows.

READ\_DAT\_UNTIL\_STOP(CMD11) reads a data stream from the card, starting at the given address, until a STOP\_TRANSMISSION follows.

The host controller switches to the second FIFO after writing/reading a block of data to/from the first FIFO, but the stream transaction block size is not be programmed by the driver. So for both stream write and stream read transactions, it is recommended that the host driver writes the maximum FIFO size value to the Block Size register. Because the SDIO FIFO slice is set to 512 bytes, the host driver must write 512 bytes to the Block Size register. Therefore FIFO switching occurs after writing/reading the 512 bytes of data.

## 13.2.7 Clocks

The SDIO clock is derived from SDIO reference clock based on the Clock Control register value programmed by the driver and is available when the SD clock enable is set by the driver. The maximum frequency is 50 MHz.

The AHB system clock is used for the AHB interface.

The host controller supports both full speed and high speed cards. For the high speed card, the host controller should clock out the data at the rising edge of the SDIO clock. For the full speed card, the host controller should clock out the data at the falling edge of the SDIO clock.

Refer to [Table 24-2, page 661](#) for the more details about power management. Refer to [Chapter 25, Clocks](#) for details about the clocks.

## 13.2.8 Soft Resets

The host controller supports all soft resets mentioned in the *SD2.0/SDIO2.0 Host Controller Specification*.

## 13.2.9 FIFO Overrun and Underrun Conditions

This functionality applies to both DMA and non-DMA modes.

### Write

During the write transaction, the host controller transmits data to the card only when a block of data is ready to transmit and the card is not busy. Therefore an under-run condition cannot occur in the SD side.

- In DMA mode, the host controller initiates a DMA READ from the ARM processor only if space is available to accept a block of data.
- In non-DMA mode, the host controller asserts a buffer write ready interrupt only if space is available to accept a block of data.

## Read

During the read transaction when the FIFO is full (the FIFO does not have enough space to accept a block of data from the card) the host controller stops the `clk_sd` to the card. Therefore an over-run condition cannot occur in SD side.

- In DMA mode the host controller initiates a DMA WRITE to the ARM processor only on reception of a block of data from card.
- In non-DMA mode, the host controller asserts a buffer read ready interrupt only on reception of a block of data from card.

---

## 13.3 Programming Model

### 13.3.1 Data Transfer Protocol Overview

SD transfers are basically classified into following three types according to how the number of blocks is specified:

#### Single Block Transfer

The number of blocks is specified to the host controller before the transfer. The number of blocks specified is always one.

#### Multiple Block Transfer

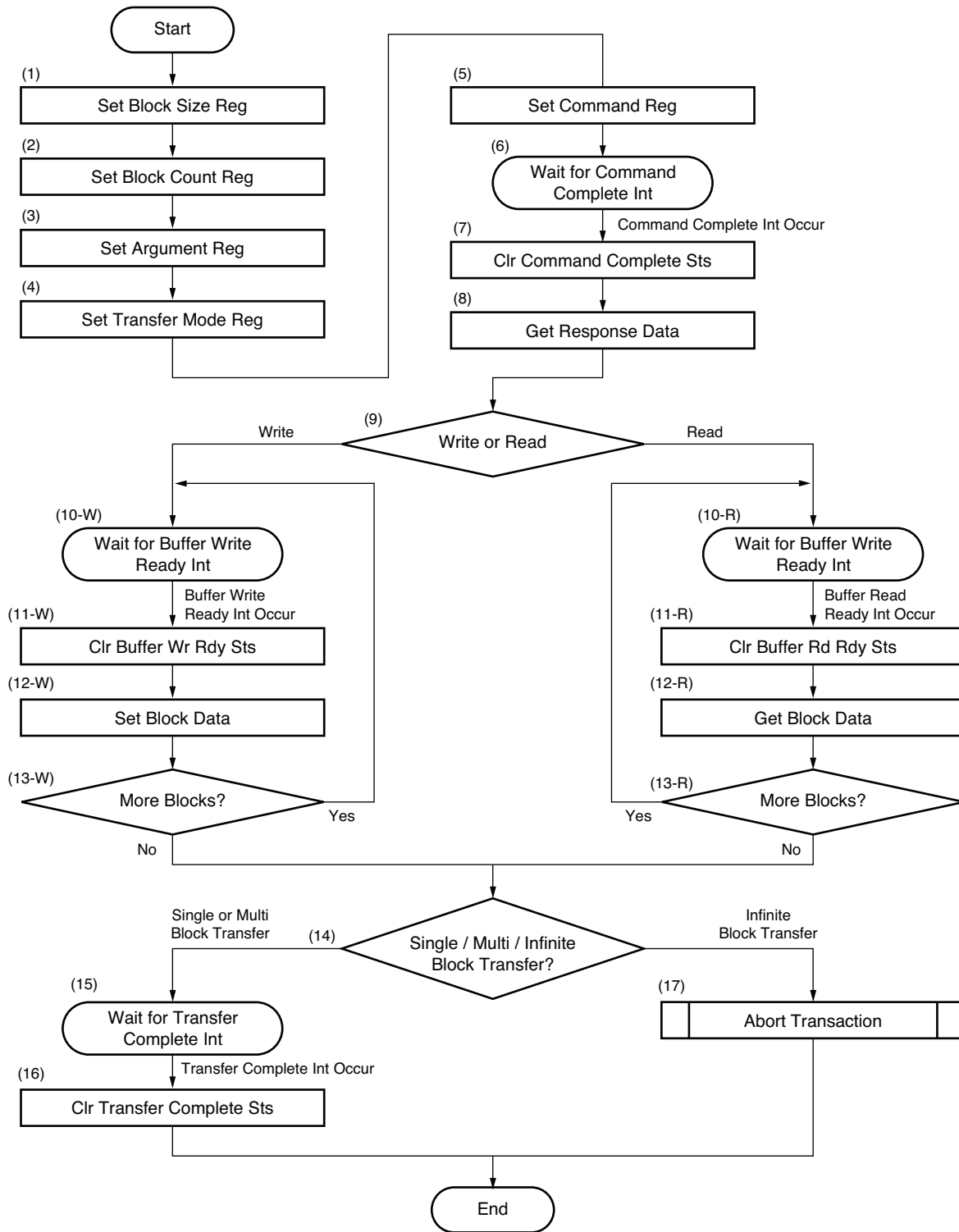
The number of blocks is specified to the host controller before the transfer. The number of blocks specified is one or more.

#### Infinite Block Transfer

The number of blocks is not specified to the host controller before the transfer. This transfer is continued until an abort transaction is executed. This abort transaction is performed by CMD12 in the case of an SD memory card and by CMD52 in the case of an SDIO card.

### 13.3.2 Data Transfers Without DMA

Figure 13-3 shows data transfers without using DMA.



UG585\_c13\_03\_031812

Figure 13-3: Data Transfer Using DAT Line Sequence (Without Using DMA)

The sequence for data transfers without using DMA is as follows:

1. Set the value corresponding to the executed data byte length of one block to the Block Size register.
2. Set the value corresponding to the executed data block count to the Block Count register.
3. Set the value corresponding to the issued command to the Argument register.
4. Set the value to Multi/Single Block Select and Block Count Enable. Set the value corresponding to the issued command to Data Transfer Direction, Auto CMD12 Enable, and DMA Enable.
5. Set the value corresponding to the issued command to the Command register.  
**Note:** When writing the upper byte of the command register, the SD command is issued.
6. Wait for the command complete interrupt.
7. Write a 1 to the Command Complete bit in the Normal Interrupt Status register to clear this bit.
8. Read the Response register and get the necessary information in accordance with the issued command.
9. In the case where this sequence is for writing to a card, go to Step (10-W). In case of read from a card, go to Step (10-R).

(10-W). Wait for a buffer write ready interrupt.

- Non-DMA Write Transfer

On receiving the buffer write ready interrupt the ARM processor acts as a master and starts transferring the data via the Buffer Data Port register (FIFO\_1). The transmitter starts sending the data on the SD bus when a block of data is ready in FIFO\_1. While transmitting the data on the SD bus the buffer write ready interrupt is sent to the ARM processor for the second block of data. The ARM processor acts as a master and starts sending the second block of data via the buffer data port register to FIFO\_2. The buffer write ready interrupt is asserted only when a FIFO is empty and available to receive a block of data.

(11-W). Write a 1 to the Buffer Write Ready bit in the Normal Interrupt Status register to clear this bit.

(12-W). Write a block of data (according to the number of bytes specified in Step (1)) to the Buffer Data Port register.

(13-W). Repeat until all blocks are sent and then go to Step (14).

- Non-DMA Read Transfer

A buffer read ready interrupt is asserted whenever a block of data is ready in one of the FIFOs. On receiving the buffer read ready interrupt, the ARM processor acts as a master and starts reading the data via the Buffer Data Port register (FIFO\_1). The receiver starts reading the data from the SD bus only when a FIFO is empty and available to receive a block of data. When both of the FIFOs are full the host controller stops the data coming from the card by means of a read wait mechanism (if the card supports read wait) or through clock stopping.

(10-R). Wait for a buffer read ready interrupt

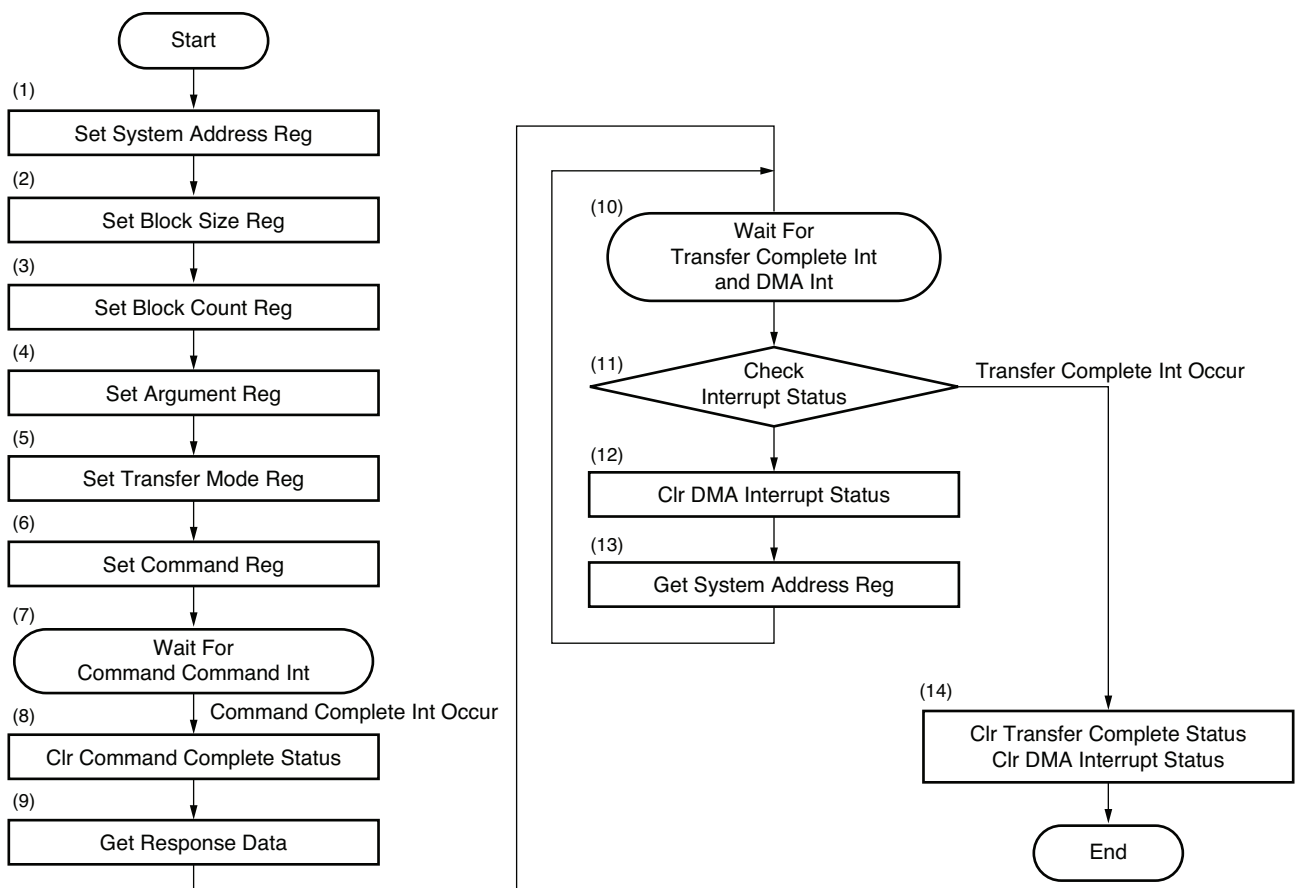
(11-R). Write a 1 to the Buffer Read Ready bit in the Normal Interrupt Status register to clear this bit.

- (12-R). Read a block of data (according to the number of bytes specified in Step (1)) from the Buffer Data Port register.
- (13-R). Repeat until all blocks are received and then go to Step (14).
- 14. If this sequence is for a single or multiple block transfer, go to Step (15). In case of an infinite block transfer, go to Step (17).
- 10. Wait for a transfer complete interrupt.
- 11. Write a 1 to the Transfer Complete bit in the Normal Interrupt Status register to clear this bit.
- 12. Perform the sequence for abort transaction.

**Note:** Step (1) and Step (2) can be executed at same time. Step (4) and Step (5) can be executed at same time.

### 13.3.3 Using DMA

Figure 13-4 shows data transfers using DMA.



UG585\_c13\_04\_031812

Figure 13-4: SDIO Controller Data Transfer Using DMA

Burst types such as an 8-beat incrementing burst or a 4-beat incrementing burst, or a single transfer is used to transfer or receive the data from the system memory mainly to avoid the hold of the AHB bus by the master for a longer time.

The sequence for using DMA is as follows:

1. Set the system address for DMA in the System Address register.
2. Set the value corresponding to the executed data byte length of one block in the Block Size register.
3. Set the value corresponding to the executed data block count in the Block Count register.
4. Set the value corresponding to the issued command to the Argument register.
5. Set the value to Multi/Single Block Select and Block Count Enable. Set the value corresponding to the issued command to Data Transfer Direction, Auto CMD12 Enable, and DMA Enable.
6. Set the value corresponding to the issued command to the Command register.

**Note:** When writing to the upper byte of the Command register, the SD command is issued.

7. Wait for the command complete interrupt.
8. Write a 1 to the Command Complete in the Normal Interrupt Status register for clearing this bit.
9. Read the Response register and get the necessary information in accordance with the issued command.

- DMA Read Transfer

On receiving the Response End Bit from the card for the write command (data is flowing from the host to the card) the SD host controller acts as the master and requests the AHB bus. After receiving the grant the host controller starts reading a block of data from system memory and fills the first half of the FIFO. Whenever a block of data is ready the transmitter starts sending the data on the SD bus.

While transmitting the data on the SD bus the host controller requests the bus to fill the second block in the second half of the FIFO. "Ping Pong" FIFOs are used to increase the throughput. Similarly, the host controller reads a block of data from system memory whenever a FIFO is empty. This continues until all of the blocks are read from system memory. A transfer complete interrupt is set only after transferring all of the blocks of data to the card.

- DMA Write Transfer

The block of data received from the card (data is flowing from the card to the host) is stored in the first half of the FIFO. Whenever a block of data is ready the SD host controller acts as the master and request the AHB bus. After receiving the grant the host controller starts writing a block of data into system memory from the first half of the FIFO.

While transmitting data into system memory the host controller receives the second block of data and stores it in the second half of the FIFO. Similarly the host controller writes a block of data into system memory whenever data is ready. This continues until all of the blocks are transferred to system memory. A transfer complete interrupt is set only after transferring all of the blocks of data into system memory.

**Note:** The host controller receives a block of data from the card only when it has room to store a block of data in the FIFO. When both FIFOs are full the host controller stops the data coming from the card through a "read wait" mechanism (if the card supports read wait) or through clock stopping.

10. Wait for the transfer complete interrupt and DMA interrupt.
11. If Transfer Complete is set to 1, go to Step (14). If DMA Interrupt is set to 1 go to Step (12). Transfer Complete has a higher priority than DMA Interrupt.
12. Write a 1 to the DMA Interrupt bit in the Normal Interrupt Status register to clear this bit.
13. Set the next system address of the next data position to the System Address register and go to Step (10).
14. Write a 1 to the Transfer Complete and DMA Interrupt in the Normal Interrupt Status register to clear this bit.

**Note:** Step (2) and Step (3) can be executed at same time. Step (5) and Step (6) can also be executed at same time.

For example, if the host wants to transfer 4 KB of data to the card and assuming the maximum block size is 256 bytes, the host driver programs the Block Size register as 256 and Block Count register with the value 16. The AHB master and transmitter residing inside the SD2.0/SDIO2.0 host controller get the information (how much data to transfer) from these registers. Using the above information, the AHB master acts as a master and initiates a data read transaction (to read a block of data — 256 bytes from the system memory).

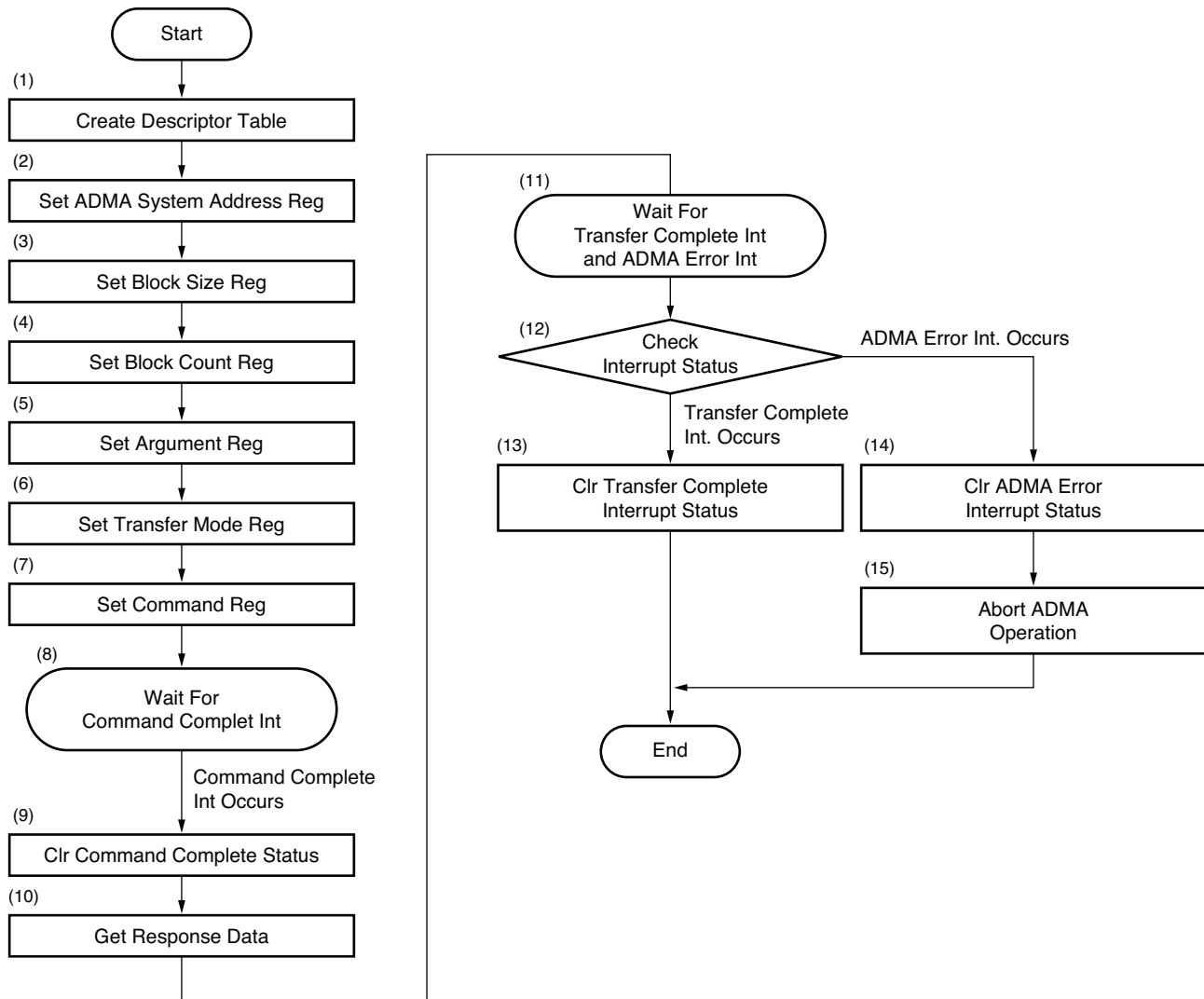
The following types of burst are used mainly to avoid hold of the AHB bus by the master for a longer time.

- Single transfer
- 4-beat incrementing burst
- 8-beat incrementing burst

The first block of data is received in the first half of the FIFO and the second block in the second half of the FIFO. Similarly, the remaining blocks are received in alternate FIFOs. Whenever a block of data is ready in FIFO, the transmitter starts transmitting the block of data (256 bytes) onto the SD bus. After transmitting the entire block of data to the card, the transmitter waits for a status response from the card. Transmitter sends the next block of data only when it receives a good status response from the card for the previous block of data, otherwise the transaction is aborted and the host goes for a fresh transaction.

## 13.3.4 Using ADMA

Figure 13-5 shows data transfers using ADMA.



UG585\_c13\_05\_031812

Figure 13-5: SDIO Controller Data Transfer Using ADMA

The sequence for using ADMA is as follows

1. Create a descriptor table for ADMA in system memory.
2. Set the descriptor address for ADMA in the ADMA System Address register.
3. Set the value corresponding to the executed data byte length of one block in the Block Size register.
4. Set the value corresponding to the executed data block count in the Block Count register in accordance with SDIO register map.



If the Block Count Enable bit in the Transfer Mode register is set to 1, the total data length can be designated by the Block Count register and the descriptor table. These two parameters shall indicate same data length. However, transfer length is limited by the 16-bit Block Count register. If the Block Count Enable bit in the Transfer Mode register is set to 0, the total data length is designated not by Block Count register, but the descriptor table. In this case, if the ADMA reads more data than the length programmed in the descriptor from the SD card, the operation is aborted asynchronously and the extra read data is discarded when the ADMA is completed.

5. Set the argument value to the Argument register.
6. Set the value to the Transfer Mode register. The host driver determines Multi/Single Block Select, Block Count Enable, Data Transfer Direction, Auto CMD12 Enable and DMA Enable. Multi/Single Block Select and Block Count Enable are determined according to SDIO register map.
7. Set the value to the Command register.
 

**Note:** When writing to the upper byte [3] of the Command register, the SD command is issued and DMA is started.
8. Wait for the command complete interrupt.
9. Write a 1 to the Command Complete bit in the Normal Interrupt Status register to clear this bit.
10. Read the Response register and get the necessary information from the issued command.
11. Wait for the transfer complete interrupt and ADMA error interrupt.
12. If the Transfer Complete is set to 1, go to Step (13). If the ADMA Error Interrupt is set to 1, go to Step (14).
13. Write a 1 to the Transfer Complete Status bit in the Normal Interrupt Status register to clear this bit.
14. Write a 1 to the ADMA Error Interrupt Status bit in the Error Interrupt Status register to clear this bit.
15. Abort ADMA operation. SD card operation should be stopped by issuing an abort command. If necessary, the host driver checks the ADMA Error Status register to detect why the ADMA error is generated.

**Note:** Step (3) and Step (4) can be executed simultaneously. Step (6) and Step (7) can also be executed simultaneously.

**Note:** During ADMA2 operation, the controller will not generate a DMA interrupt if the INT attribute is set along with NOP, RSVD, or LINK attribute.

### 13.3.5 Abort Transaction

An abort transaction is performed using CMD12 for a SD memory card and by using CMD52 for a SDIO card. There are two cases where the HD needs to do an abort transaction:

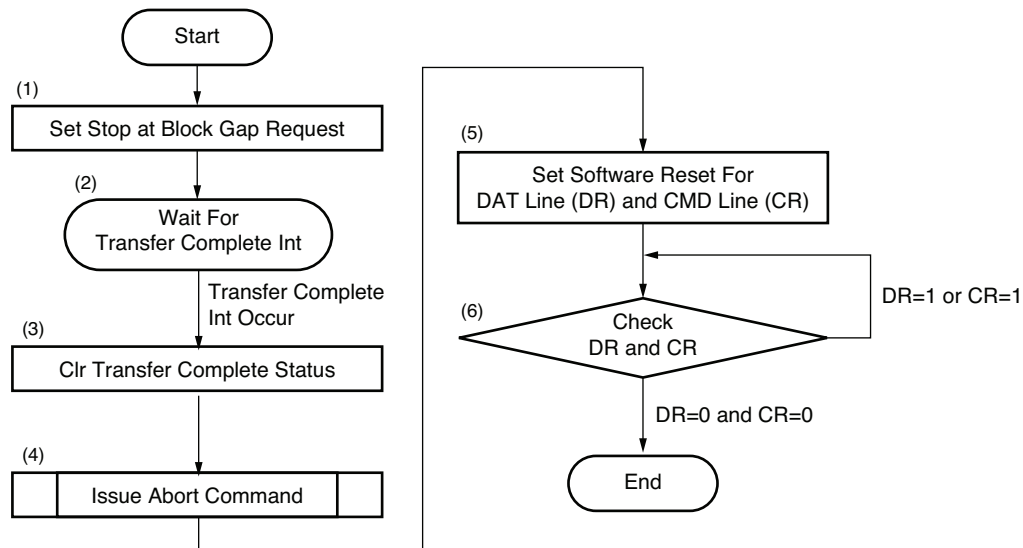
- When the HD stops infinite block transfers.
- When the HD stops transfers while a multiple block transfer is executing.

There are two ways to issue an abort command. The first is an asynchronous abort. The second is a synchronous abort. In an asynchronous abort sequence, the HD can issue an abort command at anytime unless the Command Inhibit (CMD) bit in the Present State register is set to 1. In a synchronous abort, the HD issues an abort command after the data transfer stopped via the Stop At Block Gap Request bit in the Block Gap Control register.

## Synchronous Abort

The following sequence performs a synchronous abort.

1. Set the Stop At Block Gap Request bit in the Block Gap Control register to 1 to stop SD transactions.
2. Wait for a transfer complete interrupt.



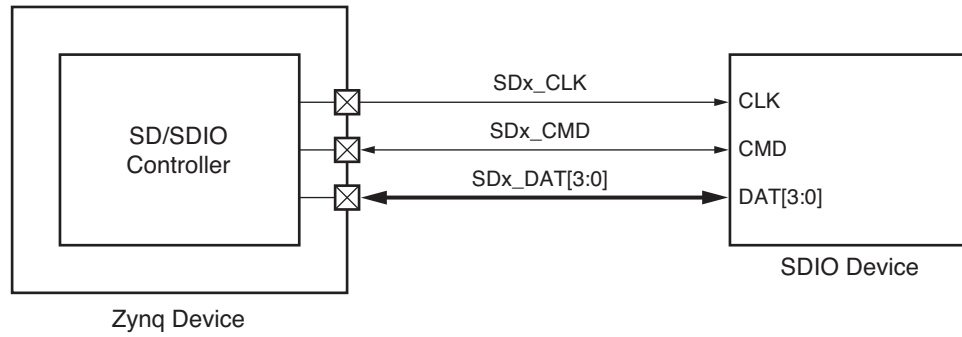
UG585\_c13\_06\_031812

Figure 13-6: SDIO Controller Synchronous Abort Sequence

3. Set the Transfer Complete bit to 1 in the Normal Interrupt Status register to clear this bit.
4. Issue an abort command.
5. Set both the Software Reset for DAT Line and Software Reset for CMD Line bits to 1 in the Software Reset register to do a software reset.
6. Check the Software Reset for DAT Line and Software Reset for CMD Line in the Software Reset register. If both Software Reset for DAT Line and Software Reset for CMD Line are 0, go to "END". If either the Software Reset for DAT Line or the Software Reset for CMD Line is 1, repeat Step (6).

### 13.3.6 External Interface Usage Example

Zynq-7000 devices provide two secure digital (SD) ports that support SD and SDIO devices (see Figure 13-7).



UG595\_c13\_07\_031812

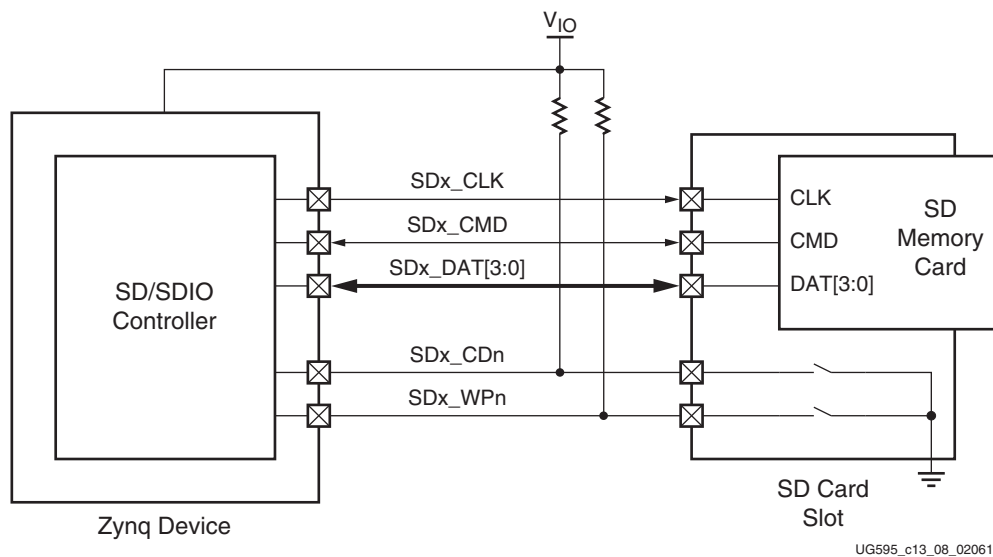
Figure 13-7: SDIO Controller Device Wiring Diagram

### 13.3.7 Supported Configurations

The SD/SDIO controller supports operation in several configurations:

- Secure digital (SD) memory
- Secure digital input/output (SDIO)

Some SD card slots provide two additional pins: card detect (CDn) to signal the insertion or presence of a card and write protect (WPn) to report the position of the write protect switch on memory cards. These pins are usually pulled to GND when a card is detected or the card is write-protected. They need to be pulled up to the MIO I/O voltage with a 50 KΩ resistor (see Figure 13-8).



UG595\_c13\_08\_020613

Figure 13-8: SDIO Controller SD Card Detect and Write Protect Diagram

### 13.3.8 Bus Voltage Translation

The SDIO power pin SDx\_POW can be used to control power to the SDIO slots. Depending on the I/O voltage for the selected MIO bank and the SD/SDIO devices connected to the bus, it might be necessary to use a level translator.

## 13.4 SDIO Controller Media Interface Signals

The SDIO media interface signals are independently routed to the MIO pins or to a set of EMIO interface signals, see [Table 13-1](#). The MIO pins and any restrictions based on device version are shown in the MIO table in section [2.5.4 MIO-at-a-Glance Table](#).

Table 13-1: SDIO Interface Signals

SDIO Interface	Default Controller Input Value	MIO Pin		EMIO Signal	
		Number	I/O	Name	I/O
SDIO 0 Clock	0	16, 28, 40	IO	EMIOSDIO0CLKFB	I
	~			EMIOSDIO0CLK	O
SDIO 0 Command	0	17, 29, 41	IO	EMIOSDIO0CMDI	I
	~			EMIOSDIO0CMDO	O
	~			EMIOSDIO0CMDTN	O
SDIO 0 Data 0	0	18, 30, 42	IO	EMIOSDIO0DATAI0	I
	~			EMIOSDIO0DATAO0	O
	~			EMIOSDIO0DATATN0	O
SDIO 0 Data 1	0	19, 31, 43	IO	EMIOSDIO0DATAI1	I
	~			EMIOSDIO0DATAO1	O
	~			EMIOSDIO0DATATN1	O
SDIO 0 Data 2	0	20, 32, 44	IO	EMIOSDIO0DATAI2	I
	~			EMIOSDIO0DATAO2	O
	~			EMIOSDIO0DATATN2	O
SDIO 0 Data 3	0	21, 33, 45	IO	EMIOSDIO0DATAI3	I
	~			EMIOSDIO0DATAO3	O
	~			EMIOSDIO0DATATN3	O
SDIO 0 Card Detect		Any pin except 7 and 8	I	EMIOSDIO0CDN	I
SDIO 0 Write Protect		Any pin except 7 and 8	I	EMIOSDIO0WVP	I
SDIO 0 Power Control	~	Any even pin	O	EMIOSDIO0BUSPOW	O
SDIO 0 LED Control	~	~	~	EMIOSDIO0LED	O
SDIO 0 Bus Voltage	~	~	~	EMIOSDIO0BUSVOLT[2:0]	O

Table 13-1: SDIO Interface Signals (Cont'd)

SDIO Interface	Default Controller Input Value	MIO Pin		EMIO Signal	
		Number	I/O	Name	I/O
SDIO 1 Clock	0	12, 24, 36, 48	IO	EMIOSDIO1CLKFB	I
	~			EMIOSDIO1CLK	O
SDIO 1 Command	0	11, 23, 35, 47	IO	EMIOSDIO1CMDI	I
	~			EMIOSDIO1CMDO	O
	~			EMIOSDIO1CMDTN	O
SDIO 1 Data 0	0	10, 22, 34, 46	IO	EMIOSDIO1DATAI0	I
	~			EMIOSDIO1DATAO0	O
	~			EMIOSDIO1DATATN0	O
SDIO 1 Data 1	0	13, 25, 37, 49	IO	EMIOSDIO1DATAI1	I
	~			EMIOSDIO1DATAO1	O
	~			EMIOSDIO1DATATN1	O
SDIO 1 Data 2	0	14, 26, 38, 50	IO	EMIOSDIO1DATAI2	I
	~			EMIOSDIO1DATAO2	O
	~			EMIOSDIO1DATATN2	O
SDIO 1 Data 3	0	15, 27, 39, 51	IO	EMIOSDIO1DATAI3	I
	~			EMIOSDIO1DATAO3	O
	~			EMIOSDIO1DATATN3	O
SDIO 1 Card Detect		Any pin except 7 and 8	I	EMIOSDIO1CDN	I
SDIO 1 Write Protect		Any pin except 7 and 8	I	EMIOSDIO1WP	I
SDIO 1 Power Control	~	Any odd pin	O	EMIOSDIO1BUSPOW	O
SDIO 1 LED Control	~	~	~	EMIOSDIO1LED	O
SDIO 1 Bus Voltage	~	~	~	EMIOSDIO1BUSVOLT[2:0]	O

### 13.4.1 SDIO EMIO Considerations

The SDIO interfaces are enabled through the MIO as well as the EMIO interface. They are mutually exclusive in that once the interface is routed through the MIO it no longer is available via the EMIO. If the designer chooses to use the EMIO interface for SDIO due to other MIO priorities, the designer should know that the maximum operating frequency for SDIO via EMIO is limited. The PL connectivity should connect the EMIO signals directly to the SelectIO pins. Additionally, it might be necessary to restrict the SDIO to operate in full or low speed modes, refer to the data sheet for frequency and timing values.

# General Purpose I/O (GPIO)

---

## 14.1 Introduction

The general purpose I/O (GPIO) peripheral provides software with observation and control of up to 54 device pins via the MIO module. It also provides access to 64 inputs from the Programmable Logic (PL) and 128 outputs to the PL through the EMIO interface. The GPIO is organized into four banks of registers that group related interface signals.

Each GPIO is independently and dynamically programmed as input, output, or interrupt sensing. Software can read all GPIO values within a bank using a single load instruction, or write data to one or more GPIOs (within a range of GPIOs) using a single store instruction. The GPIO control and status registers are memory mapped at base address `0xE000_A000`.

### 14.1.1 Features

Key features of the GPIO peripheral are summarized as follows:

- 54 GPIO signals for device pins (routed through the MIO multiplexer)
  - Outputs are 3-state capable
- 192 GPIO signals between the PS and PL via the EMIO interface
  - 64 Inputs, 128 outputs (64 true outputs and 64 output enables)
- The function of each GPIO can be dynamically programmed on an individual or group basis
- Enable, bit or bank data write, output enable and direction controls
- Programmable interrupts on individual GPIO basis
  - Status read of raw and masked interrupt
  - Selectable sensitivity: Level-sensitive (High or Low) or edge-sensitive (positive, negative, or both)

## 14.1.2 Block Diagram

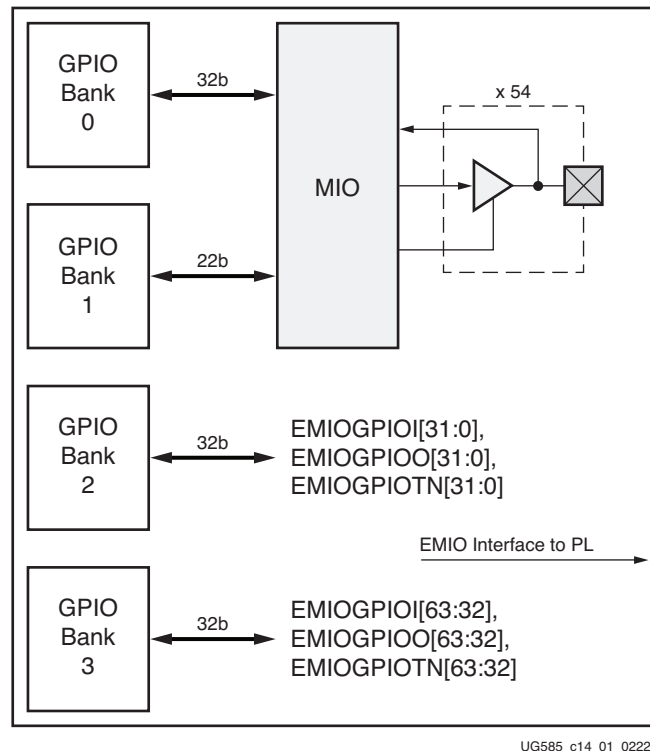


Figure 14-1: GPIO Block Diagram

As shown in Figure 14-1, the GPIO module is divided into four banks:

- Bank0: 32-bit bank controlling MIO pins[31:0]
- Bank1: 22-bit bank controlling MIO pins[53:32]
- **Note:** Bank1 is limited to 22 bits because the MIO has a total of 54 pins.
- Bank2: 32-bit bank controlling EMIO signals[31:0]
- Bank3: 32-bit bank controlling EMIO signals[63:32]

The GPIO is controlled by software through a series of memory-mapped registers. The control for each bank is the same, although there are minor differences between the MIO and EMIO banks due to their differing functionality.

## 14.1.3 Notices

### 7z010 CLG225 Device

The 7z010 CLG225 device reduces the available MIO pins to 32 as shown in the MIO table in section [2.5.4 MIO-at-a-Glance Table](#). Thus, in this device, the only GPIO pins that are available for MIO are 15:0, 39:28, 48, 49, 52, and 53. The other MIO pins are unconnected and should not be used. All EMIO signals are available.

### MIO Considerations

Banks 0 and 1 of the GPIO peripheral module are routed to device pins through the MIO module. Refer to section [2.5 PS-PL MIO-EMIO Signals and Interfaces](#) for a complete description of MIO operation. Primary control of the MIO is achieved through the `slcr.MIO_PIN_xx` registers. Please note the following:

- The user must choose the proper Type of I/O using the `IO_Type`, `PULLUP`, `DisableRcvr`, and `Speed` fields according to the user's system.
- The user must select the GPIO module through the multiplexor control fields `L0_SEL`, `L1_SEL`, `L2_SEL`, and `L3_SEL`. Note that each I/O pin can be individually selected. When an MIO pin is used for an IOP device, it is not available as a GPIO.
- `TRI_ENABLE` should be set to 0. This enables the GPIO to control the 3-state mode of the I/O. If `TRI_ENABLE` is set to 1 in the MIO, then the output driver will be 3-stated regardless of GPIO settings.

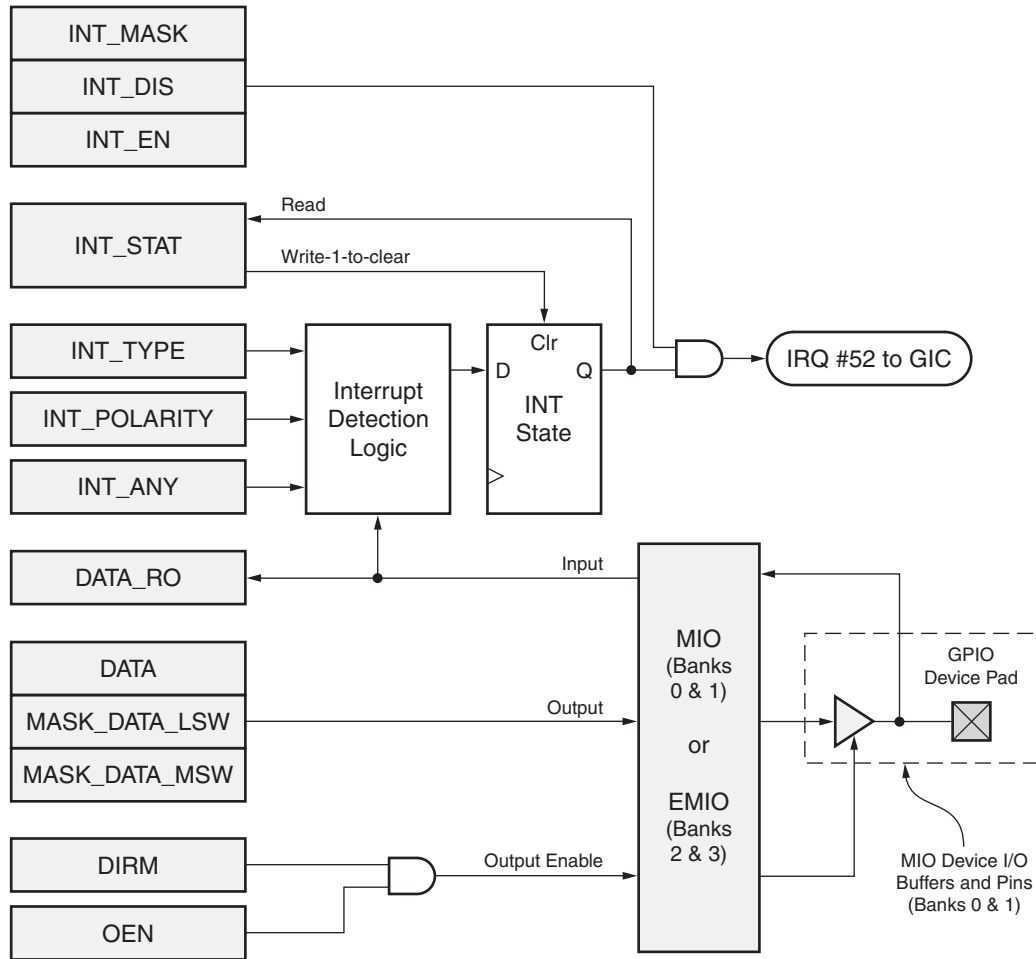
---

## 14.2 Functional Description

### 14.2.1 GPIO Control of Device Pins

This section describes the operation of Bank0 and Bank1 (see [Figure 14-2](#)).





UG585\_c14\_02\_022712

Figure 14-2: GPIO Channel

Software configures the GPIO as either an output or input. The DATA\_RO register always returns the state of the GPIO pin regardless of whether the GPIO is set to input (OE signal false) or output (OE signal true). To generate an output waveform, software repeatedly writes to one or more GPIOs (usually using the MASK\_DATA register).

Applications might need to switch more than one GPIO at the same time (less a small amount of inherent skew time between two I/O buffers). In this case, all of the GPIOs that need to be switched simultaneously must be from the same 16-bit half-bank (i.e., either the most-significant 16 bits or the least-significant 16 bits) of GPIOs to enable the MASK\_DATA register to write to them in one store instruction.

GPIO bank control (for Bank0 and Bank1) is summarized as follows:

- **DATA\_RO:** This register enables software to observe the value on the device pin. If the GPIO signal is configured as an output, then this would normally reflect the value being driven on the output. Writes to this register are ignored.

**Note:** If the MIO is not configured to enable this pin as a GPIO pin, then DATA\_RO is unpredictable because software cannot observe values on non-GPIO pins through the GPIO registers.

- **DATA:** This register controls the value to be output when the GPIO signal is configured as an output. All 32 bits of this register are written at one time. Reading from this register returns the previous value written to either DATA or MASK\_DATA\_{LSW,MSW}; it does not return the current value on the device pin.
- **MASK\_DATA\_LSW:** This register enables more selective changes to the desired output value. Any combination of up to 16 bits can be written. Those bits that are not written are unchanged and hold their previous value. Reading from this register returns the previous value written to either DATA or MASK\_DATA\_{LSW,MSW}; it does not return the current value on the device pin. This register avoids the need for a read-modify-write sequence for unchanged bits.
- **MASK\_DATA\_MSW:** This register is the same as MASK\_DATA\_LSW, except it controls the upper 16 bits of the bank.
- **DIRM:** Direction Mode. This controls whether the I/O pin is acting as an input or an output. Since the input logic is always enabled, this effectively enables/disables the output driver. When DIRM[x]=0, the output driver is disabled.
- **OEN:** Output Enable. When the I/O is configured as an output, this controls whether the output is enabled or not. When the output is disabled, the pin is 3-stated. When OEN[x]=0, the output driver is disabled.

**Note:** If MIO TRI\_ENABLE is set to 1, enabling 3-state and disabling the driver, then OEN is ignored and the output is 3-stated.

## 14.2.2 EMIO Signals

This section describes the operation of Bank2 and Bank3 (see [Figure 14-2](#)).

The register interface for the EMIO banks is the same as for the MIO banks described in the previous section. However, the EMIO interface is simply wires between the PS and the PL, so there are a few differences:

- The inputs are wires from the PL and are unrelated to the output values or the OEN register. They can be read from the DATA\_RO register when DIRM is set to 0, making it an input.
- The output wires are not 3-state capable, so they are unaffected by OEN. The value to be output is programmed using the DATA, MASK\_DATA\_LSW, and MASK\_DATA\_MSW registers. DIRM *must* be set to 1, making it an output.
- The output enable wires are simply outputs from the PS. These are controlled by the DIRM/OEN registers as follows:  $EMIOGPIO_TN[x] = DIRM[x] \& OEN[x]$

The EMIO I/Os are not connected to the MIO I/Os in any way. The EMIO inputs cannot be connected to the MIO outputs and the MIO inputs cannot be connected to the EMIO outputs. Each bank is independent and can only be used as software observable/controllable signals.

## 14.2.3 Bank0, Bits[8:7] are Outputs

GPIO bits[8:7] of Bank0 correspond to package pins that are used to control the voltage mode of the I/O buffers themselves during reset. Therefore, they must be driven by the external system according to the proper voltage mode. To prevent them from being driven by other system logic, they cannot be used as general purpose inputs.

These bits can be used as general purpose outputs since the output is disabled at reset. The system can start using these as outputs after the voltage mode has been read during system boot.

## 14.2.4 Interrupt Function

The interrupt detection logic monitors the GPIO input signal. The interrupt trigger can be a positive edge, negative edge, either edge, Low-level or High-level. The trigger sensitivity is programmed using the INT\_TYPE, INT\_POLARITY and INT\_ANY registers.

If an interrupt is detected, the GPIO's INT\_STAT state is set true by the interrupt detection logic. If the INT\_STAT state is enabled (unmasked), then the interrupt propagates through to a large OR function. This function combines all interrupts for all GPIOs in all four banks to one output (IRQ ID#52) to the interrupt controller. If the interrupt is disabled (masked), then the INT\_STAT state is maintained until cleared, but it does not propagate to the interrupt controller unless the INT\_EN is later written to disable the mask. As all GPIOs share the same interrupt, software must consider both INT\_MASK and INT\_STAT to determine which GPIO is causing an interrupt.

The interrupt mask state is controlled by writing a 1 to the INT\_EN and INT\_DIS registers. Writing a 1 to the INT\_EN register disables the mask allowing an active interrupt to propagate to the interrupt controller. Writing a 1 to the INT\_DIS register enables the mask. The state of the interrupt mask can be read using the INT\_MASK register.

If the GPIO interrupt is edge sensitive, then the INT state is latched by the detection logic. The INT latch is cleared by writing a 1 to the INT\_STAT register. For level-sensitive interrupts, the source of the interrupt input to the GPIO must be cleared in order to clear the interrupt signal. Alternatively, software can mask that input using the INT\_DIS register.

The state of the interrupt signal going to the interrupt controller can be inferred by reading the INT\_STAT and INT\_MASK registers. This interrupt signal is asserted if INT\_STAT=1 and INT\_MASK=0.

GPIO bank control is summarized as follows:

- **INT\_MASK:** This register is read-only and shows which bits are currently masked and which are un-masked/enabled.
- **INT\_EN:** Writing a 1 to any bit of this register enables/unmasks that signal for interrupts. Reading from this register returns an unpredictable value.
- **INT\_DIS:** Writing a 1 to any bit of this register masks that signal for interrupts. Reading from this register returns an unpredictable value.
- **INT\_STAT:** This registers shows if an interrupt event has occurred or not. Writing a 1 to a bit in this register clears the interrupt status for that bit. Writing a 0 to a bit in this register is ignored.
- **INT\_TYPE:** This register controls whether the interrupt is edge sensitive or level sensitive.
- **INT\_POLARITY:** This register controls whether the interrupt is active-Low or active High (or falling-edge sensitive or rising-edge sensitive).
- **INT\_ON\_ANY:** If INT\_TYPE is set to edge sensitive, then this register enables an interrupt event on both rising and falling edges. This register is ignored if INT\_TYPE is set to level sensitive.

Table 14-1: GPIO Interrupt Trigger Settings

Type	gpio.INT_TYPE_0	gpio.INT_POLARITY_0	gpio.INT_ANY_0
Rising edge-sensitive	1	1	0
Falling edge-sensitive	1	0	0
Both rising- and falling edge-sensitive	1	X	1
Level sensitive, asserted High	0	1	X
Level sensitive, asserted Low	0	0	X

## 14.3 Programming Guide

The GPIO Controller has four banks, two each for MIO and EMIO. Each GPIO pin can be programmed individually. Multiple pins can be programmed with a single write as described in section [14.2.1 GPIO Control of Device Pins](#).

### 14.3.1 Start-up Sequence

#### Main Example: Start-up Sequence

1. **Resets:** The reset options are described in section [14.4.2 Resets](#).
2. **Clocks:** The clocks are described in section [14.4.1 Clocks](#).
3. **GPIO Pin Configurations:** Configure pin as input/output is described in section [14.3.2 GPIO Pin Configurations](#).
4. **Write Data to GPIO Output pin:** Refer to example in section [14.3.3 Writing Data to GPIO Output Pins](#).
5. **Read Data from GPIO Input pin:** Refer to example in section [14.3.4 Reading Data from GPIO Input Pins](#).
6. **Set GPIO pin as wake-up event:** Refer to example in section [GPIO as Wake-up Event](#).

### 14.3.2 GPIO Pin Configurations

Each individual GPIO pin can be configured as input/output. However, bank0 [8:7] pins must be configured as outputs. Refer to section [14.2.3 Bank0, Bits\[8:7\] are Outputs](#) for further details.

#### Example: Configure MIO pin 10 as an output

1. **Set the direction as output:** Write 0x0000\_0400 to the gpio.DIRM\_0 register.
2. **Set the output enable:** Write 0x0000\_0400 to the gpio.OEN\_0 register.

**Note:** The output enable has significance only when the GPIO pin is configured as an output.

**Example: Configure MIO pin 10 as an input**

1. **Set the direction as input:** Write `0x0` to the `gpio.DIRM_0` register. This sets `gpio.DIRM_0[10] = 0`.

### 14.3.3 Writing Data to GPIO Output Pins

For GPIO pins configured as outputs, there are two options to program the desired value.

**Option 1:** Read, modify, and update the GPIO pin using the `gpio.DATA_0` register.

**Example:** Set GPIO output pin 10 using the `DATA_0` register.

1. **Read the `gpio.DATA_0` register:** Read `gpio.DATA_0` register to the `reg_val` variable.
2. **Modify the value:** Set `reg_val [10] = 1`.
3. **Write updated value to output pin:** Write `reg_val` to the `gpio.DATA_0` register.

**Option 2:** Use the `MASK_DATA_x_MSW/LSW` registers to update one or more GPIO pins.

**Example:** Set output pins 20, 25, and 30 to 1 using the `MASK_DATA_0_MSW` register.

1. **Generate the mask value for pins 20, 25, and 30:** To drive pins 20, 25 and 30, `0xBDEF` is the mask value for `gpio.MASK_DATA_0_MSW [MASK_0_MSW]`.
2. **Generate the data value for pins 20, 25, 30:** To drive 1 on pins 20, 25, and 30, `0x4210` is the data value for `gpio.MASK_DATA_0_MSW [DATA_0_MSW]`.
3. **Write the mask and data to the `MASK_DATA_x_MSW` register:** Write `0xBDEF_4210` to the `gpio.MASK_DATA_0_MSW` register.

### 14.3.4 Reading Data from GPIO Input Pins

For GPIO pins configured as inputs, there are two options to monitor the input.

**Option 1:** Use the `gpio.DATA_RO_x` register of each bank.

**Example:** Read the state of all GPIO input pins in bank 0 using the `DATA_RO_0` register.

1. **Read Input Bank 0:** Read the `gpio.DATA_0` register.

**Option 2:** Use interrupt logic on input pins (refer to section [14.2.4 Interrupt Function](#)).

**Example:** Configure MIO pin 12 to be triggered as rising edge.

1. **Set the trigger as a rising edge:** Write 1 to `gpio.INT_TYPE_0 [12]`. Write 1 to `gpio.INT_POLARITY_0 [12]`. Write 0 to `gpio.INT_ANY_0 [12]`.
2. **Enable interrupt:** Write 1 to `gpio.INT_EN_0 [12]`.
3. **Status of Input pin:** `gpio.INT_STAT_0 [12] = 1` implies that an interrupt event occurred.
4. **Disable interrupt:** Write 1 to `gpio.INT_DIS_0 [12]`.

### 14.3.5 GPIO as Wake-up Event

The GPIO can be configured as a wake-up device.



**IMPORTANT:** *The GIC must be set up correctly.*

1. Enable the GPIO interrupt in the GIC.
2. Enable the GPIO interrupt for the wanted pin(s) using the gpio.INT\_EN\_{0..3} register. Set 1 to gpio.INT\_EN\_0[10] to enable the GPIO10 interrupt.
3. Do not turn off any GPIO related clocks.

### 14.3.6 Register Overview

An overview of the GPIO registers is shown in [Table 14-2](#) (also refer to section [14.2.1 GPIO Control of Device Pins](#)). Details of registers are provided in [Appendix B, Register Details](#).

Table 14-2: GPIO Register Overview

Function	Register Name	Overview	Type
<b>Data Reads and Data Writes</b>	gpio.MASK_DATA_{3:0}_{MSW,LSW}	Bit masked data output writes.	Mixed
	gpio.DATA_{3:0}	32-bit data output write	R/W
	gpio.DATA_{3:0}_RO	32-bit data read of inputs	RO
<b>I/O Buffer Control</b>	gpio.DIRM_{3:0}	Direction	R/W
	gpio.OEN_{3:0}	Output Enable	R/W
<b>Interrupt Controls</b>	gpio.INT_MASK_{3:0}	Interrupt Mask	RO
	gpio.INT_EN_{3:0}	Interrupt Enable	WO
	gpio.INT_DIS_{3:0}	Interrupt Disable	WO
	gpio.INT_STAT_{3:0}	Interrupt Status	WTC
	gpio.INT_TYPE_{3:0}	Interrupt Type	RW
	gpio.INT_POLARITY_{3:0}	Interrupt Polarity	RW
	gpio.INT_ANY_{3:0}	Interrupt Any	RW

## 14.4 System Functions

The controller clocks and resets are described in this section. All of the interrupts generated in the GPIO controller are routed to IRQ 52. The GPIO I/O signals are routed to either the MIO or EMIO.

## 14.4.1 Clocks

The controller is clocked by the CPU\_1x clock from the APB interface. All outputs and input sampling is done using the CPU\_1x clock.

For power management, clock gating can be employed on the GPIO controller clock using `slcr.APER_CLK_CTRL[GPIO_CPU_1XCLKACT]`.

## 14.4.2 Resets

The controller is reset by the `slcr.GPIO_RST_CTRL [GPIO_CPU1X_RST]` bit. Refer to [Chapter 26, Reset System](#), for more information. This reset only affects the bus interface, not the controller logic itself.

## 14.4.3 Interrupts

The controller interrupts are explained in section [14.2.4 Interrupt Function](#). The controller asserts IRQ # 52 to the GIC. A programming example is described in section [14.3.4 Reading Data from GPIO Input Pins](#).

---

# 14.5 I/O Interface

## 14.5.1 MIO Programming

Bank 0 and Bank 1 pins are routed through the MIO. These pins can be configured as GPIO using the `slcr.MIO_PIN_XX` register.

### Example: Configure MIO pin 6 as a GPIO signal

1. Select MIO pin as GPIO: Set `L0_SEL, L1_SEL, L2_SEL, L3_SEL = 0`.
2. Set `TRI_ENABLE = 0`.
3. LVCMOS18 (refer to the register definition for other voltage options).
4. Slow CMOS edge.
5. Enable internal pull-up resistor.
6. Disable HSTL receiver.

**Note:** If `TRI_ENABLE=1`, then the output is 3-stated regardless of any GPIO settings. If `TRI_ENABLE=0`, then 3-state is controlled by the `gpio.OEN_x` register.

# USB Host, Device, and OTG Controller

---

## 15.1 Introduction

The USB controller is capable of fulfilling a wide range of applications for USB 2.0 implementations as a host, a device, or On-the-Go. Two identical controllers are in the Zynq-7000 device. Each controller is configured and controlled independently. The USB controller I/O uses the ULPI protocol to connect external ULPI PHY via the MIO pins. The ULPI interface provides an 8-bit parallel SDR data path from the controller's internal UTMI-like bus to the PHY. The ULPI interface minimizes device pin count and is controlled by a 60 MHz clock output from the PHY.

USB is a cable bus that supports data exchange between a host device and a wide range of computer peripherals. The attached peripherals share USB bandwidth through a host-scheduled, token-based protocol. The bus allows peripherals to be attached, configured, used, and detached while the host and other peripherals remain operational.

The USB controller in USB 2.0 Host compatible with the EHCI specification with some enhancements and minor deviations. The OTG operating mode software switches the controller between Idle and either Device or Host mode as needed by the application using the Host Negotiation Protocol (HNP) and Session Request Protocol (SRP).

The controller is designed to make efficient use of the system resources in an SoC design. The DMA engine is responsible for moving USB transaction data between the Rx/Tx FIFOs and system memory. The FIFOs are used to buffer the high-speed USB data rates with periodic delays associated with the PS Interconnect data transfers.

The EHCI-compatible host controller is a schedule driven environment for data transfers of periodic (interrupt and isochronous) and asynchronous (control and bulk) types. Device mode includes a simple pair of descriptors to respond to USB data transfers in a timely manner between the software and USB.

The transfer descriptors of the host schedules and device endpoints control the DMA engine to move data between the 32-bit AHB master system bus interface and the Rx and Tx data FIFOs that respond in real-time to the USB.

The controller makes strategic use of software for tasks that do not require time-critical responses. This approach reduces the amount of hardware logic. At the same time, the controller includes hardware assistance logic to enable the controller to respond quickly to USB events and simplify the software.



## 15.1.1 Features

The USB controller has the following key features:

- USB 2.0 High Speed Host controller (480 Mb/s).
  - Intel® EHCI software programming model.
- USB 2.0 HS and FS Device controller.
  - Up to 12 Endpoint: Control Endpoint plus 11 configurable Endpoints
- USB 1.1 legacy FS/LS.
  - Embedded Transaction Translator to support FS/LS in Host mode.
- On-the-Go, OTG 1.3 supplement.
  - Host Negotiation Protocol (HNP).
  - Session Request Protocol (SRP).
- All USB Transaction types
  - Control, Bulk, Interrupt, Isochronous
- Local DMA Engine.
  - AHB Bus Master.
  - Transfers data between system memory and controller FIFOs.
  - Processes transfer descriptors for Device Endpoints and Host Schedules.
- Protocol Engine
  - Interprets USB packets
  - Responds in real-time based on controller status
- Port/Transceiver Controller
  - 8-bit parallel data pass-thru bus
- ULPI Link Wrapper
  - Translates Rx and Tx transfers between ULPI I/O interface and a UTMI-like interface.
  - Bridge between the protocol engine and the ULPI interface.
  - Rx and Tx commands
- ULPI I/O interface
  - 8-bit SDR data plus clock, direction, next, stop signals.
  - 12 ULPI PHY signals via MIO pins.
  - Clocked by PHY in Clock-out mode.
  - Viewport access to ULPI PHY registers
- Host port indicator, power select and power fail indicator signals.
  - 4 signals per controller via EMIO.

## 15.1.2 Operating Modes

The USB controller can operate in the modes shown in [Figure 15-1](#).

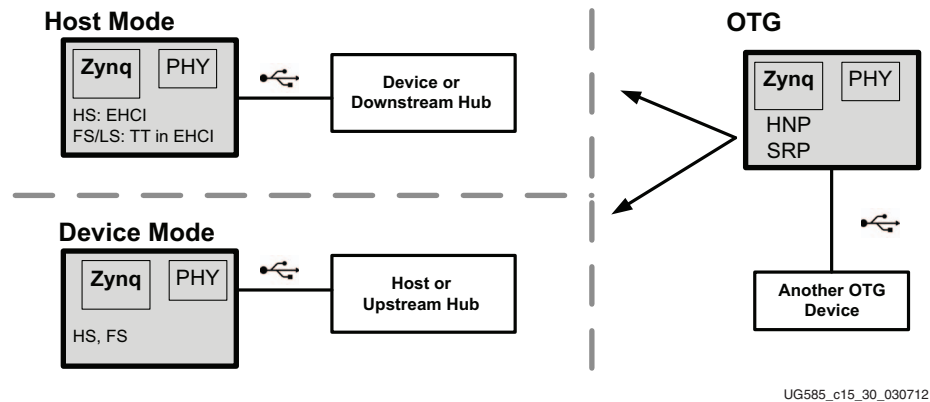


Figure 15-1: USB Controller Operating Modes

**Host mode.** In host mode, the software includes driver-layer programming to discover and enumerate the bus, manage PHY operations, and setup the periodic and asynchronous schedules of transfer descriptors.

- EHCI software model except as described in section [15.11 EHCI Implementation](#).

**Device mode.** In device mode, the controller responds to host commands. Software can include driver-layer programming to respond, as a single- or multi-function device, to the upstream commands.

**On-the-Go.** The OTG software switches between Host and Device modes based on the Host Negotiated Protocol (HNP) and the Session Request Protocol (SRP). Once the controller is in device or host mode, it has all the functionality of the selected mode.

## 15.1.3 Hardware System Viewpoint

The USB controllers are integrated into the PS IOP to bridge between the PS interconnect and an external ULPI PHY. The controller's registers are memory mapped and the local DMA engine initiates reads and writes to system memory. The ULPI signals flow through the MIO. There are sideband signals (port indicators and power controls) that flow through the EMIO interface where they are normally routed to PL SelectIO pins. The system-level viewpoint is shown in [Figure 15-2](#).

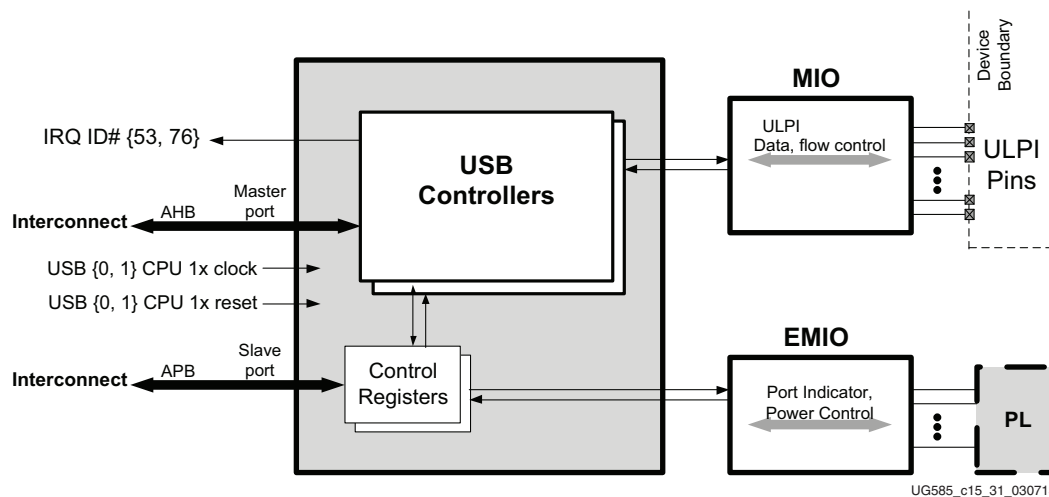


Figure 15-2: USB Hardware System Block Diagram

The two independent USB controllers have individual control and status registers. Each ULPI interface is independently enabled through the MIO. There are separate port indicator and power signals for each controller that are routed through the EMIO. The system functions are further described in section [15.15 System Functions](#).

## System Interfaces

Each controller is an AHB bus master to the PS interconnect for DMA transfers. The control and status registers are accessed via the controller's APB slave interface. Each controller has its own reset input from the PS reset module and interrupt output to the interrupt controller, GIC. There is a ULPI clock input for each controller and a CPU\_1x clock for the AMBA AHB and APB interfaces. Details are in section [15.15 System Functions](#).

## ULPI I/O signals

The I/O signals are described in section [15.16 I/O Interfaces](#). The MIO pin muxing scheme is described, in general terms, in section [2.5 PS-PL MIO-EMIO Signals and Interfaces](#).

## I/O Wiring

The ULPI interface on the MIO pins is an 8-bit SDR data bus that is augmented with port indicators and power control signals routed through the EMIO interface to the PL. The PS GPIO module, [Chapter 14, General Purpose I/O \(GPIO\)](#), can provide a PHY reset signal to the PHY.

An I/O wiring diagram is shown in [Figure 15-19 USB I/O Signal and PHY Wiring Diagram, page 461](#). Here is a summary of the I/O signals:

- **ULPI via MIO.** The controller interfaces to the external ULPI PHY via 12 MIO pins: 8 data I/Os, direction input, control input, clock input and a stop output.
- **GPIO.** A PS GPIO signal can be used to reset the external PHY.

- **Port Indicator and Power Pins via EMIO.** The USB port indicator outputs, power select output, and power fault input signals are routed through the EMIO to the SelectIO pins in the PL and external board logic.

## 15.1.4 Controller Block Diagram

The controller interfaces to the PS system memory on one side and an external ULPI PHY device on the USB side. A block diagram is shown in [Figure 15-3](#). A detailed functional block is shown in section [15.1.9 Notices](#).

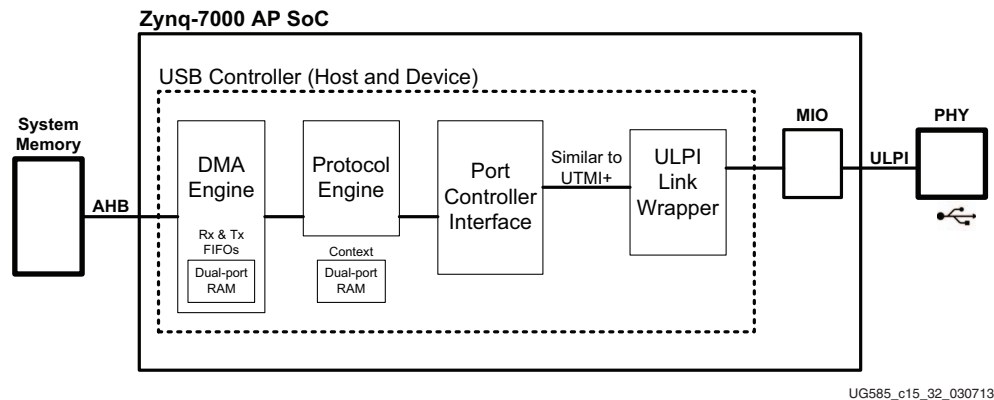


Figure 15-3: USB Controller Block Diagram

### System Memory

The PS system memory is accessible to the DMA engine that holds transfer descriptors and data buffers. The system memory can be DDR, OCM and memory that is mapped in the PL. The system memory map is shown in section [4.1 Address Map](#). In this table, the USB controller is one of the “Other Bus Masters,” refer to the table footnotes.

### DMA, Protocol Engines, Context and FIFOs

The DMA engine works with the Protocol engine to process endpoints, periodic elements, queue heads, and other transfer descriptors. Software writes these data structures into the system memory. The DMA engine fetches these data structures and copies them into the controller’s local dual-ported RAM (DPRAM). The controller reads and writes the data structures in the DPRAM as the data structures are processed. The descriptors are written back to memory by the DMA engine when a transfer is complete.

In addition to the context information of the data structures, the dual-port RAM is also used by the controller to implement Rx and Tx data FIFOs. These FIFOs decouple the system processor memory bus transfers from the real-time requirements of the USB.

The use of the FIFOs differs between host and device mode operation. In Host mode, a single data channel is maintained in each direction through the dual-port RAM. In Device mode, multiple FIFO channels are maintained for each of the active device endpoints and their direction(s).

## Port Transceiver Controller

The port transceiver controller provides suspend/resume and, for device mode, chirp control functions. The port transceiver controller is fairly simple because the 8-bit data bus of the protocol engine is passed-through to the 8-bit ULPI and the entire back-end of the USB controller works synchronously to the 60 MHz USB clock from the PHY.

## ULPI Link Wrapper

The protocol engine includes an internal bus that is similar to UTMI+. The ULPI wrapper provides a bridge between this bus similar to UTMI+ and the ULPI interface. This is transparent to the user. The ULPI Link wrapper passes-through packet data and interprets Rx commands as well as send Tx commands.

## ULPI Rx/Tx Commands

The ULPI Rx commands are initiated by the PHY to set status bits to give software visibility to PHY events. The commands set controller status bits. The Tx commands are initiated by register writes by software to control PHY functions. These commands are defined by the ULPI specification.

## ULPI PHY Viewport

The ULPI viewport provides a mechanism for software to read and write PHY registers with explicit control of the address and data using the `usb.VIEWPORT` register. An interrupt is generated when a transaction is complete, including when the requested read data is available.

## Programmable Timers

There are two independent general-purpose timers that can be used to generate a timeout or to measure time related activities. The programmable timers should not be confused with the controller's interval timers which are used by the controller to generate frame and microframe intervals and to generate strobes for the host controller scheduler. The programmable timers are described in section [15.2.6 General Purpose Timers](#).

## Software Programming Interface

In addition to maintaining data and buffer structures in system memory, the software reads and writes the control and status registers. The CPU environment that executes the software is described in [Chapter 15, USB Host, Device, and OTG Controller](#). The controller can generate interrupts cause by the DMA and Protocol engine activities, the PHY, and other controller functions. The interrupts are summarized in [Table 15-2 USB Interrupt and Status Register Bits](#).

The system will include either a Host Controller Driver (HCD) or a Device Controller Driver (DCD). There may be additional of software to support the OTG functions.

## Control and Status Registers

The control and status registers include constants, configuration and operational/status for EHCI compatibility (Host mode) and non-EHCI functions (Device, OTG and enhanced Host mode). The registers are summarized in section [15.3.4 Register Overview](#).

## Clocks

The ULPI interface and Protocol engine are clocked by the 60 MHz input on the ULPI interface (PHY clock output). The AHB interface is clocked by the CPU\_1x clock. The clock domain crossing between the CPU\_1x clock and the 60 MHz ULPI PHY clock for the Protocol engine is at the dual-port RAM.

## Resets

There are several different types of resets associated with the USB controller, these are further discussed in section [15.15.2 Reset Types](#).

- Controller Resets
  - PS Reset System (full controller reset),
  - usb.USBCMD [RST] bit (partial controller reset useful for OTG).
- ULPI PHY reset (output from PS GPIO).
- USB Bus Resets
  - Auto-Reset feature in OTG mode.
  - USB reset control transfer.

### 15.1.5 Configuration, Control and Status

Software manages the controller itself (configuration and control) and a consistent set of data structures and memory buffers for USB transactions. There are two data structure models (host and data) and three controller modes (host, device, and OTG). OTG uses either the host or device mode.

The controller registers are outlined in [Table 15-1 USB Controller Register Overview](#).

### 15.1.6 Data Structures

The controller processes descriptors to facilitate FS/LS and HS USB operations. Device and host modes use descriptors in very different ways. The models are illustrated in [Figure 15-4](#).

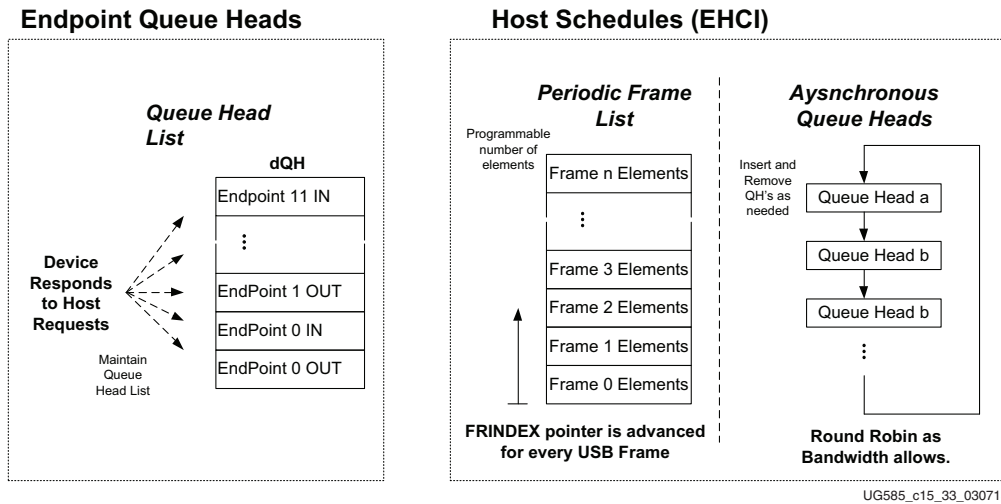


Figure 15-4: USB Endpoint Descriptors (device mode) and Schedules (host mode)

## Device Mode

As requested by the host, the Device Controller Driver (DCD) sets up descriptors for endpoints and manages the real-time needs of the endpoints. The high-speed data transfers between memory and ULPI are managed by the controller using queue heads and transfer descriptors. The results of each transfer is reviewed by DCD to take appropriate action.

**Device Endpoints.** The device controller includes a simple descriptor model to enable the controller to quickly respond to host requests. Each of the 12 endpoints has two device Queue Heads (dQH); one for IN and the other for OUT transfer types. There are a total of 24 device dQH's. An endpoint data transfer is defined with one dQH and one or more linked list of device Transfer Descriptors (dTD). An example is shown in [Figure 15-13](#).

## Host Mode

**Host Schedules.** The Host Controller Driver (HCD) maintains two types of transaction schedules to generate USB traffic: periodic (isochronous/interrupt) and asynchronous (bulk/control).

- The Periodic schedule is a list of high to low priority-order periodic transfers. An element in the periodic frame list is executed at the start of every frame (SOF). The list includes elements that indicate when to execute (periodic interval) and what to execute. An example is shown in [Figure 15-15](#).
- The asynchronous schedule is a circular loop of Queue Heads that point to transfer descriptors that are processed in a round-robin priority. Within each microframe, the asynchronous schedule is executed after the periodic schedule is finished. An example is shown in [Figure 15-16](#).

## Link-list Concept

The host and device controllers use link-list descriptors to manage transfers to and from memory buffers. The concept is shown in [Figure 15-5](#). The first Transfer Descriptors (TD) is pointed to by a

Queue Head (QH). Each dTD can point to another dTD (using next dTD pointer) or terminate the linked list by setting its (T) bit = 1.

The controller maintains a local, working copy of the dQH that it overlays with the one or more dTDs as the transaction request is processed. After each dTD transfer is complete, the dTD overlay is written back to the system memory with transfer results (status). While a transfer is in progress, the overlay area of the dQH in controller memory is used as a staging area for the dTDs.

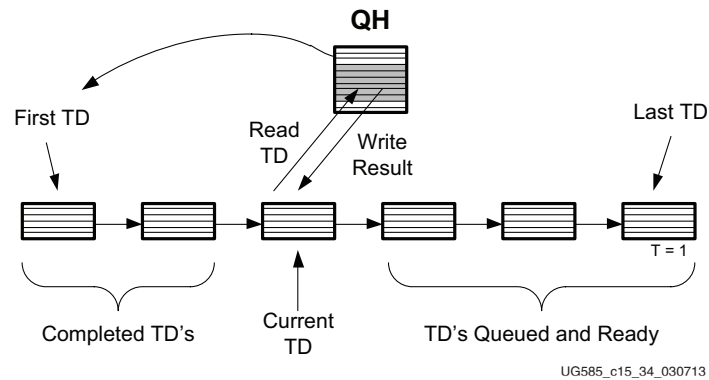


Figure 15-5: USB Controller Link-list Concept

## 15.1.7 Implementation Summary

There are EHCI enhancements to support the embedded Transaction Translator and hardware assistance features to support OTG. Here is a summary of special features, enhancements, deviations and unsupported features.

- EHCI Enhancements and Deviations, section [15.11 EHCI Implementation](#).
- Hardware Assistance Features for OTG, section [15.14.1 Hardware Assistance Features](#).
- Embedded Transaction Translator (no separate companion controller hardware), section [15.11.2 Embedded Transaction Translator](#).
- The AHB interface is a master-only and used by the DMA controller (no PCI registers).
- The ULPI Carkit feature is not supported.

## 15.1.8 Documentation

### Scope of TRM

The Zynq-7000 Technical Reference Manual (TRM) describes hardware functionality and register-level software programming for Host controller mode drivers (HCD) and Device controller mode drivers (DCD). Guidance for the upper software layers, including device classes and applications, are beyond the scope of the TRM.



## Documents and Specifications

The reader should be familiar of USB technology and access to the following documents. These documents are mentioned in the text and are listed in [Third-Party IP and Standards Documents in Appendix A](#).

### Zynq-7000 AP SoC Documents

- **TRM** for all Zynq-7000 series; **UG585**. Architecture and register-level programming.
- **Data Sheet** for 7z010, 7z015, and 7z020 devices; **DS187**. Electrical specifications.
- **Data Sheet** for 7z030, 7z045, and 7z100 devices; **DS191**. Electrical specifications.
- **Errata Sheets** for all devices; **ENxxx** (multiple). Related AR list, [AR47916](#).

### 7-Series FPGA Documents

- Refer to the list in [A.3.2 PL Documents – Device and Boards](#).

### USB Specifications

- USB 2.0 Specification
- UTMI+ Low Pin Interface (ULPI) Specification
- Enhanced Host Controller Interface (EHCI) Specification for Universal Serial Bus

## Chapter Nomenclature

- Refer to the USB 2.0 Specification, Chapter 2 Terms and Abbreviations.
- Xilinx Corporate glossary includes general terms.
- Chapter-specific terms:
  - DCD means device controller driver. This is the device driver software used in device mode.
  - HCD means host controller driver. This is the device driver software used in host mode.
  - The term Frame applies to FS/LS mode. Microframe applies to HS mode. (Micro)frame applies to FS/LS and HS modes.
  - In the USB Controller chapter, DWord means 32 bits. In the rest of the PS, a word is defined to mean 32 bits.
  - There are two dual-purpose registers (for host and device mode) listed in [Table 15-1](#). The `usb.ASYNCLISTADDR_ENDPOINTLISTADDR` register is referred to as `usb.ASYNCLISTADDR_` when discussing Host mode and `usb._ENDPOINTLISTADDR` when discussing Device mode. The `usb.PERIODICLISTBASE_DEVICEADDR` register is similar.

## 15.1.9 Notices

### 7z010 CLG225 Device

The 7z010 CLG225 device supports 32 MIO pins as shown in the MIO table in section [MIO-at-a-Glance Table in](#) . Only one USB interface is available in the 7z010 CLG225 device. If USB and GigE are required, the GigE I/O signals must interface through the EMIO.

## 15.1.10 Chapter Overview

### Functional Descriptions and Programming Guides

The USB controller chapter includes multiple sections of introductions, functional descriptions and programming guides. The functional descriptions explain controller functionality and includes register programming information that is related to hardware functions.

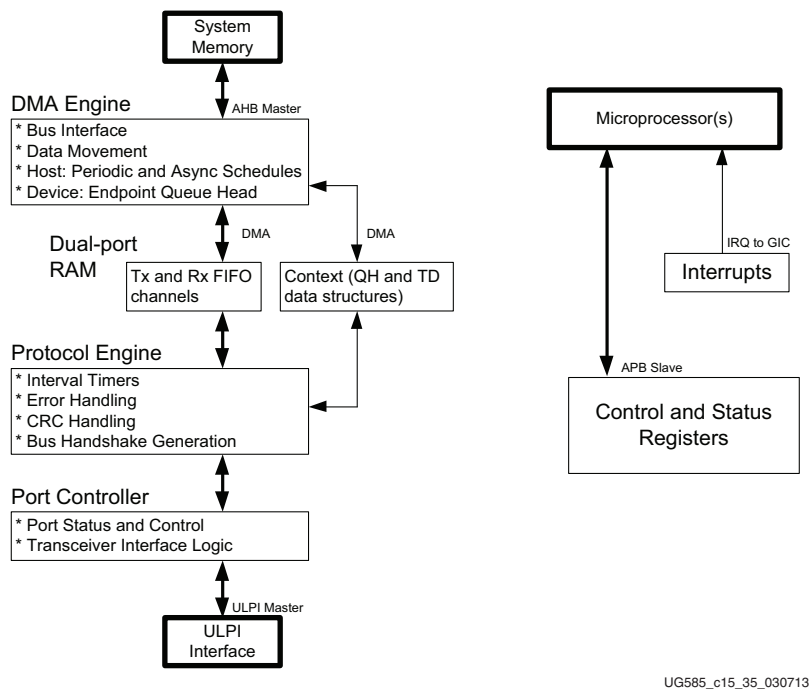
- Content for All Modes
  - [15.1 Introduction](#)
  - [15.2 Functional Description](#)
  - [15.3 Programming Overview and Reference](#)
  - [15.15 System Functions](#)
  - [15.16 I/O Interfaces](#)
- Device Operating Mode
  - [15.4 Device Mode Control](#)
  - [15.5 Device Endpoint Data Structures](#)
  - [15.6 Device Endpoint Packet Operational Model](#)
  - [15.7 Device Endpoint Descriptor Reference](#)
  - [15.8 Programming Guide for Device Controller](#)
  - [15.9 Programming Guide for Device Endpoint Data Structures](#)
- Host Operating Mode
  - [15.10 Host Mode Data Structures](#)
  - [15.11 EHCI Implementation](#)
  - [15.12 Host Data Structures Reference](#)
  - [15.13 Programming Guide for Host Controller](#)
- OTG Operating Mode
  - [15.14 OTG Description and Reference](#)

## 15.2 Functional Description

This section generally applies to both device and host modes.

### 15.2.1 Controller Flow Diagram

The controller flow diagram in Figure 15-6 shows the USB data transfer flows, the descriptor flows, and the interface to software.



UG585\_c15\_35\_030713

Figure 15-6: USB Controller Flow Diagram

### 15.2.2 DMA Engine

#### Data Transfers

In host mode, the data structures are defined by the EHCI specification and represent queues of periodic and asynchronous transfers to be performed by the host controller including the split transaction requests that allow the controller to direct packets to FS/LS devices that are downstream of an external HS hub or root hub. Host mode uses the queue head (QH), queue element transfer descriptor (qTD), isochronous transfer descriptor (iTd), split transaction isochronous transfer descriptor (siTD) and the periodic frame span transversal node (FSTN) data structures.

In device mode, the data structures are simpler and consist of device queue heads (dQH) and device transfer descriptors (dTd) that are used in a linked-list fashion.

The DMA engine is a 32-bit bus master on the AHB interface to access the PS system interconnect.

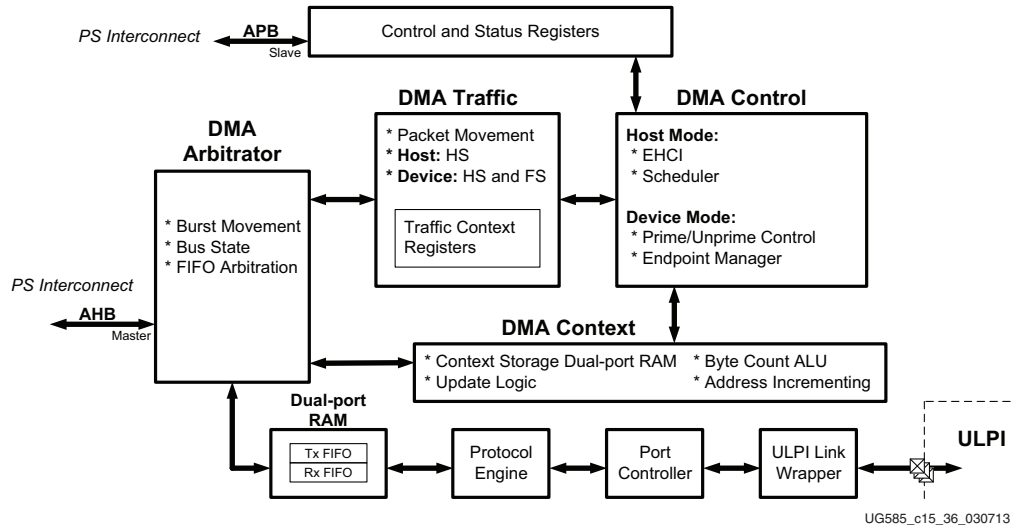


Figure 15-7: USB DMA Controller Block Diagram

### 15.2.3 Protocol Engine

The protocol engine parses the USB tokens, generates response packets and performs error checking functions. Data packets are passed through the transfer buffers, the DMA engine and system memory.

The controller does not provide a hardware-based Transaction Translator for Low and Full speed operations. Instead, the DMA and Protocol engines are used to support this functionality as described in section 15.11.2 Embedded Transaction Translator.

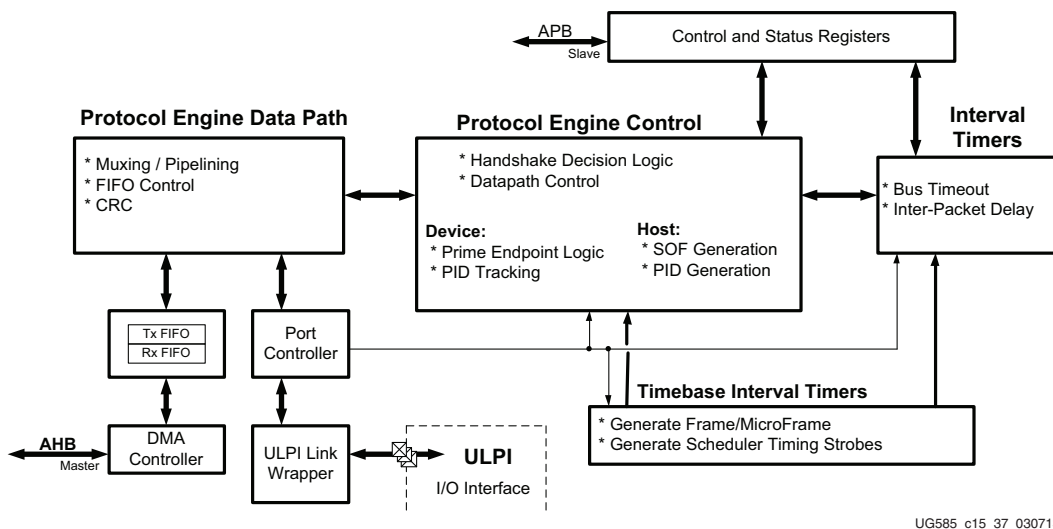


Figure 15-8: USB Protocol Engine Block Diagram

The protocol engine is responsible for all error checking, check field generation, formatting all the handshake, Ping and data response packets on the bus, and for generating signals that are needed based on a USB based time frame.

## Protocol Engine Functions

The protocol engine contains several functions for both host and device mode:

- The token state machines track all of the tokens on the bus and filters the traffic based on the address and endpoint information in the token.
- The CRC5 and CRC16 CRC generator/checker circuits check and generate the CRC check fields for the token and data packets.
- The data and handshake state machines generate any responses required on the USB and move the packet data through the dual port RAM to the DMA controller.
- The Interval Timers provide timing strobes that identify important bus timing events: the bus timeout interval, the microframe interval, the start of frame interval, and the bus reset, resume, and suspend intervals.
- Reports all transfer status to the DMA engine.

## 15.2.4 Port Controller

The port transceiver controller provides a couple of basic functions:

- Suspend/Resume
- For device mode, Chirp control.

## 15.2.5 ULPI Link Wrapper

The ULPI Link wrapper passes-through packet data and interprets Rx commands as well as send Tx commands and provide viewport services to the software.

The ULPI link wrapper interfaces between the port controller (a bus similar to UTMI+ that connects to the rest of the controller and its registers) and the ULPI interface.

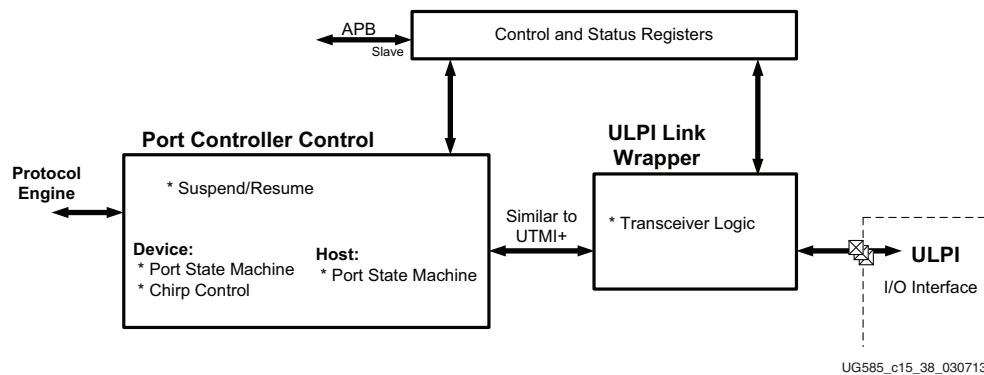


Figure 15-9: USB Port Controller and ULPI Link Wrapper Block Diagram

## 15.2.6 General Purpose Timers

The two independently programmable timers can be used to generate a timeout or to measure time related activities. The programmable timers should not be confused with the controller's interval timers which are used by the controller to generate frame and microframe intervals and to generate strobes for the host controller scheduler.

A timer is controlled by its control and load registers; `usb.GPTIMERxCTRL` and `usb.GPTIMERxLD`. The load register contains the value that is loaded into the timer when a timer reset occurs.

The control register contains timer configuration and a data field which can be queried to determine the running count value. The timer has granularity of 1 microsecond and can be programmed to count for a little over 16 seconds. There are two modes for this timer; one-shot and looped count. When the timer counter value transitions to 0, an interrupt is controllable using the `usb.USBSTS` and `usb.USBINTR` registers.

The one-shot mode, `usb.GPTIMERxCTRL [GPTMODE] = 0`, selects a single timer countdown where the timer will count down to 0, generate an interrupt and stop until the counter is reset by software.

In repeat, looped countdown, the timer will count down to 0, generate an interrupt and automatically reload the counter from the `usb.GPTIMERxLD` register to begin to count down again.

## 15.3 Programming Overview and Reference

This section includes an overview of the programming model for host and device modes. The programming model details for each mode are separately described in other sections of the Zynq-7000 AP SoC Technical Reference Manual (TRM).

### 15.3.1 Hardware/Software System

The physical and virtual data flows for a USB hardware/software system are illustrated in Figure 15-10. These flows form the basis of USB. The TRM is focused on the operations of the bus interface and device layers as a foundation for writing drivers that include the functional layer.

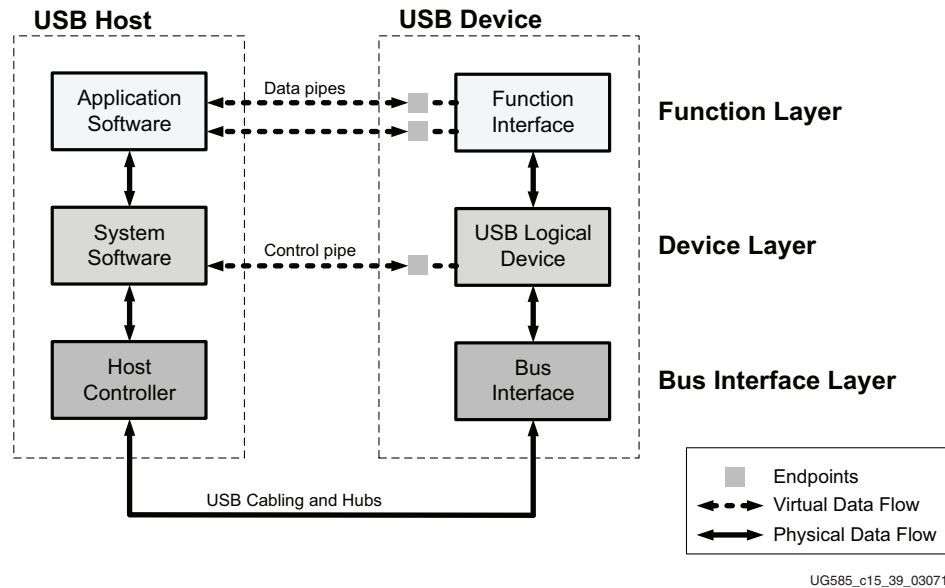


Figure 15-10: USB System Stack

### 15.3.2 Operational Mode Control

#### States

The controller can be configured for device mode or host mode. In OTG mode, the controller must perform tasks independent of the device and host controller modes to determine what mode to put the controller into. Software can use the `usb.USBCMD [RST]` reset bit to reset the vast majority of the controller, but preserve register values and controller state to support OTG operations. This reset transitions the controller out of host or device mode and into an idle state as shown in figure Figure 15-11. OTG tasks are performed independent of the [RST] bit reset as well as independent of the controller mode.

The software sets the `usb.USBMODE [CM]` mode bit to select either host or device mode.

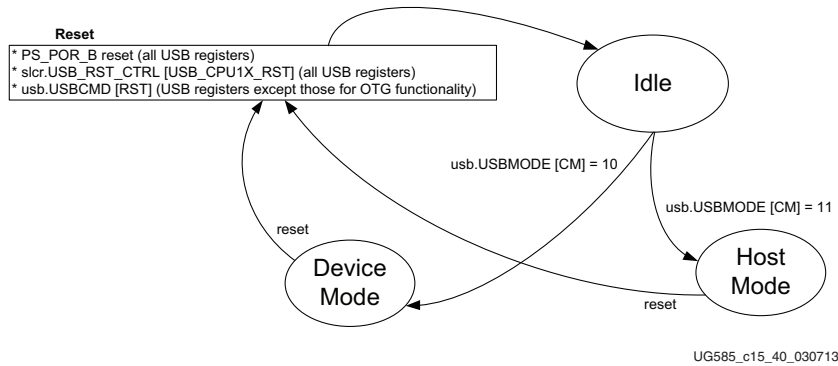


Figure 15-11: USB Controller Mode Diagram

### 15.3.3 Power Management

#### Stop-Clock

The USB controller can be held in reset by the PS reset subsystem and the PHY clock from the PHY can be stopped to reduce power consumption. The clocks and resets are described in section 15.15 System Functions.

#### Suspend and Resume

The USB controller supports Suspend/Resume functions for both host and device modes.

### 15.3.4 Register Overview

Each controller includes its own set of independent control and status registers that are memory mapped at 0xE000\_2000 for controller 0 and at 0xE000\_3000 for controller 1. The register address offsets and brief descriptions are summarized in Table 15-1. The detailed descriptions are in Appendix B.

The controller and all registers are reset by the assertion of the USB Ref Reset from the PS. The mechanism is described in Chapter 26, Reset System. The reset value of the controller registers are shown in Appendix B. Software can reset the controller and the non-OTG registers by writing a 1 to the `usb.USBCMD [RST]` bit. The registers that are reset by `usb.USBCMD [RST]` are identified in the last column of Table 15-1.

#### Register Overview Table

The controller registers include configuration constants, capability constants and operational registers for EHCI compatibility (Host mode) and non-EHCI functions (Device and OTG modes). The non-EHCI registers support device mode and OTG functions. The EHCI register fields are overlaid into the controller's register set.

- **OTG/Mode** registers provide control and status for HNP and SRP.



- **Dev** register is used by the device controller driver software (DCD).
- **Host** register is used by the host controller driver software (HCD).
- **EHCI** register includes content from the specification. 'x' means partial. 'ex' means exclusive.

Table 15-1: USB Controller Register Overview

Offset Address	Register Name	OTG/ Mode	Dev	Host	EHCI	Type	Affected by USBCMD Reset
	Bit Acronym						
<b>Identification: Configuration Constants.</b>							
0x0000	ID	x	x	x		RO	no
0x0004	HWGENERAL	x	x	x		RO	no
0x0008	HWHOST	~	~	x		RO	no
0x000C	HWDEVICE	~	x	~		RO	no
0x0010	HWTXBUF	~	x	x		RO	no
0x0014	HWRXBUF	~	x	x		RO	no
<b>General Purpose (GP) Timers.</b>							
0x0080/88	GPTIMER{0,1}LD	x	x	x	~	rw	yes
0x0084/8C	GPTIMER{0,1}CTRL	x	x	x	~	mixed	yes
<b>AXI Interconnect</b>							
0x0090	SBUSCFG	x	x	x	~	RW	yes
<b>Capability: Controller and EHCI Capabilities Constants (IP Configuration Constants).</b>							
0x0100	CAPLENGTH_HCIVERSION	x	x	x	x	RO	no
0x0104	HCSPARAMS	x	~	x	ex	RO	no
0x0108	HCCPARAMS	~	~	x	ex	RO	no
0x0120	DCIVERSION	x	x		x	RO	no
0x0124	DCCPARAMS	x	x			RO	no
<b>Operational: Interrupts, Schedule Pointers (Host), and Endpoint Pointers (Device).</b>							
0x0140	USBCMD	x	x	x	x	RW	yes
0x0144	USBSTS, refer to <a href="#">Table 15-2</a> .	x	x	x	x	RW, R/W1C, RO	yes, except RO
0x0148	USBINTR	x	x	x	ex	RW, R/W1C, RO	yes, except RO
0x014C	FRINDEX	~	x	x	x	RW	yes
0x0154	PERIODICLISTBASE_	~	~	x	ex	RW	yes
	_DEVICEADDR	~	x	~	~	RW	yes
0x0158	ASYNCLISTADDR_	~	~	x	ex	RW	yes
	_ENDPOINTLISTADDR	~	x	~	~	RW	yes
<b>Operational: Transaction Translator.</b>							
0x015C	TTCTRL	~	~	x	~	RW, RO	yes, except RO
<b>Operational: Misc.</b>							
0x0160	BURSTSIZE	x	x	x	~	RW	yes
0x0164	TXFILLTUNING					RW, R/W1C	yes
0x0168	TXTFILLTUNING					RW, R/W1C	yes
0x016C	IC_USB	x	x	x	~	RW	yes
0x0170	ULPI_VIEWPORT	x	x	x	~	RW, RO	yes, except RO
<b>Operational: Endpoint Control (Device mode), refer to <a href="#">Figure 15-4</a> for details.</b>							

Table 15-1: USB Controller Register Overview (Cont'd)

Offset Address	Register Name	OTG/ Mode	Dev	Host	EHCI	Type	Affected by USBCMD Reset
	Bit Acronym						
0x0178	ENDPTNAK		x	~	~	R/WTC	
0x017C	ENDPTNAKEN		x	~	~	RW	
<b>Operational: Host mode (EHCI) and Device mode.</b>							
0x0180	CONFIGFLAG	x	x	x	x	RO	
0x0184	PORTSC1	x	x	x	x	RW, RO, R/W1C	partial
	[WKDS] [WKC�] [WKOC]						no
	[PIC] [PR]						no
	others						yes
<b>Operational: Mode Control.</b>							
0x01A4	OTGSC	x	~	~	~	RW, RO, R/W1C	no
0x01A8	USBMODE	x	x	x	~	RW	yes
<b>Endpoint Configuration and Control (Device mode), refer to Figure 15-4 for details.</b>							
0x01AC	ENDPTSETUPSTAT	~	x	~	~	R/W1C	yes
0x01B0	ENDPTPRIME	~	x	~	~	R/W1S	yes
0x01B4	EMDPTFLUSH	~	x	~	~	R/W1S	yes
0x01B8	ENDPTSTAT	~	x	~	~	RO	no
0x01BC	ENDPTCOMPLETE	~	x	~	~	R/W1C	yes
0x01C0	ENDPTCTRL 0	~	x	~	~	RW, RO	yes, except RO
0x01C4 to 0x01EC	ENDPTCTRL {1 to 11}	~	x	~	~	RW, R/W1C	yes

### 15.3.5 Interrupt and Status Bits Overview

Each controller has a IRQ interrupt signal to the PS interrupt controller that is an accumulation of enable interrupts listed in Table 15-2 except for some Status-only bit that can't generate an interrupt.

- Controller 0: IRQ ID #53
- Controller 1: IRQ ID #76

#### USBSTS Interrupt, Status and Enable Registers

The interrupt and status bits of the usb.USBSTS registers are listed in Table 15-2 USB Interrupt and Status Register Bits. The interrupt bits are maskable using the usb.USBINTR registers. The status bits do not generate an interrupt and are read-only to provide status information to software.

Table 15-2: USB Interrupt and Status Register Bits

USBSTS (status) Bit Field		Type	USBINTR (enable) Bit Field	Description	Dev	Host	Cross Reference
[TI1]	25	Interrupt	25	Timer 1.	x	x	15.2.6 General Purpose Timers
[TI0]	24	Interrupt	24	Timer 0.	x	x	
[UPI]	19	Interrupt	19	Periodic qTD complete.	~	x	
[UAI]	18	Interrupt	18	Async qTD complete.	~	x	
[NAKI]	16	Interrupt	16	Device generated NAK.	x	~	
[AS]	15	Status-only	na	Async Schedule state.	~	x	
[PS]	14	Status-only	na	Periodic Schedule state.	~	x	
[RCL]	13	Status-only	na	Host Reclamation status.	~	x	
[HCH]	12	Status-only	na	Halt status of Run/Stop.			
[ULPII]	10	Interrupt	10	ULPI Viewport transfer complete.	x	x	
[SLI]	8	Interrupt	8	Device enters Suspend state.	x	~	
[SRI]	7	Interrupt	7	Start of Frame (SOF) received.	x	~	Table 15-17
[URI]	6	Interrupt	6	Reset received.	x	~	
[AAI]	5	Interrupt	5	Async schedule advance.	~	x	
[SEI]	4	Interrupt	4	System Error response on AHB.	x	x	
[FRI]	3	Interrupt	3	Periodic Frame List rollover.	~	x	
[PCI]	2	Interrupt	2	Port Change Detect.	x	x	
[UEI]	1	Interrupt	1	USB Transaction Error.			
[UI]	0	Interrupt	0	TD complete	x		Table 15-17

### 15.3.6 OTG Status/Interrupt and Control Register

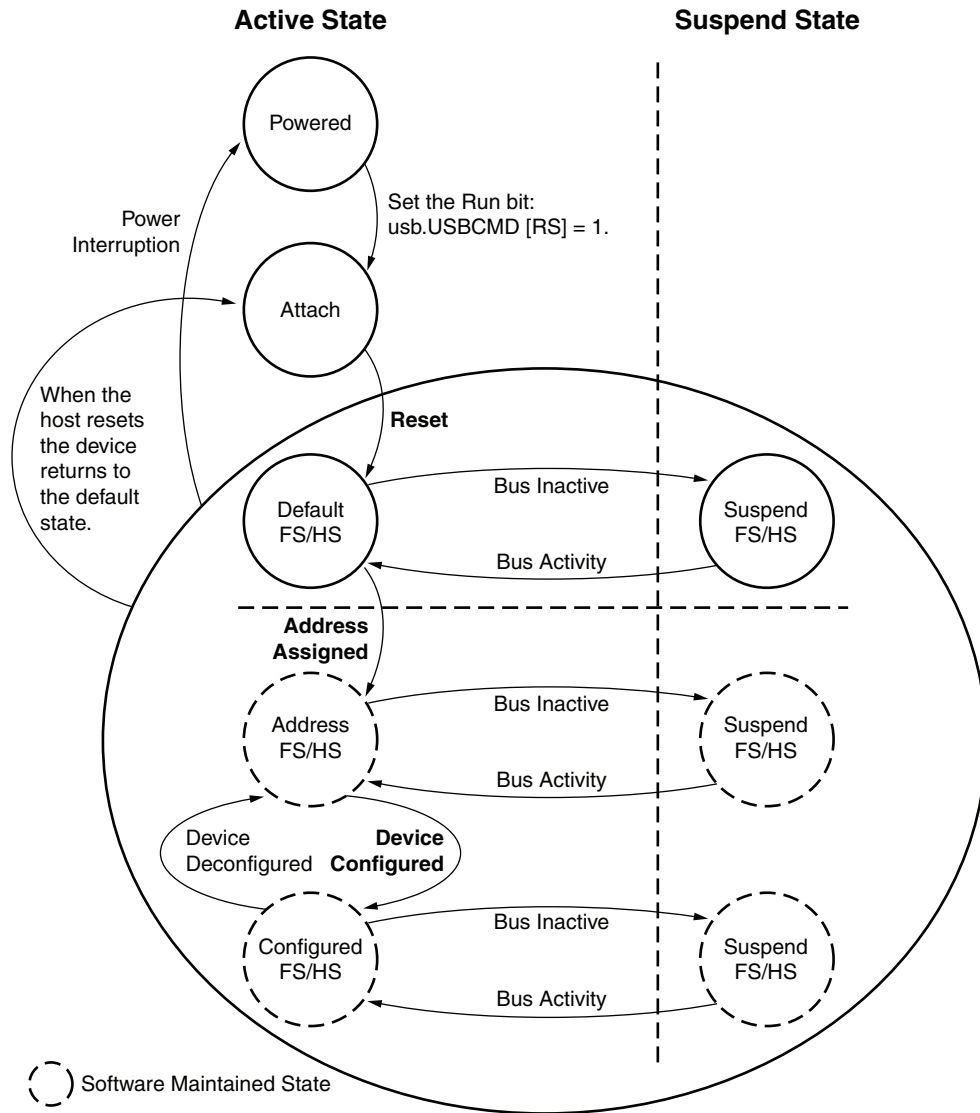
The programming model for On-the-Go (OTG) USB is supported by the OTG status and control register (OTGSC). The OTG operation works independently of the host and device modes. In OTG mode, once the controller has determined which mode to operate in, the full features of that mode (host or device) are available to the software. Please refer to [15.14.2 OTG Interrupt and Control Bits](#).

## 15.4 Device Mode Control

When the controller is in device mode, software enables its control endpoint, prepares descriptors based on the functionality of the device and prepares the necessary endpoints.

### 15.4.1 Controller State

The device mode includes the active physical state of the controller, left side of Figure 15-12, and the suspend state maintained in software, right side of the figure. Power interruptions, resets and USB activity all contribute to the sequencing through these states.



UG585\_c15\_12\_030413

Figure 15-12: USB Device State Diagram

It is the responsibility of software to maintain a state variable to differentiate between the default FS/HS state and the address/configured states. Change of state from default to address and the configured states is part of the enumeration process described in the device framework section of the USB 2.0 Specification.

Table 15-3: USB Device State Information Bits

Bit Description	Register Bit	Interrupt
Suspend Mode	usb.USBSTS [SLI]	Yes
USB Reset Received	usb.USBSTS [URI]	Yes
Port Change Detect	usb.USBSTS [PCI]	Yes
High-Speed Port	usb.PORTSC1 [PSPD]	No

As a result of entering the address state, the device address register (usb.\_DEVICEADDR) must be programmed by the DCD.

Entry into the configured state indicates that all endpoints to be used in the operation of the device have been properly initialized by programming the usb.ENDPTCTRLx registers and initializing the associated queue heads.

## 15.4.2 USB Bus Reset Response

A USB bus reset is used by the host to initialize downstream devices. The USB reset is one of several types of resets in the system, refer to section 15.15.2 [Reset Types](#) for a list.

When a bus reset is detected, the device controller hardware renegotiates its attachment speed, reset the device address to 0 and notify the DCD by interrupt (assuming the USB reset interrupt enable is set). After a reset is received, all endpoints (except EP 0) are disabled and any primed transactions are canceled by the device controller. The concept of priming will be clarified below, but the DCD must perform the following tasks when a reset is received.

### DCD Actions

1. Clear all setup token semaphores by reading the usb.ENDPTSETUPSTAT register and writing the same value back to the usb.ENDPTSETUPSTAT register. Clear all the endpoint complete status bits by reading the usb.ENDPTCOMPLETE register and writing the same value back to the usb.ENDPTCOMPLETE register.
2. Cancel all primed status by waiting until all bits in the usb.ENDPTPRIME register are 0 and then writing `FFFF_FFFFh` to usb.ENDPTFLUSH register.
3. Read the reset bit in the PORTSC1 register and make sure that it is still active. A USB reset occurs for a minimum of 3 ms and software must reach this point in the reset cleanup before end of the reset occurs, otherwise a hardware reset of the device controller is recommended (rare).

### Device Controller Reset

4. A hardware reset can be performed by writing a 1 to the usb.USBCMD [RST] reset bit. A hardware reset will cause the device to detach from the bus by clearing the run/stop bit. Thus, software must completely re-initialize the device controller after a hardware reset.
5. Free all allocated dTD's because they will no longer be executed by the device controller. If this is the first time the DCD is processing a USB reset event, then it is likely that no dTD's have been allocated.

At this time, the DCD might release control back to the OS because no further changes to the device controller are permitted until a port change detect is indicated.

## Port Change Detect

After a port change detect, the device has reached the default state and the DCD can read the PORTSC1 register to determine if the device is operating in FS or HS mode. At this time, the device controller has reached normal operating mode and the DCD can respond to enumeration according to the *USB Chapter 9 - Device Framework*.

The DCD can use the FS/HS mode information to determine the bandwidth mode of the device.

**Note:** Before resume signaling can be used, the host must be enabled using the Set Feature command defined in device framework of the *USB 2.0 Specification*.

---

## 15.5 Device Endpoint Data Structures

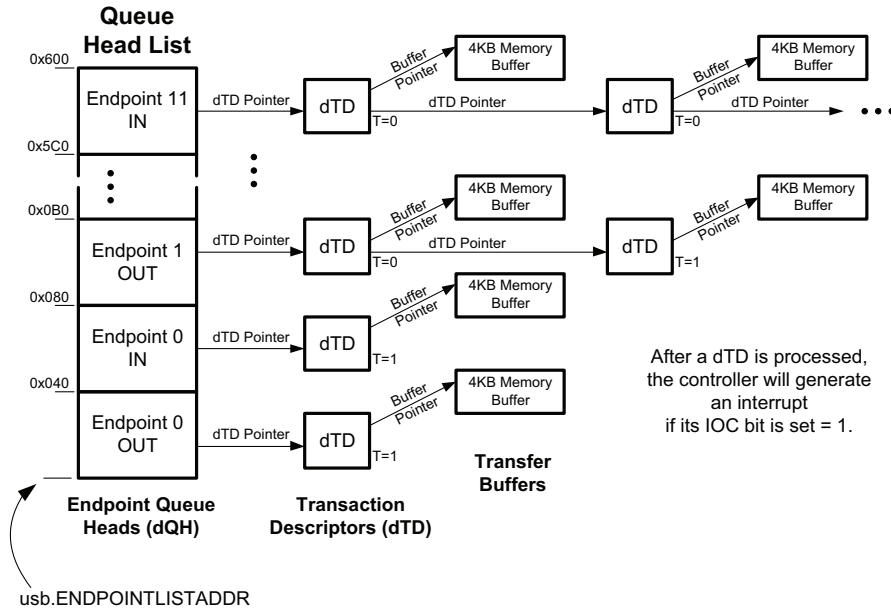
The device endpoint data structures consist of link-list endpoint descriptors that must be initialized and managed by software. This consists of programming the endpoint control registers, maintaining a set of descriptors in system memory, and managing system memory buffers.

### 15.5.1 Link-list Endpoint Descriptors

There are two types of descriptors used for the device controller: the device Queue Head (dQH) and the device Transfer Descriptor (dTD). [Figure 15-13](#) shows how these are used in a link-list fashion. The DMA engine uses link-list descriptors to respond to endpoint packet transfer requests from the host.

It is necessary for the DCD to maintain head and tail pointers to the linked list of dTD's for each respective queue head. This is necessary because the dQH only maintains pointers to the current working dTD and the next dTD to be executed. The operations described in next section for managing dTD will assume the DCD can reference the head and tail of the dTD linked list.

**Note:** To conserve memory, the reserved fields at the end of the dQH can be used to store the Head and Tail pointers but it still remains the responsibility of the DCD to maintain the pointers.



UG585\_c15\_41\_030713

Figure 15-13: USB Device Link-list Endpoints Example

The device controller API software incorporates and abstracts for the application developer all of the information contained in the device operational model. Each Endpoint can be configured for bi-directional transfers (contain both IN and OUT endpoints).

Queue Head and Linked Transfer Descriptors:

- [15.7.1 Endpoint Queue Head Descriptor \(dQH\)](#)
- [15.7.2 Endpoint Transfer Descriptor \(dTD\)](#)
- [15.7.3 Endpoint Transfer Overlay Area](#)

## Descriptor and Data Flow

The top portion of [Figure 15-14](#) shows the list of queue heads (one for each endpoint) and the list of transfer descriptors that are referenced by the dQH and other dTD descriptors. The low portion of the figure shows data being transferred between memory and the ULPI connection to USB.

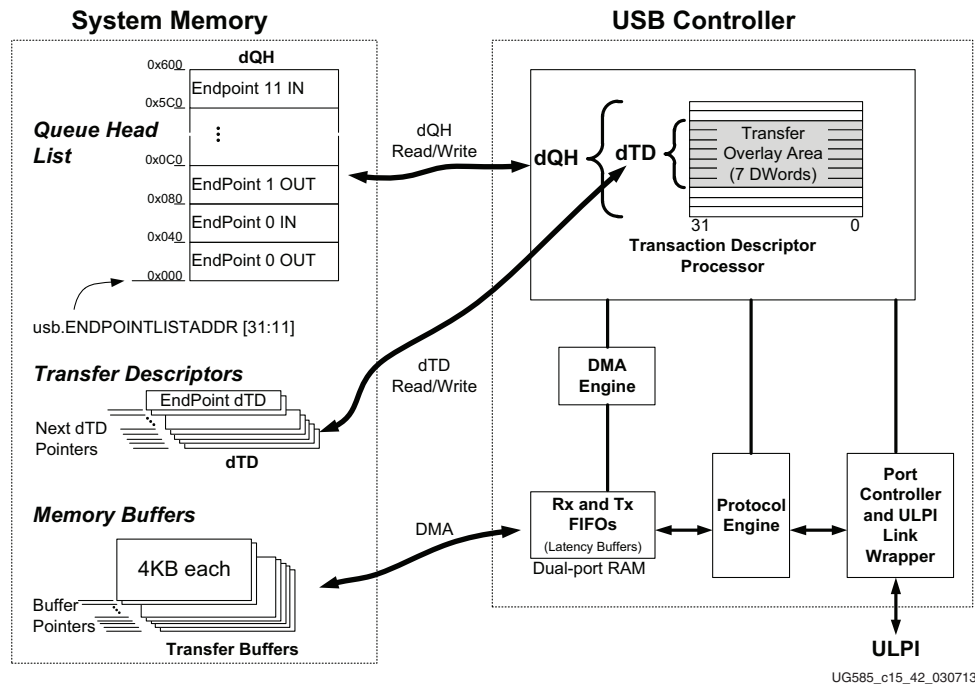


Figure 15-14: USB Device Descriptor and Data Flow

## 15.5.2 Manage Endpoints

The *USB 2.0 Specification* defines an endpoint, also called a device endpoint or an address endpoint as a uniquely addressable portion of a USB device that can source or sink data in a communications channel between the host and the device. The endpoint address is specified by the combination of the endpoint number and the endpoint direction.

The channel between the host and an endpoint at a specific device represents a data pipe. Endpoint 0 for a device is always a control type data channel used for device discovery and enumeration. Other types of endpoints support by USB include bulk, interrupt, and isochronous. Each endpoint type has specific behavior related to packet response and error handling. More detail on endpoint operation can be found in the *USB 2.0 Specification*.

The device controller hardware is configured to support up to 12 endpoints. The DCD can enable, disable and configure endpoint type up to the maximum selected during synthesis.

Each endpoint direction is essentially independent and can be configured with differing behavior in each direction. For example, the DCD can configure endpoint 1 IN to be a bulk endpoint and endpoint 1 OUT to be an isochronous endpoint. This helps to conserve the total number of endpoints required for device operation. The only exception is that control endpoints must use both directions on a single endpoint number to function as a control endpoint. Endpoint 0, for example, is always a control endpoint and uses the pair of directions.

Each endpoint direction requires a queue head allocated in memory. For 12 endpoints, numbers is used, then 24 queue heads are required one for each endpoint direction being used by the device



controller. The operation of an endpoint and use of queue heads are described later in this document.

### 15.5.3 Endpoint Registers

The endpoint registers are listed in [Table 15-4 USB Device Endpoint Register Summary](#). These registers were summarized at the end of [Table 15-1, page 393](#).

In general, there is one bit for each endpoint. The lower half of the register bits are for Rx endpoints and the upper half is for Tx endpoints. Exceptions include the ENDPTSETUPSTAT and the endpoint control registers, ENDPTCTRL{11:0}.

#### Endpoint Registers

Table 15-4: USB Device Endpoint Register Summary

Register Name	Description and Register Bit Field		Type
	Tx Endpoint (11:0)	Rx Endpoint (11:0)	
<b>ENDPTNAK</b>	Bit is set when an endpoint sends a NAK to the Host. [EPTN], 27:16 (IN token)	[EPRN], 11:0 (OUT or Ping token)	Read and Write-one-to-clear.
<b>ENDPTNAKEN</b>	Interrupt enable bits for ENDPTNAK bits. [EPTNE], 27:16	[EPRNE], 11:0	Read/Write.
<b>ENDPTSETUPSTAT</b>	Bit is set when an endpoint receives a Setup transaction. ~	[ENDPTSETUPSTAT], 11:0	Read and Write-one-to-clear.
<b>ENDPTPRIME</b>	Software sets a bit to instruct the controller to prepare for a packet transfer. The QH, dTD's, and endpoint registers are ready. [PETB], 27:16 (IN or Interrupt)	[PERB], 11:0 (OUT)	Read and Write-one-to-set.
<b>ENDPTFLUSH</b>	Software sets a bit to instruct the controller to flush an endpoint. [FETB], 27:16	[FERB], 11:0	Read and Write-one-to-set.
<b>ENDPTSTAT</b>	Indicates that the controller hardware has primed the endpoint as requested by the ENDPTPRIME register. [ETBR], 27:16	[ERBR], 11:0	Read-only.
<b>ENDPTCOMPLETE</b>	Indicates that the controller has completed the transfer that was primed. [ETCE], 27:16	[ERCE], 11:0	Read and Write-one-to-clear.

## Endpoint Configuration Registers

Table 15-5: USB Device Endpoint Configuration Register Summary

Register Name	Description and Register Bit Field		Type
	Tx	Rx	
ENDPTCTRL0	Software can control the STALL behavior for Rx and Tx transactions to the control endpoint. Software can read the control endpoint configuration.		(see below)
	[TXS], 16	[RXS], 0	Read-write.
	Others: always enabled, Tx and Rx capable.		Read-only.
ENDPTCTRL {11:0}	Software configuration and control bits for each endpoint. Refer to <a href="#">Table 15-6, page 402</a> .		Read-write.
	Force controller to send Stall responses.		
	[TXS], 16	[RXS], 0	
	Always set = 0 (datapath includes FIFOs).		
	[TXS], 17	[RXS], 1	
	Select endpoint type (Control, ISO, Bulk, Interrupt).		
	[TXS], 19:18	[RXS], 3:2	
Always set = 0 (test mode to ignore data toggling).		Write-one.	
[TXS], 21	[RXS], 5		
Data toggle reset (write 1 to synchronize data PIDs).		Read-write.	
[TXS], 22	[RXS], 6		
Endpoint enable.		Read-write.	
[TXS], 23	[RXS], 7		

### 15.5.4 Endpoint Initialization

After hardware reset, all endpoints except endpoint 0 are uninitialized and disabled. The DCD must configure and enable each endpoint by writing to the configuration register `usb.ENDPTCTRLx`. Each 32-bit `usb.ENDPTCTRLx` is split into an upper and lower half. The lower half of `usb.ENDPTCTRLx` register is used to configure the receive or OUT endpoint and the upper half is likewise used to configure the corresponding transmit or IN endpoint. Control endpoints must be configured the same in both the upper and lower half of the `usb.ENDPTCTRLx` register otherwise the behavior is undefined. [Table 15-6](#) shows how to construct a configuration word for endpoint initialization.

Table 15-6: USB Device Endpoint Initialization

Field	Value	Meaning
Data Toggle Reset, <code>usb.ENDPTCTRLx [TXR]</code>	1	Restart transfers with DATA0 PID.
Date Toggle Inhibit, <code>usb.ENDPTCTRLx [TXI]</code>	0	Toggle between DATA0 and DATA1 PIDs.

Table 15-6: USB Device Endpoint Initialization (Cont'd)

Field	Value	Meaning
Endpoint Type, usb.ENDPTCTRLx [TXT]	Depends on the setup request.	00: Control 01: Isochronous 10: Bulk 11: Interrupt
Endpoint Stall, usb.ENDPTCTRLx [TXS]	0	Do not force stall response.

## Stall

There are two occasions where the device controller might need to return a STALL to the host:

- Functional Stall: software initiated (non-control endpoints only).
- Protocol Stall: hardware initiates (control endpoint).

The functional stall, which is a condition set by the DCD as described in the USB 2.0 device framework. A functional stall is only used on non-control endpoints and can be enabled in the device controller by setting the usb.ENDPTCTRLx [TXS] stall bit associated with the given endpoint and the given direction. In a functional stall condition, the device controller will continue to return STALL responses to all transactions occurring on the respective endpoint and direction until the endpoint stall bit is cleared by the DCD.

A protocol stall, unlike a function stall, is used on control endpoints and automatically cleared by the device controller at the start of a new control transaction (setup phase). When enabling a protocol stall, the DCD should enable the stall bits (both directions) as a pair. A single write to the usb.ENDPTCTRLx register can ensure that both stall bits are set at the same instant.

**Note:** Any write to the usb.ENDPTCTRLx register during operational mode must preserve the endpoint type field (i.e. perform a read-modify-write of this register and preserve the [TXT] field).

Table 15-7: USB Device Packet Mismatch Response

USB Packet Type Received	Endpoint Type	Stall Bit setting [TXS]	Hardware action on Stall bit	Bus Response
Setup	Control	x	Clears [TXS]	ACK
	Non-Control	x	None	STALL
IN/OUT/Ping	All	0	None	ACK/NAK/NYET
	All	1	None	STALL

## Data Toggle

Data toggle is a mechanism to maintain data ordering between the host and device for a given data pipe. For more information on data toggle, refer to the USB 2.0 specification.

The DCD can reset the data toggle state bit and cause the data toggle sequence to reset in the device controller by writing a 1 to the data toggle reset bit in the usb.ENDPTCTRLx [TXR] register bit. This should only be necessary when configuring/initializing an endpoint or returning from a STALL condition.

## Data Toggle Inhibit

This feature is for test purposes only and should never be used during normal device controller operation. Setting the data toggle inhibit bit active (usb.ENTPTCTRLx [RXI] bit = 1) causes the device controller to ignore the data toggle pattern that is normally sent and accept all incoming data packets regardless of the data toggle state.

In normal operation, the device controller checks the DATA0/DATA1 bit against the data toggle to determine if the packet is valid. If Data PID does not match the data toggle state bit maintained by the device controller for that endpoint, the Data toggle is considered not valid. If the data toggle is not valid, the device controller assumes the packet was already received and discards the packet (not reporting it to the DCD). To prevent the host controller from re-sending the same packet, the device controller will respond to the error packet by acknowledging it with either an ACK or NYET response.

---

## 15.6 Device Endpoint Packet Operational Model

All transactions on the USB bus are initiated by the host and in turn, the device must respond to any request from the host within the turnaround time stated in the *USB 2.0 Specification*. At USB 1.1 Full or Low Speed rates, this turnaround time was significant and the USB 1.1 device controllers were designed so that the device controller could access main memory or interrupt a host protocol processor in order to respond to the USB 1.1 transaction. The architecture of the USB 2.0 device controller must be different because the same methods will not meet USB 2.0 High-speed turnaround time requirements.

A USB host sends requests to the device controller in an order that cannot be precisely predicted as a single pipeline, so it is not possible to prepare a single packet for the device controller to execute. However, the order of packet requests is predictable when the endpoint number and direction is considered. For example, if endpoint 3 (transmit direction) is configured as a bulk pipe, then we can expect the host will send IN requests to that endpoint.

### Prime and Flush Endpoints

This device controller is designed in such a way that it can prepare packets for each endpoint or direction in anticipation of the host request. The process of preparing the device controller to send or receive data in response to host initiated transaction on the bus is referred to as '*priming*' the endpoint. The term '*flushing*' is used to describe the action of clearing a packet that was queued for execution.

### 15.6.1 Prime Transmit Endpoints

Priming a transmit endpoint will cause the device controller to fetch the dTD for the transaction pointed to by the dQH. After the dTD is fetched, it will be copied in the dQH until the device controller completes the transfer described by the dTD. Copying the dTD in the dQH overlay area allows the device controller to fetch the operating context needed to handle a request from the host without the need to follow the linked list, starting at the dQH when the host request is received.

After the device has loaded the dTD, the leading data in the packet is stored in a FIFO in the device controller. This FIFO is split into virtual channels so that the leading data can be stored for any endpoint up to the maximum number of endpoints configured at device synthesis time.

After a priming request is complete, an endpoint state of primed is indicated in the ENDPSTATUS register. For a primed transmit endpoint, the device controller can respond to an IN request from the host and meet the stringent bus turnaround time of High Speed USB.

Since only the leading data is stored in the device controller FIFO, it is necessary for the device controller to begin filling in behind leading data after the transaction starts. The FIFO must be sized to account for the maximum latency that can be incurred by the system memory bus. More information about FIFO sizing is presented in section Bandwidth and Latency Issues.

## 15.6.2 Prime Receive Endpoints

Priming receive endpoints is identical to priming of transmit endpoints from the point of view of the DCD. At the device controller the major difference in the operational model is that there is no data movement of the leading packet data simply because the data is to be received from the host.

Note as part of the architecture, the FIFO for the receive endpoints is not partitioned into multiple channels like the transmit FIFO. Thus, the size of the RxFIFO does not scale with the number of endpoints.

## 15.6.3 Interrupt and Bulk Endpoint Operational Model

The behaviors of the device controller for interrupt and bulk endpoints are identical. All valid IN and OUT transactions to bulk pipes will handshake with a NAK unless the endpoint had been primed. Once the endpoint has been primed, data delivery will commence.

A dTD will be retired by the device controller when the packets described in the transfer descriptor have been completed. Each dTD describes N packets to be transferred according to the USB Variable Length transfer protocol. The formula and table on the following page describe how the device controller computes the number and length of the packets to be sent/received by the USB vary according to the total number of bytes and maximum packet length.

With Zero Length Termination dTD.ZLT = 0,  
$$N = \text{INT}(\text{Number of Bytes}/\text{Max. Packet Length}) + 1$$

With Zero Length Termination dTD.ZLT = 1,  
$$N = \text{MAXINT}(\text{Number of Bytes}/\text{Max. Packet Length})$$

Table 15-8: USB Device Variable Length Transfer Protocol Examples

Bytes dTID	Max. Packet Length  dQH	dTID.ZLT = 0				dTID.ZLT = 1			
		N	P1	P2	P3	N	P1	P2	P3
511	256	2	256	256		2	256	256	
512	256	3	256	256	0	2	256	256	
512	512	2	512	0		1	512		

**Note:** The dQH.Mult field must be set to 00 for Bulk, Interrupt, and Control endpoints.

The dQH.ZLT bit operates as follows on Bulk and Control transfers:

### dQH.ZLT = 0, the default value

The zero length termination is active. With the dQH.ZLT option enabled, when the device is transmitting, the hardware automatically appends a zero length packet when the following conditions are true:

- The packet transmitted equals maximum packet length
- The dTD has exhausted the field Total Bytes

After this the dTD will be retired. When the device is receiving, if the last packet length received equal maximum packet length and the total bytes is 0, it will wait for a zero length packet from the host to retire the current dTD.

### dQH.ZLT = 1

The zero length termination is inactive. With the dQH.ZLT option disabled, when the device is transmitting, the hardware will not append any zero length packet. When receiving, it will not require a zero length packet to retire a dTD whose last packet was equal to the maximum packet length packet. The dTD is retired as soon as total bytes field goes to 0, or a short packet is received.

Each transfer is defined by one dTD, so the zero length termination is for each dTD.

In some software application cases, the logic transfer does not fit into just one dTD, so it does not make sense to add a zero length termination packet each time a dTD is consumed. On those cases we recommend to turn off this dQH.ZLT feature and use the DCD to generate the zero length termination.

### Tx dTD Completes

- All packets described in the dTD were successfully transmitted. Total bytes in dTD equals 0 when this occurs.

## Rx dTD Completes

- All packets described in dTD were successfully received. Total bytes in dTD equals 0 when this occurs.
- A short packet (number of bytes < maximum packet length) was received. This is a successful transfer completion; the DCD must check Total Bytes in dTD to determine the number of bytes that are remaining. From the total bytes remaining in the dTD, the DCD can compute the actual bytes received.
- A long packet was received (number of bytes > maximum packet size) OR (total bytes received > total bytes specified). This is an error condition. The device controller will discard the remaining packet, and set the Buffer Error bit in the dTD. In addition, the endpoint will be flushed and the USBERR interrupt will become active.

On the successful completion of the packet(s) described by the dTD, the active bit in the dTD will be cleared and the next pointer will be followed when the Terminate bit is clear. When the Terminate bit is set, the device controller will flush the endpoint/direction and cease operations for that endpoint/direction.

On the unsuccessful completion of a packet (see long packet above), the dQH is left pointing to the dTD that was in error. In order to recover from this error condition, the DCD must properly reinitialize the dQH by clearing the active bit and update the next dTD pointer before attempting to re-prime the endpoint.

**Note:** All packet level errors such as a missing handshake or CRC error are retried automatically by the device controller.

There is no required interaction with the DCD for handling such errors.

## Interrupt and Bulk Endpoint Bus Response

The shaded column in [Table 15-9](#) is the normal operating mode.

Table 15-9: USB Device Interrupt and Bulk Endpoint Bus Response

Packet Identifier	Stall Bit [TXS]	Endpoint Not Primed	Endpoint Primed	Buffer Underflow	Buffer Overflow	Endpoint Not Enabled
Setup	Ignore	Ignore	Ignore	N/A	N/A	BTO
IN	STALL	NAK	Transmit	BS Error	N/A	BTO
OUT	STALL	NAK	Receive and then NYET/ACK	N/A	NAK	BTO
Ping	STALL	NAK	ACK	N/A	N/A	BTO

Table 15-9: USB Device Interrupt and Bulk Endpoint Bus Response (Cont'd)

Packet Identifier	Stall Bit [TXS]	Endpoint Not Primed	Endpoint Primed	Buffer Underflow	Buffer Overflow	Endpoint Not Enabled
Invalid	Ignore	Ignore	Ignore	Ignore	Ignore	BTO

**Notes:**

1. BS Error — Force Bit Stuff Error.
2. NYET/ACK — NYET unless the Transfer Descriptor has packets remaining according to the USB variable length protocol then ACK.
3. SYSERR — System error should never occur when the latency FIFOs are correctly sized and the DCD is responsive.
4. BTO — Bus Time Out.

### 15.6.4 Isochronous Endpoint Operational Model

Isochronous endpoints are used for real-time scheduled delivery of data and their operational model is significantly different than the host throttled bulk, interrupt, and control data pipes. Real time delivery by the device controller is accomplished by the following:

- Exactly MULT Packets per (micro)frame are transmitted/received.

**Note:** MULT is a two-bit field in the device queue head. The variable length packet protocol is not used on isochronous endpoints.

- NAK responses are not used. Instead, zero length packets are sent in response to an IN request to an unprimed endpoints. For unprimed Rx endpoints, the response to an OUT transaction is to ignore the packet within the device controller.
- Prime requests always schedule the transfer described in the dTD for the next (micro)frame. If the ISO-dTD is still active after that frame, then the ISO-dTD is held ready until executed or canceled by the DCD.

**Note:** If the MULT field is set to more packets than present in the dTD to be transmitted, the controller sends zero length packets to all extra incoming IN tokens and report fulfillment error (transaction error) in current dTD. If more dTD's exist in memory, the controller moves to the next dTD to be transmitted in the next (micro)frame. Because of this behavior it is recommended to always use the correct MULT matching the number of packets to be processed for a given dTD.

An EHCI compatible host controller uses the periodic frame list to schedule data exchanges to Isochronous endpoints. The operational model for the device controller does not use such a data structure. Instead, the same dTD used for Control/Bulk/Interrupt endpoints is also used for isochronous endpoints. The difference is in the handling of the dTD.

The first difference between bulk and iso endpoints is that priming an iso endpoint is a delayed operation such that an endpoint will become primed only after a SOF is received. After the DCD writes the prime bit, the prime bit will be cleared as usual to indicate to the DCD that the device controller completed a priming the dTD for transfer. Internal to the design, the device controller hardware masks that prime start until the next frame boundary. This behavior is hidden from the DCD but occurs so that the device controller can match the dTD to a specific (micro)frame.

Another difference with isochronous endpoints is that the transaction must wholly complete in a (micro)frame. Once an isochronous transaction is started in a (micro)frame it will retire the



corresponding dTD when MULT transactions occur or the device controller finds a fulfillment condition.

The transaction error bit set in the status field indicates a fulfillment error condition. When a fulfillment error occurs, the frame after the transfer failed to complete wholly, the device controller will force retire the iso dTD and move to the next iso dTD.

It is important to note that fulfillment errors are only caused due to partially completed packets. If no activity occurs to a primed iso endpoint, the transaction will stay primed indefinitely. This means it is up to the DCD to discard transmit iso dTD's that pile up from a failure of the host to move the data.

Finally, the last difference with iso packets is in the data level error handling. When a CRC error occurs on a received packet, the packet is not retried similar to bulk and control endpoints. Instead, the CRC is noted by setting the Transaction Error bit and the data is stored as usual for the application software to sort out.

## Tx Isochronous Packet Retired

The Tx Packet is retired when:

- MULT counter reaches 0.
- Fulfillment Error [Transaction Error bit is set]

# Packets Occurred > 0 AND # Packets Occurred < MULT

**Note:** For Tx isochronous endpoint, the MULT Counter can be loaded with a lesser value in the dTD Multiplier Override field. If the Multiplier Override is 0, the MULT Counter is initialized to the dQH.Mult field.

## Rx Isochronous Packet Retired

The Rx Packet is retired when:

- MULT counter reaches 0.
- Non-MDATA Data PID is received
- Overflow Error:

Packet received is > maximum packet length. [Buffer Error bit is set]

Packet received exceeds total bytes allocated in dTD. [Buffer Error bit is set]

- Fulfillment Error [Transaction Error bit is set]

# Packets Occurred > 0 AND # Packets Occurred < MULT

- CRC Error [Transaction Error bit is set]

**Note:** For isochronous transfers, when a dTD is retired, the next dTD is primed for the next frame. For continuous (micro)frame to (micro)frame operation the DCD should ensure that the dTD linked-list is out ahead of the device controller by at least two (micro)frames.

### Isochronous Pipe Synchronization

When it is necessary to synchronize an isochronous data pipe to the host, the (micro)frame number (read the FRINDEX register) can be used as a marker. To cause a packet transfer to occur at a specific (micro)frame number [N], the DCD should interrupt on SOF during frame N - 1. When the FRINDEX = N - 1, the DCD must write the prime bit. The device controller primes the isochronous endpoint in (micro)frame N - 1 so that the device controller executes delivery during (micro)frame N.

**Caution:** Priming an endpoint towards the end of (micro)frame N - 1 does not guarantee delivery in (micro)frame N. The delivery might actually occur in (micro)frame N+1 if device controller does not have enough time to complete the prime before the SOF for packet N is received.

### Isochronous Endpoint Bus Response

Table 15-10: USB Device Isochronous Endpoint Bus Response

Token Type	Stall Bit [TXS]	Endpoint Not Primed	Endpoint Primed	Buffer Underflow	Buffer Overflow	Endpoint Not Enabled
Setup	STALL	STALL	STALL	N/A	N/A	BTO
IN	NULL Packet	NULL Packet	Transmit	BS Error	N/A	BTO
OUT	Ignore	Ignore	Receive	N/A	Drop Packet	BTO
Ping	Ignore	Ignore	Ignore	Ignore	Ignore	BTO
Invalid	Ignore	Ignore	Ignore	Ignore	Ignore	BTO

## 15.6.5 Control Endpoint Operational Model

All requests to a control endpoint begin with a setup phase followed by an optional data phase and a required status phase. The device controller always accepts the setup phase unless the setup lockout is engaged.

### Lockout and Tripwire for Setup Packets

The setup lockout can be engage so that future setup packets from the host are ignored by the controller while the DCD retrieves the current setup packet. Lockout of setup packets ensures that while the DCD is reading the setup packet stored in the queue head data is not written as it is being read potentially causing an invalid setup packet.

The setup lockout mechanism can be disabled and a tripwire type semaphore will ensure that the setup packet payload is extracted from the queue head without being corrupted by an incoming setup packet. This is the preferred behavior because ignoring repeated setup packets due to long software interrupt latency would be a compliance issue.

The tripwire semaphore can ensure the proper addition of a new dTD to an active (primed) endpoint's linked list. The add dTD tripwire bit, usb.USBCMD [ATDTW] can be set and cleared by software. This bit can be cleared by hardware when its state machine is in a hazard region for which adding a dTD to a primed endpoint may go unrecognized.

## Setup Packet Handling using the Tripwire

Disable setup lockout by writing 1 to setup lockout mode, `usb.USBMODE [SLOM]` bit field; once at initialization. Setup lockout is not necessary when using the tripwire as described in the example below.

### Example: Setup Packet Handling using the Tripwire

After receiving an interrupt and inspecting `usb.ENDPTSETUPSTAT` register to determine that a setup packet was received on a particular pipe (i.e., the dQH was written to memory by the hardware):

1. **Setup the Tripwire Mechanism:** Write 1 to `usb.USBCMD [SUTW]`.
2. **Read the Setup Buffer:** Copy the contents of `dQH.SetupBuffer` into local software byte array.
3. **Test to see if another Setup Packet was received.** Read the tripwire bit `[SUTW]` again.
  - a. If `[SUTW] = 1` (not received), then continue to [step 4](#) and process the setup buffer.
  - b. If `[SUTW] = 0` (another packet received), then go to [step 1](#) and copy that setup buffer, too.
4. **Clear the Interrupt:** Write 1 to clear corresponding `usb.ENDPTSETUPSTAT` register bit.

A poll loop should be used to wait until `usb.ENDPTSETUPSTAT` transitions to 0 and before priming for the status/handshake phases.

The time from writing a 1 to `usb.ENDPTSETUPSTAT` register and reading back a 0 is very short (approximately 1 to 2 microsecond) so a poll loop in the DCD should not be harmful in most systems.

5. **Clear the Tripwire:** Write 0 to clear setup tripwire bit `usb.USBCMD [SUTW]`.
6. **Process setup packet:** Use the local software byte array copy and execute status/handshake phases.
7. **Check Endpoint status:** Before priming for status/handshake phases, ensure that the `usb.ENDPTSETUPSTAT` bit is = 0.

**Note:** After receiving a new setup packet, the status and/or handshake phases might still be pending from a previous control sequence. These should be flushed and deallocated before linking a new status and/or handshake dTD for the most recent setup packet.

## Data Phase

Following the setup phase, the DCD must create a device transfer descriptor for the data phase and prime the transfer.

After priming the packet, the DCD must verify a new setup packet has not been received by reading the `usb.ENDPTSETUPSTAT` register immediately verifying that the prime had completed. A prime completes when the associated bit in the `usb.ENDPTPRIME` register is 0 and the associated bit in the `usb.ENDPTSTATUS` register is a 1. If a prime fails, i.e., the `usb.ENDPTPRIME` bit goes to 0 and the `usb.ENDPTSTATUS` bit is not set, then the prime has failed. This can only be due to improper setup of the dQH, dTD or a setup arriving during the prime operation. If a new setup packet is indicated after the endpoint prime bit is cleared, then the transfer descriptor can be freed and the DCD must reinterpret the setup packet.

Should a setup arrive after the data stage is primed, the device controller automatically clears the prime status (usb.ENDPTSTATUS) to enforce data ordering with the setup packet.

**Note:** The dQH.Mult field must be set to 00 for bulk, interrupt, and control endpoints. Error handling of data phase packets is the same as bulk packets described previously.

### Status Phase

Similar to the data phase, the DCD must create a transfer descriptor (with byte length equal 0) and prime the endpoint for the status phase. The DCD must also perform the same checks of the usb.ENDPTSETUPSTAT as described above in the data phase.

**Note:** The dQH.Mult bit field must be set to 00 for bulk, interrupt, and control endpoints. Error handling of data phase packets is the same as bulk packets described previously.

### Control Endpoint Bus Response

The device controller response to packets on a control endpoint according to the device controller state is shown in Table 15-11. The normal operating mode is shaded.

Table 15-11: USB Device Control Endpoint Bus Response

Packet Identifier	Stall Bit [TXS]	Endpoint Not Primed	Endpoint Primed	Buffer Underflow	Buffer Overflow	Endpoint Not Enabled	Setup Lockout
Setup	ACK	ACK	ACK	N/A	SYSERR	BTO	
IN	STALL	NAK	Transmit	BS Error	N/A	BTO	N/A
OUT	STALL	NAK	Receive and then NYET/ACK	N/A	NAK	BTO	N/A
Ping	STALL	NAK	ACK	N/A	N/A	BTO	N/A
Invalid	Ignore	Ignore	Ignore	Ignore	Ignore	BTO	Ignore

**Notes:**

1. BS Error — Force Bit Stuff Error.
2. NYET/ACK — NYET unless the Transfer Descriptor has packets remaining according to the USB variable length protocol then ACK.
3. SYSERR — System error should never occur when the latency FIFOs are correctly sized and the DCD is responsive.
4. BTO — Bus Time Out.

## 15.7 Device Endpoint Descriptor Reference

This section contains the definitions of the endpoint descriptors for the device controller. There usages are described in other chapter sections, including section 15.5.1 Link-list Endpoint Descriptors.

- 15.7.1 Endpoint Queue Head Descriptor (dQH)
- 15.7.2 Endpoint Transfer Descriptor (dTD)

- 15.7.3 Endpoint Transfer Overlay Area

## 15.7.1 Endpoint Queue Head Descriptor (dQH)

The device Endpoint Queue Head (dQH) is where all device controller transfers are managed. The dQH is a 48-byte data structure, but must be aligned on 64-byte boundaries. During priming of an endpoint, the hardware reads the dQH and the first device transfer descriptor (dTD) from system memory and overlays it onto DWords 2 through 8 of the dQH as shown in Table 15-12.

Table 15-12: USB Device Queue Head (dQH) Descriptor Format

Reference	Type	31	30	29	28	27	26	25	24	23	22	21	20	19	18	17	16	15	14	13	12	11	10	9	8	7	6	5	4	3	2	1	0	DWord
Table 15-13		Mult	ZLT	0													Maximum Packet Length	IOS	0										0					
	Current Pointer	Current dTD Pointer															0										1							
Table 15-15	Transfer Overlay Area	Next dTD Pointer															0000										T	2						
		0	Total Bytes										IOC	C_Page	MultO	0										Status	3							
		Buffer Pointer (Page 0)										Current Offset										4												
		Buffer Pointer (Page 1)										reserved										5												
		Buffer Pointer (Page 2)										reserved										6												
		Buffer Pointer (Page 3)										reserved										7												
		Buffer Pointer (Page 4)										reserved										8												
Table 15-13		reserved															9																	
		Setup Buffer Bytes 3..0															10																	
		Setup Buffer Bytes 7..4															11																	

Device Controller Read/Write       Device Controller Read-only

Table 15-13: USB Device dQH DWords 0 to 11: Descriptor Bit Details

Bits	Description
<b>DWord 0: Endpoint Capabilities/Characteristics</b>	
31:30	High-Bandwidth Pipe Multiplier, <b>Mult</b> . This field is used to indicate the number of packets executed per transaction description as given by the following: <ul style="list-style-type: none"> <li>00: Execute N Transactions as demonstrated by the USB variable length packet protocol where N is computed using the Maximum Packet Length (dQH) and the Total Bytes field (dTD).</li> <li>01: Execute 1 Transaction.</li> <li>10: Execute 2 Transactions.</li> <li>11: Execute 3 Transactions.</li> </ul> Non-Isynchronous endpoints: must set Mult = 00. Isochronous endpoints: must set Mult = 01, 10, or 11 as needed.
29	Zero Length Termination Select, <b>ZLT</b> . This bit is used to indicate when a zero length packet is used to terminate transfers where total transfer length is a multiple. This bit is not relevant for Isochronous. <ul style="list-style-type: none"> <li>0: Enable zero length packet to terminate transfers equal to a multiple of the Maximum Packet Length.</li> <li>1: Disable the zero length packet on transfers that are equal in length to a multiple Maximum Packet Length.</li> </ul>
28:27	Reserved. Field reserved and should be set to 0.
26:16	<b>Maximum Packet Length</b> . This directly corresponds to the maximum packet size of the associated endpoint (wMaxPacketSize). The maximum value this field can contain is 400h (1,024).

Table 15-13: USB Device dQH DWords 0 to 11: Descriptor Bit Details (Cont'd)

Bits	Description
15	Interrupt On Setup, <b>IOS</b> . This bit is used on control type endpoints to indicate if USBINT is set in response to a setup being received.
14:0	Reserved. Field reserved and should be set to 0.
<b>DWord 1: Current dTD Pointer</b>	
31:5	<b>Current dTD Pointer.</b> Pointer to the dTD that is represented in the transfer overlay area. This field will be modified by the Device Controller to next dTD pointer during endpoint priming or queue advance. The current dTD pointer is used by the device controller to locate the transfer in progress. This word is for the Device Controller hardware's use only and should not be modified by the DCD.
4:0	Reserved. Field reserved and should be set to 0.
<b>DWords 2 to 8: Overlay Area</b> , refer to <a href="#">Table 15-15 USB Device Transfer Overlay</a> .	
<b>DWord 9:</b> reserved.	
<b>DWord 10: Setup Buffer Bytes 3:0</b>	
31:24	Byte 3
24:16	Byte 2
15:8	Byte 1
7:0	Byte 0

## 15.7.2 Endpoint Transfer Descriptor (dTD)

The dTD describes to the device controller the location and quantity of data to be sent/received for given transfer. The DCD should not attempt to modify any field in an active dTD except the Next dTD Pointer.

The dTD descriptors are illustrated in [Table 15-14](#). The fields are detailed in [Table 15-8](#) and described in section [15.7.3 Endpoint Transfer Overlay Area](#).

Table 15-14: USB Device Transfer Descriptor (dTD) Format

Reference	Type	31	30	29	28	27	26	25	24	23	22	21	20	19	18	17	16	15	14	13	12	11	10	9	8	7	6	5	4	3	2	1	0	DWord
Table 15-15	Transfer Overlay Area	Next dTD Pointer																										0000	T	0				
		0	Total Bytes										ioc	C_Page	MultO	0	Status										1							
		Buffer Pointer (Page 0)										Current Offset										2												
		Buffer Pointer (Page 1)										R	Frame Number										3											
		Buffer Pointer (Page 2)										reserved										4												
		Buffer Pointer (Page 3)										reserved										5												
		Buffer Pointer (Page 4)										reserved										6												

Device Controller Read/Write
  Device Controller Read-only

### 15.7.3 Endpoint Transfer Overlay Area

The dQH is read from memory by the controller and links to a dTD. The dTD is also read from memory and is written into the overlay area of the dQH as shown in [Table 15-15](#).

The seven DWords in the overlay area represent a transaction working space for the device controller. After an endpoint is readied, the dTD will be copied into this dQH overlay area by the device controller. Until a transfer is expired, the DCD must not write the queue head overlay area or the associated transfer descriptor. When the transfer is complete, the device controller will write the dTD back to system memory (with transfer status results added) and advance the queue pointer.

If the link list continues, then another dTD is fetched from memory and written into the transfer overlay area of the dQH. After the link list is processed, the dQH is written back to system memory and the endpoint servicing is completed.

The Overlay Transaction dQH DWords 2 through 8 are nearly identical to the dTD DWords 0 through 6 as shown in [Table 15-15](#).

#### Transfer Overlay Table

The transfer overlay DWords that are used in both dQH and dTD descriptors are listed in [Table 15-15 USB Device Transfer Overlay](#). The descriptions for Total Bytes and Multiplier Override fields are described in the beginning of this section.

Table 15-15: USB Device Transfer Overlay

Bits	Description	dTD DWord	dQH DWord
<b>Next dTD Pointer and Terminate.</b>		<b>0</b>	<b>2</b>
31:5	Next Transfer Element Pointer, <b>Next dTD Pointer</b> . System memory address [31:5] of the next dTD to be processed.		
4:1	Reserved. Field reserved and should be set to 0.		
0	Terminate transfer, <b>T</b> . <ul style="list-style-type: none"> <li>• 0: link to the Next dTD Pointer field; the address is valid.</li> <li>• 1: end the transaction, the Next dTD Pointer field is not valid.</li> </ul>		

Table 15-15: USB Device Transfer Overlay (Cont'd)

Bits	Description	dTD DWord	dQH DWord
<b>Total Bytes, MultO, and Status.</b>			
31	Reserved. Field reserved and should be set to 0.	<b>1</b>	<b>3</b>
30:16	<b>Total Bytes.</b> Total number of bytes to be moved with this transfer descriptor. Refer to section <a href="#">Total Bytes to Transfer Parameter</a> for more info.		
15	Interrupt On Complete, <b>IOC</b> . Indicates if USBINT is to be set in response to device controller being finished with this dTD.		
14:12	Current Page, <b>C_Page</b> . Reserved in Device mode.		
11:10	Multiplier Override, <b>MultO</b> . Used for transmit isochronous packets, refer to text.		
9:8	Reserved. Field reserved and should be set to 0.		
7:0	<b>Status.</b> This field is used by the device controller to communicate individual command execution status back to the DCD. This field contains the status of the last transaction performed on this dTD. Bit [7] <b>Active Status</b> . Bit [6] <b>Halted Status</b> . Bit [5] <b>Data Buffer Error Status</b> . Bit [3] <b>Transaction Error Status</b> . Other bits: reserved.		
<b>Buffer Pointer Page 0 and Current Offset</b>			
31:12	<b>Buffer Pointer.</b> 4KB aligned pointer to system memory address bits [31:12].	<b>2</b>	<b>4</b>
11:0	<b>Current Offset.</b>		
<b>Frame Number and Buffer Pointer Page 1</b>			
31:12	<b>Buffer Pointer.</b> 4KB aligned pointer to system memory address bits [31:12].	<b>3</b>	<b>5</b>
11	Reserved, <b>R</b> . Field reserved and should be set to 0.		
10:0	<b>Frame Number.</b> Written by the device controller to indicate the frame number in which a packet finishes. This is typically used to correlate relative completion times of packets on an iso endpoint.		
<b>Buffer Pointer Pages 2 to 4</b>			
31:12	<b>Buffer Pointer.</b> 4KB aligned pointer to system memory address bits [31:12].	<b>4 to 6</b>	<b>6 to 8</b>
11:0	Reserved. Field reserved and should be set to 0.		

### Multiplier Override (MultO) Bit Field

The total bytes field is used for both dQH and dTD descriptors and is also used for transmit iso IN endpoints to override the multiplier in the dQH. This field must be 0 for all packet types that are not transmit (IN) iso endpoints. For maximal efficiency, the DCD should compute  $MultO = \text{greatest integer of } (\text{Total Bytes} / \text{Max. Packet Size})$  except for the case when  $\text{Total Bytes} = 0$ ; then  $MultO$  should be set = 1.

#### Example 1: Send three packets

- **If** dQH.multiplier = 3; Max packet size = 8; Total Bytes = 15; dQH.Mult = 0 (default), **then** three packets are sent: Data2 (8) + Data1 (7) + Data0 (0).



### Example 2: Send two packets

- If `dQH.multiplier = 3`; Max packet size = 8; Total Bytes = 15; `dQH.Mult = 2`, then two packets are sent: Data1 (8) + Data0 (7).

### Buffer Pointer Pages

The buffer pointers are aligned to 4KB boundaries. The total bytes and buffer pointers are discussed in section [Total Bytes to Transfer Parameter](#).

### Total Bytes to Transfer Parameter

The Total Bytes bit field specifies the total number of bytes to be moved with the transfer descriptor. This field is decremented by the number of bytes actually moved during the transaction and only on the successful completion of the transaction. This bit field applies to:

- qTD for host mode, refer to section [15.12.5 Queue Element Transfer Descriptor \(qTD\)](#).
- dTD for device mode, refer to section [15.7.2 Endpoint Transfer Descriptor \(dTD\)](#).

The maximum value that the DCD may store in the field is 5 times 4 KB (5000h). This is the maximum number of bytes that 5 page pointers can reference. Although it is possible to create a transfer up to 20 KB this assumes the 1st offset into the first page is 0. When the offset cannot be predetermined, crossing past the 5th page can be guaranteed by limiting the total bytes to 16 KB. Therefore, the maximum recommended transfer is 16 KB (4000h).

### Device Mode Note

If the value of the Total Bytes bit field is 0 when the device controller fetches this transfer descriptor (and the active bit is set), the reaction of the device controller depends on the setting of the `dQH.ZLT` bit. Refer to section [15.6.3 Interrupt and Bulk Endpoint Operational Model](#).

- It is not a requirement for that Total Bytes To Transfer be an even multiple of Maximum Packet Length. If the DCD builds such a transfer descriptor for a transfer, the last transaction will always be less than Maximum Packet Length.

---

## 15.8 Programming Guide for Device Controller

The function of the device controller is to transfer a request in the memory image to and from the USB. The device controller programs and primes the endpoints based on the application protocol. The controller executes a set of linked list transfer descriptors, pointed to by a queue head that the device controller executes to perform the requested data transfers. The following sections explain the use of the device controller from the DCD point-of-view and further describe how specific USB bus events relate to status changes in the device controller's registers.

## 15.8.1 Software Model

The USB device controller API software provides a framework of routines to control the USB controller in device applications. The software should be designed to significantly simplify the software tasks required to develop a USB device application. The API software presents a high-level data transfer interface to the user's application code. All the register, interrupt and DMA interactions with the controller are managed by the API. The API also includes routines that handle all the USB device framework commands which are required for all USB devices.

## 15.8.2 USB Reset

After receiving a USB reset from the bus, the port enters the default FS or default HS state in accordance with the reset protocol described in Appendix C.2 of the USB Specification Rev. 2.0. The state diagram shown in [Figure 15-12](#) depicts the state of the controller in device mode.

## 15.8.3 Register Controlled Reset

To reset the controller, the DCD writes a 1 to the usb.USBCMD [RST] bit. When the reset process is completed, the controller hardware sets this bit to 0. Once the reset is started, the controller cannot stop the process. Writing a 0 has no effect.

Writing a 1 to the [RST] bit will reset the internal pipelines, timers, counters, and state machines to their initial value. Writing a 1 when the device is in the attached state is not recommended since the effects on an attached host are undefined. In order to ensure that the device is not in an attached state, all primed endpoints should be flushed and the usb.USBCMD [RS] bit should be set to 0.

---

# 15.9 Programming Guide for Device Endpoint Data Structures

This section describes how to manage the device endpoint data structures. These are images written in system memory that are accessed by the controller to service USB transaction initiated by the host. These structures are the basis for the device controller functions.

## 15.9.1 Device Controller Initialization Overview

After hardware reset, the device is disabled until the Run/Stop bit is set to a 1. In the disabled state, the pull-up on the USB D+ is not active which prevents an attach event from occurring. At a minimum, it is necessary to have the queue heads setup for endpoint 0 before the device attach occurs. Shortly after the device is enabled, a USB reset occurs followed by setup packet arriving at endpoint 0. A Queue head must be prepared so that the device controller can store the incoming setup packet.

In order to initialize a device, the DCD should perform the following steps:

1. **Set the controller to device mode.** Write 10 to the usb.USBMODE [CM] bit.
  - Transitioning from host mode to device mode requires a device controller reset before modifying USBMODE.
  - Set usb.OTGSC [OT] bit = 1.
2. **Allocate and initialize dQH's.**
  - Minimum: Initialize dQH's for endpoint 0 for Tx and Rx.
  - All control endpoint queue heads must be initialized before the control endpoint is enabled. Non-control queue heads must be initialized before the endpoint is used and not necessarily before the endpoint is enabled.
  - For information on device queue heads, refer to section [15.7.1 Endpoint Queue Head Descriptor \(dQH\)](#).
3. **Configure the Endpoint List Address.** Write the memory address for the Queue Head endpoint list into the usb.\_ENDPOINTLISTADDR [31:11] bit field.
4. **Enable the software interrupt.**
  - Enable IRQ interrupt signal in GIC (ID#53 for USB 0 and ID#76 for USB 1).
  - Enable device interrupts in the usb.USBINTR register:
    - USB interrupt [UI]
    - USB Error Interrupt [UEI]
    - Port change detect [PCI]
    - USB Reset received [URI]
    - DCSuspend [SLI]
  - For a list of available interrupts refer to [Table 15-2 USB Interrupt and Status Register Bits](#).
5. **Enable Run mode.** Set Run/Stop bit to Run Mode.
  - After the run bit is set, a device USB reset occurs. The DCD must monitor the reset event and adjust the DCD state as described in the Bus Reset section of the following Port State and Control section below.
  - Endpoint 0 is designed as a control endpoint only and does not need to be configured using ENDPTCTRL0 register.
  - It is also not necessary to initially prime Endpoint 0 because the first packet received will always be a setup packet. The contents of the first setup packet will require a response in accordance with USB device framework (Chapter 9) command set.

## 15.9.2 Manage Transfer Descriptors

The function of the endpoint is to instruct the DMA engine to move data between system memory and the Tx and Rx FIFOs. Each endpoint has two data structures: one for IN and the other for OUT data transfers. The device mode data structures include a device Queue Head (dQH) and one or more device Transfer Descriptors (dTd). The dQH defines the type of data transfer and points to the first dTd. The dTd includes a system address pointer to the memory buffer(s) where data is either stored or read from.

The dQH's are indexed (two for each endpoint) in the 24-element Endpoint Queue Head List. To setup a transfer, software constructs the dQH and dTD(s) for an IN or OUT operation. Software must maintain a consistent set of descriptors, schedules/lists, and data buffers in system memory for the controller. When the endpoint is ready to receive or send the data, software primes the endpoint.

When an endpoint is primed, the device controller reads the associated dQH and dTD into the controller's dual-port RAM for easy access by the DMA and protocol engines. When the DMA for a dTD is done, the controller writes the dTD back to system memory with transfer results (status). If the terminate bit, T = 0 (do not terminate) then the controller fetches and processes the next dTD from system memory. If T = 1, then the controller stops processing the endpoint dQH and writes the dQH back to system memory. In a long link-list the controller will repeatedly cause the controller to read and write dTD's between system memory the controller's dual-port RAM.

### Example: Initialize dQH

One pair of device queue heads must be initialized before an endpoint is primed to respond to the host. To initialize a device queue head (dQH):

1. Write the wMaxPacketSize field as required by the USB specification Chapter 9 or application specific protocol.
2. Write the multiplier field to 0 for control, bulk, and interrupt endpoints. For IsoUSB endpoints, set the multiplier to 1, 2, or 3 as required bandwidth and in conjunction with the USB Chapter 9 protocol. Note: In FS mode, the multiplier field can only be 1 for IsoUSB endpoints.
3. To terminate the Transfer: Set T = 1 in the Terminate bit of the next dTD.
4. Write the Active bit in the status field to 0.
5. Write the Halt bit in the status field to 0.

**Note:** The DCD must only modify dQH if the associated endpoint is not primed and there are no outstanding dTD's.

### Example: Operational Model for Setup Transfers

As discussed in [15.6.5 Control Endpoint Operational Model](#), setup transfer requires special treatment by the DCD. A setup transfer does not use a dTD but instead stores the incoming data from a setup packet in an 8-byte buffer within the dQH.

1. Copy setup buffer contents from dQH - Rx to software buffer.
2. Acknowledge setup packet by writing a 1 to the corresponding bit in usb.ENDPTSETUPSTAT.
  - a. The acknowledge must occur before continuing to process the setup packet.
  - b. After the acknowledge has occurred, the DCD must not attempt to access the setup buffer in the dQH - Rx. Only the local software copy should be examined.
3. Check for pending data or status dTD's from previous control transfers and flush if any exist as discussed in section Flushing/De-priming an Endpoint.
  - a. It is possible for the device controller to receive setup packets before previous control transfers complete. Existing control packets in progress must be flushed and the new control packet completed.

1. Decode setup packet and prepare data phase (optional) and status phase transfer as required by the USB Chapter 9 or application specific protocol.

### 15.9.3 Manage Transfers with Transfer Descriptors

#### Example: Build a Transfer Descriptor

Before a transfer can be executed, a dTD must be built to describe the transfer. Use the following procedure for building dTD's. To hold the 8-DWord dTD in memory, allocate a 32-Byte block of system memory aligned to a 32-Byte boundary (address [4:0] = 00000).

Write the following fields:

1. Initialize first 7 DWords. Write 0 all bits in all DWords.
2. Program the Terminate Bit. If only one dTD or its the last dTD, set the terminate bit to 1.
3. Fill in total bytes with transfer size.
4. Set the interrupt on complete if desired.
5. Initialize the status field with the active bit set to 1 and all remaining status bits set to 0.
6. Fill in buffer pointer page 0 and the current offset to point to the start of the data buffer.
7. Initialize buffer pointer page 1 through page 4 to be one greater than each of the previous buffer pointer.

#### Example: Execute a Transfer Descriptor

To safely add a dTD, the DCD must be follow this procedure which will handle the event where the device controller reaches the end of the dTD list at the same time a new dTD is being added to the end of the list.

**Determine whether the link list is empty:** Check to see if pipe is empty (internal software representation of linked-list should indicate if any packets are outstanding).

##### Case 1: Link list is empty

1. Write dQH next pointer and the dQH terminate bit to 0 as a single DWord operation.
2. Clear active and halt bit in dQH (in case set from a previous error).
3. Prime endpoint by writing 1 to correct bit position in usb.ENDPTPRIME.

##### Case 2: Link list is not empty

1. Add dTD to end of linked list.
2. Read correct prime bit in usb.ENDPTPRIME - if 1 DONE.
3. Set the usb.USBCMD [ATDTW] bit = 1.
4. Read correct status bit in usb.ENDPTSTAT. (store in tmp. variable for later)
5. Read usb.USBCMD [ATDTW] bit.

If 0 go to [step 3](#).  
 If 1 continue to [step 6](#).

6. Write usb.USBCMD [ATDTW] bit = 0.
7. If status bit read in (4) is 1 DONE.
8. If status bit read in (4) is 0 then Goto Case 1: [step 1](#).

### Transfer Completion

After a dTD has been initialized and the associated endpoint primed the device controller will execute the transfer upon the host-initiated request. The DCD will be notified with a USB interrupt if the interrupt on complete bit was set or alternately, the DCD can poll the endpoint complete register to find when the dTD had been executed. After a dTD has been executed, the DCD can check the status bits to determine success or failure.

**Caution:** Multiple dTD can be completed in a single endpoint complete notification. After clearing the notification, the DCD must search the dTD linked list and retire all dTD's that have finished (Active bit cleared).

By reading the status fields of the completed dTD's, the DCD can determine if the transfers completed successfully. Success is determined with the following combination of status bits:

```
Active = 0
Halted = 0
Transaction Error = 0
Data Buffer Error = 0
```

Should any combination other than the one shown above exist, the DCD must take proper action. Transfer failure mechanisms are indicated in the device error matrix.

In addition to checking the status bit, the DCD must read the Transfer Bytes field to determine the actual bytes transferred. When a transfer is complete, the Total Bytes transferred is decremented by the actual bytes transferred. For Transmit packets, a packet is only complete after the actual bytes reach 0, but for receive packets, the host might send fewer bytes in the transfer according the USB variable length packet protocol.

### Example: Flushing/De-priming an Endpoint

It is necessary for the DCD to use the flush bit(s) to de-prime one or more endpoints when a USB device reset is received or when a broken control transfer occurs. There can also be application specific requirements to stop transfers in progress. The following procedure can be used by the DCD to stop a transfer in progress and ensure the transfer has stopped:

1. Write a 1 to the corresponding bit(s) in usb.ENDPTFLUSH.
2. Wait until all bits in usb.ENDPTFLUSH are 0.

**Software interrupt routine note:** This operation can take a large amount of time depending on the USB bus activity. It is not desirable to have this wait loop within an interrupt service routine.

3. Read usb.ENDPTSTAT to ensure that for all endpoints commanded to be flushed, that the corresponding bits are now 0. If the corresponding bits are 1 after step #2 has finished, then the

flush failed: in very rare cases, a packet is in progress to the particular endpoint when commanded flush using usb.ENDPTFLUSH. A safeguard is in place to refuse the flush to ensure that the packet in progress completes successfully. The DCD might need to repeatedly flush any endpoints that fail to flush by repeating steps 1–3 until each endpoint is successfully flushed.

**Note:** A time out counter can be programmed to recover from when an endpoint flush fails.

## Device Errors

Table 15-16 summarizes packet errors that are not automatically handled by the device controller.

Table 15-16: USB Device Errors

Error	Direction	Packet Type	Data Buffer Error Bit (dTD.Status bit 5)	Transaction Error Bit (dTD.Status bit 3)	Description
Overflow	Rx	Any	1	0	Number of bytes received exceeded max. packet size or total buffer length. This error will also set the Halt bit in the dQH and if there are dTD's remaining in the linked list for the endpoint, then those will not be executed.
Isochronous Packet	Rx	Iso	0	1	CRC Error on received isochronous packet. Contents not guaranteed to be correct.
Isochronous Fulfillment	Both	Iso	0	1	Host failed to complete the number of packets defined in the dQH.Mult field within the given (micro)frame. For scheduled data delivery the DCD might need to readjust the data queue because a fulfillment error will cause Device Controller to cease data transfers on the pipe for one (micro)frame. During the "dead" (micro)frame, the Device Controller reports error on the pipe and primes for the following frame.

Notice that the device controller handles all errors on Bulk/Control/Interrupt Endpoints except for a data buffer overflow. However, for IsoUSB endpoints, errors packets are not retried and errors are tagged as indicated.

### 15.9.4 Service Device Mode Interrupts

**Note:** The interrupt service routine must consider that there are high-frequency, low-frequency operations, and error interrupts. It is likely that multiple interrupts will stack up on a call to the Interrupt Service Routine (ISR) and then during the execution of the interrupt service routine.

The interrupt handling strategy is up to the user. The ISR can poll the high-frequency and then low-frequency interrupts before exiting. If another interrupt is detected and processed, then the ISR would perform another 'last scan' of the interrupts before exiting.

#### High-Frequency Interrupts

High frequency interrupts, in particular, should be handed in the order shown in Table 15-17. The most important of these are the first two, 1a and 1b. They have equal priority because the software

must acknowledge a setup token in the timeliest manner possible to have the control endpoint and buffer always available for another Setup token. The SOF interrupt is next important.

Table 15-17: USB Device High Frequency Interrupt

Execution Order	Interrupt	usb.USBSTS	Action
1a	USB Interrupt ENDPTSETUPSTATUS	[UI]	Copy contents of setup buffer and acknowledge setup packet. Process setup packet according to USB 2.0 Chapter 9 or application specific protocol.
1b	USB Interrupt ENDPTCOMPLETE	[UI]	Handle completion of dTD.
2	SOF Interrupt	[SRI]	Action as deemed necessary by application. This interrupt might not have a use in all applications.

### Low-Frequency Interrupts

The low frequency events include the following interrupts. These interrupt can be handled in any order since they do not occur often in comparison to the high-frequency interrupts.

Table 15-18: USB Low-Frequency Interrupt

Interrupt	usb.USBSTS	Action
Port Change	[PCI]	Change the software state information.
Suspend	[SLI]	Change the software state information.
Reset Received	[URI]	Change the software state information. Abort pending transfers.

### Error Interrupts

Error interrupts will be least frequent and should be placed last in the interrupt service routine.

Table 15-19: USB Device Error Interrupt

Interrupt	usb.USBSTS	Action
USB Error	[UEI]	This error is redundant because it combines USB Interrupt and an error status in the dTD. The DCD will more aptly handle packet-level errors by checking dTD status field upon receipt of USB Interrupt (with ENDPTCOMPLETE).
System Error	[SEI]	Unrecoverable error. Immediate Reset of controller, free transfers buffers in progress and restart the software.



## 15.10 Host Mode Data Structures

The programming model follows the EHCI specification model and includes additional registers and bits to support a virtual transaction translator that is embedded into the DMA and protocol engines of the high speed host controller.

The Rx and Tx data FIFOs must respond to the USB in real-time. Packet sizes can be up to 1024 bytes. The transfer descriptors must have memory bandwidth for accessing descriptors and DMA to/from the FIFOs.

The embedded transaction translator uses QH and qTD descriptors for interrupt endpoints and siTD's for isochronous endpoints.

The host controller is a schedule driven environment of periodic (interrupt / isochronous) and asynchronous (control / bulk) data transfers.

### EHCI Enhancements and Deviations

These are listed in section [15.11 EHCI Implementation](#).

### Transfer Schedules

The structures of the Transfer Schedules are defined in the EHCI specification.

### Suspend and Resume

The programming model for suspend and resume is defined in the EHCI specification.

### 15.10.1 Host Controller Transfer Schedule Structures

The host controller uses two types of schedules to communicate control, status, and data between the HCD and the EHCI-compatible host controller in support of USB functions: periodic and asynchronous. The HCD writes the data structures for these schedules in to system memory (32-bit address space) and the controller hardware reads and modifies these structures as it executes the transaction schedules.

The periodic schedule includes the periodic frame list which is the root of all periodic (isochronous and interrupt transfer type) transfers, refer to section [15.10.2 Periodic Schedule](#).

The asynchronous schedule includes the bulk and control queue heads list which is a circular set of pointers which are at the root of all the bulk and control transfer types, refer to section [15.10.3 Asynchronous Schedule](#).

The host controller uses different types of descriptors for the periodic and asynchronous schedules in support of the Isochronous, Interrupt, Control and Bulk transfers as described in section [15.12.1 Descriptor Usage](#).

- Isochronous data streams are managed using isochronous transaction descriptors (iTd).

- Isochronous split transaction data streams are managed with split-transaction isochronous transfer descriptors (siTD).
- Interrupt, Control, and Bulk data streams are managed via queue heads (QH) and queue element transfer descriptors (qTD). These data structures are optimized to reduce the total memory footprint of the schedule and to reduce (on average) the number of memory accesses needed to execute a USB transaction.

## 15.10.2 Periodic Schedule

The periodic schedule provides interrupt and isochronous transfers by using the Periodic Frame list of elements and transfer descriptors as shown in Figure 15-15.

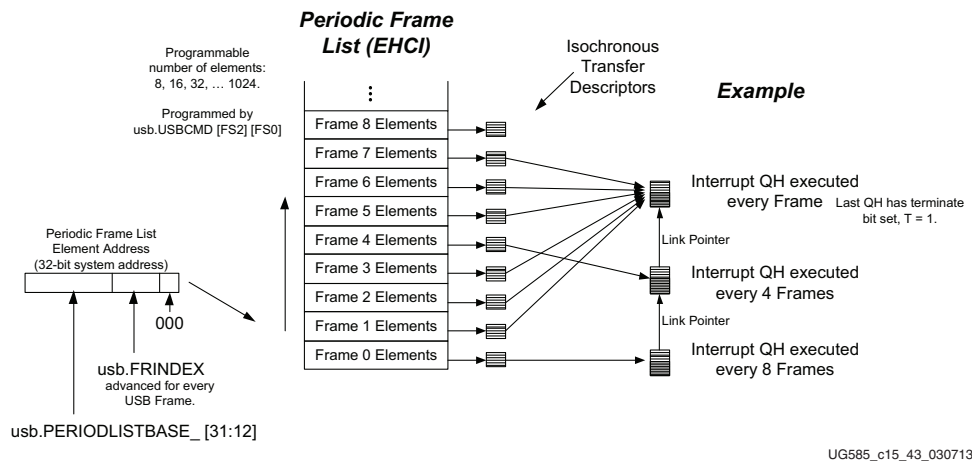


Figure 15-15: USB Host Periodic Schedule with Example

### Periodic Frame List

The host controller uses the Periodic Frame List to schedule isochronous and interrupt transfers. The periodic frame list is written into memory by the HCD. The host controller hardware reads the elements using the usb.PERIODICLISTBASE\_ base address and the FRINDEX index registers. The current element within the periodic frame list is pointed to by the FRINDEX register. The Periodic Frame List implements a sliding window of work over time.

**Note:** The periodic frame list is a 4 KB page-aligned array for pointers to Isochronous and interrupt transfer descriptors. The length of the frame list is programmable: 8, 16, 32, 64, 128, 256, 512, or 1024 elements using the usb.USBCMD [FS2] and [FS0] bit fields. When [FS2] is set = 0, then the EHCI programming model: 256, 512 and 1024 elements can be used in [FS0]. The length of the frame list affects the amount of system memory to allocate and the number of periodic transactions that can be queued.

The HCD writes the memory address of the first element in the periodic frame list in the usb.PERIODICLISTBASE\_ [PERBASE\_] bit field. The controller begins processing the periodic frame list when the (micro)frame time stamp occurs.

Table 15-20: USB Host Periodic Frame List Element Bit Fields

Bits	Bit Field	Description
31:5	Pointer	Frame List Link Pointer (system memory pointer, 32-byte aligned): The referenced object might be: <ul style="list-style-type: none"> <li>• an isochronous transfer descriptor (iTd for HS devices),</li> <li>• a split-transaction isochronous transfer descriptor (siTD for FS isochronous endpoints), or</li> <li>• a queue head (QH for FS/LS/HS interrupts).</li> </ul>
4:3	reserved	Set = 00.
2:1	TYP	Transaction Descriptor Type, <b>TYP</b> . Refer to section <a href="#">15.12.2 Transfer Descriptor Type (TYP) Field</a> .
0	T	Terminate Linking, <b>T</b> : 0: Continue linking using Frame List Link Pointer. 1: Terminate transaction (done), host controller ignores the link pointer.

**Note:** The HCD should write only periodic schedule items (QH, iTD, siTD, FSTN) into the periodic schedule. When using QH, it is an interrupt endpoint.

### 15.10.3 Asynchronous Schedule

The asynchronous schedule includes a circular list of queue heads for control and bulk transfers. The host controller executes the data transfers after the periodic schedule is handled. This happens:

- after the controller processes the periodic list
- the periodic list is disabled, or
- the periodic list is empty.

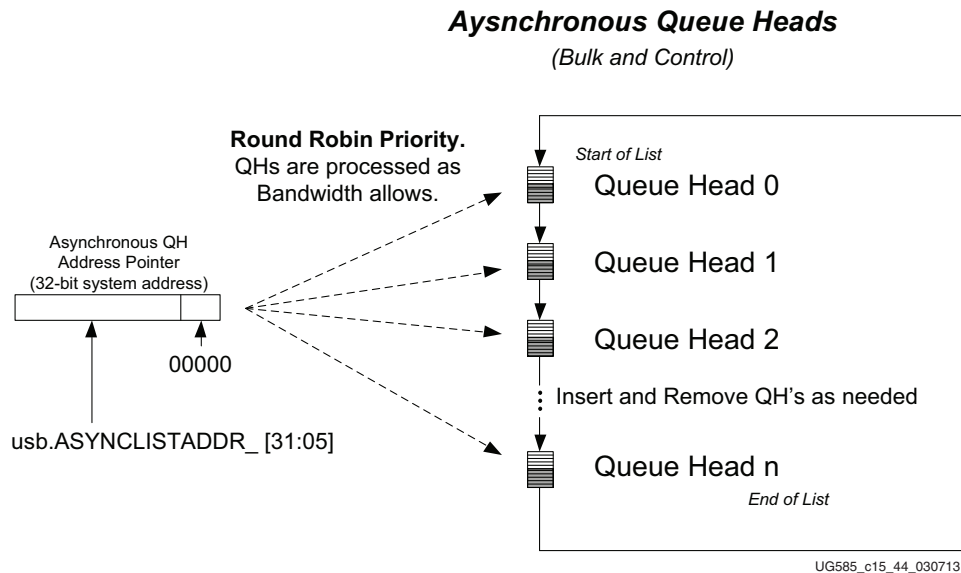


Figure 15-16: USB Host Controller Asynchronous Schedule Organization

The asynchronous list is a simple circular list of queue heads that are aligned on 32-byte address boundaries. The `usb.ASYNCLISTADDR_[31:5]` bit field is a pointer to the next queue head. This bit field is initialized by software. Hardware uses this field to traverse the Asynchronous schedule. Hardware does not modify this field. The Asynchronous schedule implements a pure round-robin service for the queue heads. Each queue head has one or more transfer descriptors (qTD's). The number of queue heads in the circular can be added to and reduced. The number of QH's is not limited by the EHCI specification.

## 15.11 EHCI Implementation

The host controller utilizes the programming mode of the Intel EHCI 1.0 specification. This includes register models and host functionality.

### 15.11.1 Overview

The host controller operational mode is nearly compatible with the EHCI 1.0 specification. There are a few differences and enhancements to handle an FS/LS link:

- Embedded Transaction Translator
- EHCI Reserved Bits
- No PCI registers
- SOF Interrupt

## Embedded Transaction Translator

The host controller uses the DMA and protocol engines to emulate the transaction translator (TT) for FS/LS devices attached to Zynq. The *embedded* transaction translator (TT) affects multiple functions in the host controller:

- Discovery Mechanism, refer to section [15.11.3 EHCI Functional Changes for the TT](#)
- FS/LS Data Structures, refer to section [15.11.6 FS/LS Data Structures](#)
- Operational Model of the TT, refer to section [15.11.7 Operational Model of the TT](#)
- Capability and Operational registers/bits, refer to section [15.11.3 EHCI Functional Changes for the TT](#)
- PHY Rx Commands, refer to section [15.11.3 EHCI Functional Changes for the TT](#)

The embedded transaction translator is described in section [15.11.2 Embedded Transaction Translator](#).

## EHCI Reserved Bits

EHCI reserved fields should be set to zero, except those that are assigned to other functions. The register set is summarized in section [15.3.4 Register Overview](#) and detailed in Appendix B.

## No PCI Bus Registers

This controller does not have a PCI Interface and the PCI configuration registers described in the EHCI specification are not applicable (e.g., the frame adjustment register is not supported; the starts of the microframes are timed by the controllers timers to deliver 125-microsecond intervals based on the 60 MHz clock from the ULPI PHY).

## SOF Interrupt

This SOF Interrupt a free running 125-microsecond interrupt for the host controller. EHCI does not specify this interrupt but it has been added for convenience and as a potential an HCD time base. The interrupt is indicated and enabled in the USBSTS and USBINTR registers.

## Capability Register Bit Fields Added

The following additions have been added to the capability registers:

- usb.HCSPARAMS [N\_TT]
- usb.HCSPARAMS [N\_PTT]

## Operational Register and Bit Field Added

The following additions have been added to the operational registers:

- TTCTRL is a new register.
- Addition of two-bit Port Speed: usb.PORTSC1 [PSPD].

## 15.11.2 Embedded Transaction Translator

The host controller emulates one transaction translator (TT) with up to 16 periodic (Iso/Int) contexts and 2 asynchronous (bulk/ctrl) contexts. The TT allows FS/LS devices to be attached directly to the controller in host mode without the need for hardware to implement a companion controller.

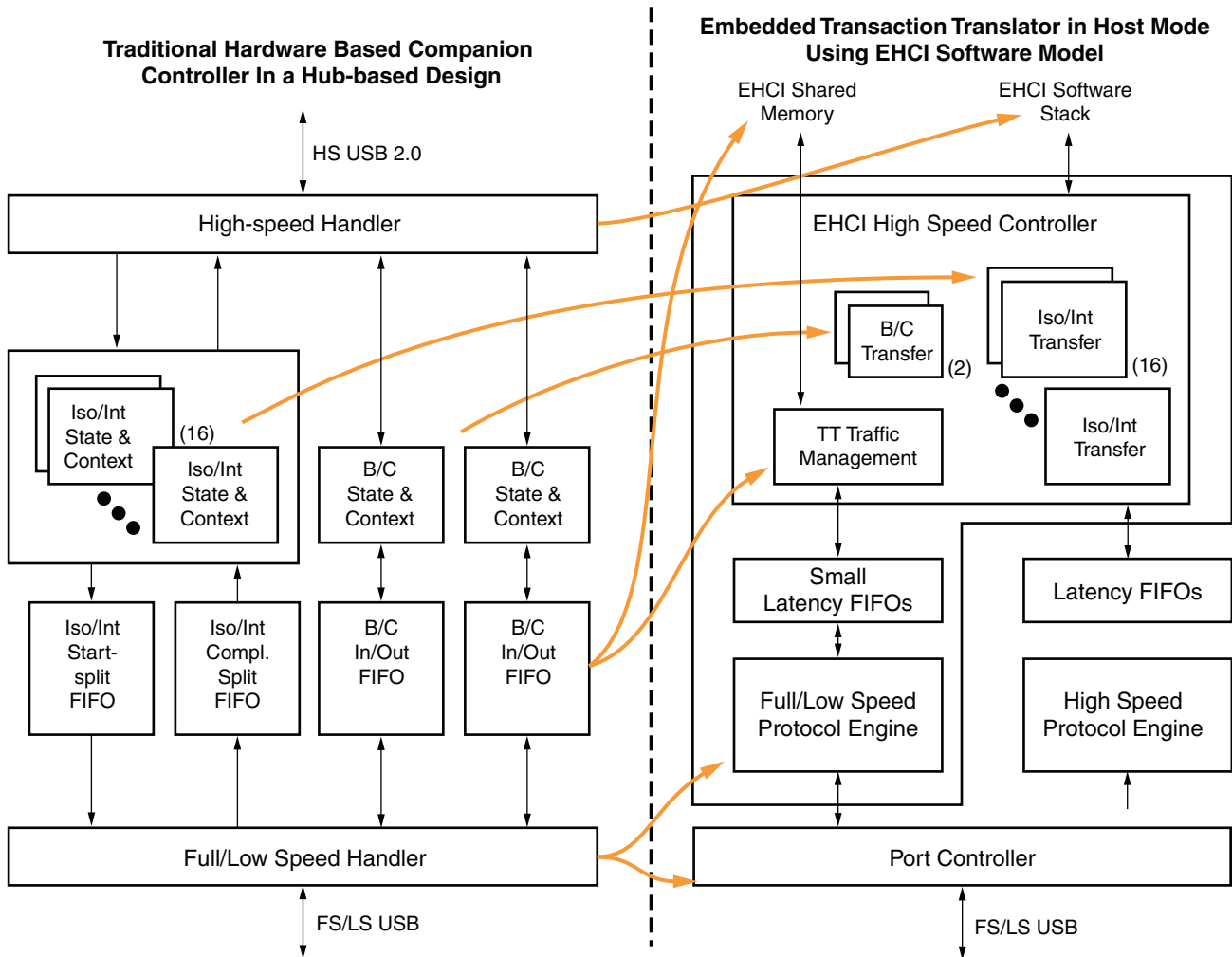
The transaction translator is modeled as an extension to EHCI specification by making use of the standard data structures and operational models that exist in the EHCI specification. The TT is responsible for:

- All error checking
- Field generation checking
- Formatting of all the necessary handshake actions
- Ping and data response packets on the bus

For any signal that must be generated based on a USB based time in the host controller, the protocol engine also generates all of the token packets required by the USB protocol.

There is no separate transaction translator hardware to handle FS/LS protocols. The transaction translator function implemented within the DMA and the protocol engine blocks to support direct connection to LS and FS devices.

### Functional Block Diagram



UG585\_c15\_11\_030413

Figure 15-17: USB Host Embedded Transaction Translator Implementation

On the left side of Figure 15-17 is a typical hub implementation with a companion transaction translator controller. It shows two ongoing asynchronous transactions capable of ping-pong access from each end. Periodic traffic is aggregated into a single data stream for each direction while a table of state and context for each pipe is stored within the transaction translator.

The right side of Figure 15-17 shows how the same functions have been integrated into the host controller. The advantage of integrating those functions into the host controller is that the changes to the EHCI host controller driver (HCD) are minimal while allowing direct connection of FS and LS devices without the need for a companion controller or external USB 2.0 hub. In addition, the host controller with the transaction translator requires less local data storage than a hub-based transaction translator because the data storage is provided by main memory instead of hardware-based RAM. The host controller supports 16 periodic contexts and 2 asynchronous contexts.

### 15.11.3 EHCI Functional Changes for the TT

This section includes:

- Port Reset Timer to off-load software
- Port Speed detection

In a standard EHCI controller design, the Host controller driver (HCD) detects a full-speed or low-speed device by noting if the port enable bit is set after the port reset operation. The port enable is set after the port reset operation when the host and device negotiate a High-Speed connection (i.e., chirp completes successfully).

Because the controller emulates a transaction translator (TT), the port enable is always set after the port reset operation regardless of the result of the host device chirp result. The resulting port speed is indicated by the usb.PORTSC1 [PSPD] bit field.

Therefore, a standard EHCI HCD requires alteration to handle direct connection to Full and Low speed devices or hubs. The changes are fundamental and summarized in [Table 15-21](#).

Table 15-21: EHCI HCD Alteration

Function	Standard EHCI	Embedded Transaction Translator
Hub Speed	After port enable bit is set following a connection and reset sequence, the device/hub is assumed to be HS.	After port enable bit is set following a connection and reset sequence, the device (hub) speed is noted from PORTSC1.
FS/LS devices	FS and LS devices are assumed to be downstream from a HS hub thus, all port-level control is performed through the Hub Class to the nearest Hub.	FS/LS device can be either downstream from an HS hub or directly attached. When its downstream, then port-level control is done using the Hub Class through the nearest Hub. When a FS/LS device is directly attached, then port-level control is accomplished using PORTSC1.
Split Target	FS and LS devices are assumed to be downstream from a HS hub with HubAddr=X; where HubAddr > 0 and HubAddr is the address of the Hub where the bus transitions from HS to FS/LS (i.e. Split target hub).	FS/LS device can be either downstream from a HS hub with HubAddr = X [HubAddr > 0] or directly attached; where HubAddr = [TTHA]. [TTHA] is programmable and defaults to 0. HubAddr is the address of the Root Hub where the bus transitions from HS to FS/LS (i.e. Split target hub is the root hub).

### 15.11.4 Port Reset Timer Enhancement

The port connect methods specified by EHCI require setting the port reset bit in the PORTSC register for a duration of 10 ms. The controller has timers that can count the 10 ms reset pulse to alleviate the requirement of the HCD to control this timing. The basic connection for the HCD software:

#### Example: Port Reset Timer for Discovery

This example show a simple attach event and the step that is made optional because of the Port Reset Timer feature.

1. **Wait for device to attach.** Receive a port connect change [Port Change Interrupt].



2. **Reset the device.** Writes a 1 to the usb.PORTSC1 [PR] bit. assumes the
3. **Optional Step to de-assert Reset.** The HCD normally writes a 0 to the [PR] bit to de-assert the reset after 10 ms. This step, which is necessary in a standard EHCI design, can be omitted. Should the EHCI HCD attempt to write a 0 to the reset bit while a reset is in progress, the write is ignored and the reset continues until completion.
4. **Wait for device to be operational.** Receive the [PCI] interrupt to indicate the Port Enable Change. The device is now operational and at this point the port speed has been determined.

### 15.11.5 Port Speed Detection Mechanism

After the port change interrupt indicates that a port is enabled, the EHCI stack should determine the port speed. Unlike the EHCI implementation which re-assign the port owner for any device that does not connect at High-Speed, this host controller supports direct attach of non High-Speed devices. Therefore, the following differences are important regarding port speed detection:

- Port owner is read-only and always reads 0.
- A 2-bit port speed indicator (PSPD) has been added to PORTSC1 to provide the current operating speed of the port to the HCD.
- A 1-bit High Speed indicator (HSP) has been added to PORTSC1 to signify that the port is in High-Speed vs. Full/Low Speed - This information is redundant with the 2-bit Port Speed indicator above.

### 15.11.6 FS/LS Data Structures

The data structures used by the TT for FS/LS transactions are similar to an HS hub. The hub address and endpoint speed fields should be set for directly attached FS/LS devices and hubs:

- QH (FS/LS)- Asynchronous (Bulk and Control endpoints) and Periodic (Interrupt endpoint)
  - Hub Address = TTHA (default TTHA = 0)
  - Transactions to directly attached device or hub.
    - QH.EPS = Port Speed (for both FS and LS)
  - Transactions to a device downstream from direct attached HS hub.
    - QH.EPS = Downstream Device Speed
  - Maximum Packet Size must be less than or equal 64 or undefined behavior might result.
  - When QH.EPS = 01 (LS) and usb.PORTSC1 [PSPD] = 00 (FS), a LS-pre-PID will be sent before the transmitting LS traffic.
- siTD (FS) - Periodic (ISO endpoint)
  - All FS IsoUSB transactions:
    - Hub Address = (default TTHA = 0)
    - siTD.EPS = 00 (full speed)
  - Maximum Packet Size must less than or equal to 1023 or undefined behavior might result.

**Note:** FSTN data structures are used for FS and LS devices that are downstream of a high speed hub (not when FS or LS device is connected directly to the host controller.)

## 15.11.7 Operational Model of the TT

The operational models are well defined for the behavior of the transaction translator (see *USB 2.0 specification*) and for the EHCI controller to move packets between system memory and a USB-HS hub. Since the transaction translator exists within the host controller there is no physical bus between EHCI HCD and the USB FS/LS bus. These sections briefly discuss the operational model for how the EHCI and transaction translator operational models are combined without the physical bus between. The following sections assume the reader is familiar with both the EHCI and USB 2.0 transaction translator operational models.

### Microframe Pipeline

The EHCI operational model uses the concept of H-frames and B-frames to describe the pipeline between the Host (H) and the Bus (B). The embedded transaction translator shall use the same pipeline algorithms specified in the USB 2.0 specification for a Hub-based Transaction Translator.

All periodic transfers always begin at B-frame 0 (after SOF) and continue until the stored periodic transfers are complete. As an example of the microframe pipeline implemented in the embedded transaction translator, all periodic transfers that are tagged in EHCI to execute in H-frame 0 will be ready to execute on the bus in B-frame 0.

It is important to note that when programming the S-mask and C-masks in the EHCI data structures to schedule periodic transfers for the embedded transaction translator, the EHCI HCD must follow the same rules specified in EHCI for programming the S-mask and C-mask for downstream hub-based transaction translators.

Once periodic transfers are exhausted, any stored asynchronous transfer will be moved. Asynchronous transfers are opportunistic in that they shall execute whenever possible and their operation is not tied to Hframe and B-frame boundaries with the exception that an asynchronous transfer cannot babble through the SOF (start of B-frame 0.)

### Split Transfer State Machines

When the controller attaches to a downstream FS/LS device via an HS hub, the controller can initiate split transfers to allow for traffic to other devices to be intertwined.

The start and complete split operational model differs from EHCI slightly because there is no bus medium between the EHCI controller and the embedded transaction translator. Where a start or complete-split operation would occur by requesting the split to the HS hub, the start/complete split operation is simple an internal operation to the embedded transaction translator. [Table 15-22](#) summarizes the conditions where handshakes are emulated from internal state instead of actual handshakes to HS split bus traffic.

Table 15-22: USB Handshake Emulation Conditions

Condition	TT Response
Start-Split: All asynchronous buffers full.	NAK
Start-Split: All periodic buffers full.	ERR
Start-Split: Success for start of async. transaction.	ACK

Table 15-22: USB Handshake Emulation Conditions (Cont'd)

Condition	TT Response
Start-Split: Start periodic transaction.	No Handshake (OK)
Complete-Split: Failed to find transaction in queue.	Bus Time Out
Complete-Split: Transaction in queue is busy.	NYET
Complete-Split: Transaction in queue is complete.	Actual Handshake

### Asynchronous Transaction Scheduling and Buffer Management

The following USB 2.0 specification items are implemented in the Transaction Translator:

- USB 2.0 - 11.17.3 Sequencing is provided and a packet length estimator ensures no full-speed/low-speed packet babbles into SOF time.
- USB 2.0 - 11.17.4 Transaction tracking for 2 data pipes.
- USB 2.0 - 11.17.5 Clear\_TT\_Buffer capability provided through the use of the TTCTRL register.

### Periodic Transaction Scheduling and Buffer Management

The following USB 2.0 specification items are implemented in the transaction translator:

- USB 2.0 - 11.18.6.[1-2] Abort of pending start-splits
  - EOF (and not started in microframes 6)
  - Idle for more than 4 microframes (Abort of pending complete-splits)
  - EOF
  - Idle for more than 4 microframes
- USB 2.0 - 11.18.[7-8] Transaction tracking for up to 16 data pipes.

**Caution:** Limiting the number of tracking pipes in the embedded -TT to four (4) will impose the restriction that no more than four periodic transactions (INTERRUPT/ISOCRONOUS) can be scheduled through the TT per frame. the number 16 was chosen in the USB specification because it is sufficient to ensure that the high-speed to full-speed periodic pipeline can remain full. keeping the pipeline full puts no constraint on the number of periodic transactions that can be scheduled in a frame and the only limit becomes the flight time of the packets on the bus.

**Note:** There is no data schedule mechanism for these transactions other than the microframe pipeline. The emulated TT assumes the number of packets scheduled in a frame does not exceed the frame duration (1 ms) or else undefined behavior might result.

## 15.11.8 Port Test Mode

Port Test Control mode behaves as described by EHCI. The modes are set using the usb.PORTSC1 [PTC] bit field.

## 15.12 Host Data Structures Reference

These descriptor data structures are compatible with the EHCI specification with some differences as noted in section [15.11 EHCI Implementation](#).

The data structures defined in this section are (from the host controller's perspective) a mix of read-only and read/writable fields. The host controller preserves the read-only fields.

### Section Content

- [15.12.1 Descriptor Usage](#)
- [15.12.2 Transfer Descriptor Type \(TYP\) Field](#)
- [15.12.3 Isochronous \(High Speed\) Transfer Descriptor \(iTd\)](#)
- [15.12.4 Split Transaction Isochronous Transfer Descriptor \(siTD\)](#)
- [15.12.5 Queue Element Transfer Descriptor \(qTD\)](#)
- [15.12.6 Queue Head \(QH\)](#)
- [15.12.7 Transfer Overlay Area](#)
- [15.12.8 Periodic Frame Span Traversal Node \(FSTN\)](#)

### 15.12.1 Descriptor Usage

Table 15-23: USB Host Descriptor Usage

Descriptors	Periodic Frame List		Asynchronous List	
	Isochronous	Interrupt	Bulk	Control
iTD, siTD	yes		no	no
QH, qTD	no	yes	yes	yes
FSTN (Low-, Full-speed)	no	yes		

### 15.12.2 Transfer Descriptor Type (TYP) Field

The Transaction Type bit field is defined and used in the situations listed in [Table 15-24](#).

Table 15-24: USB Host Transfer Descriptor Type (TYP) Bit Field

Data Structure	iTD 00	QH 01	siTD 10	FSTN 11	Description
Periodic Frame List	X	X	X	X	<a href="#">Figure 15-15 USB Host Periodic Schedule with Example</a>
iTD	X	~	~	~	<a href="#">Table 15-25 USB Host Isochronous Transfer Descriptor (iTd) Format</a>
siTD	~	X	~	~	<a href="#">Table 15-29 USB Host Split-Transaction Isochronous Descriptor (siTD) Format</a>

Table 15-24: USB Host Transfer Descriptor Type (TYP) Bit Field (Cont'd)

Data Structure	iTD 00	QH 01	siTD 10	FSTN 11	Description
QH	~	~	X	~	Table 15-40 USB Host Queue Head (QH) Descriptor Format
FSTN	~	~	~	X	Table 15-45 USB Host Frame Span Traversal Node Descriptor (FSTN) Format

### 15.12.3 Isochronous (High Speed) Transfer Descriptor (iTID)

The format of a high-speed isochronous transfer descriptor is illustrated in Table 15-25. This structure is used only for high-speed isochronous endpoints. The iTD's must be aligned on a 32-byte boundary.

Table 15-25: USB Host Isochronous Transfer Descriptor (iTID) Format

Reference	Type	31	30	29	28	27	26	25	24	23	22	21	20	19	18	17	16	15	14	13	12	11	10	9	8	7	6	5	4	3	2	1	0	DWord
Table 15-26	Next dTD	Next Link Pointer																										00	TYP	T	0			
Table 15-27	Transaction Status and Control	Status	Transaction 0 Length										iOC	PG *	Transaction 0 Offset *										1									
		Status	Transaction 1 Length										iOC	PG *	Transaction 1 Offset *										2									
		Status	Transaction 2 Length										iOC	PG *	Transaction 2 Offset *										3									
		Status	Transaction 3 Length										iOC	PG *	Transaction 3 Offset *										4									
		Status	Transaction 4 Length										iOC	PG *	Transaction 4 Offset *										5									
		Status	Transaction 5 Length										iOC	PG *	Transaction 5 Offset *										6									
		Status	Transaction 6 Length										iOC	PG *	Transaction 6 Offset *										7									
		Status	Transaction 7 Length										iOC	PG *	Transaction 7 Offset *										8									
Table 15-28	Buffer Pointer List	Buffer Pointer (Page 0)										EndPt	R	Device Address										9										
		Buffer Pointer (Page 1)										IO	Maximum Packet Size										10											
		Buffer Pointer (Page 2)										reserved										Mult	11											
		Buffer Pointer (Page 3)										reserved										12												
		Buffer Pointer (Page 4)										reserved										13												
		Buffer Pointer (Page 5)										reserved										14												
		Buffer Pointer (Page 6)										reserved										15												

 Host Controller Read/Write       Host Controller Read-only

\* means these fields may be modified by the Host controller if the IO field indicates an OUT (DWords 1 to 8).

#### iTD DWord 0: Next Link Pointer

The first DWord of an iTD is a pointer to the next schedule data structure.

Table 15-26: USB Host iTD DWord 0: Next Link Pointer

Bits	Description
31:5	<b>Next Link Pointer.</b> These bits correspond to memory address signals [31:5], respectively. This field points to another isochronous transaction descriptor (iTID/siTD) or a QH.
4:3	Reserved. Field reserved and should be set to 0.

Table 15-26: USB Host iTD DWord 0: Next Link Pointer (Cont'd)

Bits	Description
2:1	Transaction Descriptor Type, <b>TYP</b> . Set to 00 (iTID type). Refer to section 15.12.2 Transfer Descriptor Type (TYP) Field for general information.
0	Terminate transfer, <b>T</b> . <ul style="list-style-type: none"> <li>0: link to the Next iTD Pointer field; the address is valid.</li> <li>1: end the transaction, the Next iTD Pointer field is not valid.</li> </ul>

### iTD DWords 1 to 8: Transaction Status and Control List

DWords 1 through 8 are transaction control and status. Each transaction description includes:

- Status results field
- Transaction length (bytes to send for OUT transactions and bytes received for IN transactions)
- Buffer offset. The PG and Transaction x Offset fields are used with the buffer pointer list to construct the starting buffer address for the transaction

The host controller uses the information in each transaction description plus the endpoint information contained in the first three DWords of the Buffer Page Pointer list, to execute a transaction on the USB.

Table 15-27: USB Host iTD Dwords 1 to 8: Transaction Status and Control List

Bits	Description
31:28	<p><b>Status:</b></p> <p><b>Active Status</b> [31]. Set to 1 by the HCD to enable the execution of an isochronous transaction. When the transaction associated with this descriptor is completed, the host controller sets this bit to 0 indicating that a transaction for this element should not be executed when it is next encountered in the schedule.</p> <p><b>Data Buffer Error Status</b> [30]. Set to a 1 by the host controller during status update to indicate that the host controller is unable to keep up with the reception of incoming data (overrun) or is unable to supply data fast enough during transmission (under run). If an overrun condition occurs, no action is necessary.</p> <p><b>Babble Detected Status</b> [29]. Set to 1 by the host controller during status update when 'babble' is detected during the transaction generated by this descriptor.</p> <p><b>Transaction Error Status</b> [28]. Set to 1 by the host controller during status update in the case where the host did not receive a valid response from the device (Timeout, CRC, Bad PID, etc.). This bit can only be set for isochronous IN transactions.</p>
27:16	<p><b>Transaction {7:0} Length.</b> For an OUT transaction, this field is the number of data bytes the host controller will send during the transaction. The host controller is not required to update this field to reflect the actual number of bytes transferred during the transfer.</p> <p>For an IN transaction, the initial value of the field is the number of bytes the host expects the endpoint to deliver. During the status update, the host controller writes back the field the number of bytes successfully received.</p> <ul style="list-style-type: none"> <li>• 000h: zero length data.</li> <li>• 001h: one byte.</li> <li>• 002h: two bytes.</li> <li>• ...</li> <li>• C00h: 3072 bytes (maximum).</li> </ul>

Table 15-27: USB Host iTD Dwords 1 to 8: Transaction Status and Control List (Cont'd)

Bits	Description
15	Interrupt On Complete, <b>IOC</b> . If this bit is set to 1, it specifies that when this transaction completes, the host controller should issue an interrupt at the next interrupt threshold.
14:12	Page Select, <b>PG</b> . These bits are set by the HCD to indicate which of the buffer page pointers the offset field in this slot should be concatenated to produce the starting memory address for this transaction. The valid range of values for this field is 0 to 6.
11:0	<b>Transaction {7:0} Offset</b> . This field is a value that is an offset, expressed in bytes, from the beginning of a buffer. This field is concatenated onto the buffer page pointer indicated in the adjacent PG field to produce the starting buffer address for this transaction.

### iTD DWords 9 to 15: Buffer Page Pointer List

DWords 9-15 of an isochronous transaction descriptor are nominally page pointers (4 KB aligned) to the data buffer for this transfer descriptor. This data structure requires the associated data buffer to be contiguous, but allows the physical memory pages to be non-contiguous. Seven page pointers are provided to support the expression of eight isochronous transfers. The seven pointers allow for 3 (transactions) \* 1,024 (maximum packet size) \* 8 (transaction records) (24,576 bytes) to be moved with this data structure, regardless of the alignment offset of the first page.

Since each pointer is a 4 KB aligned page pointer, the least significant 12 bits in several of the page pointers are used for other purposes.

Table 15-28: USB Host iTD DWords 9 to 15: Buffer Page Pointer List

Bits	Description
<b>DWord 9</b>	
31:12	<b>Buffer Pointer (Page 0)</b> . 4KB-aligned pointer to system memory address bits [31:12].
11:8	<b>Endpoint Number (EndPt)</b> . Select the endpoint for the device serving as the data source or sink.
7	Reserved. Bit reserved for future use and should be initialized by the HCD to 0.
6:0	<b>Device Address</b> . Select the specific device serving as the data source or sink.
<b>DWord 10</b>	
31:12	<b>Buffer Pointer (Page 1)</b> . 4KB-aligned pointer to system memory address bits [31:12].
11	<b>Direction (IO)</b> . Select the high-speed transaction for an IN or OUT PID. <ul style="list-style-type: none"> <li>• 0: OUT</li> <li>• 1: IN</li> </ul>
10:0	<b>Maximum Packet Size</b> . This directly corresponds to the maximum packet size of the associated endpoint (wMaxPacketSize). This field is used for high-bandwidth endpoints where more than one transaction is issued per transaction description (e.g., per microframe). This field is used with the Multi field to support high-bandwidth pipes. This field is also used for all IN transfers to detect packet babble. The HCD should not set a value larger than 1,024 (400h). Any value larger yields undefined results.
<b>DWord 11</b>	
31:12	<b>Buffer Pointer (Page 2)</b> . 4KB-aligned pointer to system memory address bits [31:12].
11:2	Reserved. This bit reserved for future use and should be set to 0.

Table 15-28: USB Host iTD DWords 9 to 15: Buffer Page Pointer List (Cont'd)

Bits	Description
1:0	<p><b>Mult.</b> Selects the number of transactions to execute per transaction description (e.g. per microframe).</p> <ul style="list-style-type: none"> <li>• 00: Reserved. A 0 in this field yields undefined results</li> <li>• 01: One transaction to be issued for this endpoint per microframe</li> <li>• 10: Two transactions to be issued for this endpoint per microframe</li> <li>• 11: Three transactions to be issued for this endpoint per microframe</li> </ul>
<b>DWords 12 to 15</b>	
31:12	<b>Buffer Pointer (Pages 3 to 6).</b> 4KB-aligned pointer to memory address bits [31:12].
11:0	Reserved. This bit reserved for future use and should be set to 0.



## 15.12.4 Split Transaction Isochronous Transfer Descriptor (siTD)

This data structure is used to manage FS isochronous transfers via split transactions to USB 2.0 Hub Transaction Translator. There are additional fields used for addressing the hub and scheduling the protocol transactions (for periodic).

Table 15-29: USB Host Split-Transaction Isochronous Descriptor (siTD) Format

Reference	Type	31	30	29	28	27	26	25	24	23	22	21	20	19	18	17	16	15	14	13	12	11	10	9	8	7	6	5	4	3	2	1	0	DWord
Table 15-30	Next Ptr	Next Link Pointer																								00	TYP	T	0					
Table 15-31	Endpt Cap/Char	IO	Port Number						R	Hub Addr						reserved						EndPt	R	Device Address						1				
		reserved												Microframe C-mask						Microframe S-mask						2								
Table 15-32	xfer State	ioc	P	reserved						Total Bytes						Microframe C-prog-mask						Status						3						
Table 15-33	Buffer Page Ptrs	Buffer Pointer (Page 0)												Current Offset												4								
		Buffer Pointer (Page 1)												reserved						TP	T-count	5												
Table 15-34	Back Link	Back Pointer																								0	T	6						

Host Controller Read/Write
  Host Controller Read-only

### siTD DWord 0: Next Link Pointer

DWord 0 of a siTD is a pointer to the next schedule data structure.

Table 15-30: USB Host siTD DWord 0: Next Link Pointer

Bits	Description
31:5	<b>Next Link Pointer.</b> This field contains the address of the next data object to be processed in the periodic list and corresponds to memory address signals [31:5], respectively.
2:1	Transaction Descriptor Type, <b>TYP</b> . Set to 10 (siTD type). Refer to section 15.12.2 <a href="#">Transfer Descriptor Type (TYP) Field</a> for general information.
0	Terminate transfer, <b>T</b> . <ul style="list-style-type: none"> <li>• 0: link to the Next Link Pointer field; the address is valid.</li> <li>• 1: end the transaction, the Next Link Pointer field is not valid.</li> </ul>

### siTD DWords 1 and 2: Endpoint Capabilities and Characteristics

DWords 1 and 2 specify static information about the full-speed endpoint, the addressing of the parent Companion Controller, and microframe scheduling control.

Table 15-31: USB Host siTD DWords 1 and 2:Endpoint State

Bits	Description
<b>DWord 1: Endpoint and Transaction Translator Characteristics</b>	
31	Direction, <b>IO</b> . Encodes the FS transaction as an IN or OUT. <ul style="list-style-type: none"> <li>• 0: OUT</li> <li>• 1: IN</li> </ul>
30:24	<b>Port Number.</b> This field is the port number of the recipient Transaction Translator.
23	Reserved. Bit reserved and should be set to 0.
22:16	Hub Address, <b>Hub Addr</b> . Device address of the Companion Controller’s hub.

Table 15-31: USB Host siTD DWords 1 and 2:Endpoint State (Cont'd)

Bits	Description
15:12	Reserved. Field reserved and should be set to 0.
11:8	Endpoint Number, <b>EndPt</b> . 4-bit field selects the endpoint on the device serving as the data source or sink.
7	Reserved. Bit reserved and should be set to 0.
6:0	<b>Device Address</b> . Select the specific device serving as the data source or sink.
<b>DWord 2: Microframe Schedule Control</b>	
31:16	Reserved. Field reserved and should be set to 0.
15:8	Split Completion Mask, <b>Microframe C-mask</b> . This field (along with the Active and SplitXstate fields in the Status byte) is used to determine during which microframes the host controller should execute complete-split transactions. Refer to the text for details.
7:0	Split Start Mask, <b>Microframe S-mask</b> . This field (along with the Active and SplitX-state fields in the Status byte) is used to determine during which microframes the host controller should execute start-split transactions. Refer to the text for details.

### Microframe C-mask

The split completion mask field, siTD.Microframe C-mask, along with the Active and SplitXstate fields in the Status byte, is used to determine during which microframes the host controller should execute complete-split transactions. This field is a straight bit position field, so if bit [0] is set then the complete-split transaction should occur in the first microframe, if bit [1] is set = 1 then it should occur in the second microframe, and so on. When the criteria for using this field is met, a 0 value has undefined behavior.

The host controller uses the value of the three low-order bits of the FRINDEX register to index into this bit field. If the FRINDEX register value indexes to a position where the microframe C-Mask field is a 1, then this siTD is a candidate for transaction execution.

There can be more than one bit in this mask set.

The C-Mask can be set for multiple micro frames, as it is not known in which microframe the transaction will complete. So the C-Mask can be set for the micro frame after the S-Mask and all subsequent micro frames thereafter. The C-Mask field should not have a bit set to the same microframe as the S-Mask is set to.

### Microframe S-mask

The split start mask field, siTD.Micro S-mask, along with the Active and SplitX-state fields in the Status byte, is used to determine during which microframes the host controller should execute start-split transactions.

The host controller uses the value of the three low-order bits of the FRINDEX register to index into this bit field. If the FRINDEX register value indexes to a position where the microframe S-mask field is a 1, then this siTD is a candidate for transaction execution.

A 0 value in this field, in combination with existing periodic frame list, has undefined results.

This field should have only one bit set to 1 at any given time. Having more than one bit set will result in undefined results.

### siTD DWord 3: Transfer Status and Control

DWord 3 is used to manage the state of the split data transfer.

Table 15-32: USB Host siTD DWord 3: Transfer Status and Control

Bits	Description
31	<p>Interrupt On Complete, <b>IOC</b>.</p> <ul style="list-style-type: none"> <li>0: Do not interrupt when transaction is complete</li> <li>1: Do interrupt when transaction is complete</li> </ul> <p>When the host controller determines that the split transaction has completed it will assert a hardware interrupt at the next interrupt threshold.</p>
30	<p>Page Select, <b>P</b>. Used to indicate which data page pointer should be concatenated with the Current Offset field to construct a data buffer pointer (0 selects Page 0 pointer and 1 selects Page 1). The host controller is not required to write this field back when the siTD is retired (Active bit transitioned from a 1 to a 0).</p>
29:26	Reserved. Field reserved and should be set to 0.
25:16	<p>Total Bytes To Transfer, <b>Total Bytes</b>. This field is initialized by the HCD to the total number of bytes expected in this transfer. Maximum value is 1,023 (3FFh).</p>
15:8	<p>Microframe Complete-split Progress Mask, <b>uFrame C prog-mask</b>. This field is used by the host controller to record which split-completes has been executed.</p>
7:0	<b>Status [7:0]</b> . Refer to text.

#### Status bits [7:0]

- **Active Status [7]**. Set to 1 by the HCD to enable the execution of an isochronous split transaction by the Host Controller
- **ERR Status [6]**. Set to a 1 by the host controller when an ERR response is received from the Companion Controller.
- **Data Buffer Error Status [5]**. Set to a 1 by the host controller during status update to indicate that the host controller is unable to keep up with the reception of incoming data (overrun) or is unable to supply data fast enough during transmission (under run). In the case of an under run, the host controller will transmit an incorrect CRC (thus invalidating the data at the endpoint). If an overrun condition occurs, no action is necessary.
- **Babble Detected Status [4]**. Set to 1 by the Host Controller during status update when 'babble' is detected during the transaction generated by this descriptor.
- **Transaction Error Status [3]**. Set to 1 by the host controller during status update in the case where the host did not receive a valid response from the device (Timeout, CRC, Bad PID, etc.). This bit can only be set for isochronous IN transactions.
- **Missed Microframe Status [2]**. The host controller detected that a host-induced holdoff caused the host controller to miss a required complete-split transaction.
- **Split Transaction State Status [1]**.
  - 0: Do Start Split. This value directs the host controller to issue a Start split transaction to the endpoint when a match is encountered in the S-mask.
  - 1: Do Complete Split. This value directs the host controller to issue a Complete split transaction to the endpoint when a match is encountered in the C-mask.
- **Reserved [0]**. Bit reserved for future use and should be set to 0.

## siTD DWords 4 and 5: Buffer Pointer List

DWords 4 and 5 are the data buffer page pointers for the transfer. This structure supports one physical page cross. The most significant 20 bits of each DWord in this section are the 4K (page) aligned buffer pointers. The least significant 12 bits of each DWord are used as additional transfer state.

Table 15-33: USB Host siTD DWords 4 and 5: Buffer Pointers

Bits	Description
<b>DWord 4</b>	
31:12	<b>Buffer Pointer (Page 0).</b> 4 KB aligned pointer to system memory address bits [31:12].
11:0	<b>Current Offset.</b> The 12 least significant bits of the Page 0 pointer is the current byte offset for the current page pointer (as selected with the page select bit (P field)). The host controller is not required to write this field back when the siTD is retired (Active bit transitioned from a 1 to a 0).
<b>DWord 5</b>	
31:12	<b>Buffer Pointer (Page 1).</b> 4 KB aligned pointer to system memory address bits [31:12].
11:5	Reserved. Bit reserved for future use and should be set to 0.
4:3	Transition position, <b>TP</b> . This field is used with T-count to determine whether to send all, first, middle, or last with each outbound transaction payload. The HCD must initialize this field with the appropriate starting value. The host controller must correctly manage this state during the lifetime of the transfer. The bit encodings are: <ul style="list-style-type: none"> <li>00: <b>All</b>. Entire FS transaction data payload is in this transaction (the payload is less than or equal to 188 bytes.)</li> <li>01: <b>Begin</b>. First data payload for a FS transaction that is greater than 188 bytes.</li> <li>10: <b>Mid</b>. Middle payload for a FS OUT transaction that is greater than 188 bytes.</li> <li>11: <b>End</b>. Last payload for a FS OUT transaction that was greater than 188 bytes.</li> </ul>
2:0	Transaction count, <b>T-Count</b> . The HCD initializes this field with the number of OUT start-splits this transfer requires. Any value larger than 6 is undefined.

## siTD DWord 6: Back Link Pointer

DWord 6 of a siTD is simply another schedule link pointer. This pointer is either 0 or references an siTD data structure. This pointer cannot reference any other schedule data structure.

Table 15-34: USB Host siTD DWord 6: Back Pointer

Bits	Description
31:5	<b>Back Pointer.</b> Physical memory pointer to a siTD.
4:1	Reserved. Field reserved and should be set to 0.
0	Terminate transfer, <b>T</b> . <ul style="list-style-type: none"> <li>0: link to the Back Pointer field; the address is valid.</li> <li>1: end the transaction, the Back Pointer field is not valid.</li> </ul>

## 15.12.5 Queue Element Transfer Descriptor (qTD)

This data structure is only used with a queue head. This data structure is used for one or more USB transactions. This data structure is used to transfer up to 20,480 (5 times 4,096) bytes. The structure contains two structure pointers used for queue advancement, a DWord of transfer state, and a five-element array of data buffer pointers. This structure is 32 bytes (or one 32-byte cache line). This data structure must be physically contiguous.

The buffer associated with this transfer must be virtually contiguous. The buffer can start on any byte boundary. A separate buffer pointer list element must be used for each physical page in the buffer, regardless of whether the buffer is physically contiguous.

Host controller updates (host controller writes) to stand-alone qTD's only occur during transfer retirement. References in the following bit field definitions of updates to the qTD are to the qTD portion of a queue head.

Table 15-35: USB Host Transfer Descriptor (qTD) Format

Reference	Type	31	30	29	28	27	26	25	24	23	22	21	20	19	18	17	16	15	14	13	12	11	10	9	8	7	6	5	4	3	2	1	0	DWord
Table 15-36	Transfer Overlay Area	Next qTD Pointer																										0000	T	0				
Table 15-37		Alternate Next qTD Pointer																										0000	T	1				
Table 15-38		DT	Total Bytes										ioc	C_Page	C_err	PID	Status										2							
Table 15-39		Buffer Pointer (Page 0)										Current Offset										3												
		Buffer Pointer (Page 1)										reserved										4												
		Buffer Pointer (Page 2)										reserved										5												
		Buffer Pointer (Page 3)										reserved										6												
		Buffer Pointer (Page 4)										reserved										7												

Host Controller Read/Write
  Host Controller Read-only

### qTD DWord 0: Next Pointer

The first DWord of an element transfer descriptor is a pointer to another transfer element descriptor.

Table 15-36: USB Host qTD DWord 0: Next Element Transfer Pointer

Bits	Description
31:5	Next Transfer Element Pointer, <b>Next qTD Pointer</b> . This field contains the physical memory address of the next qTD to be processed. The field corresponds to memory address bits [31:5], respectively.
4:1	Reserved. Field reserved and should be set to 0.
0	Terminate transfer, <b>T</b> . <ul style="list-style-type: none"> <li>• 0: link to the Next qTD Pointer field; the address is valid.</li> <li>• 1: end the transaction, the Next qTD Pointer field is not valid.</li> </ul>

### qTD DWord 1: Alternate Next Element Pointer

The second DWord of a queue element transfer descriptor is used to support hardware-only advance of the data stream to the next client buffer on short packet. To be more explicit the host controller will always use this pointer when the current qTD is retired due to short packet.

Table 15-37: USB Host qTD DWord 1: Alternate Next Element Pointer

Bits	Description
31:5	Alternate Next Transfer Element Pointer, <b>Alternate Next qTD Pointer</b> . This field contains the physical memory address of the next qTD to be processed in the event that the current qTD execution encounters a short packet (for an IN transaction). The field corresponds to memory address signals [31:5], respectively.
4:1	Reserved. Field reserved and should be set to 0.
0	Terminate transfer, <b>T</b> . <ul style="list-style-type: none"> <li>0: link to the Alternate Next dTD Pointer field; the address is valid.</li> <li>1: end the transaction, the Alternate Next dTD Pointer field is not valid.</li> </ul>

### qTD DWord 2: Token

The third DWord of a queue element transfer descriptor contains most of the information the host controller requires to execute a USB transaction (the remaining endpoint-addressing information is specified in the queue head). The status field reflects the last transaction performed on this qTD.

**Note:** The field descriptions forward reference fields defined in the queue head. Where necessary, these forward references are preceded with a QH notation.

Table 15-38: USB Host qTD DWord 2: DT, Total Bytes

Bits	Description
31	Data Toggle, <b>DT</b> . This is the data toggle sequence bit. The use of this bit depends on the setting of the Data Toggle Control bit in the queue head.
30:16	Total Bytes to Transfer, <b>Total Bytes</b> . This field specifies the total number of bytes to be moved with this transfer descriptor. Refer to section <a href="#">Total Bytes to Transfer Parameter</a> for more info.
15	Interrupt On Complete, <b>IOC</b> . If this bit is set to a 1, it specifies that when this qTD is completed, the host controller should issue an interrupt at the next interrupt threshold.
14:12	Current Page, <b>C_Page</b> . This field is used as an index into the qTD buffer pointer list. Valid values are in the range 0 to 4. The host controller is not required to write this field back when the qTD is retired.

Table 15-38: USB Host qTD DWord 2: DT, Total Bytes (Cont'd)

Bits	Description										
11:10	<p>Error Counter, <b>Cerr</b>. This field is a 2-bit <i>down</i> counter that keeps track of the number of consecutive Errors detected while executing this qTD.</p> <p>HCD write:</p> <ul style="list-style-type: none"> <li>• 00: the controller will not count errors for this qTD and there will be no limit on the retries of this qTD.</li> <li>• 01 to 11: the controller decrements this field for each consecutive USB transaction error [UEI] that occurs while processing this qTD. If the counter counts from 01 to 00, the controller marks the qTD inactive, sets the Halted bit = 1, and sets the usb.USBINTR [CERR] error status bit.</li> </ul> <table border="0" style="width: 100%;"> <tr> <td style="width: 50%;">Transaction Error</td> <td>Yes</td> </tr> <tr> <td>Stall</td> <td>No, see note 1 below.</td> </tr> <tr> <td>Babble Detected</td> <td>No, see note 1 below.</td> </tr> <tr> <td>No Error</td> <td>No, see note 2 below.</td> </tr> <tr> <td>Data Buffer Error</td> <td>No, see note 3 below.</td> </tr> </table> <p><b>Notes:</b></p> <ol style="list-style-type: none"> <li>1. Detection of Babble or Stall automatically halts the queue head. Thus, count is not decremented</li> <li>2. If the QH.EPS field indicates a HS device or the queue head is in the Asynchronous Schedule (and PID code indicates an IN or OUT) and a bus transaction completes and the host controller does not detect a transaction error, then the host controller should reset Cerr to extend the total number of errors for this transaction. For example, Cerr should be reset with maximum value (3) on each successful completion of a transaction. The host controller must never reset this field if the value at the start of the transaction is 00b.</li> <li>3. Data buffer errors are host problems. They don't count against the device's retries.</li> </ol> <p><b>Note:</b> The HCD must not program Cerr to a value of 0 when the QH.EPS field is programmed with a value indicating a FS or LS device. This combination could result in undefined behavior.</p>	Transaction Error	Yes	Stall	No, see note 1 below.	Babble Detected	No, see note 1 below.	No Error	No, see note 2 below.	Data Buffer Error	No, see note 3 below.
Transaction Error	Yes										
Stall	No, see note 1 below.										
Babble Detected	No, see note 1 below.										
No Error	No, see note 2 below.										
Data Buffer Error	No, see note 3 below.										
9:8	<p>PID Code, <b>PID</b>. This field is an encoding of the token, which should be used for transactions associated with this transfer descriptor. Encodings are:</p> <ul style="list-style-type: none"> <li>• 00: DUT. Token generates token (E1h)</li> <li>• 01: IN. Token generates token (69h)</li> <li>• 10: Setup. Token generates token (2Dh) (undefined if end-point is an Interrupt transfer type, e.g. microFrame S-mask field in the queue head is non-zero.)</li> <li>• 11: Reserved.</li> </ul>										
7	<p><b>Active Status.</b> Set to 1 by the HCD to enable the execution of transactions by the host controller.</p>										
6	<p><b>Halted Status.</b> Set to a 1 by the host controller during status updates to indicate that a serious error has occurred at the device/endpoint addressed by this qTD. This can be caused by babble, the error counter counting down to 0, or reception of the STALL handshake from the device during a transaction. Any time that a transaction results in the Halted bit being set to a 1, the Active bit is also set to 0.</p>										
5	<p><b>Data Buffer Error Status.</b> Set to a 1 by the Host Controller during status update to indicate that the Host Controller is unable to keep up with the reception of incoming data (overrun) or is unable to supply data fast enough during transmission (under run). If an overrun condition occurs, the Host Controller will force a timeout condition on the USB, invalidating the transaction at the source. If the host controller sets this bit to a 1, then it remains a 1 for the duration of the transfer.</p>										
4	<p><b>Babble Detected Status.</b> Set to a 1 by the host controller during status update when "babble" is detected during the transaction. In addition to setting this bit, the host controller also sets the Halted bit to a 1. Since "babble" is considered a fatal error for the transfer, setting the Halted bit to a 1 insures that no more transactions occur because of this descriptor.</p>										

Table 15-38: USB Host qTD DWord 2: DT, Total Bytes (Cont'd)

Bits	Description
3	<b>Transaction Error Status.</b> Set to a 1 by the host controller during status update in the case where the host did not receive a valid response from the device (Timeout, CRC, Bad PID, etc.). If the controller sets this bit to a 1, then it remains a 1 for the duration of the transfer.
2	<b>Missed Microframe Status.</b> This bit is ignored unless the QH.EPS field indicates a full- or low-speed endpoint and the queue head is in the periodic list. This bit is set when the host controller detected that a host-induced hold-off caused the controller to miss a required complete-split transaction. If the controller sets this bit to a 1, then it remains a 1 for the duration of the transfer.
1	<b>Split Transaction State Status.</b> This bit is ignored by the host controller unless the QH.EPS field indicates a FS or LS endpoint. When a Full- or Low speed device, the host controller uses this bit to track the state of the split transaction. The functional requirements of the controller for managing this state bit and the split transaction protocol depends on whether the endpoint is in the periodic or asynchronous schedule. <ul style="list-style-type: none"> <li>• 0: Do Start Split. This value directs the host controller to issue a Start split transaction to the endpoint.</li> <li>• 1: Do Complete Split. This value directs the host controller to issue a Complete split transaction to the endpoint.</li> </ul>
0	<b>Ping State/ERR Status.</b> If the QH.EPS field indicates a HS device and the PID indicates an OUT endpoint, then this is the state bit for the Ping protocol. <ul style="list-style-type: none"> <li>• 0: Do OUT. This value directs the controller to issue an OUT PID to the endpoint.</li> <li>• 1: Do Ping. This value directs the controller to issue a Ping PID to the endpoint.</li> </ul> If the QH.EPS field does not indicate a HS device, then this field is used as an error indicator bit. It is set to a 1 by the controller whenever a periodic split-transaction receives an ERR handshake.

### qTD DWord 3 to 7: Buffer page Pointer List

The last five DWords of a queue element transfer descriptor is an array of physical memory address pointers. These pointers reference the individual pages of a data buffer.

The HCD initializes current offset field to the starting offset into the current page, where current page is selected via the value in the C\_Page field.

The field C\_Page specifies the current active pointer. When the transfer element descriptor is fetched, the starting buffer address is selected using C\_Page (similar to an array index to select an array element). If a transaction spans a 4 KB buffer boundary, the host controller must detect the page-span boundary in the data stream, increment C\_Page and advance to the next buffer pointer in the list, and conclude the transaction via the new buffer pointer.

Table 15-39: USB Host qTD DWord 3 to 7: Buffer Pointers

Bits	Description
31:1 2	<b>DWords 3 to 7: Buffer Pointer.</b> 4KB page-aligned memory address.
11:0	<b>DWord 3: Current Offset.</b> Byte offset into the active page (as selected by C_Page). The host controller is not required to write this field back when the qTD is retired. <b>DWords 4 to 7: Reserved.</b> Field reserved and should be set to 0.



## 15.12.6 Queue Head (QH)

The first three DWords of the QH include Static State information about the endpoint. The current qTD pointer is the system memory address pointer for the current qTD and is updated by the hardware when a new qTD is written (overlaid) in the QH's overlay area.

Table 15-40: USB Host Queue Head (QH) Descriptor Format

Reference	Type	31	30	29	28	27	26	25	24	23	22	21	20	19	18	17	16	15	14	13	12	11	10	9	8	7	6	5	4	3	2	1	0	DWord
Table 15-41	Static Endpoint State	Queue Head Horizontal Link Pointer																								00	TYP	T	0					
Table 15-42		RL	C	Maximum Packet Length						H	DTC	EPS	EndPt	I	Device Address											1								
		Mult	Port Number *				Hub Addr *				uFrame C-mask *				uFrame S-mask				2															
Table 15-43	Current Pointer	Current qTD Pointer																								00000			3					
Table 15-44	Transfer Overlay Area	Next qTD Pointer																								0000	T	4						
		Alternate Next qTD Pointer																								NakCnt		T	5					
		DT	Total Bytes						iOC	C_Page	C_err	PID	Status				P	6																
		Buffer Pointer (Page 0)												Current Offset												7								
		Buffer Pointer (Page 1)												reserved				C-prog-mask *				8												
		Buffer Pointer (Page 2)												S-Bytes *				Split_Frame_Tag *				9												
		Buffer Pointer (Page 3)												reserved												10								
Table 15-45		Buffer Pointer (Page 4)												reserved												11								

Host Controller Read/Write
  Host Controller Read-only

\* means these fields are used exclusively to support Split Transactions to USB 2.0 Hubs.

### QH Horizontal Link Pointer, DWord 0

The first DWord of a Queue Head contains a link pointer to the next data object to be processed after any required processing in this queue has been completed, as well as the control bits defined below. This pointer can reference a queue head or one of the isochronous transfer descriptors. It must not reference a queue element transfer descriptor.

Table 15-41: USB Host QH DWord 0: Link Pointer

Bits	Description
31:5	<b>Queue Head Horizontal Link Pointer.</b> System memory address of the next data object in the periodic list.
4:3	Reserved. Field reserved and should be set to 0.
2:1	Transaction Descriptor Type, <b>TYP</b> . Set to 01 (QH type). Refer to section 15.12.2 Transfer Descriptor Type (TYP) Field for general information.
0	Termination Bit, <b>T</b> . Periodic List Schedule response: 0: link to the next QH; the Queue Head Horizontal Link Pointer field is valid. 1: end of the periodic list processing; the pointer field is invalid. Asynchronous Schedule response: Ignored.

## QH DWords 1 and 2: Endpoint Capabilities and Characteristics

The second and third DWords of a Queue Head specifies static information about the endpoint. This information does not change over the lifetime of the endpoint. The host controller must not modify the bits in these DWords.

Table 15-42: USB Host QH DWords 1 and 2: Endpoint Capabilities and Characteristics

Bits	Description
<b>DWord 1: Capabilities and Characteristics.</b>	
These are the USB endpoint characteristics including addressing, maximum packet size, and endpoint speed.	
31:28	NAK Count Reload, <b>RL</b> . This field contains a value, which is used by the host controller to reload the NAK Counter field.
27	Control Endpoint Flag, <b>C</b> . If the QH.EPS field indicates the endpoint is not a high speed device, and the endpoint is a control endpoint, then the HCD must set this bit to a 1. Otherwise, it should always set this bit to a 0.
26:16	<b>Maximum Packet Length</b> . This directly corresponds to the maximum packet size of the associated endpoint (wMaxPacketSize). The maximum value this field can contain is 400h (1,024).
15	Head of Reclamation List Flag, <b>H</b> . This bit is set by the HCD to mark a queue head as being the head of the reclamation list.
14	Data Toggle Control, <b>DTC</b> . This bit specifies where the host controller should get the initial data toggle on an overlay transition. <ul style="list-style-type: none"> <li>0: Ignore DT bit from incoming qTD. Host controller preserves DT bit in the queue head.</li> <li>1: Initial data toggle comes from incoming qTD DT bit. Host controller replaces DT bit in the queue head from the DT bit in the qTD.</li> </ul>
13:12	Endpoint Speed, <b>EPS</b> . Select speed of the associated endpoint. <ul style="list-style-type: none"> <li>00: Full-Speed (12 Mb/s)</li> <li>01: Low-Speed (1.5 Mb/s)</li> <li>10: High-Speed (480 Mb/s)</li> <li>11: Reserved</li> </ul>
11:8	Endpoint Number, <b>EndPt</b> . This 4-bit field selects the particular endpoint number on the device serving as the data source or sink.
7	Inactivate on Next Transaction, <b>I</b> . The HCD requests that the host controller set the Active status bit to 0. This field is only valid when the QH is in the Periodic Schedule and the QH.EPS field indicates an FS or LS endpoint. Setting this bit to a 1 when the queue head is in the Asynchronous Schedule or the QH.EPS field indicates a high-speed device yields undefined results.
6:0	<b>Device Address</b> . Select the specific device serving as the data source or sink.
<b>DWord 2: Capabilities and Characteristics</b>	
These are adjustable parameters of the endpoint. They affect how the endpoint data stream is managed by the host controller.	
31:30	High-Bandwidth Pipe Multiplier, <b>Mult</b> . This field is a multiplier used to key the host controller as the number of successive packets the host controller can submit to the endpoint in the current execution. The host controller makes the simplifying assumption that the HCD properly initializes this field (regardless of location of queue head in the schedules or other run time parameters). <ul style="list-style-type: none"> <li>00: Reserved. A 0 in this field yields undefined results.</li> <li>01: One transaction to be issued for this endpoint per microframe.</li> <li>10: Two transactions to be issued for this endpoint per microframe.</li> <li>11: Three transactions to be issued for this endpoint per microframe.</li> </ul>

Table 15-42: USB Host QH DWords 1 and 2: Endpoint Capabilities and Characteristics (Cont'd)

Bits	Description
29:23	<b>Port Number.</b> This is used in the split-transaction protocol. This field is ignored by the host controller unless the QH.EPS field indicates a full- or low-speed device. The value is the port number identifier on the USB 2.0 Hub (for hub at device address Hub Addr below), below which the full- or low-speed device associated with this endpoint is attached.
22:16	Hub Address, <b>Hub Addr.</b> This field is used in the split-transaction protocol. This field is ignored by the host controller unless the QH.EPS field indicates a full- or low-speed device. The value is the USB device address of the USB 2.0 Hub below which the full- or low-speed device associated with this endpoint is attached.
15:8	Split Completion Mask, <b>uFrame C-Mask.</b> Refer to the text.
7:0	Interrupt Schedule Mask, <b>uFrame S-mask.</b> Refer to the text.

### uFrame C-Mask

The split completion mask field, QH.uFRAME C-Mask, is ignored by the host controller unless the QH.EPS field indicates this device is LS or FS and this QH is in the periodic list. This field (along with the Active and SplitX-state fields) is used to determine which microframes the host controller should execute a complete-split transaction. This field is a straight bit position field, so if bit [0] is set then the complete-split transaction should occur in the first microframe, if bit 1 is set then it should occur in the second microframe, and so on.

When the criteria for using this field are met, a 0 value in this field has undefined behavior. This field is used by the host controller to match against the three low-order bits of the FRINDEX register. If the FRINDEX register bits decode to a position where the QH.uFrame C-Mask field is a 1, then this queue head is a candidate for transaction execution. There can be more than one bit in this mask set.

The C-Mask can be set for multiple micro frames, as it is not known in which microframe the transaction will complete. So the C-Mask can be set for the micro frame after the S-Mask and all subsequent micro frames thereafter. The C-Mask field should not have a bit set to the same microframe as the S-Mask is set to.

### uFrame S-mask

The interrupt schedule mask field, QH.uFrame S-mask, is used for all endpoint speeds. The HCD should set this field = 0 when the QH is on the asynchronous schedule. A non-zero value in this field indicates an interrupt endpoint.

The host controller uses the value of the three low-order bits of the FRINDEX register as an index into a bit position in this bit vector. If the QH.uFrame S-mask field has a 1 at the indexed bit position then this queue head is a candidate for transaction execution.

If the QH.EPS field indicates the endpoint is a high-speed endpoint, then the transaction executed is determined by the PID field contained in the execution area.

This field is also used to support split transaction types: Interrupt (IN/OUT). This condition is true when this field is non-zero and the QH.EPS field indicates this is either a full- or low-speed device.

A 0 value in this field, in combination with existing in the periodic frame list has undefined results. This field should have only one bit set to 1 at any given time. Having more than one bit set will result in undefined results.

### QH DWord 3: Current qTD Pointer

The DWord 3 of a Queue Head contains a pointer to the source qTD currently associated with the overlay. The host controller uses this pointer to write back the overlay area into the source qTD after the transfer is complete.

Table 15-43: USB Host QH DWord 3

Bits	Description
31:5	Current Element Transaction Descriptor Link Pointer. <b>Current qTD Pointer.</b> This field contains the address Of the current transaction being processed in this queue and corresponds to memory address signals [31:5].
4:0	<b>Reserved.</b> Write 0.

## 15.12.7 Transfer Overlay Area

The nine DWords in this area represent a transaction working space for the host controller. The general operational model is that the host controller can detect whether the overlay area contains a description of an active transfer. If it does not contain an active transfer, then it follows the Queue Head Horizontal Link Pointer to the next queue head. The host controller will never follow the Next Transfer Queue Element or Alternate Queue Element pointers unless it is actively attempting to advance the queue. For the duration of the transfer, the host controller keeps the incremental status of the transfer in the overlay area. When the transfer is complete, the results are written back to the original queue element.

Table 15-44: USB Host Transfer Overlay Descriptors

Bits	Description	qTD DWord	QH DWord
<b>Next qTD Pointer</b>		0	4
31:5	<b>Next qTD Pointer.</b> This field contains the address of the next transaction being processed in this queue and corresponds to memory address signals [31:5], respectively.		
4:1	Reserved. Write 0.		
0	Terminate transfer, <b>T</b> . <ul style="list-style-type: none"> <li>0: link to the Next qTD Pointer field; the address is valid.</li> <li>1: end the transaction, the Next qTD Pointer field is not valid.</li> </ul>		

Table 15-44: USB Host Transfer Overlay Descriptors (Cont'd)

Bits	Description	qTD DWord	QH DWord
<b>Alternate Next qTD Pointer</b>			
31:5	<b>Alternate Next qTD Pointer.</b>	1	5
4:1	NAK Counter, <b>NakCnt</b> . This field is a counter the host controller decrements whenever a transaction for the endpoint associated with this queue head results in a Nak or Nyet response. This counter is reloaded from RL before a transaction is executed during the first pass of the reclamation list (relative to an Asynchronous List Restart condition). It is also loaded from RL during an overlay.		
0	Terminate transfer, <b>T</b> . <ul style="list-style-type: none"> <li>0: link to the Alternate Next qTD Pointer field; the address is valid.</li> <li>1: end the transaction, the Alternate Next qTD Pointer field is not valid.</li> </ul>		
<b>Total Bytes</b>			
31	Data toggle, <b>DT</b> . The Data Toggle Control controls whether the host controller preserves this bit when an overlay operation is performed.	2	6
30:16	<b>Total Bytes</b> . Refer to section <a href="#">Total Bytes to Transfer Parameter</a> for more info.		
15	Interrupt On Complete, <b>IOC</b> . The IOC control bit is always inherited from the source qTD when the overlay operation is performed.		
14:12	<b>C_Page</b> .		
11:10	Error Counter, <b>Cerr</b> . This two-bit field is copied from the qTD during the overlay and written back during queue advancement.		
9:8	Port ID, <b>PID</b> .		
7:0	Reserved. Write 0.		
0	Ping State, <b>/PERR</b> . If the QH.EPS field indicates a high-speed endpoint, then this field should be preserved during the overlay operation.		
<b>Buffer Pointer (page 0)</b>			
31:12	<b>Buffer Pointer</b> . 4KB aligned pointer to system memory address bits [31:12].	3	7
11:0	<b>Current Offset</b> .		
<b>Buffer Pointer (page 1)</b>			
31:12	<b>Buffer Pointer</b> . 4KB aligned pointer to system memory address bits [31:12].	4	8
11:8	Reserved.		
7:0	QH (split transactions only): <b>C-prog-mask</b> . qTD and non-split QH: <b>Reserved</b> .		
<b>Buffer Pointer (page 2)</b>			
31:12	<b>Buffer Pointer</b> . 4KB aligned pointer to system memory address bits [31:12].	5	9
11:5	<b>S-bytes</b> . This field is used to keep track of the number of bytes sent or received during an IN or OUT split transaction. The HCD must ensure that the S-bytes field in a qTD is 0 before activating the qTD.		
4:0	Split-transaction Frame Tag, <b>Split_Frame_Tag</b> . This field is used to track the progress of an interrupt split-transaction. This field is initialized to 0 during any overlay.		

Table 15-44: USB Host Transfer Overlay Descriptors (Cont'd)

Bits	Description	qTD DWord	QH DWord
<b>Buffer Pointer (pages 3 and 4)</b>		6 and 7	10 and 11
31:12	<b>Buffer Pointer.</b> 4KB aligned pointer to system memory address bits [31:12].		
11:0	Reserved.		

### 15.12.8 Periodic Frame Span Traversal Node (FSTN)

This data structure is to be used only for managing Full- and Low-speed transactions that span a Host-frame boundary. The HCD must not use an FSTN in the Asynchronous Schedule. An FSTN in the Asynchronous schedule results in undefined behavior.

Table 15-45: USB Host Frame Span Traversal Node Descriptor (FSTN) Format

Reference	Type	31	30	29	28	27	26	25	24	23	22	21	20	19	18	17	16	15	14	13	12	11	10	9	8	7	6	5	4	3	2	1	0	DWord
Table 15-46		Normal Path Link Pointer																										00	TYP	T	0			
Table 15-47		Back Path Link Pointer																										00	TYP	T	1			

Host Controller Read-only

#### FSTN DWord 0: Normal Path Pointer

The first DWord of an FSTN contains a link pointer to the next schedule object. This object can be of any valid periodic schedule data type.

Table 15-46: USB Host FSTN DWord: Normal Path Pointer

Bits	Description
31:5	<b>Normal Path Link Pointer.</b> Address of the next data object to be processed in the periodic list and corresponds to memory address bits [31:5], respectively.
4:3	<b>Reserved.</b> Field reserved and should be set to 0.
2:1	Transaction Descriptor Type, <b>TYP.</b> Set to 11 (FSTN type). Refer to section 15.12.2 Transfer Descriptor Type (TYP) Field for general information.
0	Terminate bit, <b>T.</b> <ul style="list-style-type: none"> <li>0: Link Pointer field points to a valid system memory offset from CTRLDSSEGMENT and the FSTN is a Save-Place indicator.</li> <li>1: Link Pointer field is invalid and the FSTN is a Restore indicator.</li> </ul>

#### FSTN DWord 1: Back Path Link Pointer

The second DWord of an FSTN node contains a link pointer to a queue head. If the T-bit in this pointer is a 0, then this FSTN is a Save-Place indicator. Its TYP field must be set by the HCD to indicate the target data structure is a queue head. If the T-bit in this pointer is set to a 1, then this FSTN is the Restore indicator. When the T-bit is a 1, the host controller ignores the TYP field.

Table 15-47: USB Host FSTN DWord 1: Back Path Link Pointer

Bits	Description
31:5	<b>Back Path Link Pointer.</b> This field contains the address of a Queue Head. This field corresponds to memory address signals [31:5], respectively.
4:3	<b>Reserved.</b> Field reserved and should be set to 0.
2:1	Transaction Descriptor Type, <b>TYP.</b> Set to 11 (FSTN type). Refer to section <a href="#">15.12.2 Transfer Descriptor Type (TYP) Field</a> for general information.
0	Terminate bit, <b>T.</b> <ul style="list-style-type: none"> <li>1: Link Pointer field is invalid and the FSTN is a Restore indicator.</li> <li>0: Link Pointer field points to a valid system memory offset from CTRLDSSEGMENT and the FSTN is a Save-Place indicator.</li> </ul>

## 15.13 Programming Guide for Host Controller

The host controller driver software (HCD) provides a layered software architecture to control all aspects of a USB bus system. The HCD controls the functions of an embedded EHCI host controller. The USB driver layer provides all the USB driver functions to enumerate, manage and schedule a USB bus system, while the upper layers of the stack support standard USB device class interfaces to the device drives running on the embedded system.

### 15.13.1 Controller Reset

The controller has multiple types of resets, as described in section [15.15.2 Reset Types](#).

### 15.13.2 Run/Stop

When the HCD sets the usb.USBCMD [RS] bit = 1, the controller proceeds to the execute the periodic and asynchronous schedules. The controller continues execution as long as this bit is set to a 1. When this bit is set to 0, the host controller completes the current transaction on the USB and then halts. When the controller is finished with the transaction and has entered the stopped state, it writes a 1 to the usb.USBSTS [HCH] bit. Software should not write a 1 to the [RS] bit to enable the controller unless the controller is in the Halted state, usb.USBSTS [HCH] bit = 1.

## 15.14 OTG Description and Reference

The register bits that are used for OTG operations are not reset when software writes a 1 to the usb.USBCMD [RST] reset bit. These bits are identified in [Table 15-1, page 393](#).

## 15.14.1 Hardware Assistance Features

The hardware assist mechanisms provide automated response and sequencing that might not be possible using software due to significant interrupt latency response times. The use of this additional circuitry is optional and can be used to assist the three sequences below.

- Auto-Reset [HAAR]: Reset after a connect event.
- Data-Pulse [HADP]: Generates a 7 ms pulse on the DP signal.
- B-Disconnect to A-Connect Event [HABA].

### Auto-Reset Option

When the `usb.OTGSC [HAAR]` bit is set to 1, the host controller will automatically start a reset after a connect event. This shortcuts the normal process where the software is notified of the connect event and starts the reset. The software will still receive notification of the connect event but should not write the reset bit when the [HAAR] bit is set = 1. The software will be notified again after the reset is complete via the enable change bit in the `PORTSC1` register which cause a port change interrupt.

This hardware assistance feature will ensure the OTG parameter `TB_ACON_BSE0_MAX = 1 ms` is met.

### Data-Pulse

Writing a 1 to `usb.OTGSC [HADP]` bit will start a data pulse of approximately 7 ms in duration and then automatically cease the data pulsing. During the data pulse, the DP signal will be set and then cleared. This automation relieves the software from accurately controlling the data-pulse duration. During the data pulse, the HCD can poll to see that the [HADP] and [DP] bits have returned low to recognize the completion or simply launch the data pulse and wait to see if a VBUS Valid interrupt occurs when the A-side supplies bus power.

This hardware assistance feature will ensure data pulsing meets the OTG requirement of > 5 ms and < 10 ms.

### B-Disconnect to A-Connect

During HNP, the B-Disconnect occurs from the OTG `A_suspend` state and within 3 ms, the A-device must enable the pull-up on the DP signal in the A-peripheral state. When `usb.OTGSC [HABA]` is set = 1, the Host Controller port is in suspend mode, and the device disconnects, then this hardware assist begins.

1. Reset the OTG controller.
2. Set the OTG controller into device mode.
3. Write the device run bit to a 1 and enable necessary interrupts including:
4. USB Reset Enable [URE]; enables interrupt on USB bus reset to device
5. Sleep Enable [SLE]; enables interrupt on device suspend
6. Port Change Detect Enable [PCE]; enables interrupt on device connect



When the HCD has enabled this hardware assist, it must not interfere during the transition and should not write any control registers until it gets an interrupt from the device controller signifying that a reset interrupt has occurred or at least first verify that the controller has entered device mode. The HCD must not activate the soft reset at any time since this action is performed by hardware. During the transition, the HCD might see an interrupt from the disconnect and/or other spurious interrupts (i.e., SOF/etc.) that might or might not cascade and can be cleared by the soft reset depending on the HCD response time.

After the controller has entered device mode by the hardware assist, the HCD must ensure that the usb.ENDPTLISTADDR is programmed properly before the host sends a setup packet. Since the end of the reset duration, which can be initiated quickly (a few microseconds) after connect, will require at a minimum 50 ms, this is the time for which the HCD must be ready to accept setup packets after having received notification that the reset has been detected or simply that the OTG is in device mode whichever occurs first.

In the case where the A-peripheral fails to see a reset after the controller enters device mode and engages the DP-pull-up, the interrupt software signifying that a suspend has occurred.

This assist will ensure the parameter TA\_BDIS\_ACON\_MAX = 3 ms is met.

### 15.14.2 OTG Interrupt and Control Bits

The interrupt and control bits are included in one register, the OTGSC register. Changes in the status activity will latched events. The status bits indicate the current activity. Software reads the latched events and status activity bits to determine there was an event and its status. The IRQ interrupt signal to the GIC interrupt controller will be asserted to the GIC interrupt controller when both the interrupt enable bit (controlled by software) and the associated status activity bit (controlled by hardware) are equal to 1.

Table 15-48: USB OTG Status/Interrupt and Control Bits in the OTGSC Register

Interrupts													Control Bits																		
31	30	29	28	27	26	25	24	23	22	21	20	19	18	17	16	15	14	13	12	11	10	9	8	7	6	5	4	3	2	1	0
r	Enable (R/W)						r	Latched Event (W1C)						r	Status (read-only)							HABA	HADP	IDPU	DP	OT	HAAR	VC	VD		
<b>Interrupts:</b> <ul style="list-style-type: none"> <li>Status Activity</li> <li>Latched Events</li> <li>Interrupt Enable</li> </ul>													Data Pulse	1 ms	B Session End	B Session Valid	A Session Valid	A VBus	USB ID	0: VD: Vbus Discharge enable (rw)	1: VC: VBus Charge enable (rw)	2: HAAR: Hardware Auto-Reset enable (rw)	3: OT: OTG Device mode DP M pull-down enable (rw)	4: DP: Assert DP pull-up during SRP (rw)	5: IDPU: ID Pull-up enable (rw)	6: HADP: Hardware Assist Data-pulse generator (rw)	7: HABA: Hardware Assist B-disconnect to A-connect (rw)				

## 15.15 System Functions

The system functions include clocks, resets, memory interfaces and system interrupts.

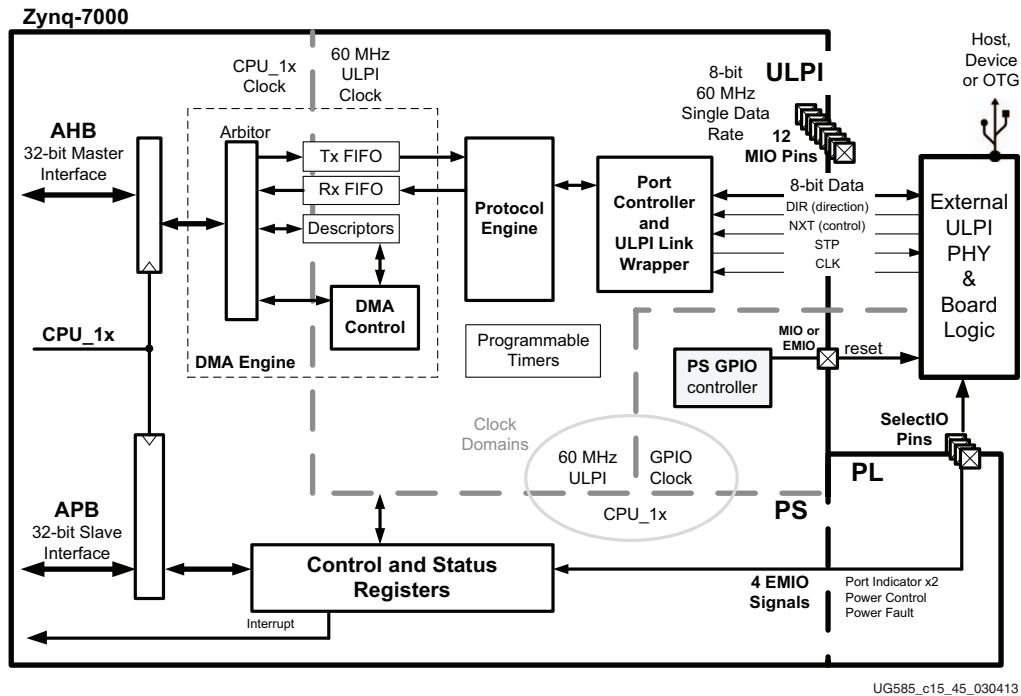


Figure 15-18: USB Detailed System Block Diagram

### 15.15.1 Clocks

The vast majority of the controller logic is driven by the 60 MHz clock from the ULPI PHY. The controller's interconnect is driven by the AHB/APB interface CPU\_1x clock which is generated by the PS clock subsystem.

#### CPU\_1x Clock

Refer to section 25.3 System-wide Clock Frequency Examples, for general clock programming information. The CPU\_1x clock runs asynchronous to the 60 MHz PHY Clock. The frequency of the CPU\_1x clock must be set higher than the 60 MHz ULPI clock from the external PHY.

#### 60 MHz PHY Clock

The external PHY provides a 60 MHz clock that the ULPI is sync'd to and is used by the a majority of the controller logic.

## 15.15.2 Reset Types

To reset the controller, software writes a 1 to the usb.USBCMD [RST] bit. When the reset process is completed, the controller hardware sets this bit to 0. Once the reset is started, the controller cannot stop the process. Writing a 0 has no effect.

When software writes a 1 to this bit, the Controller resets its internal pipelines, timers, counters, and state machines to their initial value. Any transaction currently in progress on USB is immediately terminated. A USB reset is not driven to downstream ports. Software should not set this bit to a 1 when the host controller halt bit, usb.USBSTS [HCH], = 0. Attempting to reset an actively running host controller will result in undefined behavior.

### Controller Resets

- PS Reset System (full controller reset),
- usb.USBCMD [RST] bit (partial controller reset useful for OTG).
- OTG Mode Auto-Reset

### ULPI PHY Reset

The USB controller does not have a reset output for the ULPI PHY. Instead, a PS or PL GPIO (or other software controlled reset signal) must be connected to the PHY as shown in [Figure 15-19, page 461](#).

### USB Bus Reset

The host controller generates the standard USB reset as described in the EHCI specification. The optional light host reset is not supported. The response by the device controller is described in section [15.4.2 USB Bus Reset Response](#).

### Summary of Resets

The controller has multiple reset sources and multiple reset domains. These are summarized in [Table 15-49 USB Resets Summary List](#).

Table 15-49: USB Resets Summary List

Reset Name	Controller State	Registers	IRQ	Reference
<b>PS System Reset</b> AMBA (APB/AHB) Interface Reset slcr.USB_RST_CTRL [USBx_CPU1X_RST]	Yes	Yes	no	<a href="#">Chapter 26, Reset System</a> . Reset values: <a href="#">Appendix B, Register Details</a> .
<b>usb.USBCMD [RST]</b> (partial controller reset)		Partial	no	Device and Host Modes
<b>OTG mode Auto-Reset</b> Hardware Assistance usb.USBOTG [HAAR]			no	Section <a href="#">15.14.1 Hardware Assistance Features</a>
<b>PHY reset</b> Output from PS GPIO controller	no effect	no effect	no	<a href="#">Chapter 15, USB Host, Device, and OTG Controller</a>

Table 15-49: USB Resets Summary List (Cont'd)

Reset Name	Controller State	Registers	IRQ	Reference
<b>Send USB Reset</b> (Host Mode)	no effect	no effect	no	Software Example.
<b>Receive USB Reset</b> (Device Mode)	no effect	no effect	[URI]	Software Example.

### 15.15.3 System Interrupt

Each controller sends its own IRQ interrupt to the GIC interrupt controller and to the EMIO interface based on events within the controller. Controller 0 generates IRQ #53 and controller 1 generates IRQ #76. These are shown in more detail in section [7.2.3 Shared Peripheral Interrupts \(SPI\)](#).

The individual host and device mode interrupts can be read and cleared using the usb.USBSTS register and masked using the usb.USBINTR register. These interrupts are described in section [15.3.5 Interrupt and Status Bits Overview](#).

The individual OTG interrupts are contained in the usb.OTGSC register and described in section [15.14.2 OTG Interrupt and Control Bits](#).

### 15.15.4 APB Slave Interface

The 32-bit APB slave interface is used by the software to read and write the control and status registers. The interface is AMBA 3.0 compatible. All signals are used except PRESET\_N and PSLVERR.

### 15.15.5 AHB Master Interface

The 32-bit AHB master interface is used by the DMA controller to read and write data packets and transfer descriptors. The interface is AMBA 3.0 compatible.

#### Unused Signals

All of the AHB interface signals are used except:

- PROT[3:0] are tied to 0001 (non-cacheable transactions).

---

## 15.16 I/O Interfaces

The controller has multiple I/O interfaces including the main ULPI that interfaces via MIO to the external PHY and the port indicator and power signals via EMIO. The routing of the ULPI through the MIO must be programmed. The routing of the signals through the EMIO is always available to logic in the PL that can route these signals to the SelectIO pins.

## 15.16.1 Wiring Connections

The wiring connections for both MIO and EMIO are shown in [Figure 15-19](#).

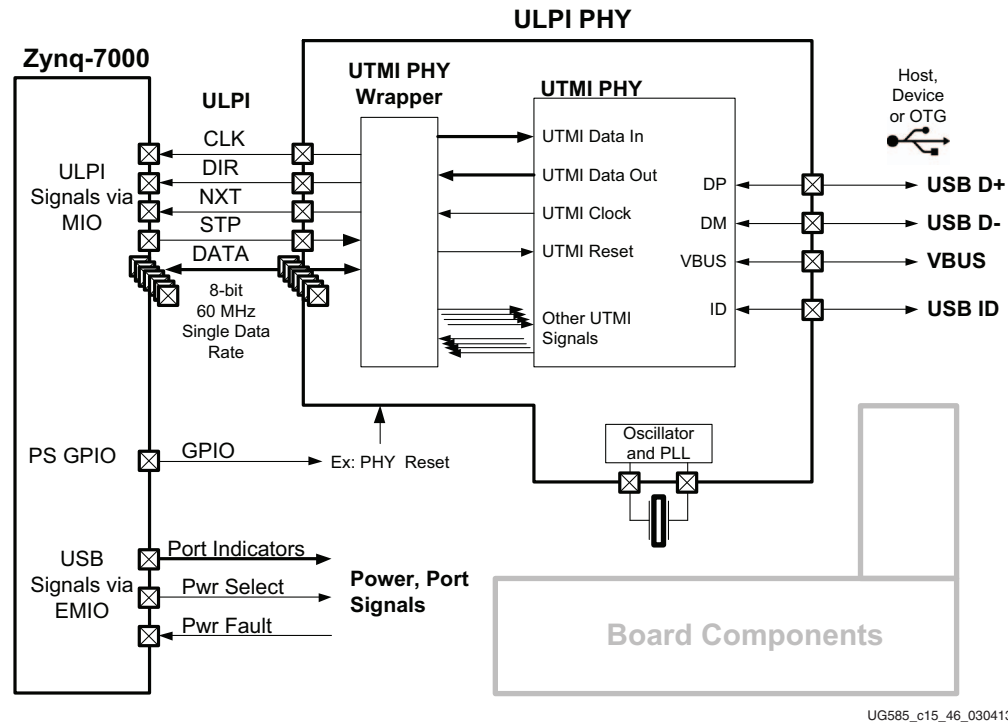


Figure 15-19: USB I/O Signal and PHY Wiring Diagram

## 15.16.2 MIO-EMIO Programming

### MIO Pins

The ULPI signals from each controller are routed to specific MIO pins. In this chapter, refer to [Table 15-50 USB ULPI Signals on MIO](#). A wiring diagram is shown in [Figure 15-19](#), page 461.

The general routing concepts and MIO I/O buffer configurations are explained in section 2.5 [PS-PL MIO-EMIO Signals and Interfaces](#). A summary of the MIO pins is shown in section 2.5.4 [MIO-at-a-Glance Table](#).

### Example: Program I/O for Controller 1

These steps configure the USB controller 1 onto MIO pins 40 to 51.

1. **Configure MIO pins 40, 44 - 47 and 49 -51 for data I/O.** Write to the associated slcr registers, MIO\_PIN\_{40, 44-47}:
  - a. Route USB ULPI data signal to I/O buffer.
  - b. 3-state controlled by USB controller (TRI\_ENABLE = 0).

- c. LVCMOS18 (refer to the register definition for other voltage options).
  - d. Slow CMOS edge.
  - e. Disable internal pull-up resistor.
  - f. Disable HSTL receiver.
2. **Configure MIO pins 41, 43, and 48 for input.** Write to each of the slcr.MIO\_PIN\_{48, 43, 41} registers:
- a. Route USB ULPI input signals DIR to pin 41, STP to pin 43 and CLK to pin 48.
  - b. Disable output (TRI\_ENABLE = 1).
  - c. LVCMOS18 (refer to the register definition for other voltage options).
  - d. Slow CMOS drive edge (benign setting).
  - e. Disable internal pull-up resistor.
  - f. Disable HSTL receiver.
3. **Configure MIO pin 42 for output.** Write to the slcr.MIO\_PIN\_42 register:
- a. Route USB ULPI output signal STP to pin 42.
  - b. 3-state controlled by USB Controller (TRI\_ENABLE = 0).
  - c. LVCMOS18 (refer to the register definition for other voltage options).
  - d. Slow CMOS edge.
  - e. Disable internal pull-up resistor.
  - f. Disable HSTL receiver.

### 15.16.3 MIO-EMIO Signals

The ULPI interface signals are listed in [Table 15-50](#). The port indicator and power signals are shown in [Table 15-51](#).

The 7z010 CLG225 device supports 32 MIO pins. Pin restrictions are shown in the MIO table in section [2.5.4 MIO-at-a-Glance Table](#).

Table 15-50: USB ULPI Signals on MIO

USB Port Signals	MIO Pins				Default Input Value to Controller
	USB 0	USB 1	I/O	Name	
Transmit and receive data 4	28	40	IO	USB{0,1}_ULPI_DATA4	~
Data bus direction control	29	41	I	USB{0,1}_ULPI_DIR	0
Stop the Transfer (end/interrupt)	30	42	O	USB{0,1}_ULPI_STP	~
Data flow control signal	31	43	I	USB{0,1}_ULPI_NXT	0
Transmit and receive data 0	32	44	IO	USB{0,1}_ULPI_DATA0	~
Transmit and receive data 1	33	45	IO	USB{0,1}_ULPI_DATA1	~
Transmit and receive data 2	34	46	IO	USB{0,1}_ULPI_DATA2	~

Table 15-50: USB ULPI Signals on MIO (Cont'd)

USB Port Signals	MIO Pins				Default Input Value to Controller
	USB 0	USB 1	I/O	Name	
Transmit and receive data 3	35	47	IO	USB{0,1}_ULPI_DATA3	~
Transceiver clock for ULPI	36	48	I	USB{0,1}_ULPI_CLK	0
Transmit and receive data 5	37	49	IO	USB{0,1}_ULPI_DATA5	~
Transmit and receive data 6	38	50	IO	USB{0,1}_ULPI_DATA6	~
Transmit and receive data 7	39	51	IO	USB{0,1}_ULPI_DATA7	~

Table 15-51: USB Port Indicator and Power Signals on EMIO

USB Port Signals	EMIO Signals		Default Input Value to Controller
	Name	I/O	
Port Indicator	EMIOUSB{0,1}PORTINDCTL{0,1}	O	~
Power Fault	EMIOUSB{0,1}VBUSPWRFAULT	I	0
Power Select	EMIOUSB{0,1}VBUSPWRSELECT	O	~

# Gigabit Ethernet Controller

---

## 16.1 Introduction

The Gigabit Ethernet Controller (GEM) implements a 10/100/1000 Mb/s Ethernet MAC compatible with the IEEE 802.3-2008 standard capable of operating in either half or full duplex mode at all three speeds. The PS is equipped with two Gigabit Ethernet Controllers. Each controller can be configured independently. To access pins via MIO, each controller uses an RGMII interface (to save pins). Access to the PL is through the EMIO which provides the GMII interface.

Other Ethernet communications interfaces can be created in the PL using the GMII available on the EMIO interface. For example, the PL can be used to implement these interfaces:

- SGMII and 1000 Base-X, in devices with GTX
- RGMII v2.0 for PHY devices with HSTL Class 1 drivers and receivers

Registers are used to configure the features of the MAC, select different modes of operation, and enable and monitor network management statistics. The DMA controller connects to memory through an AHB bus interface. It is attached to the controller's FIFO interface of the MAC to provide a scatter-gather type capability for packet data storage in an embedded processing system.

The controllers provide MDIO interfaces for PHY management. The PHYs can be controlled from either of the MDIO interfaces.



## 16.1.1 Block Diagram

A block diagram of one Ethernet controller is shown in Figure 16-1.

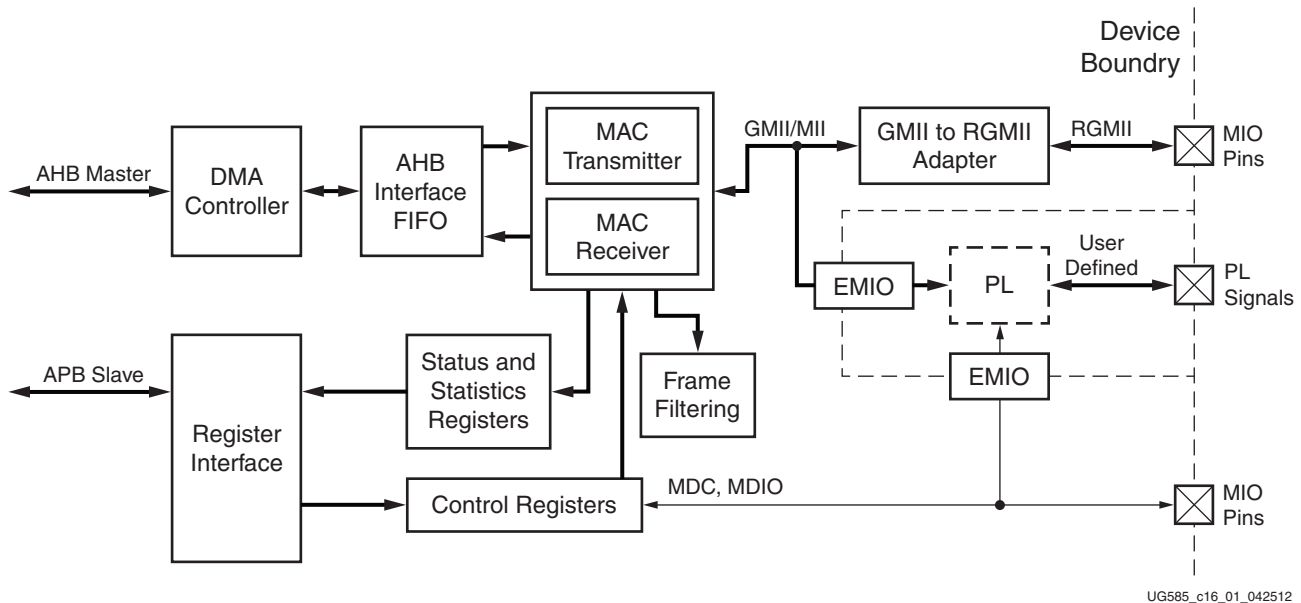


Figure 16-1: Ethernet Controller

## 16.1.2 Features

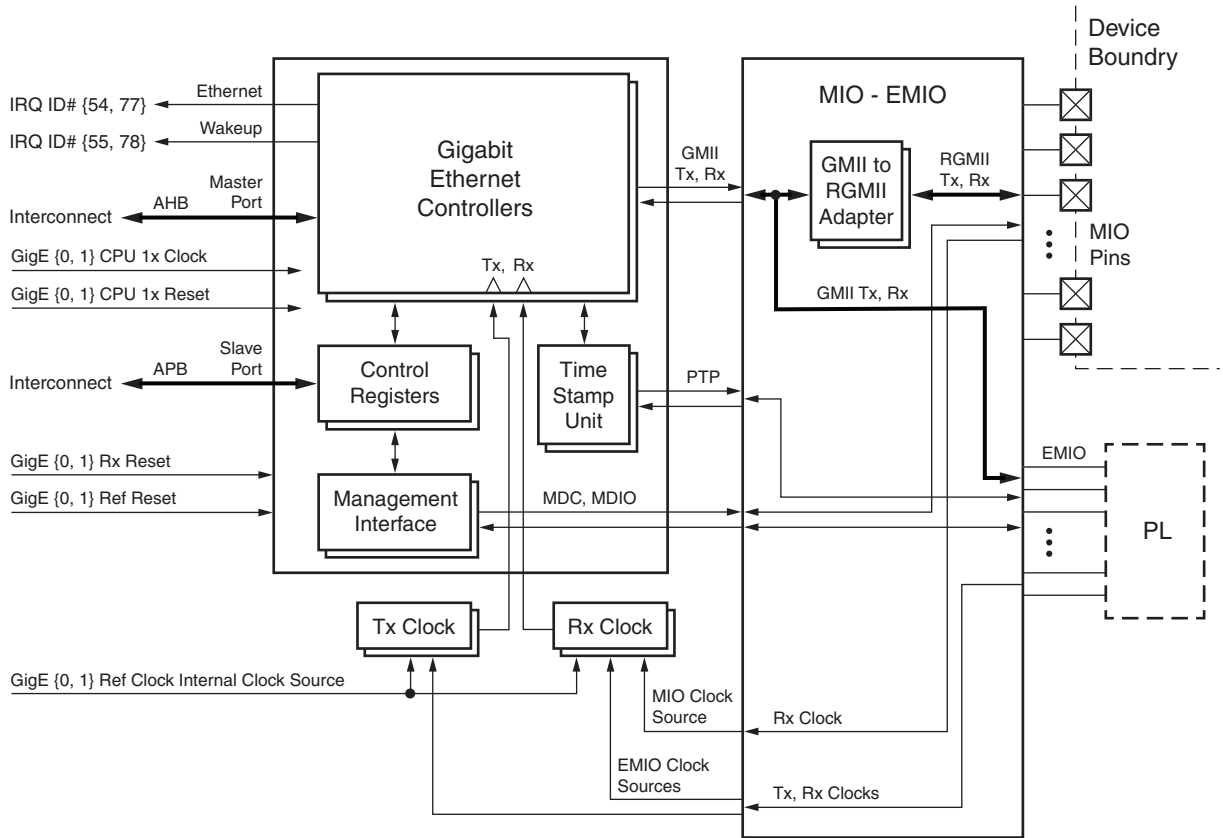
Each Gigabit Ethernet MAC controller has the following features:

- IEEE Standard 802.3-2008 compatible, supporting 10/100/1000 Mb/s transfer rates
- Full and half duplex operation
- RGMII interface with external PHY when using MIO pins
- GMI/MII interface to the PL to allow connection of interfaces such as TBI, SGMII, 1000 Base-X and RGMII v2.0 support using soft cores (Note: SGMII and 1000 Base-X interfaces require a gigabit transceiver, MGT)
- MDIO interface for physical layer management
- 32-bit AHB DMA master, 32-bit APB bus for control registers access
- Scatter-gather DMA capability
- Interrupt generation to signal receive and transmit completion, or errors and wake-up
- Automatic pad and cyclic redundancy check (CRC) generation on transmitted frames
- Automatic discard of frames received with errors
- Programmable IPG stretch
- Full duplex flow control with recognition of incoming pause frames and hardware generation of transmitted pause frames

- Address checking logic for four specific 48-bit addresses, four type ID values, promiscuous mode, external address checking, hash matching of unicast and multicast destination addresses and Wake-on-LAN
- 802.1Q VLAN tagging with recognition of incoming VLAN and priority tagged frames
- Supports Ethernet loopback mode
- IPv4 and IPv6 transmit and receive IP, TCP and UDP checksum offload
- Recognition of 1588 rev. 2 PTP frames
- Statistics counter registers for RMON/MIB

### 16.1.3 System Viewpoint

Figure 16-2 shows Zynq system viewpoint for the Gigabit Ethernet controllers.



UG585\_c16\_02\_071112

Figure 16-2: System Viewpoint

## 16.1.4 Clock Domains

The Gigabit Ethernet controller has the following clocks:

- AHB clock: AHB clock used by DMA block
- APB clock: APB clock used by MAC register block
- TSU clock: Alternate clock source for the Time Stamp Unit
- TX clock: MAC transmit clock used by MAC transmit block in MII/RGMII/GMII mode
- Rx clock: MAC receive clock used MAC receive synchronisation in MII/RGMII/GMII mode
- Invert TX clock: Inverted Tx clock used in loop back mode

Refer to [Table 24-2, page 661](#) for the more details about power management. Refer to [Chapter 25, Clocks](#) for details about the clocks.

## 16.1.5 Notices

### 7z010 CLG225 Device

This device supports 32 MIO pins and at most one Ethernet interface through the MIO pins. This is shown in the MIO table in section [2.5.4 MIO-at-a-Glance Table](#). One or both of the Ethernet controllers can interface to logic in the PL. All of the 7z010 CLG225 device restrictions are listed in section [1.1.3 Notices](#).

### Jumbo Frames

Jumbo frames are not supported.

### Half Duplex

Gigabit Half Duplex is not supported.

### IEEE 1588 Time Stamp

IEEE 1588 version 2 introduces transparent clocks of which there are two kinds, peer-to-peer (P2P) and end-to-end (E2E). There is no transparent clock support in the time stamp unit.

## 16.2 Functional Description and Programming Model

The controller comprises four main components:

- MAC controlling transmit, receive, address checking, and loopback
- Control and status registers, statistics registers, and synchronization logic
- DMA controlling data transmit and receive through an AHB master interface
- Time stamp unit (TSU) for calculating the *IEEE 1588* timer values

### 10/100/1000 Operation

The gigabit enable bit in the Network Configuration register selects between 10/100 Mb/s Ethernet operation and 1000 Mb/s mode. The 10/100 Mb/s speed bit in the network configuration register is used to select between 10 Mb/s and 100 Mb/s.

### MDIO Interface

Both controllers provide MDIO interfaces, however, only one interface is needed to control both of the external PHYs due to the difference in PHY address.

### 16.2.1 MAC Transmitter

The MAC transmitter can operate in either half duplex or full duplex mode, and transmits frames in accordance with the Ethernet IEEE 802.3 standard. In half duplex mode, the CSMA/CD protocol of the IEEE 802.3 specification is followed.

Frame assembly starts by adding the preamble and the start frame delimiter. Data is taken from the transmit FIFO a word at a time. When the controller is configured for gigabit operation, the data output to the PHY uses all eight bits of the txd[7:0] output. In 10/100 mode, transmit data to the PHY is nibble wide and least significant nibble first using txd[3:0] with txd[7:4] tied to logic 0.

If necessary, padding is added to take the frame length to 60 bytes. CRC is calculated using an order 32 bit polynomial. This is inverted and appended to the end of the frame taking the frame length to a minimum of 64 bytes. If the no-CRC bit is set in the second word of the last buffer descriptor of a transmit frame, neither pad nor CRC are appended. The no-CRC bit can also be set through the FIFO.

In full duplex mode (at all data rates), frames are transmitted immediately. Back-to-back frames are transmitted at least 96 bit times apart to guarantee the interframe gap.

In half duplex mode, the transmitter checks carrier sense. If asserted, the transmitter waits for the signal to become inactive, and then starts transmission after the interframe gap of 96 bit times. If the collision signal is asserted during transmission, the transmitter transmits a jam sequence of 32 bits taken from the data register and then retries transmission after the back off time has elapsed. If the collision occurs during either the preamble or SFD, then these fields are completed prior to generation of the jam sequence.

The back off time is based on an XOR of the 10 least significant bits of the data coming from the transmit FIFO and a 10-bit pseudo random number generator. The number of bits used depends on the number of collisions seen. After the first collision 1 bit is used, then the second 2 bits and so on up to the maximum of 10 bits. All 10 bits are used above ten collisions. An error is indicated and no further attempts are made if 16 consecutive attempts cause a collision. This operation is compatible with the description in *Clause 4.2.3.2.5 of the IEEE 802.3 standard* which refers to the truncated binary exponential back off algorithm.

In 10/100 mode, both collisions and late collisions are treated identically, and back off and retry are performed up to 16 times. When operating in gigabit mode, late collisions are treated as an exception and transmission is aborted, without retry. This condition is reported in the transmit buffer descriptor word 1 (late collision, bit 26) and also in the Transmit Status register (late collision, bit 7). An interrupt can also be generated (if enabled) when this exception occurs, and bit 5 in the Interrupt Status Register is set.

When bit [28] is set in the Network Configuration register the IPG can be stretched beyond 96 bits depending on the length of the previously transmitted frame and the value written to the IPG\_STRETCH register. The least significant 8 bits of the IPG\_STRETCH register multiply the previous frame length (including preamble) the next significant 8 bits (+1 so as not to get a divide by zero) divide the frame length to generate the IPG. IPG stretch only works in full duplex mode and when bit 28 is set in the Network Configuration register. The IPG\_STRETCH register cannot be used to shrink the IPG below 96 bits.

If the back pressure bit is set in the Network Control register or if the `half_duplex_flow_control_en` input is set in 10M or 100M half duplex mode, the transmit block transmits 64 bits of data, which can consist of 16 nibbles of 1011 or in bit rate mode 64 1s, whenever it sees an incoming frame to force a collision. This provides a way of implementing flow control in half duplex mode.

## 16.2.2 MAC Receiver

All processing within the MAC receiver uses 16-bit data paths. The MAC receiver checks for valid preamble, FCS, alignment, and length. It then sends the received frames to the FIFO (to either the DMA controller or external to the IP core) and stores the frames destination address for use by the address checking block.

If, during frame reception, the frame is found to be too long, a bad frame indication is sent to the FIFO. The receiver logic ceases to send data to memory as soon as this condition occurs.

At end of frame reception the receive block indicates to the DMA block whether the frame is good or bad. The DMA block recovers the current receive buffer if the frame was bad.

Ethernet frames are normally stored in DMA memory or to the FIFO complete with the FCS. Setting the FCS remove bit in the network configuration register (bit [17]) causes frames to be stored without their corresponding FCS. The reported frame length field is reduced by four bytes to reflect this operation.

The receive block signals to the register block to increment the alignment, CRC (FCS), short frame, long frame, jabber or receive symbol errors when any of these exception conditions occur.

If bit [26] is set in the network configuration CRC errors are ignored and frames with CRC errors are not discarded, though the Frame Check Sequence Errors Statistic register is still incremented. Bit[13]

of the receiver descriptor word 1 is updated to indicate the FCS validity for the particular frame. This is useful for applications where individual frames with FCS errors must be identified.

Received frames can be checked for length field error by setting the length field error frame discard bit of the Network Configuration register (bit [16]). When this bit is set, the receiver compares a frame's measured length with the length field (bytes 13 and 14) extracted from the frame. The frame is discarded if the measured length is shorter. This checking procedure is for received frames between 64 bytes and 1,518 bytes in length.

Each discarded frame is counted in the 10-bit length field Error Statistics register. Frames where the length field is greater than or equal to 0x0600 are not checked.

### 16.2.3 MAC Filtering

The MAC filter determines which frames should be written to the AHB interface FIFO and onto the DMA controller.

Whether a frame is passed depends on what is enabled in the Network Configuration register, the state of the external matching pins, the contents of the specific address, type, and hash registers and the frame's destination address and type field.

If bit [25] of the Network Configuration register is not set, a frame is not copied to memory if the Gigabit Ethernet controller is transmitting in half duplex mode at the time a destination address is received.

Ethernet frames are transmitted a byte at a time, least significant bit first. The first six bytes (48 bits) of an Ethernet frame make up the destination address. The first bit of the destination address, which is the LSB of the first byte of the frame, is the group or individual bit. This is one for multicast addresses and zero for unicast. The all-ones address is the broadcast address and a special case of multicast.

The Gigabit Ethernet controller supports recognition of four specific addresses. Each specific address requires two registers, Specific Address register bottom and Specific Address register top. Specific address register bottom stores the first four bytes of the destination address and Specific Address register top contains the last two bytes. The addresses stored can be specific, group, local or universal.

The destination address of received frames is compared against the data stored in the Specific Address registers once they have been activated. The addresses are deactivated at reset or when their corresponding Specific Address register bottom is written. They are activated when Specific Address register top is written. If a receive frame address matches an active address, the frame is written to the FIFO and on to DMA controller, if used.

Frames can be filtered using the type ID field for matching. Four type ID registers exist in the register address space and each can be enabled for matching by writing a one to the MSB (bit [31]) of the respective register. When a frame is received, the matching is implemented as an OR function of the various types of match.

The contents of each type ID registers (when enabled) are compared against the length/type ID of the frame being received (e.g., bytes 13 and 14 in non-VLAN and non-SNAP encapsulated frames) and copied to memory if a match is found. The encoded type ID match bits (Word 0, bit [22] and bit

[23]) in the receive buffer descriptor status are set indicating which type ID register generated the match, if the receive checksum offload is disabled.

The reset state of the type ID registers is zero, hence each is initially disabled.

The following example illustrates the use of the address and type ID match registers for a MAC address of 21 : 43 : 65 : 87 : A9 : CB

Preamble	55
SFD	D5
DA (Octet 0 - LSB)	21
DA (Octet 1)	43
DA (Octet 2)	65
DA (Octet 3)	87
DA (Octet 4)	A9
DA (Octet 5 - MSB)	CB
SA (LSB)	00*
SA	00*
SA	00*
SA	00*
SA	00*
SA (MSB)	00*
Type ID (MSB)	43
Type ID (LSB)	21

**Note:** \* – contains the address of the transmitting device.

The sequence above shows the beginning of an Ethernet frame. Byte order of transmission is from top to bottom as shown. For a successful match to specific address 1, the following address matching registers must be set up:

Specific address 1 bottom (Address 0x088)	0x87654321
Specific address 1 top (Address 0x08C)	0x0000CBA9

And for a successful match to the type ID, the following type ID match 1 register must be set up:

Type ID Match 1 (Address 0x0A8)	0x80004321
---------------------------------	------------

### Broadcast Address

Frames with the broadcast address of 0xFFFFFFFFFFFF are stored to memory only if the 'no broadcast' bit in the Network Configuration register is set to zero.

### Hash Addressing

The Hash Address register is 64 bits long and takes up two locations in the memory map. The least significant bits are stored in Hash register bottom and the most significant bits in Hash register top.

The unicast hash enable and the multicast hash enable bits in the Network Configuration register enable the reception of hash matched frames. The destination address is reduced to a 6 bit index into the 64 bit hash register using the following hash function. The hash function is an XOR of every sixth bit of the destination address.

```

hash_index[05] = da[05] ^ da[11] ^ da[17] ^ da[23] ^ da[29] ^ da[35] ^ da[41] ^ da[47]
hash_index[04] = da[04] ^ da[10] ^ da[16] ^ da[22] ^ da[28] ^ da[34] ^ da[40] ^ da[46]
hash_index[03] = da[03] ^ da[09] ^ da[15] ^ da[21] ^ da[27] ^ da[33] ^ da[39] ^ da[45]
hash_index[02] = da[02] ^ da[08] ^ da[14] ^ da[20] ^ da[26] ^ da[32] ^ da[38] ^ da[44]
hash_index[01] = da[01] ^ da[07] ^ da[13] ^ da[19] ^ da[25] ^ da[31] ^ da[37] ^ da[43]
hash_index[00] = da[00] ^ da[06] ^ da[12] ^ da[18] ^ da[24] ^ da[30] ^ da[36] ^ da[42]
    
```

da[0] represents the least significant bit of the first byte received, that is, the multicast/unicast indicator, and da[47] represents the most significant bit of the last byte received.

If the hash index points to a bit that is set in the Hash register then the frame is matched according to whether the frame is multicast or unicast.

A multicast match is signaled if the multicast hash enable bit is set, da[0] is logic 1 and the hash index points to a bit set in the Hash register. A unicast match is signaled if the unicast hash enable bit is set, da[0] is logic 0 and the hash index points to a bit set in the Hash register. To receive all multicast frames, the Hash register should be set with all ones and the multicast hash enable bit should be set in the Network Configuration register.

### Copy All Frames (or Promiscuous Mode)

If the copy all frames bit is set in the Network Configuration register then all frames (except those that are too long, too short, have FCS errors, or have rx\_er asserted during reception) are copied to memory. Frames with FCS errors are copied if bit [26] is set in the Network Configuration register.

### Disable Copy of Pause Frames

Pause frames can be prevented from being written to memory by setting the disable copying of pause frames control bit [23] in the Network Configuration register. When set, pause frames are not copied to memory regardless of the copy all frames bit, whether a hash match is found, a type ID match is identified, or if a destination address match is found.

### VLAN Support

An Ethernet encoded 802.1Q VLAN tag is shown in [Table 16-1](#)

Table 16-1: VLAN Tag Control Information

TPID (Tag Protocol Identifier) 16 Bits	TCI (Tag Control Information) 16 Bits
0x8100	First 3 bits priority, then CFI bit, last 12 bits VID

The VLAN tag is inserted at the 13th byte of the frame adding an extra four bytes to the frame. To support these extra four bytes, the Gigabit Ethernet controller can accept frame lengths up to 1,536 bytes by setting bit [8] in the Network Configuration register.

If the VID (VLAN identifier) is null (0x000) a priority-tagged frame is indicated.



The following bits in the receive buffer descriptor status word provide information about VLAN tagged frames:

- Bit [21] set if receive frame is VLAN tagged (i.e. type id of 0x8100).
- Bit [20] set if receive frame is priority tagged (i.e. type id of 0x8100 and null VID). (If bit [20] is set bit [21] is also set).
- Bits [19], [18] and [17] set to priority if bit [21] is set.
- Bit [16] set to CFI if bit [21] is set.

The controller can be configured to reject all frames except VLAN tagged frames by setting the discard non-VLAN frames bit in the Network Configuration register.

## 16.2.4 Wake-on-LAN Support

The receive block supports Wake-on-LAN by detecting the following events on incoming receive frames:

- Magic packet
- ARP request to the device IP address
- Specific address 1 filter match
- Multicast hash filter match

If one of these events occurs, Wake-on-LAN detection is indicated by asserting the wake-up interrupt. These events can be individually enabled through bits[19:16] of the Wake-on-LAN register. Also, for Wake-on-LAN detection to occur receive enable must be set in the Network Control register, however a receive buffer does not have to be available.

The wake-up interrupt is asserted due to multicast filter events, an ARP request, or a specific address 1 match even in the presence of a frame error. For magic packet events, the frame must be correctly formed and error free.

A magic packet event is detected if all of the following are true:

- Magic packet events are enabled through bit [16] of the Wake-on-LAN register
- The frame's destination address matches specific address 1
- The frame is correctly formed with no errors
- The frame contains at least 6 bytes of 0xFF for synchronization
- There are 16 repetitions of the contents of Specific Address 1 register immediately following the synchronization

An ARP request event is detected if all of the following are true:

- ARP request events are enabled through bit [17] of the Wake-on-LAN register
- Broadcasts are allowed by bit 5 in the Network Configuration register
- The frame has a broadcast destination address (bytes 1 to 6)
- The frame has a typeID field of 0x0806 (bytes 13 and 14)

- The frame has an ARP operation field of 0x0001 (bytes 21 and 22)
- The least significant 16 bits of the frame's ARP target protocol address (bytes 41 and 42) match the value programmed in bits[15:0] of the Wake-on-LAN register

The decoding of the ARP fields adjusts automatically if a VLAN tag is detected within the frame. The reserved value of 0x0000 for the Wake-on-LAN target address value does not cause an ARP request event, even if matched by the frame.

A specific address 1 filter match event occurs if all of the following are true:

- Specific address 1 events are enabled through bit [18] of the Wake-on-LAN register
- The frame's destination address matches the value programmed in the Specific Address 1 registers

A multicast filter match event occurs if all of the following are true:

- Multicast hash events are enabled through bit [19] of the Wake-on-LAN register
- Multicast hash filtering is enabled through bit [6] of the Network Configuration register
- The frame destination address matches against the multicast hash filter
- The frame destination address is not a broadcast

## 16.2.5 DMA Block

The DMA controller is attached to the FIFO to provide a scatter-gather type capability for packet data storage in an embedded processing system.

### Packet Buffer DMA

The controller uses a packet buffer which has the following features

- 32 data bus width support
- Easier to guarantee maximum line rate due to the ability to store multiple frames in the packet buffer
- More efficient use of the AHB interface
- Full store and forward
- Support for Transmit TCP/IP checksum offload
- Support for priority queuing
- When a collision on the line occurs during transmission, the packet is automatically replayed directly from the packet buffer memory rather than having to re-fetch through the AHB interface
- Received error packets are automatically dropped before any of the packet is presented to the AHB, thus reducing AHB activity
- Supports manual RX packet flush capabilities
- RX packet flush when there is lack of AHB resource

## DMA Controller

The DMA uses separate transmit and receive lists of buffer descriptors, with each descriptor describing a buffer area in memory. This allows Ethernet packets to be broken up and scattered around the AHB memory space.

The DMA controller performs four types of operation on the AHB bus. In order of priority these are:

- Receive buffer manager write/read
- Transmit buffer manager write/read
- Receive data DMA write
- Transmit data DMA read

Transfer size is set to 32-bit words using the AHB bus width select bits in the Network Configuration register, and burst size may be programmed to single access or bursts of 4, 8, or 16 words using the DMA Configuration register.

## Rx Buffers

Received frames, optionally including FCS, are written to receive AHB buffers stored in memory. The start location for each receive AHB buffer is stored in memory in a list of receive buffer descriptors at an address location pointed to by the receive-buffer queue pointer. The base address for the receive-buffer queue pointer is configured in software using the Receive Buffer Queue Base Address register.

Each list entry consists of two words. The first is the address of the receive AHB buffer and the second the receive status. If the length of a receive frame exceeds the AHB buffer length, the status word for the used buffer is written with zeroes except for the *start of frame* bit, which is always set for the first buffer in a frame. Bit zero of the address field is written to 1 to show that the buffer has been used. The receive-buffer manager then reads the location of the next receive AHB buffer and fills that with the next part of the received frame data. AHB buffers are filled until the frame is complete and the final buffer descriptor status word contains the complete frame status. Refer to [Table 16-2](#) for details of the receive buffer descriptor list.

Each receive AHB buffer start location is a word address. The start of the first AHB buffer in a frame can be offset by up to three bytes depending on the value written to bits [14] and [15] of the Network Configuration register. If the start location of the AHB buffer is offset the available length of the first AHB buffer is reduced by the corresponding number of bytes.

Table 16-2: Rx Buffer Descriptor Entry

Bit	Function
<i>Word 0</i>	
31:2	Address of beginning of buffer.
1	Wrap - marks last descriptor in receive buffer descriptor list.
0	Ownership - needs to be zero for the controller to write data to the receive buffer. The controller sets this to 1 once it has successfully written a frame to memory. Software must clear this bit before the buffer can be used again.

Table 16-2: Rx Buffer Descriptor Entry (Cont'd)

Bit	Function
<b>Word 1</b>	
31	Global all ones broadcast address detected.
30	Multicast hash match.
29	Unicast hash match.
28	External address match.
27	Specific address register match found,. bit 25 and bit 26 indicate which specific address register causes the match.
26:25	Specific address register match. Encoded as follows: 00b: Specific address register 1 match 01b: Specific address register 2 match 10b: Specific address register 3 match 11b: Specific address register 4 match If more than one specific address is matched only one is indicated with priority 4 down to 1.
24	This bit has a different meaning depending on whether RX checksum offloading is enabled. <ul style="list-style-type: none"> <li>• With RX checksum offloading disabled: (bit [24] clear in Network Configuration) Type ID register match found, bit [22] and bit [23] indicate which type ID register causes the match.</li> <li>• With RX checksum offloading enabled: (bit [24] set in Network Configuration)                             <ul style="list-style-type: none"> <li>0b: The frame was not SNAP encoded and/or had a VLAN tag with the CFI bit set.</li> <li>1b: The frame was SNAP encoded and had either no VLAN tag or a VLAN tag with the CFI bit not set.</li> </ul> </li> </ul>
23:22	This bit has a different meaning depending on whether RX checksum offloading is enabled. <p>With RX checksum offloading disabled: (bit [24] clear in Network Configuration) Type ID register match. Encoded as follows:</p> <ul style="list-style-type: none"> <li>00b: Type ID register 1 match</li> <li>01b: Type ID register 2 match</li> <li>10b: Type ID register 3 match</li> <li>11b: Type ID register 4 match</li> </ul> <p>If more than one Type ID is matched only one is indicated with priority 4 down to 1.</p> <p>With RX checksum offloading enabled: (bit [24] set in Network Configuration)</p> <ul style="list-style-type: none"> <li>00b: Neither the IP header checksum nor the TCP/UDP checksum was checked.</li> <li>01b: The IP header checksum was checked and was correct. Neither the TCP or UDP checksum was checked.</li> <li>10b: Both the IP header and TCP checksum were checked and were correct.</li> <li>11b: Both the IP header and UDP checksum were checked and were correct.</li> </ul>
21	VLAN tag detected – type ID of 0x8100. For packets incorporating the stacked VLAN processing feature, this bit is set if the second VLAN tag has a type ID of 0x8100.
20	Priority tag detected – type ID of 0x8100 and null VLAN identifier. For packets incorporating the stacked VLAN processing feature, this bit is set if the second VLAN tag has a type ID of 0x8100 and a null VLAN identifier.
19:17	VLAN priority – only valid if bit [21] is set.
16	Canonical format indicator (CFI) bit – only valid if bit 21 is set.
15	End of frame – when set the buffer contains the end of a frame. If end of frame is not set, then the only valid status bit is start of frame (bit 14).

Table 16-2: Rx Buffer Descriptor Entry (Cont'd)

Bit	Function
14	Start of frame – when set the buffer contains the start of a frame. If both bits 15 and 14 are set, the buffer contains a whole frame.
13	This bit has a different meaning depending on whether ignore FCS mode are enabled. This bit is zero if ignore FCS mode is disabled. With ignore FCS mode enabled: (bit [26] set in Network Configuration Register). This indicates per frame FCS status as follows: 0b: Frame had good FCS. 1b: Frame had bad FCS, but was copied to memory as ignore FCS enabled.
12:0	These bits represent the length of the received frame which might or might not include FCS depending on whether FCS discard mode is enabled. <ul style="list-style-type: none"> <li>• With FCS discard mode disabled: (bit [17] clear in Network Configuration Register) Least significant 12-bits for length of frame including FCS.</li> <li>• With FCS discard mode enabled: (bit [17] set in Network Configuration Register) Least significant 12-bits for length of frame excluding FCS.</li> </ul>

The start location of the receive-buffer descriptor list must be written with the receive-buffer queue base address before reception is enabled (receive enable in the Network Control register). Once reception is enabled, any writes to the Receive-buffer Queue Base Address register are ignored. When read, it returns the current pointer position in the descriptor list, though this is only valid and stable when receive is disabled.

If the filter block indicates that a frame should be copied to memory, the receive data DMA operation starts writing data into the receive buffer. If an error occurs, the buffer is recovered.

An internal counter represents the receive-buffer queue pointer and it is not visible through the CPU interface. The receive-buffer queue pointer increments by two words after each buffer has been used. It re-initializes to the receive-buffer queue base address if any descriptor has its wrap bit set.

As receive AHB buffers are used, the receive AHB buffer manager sets bit zero of the first word of the descriptor to logic one indicating the AHB buffer has been used.

Software should search through the "used" bits in the AHB buffer descriptors to find out how many frames have been received, checking the start of frame and end of frame bits.

Received frames are written out to the AHB buffers as soon as enough frame data exists in the packet buffer. This might mean that several full AHB buffers are used before some error conditions can be detected. If a receive error is detected the receive buffer currently being written is recovered. Previous buffers are not recovered. For example, when receiving frames with CRC errors or excessive length, it is possible that a frame fragment might be stored in a sequence of AHB receive buffers. Software can detect this by looking for the start of frame bit set in a buffer following a buffer with no end of frame bit set.

For a properly working 10/100/1000 Ethernet system there should be no excessive length frames or frames greater than 128 bytes with CRC errors. Collision fragments are less than 128 bytes long, therefore it is a rare occurrence to find a frame fragment in a receive AHB buffer, when using the default value of 128 bytes for the receive buffers size.

Only good received frames are written out of the DMA, so no fragments exist in the AHB buffers due to MAC receiver errors. There is still the possibility of fragments due to DMA errors, for example used bit read on the second buffer of a multi-buffer frame.

If bit zero of the receive buffer descriptor is already set when the receive buffer manager reads the location of the receive AHB buffer, then the buffer has been already used and cannot be used again until software has processed the frame and cleared bit zero. In this case, the “buffer not available” bit in the Receive Status register is set and an interrupt is triggered. The receive resource error statistics register is also incremented.

The user can optionally select whether received frames should be automatically discarded when no AHB buffer resource is available. This feature is selected via bit [24] of the DMA Configuration register (by default, the received frames are not automatically discarded). If this feature is off, then received packets remain stored in the packet buffer until an AHB buffer resource next becomes available. This can lead to an eventual packet buffer overflow if packets continue to be received when bit zero (used bit) of the receive-buffer descriptor remains set. Note that after a used bit has been read, the receive-buffer manager re-reads the location of the receive buffer descriptor every time a new packet is received.

A receive overrun condition occurs when the receive packet buffer is full, or because hresp was not okay. In all other modes, a receive overrun condition occurs when either the AHB bus was not granted quickly enough, or because hresp was not okay, or because a new frame has been detected by the receive block, but the status update or write back for the previous frame has not yet finished. For a receive overrun condition, the receive overrun interrupt is asserted and the buffer currently being written is recovered. The next frame that is received whose address is recognized reuses the buffer.

A write to bit [18] of the Network Control register forces a packet from the receive packet buffer to be flushed. This feature is only acted upon when the RX DMA is not currently writing packet data out to AHB – i.e., it is in an IDLE state. If the RX DMA is active, a write to this bit is ignored.

## Tx Buffers

Frames to transmit are stored in one or more transmit AHB buffers. It should be noted that zero length AHB buffers are allowed and that the maximum number of buffers permitted for each transmit frame is 128.

The start location for each transmit AHB buffer is stored in memory in a list of transmit buffer descriptors at a location pointed to by the transmit-buffer queue pointer. The base address for this queue pointer is set in software using the Transmit-buffer Queue Base Address register. Each list entry consists of two words. The first is the byte address of the transmit buffer and the second containing the transmit control and status. For the packet buffer DMA, the start location for each AHB buffer is a byte address, the bottom bits of the address being used to offset the start of the data from the data-word boundary. For the FIFO based DMA, the address of the buffer is also a byte address. Frames can be transmitted with or without automatic CRC generation. If CRC is automatically generated, pad will also be automatically generated to take frames to a minimum length of 64 bytes. When CRC is not automatically generated (as defined in word 1 of the transmit buffer descriptor or through the control bus of the FIFO), the frame is assumed to be at least 64 bytes long and pad is not generated.

To transmit frames, the buffer descriptors must be initialized by writing an appropriate byte address to bits [31:0] in the first word of each descriptor list entry.

The second word of the transmit-buffer descriptor is initialized with control information that indicates the length of the frame, whether or not the MAC is to append CRC, and whether the buffer is the last buffer in the frame.

After transmission the status bits are written back to the second word of the first buffer along with the used bit. Bit [31] is the used bit which must be zero when the control word is read if transmission is to take place. It is written to one when the frame has been transmitted. Bits[29:20] indicate various transmit error conditions. Bit [30] is the wrap-bit which can be set for any buffer within a frame. If no wrap bit is encountered the queue pointer continues to increment.

The Transmit-buffer Queue Base Address register can only be updated while transmission is disabled or halted; otherwise any attempted write is ignored. When transmission is halted the transmit-buffer queue pointer maintains its value. Therefore, when transmission is restarted the next descriptor read from the queue is from immediately after the last successfully transmitted frame. While transmit is disabled (bit [3] of the network control is set Low), the transmit-buffer queue pointer resets to point to the address indicated by the Transmit-buffer Queue Base Address register. Note that disabling receive does not have the same effect on the receive-buffer queue pointer.

When the transmit queue is initialized, transmit is activated by writing to the transmit start bit (bit [9]) of the Network Control register. Transmit is halted when a buffer descriptor with its used bit set is read, a transmit error occurs, or by writing to the transmit halt bit of the Network Control register. Transmission is suspended if a pause frame is received while the pause enable bit is set in the network configuration register. Rewriting the start bit while transmission is active is allowed. This is implemented with a tx\_go variable which is readable in the Transmit Status register at bit location 3.

The tx\_go variable is reset when:

- Transmit is disabled
- A buffer descriptor with its ownership bit set is read
- Bit [10], tx\_halt, of the Network Control register is written
- There is a transmit error such as too many retries, late collision (gigabit mode only) or a transmit under-run

To set tx\_go, write to bit [9], tx\_start, of the Network Control register. Transmit halt does not take effect until any ongoing transmit finishes.

The entire contents of the frame are read into the transmit packet buffer memory, so the retry attempt is replayed directly from the packet buffer memory rather than having to re-fetch through the AHB.

If a used bit is read mid way through transmission of a multi buffer frame this is treated as a transmit error. Transmission stops, tx\_er is asserted and the FCS is bad.

If transmission stops due to a transmit error or a used bit being read, transmission is restarted from the first buffer descriptor of the frame being transmitted when the transmit start bit is rewritten.

Refer to [Table 16-3](#) for details of the transmit buffer descriptor list.

Table 16-3: Tx Buffer Descriptor Entry

Bit	Function
<b>Word 0</b>	
31:0	Byte address of buffer.
<b>Word 1</b>	
31	Used – must be zero for the controller to read data to the transmit buffer. The controller sets this to one for the first buffer of a frame once it has been successfully transmitted. Software must clear this bit before the buffer can be used again.
30	Wrap – marks last descriptor in transmit buffer descriptor list. This can be set for any buffer within the frame.
29	Retry limit exceeded, transmit error detected.
28	Always set to 0.
27	Transmit frame corruption due to AHB error – set if an error occurs whilst midway through reading transmit frame from the AHB, including HRESP errors and buffers exhausted mid frame (if the buffers run out during transmission of a frame then transmission stops, FCS shall be bad and tx_er asserted).
26	Late collision, transmit error detected. Late collisions only force this status bit to be set in gigabit mode.
25:23	Reserved.
22:20	Transmit IP/TCP/UDP checksum generation offload errors: <ul style="list-style-type: none"> <li>• 000b: No Error.</li> <li>• 001b: The Packet was identified as a VLAN type, but the header was not fully complete, or had an error in it.</li> <li>• 010b: The Packet was identified as a SNAP type, but the header was not fully complete, or had an error in it.</li> <li>• 011b: The Packet was not of an IP type, or the IP packet was invalidly short, or the IP was not of type IPv4/IPv6.</li> <li>• 100b: The Packet was not identified as VLAN, SNAP or IP.</li> <li>• 101b: Non supported packet fragmentation occurred. For IPv4 packets, the IP checksum was generated and inserted.</li> <li>• 110b: Packet type detected was not TCP or UDP. TCP/UDP checksum was therefore not generated. For IPv4 packets, the IP checksum was generated and inserted.</li> <li>• 111b: A premature end of packet was detected and the TCP/UDP checksum could not be generated.</li> </ul>
19:17	Reserved.
16	No CRC to be appended by MAC. When set this implies that the data in the buffers already contains a valid CRC and hence no CRC or padding is to be appended to the current frame by the MAC. This control bit must be set for the first buffer in a frame and is ignored for the subsequent buffers of a frame. Note that this bit must be clear when using the transmit IP/TCP/UDP checksum generation offload, otherwise checksum generation and substitution does not occur.
15	Last buffer, when set this bit indicates that the last buffer in the current frame has been reached.
14	Reserved.
13:0	Length of buffer.



## DMA Bursting on the AHB

The DMA always uses SINGLE, or INCR type AHB accesses for buffer management operations. When performing data transfers, the AHB burst length used can be programmed using bits [4:0] of the DMA Configuration register so that either SINGLE, INCR or fixed length incrementing bursts (INCR4, INCR8 or INCR16) are used where possible.

When there is enough space and enough data to be transferred, the programmed fixed length bursts are used. If there is not enough data or space available, for example when at the beginning or the end of a buffer, SINGLE type accesses are used. SINGLE type accesses are also used at 1,024 byte boundaries, so that the 1 KB boundaries are not burst over per AHB requirements.

The DMA does terminate a fixed length burst early, unless an error condition occurs on the AHB or if receive or transmit are disabled in the Network Control register.

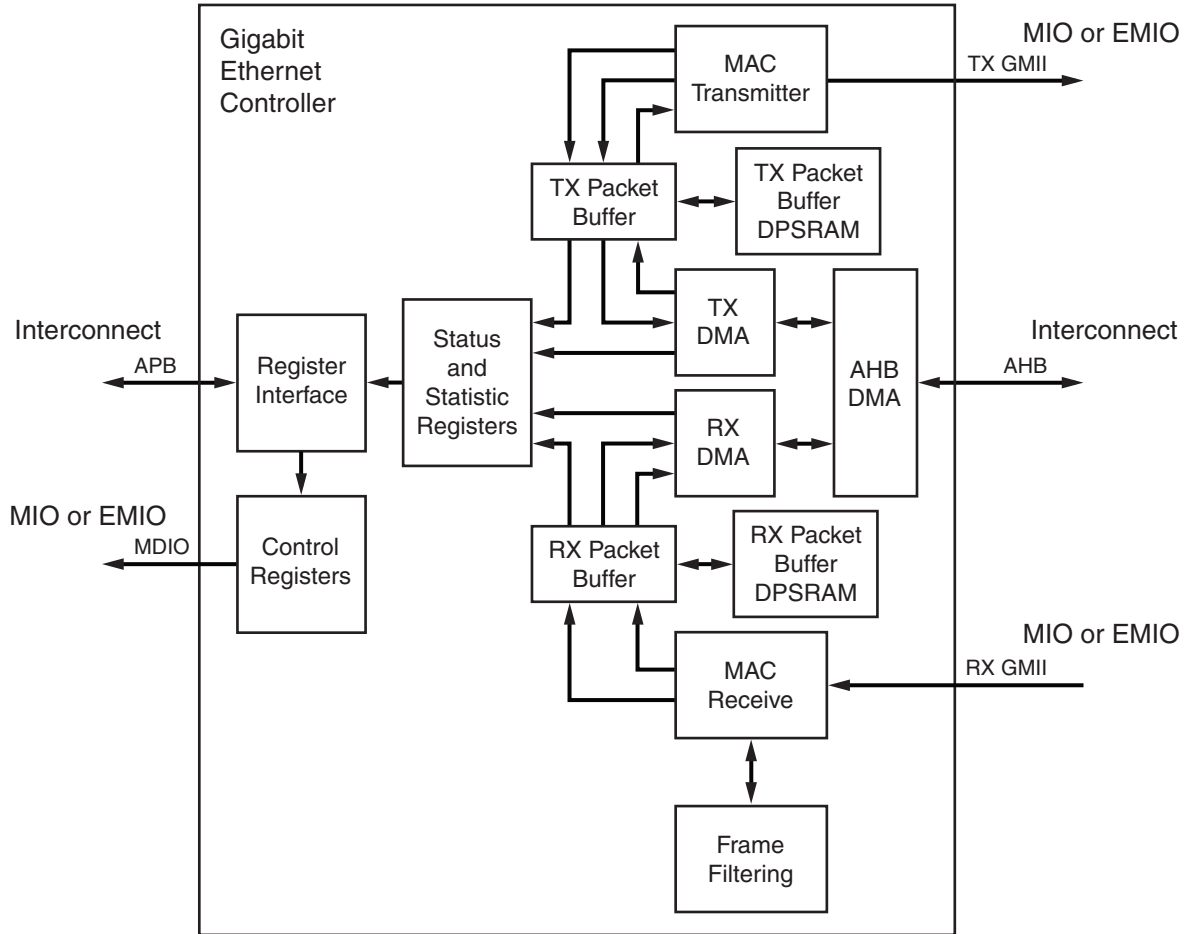
## DMA Packet Buffer

The DMA uses packet buffers for both transmit and receive paths. This mode allows multiple packets to be buffered in both transmit and receive directions. This allows the DMA to withstand far greater access latencies on the AHB and make more efficient use of the AHB bandwidth.

Full packets are buffered which provides the opportunity to:

- Discard packets with error on the receive path before they are partially written out of the DMA thus saving AHB bus bandwidth and driver processing overhead
- Retry collided transmit frames from the buffer, thus saving AHB bus bandwidth,
- Implement transmit IP/TCP/UDP checksum generation offload.

With the packet buffers included, the structure of the controller data paths is as shown in [Table 16-3](#).



UG585\_c16\_03\_101812

Figure 16-3: DMA Packet Buffer

In the transmit direction, the DMA continues to fetch packet data up to a limit of 256 packets, or until the buffer is full. The size of the buffer has a maximum usable size of 4 KB.

In the receive direction, if the buffer becomes full, then an overflow occurs. An overflow also occurs if the limit of 256 packets is breached. The size of the external buffer has a maximum usable size of 4 KB.

### Tx Packet Buffer

The transmitter packet buffer continues to attempt to fetch frame data from the AHB system memory until the packet buffer itself is full, at which point it attempts to maintain its full level.

To accommodate the status and statistics associated with each frame, three words per packet are reserved at the end of the packet data. If the packet was bad and requires to be dropped, the status and statistics are the only information held on that packet. Storing the status in the DPRAM is required to decouple the DMA interface of the buffer from the MAC interface, to update the MAC status/stats, and to generate interrupts in the order in which the packets that they represent were fetched from the AHB memory.

If any errors occur on the AHB while reading the transmit frame, the fetching of packet data from AHB memory is halted. The MAC transmitter continues to fetch packet data, thereby emptying the packet buffer and allowing any good non-errored frames to be transmitted successfully. When these have been fully transmitted, the status/stats for the errored frame is updated and software is informed via an interrupt that an AHB error occurred. This way, the error is reported in the correct packet order.

The transmit packet buffer only attempts to read more frame data from the AHB when space is available in the packet buffer memory. If space is not available it must wait until the packet fetched by the MAC completes transmission and is subsequently removed from the packet buffer memory. Note that if full store and forward mode is active, and if a single frame is fetched that is too large for the packet buffer memory, the frame is flushed and the DMA is halted with an error status. This is because a complete frame must be written into the packet buffer before transmission can begin, and therefore the minimum packet buffer memory size should be chosen to satisfy the maximum frame to be transmitted in the application.

When the complete transmit frame is written into the packet buffer memory, a trigger is sent across to the MAC transmitter, which then begins reading the frame from the packet buffer memory. Because the whole frame is present and stable in the packet buffer memory, an underflow of the transmitter is not possible. The frame is kept in the packet buffer until notification is received from the MAC that the frame data has either been successfully transmitted or can no longer be re-transmitted (too many retries in half duplex mode). When this notification is received the frame is flushed from memory to make room for a new frame to be fetched from AHB system memory.

In half duplex mode, the frame is kept in the packet buffer until notification is received from the MAC that the frame data has either been successfully transmitted or can no longer be re-transmitted (too many retries in half duplex mode). When this notification is received the frame is flushed from memory to make room for a new frame to be fetched from AHB system memory.

In full duplex mode, the frame is removed from the packet buffer on-the-fly.

Other than underflow, the only MAC related errors that can occur are due to collisions during half duplex transmissions. When a collision occurs the frame still exists in the packet buffer memory so it can be retried directly from there. Only when the MAC transmitter has failed to transmit after sixteen attempts is the frame finally flushed from the packet buffer.

### Rx Packet Buffer

The receive packet buffer stores frames from the MAC receiver along with their status and statistics. Frames with errors are flushed from the packet buffer memory, good frames are pushed onto the DMA AHB interface.

The receiver packet buffer monitors the FIFO writes from the MAC receiver and translates the FIFO pushes into packet buffer writes. At the end of the received frame the status and statistics are buffered so that the information can be used when the frame is read out. When programmed in full store and forward mode, if the frame has an error the frame data is immediately flushed from the packet buffer memory allowing subsequent frames to utilize the freed up space. The status and statistics for bad frames are still used to update the controller's registers.

**Note:** To accommodate the status and statistics associated with each frame, three words per packet are reserved at the end of the packet data. If the packet was bad and requires to be dropped, the status and statistics are the only information held on that packet.

The receiver packet buffer also detects a full condition such that an overflow condition can be detected. If this occurs, subsequent packets are dropped and an RX overflow interrupt is raised.

The DMA only begins packet fetches when the status and statistics for a frame are available. If the frame has a bad status due to a frame error, the status and statistics are passed onto the controller's registers. If the frame has a good status, the information is used to read the frame from the packet buffer memory and burst onto the AHB using the DMA buffer management protocol. After the last frame data has been transferred to the FIFO, the status and statistics are updated to the controller's registers.

## 16.2.6 Checksum Offloading

The controller can be programmed to perform IP, TCP, and UDP checksum offloading in both receive and transmit directions, enabled by setting bit [24] in the Network Configuration register for receive, and bit [11] in the DMA Configuration register for transmit.

IPv4 packets contain a 16-bit checksum field, which is the 16-bit 1's complement of the 1's complement sum of all 16-bit words in the header. TCP and UDP packets contain a 16-bit checksum field, which is the 16-bit 1's complement of the 1's complement sum of all 16-bit words in the header, the data, and a conceptual IP pseudo header.

To calculate these checksums in software requires each byte of the packet to be processed. For TCP and UDP this can use a large amount of processing power. Offloading the checksum calculation to hardware can result in significant performance improvements.

For IP, TCP, or UDP checksum offload to be useful, the operating system containing the protocol stack must be aware that this offload is available so that it can make use of the fact that the hardware can either generate or verify the checksum.

## Rx Checksum Offload

When receive checksum offloading is enabled, the IPv4 header checksum is checked per RFC 791, where the packet meets the following criteria:

- If present, the VLAN header must be four octets long and the CFI bit must not be set
- Encapsulation must be RFC 894 Ethernet Type encoding or RFC 1042 SNAP encoding
- IPv4 packet
- IP header is of a valid length

The controller also checks the TCP checksum per RFC 793, or the UDP checksum per RFC 768, if the following criteria are met:

- IPv4 or IPv6 packet
- Good IP header checksum (if IPv4)
- No IP fragmentation
- TCP or UDP packet

When an IP, TCP, or UDP frame is received, the receive buffer descriptor provides an indication if the controller was able to verify the checksums. There is also an indication if the frame had LLC SNAP encapsulation. These indication bits replace the type ID match indication bits when receive checksum offload is enabled.

If any of the checksums are verified to be incorrect by the controller, the packet is discarded and the appropriate statistics counter is incremented.

## Tx Checksum Offload

The transmitter checksum offload is only available when the full store and forward mode is enabled. This is because the complete frame to be transmitted must be read into the packet buffer memory before the checksum can be calculated and written back into the headers at the beginning of the frame.

Transmitter checksum offload is enabled by setting bit [11] in the DMA Configuration register. When enabled, it monitors the frame as it is written into the transmitter packet buffer memory to automatically detect the protocol of the frame. Protocol support is identical to the receiver checksum offload.

For transmit checksum generation and substitution to occur, the protocol of the frame must be recognized and the frame must be provided without the FCS field, by ensuring that bit [16] of the transmit descriptor word 1 is clear. If the frame data already had the FCS field, this would be corrupted by the substitution of the new checksum fields.

If these conditions are met, the transmit checksum offload engine calculates the IP, TCP, and UDP checksums as appropriate. When the full packet is completely written into packet buffer memory, the checksums are valid and the relevant DPRAM locations are updated for the new checksum fields as per standard IP/TCP and UDP packet structures.

If the transmitter checksum engine is prevented from generating the relevant checksums, bits [22:20] of the transmitter DMA writeback status are updated to identify the reason for the error. Note that the frame is still transmitted but without the checksum substitution, as typically the reason that the substitution did not occur was that the protocol was not recognized.

## 16.2.7 IEEE 1588 Time Stamp Unit

*IEEE 1588* is a standard for precision time synchronization in local area networks. It works with the exchange of special precision time protocol (PTP) frames. The PTP messages can be transported over *IEEE 802.3/Ethernet, over Internet Protocol Version 4* or over *Internet Protocol Version 6* as described in the *annex of IEEE P1588.D2.1*.

The controller detects when the PTP event messages `sync`, `delay_req`, `pdelay_req` and `pdelay_resp` are transmitted and received.

Synchronization between master and slave clocks is a two stage process.

- First, the offset between the master and slave clocks is corrected by the master sending a `sync` frame to the slave with a follow up frame containing the exact time the `sync` frame was sent. Hardware assist modules at the master and slave side detect exactly when the `sync` frame was sent by the master and received by the slave. The slave then corrects its clock to match the master clock.
- Second, the transmission delay between the master and slave is corrected. The slave sends a delay request frame to the master which sends a delay response frame in reply. Hardware assist modules at the master and slave side detect exactly when the delay request frame was sent by the slave and received by the master. The slave then has enough information to adjust its clock to account for delay. For example, if the slave was assuming zero delay the actual delay is half the difference between the transmit and receive time of the delay request frame (assuming equal transmit and receive times) because the slave clock is lagging the master clock by the delay time already.

For hardware assist it is necessary to timestamp when `sync` and `delay_req` messages are sent and received. The timestamp is taken when the message timestamp point passes the clock timestamp point. The message timestamp point is the SFD and the clock timestamp point is the MII interface. (The 1588 spec refers to `sync` and `delay_req` messages as event messages as these require timestamping. Follow up, delay response and management messages do not require timestamping and are referred to as general messages.)

1588 version 2 defines two additional PTP event messages. These are the peer delay request (`Pdelay_Req`) and peer delay response (`Pdelay_Resp`) messages. These messages are used to calculate the delay on a link. Nodes at both ends of a link send both types of frames (regardless of whether they contain a master or slave clock). The `Pdelay_Resp` message contains the time at which a `Pdelay_Req` was received and is itself an event message. The time at which a `Pdelay_Resp` message is received is returned in a `Pdelay_Resp_Follow_Up` message.

The controller recognizes four different encapsulations for PTP event messages:

- 1588 version 1 (UDP/IPv4 multicast)
- 1588 version 2 (UDP/IPv4 multicast)
- 1588 version 2 (UDP/IPv6 multicast)

- 1588 version 2 (Ethernet multicast)

**Note:** Only multicast packets are supported.

The TSU consists of a timer and registers to capture the time at which PTP event frames cross the message timestamp point. These are accessible through the APB interface. An interrupt is issued when a capture register is updated.

The MAC provides timestamp registers that capture the departure time (for transmit) or arrival time (for receive) of PTP event packets (sync and delay request) and peer event packets (peer delay request or peer delay response). Interrupts are optionally generated upon timestamp capture.

The MAC also provides an option to timestamp all received packets by replacing the packet's FCS word with the nanoseconds portion of the timestamp. This eliminates the need to respond to received timestamp interrupts and to associate the timestamps with the correct received packets.

The timestamp unit includes a 62-bit timer counter. The lower 30 bits count nanoseconds and the upper 32 bits count seconds. Every clock cycle the counter is incremented by a programmable number of nanoseconds, and a mechanism is provided to handle fractional values. For example, at 120 MHz, the clock period is 8.333 ns. Every 3 clock cycles the counter is incremented twice by 8 and once by 9, for an average increment of 8.333 ns. The counter is clocked by the CPU\_1x which is derived from the CPU clock.

There are six additional registers that capture the time at which PTP event frames are transmitted and received. An interrupt is issued when these registers are updated.

## IEEE 1588 Limitations

These topics can be addressed by software, but the added software workload limits the capabilities and accuracy of the IEEE1588 support. In many non-real-time operating systems, the interrupt response time is long, making it more difficult to achieve high accuracy.

### Time Counter Clock Input

The 62-bit time counter is clocked by the CPU\_1x clock and there is no option for a separate clock input. Thus the choice of clock frequency and precision is related to the CPU clock frequency.

### 62-bit Time Counter Accuracy

The counter accuracy is limited to 62 bits. The least significant bits are in nanosecond units, and there is no direct support for counting fractions of nanoseconds. A mechanism is provided to allow fractional increments by averaging between two integer values, but its accuracy is limited and it creates jitter of up to  $\pm 128$  ns.

### Counter Value to the PL

The 62-bit counter value is only accessible by reading a register. It is therefore not directly possible to schedule hardware events upon the counter reaching a specific value.

## One Pulse per Second Output

Because there is no hardware access to the counter value, it is not possible to provide a 1 pps signal that is commonly used for lab tests of the synchronization accuracy.

## Event Scheduling

The MAC does not provide event scheduling capability such as generating an interrupt upon the counter reaching a specific value.

## Synchronizing the Two Ethernet Controllers

The two Ethernet cores are completely independent, and there is no hardware mechanism provided for synchronizing the counter values of the two Ethernet cores, or for making the counter of one Ethernet core slave to the other.

## Single Packet Queue — No Tagging

All received packets are written into the same queue (or packet buffer) in memory. Similarly, all transmitted packets are read from the same queue. There is no support for multiple queues. A single queue makes it more difficult for the software to associate (tag) a packet with a timestamp.

## FIFO Depth

The timestamp registers are 1-deep, so new events overwrite old values. This requires the software to have a fast enough response time to avoid event overrun.

## Designing the Timestamp Unit in the PL

Improvement in performance and accuracy of time stamping can be achieved by implementing the timestamp unit in the PL instead of using the built-in timestamp unit in the MAC. Using this approach, the time counter and the timestamp registers are implemented in the PL, and the PTP frame recognition remains in the Ethernet core.

The outputs from the controller can be used to implement the timestamp unit in the PL. The EMIO signals for this are listed in [Table 16-12, page 514](#). The following items are not supported:

- Support of unicast PTP packets
- Support of transparent clocks
- Single packet queue – no tagging

## Designing a PTP Packet Tagging and Capture Module

Designing a separate timestamp unit as described above addresses most of the items, but it does not address the hardware mechanism for tagging the PTP packets, i.e., associating the packets with their corresponding timestamp. For example, if along with the timestamp some identifying packet attribute were captured, it would allow software to easily associate the timestamp with the correct PTP event. Examples of useful packet attributes are packet identification or serial number, or the memory address it was read from or written to. It is also possible to capture the entire packet along



with its timestamp (for both transmit and receive), and make it available to software, for example via FIFOs or via circular buffers in main memory. Such a function can be implemented in the PL along with the timestamp unit as described above.

However, implementation requires access to the packet data stream itself. In order to have access to the packet data stream, the controller needs to be pinned-out through the EMIO using GMII, instead of MIO. By selecting this option, the GMII signals are exposed to the PL and can be used to detect and capture the PTP packets. Note that it is still possible to use the PTP frame recognition in the MAC, or it is possible to design this function in the PL as well (e.g., if support for unicast packets is required).

## 16.2.8 MAC 802.3 Pause Frame Support

**Note:** See Clause 31, and Annex 31A and 31B of the *IEEE standard 802.3* for a full description of pause operation.

The start of an 802.3 pause frame is shown in [Table 16-4](#)

Table 16-4: Pause Frame Information

Destination Address	Source Address	Type (MAC Control Frame)	Pause Opcode	Pause Time
0x0180C2000001	6 bytes	0x8808	0x0001	2 bytes

The controller supports both hardware controlled pause of the transmitter upon reception of a pause frame and hardware generated pause frame transmission.

### 802.3 Pause Frame Reception

Bit [13] of the Network Configuration register is the pause enable control for reception. If this bit is set transmission pauses if a non zero pause quantum frame is received.

If a valid pause frame is received then the pause time register is updated with the new frame's pause time regardless of whether a previous pause frame is active or not. An interrupt (either bit [12] or bit [13] of the Interrupt Status register) is triggered when a pause frame is received, but only if the interrupt has been enabled (bit [12] and bit [13] of the Interrupt Mask register). Pause frames received with non zero quantum are indicated through the interrupt bit [12] of the Interrupt Status register. Pause frames received with zero quantum are indicated on bit [13] of the Interrupt Status register.

When the pause time register is loaded and the frame currently being transmitted has been sent, no new frames are transmitted until the pause time reaches zero. The loading of a new pause time, and hence the pausing of transmission, only occurs when the controller is configured for full duplex operation. If the controller is configured for half duplex there is no transmission pause, but the pause frame received interrupt is still triggered. A valid pause frame is defined as having a destination address that matches either the address stored in Specific Address register 1 or if it matches the reserved address of 0x0180C2000001. It must also have the MAC control frame type ID of 0x8808 and have the pause opcode of 0x0001.

Pause frames that have FCS or other errors are treated as invalid and are discarded. 802.3 Pause frames that are received after priority based flow control (PFC) has been negotiated are also discarded. Valid pause frames received increment the Pause Frames Received Statistic register.

The Pause Time register decrements every 512 bit times once transmission has stopped. For test purposes, the retry test bit can be set (bit [12] in the Network Configuration register) which causes the Pause Time register to decrement every tx\_clk cycle when transmission has stopped.

The interrupt (bit [13] in the Interrupt Status register) is asserted whenever the pause time register decrements to zero (assuming it has been enabled by bit [13] in the Interrupt Mask register). This interrupt is also set when a zero quantum pause frame is received.

### 802.3 Pause Frame Transmission

Automatic transmission of pause frames is supported through the transmit pause frame bits of the Network Control register and from the external input pins tx\_pause, tx\_pause\_zero and tx\_pfc\_sel. If either bit [11] or bit [12] of the Network Control register is written with logic 1, or if the input signal tx\_pause is toggled when tx\_pfc\_sel is Low, an 802.3 pause frame is transmitted providing full duplex is selected in the Network Configuration register and the transmit block is enabled in the Network Control register.

Pause frame transmission occurs immediately if transmit is inactive or if transmit is active between the current frame and the next frame due to be transmitted.

Transmitted pause frames comprise of the following:

- A destination address of 01-80-C2-00-00-01
- A source address taken from Specific Address register 1
- A type ID of 88-08 (MAC control frame)
- A pause opcode of 00-01
- A pause quantum register
- Fill of 00 to take the frame to minimum frame length
- Valid FCS

The pause quantum used in the generated frame depends on the trigger source for the frame as follows:

- If bit [11] is written with a one, the pause quantum is taken from the Transmit Pause Quantum register. The Transmit Pause Quantum register resets to a value of 0xFFFF giving maximum pause quantum as the default.
- If bit [12] is written with a one, the pause quantum is zero.
- If the tx\_pause input is toggled, tx\_pfc\_sel is Low and the tx\_pause\_zero input is held Low until the next toggle, the pause quantum is taken from the Transmit Pause Quantum register.
- If the tx\_pause input is toggled, tx\_pfc\_sel is Low and the tx\_pause\_zero input is held High until the next toggle, the pause quantum is zero.

After transmission, a pause frame transmitted interrupt is generated (bit [14] of the Interrupt Status register) and the only statistics register that is incremented is the Pause Frames Transmitted register.

Pause frames can also be transmitted by the MAC using normal frame transmission methods.

### MAC PFC Priority Based Pause Frame Support

**Note:** Refer to the 802.1Qbb standard for a full description of priority based pause operation.

The controller supports PFC priority based pause transmission and reception. Before PFC pause frames can be received, bit 16 of the Network Control register must be set. The start of a PFC pause frame is shown in Table 16-5.

Table 16-5: PFC Priority Based Pause Frame Info

Destination Address	Source Address	Type (MAC Control Frame)	Pause Opcode	Priority Enable Vector	Pause Times
0x0180C2000001	6 bytes	0x8808	0x0101	2 bytes	8 * 2 bytes

### PFC Pause Frame Reception

The ability to receive and decode priority based pause frames is enabled by setting bit [16] of the Network Control register. When this bit is set, the controller matches either classic 802.3 pause frames or PFC priority based pause frames. Once a priority based pause frame has been received and matched, then from that moment on the controller only matches on priority based pause frames (this is an 802.1Qbb requirement, known as PFC negotiation). Once priority based pause has been negotiated, any received 802.3x format pause frames are not acted upon. The state of PFC negotiation is identified via the output pfc\_negotiate.

If a valid priority based pause frame is received then the controller decodes the frame and determines which, if any, of the eight priorities require to be paused. Up to eight Pause Time registers are then updated with the eight pause times extracted from the frame, regardless of whether a previous pause operation is active or not. An interrupt (either bit [12] or bit [13] of the Interrupt Status register) is triggered when a pause frame is received, but only if the interrupt has been enabled (via bit[12] and bit[13] of the Interrupt Mask register).

Pause frames received with non zero quantum are indicated through the interrupt bit[12] of the Interrupt Status register. Pause frames received with zero quanta are indicated on bit[13] of the Interrupt Status register. The state of the eight pause time counters are indicated through the outputs rx\_pfc\_paused. These outputs remain High for the duration of the pause time quanta. The loading of a new pause time only occurs when the controller is configured for full duplex operation. If the controller is configured for half duplex, the pause time counters are not loaded, but the pause frame received interrupt is still triggered.

A valid pause frame is defined as having a destination address that matches either the address stored in Specific Address register 1 or if it matches the reserved address of 0x0180C2000001. It must also have the MAC control frame type ID of 0x8808 and have the pause opcode of 0x0101.

Pause frames that have FCS or other errors are treated as invalid and are discarded. Valid pause frames received increment the pPause Frames Received Statistic register.

The Pause Time registers decrement every 512 bit times immediately following the PFC frame reception. For test purposes, the retry test bit can be set (bit [12] in the Network Configuration

register) which causes the Pause Time register to decrement every rx\_clk cycle once transmission has stopped.

The interrupt (bit [13] in the Interrupt Status register) is asserted whenever the Pause Time register decrements to zero (assuming it has been enabled by bit [13] in the Interrupt Mask register). This interrupt is also set when a zero quantum pause frame is received.

### PFC Pause Frame Transmission

Automatic transmission of pause frames is supported through the transmit priority based pause frame bit of the Network Control register and from the external input pins tx\_pause, tx\_pfc\_pause[7:0], tx\_pfc\_pause\_zero[7:0], and tx\_pfc\_sel. If bit 17 of the Network Control register is written with logic 1, or if the input signal tx\_pause is toggled when tx\_pfc\_sel is High, a PFC pause frame is transmitted providing full duplex is selected in the Network Configuration register and the transmit block is enabled in the Network Control register. When bit 17 of the Network Control register is set, the fields of the priority based pause frame are built using the values stored in the Transmit PFC Pause register.

Pause frame transmission occurs immediately if transmit is inactive or if transmit is active between the current frame and the next frame due to be transmitted.

Transmitted pause frames comprise of the following:

- A destination address of 01-80-C2-00-00-01
- A source address taken from Specific Address register 1
- A type ID of 88-08 (MAC control frame)
- A pause opcode of 01-01
- A priority enable vector taken from tx\_pfc\_pause or the Transmit PFC Pause register
- Eight pause quantum registers
- Fill of 00 to take the frame to minimum frame length
- Valid FCS

The Pause Quantum registers used in the generated frame depend on the trigger source for the frame as follows:

- If bit [17] of the Network Control register is written with a one then the priority enable vector of the priority based pause frame is set equal to the value stored in the Transmit PFC Pause register [7:0]. For each entry equal to zero in the Transmit PFC Pause register[15:8], the pause quantum field of the pause frame associated with that entry is taken from the Transmit Pause Quantum register. For each entry equal to one in the Transmit PFC Pause register[15:8], the pause quantum associated with that entry is zero.
- The Transmit Pause Quantum register resets to a value of 0xFFFF giving maximum pause quantum as default.
- If the tx\_pause input is toggled and tx\_pfc\_sel is High then the priority enable vector of the priority based pause frame is set equal to the value in tx\_pfc\_pause [7:0]. For each entry equal to zero in tx\_pfc\_pause\_zero[7:0], the pause quantum field of the pause frame associated with that entry is taken from the Transmit Pause Quantum register. For each entry equal to one in tx\_pfc\_pause\_zero [7:0], the pause quantum associated with that entry is zero.

After transmission, a pause frame transmitted interrupt is generated (bit 14 of the Interrupt Status register) and the only statistics register that is incremented is the Pause Frames Transmitted register.

PFC Pause frames can also be transmitted by the MAC using normal frame transmission methods.

---

## 16.3 Programming Guide

The controller functionality is described in detail in section [16.2 Functional Description and Programming Model](#). All of the controller registers are listed in [Table 16-9](#) and [Table 16-10](#) and are described in detail in [Appendix B, Register Details](#).

### Example: Programming Steps

1. [16.3.1 Initialize the Controller](#)
2. [16.3.2 Configure the Controller](#)
3. [16.3.3 I/O Configuration](#)
4. [16.3.4 Configure the PHY](#)
5. [16.3.5 Configure the Buffer Descriptors](#)
6. [16.3.6 Configure Interrupts](#)
7. [16.3.7 Enable the Controller](#)
8. [16.3.8 Transmitting Frames](#)
9. [16.3.9 Receiving Frames](#)
10. [16.3.10 Debug Guide](#)

### 16.3.1 Initialize the Controller

1. **Clear the Network Control register.** Write 0x0 to gem.net\_ctrl register.
2. **Clear the Statistics registers.** Write a 1 to gem.net\_ctrl[clear\_stat\_regs].
3. **Clear the Status registers.** Write a 1 to the Status registers. gem.rx\_status = 0x0F and gem.tx\_status = 0xFF.
4. **Disable all interrupts.** Write 0x7FF\_FFFF to the gem.intr\_dis register.
5. **Clear the buffer queues.** Write 0x0 to the gem.rx\_qbar and gem.tx\_qbar registers.

## 16.3.2 Configure the Controller

The following example describes a typical programming sequence for configuration of the controller. Refer to [Appendix B, Register Details](#) for further details on the Controller registers.

1. **Program the Network Configuration register (gem.net\_cfg).** The network configuration register is used to set the mode of operation.

Examples:

- a. **Enable Full Duplex.** Write a 1 to the gem.net\_cfg[full\_duplex] register.
  - b. **Enable Gigabit mode.** Write a 1 to the gem.net\_cfg[gige\_en] register.
  - c. **Enable default speed for 100 Mbps.** Write a 1 to the gem.net\_cfg[speed] register.  
**Note:** The speed bit might have to be re-written after PHY auto-negotiation.
  - d. **Enable reception of broadcast or multicast frames.** Write a 0 to the gem.net\_cfg[no\_broadcast] register to enable broadcast frames and write a 1 to the gem.net\_cfg[multi\_hash\_en] register to enable multicast frames.
  - e. **Enable promiscuous mode.** Write a 1 to the gem.net\_cfg[copy\_all] register.
  - f. **Enable TCP/IP checksum offload feature on receive.** Write a 1 to the gem.net\_cfg[rx\_chksum\_offld\_en] register. (Refer to section [16.2.6 Checksum Offloading](#).)
  - g. **Enable Pause frames.** Write a 1 to gem.net\_cfg[pause\_en] register.
  - h. **Set the MDC clock divisor.** Write the appropriate MDC clock divisor to the gem.net\_cfg[mdc\_clk\_div] register. (Refer to section [16.3.4 Configure the PHY](#).)
2. **Set the MAC address.** Write to the gem.spec1\_addr1\_bot and gem.spec1\_addr1\_top registers. The least significant 32 bits of the MAC address go to gem.spec1\_addr1\_bot and the most significant 16 bits go to gem.spec1\_addr1\_top.
  3. **Program the DMA Configuration register (gem.dma\_cfg).**
    - a. **Set the receive buffer size to 1,600 bytes.** Write a value of 0x19 to the gem.dma\_cfg[ahb\_mem\_rx\_buf\_size] register.
    - b. **Set the receiver packet buffer memory size to the full configured addressable space of 8 KB.** Write 0x3 to the gem.dma\_cfg[rx\_pktbuf\_memsz\_sel] register.
    - c. **Set the transmitter packet buffer memory size to the full configured addressable space of 4 KB.** Write 0x1 to the gem.dma\_cfg[tx\_pktbuf\_memsz\_sel] register.
    - d. **Enable TCP/IP checksum generation offload on the transmitter.** Write 0x1 to the gem.dma\_cfg[csum\_gen\_offload\_en] register.
    - e. **Configure for Little Endian system.** Write 0x0 to the gem.dma\_cfg[ahb\_endian\_swp\_pkt\_en] register.
    - f. **Configure AHB fixed burst length.** Write 0x10 to the gem.dma\_cfg[ahb\_fixed\_burst\_len] register to use INCR16 AHB burst for higher performance.
  4. **Program the Network Control Register (gem.net\_ctrl).**
    - a. **Enable MDIO.** Write a 1 to the gem.net\_ctrl[mgmt\_port\_en] register.
    - b. **Enable the Transmitter.** Write a 1 to the gem.net\_ctrl[tx\_en] register.
    - c. **Enable the Receiver.** Write a 1 to the gem.net\_ctrl[rx\_en] register.

### 16.3.3 I/O Configuration

The block diagram in section [16.1.1 Block Diagram](#) describes the connection details of the Gigabit Ethernet Controller to the external network.

#### Gigabit Ethernet Controller using MIO

The controller provides an RGMII interface through the MIO. Pins 16-27 are used for Controller 0 and 28-39 for Controller 1. Refer to section [16.6 Signals and I/O Connections](#) for more information on the pin-out.

#### Example: Configuring Controllers for MIO

The controllers can be configured to operate in HSTL or CMOS IO standards. Refer to [Chapter 2, Signals, Interfaces, and Pins](#) for more information on MIO pin configuration. The following steps illustrate the configuration for Controller 0.

1. **Write to the `slcr.MIO_PIN{16:21}` registers for the transmit signals.** This programs the MIO I/O buffers (GPIOB) for the four transmit data signals, transmit clock and transmit control signals.

**Example:** A value of `0x0000_3902` disables the HSTL receiver, specifies HSTL I/O type, enables internal pull-up, disables 3-state control and routes the transmit data, clock, and control signals.

2. **Write to the `slcr.MIO_PIN{22:27}` registers for the receive signals.**

**Example:** A value of `0x0000_1903` enables HSTL receiver, specifies HSTL I/O type, enables internal pull-up, disables 3-state control and routes the receive data, clock, and control signals.

3. **Write to `slcr.MIO_PIN{52:53}` registers for the management signals.**

**Example:** A value of `0x0000_1280` enables the HSTL receiver, specifies HSTL I/O type, enables internal pull-up, and routes the MDIO clock/data.

4. **Write a value of `0x0000_0001` to the `slcr.GPIOB` register to enable the VREF internal generator.**

Similarly, replace `SLCR.MIO_PIN{16:27}` with `SLCR.MIO_PIN{28:39}` for Controller 1.

**Note:** The clock might have to be reprogrammed after auto-negotiation.

## Gigabit Ethernet Controller using EMIO

The EMIO interface allows for derivation of other physical MII interfaces using appropriate shim-logic in the PL. The Controller provides a GMII interface through the EMIO.

### Example: Configure Controllers for EMIO

1. **Unlock the SLCR module.** Write a value of `0xDF0D` to the `slcr.SLCR_UNLOCK` register.
2. **Enable the level shifters for PS user inputs to FPGA in FPGA tile 1.** Write a value of `0b11` to bit `slcr.LVL_SHFTR_EN[USER_INP_ICT_EN_1]`.
3. **Enable the level shifter for PS user inputs to FPGA in FPGA tile 0.** Write `0b11` to bit `slcr.LVL_SHFTR_EN[USER_INP_ICT_EN_0]`.
4. **Write a value of 0 to the `slcr.FPGA_RST_CTRL` register.**
5. **Perform a software reset.** Write `0b1` to bits `slcr.FPGA_RST_CTRL[FPGA{0-3}_OUT_RST]`.
6. **Write a value of 0 to the `slcr.FPGA_RST_CTRL` register.**
7. **Lock the SLCR module.** Write a value of `0x767B` to the `slcr.SLCR_LOCK` register.

## Configure Clocks

The Gigabit Ethernet Controller clocks are controlled through four registers in the SLCR module.

### Example: Configuring Clocks for MIO

1. **Unlock the SLCR module.** Write a value of `0xDF0D` to `slcr.SLCR_UNLOCK` register.
2. **Configure the clock by writing to the `slcr.GEM0_CLK_CTRL` register.**

**Example:** A value of `0x0050_0801` enables the Controller0 reference clock, first divisor for the source clock is 8 and second divisor is 5. This gives a default speed of 100 Mb/s if the Ethernet source clock is IO PLL which has a frequency of 1,000 MHz.

3. **Enable Controller 0 receive clock control.** Write a value of `0x0000_0001` to the `slcr.GEM0_RCLK_CTRL` register.
4. **Lock the SLCR module.** Write a value of `0x767B` to `slcr.SLCR_LOCK` register.

Similar steps must be followed for Controller 1 by writing to the appropriate registers.

## 16.3.4 Configure the PHY

The PHY connected to the controller is initialized through the available management interface (MDIO) using the PHY maintenance register (`gem.phy_maint`). Writing to this register starts a shift operation which is signaled as complete when the bit `gem.net_status[phy_mgmt_idle]` is set.

The MDIO interface clock (MDC) for GigE is generated by dividing down the CPU\_1x clock.

**Note:** MDC is active only during MDIO read or write operations during which the PHY registers are read or written.



The MDC must not exceed 2.5 MHz as defined by the IEEE802.3 standard. The `gem.net_cfg[mdc_clk_div]` bits are used to set the divisor for the CPU\_1x clock.

**Example:** Consider a case with the CPU clock set to 666.667 MHz clock and the available CPU\_1x clock is 111.11 MHz. The clock divisor, in this case should be set to 48 (0b011) in `gem.net_cfg[mdc_clk_div]` to set the maximum possible frequency of 2.314 MHz for the MDC.

PHY configuration and initialization is unique for every system. Refer to the vendor data sheet for more information and PHY register details.

### Example: PHY Read/Write Operation

1. **Check to see that no MDIO operation is in progress.** Read until `gem.net_status[phy_mgmt_idle] = 1`.
2. **Write data to the PHY maintenance register(`gem.phy_maint`).** This initiates the shift operation over MDIO. Refer to [Appendix B, Register Details](#) section [B.18 Gigabit Ethernet Controller \(GEM\)](#) for register information.
3. **Wait for completion of operation.** Read until `gem.net_statusp[phy_mgmt_idle] = 1`.
4. **Read data bits for a read operation.** The PHY register data is available in `gem.phy_maint[data]`.

### Example: PHY Initialization

1. **Detect the PHY address.** Read the PHY identifier fields in PHY registers 2 and 3 for all the PHY addresses ranging from 1 to 32. The register contents will be valid for a valid PHY address.
2. **Advertise the relevant speed/duplex settings.** These bits can be set to suit the system. Refer to the PHY vendor data sheet for more information.
3. **Configure the PHY as applicable.** This could include options to set PHY mode, timing options in the PHY or others as applicable to the system. Refer to the PHY vendor datasheet for more information.
4. **Wait for completion of Auto-negotiation.** Read the PHY status register. Refer to the PHY vendor data sheet for more information.
5. **Update Controller with auto-negotiated speed and duplex settings.** Read the relevant PHY registers to determine the negotiated speed and duplex. Set the speed in `gem.net_cfg[gige_en]` and `gem.net_cfg[speed]` bits and the duplex in `gem.net_cfg[full_duplex]`.

**Note:** The SLCR register must be updated for clock updates (refer to [Configure Clocks, page 496](#)).

## 16.3.5 Configure the Buffer Descriptors

### Receive Buffer Descriptor List

The data received by the controller is written to pre-allocated buffer descriptors in system memory. These buffer descriptor entries are listed in the receive buffer queue. Refer to section [16.2.5 DMA Block](#) and [Table 16-2, page 475](#) for more information on implementation and structure of the Rx Buffer Descriptor.

The Receive-buffer Queue Pointer register (`gem.rx_qbar`) points to this data structure as shown in [Figure 16-4](#).

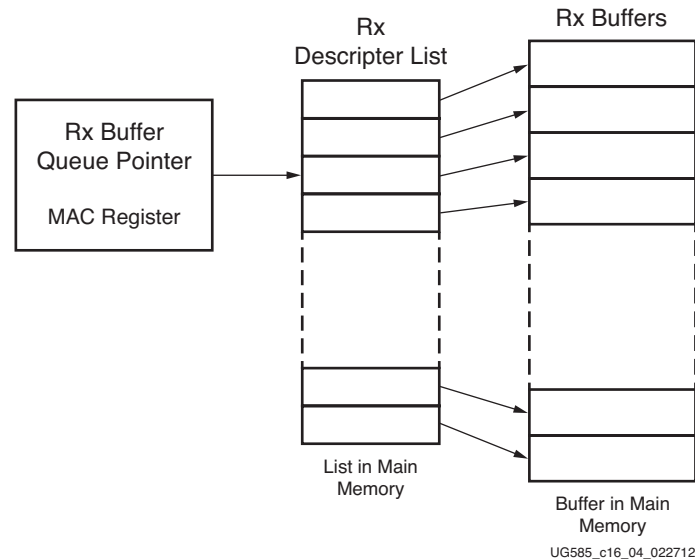


Figure 16-4: Rx Buffer Queue Structure

To create this list of buffers:

1. Allocate a number (N) of buffers of X bytes in system memory, where X is the DMA buffer length programmed in the DMA Configuration register.

**Example:** This controller assumes that the maximum size of an Ethernet packet without jumbo frame support can reach up to 1,536 bytes. So allocate N number of buffers each with a size of 1,536 bytes in system memory. The buffers typically need to be aligned to cache-line boundaries to improve performance. Typical values of N can be 64 or 128.

2. Each buffer descriptor is of 8 bytes length. Hence allocate an area of 8N bytes for the receive buffer descriptor list in system memory. This creates N entries in this list.

**Note:** A single cache line for the Zynq-7000 AP SoC is 32 bytes and can contain 4 buffer descriptors. This means flushing or invalidating a single buffer descriptor entry in the cache memory results in flushing or invalidation of a cache line which in turn affects the adjacent buffer descriptors. This can result in undesirable behavior. It is typical to allocate the buffer descriptor list in an un-cached memory region.

3. Mark all entries in this list as owned by controller. Set bit 0 of word 0 of each buffer descriptor to 0.
4. Mark the last descriptor in the buffer descriptor list with the wrap bit (bit 1 in word 0) set.
5. Write the base address of receive buffer descriptor list to controller register `gem.rx_qbar`.
6. Fill the addresses of the allocated buffers in the buffer descriptors (bits 31-2, Word 0).
7. Write the base address of this buffer descriptor list to the `gem.rx_qbar` register.

## Transmit Buffer Descriptor List

The data to be transmitted is read from buffers present in system memory. These buffers are listed in the transmit buffer queue. Refer to section [16.2.5 DMA Block](#) and [Table 16-2, page 475](#) for more information on implementation and structure of the Tx buffer descriptor.

The Transmit Buffer Queue Pointer register (gem.tx\_qbar) register points to this data structure.

To create this list of buffer descriptors with N entries:

1. Each buffer descriptor is 8 bytes in length. Hence allocate an area of 8N bytes for the transmit buffer descriptor list in system memory which creates N entries in this list. It is advisable to use un-cached memory for allocating the complete buffer descriptor list for the reasons already described for the [Receive Buffer Descriptor List](#).
2. Mark all entries in this list as owned by the controller. Set bit[31] of word 1 to 0.
3. Mark the last descriptor in the list with the wrap bit. Set bit[30] in word 1 to 1.
4. Write the base address of transmit buffer descriptor list to Controller register gem.tx\_qbar.

### 16.3.6 Configure Interrupts

There are 26 interrupt conditions that are detected within the controller which are OR-ed to generate a single interrupt. Additionally there is a Wake-on-LAN interrupt driven from the Ethernet controller. These two interrupts are then passed to the GIC pl390 interrupt controller.

Refer to the description of register, gem.intr\_status in [Appendix B, Register Details](#) for more information on the list of interrupt conditions identified by the controller.

An appropriate handler for the interrupt should be registered with the CPU for processing an interrupt condition. The CPU suspends its normal activity, moves to interrupt processing mode and executes the corresponding handler for an interrupt condition.

#### Example: Configuring Interrupts

1. **Register a handler.** There are two interrupts generated by the controller - Wake-on-LAN and another interrupt for all other functions. Register the handler for each of these interrupt types with the CPU.  
**Note:** In a typical case, a single handler is used for both transmission and reception of packets. Once the control reaches the handler, the software should read the gem.intr\_status register to determine the source and perform the relevant function.
2. **Enable the necessary interrupt conditions.** The relevant bits in the gem.intr\_en register must be set. The interrupt conditions necessary are determined by the system architecture.

**Note:** Read the read-only register gem.intr\_mask for current the mask state of each interrupt.

### 16.3.7 Enable the Controller

The receiver and transmitter must be enabled after configuration:

1. **Enable the Transmitter.** Write a 1 to gem.net\_ctrl[tx\_en].
2. **Enable the Receiver.** Write a 1 to gem.net\_ctrl[rx\_en].

## 16.3.8 Transmitting Frames

### Example: Transmitting a Frame

1. **Allocate buffers in system memory to contain the Ethernet frame.** GigE supports scatter-gather functionality; hence an Ethernet frame can be split into multiple buffers with each buffer processed by a buffer descriptor.
2. **Write the Ethernet frame data in the allocated buffers.** These Ethernet frames should have their header fields such as destination MAC address, source MAC address and type/length field set appropriately.

#### Notes:

- The FCS field is added by the MAC in most cases. However if there is a need to append a custom FCS, bit 16 in word 1 of the corresponding buffer descriptor must be set.
  - The buffer that contains the Ethernet frame data should be flushed from cache if cached memory is being used.
3. **Allocate buffer descriptor(s) for the Ethernet frame buffers.** This involves setting bits 0-31 in the buffer descriptor word 0 with the address of the buffer and setting bits 0-13 in word 1 with the length of the buffer to be transmitted.

#### Notes:

- For single buffer Ethernet frames, bit 15 (Last buffer bit) of the word 1 must also be set.
- For Ethernet frames scattered across multiple buffers the buffer descriptors must be allocated serially and the buffer descriptor containing the last buffer should have the bit 15 of word 1 set.

**Example:** For an Ethernet frame of 1,000 bytes split across two buffers with the first buffer containing the Ethernet header (14 bytes) and the next buffer containing the remaining 986 bytes, the buffer descriptor with index N should be allocated for the first buffer and the buffer descriptor with index N+1 should be allocated for the second buffer. Bit 15 of word 1 of the N+1 buffer descriptor must also be set to mark it as the last buffer in the scattered list of Ethernet frames.

4. **Clear the used bit (bit 31) in the word 1 of the allocated buffer descriptors.**
5. **Enable transmission.** Write a 1 to `gem.net_ctrl[start_tx]`.
6. **Wait until the transmission is complete.** An interrupt is generated by the controller upon successful completion of the transmission. Read and clear the `gem.intr_status[tx_complete]` bit by writing a 1 to the bit in the interrupt handler. Also read and clear the `gem.tx_status` register by writing a 1 to `gem.tx_status[tx_complete]` bit. Clear all bits in the BD except the used and wrap bits.

## 16.3.9 Receiving Frames

When a frame is received with the receive circuits enabled, the controller checks the address and the frame is written to system memory in the following cases:

- The destination address matches one of the four specific address registers. This is applicable for cases where the MAC address for the controller is set in the `gem.spec_addr{1:4}_bot` and `gem.spec_addr{1:4}_top` registers.

- The received frame's type/length field matches one of the four type ID registers. The available type id registers are `gem.type_id_match{1:4}`. This is applicable for cases where Ethernet type/length field based filtering is required.
- Unicast or Multicast hash is enabled through `gem.net_cfg[uni_hash_en]` or `gem.net_cfg[multi_hash_en]` register bits, then the received frame is accepted only if the hash is matched.
- The destination address is a broadcast address (`0xFFFFFFFFFFFF`) and broadcasts are allowed. This option is set using the `gem.net_cfg[no_broadcast]` register bit.
- The controller is configured for promiscuous mode with the `gem.net_cfg[copy_all]` register bit set.
- A match is found in the external address filtering interface.

The register `gem.rx_qbar` points to the next entry in the receive buffer descriptor list and the controller uses this as the address in system memory to write the frame. When the frame has been completely received and written to system memory, the controller then updates the receive buffer descriptor entry with the reason for the address match, marks the area as being owned by software, and sets the receive complete interrupt (`gem.intr_status[rx_complete] = 1`). Software is then responsible for copying the data to the application area and releasing the buffer.

If the controller is unable to write the data at a rate to match the incoming frame, then the receiver overrun interrupt is set (`gem.intr_status[rx_overrun] = 1`). If there is no receive buffer available, i.e., the next buffer is still owned by software, a receive-buffer not available interrupt is set. If the frame is not successfully received, a Statistic register is incremented and the frame is discarded without informing software.

### Example: Handling a Received Frame

1. **Wait for the controller to receive a frame.** The receive complete interrupt, `gem.intr_status[rx_complete]`, is generated when a frame is received.
2. **Service the interrupt.** Read and clear the `gem.intr_status[rx_complete]` register bit writing a 1 to the bit in the interrupt handler. Also read and clear the `gem.rx_status` register by writing a 1 to `gem.rx_status[frame_recvd]` bit.
3. **Process the data in the buffer.** Scan the buffer descriptor list for the buffer descriptors with the ownership bit (bit 0, Word 0) set. When the DMA receive buffer size programmed to 1,600 bytes (`gem.dma_cfg[ahb_mem_rx_buf_size] = 0x19`), the packets on the receive side are not scattered and always go into a single buffer. For a buffer descriptor with the ownership bit set, process the buffer allocated in the corresponding buffer descriptor and set the ownership bit to 0. Read other bit fields in the relevant buffer descriptor word 1, take necessary action, and clear them.

## 16.3.10 Debug Guide

The GigE can encounter different kinds of errors while receiving or transmitting Ethernet frames. Refer to [Appendix B, Register Details](#) for more information on the transmit and receive error conditions listed in the description for `gem.tx_status` and `gem.rx_status` registers, respectively.

Some common errors and the action necessary is described in [Table 16-6](#) and [Table 16-7](#).

Table 16-6: RX Status Errors

Error Condition	Necessary Action
Hresp not OK	This is a condition from which the controller cannot recover easily. Re-initialize the controller and buffer descriptors for receive and transmit paths after clearing the relevant register status bits: gem.rx_status[hresp_not_ok] and gem.intr_status[hresp_not_ok].
Receive overrun	This condition implies that the packet is dropped because the packet buffer is full and occurs occasionally when the controller is unable to process the packets when they arrive very fast. In most conditions, no action for error recovery needs to be taken. Ensure that the packet buffer is configured for 8 KB (see section 16.3.2 <a href="#">Configure the Controller</a> ) and clear bits gem.rx_status[rx_overrun] and gem.intr_status[rx_overrun].
Buffer not available	This condition implies that the controller could not get a buffer descriptor with the ownership bit set to 0. It can also mean that the software is unable to keep pace with the incoming packet rate. Clear bits gem.rx_status[buffer_not_avail] and gem.intr_status[rx_used_read] in the interrupt handler. Attempt increasing the number of buffer descriptors on the receive path to allocate more number of buffers. The software processing can be optimized further to accelerate processing of received frames.

Table 16-7: TX Status Errors

Error Condition	Necessary Action
Hresp not OK	This is a condition from which the controller cannot recover easily. Re-initialize the controller and buffer descriptors for receive and transmit paths after clearing the relevant register status bits: gem.tx_status[hresp_not_ok] and gem.intr_status[hresp_not_ok].
Transmit underrun	This implies a severe error condition on the transmit side in processing of the transmit buffers and buffer descriptors. For effective error recovery, the software must disable the transmitter by writing a 0 to the gem.net_ctrl[tx_en] bit, then re-initialize the buffer descriptors on the transmit side and enable the transmitter by writing a 1 to the gem.net_ctrl[tx_en] bit. The bit gem.tx_status[tx_under_run] must be cleared in the interrupt handler.
Transmit buffer exhausted	This is a severe error condition on the transmit side. For effective error recovery, the software must disable the transmitter by writing a 0 to the gem.net_ctrl[tx_en] bit, then re-initialize the transmit buffer descriptors and transmitter. The register bits gem.tx_status[tx_corr_ahb_err] and gem.intr_status[tx_corrupt_ahb_error] must be cleared in the interrupt handler.
Retry limit exceeded	This implies there are a series of collisions for which an Ethernet frame could not be sent out even with a number of retries in half-duplex communication. This Ethernet frames are dropped at the transmitter. The bits gem.tx_status[retry_limit_exceeded] and gem.intr_status[retry_ex_late_collision] must be cleared in the interrupt handler. No drastic measures need to be taken for this error. However it could also mean that there is a duplex setting mismatch.
Collisions	This error indicates that there are collisions for half duplex communication. Some collisions are expected in half duplex mode and can be ignored. When a collision occurs, the frame is retransmitted after a while and the frame is not dropped. The register bit gem.tx_status[collision] must be cleared in the interrupt handler.

## 16.4 IEEE 1588 Time Stamping

### 16.4.1 Overview

Refer to the IEEE 1588 standard specification for more information on the protocol and section [16.2.7 IEEE 1588 Time Stamp Unit](#) for more information on the implementation of the Timestamp Unit. The following section briefly reviews the essential terms prior to discussion of the programming model.

The PTP system deals with the following different entities:

- **A grandmaster clock.** This is typically the IEEE1588 master clock which is the ultimate source of time on the network.
- **A boundary clock.** It is a multi-port switch containing one port that is a PTP slave to a master clock, while the other ports are masters to downstream slave clocks.
- **A transparent clock.** This is a PTP enhanced switch which modifies the precise time stamps within relevant PTP packets to account for transmit and receive delays within the individual switch itself.
- **An ordinary clock.** This is the typical PTP client.

For more information on different types of PTP clocks refer to the IEEE1588-2008 standard specification.

Synchronization and management of a PTP system is achieved through the exchange of messages across the network. PTP uses the following message types:

- Sync, Delay\_Req, Follow\_up, and Delay\_Resp messages are used by ordinary and boundary clocks. They are used to communicate timing information for clock synchronization.
- Pdelay\_Req, Pdelay\_Resp, and Pdelay\_Resp\_Follow\_Up are used to measure path delays across the communication medium so that they can be compensated for by the system. These are extensively used by transparent clocks and are available only in PTPv2.
- Announce messages are used by best master clock algorithm (BMCA) to build a clock hierarchy and select the grandmaster clock.
- Management messages are used for network monitoring and management.
- Signaling frames are used for non-time critical communication across clocks.

Refer to IEEE1588-2008 Clause 13 for more information on message types and formats.

#### PTP Message Format

All PTP messages contain a header, body and suffix. The PTP message header is 34 bytes long. Please refer to IEEE1588-2008 Clause 13 for more information on message formats. The important fields in the message header are described briefly as follows:

- Each clock port is identified by *Source Port Identity* (sourcePortIdentity) which is a 10 byte address. The sourcePortIdentity is common for all PTP messages.

- Each PTP message is identified with a *message Type* which is a 4 bit field in the PTP message header. Message Types are identified in [Table 16-8](#)

Table 16-8: Message Types

PTP Frames	Message Type
Sync	0x0
Delay_Req	0x1
PDelay_Req	0x2
PDelay_Resp	0x3
Follow_up	0x8
Delay_Resp	0x9
PDelay_Resp_Follow_Up	0xA
Announce	0xB
Management	0xC
Signaling	0xD

- The *versionPTP* field signifies which PTP version is being used – PTPv1 or PTPv2.
- The *messageLength* field signifies the total length of the PTP message. It is different for different PTP messages.
- The *flag* field is used for various purposes and can carry different values for different types of frames. An example of use for this field as a *twoStepFlag* in Sync and PDelay\_Req frames is to distinguish one-step and two-step time stamping. If the sending master clock can perform one-step time stamping, the *twoStepFlag* carries a value of 0.

**Note:** The Zynq-7000 AP SoC supports two-step timestamping – the *twoStepFlag* should always be 1.

- The *correctionField* is generally significant for transparent clocks. The transparent clocks update the *correctionField* to specify the slave regarding the exact time the PTP frames took to traverse through the transparent clocks. If transparent clocks are not present in the path of a PTP message, the *correctionField* can have a zero value.
- The *sequenceId* field is extensively used in the PTP messages. The originator of certain PTP frames *message Types* assigns a sequence ID to the corresponding message through the *sequenceId* field.
- The *controlField* is provided to maintain backward compatibility with PTPv1 based hardware designs. It contains different values for different types of PTP frames.
- The *logMessageInterval* field is provided to represent the mean time interval between successive PTP messages.

The steps to develop a simple and typical non-OS standalone example which can be used to synchronize PTP clocks between two Zynq-7000 AP SoC systems are described in the following sections. This information should be used for reference purpose only and is not meant to provide the best possible implementation for accuracy. Please refer to the IEEE1588 standard specification for more information.

The IEEE1588 implementation involves the following.

1. Controller initialization



2. Best master clock algorithm (BMCA)
3. PTP packet handling at the master port
4. PTP packet handling at the slave port

**Notes:**

1. The following sections do not describe the handling of management and signaling frames because they are not integral to the implementation of the core PTP functionality.
2. The illustrations in these sections do not describe an implementation-specific mechanism to change clock attributes dynamically.
3. The PTP packets processed here are simple Ethernet multicast packets. The scope of the following sections do not include UDP based multicast packets. The explanation refers to non-OS based standalone implementation which does not implement a TCP/IP stack.

## 16.4.2 Controller Initialization

The controller must be initialized with the interrupts, timer and PTP.

1. **Initialize the controller with interrupts and timers.** Refer to section [16.3 Programming Guide](#).
2. **Enable the PTP interrupts.** Refer to section [16.3.6 Configure Interrupts](#)
3. **Setup a timer with interrupts and appropriate interrupt handlers to enable periodic transmission of packets.** TTC timers or CPU private timers can be used for this purpose. For a typical case, interrupts can be generated every 500 ms.
4. **Setup the UART to monitor debug messages from the application.** Refer to [Chapter 19, UART Controller](#) to program the UART.

The following steps are specifically for the PTP functionality:

1. **Initialize the seconds and nanoseconds timers.** Write appropriate values to the `gem.timer_s` and `gem.timer_ns` registers, respectively.
2. **Program the timer increment value in the `gem.timer_incr` register.**

**Example:** For a CPU clock that runs at 666.67 MHz and PTP clocked with CPU\_1x clock of 111.11 MHz, 1 PTP clock cycle corresponds to 9 ns. The `gem.timer_incr[ns_delta]` register bit in this case should be set to 9.

As another example, consider a CPU\_1x clock of 120 MHz, 1 PTP clock cycle corresponds to 8.33 ns. In this case, the counter should increment by 8 ns for 2 clock cycles and 9 ns for 1 clock cycle to average 8.33 ns in 3 clock cycles. For such a setting, register bit `gem.timer_incr[ns_delta]` is set to 8, `gem.timer_incr[alt_ct_ns_delta]` is set to 9, and `gem.timer_incr[incr_b4_alt]` is set to 2.

3. **Initialize the common fields of data structures used for various PTP packets.** All PTP packets have a common message header.

### Timer Interrupt Handler

A timer is initialized to generate interrupts at pre-defined intervals. The operation of the interrupt handler at the master and slave clock ports are briefly illustrated.

### Example: Master Clock Port

1. Initiate a transmission of *Sync* and *Announce* frames at pre-defined intervals.
2. Initiate a transmission of *PDelay\_Req* frames at regular intervals.

### Example: Slave Clock Port

1. Initiate a transmission of *PDelay\_Req* frames at regular intervals.
2. Wait for *Sync* frame for a predefined interval of time. If a *Sync* timeout occurs, change to become a PTP master.
3. Wait for an *Announce* frame for a pre-defined interval of time. If an *Announce* timeout occurs, change to become a PTP master.

If a *PDelay\_Req* frame is not received for a predefined period of time, or no *Pdelay\_resp* and *PDelay\_resp\_Follow\_Up* were received for a *PDelay\_Req* packet, then there is a grave error. As part of error handling, the whole PTP state machine can be stopped (for both PTP master and slave) and no clock synchronization done (if it is a slave port).

The intervals as mandated by the protocol range from  $2^{-128}$  to  $2^{127}$  seconds. The interval is decided by the system specification. Since the same timer is used for *Sync*, *Announce* and *PDelay\_Req* frames, the timer expiry duration is decided by the minimum time interval for all these frames.

In a typical use case, the *Sync* frames can be sent out every 125 milliseconds, *Announce* frames and *PDelay\_Req* frames every 1 second. Similarly, typical *Announce* frame timeouts can be 2-3 seconds and *PDelay\_Req*, *PDelay\_Resp*, *PDelay\_Resp\_Follow\_up* timeouts can be 3-5 seconds.

## 16.4.3 Best Master Clock Algorithm (BMCA)

The BMCA performs a distributed selection of the best candidate clock (which becomes the grandmaster clock) based on different clock properties for the available clocks in the network:

- Priority1
- Clock class
- Clock accuracy
- Clock variance (offset scaled log variance)
- Priority2
- Clock identity (to break the tie)

Refer to the IEEE 1588 Standard Specification for more information on clock attributes and BMCA.

In a typical implementation, each clock port can be identified with a structure which has fields for the above clock properties. Other than these properties, the BMCA clock port can also be identified with the *steps removed* field. For more information regarding this field refer to the IEEE1588 specifications. When a slave receives *Announce* frames from multiple master hosts, the *steps removed* field can become significant in deciding the master clock.

The implementation should maintain an identical structure to identify the current grandmaster clock properties. The BMCA is invoked when an *Announce* frame is received by the slave.

**Example: BMCA**

1. Compare the fields of the Announce frame received with that of the current grandmaster starting with Priority1, progressing to the next field in the event of a tie.
2. The one with a higher priority becomes the new grandmaster.

**16.4.4 PTP Packet Handling at the Master**

Refer to IEEE 1588 Standard Specification for more information on packet formats and protocol.

1. **Form and send Sync frames at regular intervals.** For two-step clocks (as in the Zynq-7000 AP SoC) the *originTimestamp* field should be zero. The *sequenceId* should be 1 greater than the *sequenceId* of the last Sync frame transmitted from the same master port. Refer to section 16.4.1 [Overview](#) for some examples on setting header fields.
2. **Read and store exact time stamp for the transmitted Sync frame.** The Controller generates an interrupt on successful transmission of a Sync frame. The registers `gem.ptp_tx_s` and `gem.ptp_tx_ns` are read and stored to represent the exact time stamp for the transmitted Sync frame in the interrupt handler.
3. **Form and send the *Follow\_Up* frame immediately after the successful transmission of the Sync frame.** The *sequenceId* should be the same as that of the just transmitted Sync frame. The 10 byte *preciseOriginTimestamp* field should be created using the stored seconds and nanoseconds timestamp for the Sync frame. The *Follow\_Up* frame is transmitted and since it is not an event message, it is not time stamped by the hardware.

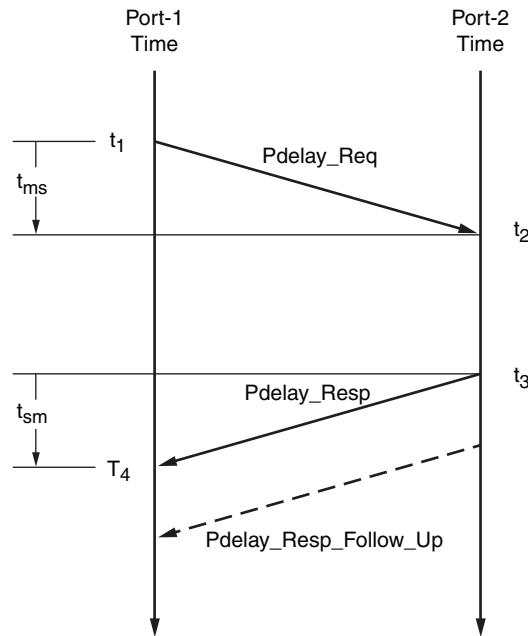
**Note:** The clock time stamp point for the AP SoC's GigE is the MII interface. Since the Sync frame travels through the external PHY after this time stamp point, the hardware observed time stamp does not take care of the delay introduced by the external PHY. Users should determine the typical external PHY latencies for their systems and add the same to the *preciseOriginTimestamp* field.

4. **Form and send *Announce* frames at regular intervals.** The *Announce* frame should be set with the clock attributes for the PTP master clock. The *Announce* frame is transmitted and since it is not an event message, it is not time stamped by the hardware.
5. **Send *PDelay\_Req* frames at regular intervals.** The master, acting as a peer for the *PDelay* measurement state machine must send *PDelay\_Req* frames at regular intervals. The *sequenceId* field is assigned with a value of 1 greater than the last sent *PDelay\_Req* frame. The field *originTimestamp* can typically be filled up with a zero value along with the reserved field.
6. **Read and store the exact time stamp for the transmitted *PDelay\_Req* frame.** The controller generates an interrupt on successful transmission of the *PDelay\_Req* frame. The registers `gem.ptp_peer_tx_s` and `gem.ptp_peer_tx_ns` are read and stored to represent the time stamp of the transmitted *PDelay\_Req* frame in the interrupt handler. Let this time stamp be *t1*.
 

**Note:** Since the clock time stamp point is the MII interface and the *PDelay\_Req* frame travels through the external PHY after this point, the exact time stamp should be created by adding the introduced delays by the external PHY.
7. **Store the time stamp for the received *PDelay\_Resp* frame.** The Master receives a *PDelay\_Resp* frame from the peer clock. The controller generates a *PDelay\_Resp* received interrupt. The master reads the registers `gem.ptp_peer_rx_s` and `gem.ptp_peer_rx_ns` registers and stores them as the received timestamp for the *PDelay\_Resp* frame. Let this timestamp be *t4*.

**Note:** Since the PTP message first travels through the external PHY before being time stamped at the MII interface by the hardware, for calculating the exact time stamp for the received packet, the delay introduced by the external PHY must be subtracted from the hardware reported time stamp to reach at the exact time stamp.

8. **Read the time stamp for the *PDelay\_Req* frame received at the slave (peer).** The master validates the received *PDelay\_Resp* for correct *sequenceId* which should be the same as that for the *PDelay\_Req* frame sent by the master. Similarly the master validates the PTP message body field *requestingPortIdentity* for the correct value which should be same as the *sourcePortIdentity* of the master. The master reads the PTP message body field *requestReceiptTimestamp* and stores it. This is the timestamp when the slave (peer) received the *PDelay\_Req* packet. Let this time stamp be  $t_2$ .
9. **Process the received *PDelay\_Resp\_Follow\_Up* frame.** The Master receives a *PDelay\_Resp\_Follow\_Up* frame from the slave (peer) clock port. This is a general PTP message and hence no PTP event interrupt is generated. The master validates for *sequenceId* and *requestingPortIdentity* fields as described above. The master reads the PTP message body field *responseOriginTimestamp* to get the exact timestamp when the last received *PDelay\_Resp* message was transmitted from the slave (peer). Let the time stamp be  $t_3$ .
10. **Calculate the peer delay.** The master calculates the peer delay as  $(t_4 - t_1) - (t_3 - t_2)$ . The calculated peer delay is not used by the master; however every node on a PTP network should maintain peer delays with other PTP peers on the network.



UG585\_c16\_08\_100512

Figure 16-5: Link Delay Measurement

## 16.4.5 PTP Packet Handling at the Slave

Refer to IEEE 1588 Standard Specification for more information on packet formats and protocol.

1. **Calculate the peer delay as described in steps 5-9 in section 16.4.4 PTP Packet Handling at the Master.**

**Note:** When the slave sends timestamps, the delays introduced by the external PHY at the slave clock port should be taken care of.

2. **Read and store timestamp for the received Sync frame.** The controller generates an interrupt for PTP *Sync* frame received. The slave reads the `gem.ptp_rx_s` and `gem.ptp_rx_ns` registers and stores them. Let this time stamp be  $t_5$ .
3. **Process the Follow\_Up frame received.** The controller does not generate a PTP event interrupt for a received *Follow\_Up* frame. The Slave does a validation for the *sequenceId* field which should match with that for the previously received *Sync* frame. The slave extracts the *preciseOriginTimestamp* field from the *Follow\_up* frame and stores it. This is the time at which the *Sync* frame left the master. The slave then adds the peer delay calculated in step (1) with this time to take care of the path delay of the PTP frame from master to slave. Let this time be  $t_6$ .
4. **Calculate the final clock offset.** This is the difference between  $t_6$  and  $t_5$  and is typically represented in nanoseconds.
5. **Adjust the PTP clock.** The slave adjusts the PTP clock by writing to the `gem.ptp_adjust` register. If  $t_6$  is greater than  $t_5$ , the `gem.ptp_adjust[add_subn]` is written as 0, otherwise it is written as 1. The actual nanosecond difference is written in the `gem.ptp_adjust[ns_delta]` register bits.
6. **Become the master in the event of a Sync or Announce timeout.**

---

## 16.5 Register Overview

### 16.5.1 Control Registers

Control registers drive the management data input/output (MDIO) interface, set-up DMA activity, start frame transmission, and select the different modes of operation such as full duplex, half duplex and 10/100/1000 Mb/s operation. (See [Table 16-9](#).)

Table 16-9: Ethernet Control Register Overview

Function	Register Name	Description
MAC Configuration	net_{cfg,ctrl,status} tx_pauseq rx_pauseq tx_pfc_pause ipg_stretch stacked_vlan	Network control, configuration and status. Rx, Tx Pause clocks. IPG stretch.
DMA Unit	tx_status rx_status tx_qbar tx_qbar_q{1:7} rx_qbar rx_qbar_q{1:7} dma_cfg	Control. Receive, Transmit Status. Receive, Transmit Queue Base Address Control.
Interrupts	intr_{status,en,dis, mask}	Interrupt status, enable/disable, and mask
	intr_dis_pq{1:7} intr_en_pq{1:7} intr_mask_pq{1:7}	
	wake_on_lan	
	isr_pq{1:7}	
PHY Maintenance	phy_maint	PHY maintenance
MAC Address Filtering and ID Match	hash_{top,bot} spec_addr{1:4}_{bot,top} spec_addr1_mask_{bot,top} type_id_match{1:4}	Hash address, Specific {4:1} addresses High/Low. Match Type.
IEEE 1588 – Precision Time Protocol	timer_{s,ns} timer_{adjust,incr} timer_strobe_{s,ns}	IEEE 1588 second, nanosecond counter and adjustment, increment.
	ptp_tx_{s,ns} ptp_peer_tx_{s,ns}	IEEE 1588 Tx normal/peer second, nanosecond counter.
	ptp_rx_{s,ns} ptp_peer_rx_{s,ns}	IEEE 1588 Rx normal/peer second, nanosecond counter.
Clocks and Reset	slcr.GEM{1,0}_CLK_CTRL slcr.GEM{1,0}_RCLK_CTRL slcr.GEM{1,0}_CPU_1XCLKACT slcr.GEM_RST_CTRL	Refer to <a href="#">Chapter 25, Clocks</a> and <a href="#">Chapter 26, Reset System</a> for more information.
I/O Signal Routing	slcr.MIO_PIN_{xxx}	Refer to <a href="#">IOP Interface Connections, page 48</a> for MIO pin programming information.

## 16.5.2 Status and Statistics Registers

The statistics registers hold counts for various types of events associated with transmit and receive operations. These registers, along with the status words stored in the receive buffer list, enable software to generate network management statistics compatible with IEEE 802.3. (See [Table 16-10](#)).

Table 16-10: Ethernet Status and Statistics Register Overview

Function	Hardware Register Name	Description
Frame Tx Statistics	frames_tx broadcast_frames_tx multi_frames_tx	Error-free Tx frame, pause frame counts and bytes counts.
	frames_64b_tx frames_65to127b_tx frames_128to255b_tx frames_256to511b_tx frames_512to1023b_tx frames_1024to1518b_tx	Error-free frames transmitted: totals by size.
	octets_tx_{top,bot}	Octets transmitted.
	deferred_tx_frames	
	pause_frames_tx tx_under_runs	Octets received High/Low, Under-run error count.
	Frame Tx Statistics for Half Duplex Transmission	{multi,single}_collisn_frames excessive_collisns late_collisns carrier_sense_errs

Table 16-10: Ethernet Status and Statistics Register Overview (Cont'd)

Function	Hardware Register Name	Description
Frame Rx Statistics	frames_rx bdcast_fames_rx multi_frames_rx	Error-free frames received: normal, broadcast, multicast, pause.
	frames_64b_rx frames_65to127b_rx frames_128to255b_rx frames_256to511b_rx frames_512to1023b_rx frames_1024to1518b_rx	Error-free frames received: totals by size.
	{undersz,oversz,jab}_rx	Undersize, oversize and jabber frames.
	fcs_errors length_field_errors	Frame sequence, length, symbol, alignment error counters.
	octets_rx_{top,bot}	
	rx_symbol_errors align_errors rx_resource_errors rx_overrun_errors	Rx resource, overrun and last statistic clearing offset for clearing.
Frame Rx Checksum Error Statistics	ip_hdr_csum_errors tcp_csum_errors udp_csum_errors	Checksum error counters: IP Header, TCP, UDP



## 16.6 Signals and I/O Connections

### 16.6.1 MIO–EMIO Interface Routing

The I/O interface is routed to the MIO for RGMII, and to the EMIO for GMII/MII connectivity. The PL can modify the GMII/MII interface from the MAC to construct other Ethernet interfaces that connect to external devices via PL pins. The routing of the Ethernet communications signals are shown in [Figure 16-6](#). The Ethernet communications ports are independently routed to the MIO pins (as RGMII) or to a set of EMIO interface signals (as GMII). When using the EMIO interface both the TX and RX clocks are inputs to the PS.

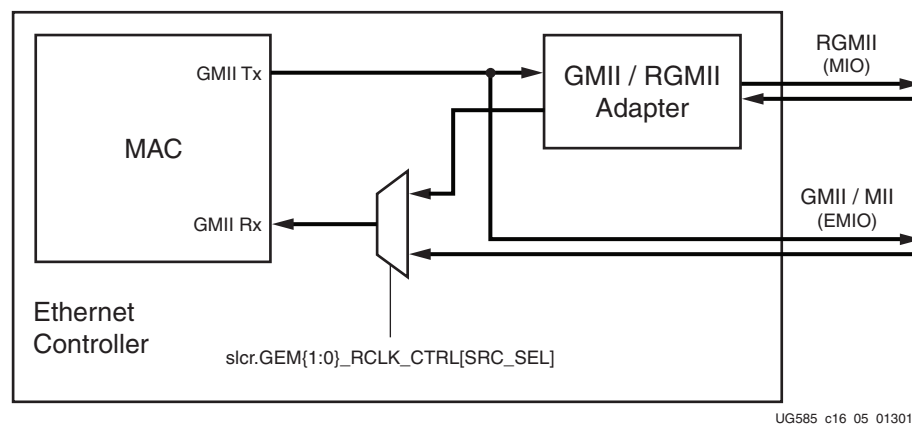


Figure 16-6: Interface Select Multiplexer

### 16.6.2 Precision Time Protocol

The PTP signals connected to the Ethernet controller provide the capability to handle IEEE-1588 precision time protocol (PTP) signaling.

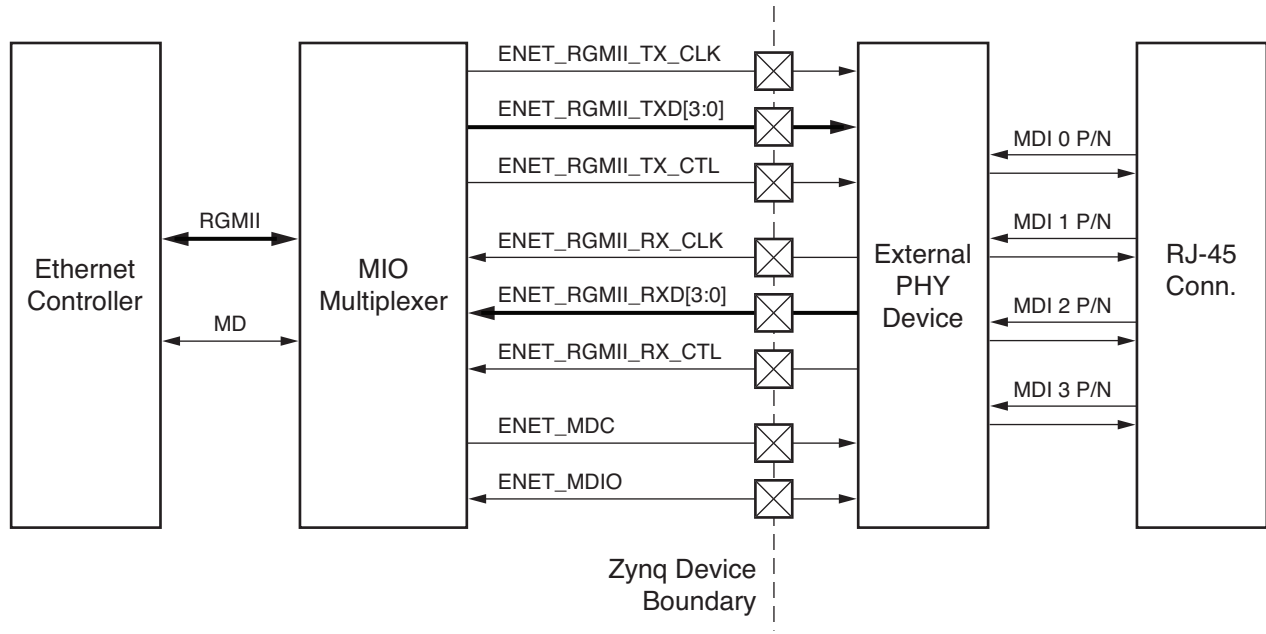
### 16.6.3 Programmable Logic (PL) Implementations

There are options to provide further external interface standard support by linking the GMII signals on the EMIO interface to the PL. Users can design and connect logic to generate other interface standards on the PL pins.

TBI support can be provided by connecting the GMII to a TBI compatible logic core in the PL which provides the PCS functions required for ten-bit interfacing to an external PHY via the PL pins. SGMII or 1000 Base-X support can be provided by connecting the GMII to an SGMII or 1000 Base-X compatible logic core which provides the required PCS functions and signal adaptation and drives an MGT for serial interfacing to an external PHY.

### 16.6.4 RGMII Interface via MIO

An example Ethernet communications wiring connection is shown in Figure 16-7



UG585\_c16\_06\_022712

Figure 16-7: Ethernet Communications Wiring Connections

All Ethernet I/O pins routed through the MIO are on MIO Bank 1 (see Table 16-11). The MIO pins and restrictions based on device version are shown in the MIO table in section 2.5.4 MIO-at-a-Glance Table.

Table 16-11: Ethernet RGMII Interface Signals via MIO Pins

Controller Signal		MIO Pins			
Signal Description	Default Controller Input Value	GigE 0	GigE 1	Name	I/O
Tx clock to PHY	~	16	28	RGMII_TX_CLK	O
Tx control to PHY	~	21	33	RGMII_TX_CTL	O
Tx data 0 to PHY	~	17	29	RGMII_TX_D0	O
Tx data 1 to PHY	~	18	30	RGMII_TX_D1	O
Tx data 2 to PHY	~	19	31	RGMII_TX_D2	O
Tx data 3 to PHY	~	20	32	RGMII_TX_D3	O
Rx clock from PHY	0	22	34	RGMII_RX_CLK	I
Rx control from PHY	0	27	39	RGMII_RX_CTL	I
Rx data 0 from PHY	0	23	35	RGMII_RX_D0	I
Rx data 1 from PHY	0	24	36	RGMII_RX_D1	I

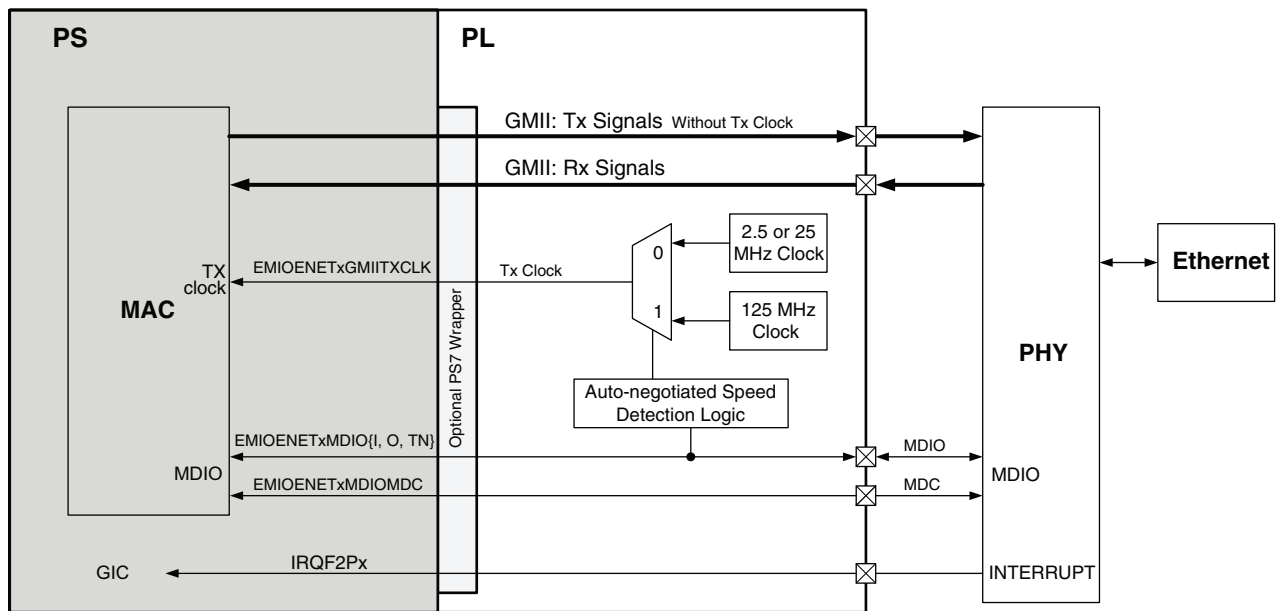
Table 16-11: Ethernet RGMII Interface Signals via MIO Pins (Cont'd)

Controller Signal		MIO Pins			
Signal Description	Default Controller Input Value	GigE 0	GigE 1	Name	I/O
Rx data 2 from PHY	0	25	37	RGMII_RX_D2	I
Rx data 3 from PHY	0	26	38	RGMII_RX_D3	I

### 16.6.5 GMII/MII Interface via EMIO

An example illustrating the GMII interface connections through the PL to the PL pins is shown in Figure 16-8. Ethernet GMII/MII interface signals routed through the EMIO are identified in Table 16-12.

Zynq-7000 AP SoC Device



UG585\_c16\_07\_100212

Figure 16-8: GMII Interface via EMIO Connections

Table 16-12: Ethernet GMII/MII Interface Signals via EMIO Interface

Interface Signal	Reference Clock	Default Controller Input Value	EMIO Interface Signals	
			Name	I/O
Carrier sense	~		EMIOENET[1,0]GMIICRS	I
Collision detect	~		EMIOENET[1,0]GMIICOL	I
Controller Interrupt input	~		EMIOENET[1,0]EXTINTIN	I
<b>Tx Signals</b>				
Tx Clock	~		EMIOENET[1,0]GMIITXCLK	I
Tx Data (7:0)	Tx Clk	~	EMIOENET[1,0]GMIITXD[7:0]	O

Table 16-12: Ethernet GMII/MII Interface Signals via EMIO Interface (Cont'd)

Interface Signal	Reference Clock	Default Controller Input Value	EMIO Interface Signals	
			Name	I/O
Tx Enable	Tx Clk	~	EMIOENET[1,0]GMIITXEN	O
Tx Error	Tx Clk	~	EMIOENET[1,0]GMIITXER	O
<b>Tx Timestamp Signals</b>				
Tx Start-of-Frame	Tx Clk	~	EMIOENET[1,0]SOFTX	O
Tx PTP delay req frame detected	Tx Clk	~	EMIOENET[1,0]PTPDELAYREQTX	O
Tx PTP peer delay frame detect	Tx Clk	~	EMIOENET[1,0]PTPPDELAYREQTX	O
Tx PTP pear delay response frame detected	Tx Clk	~	EMIOENET[1,0]PTPPDELAYRESPTX	O
Tx PTP sync frame detected	Tx Clk	~	EMIOENET[1,0]PTPSYNCFRAMETX	O
<b>Rx Signals</b>				
Rx Clock	~		EMIOENET[1,0]GMIIRXCLK	I
Rx Data (7:0)	Rx Clk		EMIOENET[1,0]GMIIRXD[7:0]	I
Rx Data valid	Rx Clk		EMIOENET[1,0]GMIIRXDV	I
Rx Error	Rx Clk		EMIOENET[1,0]GMIIRXER	I
<b>Rx Timestamp Signals</b>				
Rx Start of Frame	Rx Clk	~	EMIOENET[1,0]GMIISOFRX	O
Rx PTP delay req frame detected	Rx Clk	~	EMIOENET[1,0]PTPDELAYREQRX	O
Rx PTP peer delay frame detected	Rx Clk	~	EMIOENET[1,0]PTPPDELAYREQRX	O
Rx PTP peer delay response frame detected	Rx Clk	~	EMIOENET{0.1}PTPPDELAYRESPRX	O
Rx PTP sync frame detected	Rx Clk	~	EMIOENET{0.1}PTPSYNCFRAMERX	O

**Notes:**

1. If using MII connect the RX[7:4] bits to logic zero.

## 16.6.6 MDIO Interface Signals via MIO and EMIO

MDIO interface signals routed through the MIO and EMIO are identified in [Table 16-13](#).

Table 16-13: MDIO Interface Signals via MIO and EMIO

MDIO Interface	Default Controller Input Value	MIO Pins				EMIO Interface Signals	
		GigE 0	GigE 1	I/O	Name	Name	I/O
MD clock output	~	52	52	O	MDIO_CLK	EMIOENET[1:0]MDIOMDC	O
MD data output	~	53	53	IO	MDIO_IO	EMIOENET[1:0]MDIOO	O
MD data 3-state	~					EMIOENET[1:0]MDIOTN	O
MD data input	0					EMIOENET[1:0]MDIOI	I

## 16.6.7 MIO Pin Considerations

LVC MOS33 is not supported for the RGMII interface. Recommendation is to use 1.8/2.5V I/O standards.

---

## 16.7 Known Issues

1. On TX, GigE needs multiple descriptors with the last descriptor in the BD ring having the used bit set. It is needed to ensure the GigE does not wrap and attempt to transmit the same frames more than once.

On RX, there is no hard requirement to have multiple buffer descriptors, although it is a very sensible thing to minimize the chance of getting buffer resource errors (where the hardware has a frame to write to memory, but there is no free buffer(s) to write to). Extreme overflow conditions in general are more likely when these buffer resource errors occur.

**Workaround:** Configure at least two buffer descriptors for both Tx/Rx data paths.

2. It is possible to have the last frame(s) stuck in the RX FIFO with the software having no way to get the last frame(s) out of there. The GEM only initiates a descriptor request when it receives another frame. Therefore, when a frame is in the FIFO and a descriptor only becomes available at a later time and no new frames arrive, there is no way to get that frame out or even know that it exists.

This issue does not occur under typical operating conditions. Typical operating conditions are when the system always has incoming Ethernet frames. The above mentioned issue occurs when the MAC stops receiving the Ethernet frames.

**Workaround:** There is no workaround in the software.

3. When discarding a frame or detecting an error, the GEM stores a status packet in the receive FIFO (write side) indicating the erroneous condition. Once that status packet reaches the front of the FIFO (read side) the error counter is incremented. When the FIFO is full no additional status packets can be written into the FIFO and any further errors are discarded. For example, there could be thousands of overflow errors but the overflow error counter only registers the first few. This problem applies to all errors for which stats are maintained.

As a secondary problem the errors are only visible once they reach the front of the FIFO. If there is a packet at the beginning of the FIFO that cannot be written to memory because of unavailability of a RX DMA descriptor, many errors could occur that are not visible to software. The error counters stay at zero because all the error status packets are backed up behind the data packet.

**Workaround:** There is no workaround in the software.

4. GigE has an issue with the Rx packet buffer DMA design. The issue occurs under extreme Rx traffic conditions with not enough DMA bandwidth. This results in the Rx packet buffer filling up, leading to an overflow. The packet buffer overflow causes an overflow status word to be written into the packet buffer for reporting. If the extreme traffic condition persists for a long time, this results in a large number of such overflow status words being written into the packet buffer. This

eventually overflows an 8-bit internal counter in the GigE Rx module used to track the number of packets in the Rx buffer needing a "read out." Once the 8-bit counter overflows, it leads to corruption of local fill level counters in the GigE, which results in a deadlock on the Rx path.

The chances of running into this issue is very high if GigE is subjected to a heavy Rx traffic condition with small-sized packets. A typical example could be small-sized UDP packets.

**Workaround:** Once a deadlock is hit on the Rx path, reset the Rx path by first writing a 0 to the `gem.net_ctrl[rx_en]` bit and then a writing a 1 to the same bit. The software can have a timer mechanism to perform this task. In a typical example, the software can create a timer which expires every 100 milliseconds. In the timer handler the software can monitor the register `gem.frames_rx`, which stores the number of received error-free frames. If the SW finds out that the GigE has stopped receiving error-free frames in two successive invocation of the timer handler, it resets the Rx path by writing a 0 and then a 1 to the `gem.net_ctrl[rx_en]` bit.

# SPI Controller

---

## 17.1 Introduction

The SPI bus controller enables communications with a variety of peripherals such as memories, temperature sensors, pressure sensors, analog converters, real-time clocks, displays, and any SD card with serial mode support. The SPI controller can function in master mode, slave mode or multi-master mode. The Zynq-7000 devices include two SPI controllers. The controller is based on the Cadence SPI core.

In master mode, the controller drives the serial clock and slave selects with an option to support SPI's multi-master mode. The serial clock is derived from the PS clock subsystem. The controller initiates messages using up to 3 individual slave select (SS) output signals that can be externally expanded. The controller reads and writes to slave devices by writing bytes to the 32-bit read/write data port register.

In multi-master mode, the controller three-states its output signals when the controller is not active and can detect contention errors when enabled. The outputs are three-stated immediately by resetting the SPI enable bit. An Interrupt Status register indicates a mode fault.

In slave mode, the controller receives the serial clock from the external device and uses the SPI\_Ref\_Clk to synchronize data capture. The slave mode includes a programmable start detection mechanism when the controller is enabled while the SS is asserted.

The read and write FIFOs provide buffering between the SPI I/O interface and the software servicing the controller via the APB slave interface. The FIFO are used for both slave and master I/O modes.

This chapter is organized into the following sections:

- [17.1 Introduction](#)
- [17.2 Functional Description](#)
- [17.3 Programming Guide](#)
- [17.4 System Functions](#)
- [17.5 I/O Interfaces](#)

## 17.1.1 Features

Each SPI controller is configured and controlled independently, They include the following features:

- Four wire bus – MOSI, MISO, SCLK, and SS
  - up to 3 slave selects for master mode
- Full-duplex operation offers simultaneous receive and transmit
- 32-bit register programming via APB slave interface
- Memory mapped read/write data ports for Rx/Tx FIFOs (byte-wide)
  - 128-byte read and 128-byte write FIFOs
  - Programmable FIFO thresholds status and interrupts
- Master I/O mode
  - Manual and auto start transmission of data
  - Manual and auto slave select (SS) mode
  - Slave select signals can be connected directly to slave devices or expanded externally
  - Programmable SS and MOSI delays
- Slave I/O mode
  - Programmable start detection mode
- Multi-master I/O Capable
  - Drives I/O buffers into 3-state if controller is not enabled
  - Generates a Mode Failure interrupt when another master is detected
- 50 MHz SCLK clock frequency when I/O signals are routed to the MIO pins
  - 25 MHz SCLK when the I/O signals are routed via the EMIO interface to the PL pins
- Programmable clock phase and polarity (CPHA, CPOL)
- Programmable interrupt-driven device or poll status



## 17.1.2 System Viewpoint

The system viewpoint diagram of the SPI controller is shown in [Figure 17-1](#).

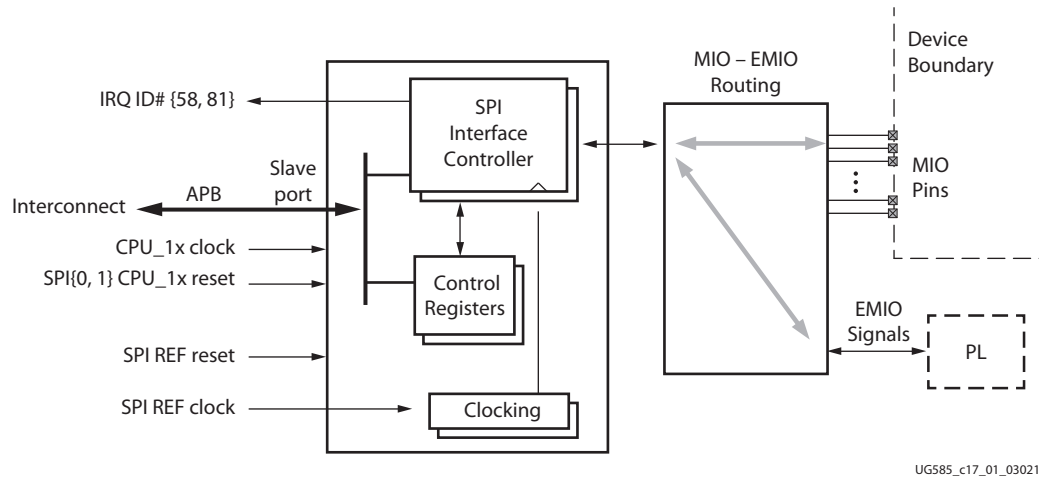


Figure 17-1: SPI System Block Diagram

### SPI Interface Controller

There are two independent SPI interface controllers (SPI<sub>x</sub>; where  $x = 0$  or  $1$ ). The I/O signals of each independent controller can be routed to MIO pins or the EMIO interface. Each controller also has individual interrupts signals to the PS interrupt controller and a separate reset signal. Each controller has its own set of control and status registers.

### Clocking

The PS clock subsystem provides a reference clock to the SPI controller. The SPI\_Ref\_Clk clock is used for the controller logic and by the baud rate generator to create the SCLK clock for master mode.

### MIO-EMIO

The SPI I/O signals can be routed to the MIO pins or the EMIO interface to the PL, as explained in [17.5 I/O Interfaces](#). The general routing of signals is explained in [Chapter 2, Signals, Interfaces, and Pins](#).

### 17.1.3 Block Diagram

A functional block diagram of the SPI controller is shown in [Figure 17-2](#).

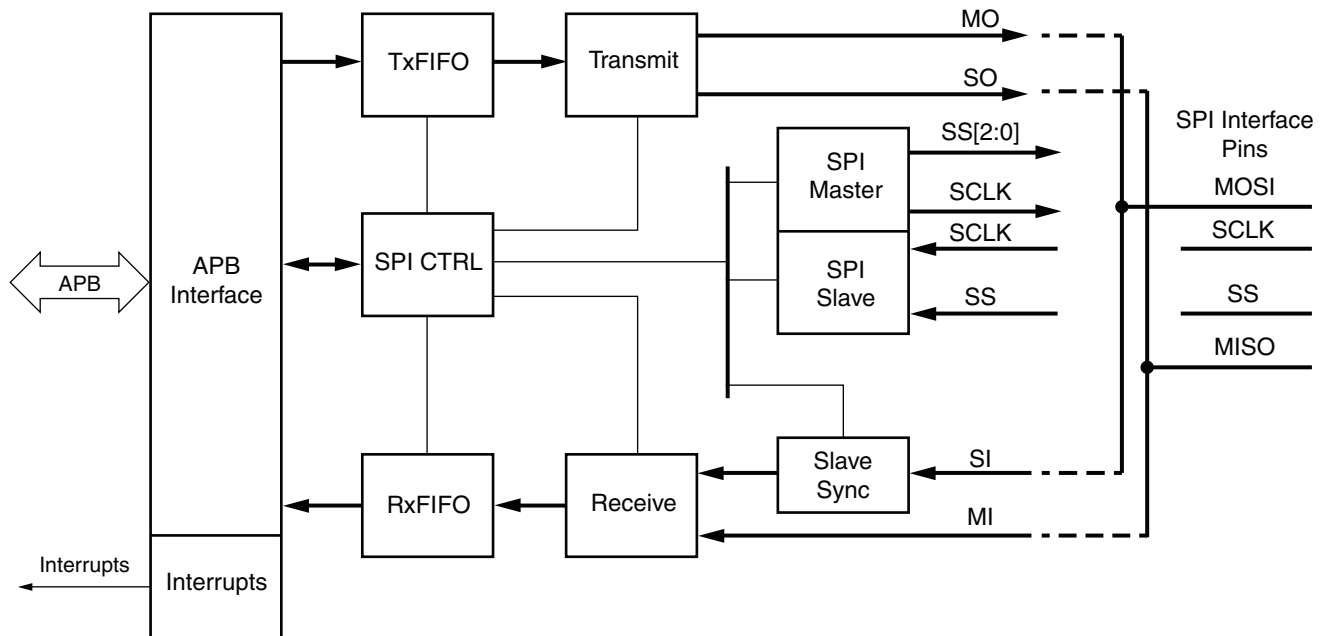


Figure 17-2: SPI Peripheral Block Diagram

#### APB Slave Interface

The 32-bit APB slave interface responds to register reads and writes, including data ports for reading and writing commands and data from and to the FIFOs. All registers transactions are 32 bits. The data ports use bits [7:0] of these ports. The configuration and status registers are listed in [Appendix B, Register Details](#).

#### SPI Master Mode

When the controller operates in master mode, it drives the SCLK clock and up to 3 slave select output signals. The SS and start of transmission on MOSI can be manually controlled by software or automatically controlled by the hardware.

#### SPI Slave Mode

When the controller operates in slave mode, it uses a single slave select input (SS 0). The SPI signals are shown in [Figure 17-2](#) and listed in [section 17.5 I/O Interfaces](#). The SCLK is synchronized to the controller reference clock (SPI\_Ref\_Clk). Refer to [section 17.2.3 Slave Mode](#).

## Tx and Rx FIFOs

Each FIFO is 128 bytes. Software reads and writes these FIFOs using the register mapped data port registers. FIFO management for master mode is described in [17.3.3 Master Mode Data Transfer](#) and for slave mode in [17.3.4 Slave Mode Data Transfer](#).

The FIFOs bridge two clock domains; APB interface and the controller's SPI\_Ref\_Clk. Software writes to the TxFIFO in the APB clock domain and the controller reads the TxFIFO in the SPI\_Ref\_Clk domain.

The controller fills the RxFIFO in the SPI\_Ref\_Clk domain and software reads the RxFIFO in the APB clock domain.

## 17.1.4 Notices

### 7z010 CLG225 Device

The 7z010 CLG225 device supports 32 MIO pins (not 54). This is shown in the MIO table in section [2.5.4 MIO-at-a-Glance Table](#). The 7z010 CLG225 device restricts the available MIO pins so connections through the EMIO should be considered. All of the 7z010 CLG225 device restrictions are listed in section [1.1.3 Notices](#).

## 17.2 Functional Description

- [17.2.1 Master Mode](#)
- [17.2.2 Multi-Master Capability](#)
- [17.2.3 Slave Mode](#)
- [17.2.4 FIFOs](#)
- [17.2.5 FIFO Interrupts](#)
- [17.2.6 Interrupt Register Bits, Logic Flow](#)
- [17.2.7 SPI-to-SPI Connection](#)

### 17.2.1 Master Mode

In master mode, the SPI I/O interface can transmit data to a slave or initiate a transfer to receive data from a slave. The controller selects one slave device at the time using one of the three slave select lines. If more than three slave devices need to be connected to the master, it is possible to add an external peripheral select 3-to-8 decode on the board.

#### Data Transfer

The SCLK clock and MOSI signals are under control of the master. Data to be transmitted is written into the TxFIFO by software using register writes and then unloaded for transmission by the controller hardware in a manual or automatic start sequence. Data is driven onto the master output (MOSI) data pin. Transmission is continuous while there is data in the TxFIFO.

Data is received serially on the MISO data pin and is loaded 8 bits at a time into the RxFIFO. Software reads the RxFIFO using register reads. For every “n” bytes written to the TxFIFO, there will be “n” bytes stored in RxFIFO that must be read by software before starting the next transfer.

#### Auto/Manual SS and Start

Data transfers on the I/O interface can be manually started using software or automatically started by the controller hardware. In addition, the slave select assertion/de-assertion can be done by the controller hardware or from software. These four combinations are shown in [Table 17-1](#).

Table 17-1: SPI Master Mode SS and Start Modes

Slave Select Control	Data Transfer Start Control	Manual Slave Select	Manual Start Enable & Command	Operation
Manual SS (software)	Manual Start	1	1	Software controls the slave select and must issue the start command to serialize data.
	Auto Start	1	0	Software controls the slave select, but the controller hardware automatically starts to serialize data when there is data in the TxFIFO.

Table 17-1: SPI Master Mode SS and Start Modes (Cont'd)

Slave Select Control	Data Transfer Start Control	Manual Slave Select	Manual Start Enable & Command	Operation
Auto SS (controller)	Manual Start	0	1	Controller hardware controls the slave select, but the software must issue the start command to serialize data in the TxFIFO.
	Auto Start	0	0	Controller hardware controls the slave select and serializes data when there is data in the TxFIFO.

## Manual SS

Software selects the manual slave select method by setting the spi.Config\_reg0 [Manual\_CS] bit = 1. In this mode, software must explicitly control the slave select assertion/de-assertion. When the [Manual\_CS] bit = 0, the controller hardware automatically asserts the slave select during a data transfer.

## Automatic SS

Software selects the auto slave select method by programming the spi.Config\_reg0 [Manual\_CS] bit = 0. The SPI controller asserts/de-asserts the slave select for each transfer of TxFIFO content on to the MOSI signal. Software writes data to the TxFIFO and the controller asserts the slave select automatically, transmits the data in the TxFIFO and then de-asserts the slave select. The slave select gets de-asserted after all the data in the Tx FIFO is transmitted. This is the end of the transfer.

Software ensures the following in automatic slave select mode.

- Software continuously fills the TxFIFO with the data bytes to be transmitted, without the TxFIFO becoming empty, to maintain an asserted slave select.
- Software continuously reads data bytes received in the Rx FIFO to avoid overflow.

Software uses the TxFIFO and Rx FIFO threshold levels to avoid FIFO under- and over-flows. The TxFIFO Not Full condition is flagged when the number of bytes in TxFIFO is less than the TxFIFO threshold level. The Rx FIFO full condition is flagged when the number of bytes in Rx FIFO is equal to 128.

## Manual Start

### Enable

Software selects the manual transfer method by setting the spi.Config\_reg0 [Man\_start\_en] bit = 1. In this mode, software must explicitly start the data transfer using manual start command mechanism. When the [Man\_start\_en] bit = 0, the controller hardware automatically starts the data transfer when there is data available in the TxFIFO.

### Command

Software starts a manual transfer by writing a 1 to the spi.Config\_reg0 [Man\_start\_com] bit. When the software writes the 1, the controller hardware starts the data transfer and transfers all the data

bytes present in the TxFIFO. The [Man\_start\_com] bit is self-clearing. Writing a 1 to this bit is ignored if [Man\_start\_en] = 0. Writing a 0 to [Man\_start\_com] has no effect, regardless of mode.

## 17.2.2 Multi-Master Capability

For Multi-master mode, the controller is programmed for master mode [MODE\_SEL] and can initiate transfers on any of the slave selects. When the software is ready to initiate a transfer, it enables the controller using the [SPI\_EN] bit. When the transaction is done, the software disables the controller. The controller cannot be selected by an external master when the controller is in Master Mode.

The controller detects another master on the bus by monitoring the open-drain slave select signal (active Low). The detection mechanism is enabled by the [Modedefail\_gen\_en]. When the controller detects another master, it sets the spi.Intr\_status\_reg0 [MODE\_FAIL] interrupt status bit and clears the spi.En\_reg0 [SPI\_EN] control bit. The software can receive the [MODE\_FAIL] interrupt so it can abort the transfer, reset the controller, and re-send the transfer.

## 17.2.3 Slave Mode

In slave mode, the controller receives messages from the external master and outputs a simultaneous reply. The controller enters slave mode when spi.Config\_reg0 [MODE\_SEL] = 0 and spi.En\_reg0 [SPI\_EN] = 1.

The SCLK latches data on the MOSI input. If the slave select input signal is High (inactive), the controller ignores the MOSI input. When the slave select is asserted, it must be held active for the duration of the transfer. If SS de-asserts during the transfer, the controller sets the spi.Intr\_status\_reg0 [MODE\_FAIL] interrupt bit. The software receives the [MODE\_FAIL] interrupt so it can abort the transfer, reset the controller, and re-send the transfer.

The error mechanism is enabled by the [Modedefail\_gen\_en] bit.

Data to be sent to the master is written into the TxFIFO by software and then serialized onto the master input (MISO) signal by the controller. Transmission continues while there is still data in the TxFIFO and the slave select signal remains asserted (active Low).

### Clocking

The slave select input pin must be driven synchronously to the SCLK input. The controller operates in the SPI\_Ref\_Clk clock domain. The input signals are synchronized and analyzed in the SPI\_Ref\_Clk domain.

### Word Detection

The start of a word is detected in the SPI\_Ref\_Clk clock domain.

- **Detection when Controller is enabled:** If the controller is enabled (from a disabled state) at a time when SS is Low (active), the controller will ignore the data and wait for the SCLK to be inactive (a word boundary) before capturing data. The controller counts SCLK inactivity in the SPI\_Ref\_Clk domain. A new word is assumed when the SCLK idle count reaches the value programmed into the [Slave\_Idle\_coun] bit field.

- **Detection when SS asserts:** With the controller enabled and SS is detected High (inactive), the controller will assume the start of the word occurs on the next active edge of SCLK after SS transitions Low (active).

**Note:** The start condition must be held active for at least four SPI\_Ref\_Clk cycles to be detected.

If slave mode is enabled at a time when the external master is very close to starting a data transfer, there is a small probability that false synchronization will occur, causing packet corruption. This issue can be avoided by any of the following means:

- Ensure that the external master does not initiate data transfer until at least ten SPI\_Ref\_Clk cycles have passed after slave mode has been enabled.
- Ensure that slave mode is enabled before the external master is enabled.
- Ensure that the slave select input signal is not active when the slave is enabled.

## 17.2.4 FIFOs

The Rx and Tx FIFOs are each 128 bytes deep.

### RxFIFO

If the controller attempts to push data into a full RxFIFO then the content is lost and the sticky overflow flag is set. No data is added to a full RxFIFO. Software writes a 1 to the bit to clear the [RX\_OVERFLOW] bit.

### TxFIFO

If software attempts to write data into a full TxFIFO then the write is ignored. No data is added to a full TxFIFO. The [TX\_FIFO\_full] bit is asserted until the TxFIFO is read and the TxFIFO is no longer full. If the TxFIFO overflows, the sticky [RX\_OVERFLOW] bit is set = 1.

### 17.2.5 FIFO Interrupts

The Rx and Tx FIFO interrupts are illustrated in Figure 17-3.

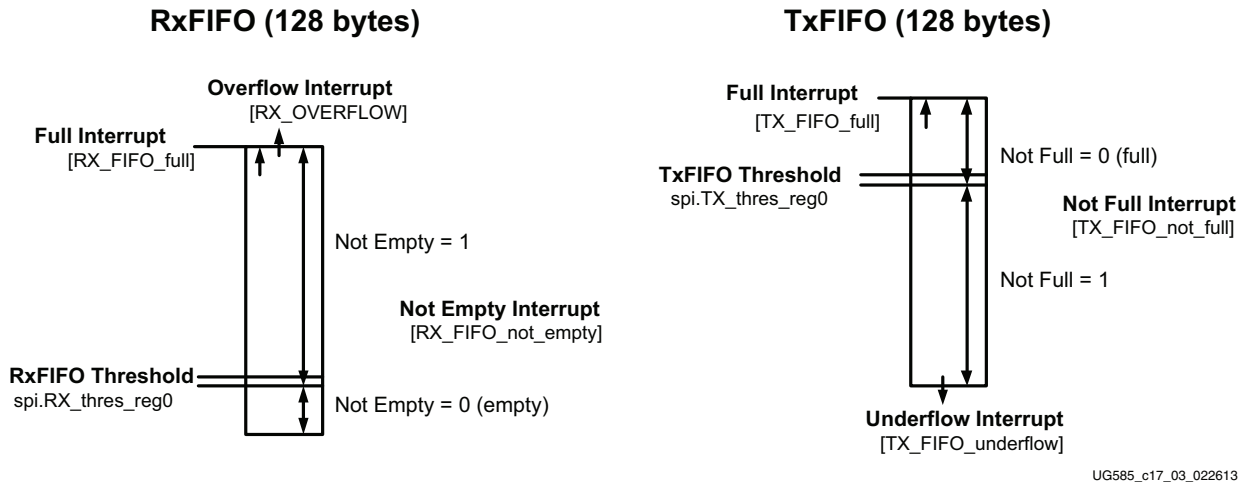


Figure 17-3: SPI Rx and Tx FIFO Interrupts

### 17.2.6 Interrupt Register Bits, Logic Flow

The interrupt status bits (sticky and dynamic) are filtered by the mask register and then sent to the system interrupt controller. The mask register is controlled by the en/dis interrupt control registers (see Figure 17-4).

**Interrupts:**

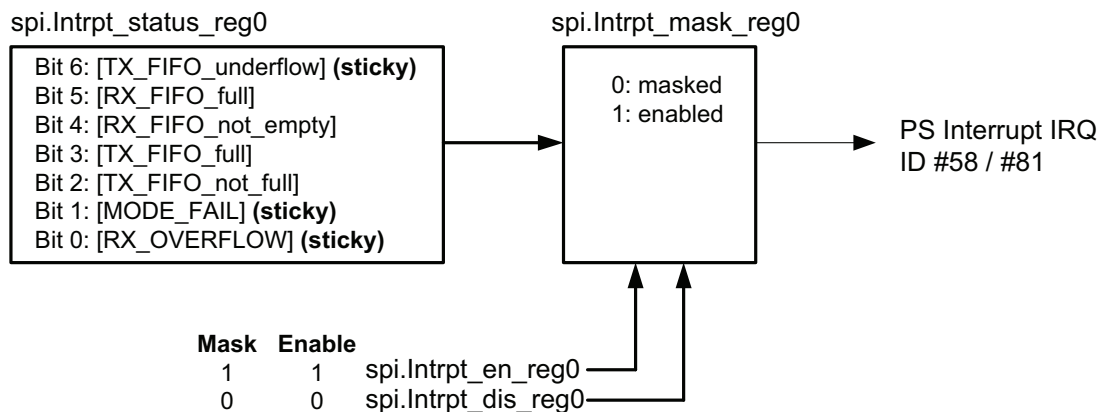


Figure 17-4: SPI Interrupt Register Bits, Logic Flow



## 17.2.7 SPI-to-SPI Connection

The I/O signals of the two SPI controller in the PC are connected together signals when the slcr.MIO\_LOOPBACK [SPI\_LOOP\_SPI1] bit is set = 1. In this mode, the clock, slave select, MISO, and MOSI signals from one controller are connected to the other controller's clock, slave, MISO, and MOSI signals. respectively.

---

## 17.3 Programming Guide

- [17.3.1 Start-up Sequence](#)
- [17.3.2 Controller Configuration](#)
- [17.3.3 Master Mode Data Transfer](#)
- [17.3.4 Slave Mode Data Transfer](#)
- [17.3.5 Interrupt Service Routine](#)
- [17.3.6 Register Overview](#)

### 17.3.1 Start-up Sequence

#### Example: Start-up Sequence

1. **Reset controller:** Assert and de-assert the Ref and CPU\_1x resets, refer to section [17.4.1 Resets](#).
2. **Program clocks:** Program the SPI\_Ref\_Clk, refer to section [17.4.2 Clocks](#).
3. **Tx/Rx signal routing:** Refer to section [17.5 I/O Interfaces](#).
4. **Controller configuration:** Refer to section [17.3.2 Controller Configuration](#).
5. **Interrupt configuration:** Configure the ISR to handle the interrupt conditions. The simplest ISR reads data from the RxFIFO and writes content to the TxFIFO. The PS interrupt controller is described in [Chapter 7, Interrupts](#). The interrupt mechanism for the SPI controller is described in section [17.3.5 Interrupt Service Routine](#).
6. **Start data transfers:**
  - Master Mode operation select: Manual/Auto start and SS, refer to section [17.3.3 Master Mode Data Transfer](#).
  - Slave Mode operation, refer to section [17.3.4 Slave Mode Data Transfer](#).

### 17.3.2 Controller Configuration

Set controller parameters by writing to the spi.Config\_reg register:

- Set baud rate [BAUD\_RATE\_DIV].
- Set clock phase [CLK\_PH] and Polarity [CLK\_POL].
- Select Master/Slave mode [MODE\_SEL].

- Set Mode fail generation, [Modedefail\_gen\_en], for multi-master mode systems.
- Set SS to 0b1111 to de-assert all the slave selects before the start of transfers.

### Example: SPI 0 Configuration for Master Mode

This example uses a single chip select, a baud rate of 12.5 Mb/s, a clock phase set to inactive, and a clock polarity of quiescent High.

1. **Configure the controller:** Write 0x0002\_FC0F to the spi.Config\_reg register.
  - a. De-assert all chip selects (for now): [CS] = 1111.
  - b. No external 3-to-8 chip select decoder. [PERI\_SEL] = 0.
  - c. Set baud rate to 12.5 Mbps. [BAUD\_RATE\_DIV] = 1.  
This example assumes a 50 MHz SPI\_Ref\_Clk. Baud rate generator description is in section [17.3.3 Master Mode Data Transfer](#).
  - d. Set clock phase, [CLK\_PH] and Polarity, [CLK\_POL] to 1. These parameters are discussed in section [17.5.1 Protocol](#).
  - e. Select Master mode: [MODE\_SEL] = 1.
  - f. Look for bus collisions: [Modedefail\_gen\_en] = 1.
  - g. Do not initiate a transmission. [Man\_start\_com] = 0.

## 17.3.3 Master Mode Data Transfer

The four combinations of master operating mode are described in section [17.2.1 Master Mode](#). The examples below illustrate the programming steps for each mode.

### Example: Master Mode – Manual SS and Manual Start

1. **Enable manual SS:** Write 1 to spi.Config\_reg [Manual\_CS].
2. **Select manual start:** Write 1 to spi.Config\_reg [Man\_start\_en].
3. **Assert slave select:** Set spi.Config\_reg [CS] = 1101 to assert slave select 1.
4. **Enable the controller:** Write 1 to spi.EN\_reg0 [SPI\_EN].
5. **Write bytes to the TxFIFO:**
  - a. Write the data to the TxFIFO using the register spi.Tx\_data\_reg.
  - b. Continue to write data to the TxFIFO to its full depth or until no further data is needed to be written.
  - c. Increment the data byte counter in the driver software after each byte is written to the TxFIFO.
6. **Enable the interrupts:** Write 0x27 to spi.Intrpt\_en\_reg to enable RxFIFO full, RxFIFO overflow, TXFIFO empty, and fault conditions.
7. **Start the data transfer:** Set spi.Config\_reg0 [Man\_start\_com] = 1.
8. **Wait for interrupts.**

9. **Interrupt handler:** Transfer any additional data to the slave the required data to SPI slave using the interrupt handler.
10. **Disable interrupts:** Write 0x27 to the spi.Intrpt\_dis\_reg to disable RxFIFO full, RxFIFO overflow, TxFIFO empty, and fault conditions.
11. **Disable the controller:** Set spi.En\_reg0 [SPI\_EN] = 0.
12. **De-assert slave select:** Set spi.Config\_reg0 [CS] = 1111.

### Example: Master Mode – Manual SS and Auto Start

1. **Enable manual SS:** Write 1 to spi.Config\_reg [Manual\_CS].
2. **Assert slave select:** Set spi.Config\_reg [CS] = 1101 to use slave select 1.
3. **Enable the controller:** Write 1 to spi.EN\_reg0 [SPI\_EN].
4. **Write bytes to the TxFIFO:**
  - a. Write the data to the TxFIFO using the register spi.Tx\_data\_reg.
  - b. Continue to write data to the TxFIFO to its full depth or until no further data is needed to be written.
  - c. Increment the data byte counter in the driver software after each byte is written to the TxFIFO.
5. **Enable the interrupts:** Write 0x27 to spi.Intrpt\_en\_reg to enable RxFIFO full, RxFIFO overflow, TxFIFO empty, and fault conditions.
6. **Wait for interrupts.**
7. **Interrupt handler:** Transfer any additional data to the slave the required data to SPI slave using the interrupt handler.
8. **Disable interrupts:** Write 0x27 to the spi.Intrpt\_dis\_reg to disable RxFIFO full, RxFIFO overflow, TxFIFO empty and fault conditions.
9. **Disable the controller:** Set spi.En\_reg0 [SPI\_EN] = 0.
10. **De-assert slave select:** Set spi.Config\_reg0 [CS] = 1111.

### Example: Master Mode – Auto SS and Manual Start

1. **Select manual start:** Write 1 to spi.Config\_reg0 [Man\_start\_en].
2. **Assert slave select:** Set spi.Config\_reg0 [CS] = 1101 to use slave select 1.
3. **Enable the controller:** Write 1 to spi.EN\_reg0 [SPI\_EN].
4. **Write bytes to the TxFIFO:**
  - a. Write the data to the TxFIFO using the register spi.Tx\_data\_reg.
  - b. Continue to write data to the TxFIFO to its full depth or until no further data is needed to be written.
  - c. Increment the data byte counter in the driver software after each byte is written to the TxFIFO.
5. **Set the FIFO threshold levels:** Set spi.TX\_thres\_reg0 and spi.RX\_thres\_reg0 threshold levels. Refer to the description at “automatic mode of operation” section.

6. **Enable the interrupts:** Write 0x27 to spi.Intrpt\_en\_reg to enable RxFIFO full, RxFIFO overflow, TxFIFO empty, and fault conditions.
7. **Start the data transfer:** Set spi.Config\_reg0 [Man\_start\_com] = 1.
8. **Interrupt handler:** Transfer any additional data to the slave the required data to SPI slave using the interrupt handler.
9. **Disable interrupts:** Write 0x27 to the spi.Intrpt\_dis\_reg to disable RxFIFO full, RxFIFO overflow, TxFIFO empty, and fault conditions.
10. **Disable the controller:** Set spi.En\_reg0 [SPI\_EN] = 0.
11. **De-assert slave select:** Set spi.Config\_reg0 [CS] = 1111.

## 17.3.4 Slave Mode Data Transfer

### Example: Slave Mode - Interrupt Driven

Ensure that the controller configuration is done and then:

1. **Slave configuration:** Write 0 to spi\_Config\_reg0.
2. **Enable the interrupts:** Write 0x37 to spi.Intrpt\_en\_reg to enable RxFIFO Not empty, RxFIFO full, RxFIFO overflow, TxFIFO empty, and fault conditions.
3. **Enable the controller:** Write 1 to spi.En\_reg [SPI\_EN].
4. Interrupt Handler: Receive data from master using the interrupt handler.
5. **Disable the interrupts:** Write 0x37 to spi.Intrpt\_DIS\_reg to disable RxFIFO Not empty, RxFIFO full, RxFIFO overflow, TxFIFO empty, and fault conditions.
6. **Disable the controller:** Write 0 to spi\_En\_reg0 [SPI\_EN].

## 17.3.5 Interrupt Service Routine

### Example: Interrupt Service Routine

This example handles RxFIFO overflow/underflow, multi-master collision (mode fail) and handles Rx and Tx data transfers.

1. **Disable all interrupts except TxFIFO Full and RxFIFO Not Empty:** Write 0x027 to spi.Intr\_dis\_REG.
2. **Determine the source of the interrupt:** Read the interrupt status register spi.Intr\_status\_reg0.
3. **Clear the interrupts:** Write 1s to the interrupt status register spi.Intr\_status\_reg0.
4. **Check for Mode fail Interrupt:** (multi-master operation). On mode fail, abort the current transfer:
  - a. Reset the controller
  - b. Re-configure the controller
  - c. Re-send the data.
5. **Empty the RxFIFO:** Read spi.Intr\_status\_reg0 [RX\_FIFO\_full] bits:

- a. Read data from the spi.Rx\_Data\_reg register. Continue to receive bytes using the data byte counter.
6. **Fill the TxFIFO:** More data can be written to the TxFIFO, if needed:
  - a. Write data to the spi.Tx\_Data\_reg0 register.
  - b. Continue to fill data until FIFO depth is reached or there is no further data.
  - c. Increment the data byte counter after each byte is pushed.
7. **Check for overflow or underflow:** Read the [TX\_FIFO\_underflow] or [RX\_OVERFLOW] status bits. Handle the overflow and underflow conditions accordingly.
8. **Enable the interrupts:** If more data need to be transmitted or received, set spi.Intrpt\_en\_reg0 [TX\_FIFO\_not\_full] and [RX\_FIFO\_full] both = 1.
9. **If there is data to be transferred (Sent/Received), then start the data transfer:**
  - When in master mode, and data transfer is done using manual start (for both manual/auto SS), set spi.Config\_reg [Man\_start\_en] = 1.

## 17.3.6 Register Overview

The SPI registers are detailed [Appendix B, Register Details](#). The register overview is provided in [Table 17-2](#).

Table 17-2: SPI Register Overview

Type	Register Name	Description
Controller Configuration	Config_reg0	Configuration
Controller enable	En_reg0	SPI controller enable
Interrupt	Intr_status_reg0	Interrupt status (Rx full, not empty and Tx full, not full)
	Intrpt_en_reg0	Interrupt enable
	Intrpt_dis_reg0	Interrupt disable
	Intrpt_mask_reg0	Interrupt mask/enable
FIFO thresholds	TX_thres_reg0	TxFIFO threshold level for not full
	RX_thres_reg0	RxFIFO Threshold level for not empty
Master mode	Delay_reg0	SS delays and separation counts in master mode
FIFO data ports	Tx_data_reg0	Transmit data (TxFIFO)
	Rx_data_reg0	Receive data (RxFIFO)
Slave mode	Slave_Idle_count_reg0	Slave idle count detects inactive SCLK

## 17.4 System Functions

- [17.4.1 Resets](#)
- [17.4.2 Clocks](#)

## 17.4.1 Resets

The controller has two reset domains: the APB interface and the controller itself. They can be controlled together or independently. The effects for each reset type are summarized in [Table 17-3](#).

Table 17-3: SPI Reset Effects

Name	APB Interface	TxFIFO and Rx FIFO	Protocol Engine	Registers
<b>ABP Interface Reset</b> slcr.SPI_RST_CTRL [SPIx_CPU1X_RST]	Yes	Yes	No	Yes
<b>PS Reset Subsystem</b> slcr.SPI_RST_CTRL [SPIx_REF_RST]	No	Yes	Yes	No

### Example: Reset the APB Interface and SPI 0 Controller

1. **Write to the slcr reset register for SPI.** Write a 1, and after some delay write a 0 to the slcr.SPI\_RST\_CTRL [SPI0\_REF\_RST] and [SPI0\_CPU1X\_RST] bit fields.

## 17.4.2 Clocks

The core of each SPI controller is driven by the same reference clock (SPI\_Ref\_Clk) that is generated by the PS clock subsystem, [Chapter 25, Clocks](#). The APB interface is clocked by the CPU\_1x clock. The CPU\_1x clock runs asynchronous to the reference clock. The operating frequency specifications for the controller clocks are defined in the data sheet. The I/O signals are clocked synchronously by the SCLK.

**Note:** Clock gating is used as power management feature for SPI. Please refer section [24.3.2 Peripherals](#) for more details.

### CPU\_1x

The CPU\_1x clock part of the CPU clock domain, refer section [25.2 CPU Clock](#).

### SPI\_Ref\_Clk

The clock enable, PLL select and divisor settings are programmed using the slcr.SPI\_CLK\_CTRL register as described in section [25.6.3 SDIO, SMC, SPI, Quad-SPI and UART Clocks](#).

**Frequency Restriction Note:** The SPI\_Ref\_Clk must be always be set to a higher frequency than the CPU\_1x clock frequency.

### Master Mode SCLK

The SCLK is driven by the controller in master mode. It is generated by the a divided-down SPI\_Ref\_Clk using the spi.Config\_reg0 [BAUD\_RATE\_DIV] bit field.

**Frequency Ratio Note:** The range of the baud rate divider is from a minimum of 4 to a maximum of 256 in binary steps (i.e., divide by 4, 8, 16,... 256).

### Example: SCLK for Master Mode

This example shows how to program the SPI\_Ref\_Clk to 100 MHz and the SCLK to 25 MHz. The example assumes the I/O PLL is at 1,000 MHz. The CPU\_1x clock frequency must be less than 100 MHz.

1. **Program SPI\_Ref\_Clk:** Select PLL source, divisors and enable: Write `0x0000_0A01` to the `slcr.SPI_CLK_CTRL` register.
  - a. Select the I/O PLL: `[SRCSEL] = 00`.
  - b. Divide the I/O PLL clock by 10: `[DIVISOR] = 0x0A`.
  - c. Enable the SPI 0 reference clock: `[CLKACT0] = 1`.
2. **Program the Baud Rate Generator:** Write `001` to the `spi.Contro_reg0 [BAUD_RATE_DIV]` when configuring the controller, refer to section [17.3.2 Controller Configuration](#).

### Slave Mode SCLK

The controller clocks the MOSI and SS signals with the SCLK from the external master. These signals are synchronized to the SPI\_Ref\_Clk and processed by the controller.

**Frequency Ratio Note:** The SPI\_Ref\_Clk frequency should be at least 2x the SCLK frequency in order for the controller to properly detect the start of the word transfer on the SPI bus.

---

## 17.5 I/O Interfaces

### [17.5.1 Protocol](#)

### [17.5.2 Back-to-Back Transfers](#)

### [17.5.3 MIO/EMIO Routing](#)

### [17.5.4 Wiring Connections](#)

### [17.5.5 MIO/EMIO Signal Tables](#)

## 17.5.1 Protocol

### Master Mode

The controller supports various I/O signaling relationships for master mode. There are four combinations for setting the phase and polarity control bits, `spi.Config_reg0 [CLK_PH]` and `[CLK_POL]`. These parameters affect the active edge of the serial clock, the assertion of the slave select and the idle state of the SCLK.

The clock phase parameter defines the state of the SS between words and the state of SCLK when the controller is not transmitting bits. The phase and polarity parameters are summarized in Table 17-4 and illustrated in Figure 17-2.

Table 17-4: SPI Clock Phase and Polarity Controls

	CLK_PH = 0		CLK_PH = 1	
	CLK_POL = 0	CLK_POL = 1	CLK_POL = 0	CLK_POL = 1
<b>Driving Edge</b>	negative	positive	positive	negative
<b>Sampling Edge</b>	positive	negative	negative	positive
<b>SS State between Words</b>	active		inactive	
<b>SCLK State outside of Word</b>	active		inactive	

### Clock Phase Setting, CPHA (CLK\_PH)

In master mode, the value of the clock phase bit, spi.Config\_reg0 [CLK\_PH] affects the I/O protocol using parameters in the spi.Delay\_reg0 register as follows (see Figure 17-5):

#### CLK\_PH = 0

- **SS Activity:** The master automatically drives the SS outputs inactive (High) for a the time programmed into the spi.Delay\_reg0 [d\_nss] bit field:  $\text{Time} = (1 + [d\_nss]) * \text{SPI\_Ref\_Clk}$  clock period. The minimum time is 2 SPI\_Ref\_Clk clock periods.
- **Delay between Words:** The delay between the last bit period of the current word and the first bit period on the next word:  $\text{Time} = (2 + [d\_btwn]) * \text{SPI\_Ref\_Clk}$  clock period. The minimum time is 3 SPI\_Ref\_Clk clock periods. This delay enables the Tx FIFO to be unloaded and ready for the next parallel-to-serial conversion and to toggle slave select inactive High.

#### CLK\_PH = 1

- **SS Activity:** The SS output signals are not driven inactive between words.
- **Delay between Words:** The minimum delay between the last bit period of the current word and the first bit period on the next word is, by default, one SPI\_Ref\_Clk cycles (configurable by the spi.Delay\_reg0 register). This allows the Tx FIFO to be unloaded and ready for the next parallel-to-serial-conversion.



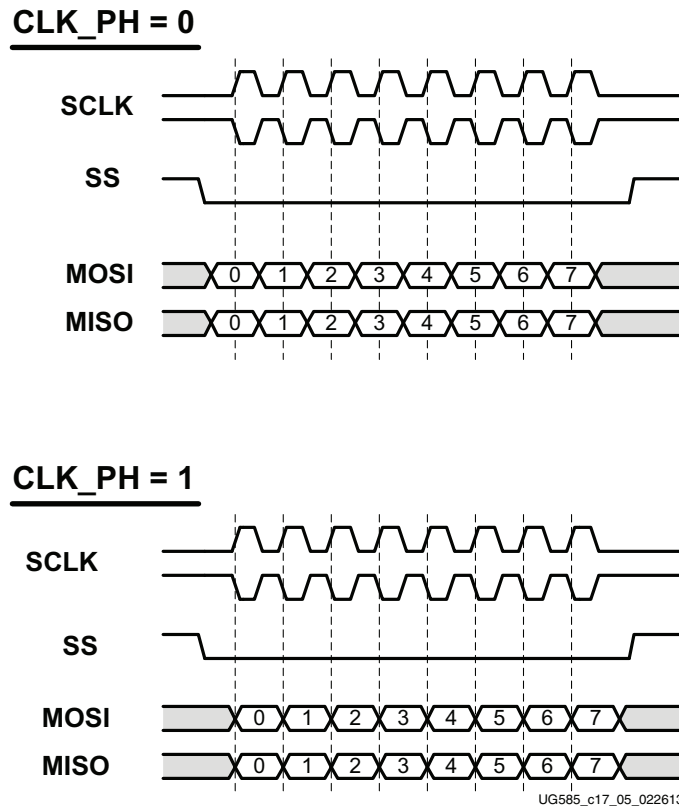


Figure 17-5: SPI I/O Signal Waveforms for Clock Phase and Polarity

## 17.5.2 Back-to-Back Transfers

(See [Figure 17-6](#).)

### Slave Mode Requirements

In slave mode, the controller can accept back-to-back transfers.

### Master Mode Options

- Auto SS, auto start (order these four starting with importance and include cross-reference for each)
- Auto SS, manual start
- Manual SS, auto start
- Manual SS, manual start

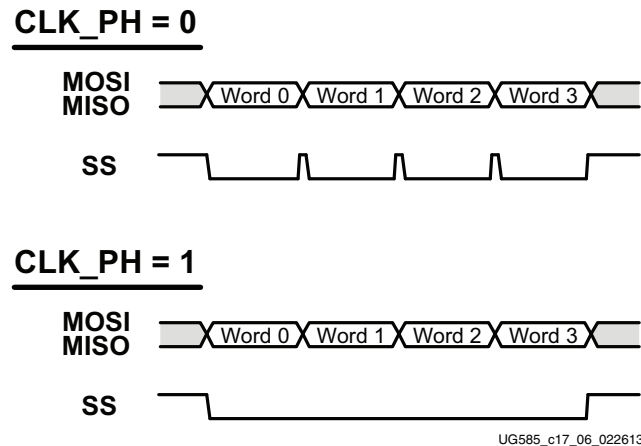


Figure 17-6: SPI Back-to-Back Transfers

### 17.5.3 MIO/EMIO Routing

The SPI interface signals can be routed either through the MIO pins or the EMIO interface. When the system is reset (e.g., PS\_POR\_B, PS\_SRST\_B and other methods), all of the I/O signals are routed to the EMIO interface by default.

The SPI bus can operate up to 50 MHz when the bus signals are routed via the MIO. When the signals are routed via EMIO to the PL pins, the nominal clock rate is 25 MHz. Refer to the frequency specifications that are defined in the data sheet.

To use the EMIO interface, the user must create logic in the PL to directly connect the SPI EMIO interface to PL I/O buffers attached to PL pins. The EMIO route supports up to 25 MHz I/O clocking.

The SPI signals can be routed to specific MIO pins. Wiring diagrams are shown in section [17.5.4 Wiring Connections](#). The general routing concepts and MIO I/O buffer configurations are explained in section [2.5 PS-PL MIO-EMIO Signals and Interfaces](#).

#### Example: Program the I/O for SPI 0 on to MIO pins 16 to 21

This example enables Master SPI 0 onto pins 16 to 21 using up to three slave selects.

1. **Configure MIO pin 16 for clock output.** Write `0x0000_22A0` to the `slcr.MIO_PIN_16` register.
  - a. Route SPI 0 clock to pin 16.
  - b. Enable output, `[TRI_ENABLE] = 0`.
  - c. LVCMOS18: `[IO_TYPE] = 001`
  - d. Slow CMOS drive edge.
  - e. Disable internal pull-up resistor.
  - f. Disable HSTL receiver.

2. **Configure MIO pins 17 for MISO input.** Write `0x0000_02A0` to each of the `slcr.MIO_PIN_17` register.
  - a. Route SPI 0 MISO to pin 17.
  - b. Disable output. `[TRI_ENABLE] = 1`.
  - c. LVCMOS18: `[IO_TYPE] = 001`.
  - d. Slow CMOS drive edge.
  - e. Disable internal pull-up resistor.
  - f. Disable HSTL receiver.
3. **Configure MIO pin 18, 19 and/or 20 for Slave Select outputs.** Write `0x0000_32A0` to the `slcr.MIO_PIN_18`, 19 and/or 20 registers. The internal pull-up is enabled.
  - a. Route SPI 0 slave selects signal(s) to pins 18, 19 and/or 20. Any and all of the slave selects can be activated for master mode. In slave mode, SS 0 must be used.
  - b. 3-state controlled by SPI: `[TRI_ENABLE] = 0`.
  - c. LVCMOS18: `[IO_TYPE] = 001`.
  - d. Slow CMOS drive edge.
  - e. Enable internal pull-up resistor.
  - f. Disable HSTL receiver.
4. **Configure MIO pins 21 for MOSI.** Write `0x0000_22A0` to each of the `slcr.MIO_PIN_21` register:
  - a. Route SPI 0 MOSI to pin 21.
  - b. 3-state controlled by SPI `[TRI_ENABLE] = 0`.
  - c. LVCMOS18: `[IO_TYPE] = 001`.
  - d. Slow CMOS drive edge.
  - e. Disable internal pull-up resistor.
  - f. Disable HSTL receiver.

## 17.5.4 Wiring Connections

The user can connect the each SPI controller to external SPI slaves or an SPI master via the MIO pins or the EMIO interface to PL pins. Wiring examples:

- Master Mode via MIO, [Figure 17-7](#)
- Master Mode via EMIO, [Figure 17-8](#)
- Slave Mode via MIO, [Figure 17-9](#)

The I/O signals of the two SPI controllers in the PS can be connected together as described in section [17.2.7 SPI-to-SPI Connection](#).

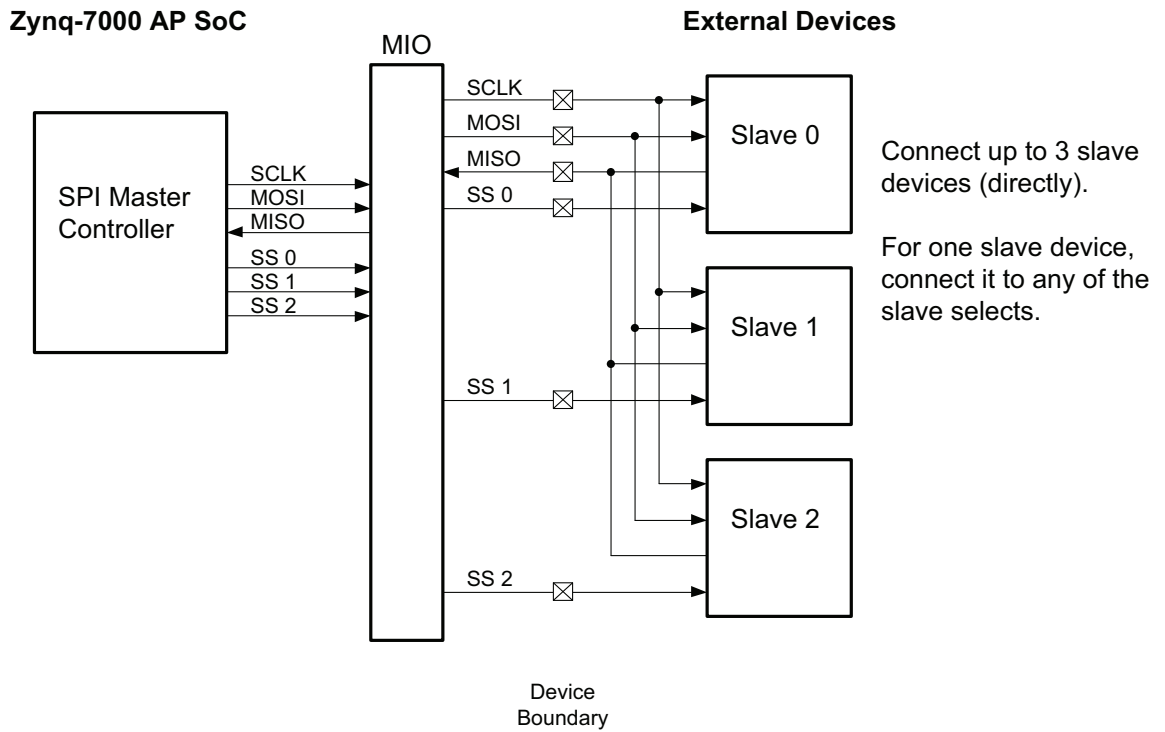



---

**IMPORTANT:** *In master mode, connect SS0 to  $V_{CC}$  if SS0 is not used. This is important because the controller snoops this signal in master mode to detect a multi-master mode situation; if SS0 is a logic Low, then the controller assumes multi-master mode and waits for SS0 to de-assert before issuing a transaction.*

---

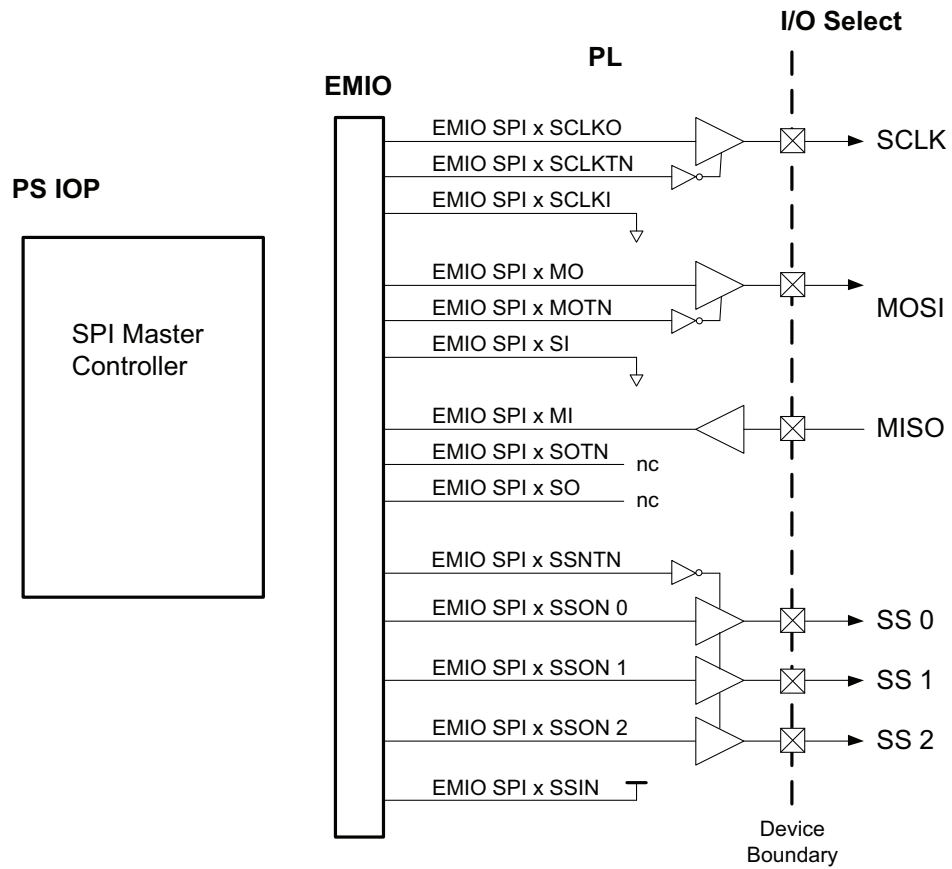
### Master Mode via MIO



UG585\_c17\_07\_022613

Figure 17-7: SPI Master Mode Wiring Diagram via MIO

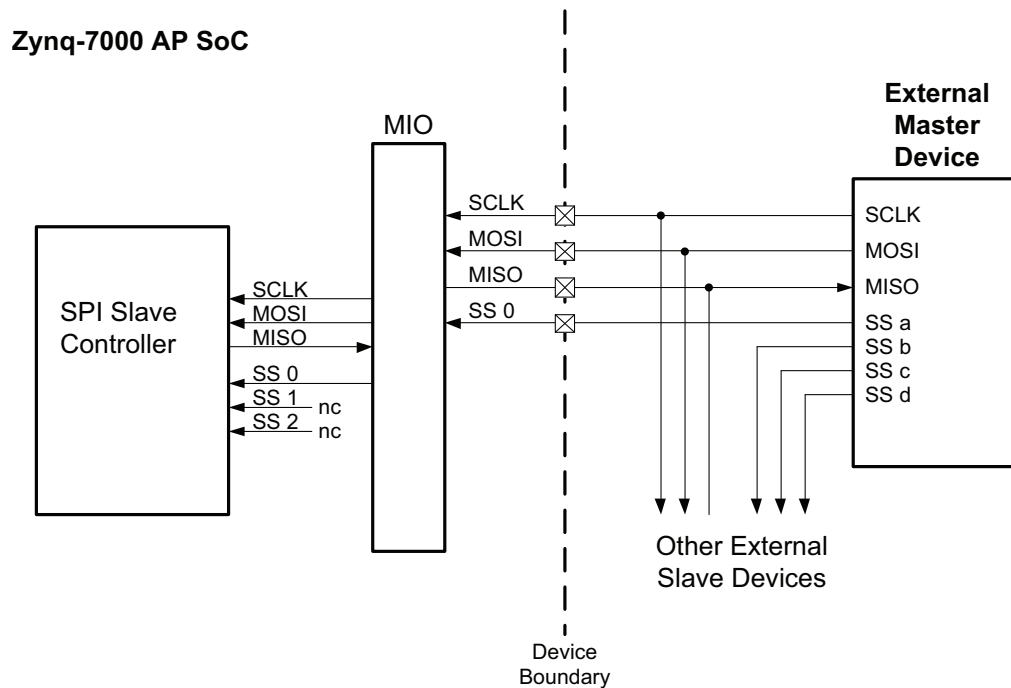
### Master Mode via EMIO



UG585\_c17\_08\_022613

Figure 17-8: SPI Master Mode Wiring Diagram via EMIO

### Slave Mode via MIO



UG585\_c17\_09\_022613

Figure 17-9: SPI Slave Mode Wiring Diagram via MIO

## 17.5.5 MIO/EMIO Signal Tables

The SPI I/O interface signals routing has some options. The routing options include multiple positions in the MIO pins. The options are illustrated in section 2.5.4 MIO-at-a-Glance Table and in Table 17-5.

**Default Input Signal Routing:** If the I/O signals are not routed to a set of MIO pins (MIO\_PIN\_xx register programming), then the EMIO interface input signals are enabled.

### MIO Pin Limitation

**Small Package Note:** The MIO pin restrictions based on device version are shown in the MIO table in section 2.5.4 MIO-at-a-Glance Table. Each SPI I/O interface is selected as a group.

Table 17-5: SPI MIO Pins

SPI Interface I/O	SPI Signals			Slave or Master Mode	Master Mode	
	Clock	MOSI	MISO	SS 0	SS 1	SS 2
Signal Type	IO	IO	IO	IO	O	O
Controller Default Input Value	0	0	0	1	~	~
SPI 0, choice 1	16	21	17	18	19	20
SPI 0, choice 2	28	33	29	30	31	32
SPI 0, choice 3	40	45	41	42	43	44
SPI 1, choice 1	12	10	11	13	14	15
SPI 1, choice 2	24	22	23	25	26	27
SPI 1, choice 3	36	34	35	37	38	39
SPI 1, choice 4	48	46	47	49	50	51

## EMIO Signals

The SPI I/O interface signals available on the EMIO interface are identified in [Table 17-6](#).

Table 17-6: SPI EMIO Signals

SPI Interface	Controller Default Input Value	EMIO Signals		
		Input Name (I)	Output Name (O)	3-state Name (O)
SPI 0 Clock	0	EMIOSPI0SCLKI	EMIOSPI0SCLKO	EMIOSPI0SCLKTN
SPI 0 MOSI	0	EMIOSPI0SI	EMIOSPI0MO	EMIOSPI0MOTN
SPI 0 MISO	0	EMIOSPI0MI	EMIOSPI0SO	EMIOSPI0STN
SPI 0 Slave Select 0	1	EMIOSPI0SSIN	EMIOSPI0SSON0	
SPI 0 Slave Select 1	~		EMIOSPI0SSON1	
SPI 0 Slave Select 2	~		EMIOSPI0SSON2	
SPI 0 SS 3-state	~			EMIOSPI0SSNTN
SPI 1 Clock	0	EMIOSPI1SCLKI	EMIOSPI1SCLKO	EMIOSPI1SCLKTN
SPI 1 MOSI	0	EMIOSPI1SI	EMIOSPI1MO	EMIOSPI1MOTN
SPI 1 MISO	0	EMIOSPI1MI	EMIOSPI1SO	EMIOSPI1STN
SPI 1 Slave Select 0	1	EMIOSPI1SSIN	EMIOSPI1SSON0	
SPI 1 Slave Select 1	~		EMIOSPI1SSON1	
SPI 1 Slave Select 2	~		EMIOSPI1SSON2	
SPI 1 SS 3-state	~			EMIOSPI1SSNTN

# CAN Controller

---

## 18.1 Introduction

This chapter describes the architecture and features of the CAN controllers and the functions of the various registers in the design. There are two nearly identical CAN controllers in the PS that are independently operable. Defining the CAN protocol is outside the scope of this document, and knowledge of the specifications is assumed.

### 18.1.1 Features

CAN Controller features are summarized as follows:

- Compatible with the *ISO 11898 -1*, *CAN 2.0A*, and *CAN 2.0B* standards
- Standard (11-bit identifier) and extended (29-bit identifier) frames
- Bit rates up to 1 Mb/s
- Transmit message FIFO (TxFIFO) with a depth of 64 messages
- Transmit prioritization through one high-priority transmit buffer (TxHPB)
- Watermark interrupts for TxFIFO and RxFIFO
- Automatic re-transmission on errors or arbitration loss in normal mode
- Receive message FIFO (RxFIFO) with a depth of 64 messages
- Four Rx acceptance filters with enables, masks and IDs
- Loopback and snoop modes for diagnostic applications
- Maskable error and status interrupts
- 16-Bit time stamping for receive messages
- Readable Rx/Tx error counters



## 18.1.2 System Viewpoint

The system viewpoint of the CAN controller is shown in Figure 18-1.

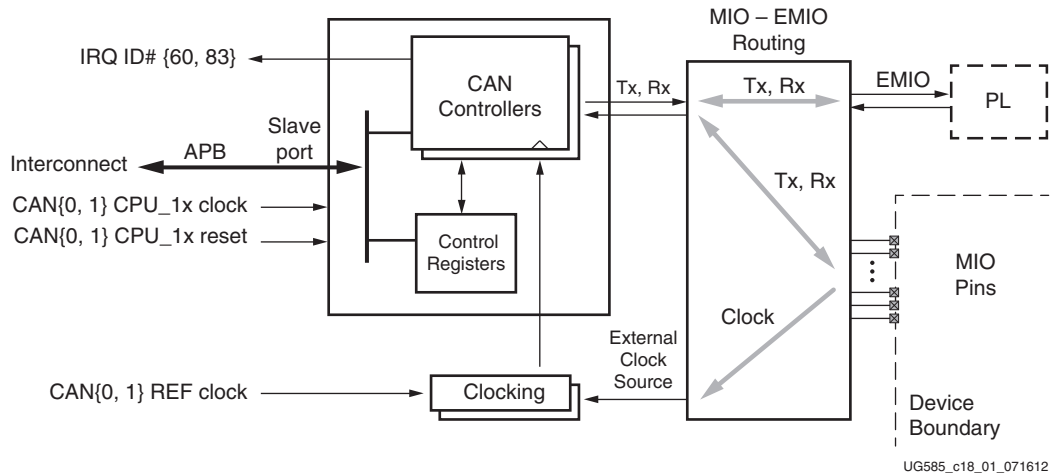


Figure 18-1: CAN Controller System Viewpoint

## 18.1.3 Block Diagram

The high-level architecture of the CAN core is shown in Figure 18-2. The sub-modules are described in subsequent sections.

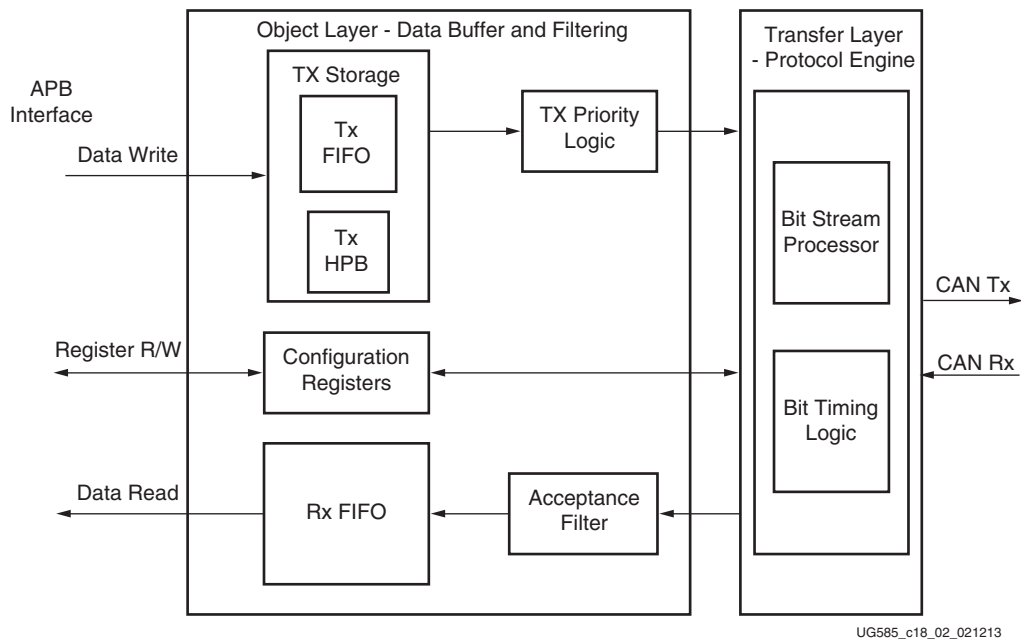


Figure 18-2: CAN Controller Block Diagram

## Configuration Registers

The CAN Controller Configuration register defines the configuration registers. This module allows for read and write access to the registers through the APB interface. An overview of the CAN controller registers are shown in section [18.3.8 Register Overview](#).

## Transmit and Receive Messages

Separate storage buffers exist for transmit (TxFIFO) and receive (RxFIFO) messages through a FIFO structure. Each buffer can store up to 64 messages. Once a message is written into the TxFIFO it takes a total delay of  $2 \times (\text{Tx Driver delay} + \text{Propagation delay} + \text{Rx Driver delay})$  to transmit over the CAN bus.

## Tx High Priority Buffer

Each controller also has a transfer high priority buffer (TxHPB) provides storage for one transmit message. Messages written on this buffer have maximum transmit priority. They are queued for transmission immediately after the current transmission is complete, preempting any message in the TxFIFO.

## Acceptance Filters

Acceptance filters sort incoming messages with the user-defined acceptance mask and ID registers to determine whether to store messages in the RxFIFO, or to acknowledge and discard them. Messages passed through acceptance filters are stored in the RxFIFO.

## 18.1.4 Notices

### Restrictions

There is a single PS clock generator for both controllers. When the internal clock is used, it will be of the same clock frequency, but the clock to each controller can be individually enabled using the slcr register, see section [25.6.4 CAN Clocks](#). Also, either or both controllers can be clocked from an external source via an MIO pin, see section [18.4.1 Clocks](#). It is recommended that a BRPR value of greater than 2 be used.

## 18.2 Functional Description

Each controller is independently configured and controlled. There are two CAN controllers (CAN<sub>x</sub>; where x = 0 or 1). The register name preface for the CAN registers is 'can' (e.g., can.MSR register).

### 18.2.1 Controller Modes

The CAN controller supports the following modes of operation:

- Configuration
- Normal
- Sleep
- Loop Back
- Snoop mode

#### Configuration Mode

The CAN controller enters the Configuration mode when any of the following actions are performed, regardless of the operation mode:

- Writing a 0 to the CEN bit in the SRR register.
- Writing a 1 to the SRST bit in the SRR register. The core enters the Configuration mode immediately following the software reset.
- Driving a 0 on the reset input. The core continues to be in reset as long as reset is 0. The core enters Configuration mode after reset is negated to 1.

#### Normal Mode

Normal mode transmits and receives messages on the Tx and Rx I/O signals as defined by the Bosch and IEEE specifications.

#### Sleep Mode

Sleep mode can be used to save a small amount of power during idle times. When in sleep mode, the controller can transition to normal mode or configuration mode. In sleep mode:

- When another node transmits a message, the controller receives the message and exits sleep mode.
- If there is a new Tx request then the hardware switches the controller to normal mode and the controller services the request(s).
- An interrupt can be generated when the controller enters sleep mode.
- An interrupt can be generated when the controller wakes up.

Sleep mode is exited by the hardware when there is CAN bus activity or a request in either TxFIFO or

TxHPB. When the controller exits sleep mode, `can.MSR[SLEEP]` is set to 0 by the hardware and an interrupt can be generated.

The CAN controller enters Sleep mode from Configuration mode when the LBACK bit in MSR is 0, the SLEEP bit in MSR is 1, and the CEN bit in SRR is 1. The CAN controller enters Sleep mode only when there are no pending transmission requests from either the TX FIFO or the TX High Priority Buffer.

The CAN controller enters Sleep mode from Normal mode only when the SLEEP bit is 1, the CAN bus is idle, and there are no pending transmission requests from either the TX FIFO or TX High Priority Buffer.

When another node transmits a message, the CAN controller receives the transmitted message and exits Sleep mode. When the controller is in Sleep mode, if there are new transmission requests from either the TX FIFO or the TX High Priority Buffer, these requests are serviced, and the CAN controller exits Sleep mode. Interrupts are generated when the CAN controller enters Sleep mode or wakes up from Sleep mode. From sleep mode, the CAN controller can enter either the Configuration or Normal modes.

### Loop Back Mode (Diagnostics)

Loop back mode is used for diagnostic purposes. When in loop back mode, the controller must only be programmed to enter configuration mode or issue reset. In loop back mode:

- The controller transmits a recessive bitstream onto the CAN\_TX bus signal.
- Tx messages are internally looped back to the Rx line and are acknowledged.
- Tx messages are not sent on the CAN\_TX bus signal.
- The controller receives all message that it transmits.
- The controller does not receive any messages transmitted by other CAN nodes.

### Snoop Mode (Diagnostics)

Snoop mode is used for diagnostic purposes. When in snoop mode, the controller must only be programmed to enter configuration mode or be held in reset. In snoop mode:

- The controller transmits a recessive bitstream onto the CAN bus.
- The controller does not participate in normal bus communication.
- The controller receives messages that are transmitted by other CAN nodes.
- Software can program acceptance filters to dynamically enable/disable and change criteria. Error counters are disabled and cleared to 0. Reads to error counter registers return 0.

### Mode Transitions

The supported mode transitions are shown in [Figure 18-3](#). The transitions are primarily controlled by the resets, the CEN bit, the MSR register settings, and a hardware wake-up mechanism.

To enter normal mode from configuration mode:

- Clear `can.MSR[LBACK, SNOOP, SLEEP] = 0`

- Set `can.SRR[CEN] = 1`

To enter sleep mode from normal mode (interrupt generated):

- Set `can.MSR[SLEEP] = 1`

Events that cause the controller to exit sleep mode (interrupt generated):

- Rx signal activity (hardware sets `can.MSR[SLEEP] = 0`)
- Tx FIFO or TxHPB activity (hardware sets `can.MSR[SLEEP] = 0`)
- Software writes 0 to `can.MSR[SLEEP]`

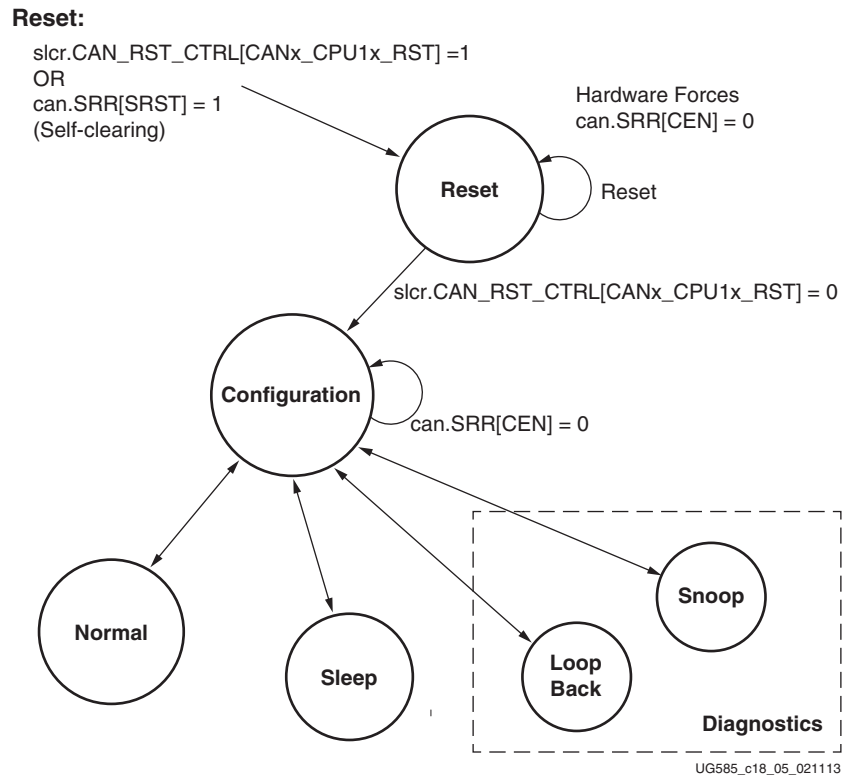


Figure 18-3: CAN Operating Mode Transitions

## Mode Settings

Table 18-1 defines the CAN controller modes of operation and corresponding control and status bits.

Table 18-1: CAN Controller Modes of Operation

CAN CPU_1x PS Reset (slcr)	Software Reset Register (can.SRR)		Mode Select Register (MSR) (Read/Write bits)			Status Register (SR) (Read Only bits)					Operational Mode
	SRST (CAN Reset)	CEN (CAN Enable)	LBACK	SLEEP	SNOOP	CONFIG	LBACK	SLEEP	NORMAL	SNOOP	
1	X	X	X	X	X	1	0	0	0	0	Reset
0	1	X	X	X	X	1	0	0	0	0	Reset

Table 18-1: CAN Controller Modes of Operation (Cont'd)

CAN CPU_1x PS Reset (slcr)	Software Reset Register (can.SRR)		Mode Select Register (MSR) (Read/Write bits)			Status Register (SR) (Read Only bits)					Operational Mode
	SRST (CAN Reset)	CEN (CAN Enable)	LBACK	SLEEP	SNOOP	CONFIG	LBACK	SLEEP	NORMAL	SNOOP	
0	0	0	X	X	X	1	0	0	0	0	Configuration
0	0	1	1	X	X	0	1	0	0	0	Loop back
0	0	1	0	1	0	0	0	1	0	0	Sleep
0	0	1	0	0	1	0	0	0	1	1	Snoop
0	0	1	0	0	0	0	0	0	1	0	Normal

## 18.2.2 Message Format

The same message format is used for Rx FIFO and Tx (FIFO and HPB). Each message includes four words (16 bytes). Software must read and write all four words regardless of the actual number of data bytes and valid fields in the message.

The message words, fields and structure are shown in Table 18-2. The details of each field are in Table 18-3.

Table 18-2: CAN Message Format

	31	30	29	28	27	26	25	24	23	22	21	20	19	18	17	16	15	14	13	12	11	10	9	8	7	6	5	4	3	2	1	0
Message Identifier [IDR]	ID[28:18]											STR/RTR	IDE	ID[17:0]											RTR							
Data Length Code [DLCR]	DLC[3:0]			Reserved											Time Stamp (Rx only, Reserved for Tx)																	
Data Word 1 [DW1R]	DB0[7:0]							DB1[7:0]							DB2[7:0]							DB3[7:0]										
Data Word 2 [DW2R]	DB4[7:0]							DB5[7:0]							DB6[7:0]							DB7[7:0]										

### Bit Field Details

#### Writes

If a bit field or data byte is not required, then write zeros. Software should write the default values shown in Table 18-3 for unused functions.

## Reads

Data starts at byte 0 and continues for the number of counts in DLC. Software should read both data words, but the only valid bytes are determined by DLC.

Table 18-3 provides bit descriptions for the identifier word bits, the DLC word bits, and data word 1 and data word 2 bits.

Table 18-3: CAN Message Word Register Bit Fields

Bits	Name	Default Value	Description
<b>Identifier Word</b>			
31:21	ID[28:18]	0	<b>Standard Message ID</b> The identifier portion for a standard frame is 11 bits. These bits indicate the standard frame ID. This field is valid for both standard and extended frames.
20	SRR/RTR	0	<b>Substitute Remote Transmission Request</b> This bit differentiates between data frames and remote frames. Valid only for standard frames. For extended frames this bit is 1. 1: Indicates that the message frame is a Remote Frame. 0: Indicates that the message frame is a Data Frame.
19	IDE	0	<b>Identifier Extension</b> This bit differentiates between frames using the Standard Identifier and those using the Extended Identifier. Valid for both Standard and Extended Frames. 1: Indicates the use of an extended message identifier. 0: Indicates the use of a standard message identifier.
18:1	ID[17:0]	0	<b>Extended Message ID</b> This field indicates the extended identifier. Valid only for extended frames. For standard frames, reads from this field return 0s. For Standard frames, writes to this field should be 0s.
0	RTR	0	<b>Remote Transmission Request</b> This bit differentiates between data frames and remote frames. Valid only for extended frames. 1: Indicates the message object is a remote frame. 0: Indicates the message object is a data frame. For standard frames, reads from this bit returns 0. For standard frames, writes to this bit should be 0.
<b>DLC Word</b>			
31-28	DLC	0	<b>Data Length Code</b> This is the data length portion of the control field of the CAN frame. This indicates the number valid data bytes (0 to 8) that are in the Data Word 1 and Data Word 2 registers.

Table 18-3: CAN Message Word Register Bit Fields (Cont'd)

Bits	Name	Default Value	Description
27-0	Reserved	0	Reads from this field return 0s. Writes to this field should be 0s.
<b>Data Word 1</b>			
DW1R[31:24]	DB0[7:0]	0	<b>Data Byte 0</b>
DW1R[23:16]	DB1[7:0]	0	<b>Data Byte 1</b>
DW1R[15:8]	DB2[7:0]	0	<b>Data Byte 2</b>
DW1R[7:0]	DB3[7:0]	0	<b>Data Byte 3</b>
<b>Data Word 2</b>			
DW2R[31:24]	DB4[7:0]	0	<b>Data Byte 4</b>
DW2R[23:16]	DB5[7:0]	0	<b>Data Byte 5</b>
DW2R[15:8]	D6[7:0]	0	<b>Data Byte 6</b>
DW2R[7:0]	DB7[7:0]	0	<b>Data Byte 7</b>

## 18.2.3 Message Buffering

### Rx Messages

The RxFIFO can store up to 64 Rx CAN messages that are received and optionally filtered. Rx messages that pass any of the acceptance filters are stored in the RxFIFO. When no acceptance filter has been selected, all received messages are stored in the RxFIFO. Software reads these messages as described in [18.3.7 Read Messages from RxFIFO](#).

A timestamp is added to each successfully stored Rx message. A free running 16-bit counter is clocked using the CAN bit time clock. The rules for time stamping an Rx message are:

- The counter rolls over. There is no status bit to indicate that the roll over condition occurred.
- The timestamp included when a Rx message is successfully collected. The sampling of the counter takes place at the last bit of EOF.
- The counter is cleared when CEN=0 or by software writing a 1 to the can.TCR register.

Software must read all four registers of an Rx message in the RxFIFO, regardless of how many data bytes are in the message. The first word is read using the RXFIFO\_ID register and contains the identifier of the received message (IDR). The second word is read using the RXFIFO\_DLC register and contains the 16-bit timestamp and data length code (DLC) field. The third and fourth words contain data word 1 (DW1R) and data word 2 (DW2R).

Writes to the RxFIFO registers are ignored. Read data from an empty RxFIFO are invalid and might generate an interrupt.

The messages in the RxFIFO are retained even if the CAN controller enters Bus off state or Configuration mode.



## Tx Messages

The controller has a configurable TxFIFO that software can use buffer up to 64 Tx CAN messages. The controller also has a high priority transmit buffer (Tx HPB), with storage for one message. When a higher priority message needs to be sent, software writes the message to the high priority transmit buffer when it is available. The message in the TxHPB has higher priority over messages in the TxFIFO.

When arbitration loss or errors occur during the transmission of a message, the controller tries to retransmit the message. No subsequent message, even a newer, higher priority message is transmitted until the original message is transmitted without errors or arbitration loss.

The controller transmits the message starting with bit 31 of the IDR word. After the identifier word is transmitted, the DLCR word is transmitted. This is followed by the data bytes in this order: DB0, DB1, ... DB7. The last bit in the data portion of the message is DB7, bit 0. See [Table 18-2, page 550](#).

The status bit, `can.ISR[TXOK]` is set = 1 after the controller successfully transmits a message from either the TxFIFO or TxHPB.

The messages in the TxFIFO and TxHPB are retained even if the CAN controller enters Bus off state or Configuration mode.

The message format is described in [18.2.2 Message Format](#).

## Reads from RxFIFO

All 16 bytes must be read from the RxFIFO to receive the complete message. The first word read (4 bytes) returns the identifier of the received message (IDR). The second read returns the 16-bit receive time stamp and data length code (DLC) field of the received message (DLCR). The third read returns data word 1 (DW1R), and the fourth read returns data word 2 (DW2R).

A free running 16-bit counter provides a time stamp relative to the time the message was successfully received.

All four words must be read for each message, even if the message contains less than eight data bytes. Write transactions to the RxFIFO are ignored. Reads from an empty RxFIFO return invalid data and generates an Rx Underflow interrupt.

## Rx and Tx Error Counters

When an Rx or Tx error occurs, the associated error counters in the protocol engine (see section [18.2.6 Protocol Engine](#)) are incremented. The two error counters are 8 bits wide and are read using the read-only `can.ECR` register, bit fields REC and TEC.

The Rx and Tx counters are reset when any the these situations occur:

- After a 1 is written to `can.SRR[SRST]` field = 1. This bit write is self-clearing.
- Anytime `can.SRR[CEN]` = 0 (configuration mode).
- When the controller enters Bus Off state.

## 18.2.4 Interrupts

Each CAN controller has a single interrupt signal to the GIC interrupt controller. CAN 0 connects to IRQ ID#60 and CAN 1 connects to ID #83. The source of an interrupt can be grouped into one of the following:

- TxFIFO and TxHPB
- RxFIFO
- Message passing and arbitration
- Sleep mode and bus off

Enable and disable interrupts using the can.IER register. Check the raw status of the interrupt using can.ISR. Clear interrupts by writing a 1 to can.ICR. Some interrupt sources have an additional method to clear the interrupt as shown in [Table 18-4](#).

### List of Interrupts

All of the CAN interrupts are sticky; that is, once the hardware sets them they stay set until cleared by software. CAN status and interrupts are identified in [Table 18-4](#).

Table 18-4: List of CAN Status and Interrupts

Name	Bit Number	Additional Method to Clear Interrupt	Usage
TxFIFO Watermark	13	none	Operational threshold.
TxFIFO Empty	14	none	Empty indicator.
TxFIFO Full	2	none	Full indicator.
TxHPB Full	3	none	This status indicates if the buffer is in-use and should not be written.
RxFIFO Watermark	12	none	Operational threshold.
RxFIFO Not Empty	7	none	One or more messages can be read.
RxFIFO overflow	6	Write 0 to can.SRR[CEN]	FIFO was full and message(s) likely lost.
RxFIFO underflow	5	none	Programming error, message read from RxFIFO when no messages were there.
Message Rx	4	Write 0 to can.SRR[CEN]	
Message Tx	1	Write 0 to can.SRR[CEN]	
Message Error	8	Write 0 to can.SRR[CEN]	Any of the five CAN errors in the Error Status register.
Arbitration Lost	0	none	
Enter Sleep Mode	10	Write 0 to can.SRR[CEN]	

Table 18-4: List of CAN Status and Interrupts

Name	Bit Number	Additional Method to Clear Interrupt	Usage
Exit Sleep Mode	11	Write 0 to can.SRR[CEN]	Controller can go to normal or configuration mode.
Bus Off	9	Write 0 to can.SRR[CEN]	

## RxFIFO and TxFIFO Interrupts

The FIFO watermark levels and all the FIFO interrupts are illustrated in Figure 18-4, CAN RxFIFO and TxFIFO Watermark Interrupts.

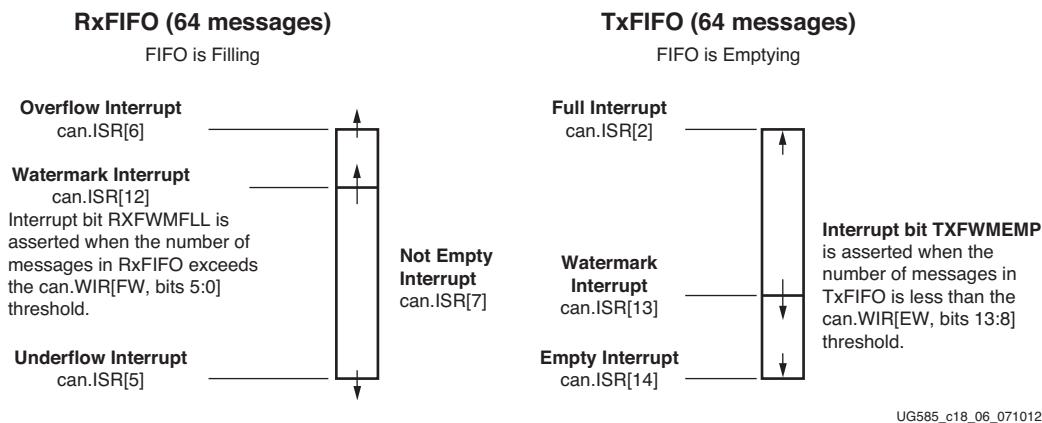


Figure 18-4: CAN RxFIFO and TxFIFO Watermark Interrupts

### Example: Program RxFIFO Watermark Interrupt (12)

The following steps can be used to setup and control the RxFIFO watermark interrupt. See Figure 18-4. The watermark status and control interrupts are described in Protocol Engine, page 559.

1. **Disable RxFIFO watermark interrupt.** Write a 0 to can.IER[12].
2. **Program RxFIFO full watermark level.** Write to can.WIR[FW].
3. **Clear RxFIFO watermark interrupt.** Write a 1 to can.ICR[12].
4. **Read RxFIFO watermark status.** Read can.ISR[12].
5. **Enable RxFIFO watermark interrupt.** Write a 1 to can.IER[12].

### Example: Program TxFIFO Watermark Interrupt (13)

The following steps can be used to setup and control the TxFIFO watermark interrupt. See Figure 18-4. The watermark status and control interrupts are described in Protocol Engine, page 559.

1. **Disable TxFIFO watermark interrupt.** Write a 0 to can.IER[13].
2. **Program TxFIFO empty watermark level.** Write to can.WIR[EW].

3. **Clear TxFIFO watermark interrupt.** Write a 1 to can.ICR[13].
4. **Read TxFIFO watermark status.** Read can.ISR[13].
5. **Enable TxFIFO watermark interrupt.** Write a 1 to can.IER[13].

### Example: Program TxFIFO Empty Interrupt (14)

The following steps can be used to control the TxFIFO empty interrupt:

1. **Disable TxFIFO empty interrupt.** Write a 1 to can.IER[14].
2. **Clear TxFIFO empty interrupt.** Write a 1 to can.ICR[14].
3. **Enable TxFIFO empty interrupt.** Write a 1 to can.IER[14].
4. **Read TxFIFO empty status.** Read can.ISR[14]. It indicates the status whether TxFIFO is empty or not.

## 18.2.5 Rx Message Filtering

To filter Rx messages, configure and enable up to four acceptance filters with acceptance mask and ID registers to determine whether to store messages in the RxFIFO, or to acknowledge and discard them.

Acceptance filtering is performed in the following sequence:

1. The incoming identifier is masked with the bits in the Acceptance Filter Mask register.
2. The Acceptance Filter ID register is also masked with the bits in the Acceptance Filter Mask register.
3. Both resulting values are compared.
4. If both these values are equal, then the message is stored in the RxFIFO.
5. Acceptance filtering is processed by each of the defined filters. If the incoming identifier passes through any acceptance filter, then the message is stored in the RxFIFO.

### Acceptance Filter Enable

The Acceptance Filter register (AFR) defines which acceptance filters to use. It includes four enable bits that correspond to the four acceptance filters. Each Acceptance Filter ID register (AFIR) and Acceptance Filter Mask register (AFMR) pair is associated with a use acceptance filter (UAF) bit.

When the UAF bit is 1, the corresponding acceptance filter pair is used for acceptance filtering. When the UAF bit is 0, the corresponding acceptance filter pair is not used for acceptance filtering.

To modify an acceptance filter pair in normal mode, the corresponding UAF bit in this register must first be set to 0. After the acceptance filter is modified, the corresponding UAF bit must be set to 1 for the filter to be enabled.

The UAF bits in the can.AFR register enable the Rx acceptance filters:

- If all UAF bits are set to 0, then all received messages are stored in the RxFIFO.
- If the UAF bits are changed from a 1 to 0 during reception of a CAN message, the message will not be stored in the RxFIFO.

If any of the enabled filters (up to four) satisfy this equation, then the Rx message is stored in the RxFIFO:

If (AFMR & Message\_ID) == (AFMR & AFIR) then Capture Message

Each acceptance filter is independently enabled. The filters are selected by the can.AFR register.

- Set can.AFR[UAF4] = 1 to enable AFMR4 and AFID4.
- Set can.AFR[UAF3] = 1 to enable AFMR3 and AFID3.
- Set can.AFR[UAF2] = 1 to enable AFMR2 and AFID2.
- Set can.AFR[UAF1] = 1 to enable AFMR1 and AFID1.

If all can.AFR[UAFx] bits are set = 0, then all received messages are stored in the RxFIFO. The UAF bits are sampled by the hardware at the start of an incoming message.

## Acceptance Filter Mask

The Acceptance Filter Mask registers (AFMR) contain mask bits used for acceptance filtering. The incoming message identifier portion of a message frame is compared with the message identifier stored in the Acceptance Filter ID register. The mask bits define which identifier bits stored in the Acceptance Filter ID register are compared to the incoming message identifier.

There are four AFMRs. These registers are stored in a memory. Reads from AFMRs return 'X's if the memory is uninitialized. Asserting a software reset or hardware reset does not clear register contents. These registers can be read from and written to. These registers are written to only when the corresponding UAF bits in the can.AFR register are 0 and the ACFBSY bit in the can.SR register is 0.

The following conditions govern AFMRs:

**Extended Frames** All bit fields (AMID [28:18], AMSRR, AMIDE, AMID [17:0] and AMRTR) need to be defined.

**Standard Frames** Only AMID [28:18], AMSRR and AMIDE need to be defined. AMID [17:0] and AMRTR should be written as 0.

## Acceptance Filter Identifier

The Acceptance Filter ID registers (AFIR) contain Identifier bits, which are used for acceptance filtering. There are four Acceptance Filter ID registers.

These registers can be read from and written to. These registers should be written to only when the corresponding UAF bits in the SR are 0 and the ACFBSY bit in the SR is 0.

The following conditions govern the use of the AFIRs:

**Extended Frames** All the bit fields (AIID [28..18], AISRR, AIIDE, AIID [17:0] and AIRTR) must be defined.

**Standard Frames** Only AIID [28:18], AISRR and AIIDE need to be defined. AIID [17:0] and AIRTR should be written with 0.

The user must ensure proper programming of the IDE bit for standard and extended frames. If the user sets the IDE bit in AMIR to 0, then it is considered to be a standard frame ID check only.

### Example: Program Acceptance Filter

Each acceptance filter has its own mask, can.AFMR{1,2,3,4}, and ID register, can.AFIR{1,2,3,4}.

1. **Disable acceptance filters.** Write 0 to the can.AFR register.
2. **Wait for filter to be not busy.** Poll on can.SR[ACFBSY] for 0.
3. **Write a filter mask and ID.** Write to a pair of AFMR and AFIR registers (refer to the example below).
4. **Write additional filter masks and IDs.** Go to step 2.
5. **Enable one or more Filters.** To enable all filters, write 0x0000\_000F to the can.AFR register.

### Program the AFMR and AFIR Registers

The valid fields for sending Tx messages to the controller are summarized in Table 18-5. These fields are described in section 18.2.2 Message Format.

Table 18-5: CAN Message Identifier Register (IDR) Fields

	ID[28:18]	STR/RTR	IDE	ID[17:0]	RTR
<b>Standard Frame</b>	Valid	Valid	Valid	Ignored	Ignored
<b>Extended Frame</b>	Valid	Valid	Valid	Valid	Valid

In the AFMR mask register, enable (unmask) the compare functions for each field for the incoming Rx CAN message by writing a 1 to the bit field. In the AFIR register, write the values that are to be compared to the in-coming Tx CAN message.

### Example: Program the AFMR and AFIR for Standard Frames

This example sets up the acceptance filter for standard frames. The frame ID number is shown to be 0x5DEF, but could be set to desired value for the application.

1. **Configure filter mask for standard frames.** Write 0xFFF8\_0000 to the can.AFMR register:
  - a. Enable the compare for the standard message ID, [AMIDE] = 1.
  - b. Compare all bits in the standard message ID, [AMIDH] = 0x7FF.
  - c. Enable the compare for substitute remote transmission request, [AMSRR] = 1.
  - d. Zero-out the extended frame bits, [AMIDL, AMRTR] = 0.
2. **Configure filter ID for standard frames.** Write 0xABC0\_0000 to the can.AFIR register:
  - a. Select the standard frame message mode, [AIIDE] = 0.
  - b. Program the standard message ID, [AIIDH] = 0x55E.
  - c. Disable substitute remote transmission request, [AISRR] = 0.
  - d. Zero-out extended frame bits, [AIIDL, AIRTR] = 0.

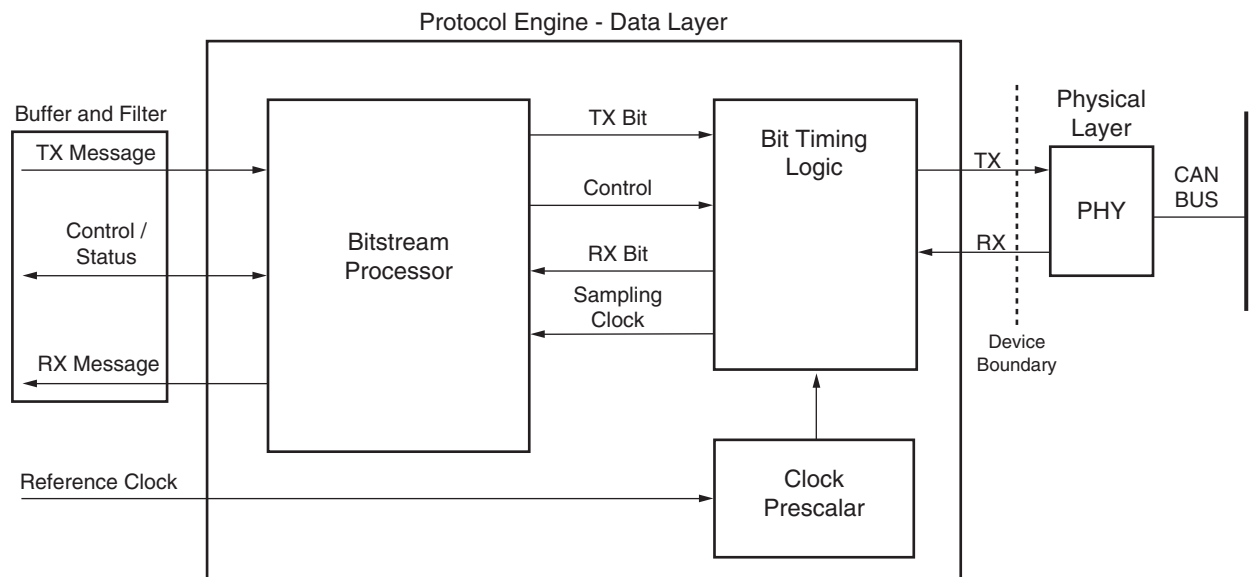
### Example: Program the AFMR and AFIR for Extended Frames

This example setups up the acceptance filter for extended frames. The Frame ID number is shown to be 0x5DF, but could be set to desired value for the application.

1. **Configure filter mask for extended frames.** Write 0xFFFF\_FFFF to the can.AFMR register:
  - a. Enable the substitute remote transmission request mask for frame, [AMSRR] = 1.
  - b. Compare all bits in the compare for the standard message ID, [AMIDH] = 0x7FF.
  - c. Enable the extended frame, [AIIDE] = 1.
  - d. Extended ID, [AIIDL] = 0x3FFFF
  - e. Remote transmission request bit for extended frame, [AIRTR] = 1.
2. **Configure filter ID for extended frames.** Write 0xABDF\_9BDE to the can.AFIR register:
  - a. Standard ID, [AIIDH] = 0x55E.
  - b. Remote transmission request bit for standard frame, [AISRR] = 1.
  - c. Select standard/extended frame, [AIIDE] = 1.
  - d. Extended ID, [AIIDL] = 3CDEF.
  - e. Remote transmission request bit for extended frame, [AIRTR] = 0

## 18.2.6 Protocol Engine

The CAN protocol engine consists primarily of the bit timing logic (BTL) and the bitstream processor (BSP) modules. Figure 18-5 shows a block diagram of the CAN protocol engine.



UG585\_c18\_03\_101012

Figure 18-5: CAN Protocol Engine

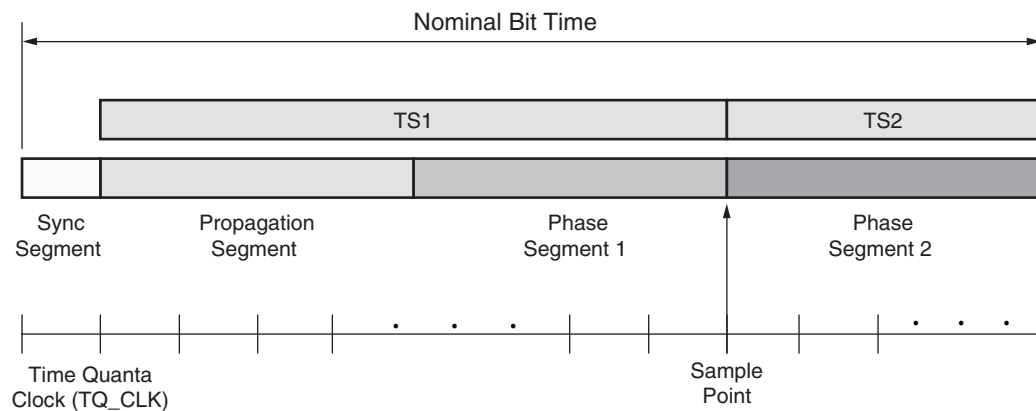
## Rx/Tx Bit Timing Logic

The primary functions of the bit timing logic (BTL) module include:

- Generate the Rx sampling clock for the bitstream processor (BSP)
- Synchronize the CAN controller to CAN traffic on the bus
- Sample the bus and extracting the data stream from the bus during reception
- Insert the transmit bit stream onto the bus during transmission

The nominal length of the bit time clock period is based on the CAN\_REF\_CLK clock frequency, the baud rate generator divider (can.BRPR register) and the segment lengths (can.BTR register).

The bit timing logic module manages the re-synchronization function for CAN using the sync width parameter in the can.BTR[SJW] bit field. The CAN bit timing is shown in [Figure 18-6](#).



UG585\_c18\_04\_073012

Figure 18-6: CAN Bit Time

Sync Segment count always equals one time quanta period.

The TS 1 and TS 2 period counts are programmable using the can.BTR[TS1, TS2] bit fields. These registers are written when the controller is in Configuration mode. The width of the propagation segment (PROP\_SEG) must be less than the actual propagation delay.

### Time Quanta Clock

The time quanta clock (TQ\_CLK) is derived from the controller reference clock (CAN\_REF\_CLK) divided by the baud rate prescaler (BRP).

$$tTQ\_CLK = tCAN\_REF\_CLK * (can.BRPR[BRP] + 1)$$

$$freqTQ\_CLK = freqCAN\_REF\_CLK / (can.BRPR[BRP] + 1)$$

$$tSYNC\_SEGMENT = 1 * tTQ\_CLK$$

$$tTIME\_SEGMENT1 = tTQ\_CLK * (can.BPR[TS1] + 1)$$

$$tTIME\_SEGMENT2 = tTQ\_CLK * (can.BPR[TS2] + 1)$$



$$t_{\text{BIT\_RATE}} = t_{\text{SYNC\_SEGMENT}} + t_{\text{TIME\_SEGMENT1}} + t_{\text{TIME\_SEGMENT2}}$$

$$\text{freq}_{\text{BIT\_RATE}} = \text{freq}_{\text{CAN\_REF\_CLK}} / ((\text{can.BRPR}[\text{BRP}] + 1) * (2 + \text{can.BTR}[\text{TS1}] + \text{can.BTR}[\text{TS2}])))$$



**TIP:** A given bit-rate can be achieved with several bit-time configurations, but values should be selected after careful consideration of oscillator tolerances and CAN propagation delays. For more information on CAN bit-time register settings, refer to the CAN 2.0A, CAN 2.0B, and ISO 11898-1 specifications.

## Bitstream Processor

The bitstream processor (BSP) module performs several functions while sending and receiving CAN messages. The BSP obtains a message for transmission from either the TxFIFO or the TxHPB and performs the following functions before passing the bitstream to the BTL.

- Serializing the message
- Inserting stuff bits, CRC bits, and other protocol defined fields during transmission

During transmission the BSP simultaneously monitors Rx data and performs bus arbitration tasks. It then transmits the complete frame when arbitration is won, and retrying when arbitration is lost.

During reception the BSP removes stuff bits, CRC bits, and other protocol fields from the received bitstream. The BSP state machine also analyses bus traffic during transmission and reception for Form, CRC, ACK, Stuff, and Bit violations. The state machine then performs error signaling and error confinement tasks. The CAN controller does not voluntarily generate overload frames but does respond to overload flags detected on the bus.

This module determines the error state of the CAN controller: error active, error passive or bus-off. When Tx or Rx errors are observed on the bus, the BSP updates the transmit and receive error counters according to the rules defined in the CAN 2.0 A, CAN 2.0 B and ISO 11898-1 standards. Based on the values of these counters, the error state of the CAN controller is updated by the BSP.

### 18.2.7 CAN0-to-CAN1 Connection

The I/O signals of the two CAN controllers in the PS can be connected together. In this mode, the RX signal of one CAN controller is connected to the TX signal of the other controller. These connections are enabled using the slcr.MIO\_LOOPBACK [CAN0\_LOOP\_CAN1] bit.

## 18.3 Programming Guide

### 18.3.1 Overview

The controller has several operating modes and different ways to receive and transmit messages. The low-level functions were described in [18.2 Functional Description](#). The system-level operations are described in section [18.4 System Functions](#).

All the controller registers are listed in [Table 18-6](#) and are described in detail in [Appendix B, Register Details](#).

## 18.3.2 Configuration Mode State

The CAN controller enters configuration mode, irrespective of the operation mode, when any of these actions are performed:

- Writing a 0 to the CEN bit in the SRR register.
- Writing a 1 to the SRST bit in the SRR register. The controller enters Configuration mode immediately following the software reset.
- Driving a 1 on the Reset input controlled via SLCR. The controller continues to be in reset as long as Reset is 1. The controller enters configuration mode after Reset is negated to 0.

In configuration mode the following apply:

- The CAN controller loses synchronization with the CAN bus and drives a constant recessive bit on the bus line.
- The Error Count register (ECR) is reset.
- The Error Status register (ESR) is reset.
- The Bit Timing register (BTR) and Baud Rate Prescaler register (BRPR) can be modified.
- The CAN controller does not receive any new messages.
- The CAN controller does not transmit any messages. Messages in the TxFIFO and the TxHPB are appended. These packets are sent when normal operation is resumed.
- Reads from the RxFIFO can be performed.
- Writes to the TxFIFO and TxHPB can be performed (provided the SNOOP bit is not set).
- Interrupt Status register bits ARBLST, TXOK, RXOK, RXOFLW, ERROR, BSOFF, SLP, and WKUP are cleared.
- Interrupt Status register bits RXNEMP and RXUFLW can be set due to read operations to the RxFIFO.
- Interrupt Status register bits TXBFLL and TXFLL, and Status register bits TXBFLL and TXFLL can be set due to write operations to the TX HPB and TX FIFO, respectively.
- Interrupts are generated if the corresponding bits in the Interrupt Enable register (IER) are 1.
- All Configuration registers are accessible.

When in configuration mode, the CAN controller stays in this mode until the CEN bit in the SRR register is set to 1. After the CEN bit is set to 1 the CAN controller waits for a sequence of 11 recessive bits before exiting configuration mode.

The CAN controller enters normal, loop back, snoop, or sleep modes from configuration mode, depending on the LBACK, SNOOP, and SLEEP bits in the MSR register.

### 18.3.3 Start-up Controller

The controller can operate in Normal, Sleep, Snoop and Loop Back modes. Refer to [Figure 18-3](#) for supported transitions. On start-up the controller clocks and configuration bits are programmed. Then the operating mode is selected and enabled.

#### Example: Start-up Sequence

1. **Configure clocks.** Refer to section [18.4.1 Clocks](#).
2. **Configure Tx/Rx signals.** Refer to section [18.5.1 MIO Programming](#).
3. Wait for configuration mode. Read `can.SR[CONFIG]` until it equals 1.
4. **Reset the controller.** The controller comes up in Configuration mode. Refer to section [18.4.2 Resets](#).
5. **Program the bit sampling clock.** Refer to section [Rx/Tx Bit Timing Logic](#).
6. **Program the interrupts, as needed.** Refer to section [18.2.4 Interrupts](#).
7. **Program the acceptance filters.** Refer to section [18.2.5 Rx Message Filtering](#).
8. **Select operating mode.** Normal, Sleep, Snoop or LoopBack. Refer to section [18.3.4 Change Operating Mode](#).
9. **Enable the controller.** Write a 1 to `can.SRR[CEN]`.

### 18.3.4 Change Operating Mode

#### Example: Normal to Sleep Mode

Sleep mode is entered from Normal Mode when the following conditions are met:

1. **Select Sleep Mode.** Write 1 to `can.MSR[SLEEP]`.
2. **Wait for CAN bus to go idle.**
3. **Wait for all TxFIFO and TxHPB messages to be transmitted.**

**Note:** In normal mode, `can.MSR[LBACK] = 0` and `can.SSR[CEN] = 1`. Also, `can.MSR[SNOOP] = don't care`.

#### Example: Configuration to Sleep Mode

Sleep mode is entered from Configuration Mode when the following conditions are met:

1. **Select Sleep Mode.** Write 1 to `can.MSR[SLEEP]` and write 0 to `can.MSR[LBACK]`.
2. **Enable the controller.** Write 1 to `can.SSR[CEN]`.
3. **Wait for TxFIFO or TxHPB to empty.**

**Note:** In configuration mode, `can.MSR[SNOOP] = don't care`.

Sleep mode is exited when I/O bus activity is detected or when software writes a message to either the TxFIFO or the TxHPB. When the controller exits sleep mode, `can.MSR[SLEEP]` is set to 0 by the hardware and an interrupt can be generated.

## 18.3.5 Write Messages to TxFIFO

With either option, `can.SR[TXFLL]` can be polled before writing a message.

All messages written to the TxFIFO should follow the format defined in Message Structure.

### Example: Write Message to TxFIFO Using Polling Method

1. **Poll the TxFIFO status.** Read `can.SR[TXFLL]` for 0 and `can.SR[TXFEMP]` for 1 and then message can be written into the TxFIFO.
2. **Write message to TxFIFO.** Write to all four data registers (`can.TXFIFO_ID`, `can.TXFIFO_DLC`, `can.TXFIFO_DATA1`, and `can.TXFIFO_DATA2`).

### Example: Write Message to TxFIFO Using Interrupt Method

In interrupt mode, writes can continue until `can.ISR[TXFLL]` generates an interrupt.

Messages can be continuously written to the TxFIFO until the TxFIFO is full. When the TxFIFO is full the `can.ISR[TXFLL]` and `can.SR[TXFLL]` are set to 1. When the TxFIFO is empty, `can.ISR[TXFEMP]` is set to 1.

## 18.3.6 Write Messages to TxHPB

All messages written to the TxHPB use the polling method. The format should follow section [18.2.2 Message Format](#).

### Example: Write Message to TxHPB

1. **Poll the TxHPB status.** Read `can.SR[TXBFLL]` until it equals 0 and then write the message into the TxHPB.
2. **Write message to TxHPB.** Write to all four data registers (`can.TXHPB_ID`, `can.TXHPB_DLC`, `can.TXHPB_DATA1`, and `can.TXHPB_DATA2`).

## 18.3.7 Read Messages from RxFIFO

Whenever a new message is received and put into the RxFIFO, the `can.ISR[RXNEMP]` and `can.ISR[RXOK]` bits are set to 1. If the RxFIFO is empty when the message is read, then the `can.ISR[RXUFLW]` is also set to 1.

### Example: Read Message from RxFIFO Using Polling Method

1. **Poll the RxFIFO status.** Read `can.ISR[RXOK]` or `can.ISR[RXNEMP]` register until a message is received. Proceed to step 2 when a bit is set.
2. **Read message from the RxFIFO.** Read all four of the registers (`can.RXFIFO_ID`, `can.RXFIFO_DLC`, `can.RXFIFO_DATA1`, `can.RXFIFO_DATA2`).
3. **Determine if more messages are in the RxFIFO.** Read `can.ISR[RXNEMP]`.

### Example: Read Message from RxFIFO Using Interrupt Method

The can.ISR[RXOK] and/or can.ISR[RXNEMP] bit fields can generate the interrupt.

1. **Program RxFIFO watermark level interrupt.** Write to can.WIR[FW] to set watermark can.ISR[RXFWMFLL] interrupt.
2. **Proceed to step 3 when an interrupt is received.**
3. **Wait until a message is received.** Read can.ISR[RXOK] or can.ISR[RXFWMFLL].
4. **Read message from the RxFIFO.** Read all four of the registers (can.RXFIFO\_ID, can.RXFIFO\_DLC, can.RXFIFO\_DATA1, can.RXFIFO\_DATA2).
5. **Determine if RxFIFO is not empty.** Read can.ISR[RXNEMP].
6. **Repeat until the RxFIFO is empty.**
7. **Clear the interrupt.**

## 18.3.8 Register Overview

The control and status registers are listed in see Table 18-6. Each of these registers is 32-bits wide. Any read operations to reserved bits or bits that are not used return 0. A 0 should be written to reserved bits and bit fields not used. Writes to reserved locations are ignored.

Table 18-6: CAN Register Overview

Function	Register Names (CAN registers, except where noted)	Overview
Configuration and Control	SRR MSR BRPR BTR ECR TCR	Enable/disable and reset the controller. Setup baud rate and timing. Clear timestamp counter.
Interrupt Processing	ISR IER ICR WIR	Enable/disable the interrupt detection, mark interrupt sent to the interrupt controller, read raw interrupt status.
Status	ECR ESR SR	Inform about the status of the controller.
Transmit FIFO	TXFIFO_ID TXFIFO_DLC TXFIFO_DATA1 TXFIFO_DATA2	Write message to be transmitted.
Transmit High Priority Buffer	TXHPB_ID TXHPB_DLC TXHPB_DATA1 TXHPB_DATA2	Store one high priority transmit message.

Table 18-6: CAN Register Overview (Cont'd)

Function	Register Names (CAN registers, except where noted)	Overview
Receive FIFO	RXFIFO_ID RXFIFO_DLC RXFIFO_DATA1 RXFIFO_DATA2	Read received message.
Acceptance Filter	AFR AFMR[4:1] AFIR[4:1]	Configure and control the four acceptance filters.
System level	slcr.CAN_CLK_CTRL slcr.CAN_MIOCLK_CTRL slcr.CAN_RST_CTRL	A controller reset and clock control.

## 18.4 System Functions

### 18.4.1 Clocks

The controller and I/O interface are driven by the reference clock (CANx\_REF\_CLK). The controller's interconnect also requires an APB interface clock. The APB interconnect clock (CPU\_1x) always comes from the PS clock subsystem.

The reference clock normally comes from the PS clock subsystem, but it can alternatively be driven by an external clock source via any available MIO pin. The reference clock is used by the protocol engine, the baud rate generator, and the datapath. The controllers share the same reference clock frequency from the PS clock subsystem. If the reference clock is from an MIO pin, then the frequencies can be different.

#### CPU\_1x Clock

Refer to [Chapter 25, Clocks](#), for general clock programming information. The CPU\_1x clock runs asynchronous to the CAN reference clock.

#### Reference Clock

CAN\_REF\_CLK is normally sourced from the PS clock subsystem, but it can alternatively be driven by an external clock source via an MIO pin. Internally, the PS has three PLLs and two clock divider pairs. The clock source choice, PS clock subsystem or external MIO pin, is controlled by the CAN\_MIOCLK\_CTRL register.

The CAN clocks in the PS are controlled by slcr.CAN\_CLK\_CTRL. The generation of the CAN reference clock by the PS is described in section [25.6.4 CAN Clocks](#). There is one clock generator in the PS for both CAN controllers. If an MIO pins is used instead, the selected MIO\_PIN Mux register is programmed as an input.

### Example: Configure and Route Internal Clock for Reference Clock

Configure the clock and disable MIO path. Assume the PLL is operating at 1000 MHz and the required CAN reference clock is 24 MHz (23.8095 MHz).

1. **Program the clock subsystem.** Write `0x0030_0E03` to the `slcr.CAN_CLK_CTRL` register:
  - a. Enable both CAN reference clocks.
  - b. Divide the I/O PLL clock by 42 (`0x02A`): `DIVISOR0= 0x0E` and `DIVISOR1=0x03` used by both controllers.
2. **Disable the MIO path.** Write `0x0000_0000` to the `slcr.CAN_MIOCLK_CTRL` register to select the clock from the internal clock subsystem/PLL for both controllers.

### Example: Source Controller Clock from MIO Pin

This example uses MIO pin 45 as a controller clock reference.

1. **Configure MIO device pin.** Write `0x0000_1200` to the `slcr.MIO_PIN_45` register:
  - a. Route MIO pin 45 to the GPIO controller (this is overridden in the next step).
  - b. Disable the output driver (`TRI_ENABLE = 1`).
  - c. LVCMOS18 (refer to the register definition for other voltage options).
  - d. Slow CMOS edge (benign setting).
  - e. Enable internal pull-up resistor.
  - f. Disable HSTL receiver.
2. **Enable MIO path.** Write to the `slcr.CAN_MIOCLK_CTRL` register to override the MIO PIN register setting that was written in the previous step.

Write a 1 to `slcr.CAN_MIOCLK_CTRL[CANx__REF_SEL]` and write the desired MIO pin number into the `slcr.CAN_MIOCLK_CTRL[CANx_MUX]` bit field to match the pin in the previous step.

## 18.4.2 Resets

The effects for each reset type are summarized in [Table 18-7](#).

Table 18-7: CAN Reset Effects

Name	APB Interface	Rx and Tx FIFOs	Protocol Engine	Control and Status Registers	Acceptance Filters (ID and Mask)
<b>Local CAN Reset</b> <code>can.SRR[SRST]</code>	Yes	Yes	Yes	Yes	No
<b>PS Reset Subsystem</b> <code>slcr.CAN_RST_CTRL[CANx_CPU1X_RST]</code>	Yes	Yes	Yes	Yes	No

### Example: Reset using Local CAN Reset

1. **Write to the Local CAN reset register.** Write a 1 to `can.SRR[SRST]` bit field. This bit is self-clearing.

### Example: Reset using Reset Subsystem

1. **Write to the slcr reset register for CAN.** Write a 1 then a 0 to the slcr.CAN\_RST\_CTRL[CANx\_CPU1X\_RST] bit field.

---

## 18.5 I/O Interface

### 18.5.1 MIO Programming

Each set of controller Rx/Tx signals is connected to either MIO pins or the EMIO interface, refer to [Table 18-8, page 569](#). The general routing concepts and MIO I/O buffer configurations are explained in section [2.4 PS-PL Voltage Level Shifter Enables](#). The MIO routing to use an external reference clock (CAN\_REF\_CLK) is described in section [18.4.1 Clocks](#).

#### Example: Configure Rx/Tx Signals to MIO Pins

1. **Configure MIO pin 46 for the Rx signal.** Write 0x0000\_1221 to the slcr.MIO\_PIN\_46 register:
  - a. Route CAN0 Rx signal to pin 46.
  - b. Output disabled (set TRI\_ENABLE = 1).
  - c. LVCMOS18 (refer to the register definition for other voltage options).
  - d. Slow CMOS edge (benign setting).
  - e. Enable internal pull-up resistor.
  - f. Disable HSTL receiver.
2. **Configure MIO pin 47 for the Tx signal.** Write 0x0000\_1220 to the slcr.MIO\_PIN\_47 register:
  - a. Route CAN0 Tx signal to pin 47.
  - b. 3-state controlled by CAN (TRI\_ENABLE = 0).
  - c. LVCMOS18 (refer to the register definition for other voltage options).
  - d. Slow CMOS drive edge.
  - e. Enable internal pull-up resistor.
  - f. Disable HSTL receiver.

### 18.5.2 MIO-EMIO Signals

The CAN I/O Signals are identified in [Table 18-8](#). Refer to section [2.4 PS-PL Voltage Level Shifter Enables](#) for routing details. The MIO pins and any restrictions based on device versions are shown in the MIO table in section [2.5.4 MIO-at-a-Glance Table](#).



Table 18-8: CAN MIO Pins and EMIO Signals

CAN Interface	Default Controller Input Value	MIO Pins		EMIO Signals	
		Numbers	I/O	Name	I/O
CAN 0 Rx	0	10, 14, 18, 22, 26, 30, 34, 38, 42, 46, 50	I	EMIOCAN0PHYRX	I
CAN 0 Tx	~	11, 15, 19, 23, 27, 31, 35, 39, 43, 47, 51	O	EMIOCAN0PHYTX	O
CAN 0 CLK	~	Any MIO pin	I	~	~
CAN 1 Rx	0	9, 13, 17, 21, 25, 29, 33, 37, 41, 45, 49, 53	I	EMIOCAN1PHYRX	I
CAN 1 Tx	~	8, 12, 16, 20, 24, 28, 32, 36, 40, 44, 48, 52	O	EMIOCAN1PHYTX	O
CAN 1 CLK	~	Any MIO pin	I	~	~

# UART Controller

---

## 19.1 Introduction

The UART controller is a full-duplex asynchronous receiver and transmitter that supports a wide range of programmable baud rates and I/O signal formats. The controller can accommodate automatic parity generation and multi-master detection mode.

The UART operations are controlled by the configuration and mode registers. The state of the FIFOs, modem signals and other controller functions are read using the status, interrupt status and modem status registers.

The controller is structured with separate Rx and Tx data paths. Each path includes a 64-byte FIFO. The controller serializes and de-serializes data in the Tx and Rx FIFOs and includes a mode switch to support various loopback configurations for the Rx and Tx signals. The FIFO interrupt status bits support a polling or interrupt driven handler. Software reads and writes data bytes using the Rx and Tx data port registers.

When the UART is being used in a modem-like application, the modem control module detects and generates the modem handshake signals and also controls the receiver and transmitter paths according to the handshaking protocol.

### 19.1.1 Features

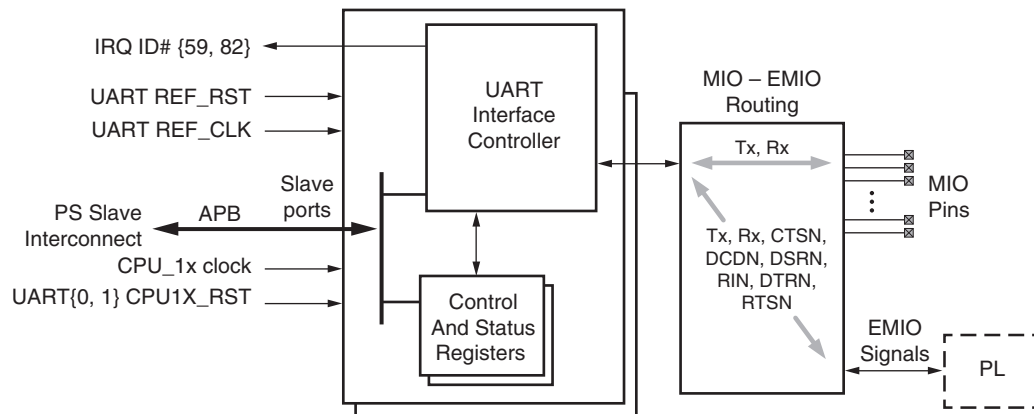
Each UART controller (UART 0 and UART 1) has the following features:

- Programmable baud rate generator
- 64-byte receive and transmit FIFOs
- Programmable protocol:
  - 6, 7, or 8 data bits
  - 1, 1.5, or 2 stop bits
  - Odd, even, space, mark, or no parity
- Parity, framing and overrun error detection
- Line-break generation and detection
- Interrupts generation
- Rx and Tx modes: Normal/echo and diagnostic loopbacks using the mode switch

- Loop UART 0 with UART 1 option
- Modem control signals: CTS, RTS, DSR, DTR, RI and DCD are available only on the EMIO interface

## 19.1.2 System Viewpoint

The system viewpoint diagram for the UART controllers is shown in [Figure 19-1](#).



UG585\_c19\_01\_010112

Figure 19-1: UART System Viewpoint

The slcr register set (refer to section [4.3 SLCR Registers](#)) includes control bits for the UART clocks, resets and MIO-EMIO signal mapping. Software accesses the UART controller registers using the APB 32-bit slave interface attached to the PS AXI interconnect. The IRQ from each controller is connected to the PS interrupt controller and routed to the PL.

## 19.1.3 Notices

### Reference Clock Operating Restrictions

There is a single PS clock generator for both UART controllers. The reference clocks (UART\_Ref\_Clk) going to the baud rate generator of each UART controller are of the same clock frequency, but are individually enabled, refer to section [25.6.3 SDIO, SMC, SPI, Quad-SPI and UART Clocks](#). The controllers are always clocked by the internal, PS clock generator.

**Note:** There are no frequency restrictions in the relationship between the CPU\_1x and UART\_Ref\_clk clocks.

### 7z010 CLG225 Device

The 7z010 CLG225 device supports 32 MIO pins as shown in the [MIO-at-a-Glance Table, page 52](#). This restricts the availability of the UART signals on the MIO pins. If needed, the Tx and Rx UART signals can be routed through the EMIO interface and passed-through to the PL pins. All of the 7z010 CLG225 device restrictions are listed in section [1.1.3 Notices](#).

## 19.2 Functional Description

### 19.2.1 Block Diagram

The block diagram for the UART module is shown in [Figure 19-2](#)

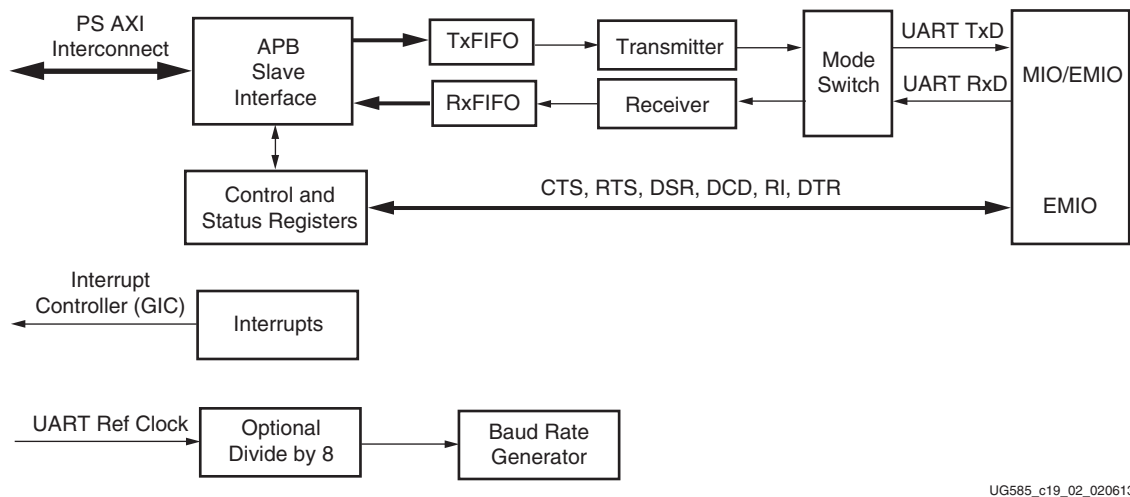


Figure 19-2: UART Block Diagram

### 19.2.2 Control Logic

The control logic contains the Control register and the Mode register, which are used to select the various operating modes of the UART.

The Control register enables, disables, and issues soft resets to the receiver and transmitter modules. In addition, it restarts the receiver timeout period, and controls the transmitter break logic.

Receive line break detection must be implemented in Software. It will be indicated by a Frame Error followed by one or more zero bytes in the Rx FIFO.

The Mode register selects the clock used by the baud rate generator. It also selects the bit length, parity bit and stop bit to be used by transmitted and received data. In addition, it selects the mode of operation of the UART, switching between normal UART mode, automatic echo, local loopback, or remote loopback, as required.

### 19.2.3 Baud Rate Generator

The baud rate generator furnishes the bit period clock, or baud rate clock, for both the receiver and the transmitter. The baud rate clock is implemented by distributing the base clock `uart_clk` and a single cycle clock enable to achieve the effect of clocking at the appropriate frequency division. The effective logic for the baud rate generation is shown in [Figure 19-3](#).

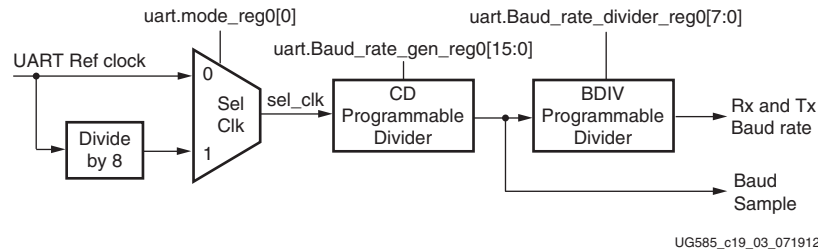


Figure 19-3: UART Board Rate Generator

The baud rate generator can use either the master clock signal, `uart_ref_clk`, or the master clock divided by eight, `uart_ref_clk/8`. The clock signal used is selected according to the value of the `CLKS` bit in the Mode register (`uart.mode_reg0`). The resulting selected clock is termed `sel_clk` in the following description.

The `sel_clk` clock is divided down to generate three other clocks: `baud_sample`, `baud_tx_rate`, and `baud_rx_rate`. The `baud_tx_rate` is the target baud rate used for transmitting data. The `baud_rx_rate` is nominally at the same rate, but gets resynchronised to the incoming received data. The `baud_sample` runs at a multiple (`[BDIV] + 1`) of `baud_rx_rate` and `baud_tx_rate` and is used to over-sample the received data.

The `sel_clk` clock frequency is divided by the `CD` field value in the Baud Rate Generator register to generate the `baud_sample` clock enable. This register can be programmed with a value between 1 and 65535.

The `baud_sample` clock is divided by `[BDIV] + 1`. `BDIV` is a programmable field in the Baud Rate Divider register and can be programmed with a value between 4 and 255. It has a reset value of 15, inferring a default ratio of 16 `baud_sample` clocks per `baud_tx_rate` / `baud_rx_rate`.

Thus the frequency of the `baud_sample` clock enable is shown in Equation 19-1.

$$baud\_sample = \frac{sel\_clk}{CD} \tag{Equation 19-1}$$

The frequency of the `baud_rx_rate` and `baud_tx_rate` clock enables is show in Equation 19-2.

$$baud\_rate = \frac{sel\_clk}{CD \times (BDIV + 1)} \tag{Equation 19-2}$$



**IMPORTANT:** It is essential to disable the transmitter and receiver before writing to the Baud Rate Generator register (`uart.Baud_rate_gen_reg0`), or the baud rate divider register (`uart.Baud_rate_divider_reg0`). A soft reset must be issued to both the transmitter and receiver before they are re-enabled.

Some examples of the relationship between the `uart_ref_clk` clock, baud rate, clock divisors (`CD` and `BDIV`), and the rate of error are shown in Table 19-1. The highlighted entry shows the default reset

values for CD and BDIV. For these examples, a system clock rate of UART\_Ref\_Clk = 50 MHz and Uart\_ref\_clk/8 = 6.25 MHz is assumed. The frequency of the UART reference clock can be changed to get a more accurate Baud rate frequency, refer to [Chapter 25, Clocks](#) for details to program the UART\_Ref\_Clk.

Table 19-1: UART Parameter Value Examples

Clock	Baud Rate	Calculated CD	Actual CD	BDIV	Actual Baud Rate	Error (BPS)	% Error
UART Ref clock	600	10416.667	10417	7	599.980	0.020	-0.003
UART Ref clock /8	9,600	81.380	81	7	9,645.061	45.061	0.469
UART Ref clock	9,600	651.041	651	7	9,600.614	0.614	0.006
UART Ref clock	28,800	347.222	347	4	28,818.44	18.44	0.064
UART Ref clock	115,200	62.004	62	6	115,207.37	7.373	0.0064
UART Ref clock	230,400	31.002	31	6	230,414.75	14.75	0.006
UART Ref clock	460,800	27.127	9	11	462,962.96	2,162.96	0.469
UART Ref clock	921,600	9.042	9	5	925,925.92	4,325.93	0.469

## 19.2.4 Transmit FIFO

The transmit FIFO (TxFIFO) stores data written from the APB interface until it is removed by the transmit module and loaded into its shift register. The TxFIFO's maximum data width is eight bits. Data is loaded into the TxFIFO by writing to the TxFIFO register.

When data is loaded into the TxFIFO, the TxFIFO empty flag is cleared and remains in this Low state until the last word in the TxFIFO has been removed and loaded into the transmitter shift register. This means that host software has another full serial word time until the next data is needed, allowing it to react to the empty flag being set and write another word in the TxFIFO without loss in transmission time.

The TxFIFO full interrupt status (TFULL) indicates that the TxFIFO is completely full and prevents any further data from being loaded into the TxFIFO. If another APB write to the TxFIFO is performed, an overflow is triggered and the write data is not loaded into the TxFIFO. The transmit FIFO nearly full flag (TNFULL) indicates that there is not enough free space in the FIFO for one more write of the programmed size, as controlled by the WSIZE bits of the Mode register.

The TxFIFO nearly-full flag (TNFULL) indicates that there is only byte free in the TxFIFO.

A threshold trigger (TTRIG) can be setup on the TxFIFO fill level. The Transmitter Trigger register can be used to setup this value, such that the trigger is set when the TxFIFO fill level reaches this programmed value.

## 19.2.5 Transmitter Data Stream

The transmit module removes parallel data from the TxFIFO and loads it into the transmitter shift register so that it can be serialized.

The transmit module shifts out the start bit, data bits, parity bit, and stop bits as a serial data stream. Data is transmitted, least significant bit first, on the falling edge of the transmit baud clock enable (baud\_tx\_rate). A typical transmitted data stream is illustrated in Figure 19-4.

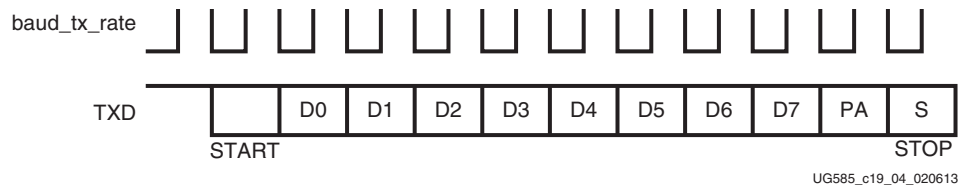


Figure 19-4: Transmitted Data Stream

The `uart.mode_reg0[CHRL]` register bit selects the character length, in terms of the number of data bits. The `uart.mode_reg0[NBSTOP]` register bit selects the number of stop bits to transmit.

### 19.2.6 Receiver FIFO

The Rx FIFO stores data that is received by the receiver serial shift register. The Rx FIFO's maximum data width is eight bits.

When data is loaded into the Rx FIFO, the Rx FIFO empty flag is cleared and this state remains Low until all data in the Rx FIFO has been transferred through the APB interface. Reading from an empty Rx FIFO returns zero.

The Rx FIFO full status (`Chnl_int_sts_reg0 [RFUL]` and `Channel_sts_reg0 [RFUL]` bits) indicates that the Rx FIFO is full and prevents any further data from being loaded into the Rx FIFO. When a space becomes available in the Rx FIFO, any character stored in the receiver will be loaded.

A threshold trigger (RTRIG) can be setup on the Rx FIFO fill level. The Receiver Trigger Level register (`Rcvr_FIFO_trigger_level0`) can be used to setup this value, such that the trigger is set when the Rx FIFO fill level transitions this programmed value. The Range is 1 to 63.

### 19.2.7 Receiver Data Capture

The UART continuously over-samples the `UARTx_RxD` signal using `UARTx_REF_CLK` and the clock enable (`baud_sample`). When the samples detect a transition to a Low level, it can indicate the beginning of a start bit. When the UART senses a Low level at the `UART_RxD` input, it waits for a count of half of `BDIV` baud rate clock cycles, and then samples three more times. If all three bits still indicate a Low level, the receiver considers this to be a valid start bit, as illustrated in Figure 19-5 for the default `BDIV` of 15.

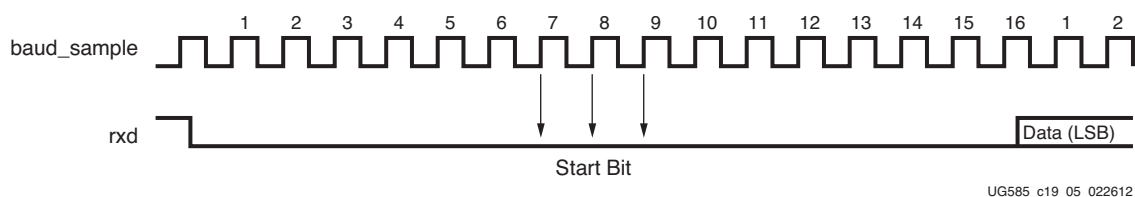


Figure 19-5: Default BDIV Receiver Data Stream

When a valid start bit is identified, the receiver baud rate clock enable (`baud_rx_rate`) is re-synchronised so that further sampling of the incoming UART RxD signal occurs around the theoretical mid-point of each bit, as illustrated in [Figure 19-6](#).

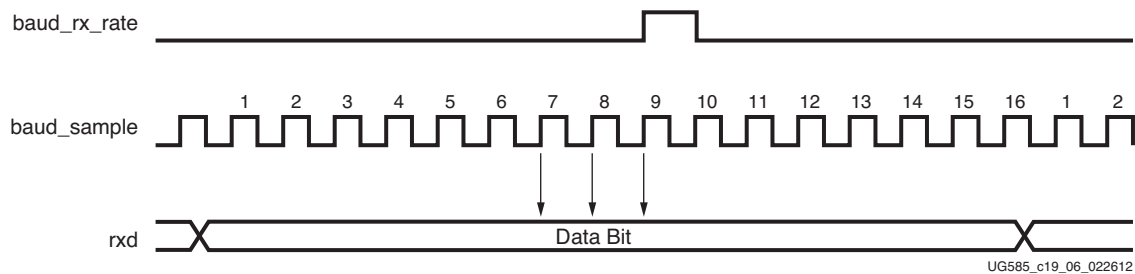


Figure 19-6: Re-synchronized Receiver Data Stream

When the re-synchronised `baud_rx_rate` is High, the last three sampled bits are compared. The logic value is determined by majority voting; two samples having the same value define the value of the data bit. When the value of a serial data bit has been determined, it is shifted to the receive shift register. When a complete character has been assembled, the contents of the register are then pushed to the Rx FIFO.

## Receiver Parity Error

Each time a character is received, the receiver calculates the parity of the received data bits in accordance with the `uart.mode_reg0 [PAR]` bit field. It then compares the result with the received parity bit. If a difference is detected, the parity error bit is set = 1, `uart.Chnl_int_sts_reg0 [PARE]`. An interrupt is generated, if enabled.

## Receiver Framing Error

When the receiver fails to receive a valid stop bit at the end of a frame, the frame error bit is set = 1, `uart.Chnl_int_sts_reg0 [FRAME]`. An interrupt is generated, if enabled.

## Receiver Overflow Error

When a character is received, the controller checks to see if the Rx FIFO has room. If it does, then the character is written into the Rx FIFO. If the Rx FIFO is full, then the controller waits. If a subsequent start bit on RxD is detected and the Rx FIFO is still full, then data is lost and the controller sets the Rx overflow interrupt bit, `uart.Chnl_int_sts_reg0 [ROVR]` = 1. An interrupt is generated, if enabled.

## Receiver Timeout Mechanism

The receiver timeout mechanism enables the receiver to detect an inactive RxD signal (a persistent High level). The timeout period is programmed by writing to the `uart.Rcvr_timeout_reg0 [RTO]` bit field. The timeout mechanism uses a 10-bit decrementing counter. The counter is reloaded and starts counting down whenever a new start bit is received on the RxD signal, or whenever software writes a 1 to `uart.Control_reg0 [RSTTO]` (regardless of the previous [RSTTO] value).



If no start bit or reset timeout occurs for 1,023 bit periods, a timeout occurs. The Receiver timeout error bit [TIMEOUT] will be set in the interrupt status register, and the [RSTTO] bit in the Control register should be written with a 1 to restart the timeout counter, which loads the newly programmed timeout value.

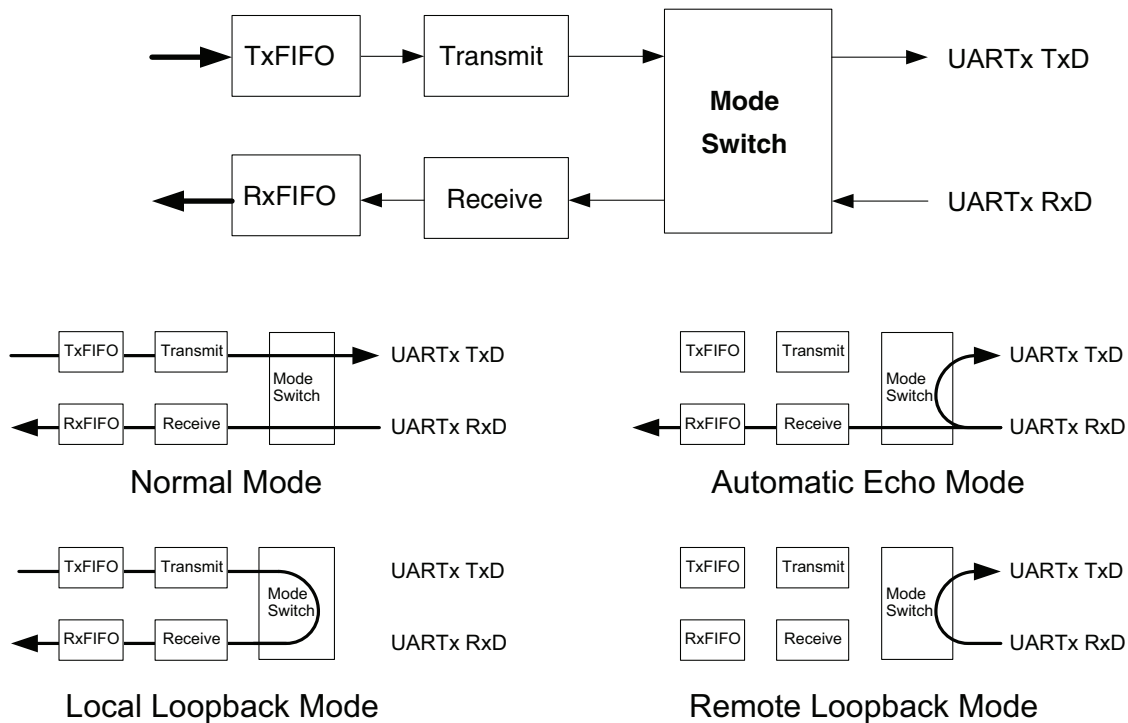
The upper 8 bits of the counter are reloaded from the value in the [RTO] bit field and the lower 2 bits are initialized to zero. The counter is clocked by the UART bit clock. As an example, if [RTO] = 0xFF, then the timeout period is 1,023 bit clocks (256 x 4 minus 1). If 0 is written into the [RTO] bit, the timeout mechanism is disabled.

When the decrementing counter reaches 0, the receiver timeout occurs and the controller sets the timeout interrupt status bit `uart.Chnl_int_sts_reg0 [TIMEOUT] = 1`. If the interrupt is enabled (`uart.Intrpt_mask_reg0 [TIMEOUT] = 1`), then the IRQ signal to the PS interrupt controller is asserted.

Whenever the timeout interrupt occurs, it is cleared with a write back of 1 to the `Chnl_int_sts_reg0 [TIMEOUT]` bit. Software must set `uart.Control_reg0 [RSTTO] = 1` to generate further receive timeout interrupts.

## 19.2.8 I/O Mode Switch

The mode switch controls the routing of the RxD and TxD signals within the controller as shown in [Figure 19-7](#). The loopback using the mode switch occurs regardless of the MIO-EMIO routing of the UARTx TxD/RxD I/O signals. There are four operating modes as shown in [Figure 19-7](#). The mode is controlled by the `uart.mode_reg0 [CHMODE]` register bit field: normal, automatic echo, local loopback and remote loopback.



UG585\_c19\_13\_100512

Figure 19-7: UART Mode Switch for TxD and RxD

### Normal Mode

Normal mode is used for standard UART operations.

### Automatic Echo Mode

Echo mode receives data on RxD and the mode switch routes the data to both the receiver and the TxD pin. Data from the transmitter cannot be sent out from the controller.

### Local Loopback Mode

Local loopback mode does not connect to the RxD or TxD pins. Instead, the transmitted data is looped back around to the receiver.

### Remote Loopback Mode

Remote loopback mode connects the RxD signal to the TxD signal. In this mode, the controller cannot send anything on TxD and the controller does not receive anything on RxD.

## 19.2.9 UART0-to-UART1 Connection

The I/O signals of the two UART controllers in the PS can be connected together. In this mode, the RxD and CTS input signals from one controller are connected to the TxD and RTS output signals of the other UART controller by setting the slcr.LOOP [UA0\_LOOP\_UA1] bit = 1. The other flow control signals are not connected. This UART-to-UART connection occurs regardless of the MIO-EMIO programming.

## 19.2.10 Status and Interrupts

### Interrupt and Status Registers

There are two status registers that can be read by software. Both show raw status. The Chnl\_int\_sts\_reg0 register can be read for status and generate an interrupt. The Channel\_sts\_reg0 register can only be read for status.

The Chnl\_int\_sts\_reg0 register is sticky; once a bit is set, the bit stays set until software clears it. Write a 1 to clear a bit. This register is bit-wise AND'ed with the Intrpt\_mask\_reg0 mask register. If any of the bit-wise AND functions have a result = 1, then the UART interrupt is asserted to the PS interrupt controller.

- **Channel\_sts\_reg0:** Read-only raw status. Writes are ignored.

The various FIFO and system indicators are routed to the uart.Channel\_sts\_reg0 register and/or the uart.Chnl\_int\_sts\_reg0 register as shown in Figure 19-8.

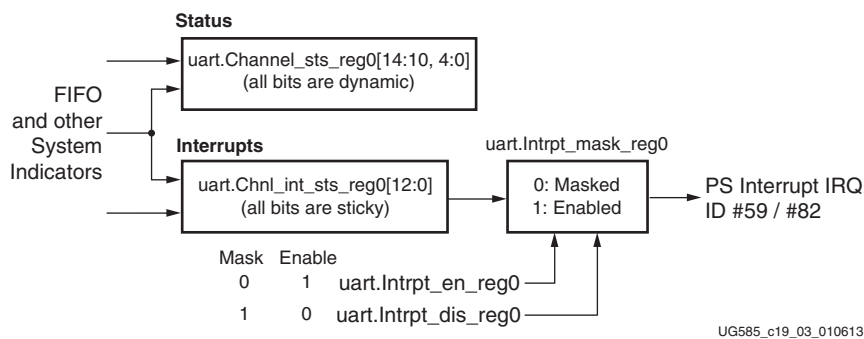


Figure 19-8: Interrupts and Status Signals

The interrupt registers and bit fields are summarized in [Table 19-2](#).

Table 19-2: UART Interrupt Status Bits

Interrupt Register Names and Bit Assignments														
14	13	12	11	10	9	8	7	6	5	4	3	2	1	0
uart.Intrpt_en_reg0														
uart.Intrpt_dis_reg0														
uart.Intrpt_mask_reg0														
uart.Chnl_int_sts_reg0														
x	x	TOVR	TNFUL	TTRIG	DMSI	TIME OUT	PARE	FRAME	ROVR	TFUL	EMPTY	RFUL	EMPTY	RTRIG
uart.Channel_sts_reg0														
TNFUL	TTRIG	FDELT	TACTIVE	RACTIVE	X	X	X	X	X	TFUL	EMPTY	RFUL	EMPTY	RTRIG

### Interrupt Mask Register

Intrpt\_mask\_reg0 is a read-only interrupt mask/enable register that is used to mask individual raw interrupts in the Chnl\_int\_sts\_reg0 register:

- If the mask bit = 0, the interrupt is masked.
- If the mask bit = 1, the interrupt is enabled.

This mask is controlled by the write-only Intrpt\_en\_reg0 and Intrpt\_dis\_reg0 registers. Each associated enable/disable interrupt bit should be set mutually exclusive (e.g., to enable an interrupt, write 1 to Intrpt\_en\_reg0[x] and write 0 to Intrpt\_dis\_reg0[x]).

### Channel Status

These status bits are in the Channel\_sts\_reg0 register.

- **TACTIVE:** Transmitter state machine active status. If in an active state, the transmitter is currently shifting out a character.
- **RACTIVE:** Receiver state machine active status. If in an active state, the receiver is has detected a start bit and is currently shifting in a character.
- **FDELT:** Receiver flow delay trigger continuous status. The FDELT status bit is used to monitor the RxFIFO level in comparison with the flow delay trigger level.

### Non-FIFO Interrupts

These interrupt status bits are in the Chnl\_int\_sts\_reg0 register.

- **TIMEOUT:** Receiver Timeout Error interrupt status. This event is triggered whenever the receiver timeout counter has expired due to a long idle condition.
- **PARE:** Receiver Parity Error interrupt status. This event is triggered whenever the received parity bit does not match the expected value.
- **FRAME:** Receiver Framing Error interrupt status. This event is triggered whenever the receiver fails to detect a valid stop bit. Refer to section [19.2.7 Receiver Data Capture](#).

- **DMSI:** indicates a change of logic level on the DCD, DSR, RI or CTS modem flow control signals. This includes High-to-Low and Low-to-High logic transitions on any of these signals.

## FIFO Interrupts

The status bits for the FIFO interrupts listed in Table 19-2 are illustrated in Figure 19-9. These interrupt status bits are in the Channel Status (uart.Channel\_sts\_reg0) and Channel Interrupt Status (uart.Chnl\_int\_sts\_reg0) registers with the exception that the [TOVR] and [ROVR] bits are not part of the uart.Channel\_sts\_reg0 register.

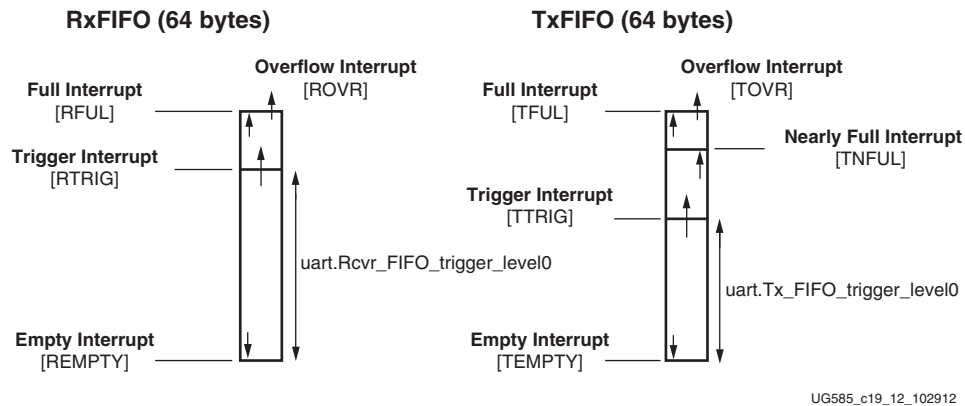


Figure 19-9: UART RxFIFO and TxFIFO Interrupt

The FIFO trigger levels are controlled by these bit fields:

- uart.Rcvr\_FIFO\_trigger\_level0[RTRIG], a 6-bit field
- uart.Tx\_FIFO\_trigger\_level0[TTRIG], a 6-bit field

## 19.2.11 Modem Control

The modem control module facilitates the control of communication between a modem and the UART. It contains the Modem Status register, the Modem Control register, the DMSI bit in interrupt status register, and FDEL in the channel status register. This event is triggered whenever the DCTS, DDSR, TERI, or DDCD in the modem status register are being set.

The read-only Modem Status register is used to read the values of the clear to send (CTS), data carrier detect (DCD), data set ready, (DSR) and ring indicator (RI) modem inputs. It also reports changes in any of these inputs and indicates whether automatic flow control mode is currently enabled. The bits in the Modem Status register are cleared by writing a 1 to the particular bit.

The read/write only Modem Control register is used to set the data terminal ready (DTR) and request to send (RTS) outputs, and to enable the Automatic Flow Control Mode register.

By default, the automatic flow control mode is disabled, meaning that the modem inputs and outputs work completely under software control. When the automatic flow control mode is enabled by setting the FCM bit in the Modem Control register, the UART transmission and reception status is automatically controlled using the modem handshake inputs and outputs.

In automatic flow control mode the request to send output is asserted and de-asserted based on the current fill level of the receiver FIFO, which results in the far-end transmitter pausing transmission and preventing an overflow of the UART receiver FIFO. The FDEL field in the Flow Delay register (Flow\_delay\_reg0) is used to setup a trigger level on the Receiver FIFO which causes the de-assertion of the request to send. It remains Low until the FIFO level has dropped to below four less than FDEL.

Additionally in automatic flow control mode, the UART only transmits while the clear to send input is asserted. When the clear to send is de-asserted, the UART pauses transmission at the next character boundary.

If flow control is selected as automatic, then Flow Delay register must be programmed in order to have a control on the inflow of data, which is done by de-asserting RTS signal. The value corresponds to the RxFIFO level at which RTS signal will be de-asserted. It will be re-asserted when the RxFIFO level drops to four below the value programmed in the Flow Delay register.

The `uart.Channel_sts_reg0 [FDEL]` register bit is used to monitor the RxFIFO level in comparison with the flow delay trigger level. The [FDEL] bit is set whenever the RxFIFO level is greater than or equal to trigger the level programmed in the Flow Delay register.

The trigger level programmed in the Flow Delay register has no dependency on the Rx Trigger Level register. This is to only control the inflow of data using the RTS modem signal.

The CPU will be interrupted by receive data only on receipt of an Rx Trigger interrupt. Data is retrieved based on the trigger level programmed in the Rx Trigger Level register.

## Programmable Parameters

The UART flow control signals, DTR and RTS are generated by the UART controller.

- The RTS flow control signal is used to signal for Rx (ready to send signal to the attached terminal).
- The DTR flow control signal indicates the status of the UART controller (data terminal ready).

The DTR and RTS can be controlled manually by software or automatically by the controller.

- In automatic mode, the modem control unit asserts and de-asserts the RTS and DTR signals.
- In manual mode, software controls the RTS and DTR signals using `uart.Modem_ctrl_reg0`.

### **uart.Modem\_ctrl\_reg0:**

- [DTR]: Data Terminal Ready output signal
- [RTS]: Request to Send output signal
- [FCM]: Select Automatic or Manual flow control.

### **uart.Modem\_sts\_reg0:**

- [DCTS]: Delta Clear To Send (input) status
- [DDSR]: Delta Data Set Ready (input) status
- [TERI]: Trailing-edge Ring Indicator (input) status
- [DDCD]: Delta Data Carrier Detect (input) status

Select one of the following operating options:

#### Example: Automatic Flow Control

1. **Set RTS trigger level.** Write to the `uart.Flow_Delay_reg0` register. This is the trigger level to de-assert modem signal RTS.
2. **Select automatic flow control.** Write a 1 to `uart.Modem_ctrl_reg0` [FCM].
3. **Verify the mode change to automatic.** Read `uart.Modem_sts_reg0` [FCMS] until it equals 1.

When software writes a 1 to `uart.Modem_ctrl_reg0` [FCM], the modem changes to automatic mode. The change of mode from manual to automatic is verified by reading the status bit FCMS in the Modem Status register.

#### Example: Manual Flow Control

1. **Select manual flow control.** Write a 0 to `uart.Modem_ctrl_reg0` [FCM].
  - Option a. Control the DTR output signal using `uart.Modem_ctrl_reg0` [DTR].
  - Option b. Control the RTS output signal using `uart.Modem_ctrl_reg0` [RTS].

#### Example: Monitor for a Change in the DCD DSR RI CTS Flow Control Signals

A logic level change to the DCD DSR RI CTS flow control signals is detected by the controller. When a logic level change is detected, the hardware sets the `uart.Chnl_int_sts_reg0` [DMSI] bit. This change, or channel status can optionally generate an interrupt.

1. **Check flow control signal status.** `uart.Modem_sts_reg0` register reports the modem status.

In interrupt mode, the ISR can run when the DMSI interrupt occurs when there is a change of status on modem lines.

---

## 19.3 Programming Guide

### 19.3.1 Start-up Sequence

#### Main Example: Start-up Sequence

1. **Reset controller:** The reset programming model is described in section [19.4.2 Resets](#).
2. **Configure I/O signal routing:** Rx/Tx can be routed to either MIO or EMIO. The modem control signals are only available on the EMIO interface. Refer to section [19.5.1 MIO Programming](#).
3. **Configure UART\_Ref\_Clk:** The UART clock architecture and programming model are described in section [19.4.1 Clocks](#).
4. **Configure controller functions:** Program the I/O signal characteristics and controller functions using the `uart.Control_reg0` and `uart.mode_reg0` registers. Examples are shown in section [19.3.2 Configure Controller Functions](#).

5. **Configure interrupts:** Interrupts are used to manage the Rx/Tx FIFOs in all modes. Refer to section [19.2.10 Status and Interrupts](#) and the program example in section [19.3.5 RxFIFO Trigger Level Interrupt](#).
6. **Configure modem controls (optional):** Polling and interrupt driven options. Refer to section [19.2.11 Modem Control](#).
7. **Manage transmit and receive data:** Polling and interrupt driven handlers are supportable. Refer to sections [19.3.3 Transmit Data](#) and [19.3.4 Receive Data](#).

## 19.3.2 Configure Controller Functions

### Example: Configure Controller Functions

This example configures the character frame, the baud rate, the FIFO trigger levels, the Rx timeout mechanism, and enables the controller. All of these steps are necessary after a reset, but not necessary between enabling and disabling the controller.

1. **Configure UART character frame.** Write `0x0000_0020` into the `uart.mode_reg0`:
  - a. Disables clock pre-divider, `UART_REF_CLK/8`: `[CLKS] = 0`
  - b. Selects 8-bit character length: `[CHRL] = 00`
  - c. Selects no parity: `[PAR] = 100`
  - d. Selects 1 stop bit: `[NBSTOP] = 00`
  - e. Selects normal channel mode (Mode Switch): `[CHMODE] = 00`
2. **Configure the Baud Rate.** Write to three registers: `uart.Control_reg0`, `uart.Baud_rate_gen_reg0`, and `uart.Baud_rate_divider_reg0`. Examples for the calculated CD and BDIV values are shown in [Table 19-1, page 574](#). The baud rate generator is described in section [19.2.3 Baud Rate Generator](#).
  - a. Disable the Rx path: set `uart.Control_reg0 [RXEN] = 0` and `[RXDIS] = 1`.
  - b. Disable the Tx path: set `uart.Control_reg0 [TXEN] = 0` and `[TXDIS] = 1`.
  - c. Write the calculated CD value into the `uart.Baud_rate_gen_reg0 [CD]` bit field.
  - d. Write the calculated BDIV value into the `uart.Baud_rate_divider_reg0 [BDIV]` bit value.
  - e. Reset Tx and Rx paths: `uart.Control_reg0 [TXRST]` and `[RXRST] = 1`. These bits are self-clearing.
  - f. Enable the Rx path: Set `[RXEN] = 1` and `[RXDIS] = 0`.
  - g. Enable the Tx path: Set `[TXEN] = 1` and `[TXDIS] = 0`.
3. **Set the level of the Rx FIFO trigger level.** Write the trigger level into the `uart.Rcvr_FIFO_trigger_level0` register.
  - Option a: **Enable the Rx trigger level:** Write a value of 1 to 63 into the `[RTRIG]` bit field.
  - Option b: **Disable the Rx trigger level:** Write 0 into the `[RTRIG]` bit field.
4. **Enable the Controller.** Write `0x0000_0117` into the `uart.Control_reg0` register.
  - a. Reset Tx and Rx paths: `uart.Control_reg0 [TXRST]` and `[RXRST] = 1`. These bits are self-clearing.
  - b. Enables the Rx path: `[RXEN] = 1` and `[RXDIS] = 0`.



- c. Enables the Tx path: [TXEN] = 1 and [TXDIS] = 0.
  - d. Restarts the Receiver Timeout Counter: [RSTTO] = 1.
  - e. Does not start to transmit a break: [STTBK] = 0.
  - f. Stop Break transmitter: [STPBK] = 1
5. **Program the Receiver Timeout Mechanism.** Write the timeout value into the `uart.Rcvr_timeout_reg0` register. Refer to [Receiver Timeout Mechanism, page 576](#).
- a. To enable the timeout mechanism, write a value of 1 to 255 into the [RSTTO] bit field.
  - b. To disable the timeout mechanism, write a 0 into the [RSTTO] bit field.

### 19.3.3 Transmit Data

Software can use polling or interrupts to control the flow of data to the TxFIFO and RxTxFIFO.

**Note:** When the TxTxFIFO Empty status is true, software can write 64 bytes (the size of the TxTxFIFO) without checking the TxTxFIFO status. In reality, software can write more than 64 bytes when the transmitter is active because while the software is writing data to the TxTxFIFO, the controller is removing data and serializing it onto the Tx signal.

#### Example: Transmit Data using the Polling Method

In this example, the software can choose to fill the TxTxFIFO until the Full status bit is set or wait for the TxTxFIFO to be empty (and write up to 64 bytes). The software can always write a byte when the TxTxFIFO is nearly full.

1. **Check to see if the TxTxFIFO is empty.** Wait until `uart.Channel_sts_reg0[EMPTY]` = 1.
2. **Fill the TxTxFIFO with data.** Write 64 bytes of data to the `uart.TX_RX_FIFO0` register.
3. **Write more data to the TxTxFIFO.** There are two methods:

Option A: **Check to see if the TxTxFIFO has room to another byte of data (i.e., the TxTxFIFO is not full):** Read `uart.Channel_sts_reg0 [TFUL]` until it equals 0. When [TFUL] = 0, write a single byte of data into the TxTxFIFO and then read [TFUL] again.

Option B: **Wait until the TxTxFIFO goes empty.** Read `uart.Channel_sts_reg0 [EMPTY]` until it equals 1, then go to step 2 to fill the TxTxFIFO with 64 bytes of data.

#### Example: Transmit Data using the Interrupt Method

This example initially fills the TxTxFIFO in a similar way as the polling method. Then, software enables the TxTxFIFO Empty interrupt to alert the software to fill-up the TxTxFIFO again.

1. **Disable the TxTxFIFO Empty interrupt.** Write a 1 to `uart.Intrpt_dis_reg0 [EMPTY]`.
2. **Fill the TxTxFIFO with data.** Write 64 bytes of data to the `uart.TX_RX_FIFO0` register.
3. **Check to see if the TxTxFIFO has room to another byte of data (i.e., the TxTxFIFO is not full):** read `uart.Channel_sts_reg0 [TFUL]` until it equals 0. When [TFUL] = 0, write a single byte of data into the TxTxFIFO and then read [TFUL] again.
4. **Repeat step 2 and 3.** Repeat until `uart.Channel_sts_reg0 [TFUL]` is not set.

5. **Enable the interrupt.** Enable the interrupt with a write of 1 to `uart.Intrpt_en_reg0` [EMPTY].
6. **Wait until the TxFIFO is empty.** Repeat from step 1 when `uart.Channel_int_sts_reg0` [EMPTY] is set to 1.

### 19.3.4 Receive Data

#### Example: Receive Data using the Polling Method

1. **Wait until the RxFIFO is filled up to the trigger level.** Check to see if `uart.Channel_sts_reg0[RTRIG] = 1` or `uart.Chnl_int_sts_reg0 [TIMEOUT] = 1`.
2. **Read data from the RxFIFO.** Read data from the `uart.TX_RX_FIFO0` register.
3. **Repeat step 2 until FIFO is empty.** Check that `uart.Channel_sts_reg0 [EMPTY] = 1`.
4. **Clear if Rx timeout interrupt status bit is set.** Write 1 to `Chnl_int_sts_reg0 [TIMEOUT]`.

#### Example: Receive Data using the Interrupt Method

1. **Enable interrupts.** Write a 1 to `uart.Intrpt_en_reg0 [TIMEOUT]` and `uart.Intrpt_en_reg0[RTRIG]`.
2. **Wait until the RxFIFO is filled up to the trigger level or Rx timeout.** Check that `uart.Chnl_int_sts_reg0 [RTRIG] = 1` or `uart.Chnl_int_sts_reg0 [TIMEOUT] = 1`.
3. **Read data from the RxFIFO.** Read data from the `uart.TX_RX_FIFO0` register.
4. **Repeat step 2 and 3 until the FIFO is empty.** Check that `uart.Channel_sts_reg0 [EMPTY] = 1`.
5. **Clear the interrupt status bits if set.** Write a 1 to `Chnl_int_sts_reg0 [TIMEOUT]` or `Chnl_int_sts_reg0 [RTRIG]`.

### 19.3.5 RxFIFO Trigger Level Interrupt

#### Example: Set the RxFIFO Trigger Level and Enable the Interrupt

The `Intrpt_en_reg0` register has bits to enable the interrupt mask and `Intrpt_dis_reg0` has bits to forcefully disable the interrupts. Each pair of bits should be set mutually exclusive (i.e., one register has a 1 for the bit and the other register has a 0):

- `Intrpt_en_reg0`: Write-only. Enable interrupt bit(s).
  - `Intrpt_dis_reg0`: Write-only. Force disable of interrupt bit(s).
1. **Program the Trigger Level.** Write to the 6-bit field, `uart.Rcvr_FIFO_trigger_level0[RTRIG]`.
  2. **Enable the RTRIG interrupt.** Set the enable bit, clear the disable bit, and verify the mask value:
    - a. Set `uart.Intrpt_en_reg0[RTRIG] = 1`.
    - b. Clear `uart.Intrpt_dis_reg0[RTRIG] = 0`.
    - c. The `uart.intrpt_mask_reg0[RTRIG]` read back = 1 (enabled interrupt).
  3. **Disable the RTRIG interrupt.** Set the disable bit, clear the enable bit, and verify the mask value:
    - a. Set `uart.Intrpt_dis_reg0[RTRIG] = 1`.
    - b. Clear `uart.Intrpt_en_reg0[RTRIG] = 0`.

- c. The `uart.intrpt_mask_reg0[RTRIG]` read back = 0 (disabled interrupt).
4. **Clear the RTRIG interrupt.** Write a one to the `uart.Intrpt_dis_reg0[RTRIG]` bit field.

When both the enable and disable bits are set for an interrupt, the interrupt is disabled.

The state of the interrupt enable/disable mechanism can be determined by reading the `uart.Intrpt_mask_reg0` register. If the mask bit = 1, then the interrupt is enabled.

## 19.3.6 Register Overview

An overview of the UART registers is shown in [Table 19-3](#). Details are provided in [Appendix B, Register Details](#).

Table 19-3: UART Register Overview

Function	uart. Register Names	Overview
Configuration	Control_reg0 mode_reg0 Baud_rate_gen_reg0 Baud_rate_divider_reg0	Configure mode and baud rate.
Interrupt processing	Intrpt_en_reg0 Intrpt_dis_reg0 Intrpt_mask_reg0 Chnl_int_sts_reg0 Channel_sts_reg0	Enable/disable interrupt mask, channel interrupt status, channel status
Rx and Tx Data	TX_RX_FIFO0	Read data Received. Write data to be Transmitted.
Receiver	Rcvr_timeout_reg0 Rcvr_FIFO_trigger_level0	Configure receiver timeout and RxFIFO trigger level value.
Transmitter	Tx_FIFO_trigger_level0	Configure TxFIFO trigger level value.
Modem	Modem_ctrl_reg0 Modem_sts_reg0 Flow_delay_reg0	Configure modem-like application.

## 19.4 System Functions

### 19.4.1 Clocks

The controller and I/O interface are driven by the reference clock (UART\_REF\_CLK). The controller's interconnect also requires an APB interface clock (CPU\_1x). Both of these clocks always come from the PS clock subsystem.

## CPU\_1x Clock

Refer to section 25.2 [CPU Clock](#), for general clock programming information. The CPU\_1x clock runs asynchronous to the UART reference clock.

## Reference Clock

The generation of the reference clock in the PS clock subsystem is controlled by the `slcr.UART_CLK_CTRL` register. This register can select the PLL that the clock is derived from and sets the divider frequency. This register also controls the clock enables for each UART controller. The generation of the UART reference clock is described in section 25.6.3 [SDIO, SMC, SPI, Quad-SPI and UART Clocks](#).

## Operating Restrictions

**Note:** The clock operating restrictions are described in section 19.1.3 [Notices](#).

### Example: Configure Reference Clock

The clock can be based on any of the PLLs in the PS clock subsystem. In this example, the I/O PLL is used with a 1,000 MHz clock and the clock divisor is `0x14` to generate a 50 MHz clock for the UART controllers.

1. **Program the UART Reference clock.** Write `0x0000_1401` to the `slcr.UART_CLK_CTRL` register.
  - a. Clock divisor, `slcr.UART_CLK_CTRL[DIVISOR] = 0x14`.
  - b. Select the IO PLL, `slcr.UART_CLK_CTRL[SRCSEL] = 0`.
  - c. Enable the UART 0 Reference clock, `slcr.UART_CLK_CTRL [CLKACT0] = 1`.
  - d. Disable UART 1 Reference clock, `slcr.UART_CLK_CTRL [CLKACT1] bit = 0`.

## 19.4.2 Resets

The controller reset bits are generated by the PS, see [Chapter 26, Reset System](#).

### Example: Controller Reset

Option 1. **Assert Controller Reset:** Set both `slcr.UART_RST_CTRL[UARTx_REF_RST, UARTx_CPU1X_RST]` bits = 1.

Option 2. **De-assert Controller Reset:** Clear both `slcr.UART_RST_CTRL[UARTx_REF_RST, UARTx_CPU1X_RST]` bits = 0.

## 19.5 I/O Interface

### 19.5.1 MIO Programming

The UART RxD and TxD signals can be routed to one of many sets of MIO pins or to the EMIO interface. All of the modem flow control signals are always routed to the EMIO interface and are not available on the MIO pins. All of the UART signals are listed in [Table 19-4](#). The routing of the RxD and TxD signals are described in section [2.4 PS-PL Voltage Level Shifter Enables](#).

#### Example: Route UART 0 RxD/TxD Signals to MIO Pins 46, 47

In this example, the UART 0 RxD and TxD signals are routed through MIO pins 46 and 47. Many other pin options are possible.

1. **Configure MIO pin 46 for the RxD signal.** Write `0x0000_12E1` to the `slcr.MIO_PIN_46` register:
  - a. Route UART 0 RxD signal to pin 46.
  - b. Output disabled (set `TRI_ENABLE = 1`).
  - c. LVCMOS18 (refer to the register definition for other voltage options).
  - d. Slow CMOS edge (benign setting).
  - e. Enable internal pull-up resistor.
  - f. Disable HSTL receiver.
2. **Configure MIO pin 47 for the TxD signal.** Write `0x0000_12E0` to the `slcr.MIO_PIN_47` register:
  - a. Route UART 0 TxD signal to pin 47.
  - b. 3-state controlled by the UART (`TRI_ENABLE = 0`).
  - c. LVCMOS18 (refer to the register definition for other voltage options).
  - d. Slow CMOS drive edge.
  - e. Enable internal pull-up resistor.
  - f. Disable HSTL receiver.

## 19.5.2 MIO – EMIO Signals

The UART I/O signals are identified in Table 19-4. The MIO pins and any restrictions based on device versions are shown in the MIO table in section 2.5.4 MIO-at-a-Glance Table.

Table 19-4: UART MIO Pins and EMIO Signals

UART Interface Signal	Default Controller Input Value	MIO Pins	I/O	EMIO Signals	
		Numbers		Name	I/O
UART 0 Transmit	~	11, 15, 19, 23, 27, 31, 35, 39, 43, 47, 51	O	EMIOUART0TX	O
UART 0 Receive		10, 14, 18, 22, 26, 30, 34, 38, 42, 46, 50	I	EMIOUART0RX	I
UART 0 Clear to Send		~	~	EMIOUART0CTSN	I
UART 0 Ready to Send	~	~	~	EMIOUART0RTSN	O
UART 0 Data Set Ready		~	~	EMIOUART0DSRN	I
UART 0 Data Carrier Detect		~	~	EMIOUART0DCDN	I
UART 0 Ring Indicator		~	~	EMIOUART0RIN	I
UART 0 Data Terminal Ready	~	~	~	EMIOUART0DTRN	O
UART 1 Transmit	~	8, 12, 16, 20, 24, 28, 32, 36, 40, 44, 48, 52	O	EMIOUART1TX	O
UART 1 Receive		9, 13, 17, 21, 25, 29, 33, 37, 41, 45, 49, 53	I	EMIOUART1RX	I
UART 1 Clear to Send		~	~	EMIOUART1CTSN	I
UART 1 Ready to Send	~	~	~	EMIOUART1RTSN	O
UART 1 Data Set Ready		~	~	EMIOUART1DSRN	I
UART 1 Data Carrier Detect		~	~	EMIOUART1DCDN	I
UART 1 Ring Indicator		~	~	EMIOUART1RIN	I
UART 1 Data Terminal Ready	~	~	~	EMIOUART1DTRN	O

# I2C Controller

---

## 20.1 Introduction

This I2C module is a bus controller that can function as a master or a slave in a multi-master design. It supports an extremely wide clock frequency range from DC (almost) up to 400 Kb/s.

In master mode, a transfer can only be initiated by the processor writing the slave address into the I2C address register. The processor is notified of any available received data by a data interrupt or a transfer complete interrupt. If the HOLD bit is set, the I2C interface holds the SCL line Low after the data is transmitted to support slow processor service. The master can be programmed to use both normal (7-bit) addressing and extended (10-bit) addressing modes.

In slave monitor mode, the I2C interface is set up as a master and continues to attempt a transfer to a particular slave until the slave device responds with an ACK.

The HOLD bit can be set to prevent the master from continuing with the transfer, preventing an overflow condition in the slave.

A common feature between master mode and slave mode is the timeout (TO) interrupt flag. If at any point the SCL line is held Low by the master or the accessed slave for more than the period specified in the Timeout register, a timeout (TO) interrupt is generated to avoid stall conditions.

### 20.1.1 Features

The PS supports two I2C devices with these key features:

- I2C bus specification version 2
- Supports 16-byte FIFO
- Programmable normal and fast bus data rates
- Master mode
  - Write transfer
  - Read transfer
  - Extended address support
  - Support HOLD for slow processor service
  - Supports TO interrupt flag to avoid stall condition
- Slave monitor mode

- Slave mode
  - Slave transmitter
  - Slave receiver
  - Fully programmable slave response address
  - Supports HOLD to prevent overflow condition
  - Supports TO interrupt flag to avoid stall condition
- Software can poll for status or function as interrupt-driven device
- Programmable interrupt generation

## 20.1.2 System Block Diagram

The system viewpoint diagram for the I2C module is shown in [Figure 20-1](#).

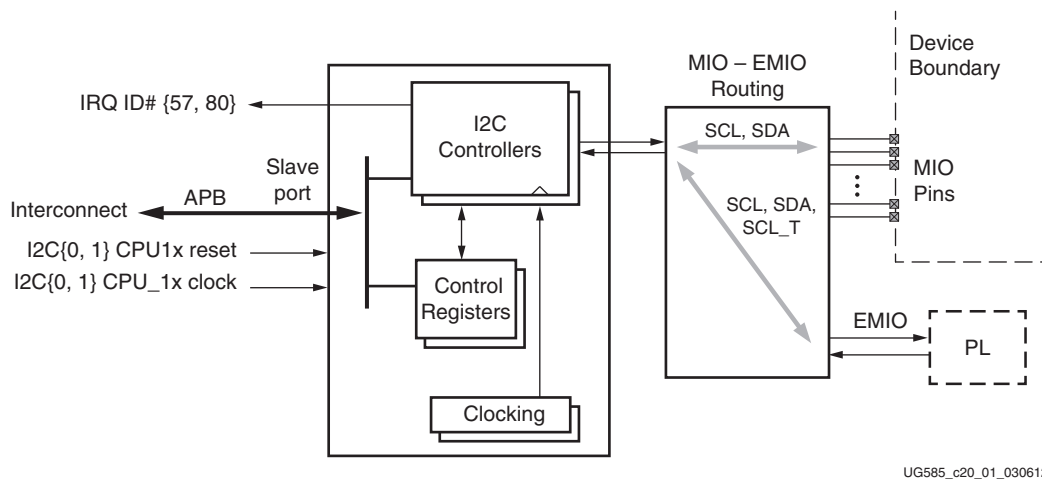


Figure 20-1: I2C System Block Diagram

## 20.1.3 Notices

The 7z010 CLG225 device supports 32 MIO pins as shown in section [2.5.4 MIO-at-a-Glance Table](#). This restricts the availability of the I2C signals on the MIO pins. As needed, I2C signals can be routed through the EMIO interface and passed-through to the PL pins. All 7z010 CLKG225 device restrictions are listed in section [1.1.3 Notices](#).



## 20.2 Functional Description

### 20.2.1 Block Diagram

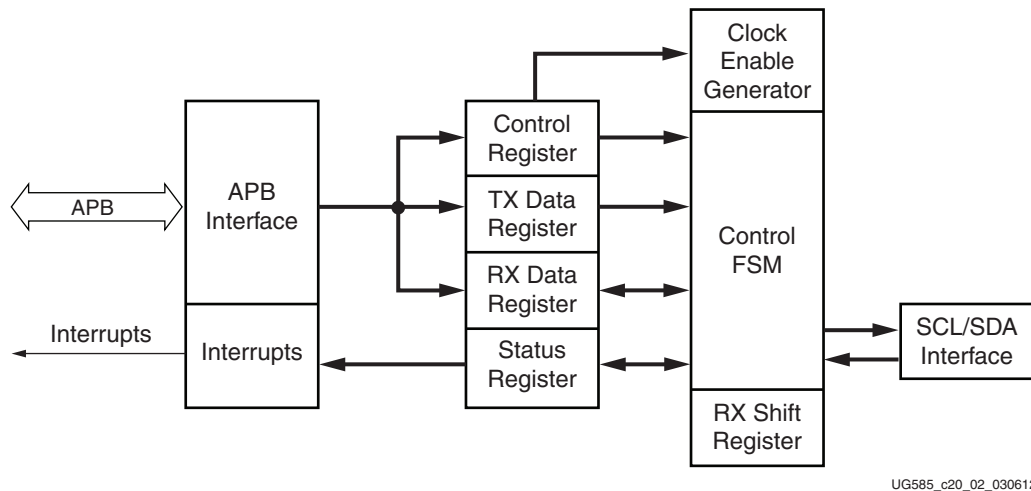


Figure 20-2: I2C Peripheral Block Diagram

### 20.2.2 Master Mode

An I2C transfer can only be initiated by the APB host, and two types of transfers can be performed:

- Write transfer, where the I2C becomes master transmitter
- Read transfer, where the I2C becomes master receiver

#### Write Transfer

To accomplish an I2C write transfer, the host must perform these steps:

1. Write to the control register to set up SCL speed and addressing mode.
2. Set the MS, ACKEN, and CLR\_FIFO bits and clear the RW bit in the Control register.
3. If required, set the HOLD bit. Otherwise write the first byte of data to the I2C Data register.
4. Write the slave address into the I2C address register. This initiates the I2C transfer.
5. Continue to load the remaining data to be sent to the slave by writing to the I2C Data register. The data is pushed in the FIFO each time the host writes to the I2C Data register.

When all data is transferred successfully, the COMP bit is set in the interrupt status register. A data interrupt is generated whenever there are only two bytes left for transmission in the FIFO.

When all data is transferred successfully, if the HOLD bit is not set, the I2C interface generates a STOP condition and terminates the transfer. If the HOLD bit is set, the I2C interface holds the SCL line Low

after the data is transmitted. The host is notified of this event by a transfer complete interrupt (COMP bit set) and the TXDV bit in the status register is cleared. At this point, the host can proceed in three ways:

1. Clear the HOLD bit. This causes the I2C interface to generate a STOP condition.
2. Supply more data by writing to the I2C address register. This causes the I2C interface to continue with the transfer, writing more data to the slave.
3. Perform combined format transfer. This is accomplished by first writing to the Control register and, if necessary, changing the transfer direction or addressing mode. The host must then write to the I2C Address register. This leads to a RESTART condition being generated by the I2C interface.

If at any point the slave responds with a NACK, the transfer automatically terminates and a transfer NACK interrupt is generated (the NACK bit set). When a NACK is received the Transfer Size register indicates the number of bytes that still need to be sent minus one. Unless the very last byte written by the host into the FIFO was a NACK byte, TXDV remains High. In this case, the host must clear the FIFO by setting the CLR\_FIFO bit in the Control register.

If at any point the SCL line is held Low by the master or the accessed slave for more than the period specified in the Timeout register, a TO interrupt is generated and the outstanding amount of data minus one is then read from the Transfer Size register.

## Read Transfer

To accomplish an I2C read transfer, the host must perform these steps:

1. Write to the Control register to set up the SCL speed and addressing mode.
2. Set the MS, ACKEN, CLR\_FIFO bits, and the RW bit in the Control register.
3. If the host wants to hold the bus after the data is received, it must also set the HOLD bit.
4. Write the number of requested bytes in the Transfer Size register.
5. Write the slave address in the I2C Address register. This initiates the I2C transfer.

The host is notified of any available received data in two ways:

1. If an outstanding transfer size is more than the FIFO size -2, a data interrupt is generated (DATA bit set) when there are two free locations available in the FIFO.
2. If an outstanding transfer size is less than FIFO size -2, a transfer complete interrupt is generated (COMP bit set) when the outstanding transfer size bytes are received.

In both cases, the RXDV bit in the status register is set.

The I2C interface automatically returns a NACK after receiving the last expected byte and terminates the transfer by generating a STOP condition. If the HOLD bit is set during a master read transfer, the I2C interface drives the SCL line Low.

If at any point the slave responds with NACK while the master transmits a slave address for a master read transfer, the transfer automatically terminates and a transfer NACK interrupt is generated (NACK bit is set). The outstanding amount of data can be read from the Transfer Size register.

If at any point the SCL line is held Low by the master or the accessed slave for more than the period specified in the Timeout register, a TO interrupt is generated.

The I2C module, as a master, is capable of performing combined transfers as specified by the I2C specification. It can perform more than one transfer without releasing the I2C bus and these transfers are separated by a repeated START condition.

The host can realize combined transfers by writing to the Address register before the end of the previous transfer. The correct transfer direction and slave addressing mode must be set by writing to the Control register, and then the Address register can be accessed for the second part of a combined transfer.

For combined transfers, the host must set the HOLD bit in the beginning of the first part of a transfer. When the host receives a transfer complete interrupt, it can then initiate the second part of a combined transfer.

### 20.2.3 Slave Monitor Mode

This mode is meaningful only when the module is in master mode and bit SLVMON in the control register is set. The host must set the MS and SLVMON bits and clear the RW bit in the Control register. Also, it must initialize the Slave Monitor Pause register.

The master attempts a transfer to a particular slave whenever the host writes to the I2C Address register. If the slave returns a NACK when it receives the address, the master waits for the time interval established by the Slave Monitor Pause register and attempts to address the slave again. The master continues this cycle until the slave responds with an ACK to its address or until the host clears the SLVMON bit in the Control register. If the addressed slave responds with an ACK, the I2C interface terminates the transfer by generating a STOP condition and a SLV\_RDY interrupt.

### 20.2.4 Slave Mode

The I2C interface is set up as a slave by clearing the MS bit in the Control register. The I2C slave must be given a unique identifying address by writing to the I2C address register. The SCL speed must also be set up at least as fast as the fastest SCL frequency expected to be seen. When in slave mode, the I2C interface operates as either a slave transmitter or a slave receiver.

#### Slave Transmitter

The slave becomes a transmitter after recognizing the entire slave address sent by the master and when the R/W field in the last address byte sent is High. This means that the slave has been requested to send data over the I2C bus and the host is notified of this through an interrupt through an interrupt to the GIC (refer to [Figure 20-1, page 592](#)). At the same time, the SCL line is held Low to allow the host to supply data to the I2C slave before the I2C master starts sampling the SDA line. The host is notified of this event by setting the DATA interrupt flag.

At the same time, the SCL line is held Low to allow the host to supply data to the I2C slave before the I2C master starts sampling the SDA line.

The host must supply data for transmission through the I2C data register so that the SCL line is released and transfer continues. If it does not write to the I2C data register before the timeout period expires, an interrupt is generated and a TO interrupt flag is set.

After the host writes to the I2C data register, the transfer continues by loading data in the FIFO while the transfer is in progress. The amount of data loaded in the FIFO might be a known system parameter or communicated in advance through a higher level protocol using the I2C bus.

When there are only two valid bytes left in the FIFO for transmission, an interrupt is generated and the DATA interrupt flag is set. If the I2C master returns a NACK on the last byte transmitted from the FIFO, an interrupt is generated, and the COMP interrupt flag is set as soon as the I2C master generates a STOP condition.

The transfer must continue if the master acknowledges on the last byte sent out from the FIFO. At that moment, the DATA interrupt flag is set. The TXDV flag in the Status register is cleared because the FIFO is empty.

If the I2C master terminates the transfer before all of the data in the FIFO is sent by the slave, the host is notified, and the NACK interrupt flag is set while TXDV remains set and the Transfer Size register indicates the remaining bytes in the FIFO. The host must set the CLR\_FIFO bit in the Control register to clear the FIFO and the TXDV bit.

## Slave Receiver

The slave becomes a receiver after recognizing the entire slave address sent by the master and when the R/W bit in the first address byte is Low. This means that the master is about to send one or more data bytes to the slave over the I2C bus.

After a byte is acknowledged by the I2C slave, the RXDV bit in the Status register is set, indicating that new data has been received. The host reads the received data through the I2C Data register. An interrupt is generated and the DATA interrupt flag is set when there are only two free locations left in the FIFO.

Whenever the I2C master generates a STOP condition, an interrupt is generated and the COMP interrupt flag is set. The Transfer Size register then contains the number of bytes received that are available in the FIFO. This number is decremented by the host on each read of the I2C Data register.

If the FIFO is full when one or more bytes are received by the I2C interface, an interrupt is generated and the RX\_OVF interrupt flag is set. The last byte received is not acknowledged and the data in the FIFO is kept intact.

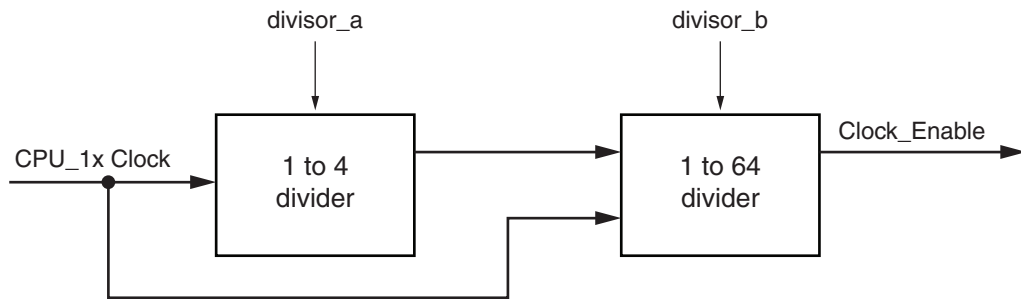
The HOLD bit can be set in the Control register to avoid overflow conditions when it is impossible to respond to interrupts in a reasonable time. If the HOLD bit is set, the I2C interface keeps the SCL line Low until the host clears resources for data reception. This prevents the master from continuing with the transfer, causing an overflow condition in the slave. The host clears resources for data reception by reading the data register.

If the HOLD bit is set and the I2C interface keeps the SCL line Low for longer than the timeout period, an interrupt is generated and the TO interrupt flag is set.

## 20.2.5 I2C Speed

The main clock used within the I2C interface is the clock enable signal (see [Figure 20-3](#)).

- In slave mode, the clock enable is used to extract synchronization information for correct sampling of the SDA line.
- In master mode, the clock enable is used to establish a time base for generating the desired SCL frequency.



UG585\_c20\_03\_022912

Figure 20-3: I2C Clock Generator

The frequency of the clock\_enable signal is defined by the frequency of the CPU\_1x clock and the values of divisor\_a and divisor\_b using [Equation 20-1](#)

$$FreqClock\_Enable = \frac{FreqCPU\_1x}{(divisor\_a + 1) \times (divisor\_b + 1)} \quad \text{Equation 20-1}$$

**Note:** As seen from the above calculation, the SCL clock frequency range is limited by the cpu\_1x clock. This means that for some cpu\_1x clock rates there will be some SCL frequencies that are not possible.

See I2C register map in [Appendix B, Register Details](#) for details of register fields.

[Table 20-1](#) lists the calculated values for standard and high speed SCL clock values. A programming example is provided in Section 20.3.2.

$$I2C\ SCL\ Clock = CPU\_1X\_Clock / (22 * (divisor\_a + 1) * (divisor\_b + 1))$$

Table 20-1: Calculated Values for Standard and High Speed SCL Clock Values

I2C SCL Clock	CPU_1X_Clock	divisor_a	divisor_b
100 KHz	111 MHz	2	16
400 KHz	111 MHz	0	12
100 KHz	133 MHz	0	60
400 KHz	133 MHz	2	4
100 KHz	166 MHz	3	16

## 20.2.6 Multi-Master Operation

In I2C multi master mode, the bus is shared with other masters. In this mode, the I2C clock (I2C\_SCL) is driven by the device that acts as the master.

## 20.2.7 I2C0-to-I2C1 Connection

The I/O signals of the two I2C controllers in the PS are connected together when the slcr.MIO\_LOOPBACK [I2C0\_LOOP\_I2C1] bit is set = 1. In this mode, the serial clocks are connected together and the serial data signals are connected together.

## 20.2.8 Status and Interrupts

The registers i2c.Interrupt\_status\_reg0, i2c.Intrpt\_mask\_reg0, i2c.Intrpt\_enable\_reg0 and i2c.Intrpt\_disable\_reg0 provide interrupt capability. See Table 20-2 for Interrupt and Status register names and bit assignments.

Table 20-2: Interrupt and Status Register Names and Bit Assignments

15	14	13	12	11	10	9	8	7	6	5	4	3	2	1	0
i2c.Interrupt_status_reg0															
i2c.Intrpt_mask_reg0															
i2c.Intrpt_enable_reg0															
i2c.Intrpt_disable_reg0															
X	X	X	X	X	X	ARB_LOST	X	RX_UNF	TX_OVF	RX_OVF	SLV_RDY	TO	NACK	DATA	COMP
i2c.Status_reg0															
X	X	X	X	X	X	X	BA	RXOVF	TXDV	RXDV	X	RX_RW	X	X	X

### Interrupt Mask Register

Intrpt\_mask\_reg0 is a read-only interrupt mask register used to enable/disable individual interrupts in the i2c.interrupt\_status\_reg0 register:

- If the mask bit = 0, the interrupt is enabled.
- If the mask bit = 1, the interrupt is disabled.

This mask is controlled by the write-only Intrpt\_enable\_reg0 and Intrpt\_disable\_reg0 registers.

Each associated enable/disable interrupt bit should be set mutually exclusive (e.g., to enable an interrupt, write 1 to Intrpt\_enable\_reg0[x] and write 0 to Intrpt\_disable\_reg0[x]).

## Interrupt Status Register

All the bits are sticky.

- Read: Reads interrupt status.
- Write: Write 1 to clear

## Status Register

All bits present the raw status of the interface. Bits in this register dynamically change based on FIFO and other conditions.

---

## 20.3 Programmer's Guide

### 20.3.1 Start-up Sequence

1. **Reset controller:** Programming resets is described in section [20.4.2 Reset Controller](#).
2. **Configure I/O signal routing:** I2C signals SCL and SDA can be routed to either MIO or EMIO. Refer to [Table 20-4](#). Example of I2C SCL and SDA signal routed to MIO is provided in section [20.5.1 Pin Programming](#).
3. **Configure Clocks:** The I2C clock architecture is described in section [20.4.1 Clocks](#).
4. **Controller Configuration:** Program I2C transfer parameters using `i2c.Control_reg0` etc. Refer to section [20.4.2 Reset Controller](#).
5. **Configure Interrupts:** Interrupts help to control data in FIFO. Refer to section [20.2.8 Status and Interrupts](#) and programming example in section [20.3.3 Configure Interrupts](#).
6. **Data Transfers:** Transfers in master mode and slave monitor mode can be referred in section [20.3.4 Data Transfers](#).

### 20.3.2 Controller Configuration

The user should choose interface mode, addressing mode, direction of transfer, timeout, and program the I2C bus speed before initiating an I2C transfer. Optionally, the user can clear FIFOs and hold the bus if required, in case of large data or combined transfers.

#### Example: Master Write Transfer

1. **Configure the Control parameters.** Write `0x0000_324E` to the `i2c.Control_reg0` register:
  - a. Select Master mode: Set `i2c.Control_reg0[MS]` = 1.
  - b. Set Direction of transfer as Master Transmitter: Set `i2c.Control_reg0[RW]` = 0.
  - c. Select Normal Addressing [7-bit] mode: Set `i2c.Control_reg0[NEA]` = 1.
  - d. Enable the transmission of ACK: Set `i2c.Control_reg0[ACKEN]` = 1.

- e. Clear the FIFOs: Set `i2c.Control_reg0[CLR_FIFO] = 1`.
- f. Program the clock divisors:
  - Set `i2c.Control_reg0[divisor_a] = 0`.
  - Set `i2c.Control_reg0[divisor_b] = 50`.

These divisors generate an I2C SCL of 99 KHz using the CPU\_1X clock of 111 MHz. For further details refer to section [20.2.5 I2C Speed](#).

2. **Configure Timeout.** Write `0x0000_00FF` to the `i2c.Time_out_reg0` register. Wait 255 SCL cycles when the SCL is held Low, before generating a timeout interrupt.

### 20.3.3 Configure Interrupts

The interrupts are described in section [20.2.8 Status and Interrupts](#). The `i2c.Intrpt_enable_reg0` register has bits to enable the interrupt mask and `i2c.Intrpt_disable_reg0` has bits to forcefully disable the interrupts. Each pair of bits should be set mutually exclusive:

#### Example: Program Example to Configure Completion Interrupt

1. **Enable the completion interrupt.** Set the enable bit, clear the disable bit, and verify the mask value:
  - a. Set `i2c.Intrpt_enable_reg0[COMP] = 1`.
  - b. Clear `i2c.Intrpt_disable_reg0[COMP] = 0`.
  - c. `i2c.intrpt_mask_reg0[COMP]` reads back = 1.
2. **Disable the completion interrupt.** Set the enable bit, clear the disable bit, and verify the mask value:
  - a. Set `i2c.Intrpt_disable_reg0[COMP] = 1`.
  - b. Clear `i2c.Intrpt_enable_reg0[COMP] = 0`.
  - c. `i2c.Intrpt_mask_reg0[COMP]` reads back = 0.
3. **Monitor completion interrupt.** `i2c.Interrupt_status_reg0` provides status of completion interrupt.:
  - a. Read `i2c.Interrupt_status_reg0 [COMP]`. 1 indicates that an interrupt occurred.
4. **Clear completion interrupt.** Write 1 to the `i2c.Interrupt_status_reg0[COMP]` bit field.

### 20.3.4 Data Transfers

Transfers can be achieved in polled mode or interrupt driven mode. Limitation on data count while performing a master read transfer is 255 bytes. Below are examples of read and write transfer in Master mode and example for Slave Monitor mode. Refer to section [20.2.3 Slave Monitor Mode](#) for details.

#### Example: Master Read Using Polled Method

1. **Set direction of transfer as read and clear the FIFOs.** Write `0x41` to `i2c.Control_reg0`.



2. **Clear interrupts.** Read and write back the read value to `i2c.Interrupt_status_reg0`.
3. **Write read data count to transfer size register and hold bus if required.** Write read data count value to `i2c.Transfer_size_reg0`. If read data count greater than FIFO depth, set `i2c.Control_reg0 [HOLD] = 1`.
4. **Write the slave address.** Write the address to the `i2c.I2C_address_reg0` register.
5. **Wait for data to be received into the FIFO.** Poll on `i2c.Status_reg0 [RXDV] = 1`.
  - a. If `i2c.Status_reg0 [RXDV] = 0`, and any of `i2c.Interrupt_status_register [NACK]`, `i2c.Interrupt_status_register [ARB_LOST]`, `i2c.Interrupt_status_register [RX_OVF]`, `i2c.Interrupt_status_register [RX_UNF]` interrupts are set, then stop the transfer and report the error, otherwise continue to poll on `i2c.Status_reg0 [RXDV]`.
  - b. If `i2c.Status_reg0 [RXDV] = 1`, and if any of `i2c.Interrupt_status_register [NACK]`, `i2c.Interrupt_status_register [ARB_LOST]`, `i2c.Interrupt_status_register [RX_OVF]`, `i2c.Interrupt_status_register [RX_UNF]` interrupts are set, then stop the transfer and report the error. Otherwise, go to step 6.
6. **Read data and update count.** Read data from FIFO until `i2c.Status_reg0[RXDV] = 1`. Decrement the read data count and if it is less than or equal to the FIFO depth, clear `i2c.Control_reg0[HOLD]`.
7. **Check for Completion of transfer.** If total read count reaches zero, poll on `i2c.Interrupt_status_reg0 [COMP] = 1`. Otherwise continue from step 5.

#### Example: Master Write Using Polled Method

1. **Set Direction of transfer as write and Clear the FIFO's.** Write `0x40` to `i2c.Control_reg0`.
2. **Clear Interrupts.** Read and write back the read value to `i2c.Interrupt_status_reg0`.
3. **Calculate the space available in FIFO.** Subtract `i2c.Transfer_size_reg0` value from FIFO depth.
4. **Fill the data into FIFO.** Write the data to `i2c.I2C_data_reg0` based on the count obtained in step 3.
5. **Write the Slave Address.** Write the address to `i2c.I2C_address_reg0` register.
6. **Wait for TX FIFO to be empty.** Poll on `i2c.Status_reg0 [TXDV] = 0`.
  - a. If `i2c.Status_reg0 [TXDV] = 1`, any of `i2c.Interrupt_status_register [NACK]`, `i2c.Interrupt_status_register [ARB_LOST]`, `i2c.Interrupt_status_register [RX_OVF]`, `i2c.Status_register [TX_OVF]` are set, then stop the transfer and report the error otherwise continue to poll.
  - b. If `i2c.Status_reg0 [TXDV] = 0`, repeat step 3, 4 and 6 until there is no further data.
7. **Wait for completion of transfer.** Check for `i2c.Interrupt_status_reg0 [COMP] = 1`.

#### Example: Master Read Using Interrupt Method

1. **Set direction of transfer as read and clear the FIFO's.** Write `0x41` to `i2c.Control_reg0`.
2. **Clear interrupts.** Read and write back the read value to `i2c.Interrupt_status_reg0`.
3. **Enable Timeout, NACK, Rx overflow, Arbitration lost, DATA, Completion interrupts.** Write `0x22F` to `i2c.Intrpt_en_reg0`.
4. **Write read data count to transfer size register and hold bus if required.** Write read data count value to `i2c.Transfer_size_reg0`. If read data count greater than FIFO depth, set `i2c.Control_reg0 [HOLD]`.

5. **Write the slave address.** Write the address to the `i2c.I2C_address_reg0` register.
6. **Wait for data to be received into FIFO.**
  - a. If read data count is greater than FIFO depth, wait for `i2c.Interrupt_status_reg0 [DATA] = 1`. Read 14 bytes from FIFO. Decrement the read data count by 14 and if it is less than or equal to the FIFO depth, clear `i2c.Control_reg0[HOLD]`
  - b. Otherwise, wait for `i2c.Interrupt_status_reg0 [COMP] = 1` and read data from the FIFO based on the read data count.
7. **Check for completion of transfer.** Check if read count reaches zero. Otherwise repeat from step 6.

### Example: Master Write Using Interrupt Method

1. **Set direction of transfer as write and clear the FIFO's.** Write `0x40` to `i2c.Control_reg0`.
2. **Clear Interrupts.** Read and write back the read value to `i2c.Interrupt_status_reg0`.
3. **Enable Timeout, NACK, Tx Overflow, Arbitration lost, DATA, Completion interrupts.** Write `0x24F` to the `i2c.Intrpt_en_reg0` register.
4. **Enable bus HOLD logic.** Set `i2c.Control_reg0 [HOLD]` if the write data count is greater than the FIFO depth.
5. **Calculate the space available in FIFO.** Subtract the `i2c.Transfer_size_reg0` value from the FIFO depth.
6. **Fill the data into FIFO.** Write the data to `i2c.I2C_data_reg0` based on the count obtained in step 5.
7. **Write the slave address.** Write the address to the `i2c.I2C_address_reg0` register.
8. **Wait for data to be sent.** Check for `i2c.Interrupt_status_reg0 [COMP]` to be set.
  - a. If further data is to be written, repeat steps 5, 6 and 8.
  - b. If there is no further data, set `i2c.Control_reg0 [HOLD] = 0`.
9. **Wait for completion of transfer.** Check for `i2c.Interrupt_status_reg0 [COMP]` to be set.

### Example: Slave Monitor Mode

Slave monitor mode helps to monitor when the slave is in the busy state. The slave ready interrupt occurs only when slave is not busy. This can be done only in master mode:

1. **Select slave monitor mode and clear the FIFOs.** Write `0x60` to `i2c.Control_reg0`.
2. **Clear interrupts.** Read and write back the read value to `i2c.Interrupt_status_reg0`.
3. **Enable Interrupts.** Set `i2c.Intrpt_en_reg0 [SLV_RDY] = 1`.
4. **Set slave monitor delay.** Set `i2c.Slave_mon_pause_reg0` with `0xF`.
5. **Write the Slave Address.** Write the address to the `i2c.I2C_address_reg0` register.
6. **Wait for slave to be ready.** Poll on `i2c.Interrupt_status_reg0 [SLV_RDY] = 1`.

## 20.3.5 Register Overview

An overview of the I2C registers is provided in [Table 20-3](#).

Table 20-3: I2C Register Overview

Function	Register Names	Overview
Configuration	Control_reg0	Configure the operating mode
Data	I2C_address_reg0 I2C_data_reg0 Transfer_size_register0 Slave_mon_pause_reg0 Time_out_reg0 Staus_reg0	Transfer data and monitors status.
Interrupt Processing	Interrupt_status_reg0 Interrupt_mask_reg0 Interrupt_enable_reg0 Interrupt_disable_reg0	Enable/disable interrupt detection, mask interrupt set to the interrupt controller, read raw interrupt status.

## 20.4 System Functions

### 20.4.1 Clocks

The controller, I/O interface and APB interconnect are driven by CPU\_1X clock. This clock comes from the PS clock subsystem.

#### PS Clock Subsystem

#### CPU\_1x Clock

Refer to section [25.2 CPU Clock](#), for general clock programming information.

#### Operating Restrictions

The clock operating restrictions are described in section [20.1.3 Notices](#).

### 20.4.2 Reset Controller

The controller reset bits are generated by the PS, see [Chapter 26, Reset System](#).

#### Example: Controller Reset

1. **Assert Controller Reset:** Set slcr.I2C\_RST\_CTRL[I2Cx\_CPU1X\_RST] bit = 1.
2. **De-assert Controller Reset:** Clear slcr.I2C\_RST\_CTRL[I2Cx\_CPU1X\_RST] bit = 0.

## 20.5 I/O Interface

### 20.5.1 Pin Programming

The I2C SCL and SDA signals can be routed to one of many sets of MIO pins or to the EMIO interface. All of the I2C signals are listed in [Table 20-2](#). The routing of the SCL and SDA signals are described in section [2.5 PS-PL MIO-EMIO Signals and Interfaces](#).

#### Example: Route I2C 0 SCL and SDA Signals to MIO Pins 50, 51

In this example, the I2C 0 SCL and SDA signals are routed through MIO pins 50 and 51. Many other pin options are possible.

1. **Configure MIO pin 50 for the SCL signal.** Write `0x0000_1240` to the `slcr.MIO_PIN_50` register:
  - a. Route I2C 0 SCL signal to pin 50.
  - b. 3-state controlled by I2C (set `TRI_ENABLE = 0`).
  - c. LVCMOS18 (refer to the register definition for other voltage options).
  - d. Slow CMOS edge (benign setting).
  - e. Enable internal pull-up resistor.
  - f. Disable HSTL receiver.
2. **Configure MIO pin 51 for the SDA signal.** Write `0x0000_1240` to the `slcr.MIO_PIN_51` register:
  - a. Route I2C 0 SDA signal to pin 51.
  - b. 3-state controlled by the I2C (set `TRI_ENABLE = 0`).
  - c. LVCMOS18 (refer to the register definition for other voltage options).
  - d. Slow CMOS drive edge.
  - e. Enable internal pull-up resistor.
  - f. Disable HSTL receiver.

### 20.5.2 MIO-EMIO Interfaces

[Table 20-4](#) identifies the interface signals to the I2C controller. The MIO pins and any restrictions based on device version are shown in the MIO table in section [2.5.4 MIO-at-a-Glance Table](#).

Table 20-4: I2C MIO Pins and EMIO Signals

I2C Interface	Default Controller Input Value	MIO Pins Numbers	I/O	EMIO Signals	
				Name	I/O
I2C 0, Serial Clock	0	10, 14, 18, 22, 26, 30, 34, 38, 42, 46, 50	IO	EMIOI2C0SCLI	O
				EMIOI2C0SCLO	I
				EMIOI2C0SCLTN	I

Table 20-4: I2C MIO Pins and EMIO Signals (Cont'd)

I2C Interface	Default Controller Input Value	MIO Pins		EMIO Signals	
		Numbers	I/O	Name	I/O
I2C 0, Serial Data	~	11, 15, 19, 23, 27, 31, 35, 39, 43, 47, 51	IO	EMIOI2C0SDAI	O
				EMIOI2C0SDAO	I
				EMIOI2C0SDATN	I
I2C 1, Serial Clock	0	12, 16, 20, 24, 28, 32, 36, 40, 44, 48, 52	IO	EMIOI2C1SCLI	O
				EMIOI2C1SCLO	I
				EMIOI2C1SCLTN	I
I2C 1, Serial Data	~	13, 17, 21, 25, 29, 33, 37, 41, 45, 49, 53	IO	EMIOI2C1SDAI	O
				EMIOI2C1SDAO	I
				EMIOI2C1SDATN	I

# Programmable Logic Description

---

## 21.1 Introduction

The Zynq®-7000 AP SoC devices integrates a feature-rich dual-core ARM® Cortex™-A9 MPCore™ based processing system (PS) and Xilinx programmable logic (PL) in a single device. Each Zynq-7000 device contains the same PS while the PL and I/O resources vary between the devices. The PL of the three smallest devices, the 7z010, 7x015, and 7z020, is based on Artix®-7 FPGA logic. The three biggest devices, the 7z030, 7z045, and 7z100 are based on Kintex®-7 FPGA logic. For details about resources, refer to [DS190](#), *Zynq-7000 All Programmable SoC Overview*.

The PS and PL can be tightly or loosely coupled using multiple interfaces and other signals that have a combined total of over 3,000 connections. This enables the designer to effectively integrate user-created hardware accelerators and other functions in the PL logic that are accessible to the processors and can also access memory resources in the PS. Zynq customers are able to differentiate their product in hardware by customizing their applications using PL.

The processors in the PS always boot first, allowing a software centric approach for PL configuration. The PL can be configured as part of the boot process or configured at some point in the future. Additionally, the PL can be completely reconfigured or used with partial, dynamic reconfiguration (PR). PR allows configuration of a portion of the PL. This enables optional design changes such as updating coefficients or time-multiplex the PL resources by swapping in new algorithms as needed. This latter capability is analogous to the dynamic loading and unloading of software modules. The PL configuration data is referred to as a bitstream.

The PL can be on a separate power domain from the PS. This enables users to save power by completely shutting down the PL. In this mode, the PL consumes no static or dynamic power, thus significantly reducing the power consumption of the device. The PL must be reconfigured when coming out of this mode. Users need to take into account the re-configuration time of the PL for their particular application as this varies depending on the size of the bitstream for their application.

### 21.1.1 Features

The PL provides a rich architecture of user-configurable capabilities. The key features are:

- Configurable logic blocks (CLB)
  - 6-input look-up tables (LUTs)
  - Memory capability within the LUT
  - Register and shift register functionality

- Cascadable adders
- 36 KB block RAM
  - Dual port
  - Up to 72 bit-wide
  - Configurable as dual 18 KB
  - Programmable FIFO logic
  - Built-in error correction circuitry
- Digital signal processing – DSP48E1 Slice
  - 25 × 18 two's complement multiplier/accumulator high-resolution 48-bit multiplier/accumulator
  - Power saving 25-bit pre-adder to optimize symmetrical filter applications
  - Advanced features: optional pipelining, optional ALU, and dedicated buses for cascading
- Clock management
  - High-speed buffers and routing for low-skew clock distribution
  - Frequency synthesis and phase shifting
  - Low-jitter clock generation and jitter filtering
- Configurable I/Os
  - High-performance SelectIO technology
  - High-frequency decoupling capacitors within the package for enhanced signal integrity
  - Digitally controlled impedance that can be 3-stated for lowest power, high-speed I/O operation
  - High-range (HR) I/O supporting 1.2V to 3.3V
  - High performance (HP) I/Os support 1.2V to 1.8V (7z030, 7z045, and 7z100 devices)
- Low-power serial transceivers (7z015, 7z030, 7z045 and 7z100 devices)
  - High-performance transceivers capable of up to 12.5 Gb/s (GTX) in 7z030, 7z045, and 7z100 devices.
  - High-performance transceivers capable of up to 6.25 Gb/s (GTP) in 7z015 device.
  - Low-power mode optimized for chip-to-chip interfaces
  - Advanced transmit pre and post emphasis, and receiver linear (CTLE) and decision feedback equalization (DFE), including adaptive equalization for additional margin
- Integrated interface block for PCI Express designs
  - Compatible with the PCI Express Base Specification 2.1 with Endpoint and Root Port capability
  - Supports Gen2 (5.0 Gb/s)
  - Advanced configuration options, advanced error reporting (AER), and end-to-end CRC (ECRC) advanced error reporting and ECRC features

## 21.1.2 PL Resources by Device Type

The PL resources on a per-device type are summarized in [Table 21-1](#).

Table 21-1: PL Resources by Device Type

Resource	7z010	7z015	7z020	7z030	7z045	7z100
<b>Logic Slices</b>						
Total	4,400	11,550	13,300	19,650	54,650	69,350
Type L	2,900	7,950	8,950	13,000	37,050	42,300
Type M	1,500	3,600	4,350	6,650	17,600	27,050
<b>LUTs</b>						
Total	17,600	46,200	53,200	78,600	218,600	277,400
Flip-flops	35,200	92,400	106,400	157,200	437,200	554,800
Logic Cells	28,160	73,920	85,120	125,760	349,760	443,840
LUTRAM Kb	375	900	1,088	1,663	4,400	6,763
SRL Kb	188	450	544	831	2,200	3,381
<b>Memory Resources</b>						
Block RAM count	60	95	140	265	545	755
Kb	2,160	3,420	5,040	9,540	19,620	27,180
KB	240	380	560	1,060	2,180	3,020
Columns per Device	5	5	6	8	9	12
Block RAMs per column	Varies, usually 20	Varies, usually 30	Varies, usually 30	Varies, usually 40	Varies, usually 70	Varies, usually 70
<b>Clocking</b>						
MMCM/PLL count	2	3	4	5	8	8
<b>DSPs (DSP48E1)</b>						
Count	80	160	220	400	900	2,020
Columns per device	4	4	5	6	7	15
DSPs per column	Varies, usually 40	Varies, usually 60	Varies, usually 60	Varies, usually 80	Varies, usually 140	Varies, usually 140
<b>Gigabit Transceivers</b>						
GTP	0	4	0	0	0	0
GTX	0	0	0	4	16	16
PCIe capable	no	yes	no	yes	yes	yes
<b>Select I/O<sup>(1)</sup></b>						
Bank count	2	3	4	5	8	8
1.8V to 3.3V HR	100	150	200	100	250	250



Table 21-1: PL Resources by Device Type (Cont'd)

Resource	7z010	7z015	7z020	7z030	7z045	7z100
1.8V HP	0	0	0	150	150	150

**Notes:**

1. This table shows the maximum I/Os that are available for each device type. The package size might restrict the SelectIO pin counts, refer to [UG865, Zynq-7000 AP SoC Packaging Guide](#).

## 21.1.3 Notices

### XADC Analog Mixed Signal Module (AMS)

The XADC is physically located in the PL and is powered by the PL. To use the XADC module, the PL must be powered up, but the PL does not need to be configured. The XADC is explained in [Chapter 30, XADC Interface](#).

### Device Configuration (DevC)

The device configuration module (with option to use AES/HMAC decryption) is physically located in the PL and is powered by the PL. To use the device configuration module, the PL must be powered up but does not need to be configured. Device configuration is explained in section [6.4 Device Configuration Functions and Operations](#).

## 21.2 PL Components

### 21.2.1 CLBs, Slices, and LUTs

Some key features of the Configurable Logic Blocks (CLB) architecture include:

- True 6-input Look Up Tables (LUT)s
- Memory capability within the LUT
- Register and shift register functionality

The LUTs in the Zynq-7000 AP SoC can be configured as either one 6-input LUT (64-bit ROMs) with one output, or as two 5-input LUTs (32-bit ROMs) with separate outputs but common addresses or logic inputs. Each LUT output can optionally be configured to drive a flip-flop. A single LUT contains two flip-flops, a multiplexer (mux), and arithmetic carry logic. Two LUTs form a slice. And two slices form a Configurable Logic Block (CLB). Each LUT can have one of its two flip-flops configured as a latch.

Between 25–50% of all slices can use their LUTs as distributed 64-bit RAM, as 32-bit shift register (SRL32), or as two 16-bit shift registers (SRL16). Modern synthesis tools take advantage of these highly efficient logic, arithmetic, and memory features.

For more details on Configuration Logic Blocks, see [UG474, 7 Series FPGAs Configurable Logic Block User Guide](#).

## 21.2.2 Clock Management

Some of the key highlights of the clock management architecture include:

- High-speed buffers and routing for low-skew clock distribution
- Frequency synthesis and phase shifting
- Low-jitter clock generation and jitter filtering

Each Zynq-7000 AP SoC device has up to eight clock management tiles (CMTs), each consisting of one mixed-mode clock manager (MMCM) and one phase-locked loop (PLL).

### Mixed-Mode Clock Manager and Phase-Locked Loop

The mixed-mode clock manager (MMCM) and the phase-locked loop (PLL) share many characteristics. Both can serve as a frequency synthesizer for a wide range of frequencies and as a jitter filter for incoming clocks. At the center of both components is a voltage-controlled oscillator (VCO), which speeds up and slows down depending on the input voltage it receives from the phase frequency detector (PFD).

There are three sets of programmable frequency dividers: D, M, and O. The pre-divider D (programmable by configuration and afterwards via Dynamic Configuration Port (DRP)) reduces the input frequency and feeds one input of the traditional PLL phase/frequency comparator. The feedback divider M (programmable by configuration and afterwards via DRP) acts as a multiplier because it divides the VCO output frequency before feeding the other input of the phase comparator. The values of D and M must be chosen appropriately to keep the VCO within its specified frequency range.

The VCO has eight equally-spaced output phases (0°, 45°, 90°, 135°, 180°, 225°, 270°, and 315°). Each can be selected to drive one of the output dividers (six for the PLL, O0 to O5, and seven for the MMCM, O0 to O6), each programmable by configuration to divide by any integer from 1 to 128.

The MMCM and PLL have three input-jitter filter options: Low-bandwidth mode which has the best jitter attenuation; high-bandwidth mode, which has the best phase offset; and optimized mode, which allows the tools to find the best setting.

### MMCM Additional Programmable Features

The MMCM can have a fractional counter in either the feedback path (acting as a multiplier) or in one output path. Fractional counters allow non-integer increments of 1/8 and can thus increase frequency synthesis capabilities by a factor of eight.

The MMCM can also provide fixed or dynamic phase shift in small increments that depend on the VCO frequency. At 1,600 MHz, the phase-shift timing increment is 11.2 ps.

## Clock Distribution

Each Zynq-7000 AP SoC device provides six different types of clock lines (BUFG, BUFR, BUFIO, BUFH, BUFMR, and the high-performance clock) to address the different clocking requirements of high fanout, short propagation delay, and extremely low skew.

### Global Clock Lines

In each Zynq-7000 AP SoC device, 32 global clock lines have the highest fanout and can reach every flip-flop clock, clock enable, and set/reset as well as many logic inputs. There are 12 global clock lines within any clock region driven by the horizontal clock buffers (BUFH). Each BUFH can be independently enabled/disabled, allowing for clocks to be turned off within a region, thereby offering fine-grain control over which clock regions consume power. Global clock lines can be driven by global clock buffers, which can also perform glitchless clock multiplexing and clock enable functions. Global clocks are often driven from the CMT, which can completely eliminate the basic clock distribution delay.

### Regional Clocks

Regional clocks can drive all clock destinations in their region. A region is defined as any area that is 50 I/O and 50 CLB high and half the device wide. Zynq-7000 AP SoC devices have between eight and twenty-four regions. There are four regional clock tracks in every region. Each regional clock buffer can be driven from either of four clock-capable input pins, and its frequency can optionally be divided by any integer from 1 to 8.

### I/O Clocks

I/O clocks are especially fast and serve only I/O logic and serializer/deserializer (SerDes) circuits, as described in [Input/Output](#).

Direct connection from the MMCM to the I/O is provided for low-jitter, high-performance interfaces.

For more details on clocking resources, see [UG472, Series FPGAs Clocking Resources User Guide](#).

## 21.2.3 Block RAM

Some of the key features of the block RAM include:

- Dual-port 36 KB block RAM with port widths of up to 72
- Programmable FIFO logic
- Built-in optional error correction circuitry

Every Zynq-7000 AP SoC device has between 60 and 465 dual-port block RAMs, each storing 36 Kb. Each block RAM has two completely independent ports that share nothing but the stored data.

### Synchronous Operation

Each memory access, read or write, is controlled by the clock. All inputs, data, address, clock enables, and write enables are registered. The input address is always clocked, retaining data until the next

operation. An optional output data pipeline register allows higher clock rates at the cost of an extra cycle of latency.

During a write operation, the data output can reflect either the previously stored data, the newly written data, or can remain unchanged.

## Programmable Data Width

Each port can be configured as 32K × 1, 16K × 2, 8K × 4, 4K × 9 (or x8), 2K × 18 (or x16), 1K × 36 (or 32), or 512 × 72 (or x64). The two ports can have different widths without any constraints.

Each block RAM can be divided into two completely independent 18 Kb block RAMs that can each be configured to any aspect ratio from 16K × 1 to 512 × 36. Everything described previously for the full 36 Kb block RAM also applies to each of the smaller 18 Kb block RAMs.

Only in simple dual-port (SDP) mode can data widths of greater than 18 bits (18 Kb RAM) or 36 bits (36 Kb RAM) be accessed. In this mode, one port is dedicated to read operations, the other to write operations. In SDP mode, one side (read or write) can be variable, while the other is fixed to 32/36 or 64/72.

Both sides of the dual-port 36 Kb RAM can be of variable width.

Two adjacent 36 Kb block RAMs can be configured as one 64K × 1 dual-port RAM without any additional logic.

## Error Detection and Correction

Each 64-bit-wide block RAM can generate, store, and utilize eight additional Hamming code bits and perform single-bit error correction and double-bit error detection (ECC) during the read process. The ECC logic can also be used when writing to or reading from external 64- to 72-bit-wide memories.

## FIFO Controller

The built-in FIFO controller for single-clock (synchronous) or dual-clock (asynchronous or multirate) operation increments the internal addresses and provides four handshaking flags: full, empty, almost full, and almost empty. The almost full and almost empty flags are freely programmable. Similar to the block RAM, the FIFO width and depth are programmable, but the write and read ports always have identical width.

First word fall-through mode presents the first-written word on the data output even before the first read operation. After the first word has been read, there is no difference between this mode and the standard mode.

For more details on Block RAM, see [UG473](#), *7 Series FPGAs Memory Resources User Guide*.

## 21.2.4 Digital Signal Processing — DSP Slice

Some highlights of the DSP functionality include:

- 25 × 18 two's complement multiplier/accumulator high-resolution (48 bit) signal processor
- Power saving pre-adder to optimize symmetrical filter applications
- Advanced features: optional pipelining, optional ALU, and dedicated buses for cascading

DSP applications use many binary multipliers and accumulators, best implemented in dedicated DSP slices. All Zynq-7000 AP SoC devices have many dedicated, full custom, low-power DSP slices, combining high speed with small size while retaining system design flexibility.

Each DSP slice fundamentally consists of a dedicated 25 × 18 bit two's complement multiplier and a 48-bit accumulator. The multiplier can be dynamically bypassed, and two 48-bit inputs can feed a single-instruction-multiple-data (SIMD) arithmetic unit (dual 24-bit or quad 12-bit adder/subtractor/accumulator), or a logic unit that can generate any one of ten different logic functions of the two operands.

The DSP includes an additional pre-adder, typically used in symmetrical filters. This pre-adder improves performance in densely packed designs and reduces the DSP slice count by up to 50%. The DSP also includes a 48-bit-wide pattern detector that can be used for convergent or symmetric rounding. The pattern detector is also capable of implementing 96-bit-wide logic functions when used in conjunction with the logic unit.

The DSP slice provides extensive pipelining and extension capabilities that enhance the speed and efficiency of many applications beyond digital signal processing, such as wide dynamic bus shifters, memory address generators, wide bus multiplexers, and memory-mapped I/O register files. The accumulator can also be used as a synchronous up/down counter.

For more details on DSP slices, see [UG479](#), *7 Series FPGAs DSP48E1 User Guide*.

---

## 21.3 Input/Output

### 21.3.1 PS-PL Interfaces

The PS-PL interface contains all the signals available to the PL designer for integrating the PL-based functions and the PS.

There are two types of interfaces between the PL and the PS:

1. Functional interfaces – available for connecting with user-designed IP blocks in the PL
  - a. AXI interconnect
  - b. Extended MIO interfaces for most of the I/O Peripherals
  - c. Interrupts
  - d. DMA flow control

- e. Clocks
- f. Debug interfaces
2. Configuration interface – connected to fixed logic within the PL configuration block, providing PS control
  - a. PCAP
  - b. Configuration status
  - c. SEU
  - d. Program/Done/Init

For details on PS-PL interfaces refer to [Chapter 2, Signals, Interfaces, and Pins](#).

## Voltage Level Shifters

All of the signals between the PS and PL pass through voltage level shifters. The programming of these level shifters is explained in section [PS-PL Voltage Level Shifters, page 42](#).

## 21.3.2 SelectIO

Some highlights of the input/output functionality include:

- High-performance SelectIO technology with support for 1,866 Mb/s DDR3
- High-frequency decoupling capacitors within the package for enhanced signal integrity
- Digitally controlled impedance that can be 3-stated for lowest power, high-speed I/O operation

The number of I/O pins varies depending on device and package size. Each I/O is configurable and can comply with a large number of I/O standards. With the exception of the supply pins and a few dedicated configuration pins, all other PL pins have the same I/O capabilities, constrained only by certain banking rules. The SelectIO resources in Zynq-7000 AP SoC devices are classed as either high range (HR) or high performance (HP). The HR I/Os offer the widest range of voltage support, from 1.2V to 3.3V. The HP I/Os are optimized for highest performance operation, from 1.2V to 1.8V.

All I/O pins are organized in banks, with 50 pins per bank. Each bank has one common  $V_{CCO}$  output supply, which also powers certain input buffers. Some single-ended input buffers require an internally generated or an externally applied reference voltage ( $V_{REF}$ ). There are two  $V_{REF}$  pins per bank (except configuration bank 0). A single bank can have only one  $V_{REF}$  voltage value.

Zynq-7000 AP SoC devices use a variety of package types to suit the needs of the user, including small form factor wire-bond packages for lowest cost; conventional, high performance flip-chip packages; and lidless flip-chip packages that balance smaller form factor with high performance. In the flip-chip packages, the silicon device is attached to the package substrate using a high-performance flip-chip process. Controlled ESR discrete decoupling capacitors are mounted on the package substrate to optimize signal integrity under simultaneous switching of outputs (SSO) conditions.

## I/O Electrical Characteristics

Single-ended outputs use a conventional CMOS push/pull output structure driving High towards  $V_{CC0}$  or Low towards ground, and can be put into a high-Z state. The system designer can specify the slew rate and the output strength. The input is always active but is usually ignored while the output is active. Each pin can optionally have a weak pull-up or a weak pull-down resistor.

Most signal pin pairs can be configured as differential input pairs or output pairs. Differential input pin pairs can optionally be terminated with a 100 $\Omega$  internal resistor. All Zynq-7000 AP SoC devices support differential standards beyond LVDS: HT, RSDS, BLVDS, differential SSTL, and differential HSTL.

Each of the I/Os supports memory I/O standards, such as single-ended and differential HSTL as well as single-ended SSTL and differential SSTL. The SSTL I/O standard can support data rates of up to 1,866 Mb/s for DDR3 interfacing applications.

### 3-State Digitally Controlled Impedance and Low-Power I/O Features

The 3-state digitally controlled impedance (T\_DCI) can control the output drive impedance (series termination) or can provide parallel termination of an input signal to  $V_{CC0}$  or split (Thevenin) termination to  $V_{CC0}/2$ . This allows users to eliminate off-chip termination for signals using T\_DCI. In addition to board space savings, the termination automatically turns off when in output mode or when 3-stated, saving considerable power compared to off-chip termination. The I/Os also have low-power modes for IBUF and IDELAY to provide further power savings, especially when used to implement memory interfaces.

## I/O Logic

### Input and Output Delay

All inputs and outputs can be configured as either combinatorial or registered. Double data rate (DDR) is supported by all inputs and outputs. Any input and some outputs can be individually delayed by up to 32 increments of 78 ps or 52 ps each.

Such delays are implemented as IDELAY and ODELAY. The number of delay steps can be set by configuration and can also be incremented or decremented while in use. ODELAY is only available for HP Select I/O. It is not available for HR select I/Os. HP Select I/O pins are available in the 7z030, 7z045, and 7z100 devices, refer to [Table 21-1](#).

### ISERDES and OSERDES

Many applications combine high-speed, bit-serial I/O with slower parallel operation inside the device. This requires a serializer and deserializer (SerDes) inside the I/O structure. Each I/O pin possesses an 8-bit IOSERDES (ISERDES and OSERDES) capable of performing serial-to-parallel or parallel-to-serial conversions with programmable widths of 2, 3, 4, 5, 6, 7, or 8 bits. By cascading two IOSERDES from two adjacent pins (default from differential I/O), wider width conversions of 10 and 14 bits can also be supported.

The ISERDES has a special oversampling mode capable of asynchronous data recovery for applications like a 1.25 Gb/s LVDS I/O-based SGMII interface.

For more details on Select I/Os, see [UG471, 7 Series FPGAs SelectIO Resources User Guide](#).

### 21.3.3 GTX Low-Power Serial Transceivers

GTX low-power serial gigabit transceivers are only available in the 7z030, 7z045, and 7z100 devices. The 7z030 has 4 transceivers. The 7z045 and 7z100 devices each has 16 transceivers. The 7z015 device includes 4 GTP low-power serial transceivers. These are described in [21.3.4 GTP Low-Power Serial Transceivers](#). Some highlights of the GTX low-power gigabit transceivers include:

- High-performance transceivers capable of up to 12.5 Gb/s line rates with flipchip packages and up to 6.6Gb/s with bare-die flipchip packages.
- Low-power mode optimized for chip-to-chip interfaces.
- Advanced Transmit pre and post emphasis, and receiver linear (CTLE) and decision feedback equalization (DFE), including adaptive equalization for additional margin

Ultra-fast serial data transmission to optical modules, between ICs on the same PCB, over the backplane, or over longer distances is becoming increasingly popular and important to enable customer line cards to scale to 200 Gb/s. It requires specialized dedicated on-chip circuitry and differential I/O capable of coping with the signal integrity issues at these high data rates.

The Zynq-7000 AP SoC devices transceiver counts range from 0 to 16 transceiver circuits. Each serial transceiver is a combined transmitter and receiver. The various Zynq-7000 serial transceivers can use a combination of ring oscillators and LC tank architecture to allow the ideal blend of flexibility and performance while enabling IP portability across the family members. Lower data rates can be achieved using logic-based oversampling of PL. The serial transmitter and receiver are independent circuits that use an advanced PLL architecture to multiply the reference frequency input by certain programmable numbers between 4 and 25 to become the bit-serial data clock. Each transceiver has a large number of user-definable features and parameters. All of these can be defined during device configuration, and many can also be modified during operation.

#### Transmitter

The transmitter is fundamentally a parallel-to-serial converter with a conversion ratio of 16, 20, 32, 40, 64, or 80. This allows the designer to trade-off datapath width for timing margin in high-performance designs. These transmitter outputs drive the PC board with a single-channel differential output signal. TXOUTCLK is the appropriately divided serial data clock and can be used directly to register the parallel data coming from the internal logic. The incoming parallel data is fed through an optional FIFO and has additional hardware support for the 8B/10B, 64B/66B, or 64B/67B encoding schemes to provide a sufficient number of transitions. The bit-serial output signal drives two package pins with differential signals. This output signal pair has programmable signal swing as well as programmable pre- and post-emphasis to compensate for PC board losses and other interconnect characteristics. For shorter channels, the swing can be reduced to reduce power consumption.

#### Receiver

The receiver is fundamentally a serial-to-parallel converter, changing the incoming bit-serial differential signal into a parallel stream of words, each 16, 20, 32, 40, 64, or 80 bits. This allows the



designers to trade-off internal datapath width versus logic timing margin. The receiver takes the incoming differential data stream, feeds it through programmable linear and decision feedback equalizers (to compensate for PC board and other interconnect characteristics), and uses the reference clock input to initiate clock recognition. There is no need for a separate clock line. The data pattern uses non-return-to-zero (NRZ) encoding and optionally guarantees sufficient data transitions by using the selected encoding scheme. Parallel data is then transferred into the PL using the RXUSRCLK clock. For short channels, the transceivers offers a special low power mode (LPM) for additional power reduction.

## Out-of-Band Signaling

The transceivers provide out-of-band (OOB) signaling, often used to send low-speed signals from the transmitter to the receiver while high-speed serial data transmission is not active. This is typically done when the link is in a powered-down state or has not yet been initialized. This benefits PCI Express and SATA/SAS applications.

For more details on GTX Transceivers, see [UG476](#), *7 Series FPGAs GTX Transceiver User Guide*.

## Placement Information by Device/Package

This section provides position information for available device and package combinations along with the pad numbers for the signals associated with each GTX serial transceiver channel.

### XC7Z30-FBG484 Package Placement Diagram

Figure 21-1 shows the placement diagram for the XC7Z30-FBG484 device.

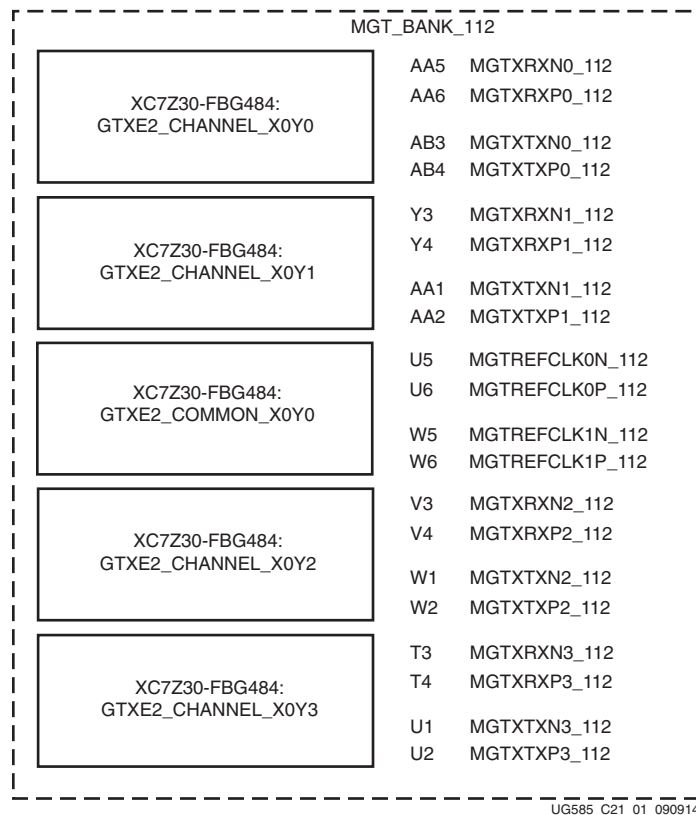


Figure 21-1: XC7Z30-FBG484 Package Placement Diagram

### XC7Z30-FBG676/FFG676 Package Placement Diagram

Figure 21-2 shows the placement diagram for the XC7Z30-FBG676/FFG676 device.

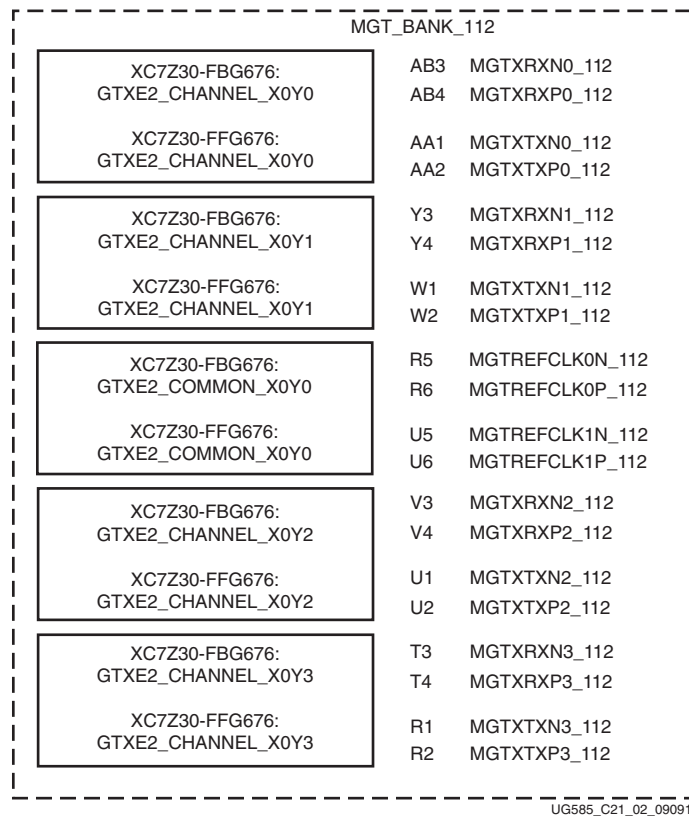


Figure 21-2: XC7Z30-FBG676/FFG676 Package Placement Diagram

### XC7Z30-SBG485 Package Placement Diagram

Figure 21-3 shows the placement diagram for the XC7Z30-SBG485 device.

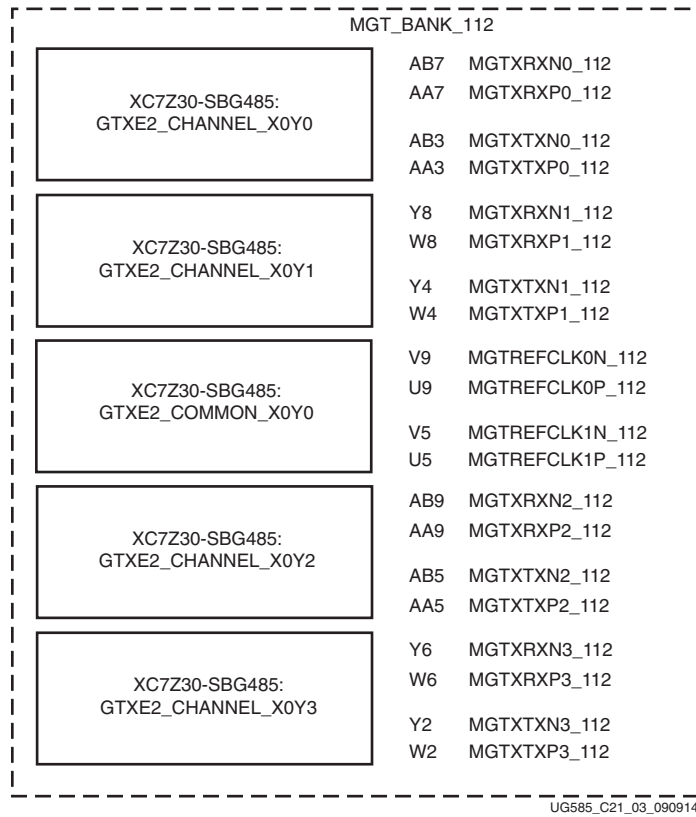


Figure 21-3: XC7Z30-SBG485 Package Placement Diagram

### XC7Z45-FBG676/FFG676 Package Placement Diagram

Figure 21-4 shows the placement diagram for the XC7Z45-FBG676/FFG676 device, MGT Bank 111.

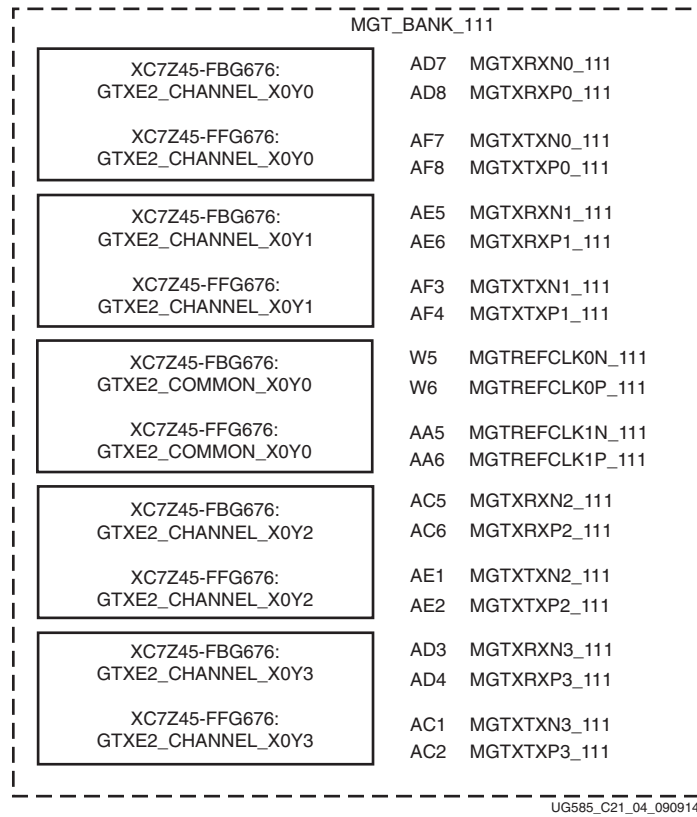


Figure 21-4: XC7Z45-FBG676/FFG676 MGT Bank 111 Package Placement Diagram

Figure 21-5 shows the placement diagram for the XC7Z45-FBG676/FFG676 device, MGT Bank 112.

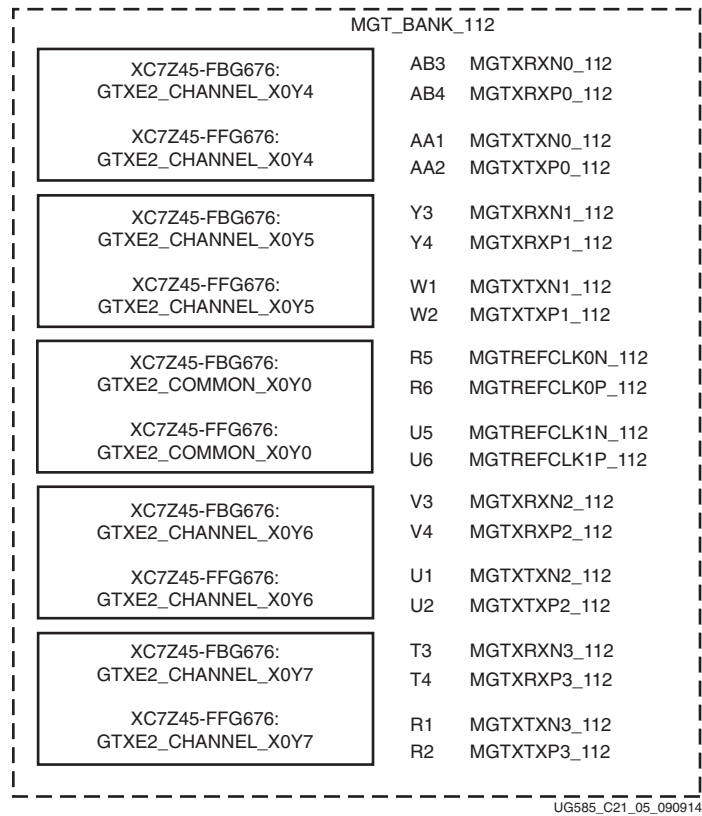


Figure 21-5: XC7Z45-FBG676/FFG676 MGT Bank 112 Package Placement Diagram

### XC7Z45-FFG900 and XC7Z100-FFG900 Package Placement Diagram

Figure 21-6 shows the placement diagram for the XC7Z45-FFG900 and XC7Z100-FFG900 devices, MGT Bank 109.

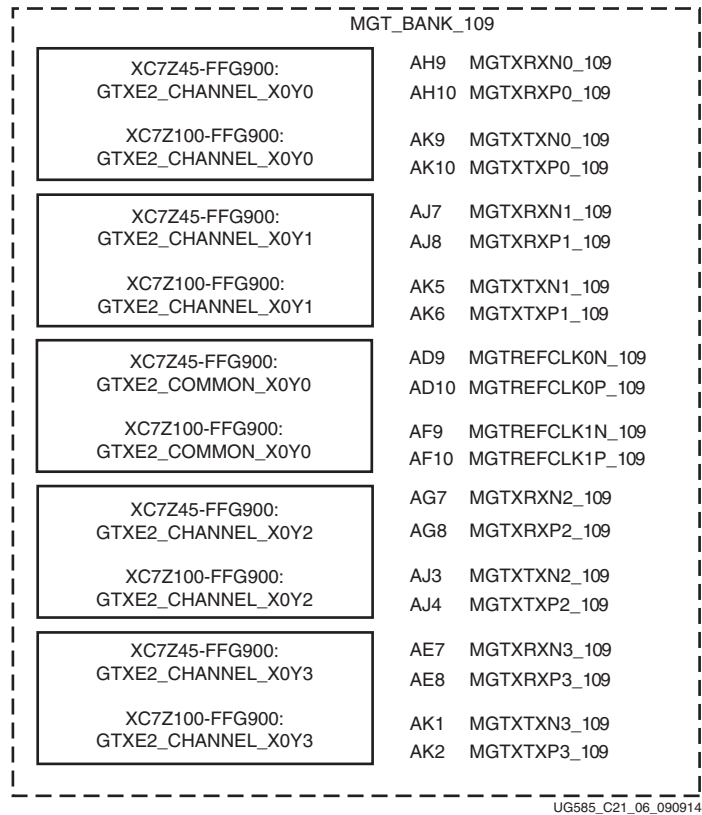


Figure 21-6: XC7Z45-FFG900 and XC7Z100-FFG900, MGT Bank 109 Package Placement Diagram

Figure 21-7 shows the placement diagram for the XC7Z45-FFG900 and XC7Z100-FFG900 devices, MGT Bank 110.

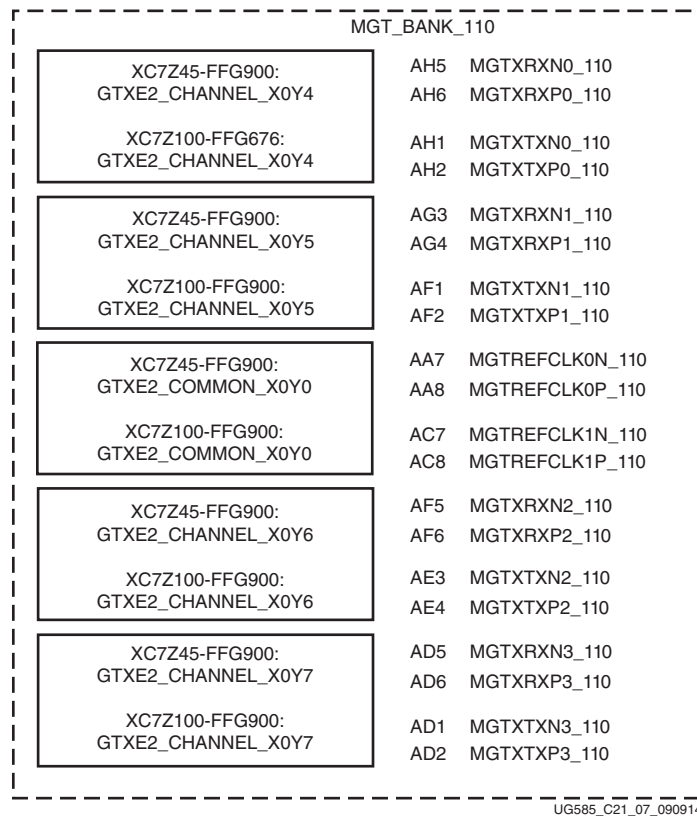


Figure 21-7: XC7Z45-FFG900 and XC7Z100-FFG900, MGT Bank 110 Package Placement Diagram



Figure 21-8 shows the placement diagram for the XC7Z45-FFG900 and XC7Z100-FFG900 devices, MGT Bank 111.

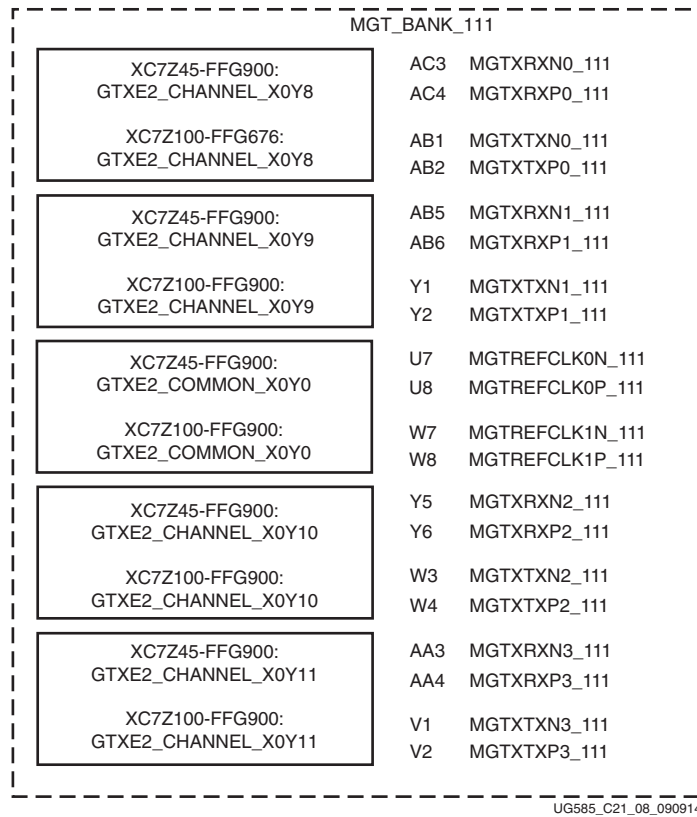


Figure 21-8: XC7Z45-FFG900 and XC7Z100-FFG900, MGT Bank 111 Package Placement Diagram

Figure 21-9 shows the placement diagram for the XC7Z45-FFG900 and XC7Z100-FFG900 devices, MGT Bank 112.

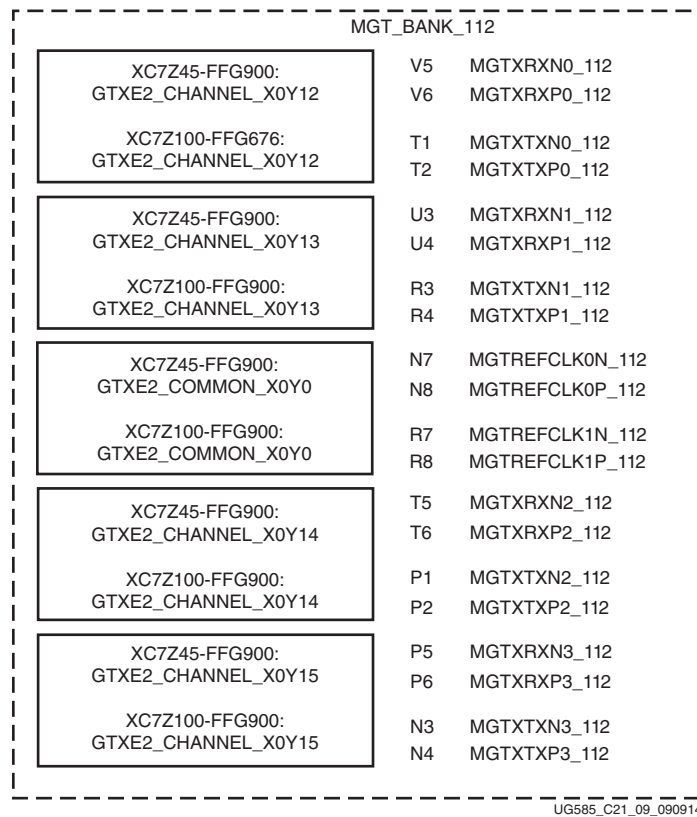


Figure 21-9: XC7Z45-FFG900 and XC7Z100-FFG900, MGT Bank 112 Package Placement Diagram

### XC7Z100-FFG1156 Package Placement Diagram

Figure 21-10 shows the placement diagram for the XC7Z100-FFG1156 device, MGT Bank 109.

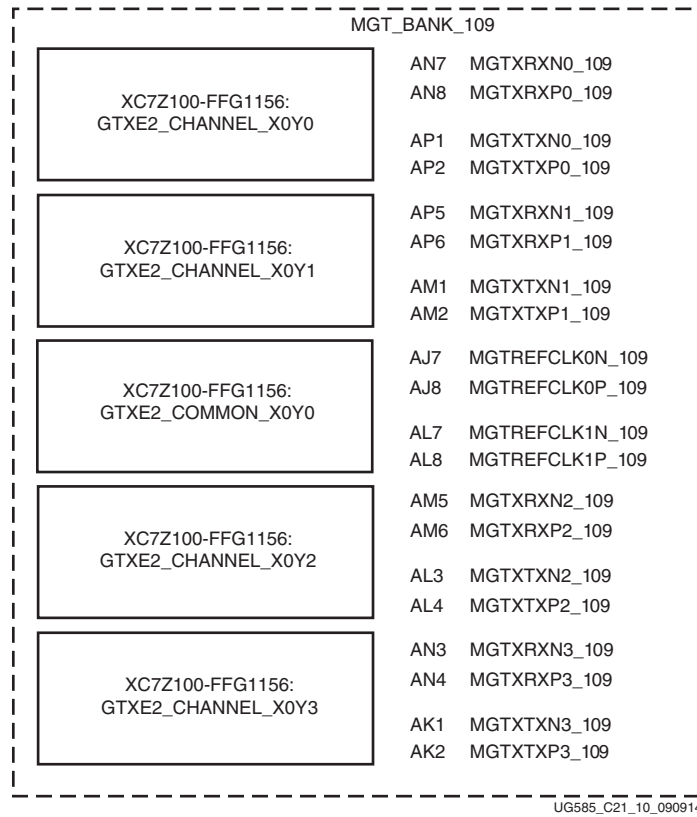


Figure 21-10: XC7Z100-FFG1156, MGT Bank 109 Package Placement Diagram

Figure 21-11 shows the placement diagram for the XC7Z100-FFG1156 device, MGT Bank 110.

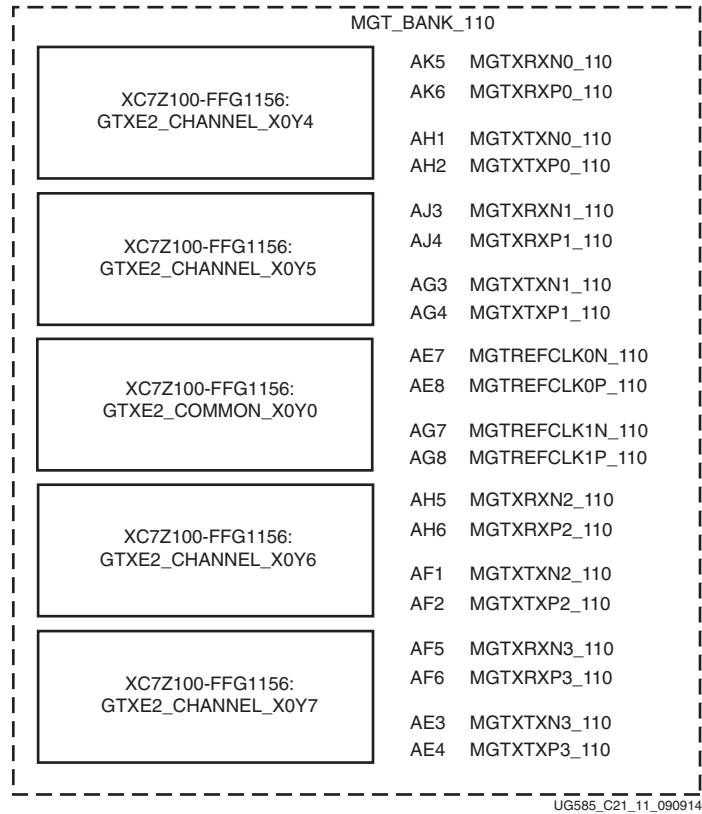


Figure 21-11: XC7Z100-FFG1156, MGT Bank 110 Package Placement Diagram

Figure 21-12 shows the placement diagram for the XC7Z100-FFG1156 device, MGT Bank 111.

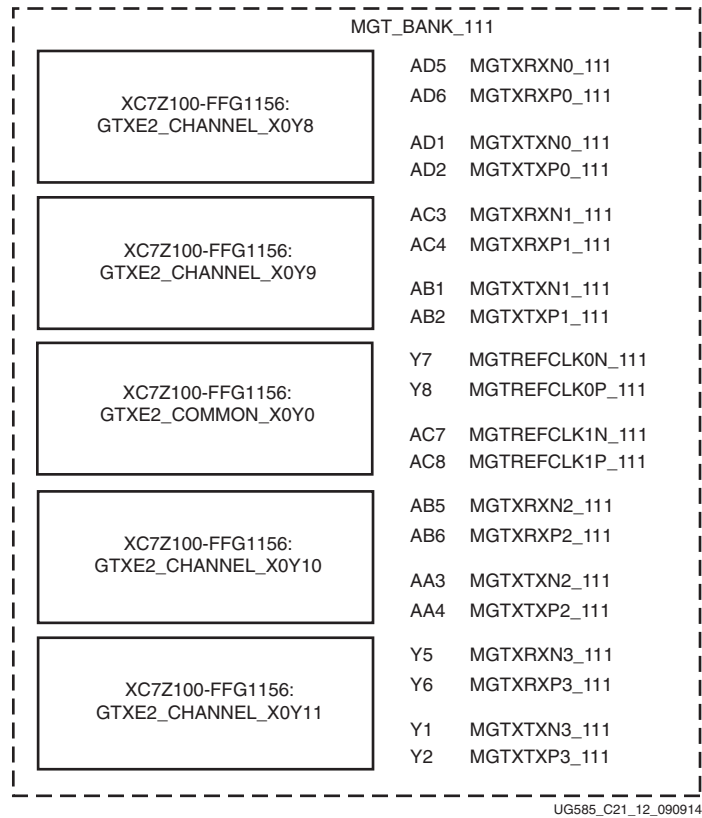


Figure 21-12: XC7Z100-FFG1156, MGT Bank 111 Package Placement Diagram

Figure 21-13 shows the placement diagram for the XC7Z100-FFG1156 device, MGT Bank 112.

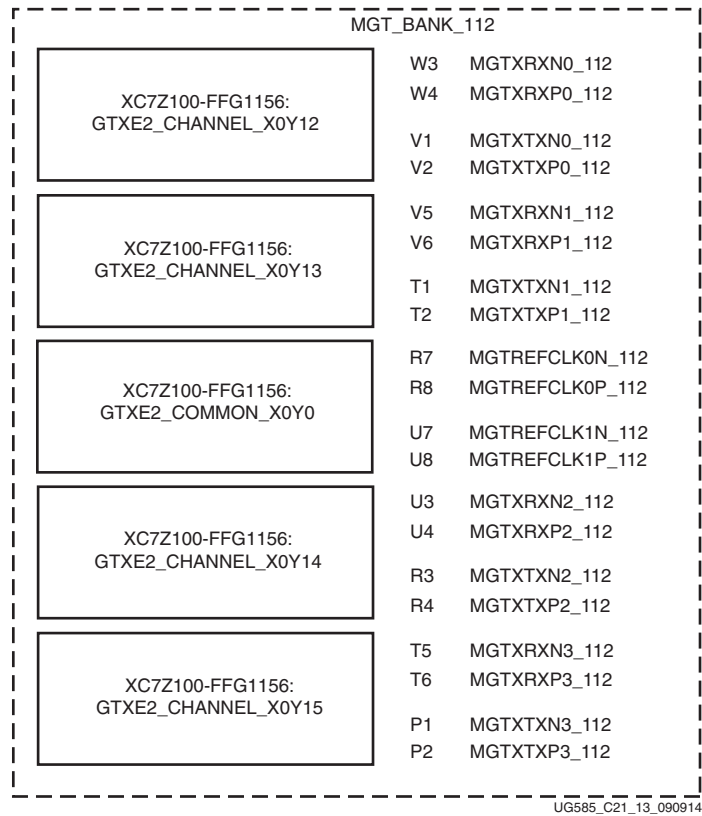


Figure 21-13: XC7Z100-FFG1156, MGT Bank 112 Package Placement Diagram

### 21.3.4 GTP Low-Power Serial Transceivers

The 7z015 device provides four GTP low-power serial transceivers that can operate up to 6.25 Mb/s per transceiver. The GTX and the GTP transceivers are similar to each other except as noted in [UG482, 7 Series FPGAs GTP Transceivers User Guide](#). Table 1-1 (in UG482) includes a summary of differences; the GTP transceivers include a 2-byte internal datapath (but not a 4-byte path), two shared ring oscillator PLLs, and does not include the decision feedback equalization (DFE).

#### Placement Information by Device/Package

This section provides position information for available device and package combinations along with the pad numbers for the signals associated with each GTP serial transceiver channel.

#### XC7Z15-CLG485 Package Placement Diagram

Figure 21-14 shows the placement diagram for the XC7Z15-CLG485 device.

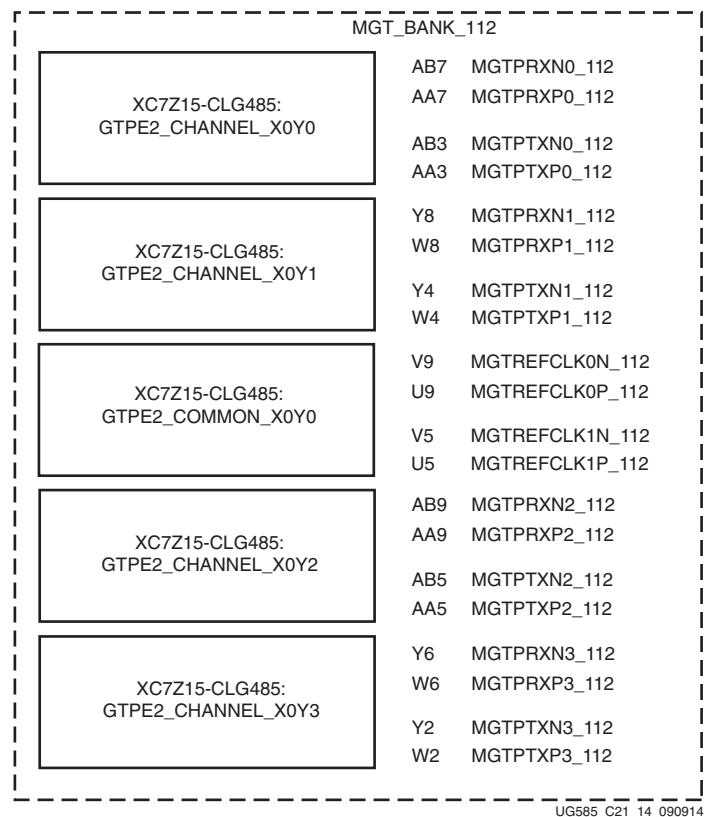


Figure 21-14: XC7Z15-CLG485 Package Placement Diagram

## 21.3.5 Integrated I/O Block for PCIe

The integrated PCI Express I/O block is only supported in the 7z015, 7z030, 7z045, and 7z100 devices. Highlights of the integrated blocks for PCI Express include:

- Compatible with the PCI Express Base Specification 2.1 with Endpoint and Root Port capability
- Supports Gen1 (2.5 Gb/s) and Gen2 (5 Gb/s)
- Advanced configuration options, advanced error reporting (AER), and end-to-end CRC (ECRC) advanced error reporting and ECRC features in the integrated block depending on family

All Zynq-7000 AP SoC devices with transceivers include an integrated block for PCI Express technology that can be configured as an Endpoint or Root Port, compatible with the PCI Express Base Specification Revision 2.1. The Root Port can be used to build the basis for a compatible Root Complex, to allow custom communication between the Zynq-7000 AP SoC device and other devices via the PCI Express protocol, and to attach ASSP Endpoint devices, such as Ethernet controllers or fibre channel HBAs, to the Zynq-7000 devices.

This block is highly configurable to system design requirements and can operate 1, 2, 4, or 8 lanes at the 2.5 Gb/s and 5.0 Gb/s data rates. For high-performance applications, advanced buffering techniques of the block offer a flexible maximum payload size of up to 1,024 bytes. The integrated block interfaces to the integrated high-speed transceivers for serial connectivity and to block RAMs for data buffering. Combined, these elements implement the physical layer, data link layer, and transaction layer of the PCI Express protocol.

Xilinx provides a light-weight, configurable, easy-to-use LogiCORE™ IP wrapper that ties the various building blocks (the integrated block for PCI Express, the transceivers, block RAM, and clocking resources) into an Endpoint or Root Port solution. The system designer has control over many configurable parameters: lane width, maximum payload size, programmable logic interface speeds, reference clock frequency, and base address register decoding and filtering.

Xilinx offers AXI4 memory mapped wrapper for the integrated block. AXI4 (memory mapped) is designed for Xilinx Platform Studio/EDK design flow and MicroBlaze™ processor based designs.

For more details on PCIe, see [UG477](#), *7 Series FPGAs Integrated Block v1.3 for PCI Express User Guide*.



## 21.4 Configuration

Xilinx 7 series FPGAs store their customized configuration in SRAM-type internal latches. The number of configuration bits is between 17 Mb and 140 Mb, depending on device size and user-design implementation options. The configuration storage is volatile and must be reloaded whenever the FPGA is powered up. The Processing System can reload the configuration at any time. For details about different boot and configuration modes refer to [Chapter 6, Boot and Configuration](#).

Table 21-2: PL Bitstream Lengths

Zynq 7000 AP SoC Device	Length (bits)	Length, rounded up (MBytes)
7z010	16,669,920	2
7z015		3.5
7z020	32,364,512	3.9
7z030	47,839,328	5.8
7z045	106,571,232	12.8
7z100	139,330,784	16.7

In all Zynq-7000 AP SoC devices, the PL bitstream, which contains sensitive customer IP, can be protected with 256-bit AES encryption and HMAC/SHA-256 authentication to prevent unauthorized copying of the design. The PL performs decryption on the fly during configuration using an internally stored 256-bit key. This key can reside in battery-backed RAM or in nonvolatile eFUSE bits.

Most configuration data can be read back without affecting the system's operation. Typically, configuration is an all-or-nothing operation, but Zynq-7000 AP SoC devices also support partial reconfiguration. This is an extremely powerful and flexible feature that allows the user to change portions of the logic in the PL while other portions remain static. Users can time-slice these portions to fit more IP into smaller devices, saving cost and power. Where applicable in certain designs, partial reconfiguration can greatly improve the versatility of the Zynq-7000 AP SoC device.

# Programmable Logic Design Guide

---

## 22.1 Introduction

This chapter covers the following topics:

- [Programmable Logic for Software Offload](#) is intended to introduce the user to high-level concepts of using the Programmable Logic (PL) to offload CPU functions.
- [PL and Memory System Performance Overview](#) discusses various performance-related behaviors of memory paths through the PS.
- [Choosing a Programmable Logic Interface](#) contrasts different PL interfaces available and shows typical uses.

---

## 22.2 Programmable Logic for Software Offload

Zynq devices have the unique capability of mapping software algorithms directly to programmable logic. Benefits might include reduced execution time, reduced operating power per function, reduced memory traffic and predictable low latency.

This section describes these benefits from a general perspective. Later sections describe specific performance and potential programmable logic topologies.

### 22.2.1 Benefits of Using PL to Implement Software Algorithms

#### Performance

Algorithms implemented in programmable logic can often be scaled to a full parallel implementation delivering maximum throughput, or to an intermediate throughput level at lower area cost. This allows the performance of an algorithm to be scaled well beyond what is achievable on the A9 or NEON units.

For example, consider an algorithm which requires 100 basic operations roughly equivalent to 100 instructions or lines of C code on the A9. A fully parallel programmable logic implementation might implement these operations using CLBs, DSP slices, and block RAMs. If the PL executes these 100 operations in parallel and is clocked at  $\frac{1}{4}$  the rate of the ARM clock, this function would have a potential speedup of 25x. This assumes that the PL implementation is not limited by I/O or resources.

## Power

An additional benefit of moving operations to the programmable logic is a reduction in power. Depending on the operations, programmable logic can reduce power per OP by 10-100x. Thus it might be useful to implement algorithms in the PL solely to reduce system power.

One issue to be aware of is that if the algorithm requires access to external memory, the energy cost of accessing the external memory could dominate the energy budget making a reduction in the operation power irrelevant.

## Latency

Parallel logic in the PL has a low predictable delay, and cannot be interrupted. For this reason algorithms which are used to respond to real time events originating in the PL might best be serviced by algorithms in the programmable logic. This approach can reduce response time from thousands of clocks to tens of clocks.

## 22.2.2 Designing PL Accelerators

Programmable logic accelerators are typically created in the RTL languages Verilog or VHDL. Experienced RTL engineers can use C-code as a golden model to create an efficient hardware implementation of the algorithm in programmable logic.

For software programmers who are more comfortable with the C language, C-to-Gates compilers exist which can allow a user to build HW accelerators using the C language. Keeping in mind that C is a sequential language, automated compiler methods can be used to map the sequential code to parallel hardware without user intervention.

For instance, a FOR loop such as `for (i=0; i<10; i++) { x[i]=a[i]+b[i]; }` can be unrolled to create 10 individual adders all operating in parallel.

For video and DSP algorithms, tools such as Matlab Simulink and Xilinx System Generator can be used to directly create logic from algorithmic flowgraphs. A primary advantage of using Matlab Simulink is the rich library of functions which can be used to model, simulate and verify the hardware implementation.

## Dataflow

Regardless of how an accelerator or offload engine is designed, once implemented it requires efficient dataflow to and from the accelerator. In many cases, scheduling the dataflow between the accelerator and DRAM can be more of a design challenge than implementing the actual algorithm. The word dataflow is used to reference the motion of data between system memories and PL functional units using AXI interconnect and local interconnect.

## 22.2.3 PL Acceleration Limits

The achievable speedup of an accelerator can be limited by I/O, resource, and latency requirements.

### I/O Rate Limits

A key observation is that processing cannot proceed faster than the speed of the data transfers to and from the functional unit. For functions with a high ratio of operations to I/O the data rates are not a limiting factor, however for operations with a low ratio of operations to I/O, dataflow limits the maximum performance attainable.

For example, assume 12 bytes of input data is being read from DDR and 4 bytes of results are written back to DDR. DDR3 at 32-bits, 1,066 Mb/s and 75% utilization is limited to roughly 3,200 Mb/s. If 16 bytes are required per operation, the dataflow limits the performance to  $3,200/16$ , or 200M function/sec. Note that this is independent of the complexity of the function. Even a simple 3 input adder is limited by the DDR bandwidth to 200M operations/sec and is not likely to be faster than an ARM A9 CPU. If however, the function consists of several thousands of operations all of which can proceed in parallel, or in a pipelined fashion, then the PL can often achieve speedups of a 10-100x.

### Resource Limits

While potential speedup can be quite high, the amount of logic in the PL can limit the achievable speedup. For instance, an application which requires 100 DSP slices to achieve a speedup of 24x might be limited to a 12x speedup if only 50 DSP slices are available.

### Latency Limits

The examples above assume that the PL can effectively proceed without intervention by the ARM processor. This is the case in situations where the PL implements a predetermined algorithm and dataflow using pre-allocated buffers and data is not resident in caches. In cases where the processor is creating data for the PL accelerator, additional CPU tasks might be required before the PL can begin working on the data. The CPU might need to allocate buffers and pass physical buffer addresses to the PL, or data might be flushed from cache to DDR or OCM or signal the PL to start processing. These additional steps add delays (called latency) to the total processing time. If these delays are significant, the potential acceleration is reduced. Typically it takes 100-200 clocks for the ARM processor to write a few words of data to a PL function. In general, CPU to PL calling latency is not a significant impact for applications processing more than 4 KB of data.

## 22.2.4 Power Offload

The PL can be used to implement individual functions at lower energy cost than when executed on the ARM A9 application processors. Less energy per operation is required because when a function is implemented in the PL, data is transferred from operator to operator in a local assembly line fashion using short, low capacitance local connections.

The same function implemented on a processor requires an instruction and data fetch from local caches or external memory and a result to be written back to registers or the memory system over longer, higher capacitance interfaces. When functions require data to be stored in memory, block

RAM can be used at lower energy cost than processor caches. Table 22-1 summarizes the approximate energy cost for various functions implemented on both the A9 processor and the 7 series programmable logic.

Table 22-1: Estimated Energy Costs for Common Operations

Operation	PL Resource	ARM A9 Resource	ARM A9 energy/OP (pico Joules or mW/GOP/sec)	PL energy/OP (pico Joules op mW/GOP/sec)
Logical Op of 2 var	LUT/FF	ALU		1.3
32-bit ADD	LUT/FF	ALU		1.3
16x16 Mult	DSP	ALU		8.0
32-bit Read/Write register	LUTRAM	L1		1.4
32-bit Read/Write AXI register	LUT/FF	AXI		30
32-bit Read/Write local RAM	BRAM	L2		23.7/17.2
32-bit Read/Write OCM	AXI/OCM	CPU/OCM		44
32-bit Read/Write DDR3	AXI/DDR	CPU/DDR		541/211

**Notes:**

1. A9 energy costs estimated from ARM power indicative benchmarks.
2. PL Energy costs for custom programmable logic functions are estimated using the Xilinx XPE power estimator [http://www.xilinx.com/ise/power\\_tools/license\\_7series.htm](http://www.xilinx.com/ise/power_tools/license_7series.htm).

Typically, the energy cost to read or write external DDR memory is roughly the same and much larger than the operation cost. As a consequence the energy required by functions which require even a small percentage of external access is dominated by the energy cost of the external access and the total cost will be the same in both PL and CPU implementations. Thus a key to minimizing energy cost is to localize data movement to the PL. If space allows, rather than storing data structures off chip, store them in OCM, BRAM, LUTRAM or flip-flops and avoid the use of unnecessary storage. This approach might require code to be restructured to avoid the use of unnecessary buffers.

## 22.2.5 Real Time Offload

The ARM A9 CPUs are optimized for application processing rather than real-time response and are often running an operating system such as Linux. The PL can be used augment the A9s with excellent real time response.

### MicroBlaze Assisted Real Time Processing

One or more MicroBlaze processors can be used to as microcontrollers to manage realtime events. MicroBlaze offers excellent real-time response and can be dedicated to particular tasks. MicroBlaze controllers can typically use a few block RAMs, approximately 2,000 LUTs, and run at 100-200 MHz. Interrupt response times are in the 10s of clocks. Alternately the MicroBlaze can poll for events which can be serviced in just a few clocks. Code can be written in C or for ultimate real time control in assembly. Unlike the Cortex-A9 CPUs, MicroBlaze has a fixed execution pipeline and offers predictable response times. For many applications a PicoBlaze processor might be adequate and uses just a few hundred LUTs.

## PL Interrupt Servicing

PS interrupts are routed to the PL and can be serviced by a MicroBlaze processor or by hardware state machines.

## HW State Machines

When programmable response times from a MicroBlaze or PicoBlaze CPU are not sufficient, hardware state machines can be created to respond to events. These state machines are generally created in RTL, but can also be generated using MATLAB Simulink and Labview graphical design languages.

## 22.2.6 Reconfigurable Computing

The programmable logic in each Zynq device can be reconfigured as needed to provide new hardware accelerators. Either the entire device can be reconfigured, or a selected portion of the PL can be reconfigured. This allows for a library of accelerator functions to be stored on disk, flash memory, or DRAM and downloaded on demand. The PS can be used to orchestrate this reconfiguration over the PCAP interface and manage the allocation of PL resources.

### Programmable Engines

Typically programmable logic based accelerators implement a specific data flow graph which directly converts input data to output data. An example would be a matrix multiply which pushes data from an input buffer through an array of multipliers and adders and stores the result in a result buffer. An alternative approach might be to build a programmable engine with multipliers and adder instructions to implement the algorithms and general purpose memories to store the data.

While not generally as efficient as fixed function flowgraphs, programmable engines have the advantage of being reprogrammable to implement alternate algorithms. An additional advantage is that they can be used to implement complex functions as the number of operations is limited only by the instruction memory or the bandwidth required to fetch instructions from DRAM. Also a programmable engine might more easily match the required computational rate than a fixed function flowgraph. In general, programmable engines require access to local memories for code and data storage and can require significantly more memory than fixed function flowgraphs as well as additional logic for address generation and instruction decoding.

OpenCL has been used as a programming language for these types of engines, but assembly code is also viable. These engines are an area of active research and some IP is now commercially available.

## 22.3 PL and Memory System Performance Overview

This section provides a comparison of various performance-related behaviors of memory paths through the PS. It is intended to familiarize the designer with the performance-related behaviors of the PL and PS memory system.

### 22.3.1 Theoretical Bandwidth

Table 22-2 and Table 22-3 provide a basic introduction of relative performance capabilities between various programmable interfaces, DMA, and memory controllers. The bandwidth are calculated as the interface width multiplied by a typical clock rate, not including any protocol overhead.

Table 22-2: Theoretical Bandwidth of PS-PL and PS Memory Interfaces

Interface	Type	Bus Width (bits)	IF Clock (MHz)	Read Bandwidth (MB/s)	Write Bandwidth (MB/s)	R+W Bandwidth (MB/s)	Number of Interfaces	Total Bandwidth (MB/s)
General Purpose AXI	PS Slave	32	150	600	600	1,200	2	2,400
General Purpose AXI	PS Master	32	150	600	600	1,200	2	2,400
High Performance (AFI) AXI_HP	PS Slave	64	150	1,200	1,200	2,400	4	9,600
AXI_ACP	PS Slave	64	150	1,200	1,200	2,400	1	2,400
DDR	External Memory	32	1,066	4,264	4,264	4,264	1	4,264
OCM	Internal Memory	64	222	1,779	1,779	3,557	1	3,557

Table 22-3: Theoretical Bandwidth of PS DMA Controllers

DMA	Type	IF Width (Bits)	IF Clock (MHz)	Read BW (MB/s)	Write BW (MB/s)	R+W BW (MB/s)	Number of Interfaces	Total Bandwidth (MB/s)
DMAC	ARM PL310	64	222	1,776	1,776	3,552	1	3,552
Gigabit Ethernet	PS Master	4	250	125	125	250	2	500
USB	PS Master	8	60	60	60	60	2	120
SD	PS Master	4	50	25	25	25	2	50

Table 22-4: Theoretical Bandwidth of PS Interconnect

Interconnect	Clock Domain	IF Width (Bits)	IF Clock (MHz)	Read BW (MB/S)	Read BW (MB/S)	R+W BW (MB/s)
Central Interconnect	CPU_2x	64	222	1,776	1,776	3,552
Masters	CPU_1x	32	111	444	444	888
Slaves	CPU_1x	32	111	444	444	888
Master Interconnect	CPU_2x	32	222	888	888	1,776
Slave Interconnect	CPU_2x	32	222	888	888	1,776
Memory Interconnect	DDR_2x	64	355	2,840	2,840	5,680

A few performance insights can be inferred from these relative throughputs.

- The OCM or DDR memories are not able to be fully utilized by a single master, except if a low DDR clock rate is used. For example, DDR read bandwidth is limited to 2,840 MB/s on a particular port by the memory interconnect.
- The interconnect generally provides enough bandwidth to sustain access to the memory devices.

### 22.3.2 DDR Efficiency

One design consideration when using the PL to access external memory is the total amount of DDR memory bandwidth that is available. One useful metric of DDR bandwidth is the efficiency of the controller. Efficiency is the total data passed through the controller versus its theoretical throughput during a test period. Table 22-5 and Table 22-6 lists the efficiency the DDR controller under various access types. The system is configured according to Table 22-7.

Table 22-5: DDR Efficiency (System #1, 4 HP/AFI masters, AXI Burst Length of 16)

Access Type	Address Pattern	Efficiency (%)
Reads	Sequential	97
Reads	Random	92
Writes	Sequential	90
Writes	Random	87
Reads and Writes	Sequential	87
Reads and Writes	Random	79

From a design planning perspective, accesses tested in Table 22-5 could be described as optimistic to near-typical values. The random read/write pattern is not worst case as the DDR controller optimization features are still able to improve efficiency; there might be other more pessimistic access patterns. Overall, the DDR controller was designed to have a maximum efficiency of approximately 75%.

Table 22-6 lists a DDR efficiency versus burst length example. It illustrates that moderate length bursts do not result in significant DDR efficiency loss. These moderate burst lengths can be useful in latency-sensitive environments where longer bursts can increase latency for higher-priority masters in the system.



Table 22-6: DDR Efficiency versus AXI Burst Length (System #1, 4 HP/AFI masters, Sequential Read/Writes)

Burst Length	DDR Efficiency (%)
4	87
8	87
16	87

Table 22-7: Latency Example Measurement Systems

System	PL AXI Clock (MHz)	CPU_6x4x (MHz)	CPU_2x (MHz)	DDR_3x (MHz)	DDR_2x (MHz)	DRAM	DRAM (Mb/s)
#1	150	675	225	525	350	DDR3	1,050

### 22.3.3 OCM Efficiency

A similar efficiency test to the DDR example above using four high-performance ports to OCM show a maximum efficiency of 80%.

### 22.3.4 Interconnect Throughput Bottlenecks

At typical high-performance clock ratios, the PS interconnect is not typically the limiting factor in a high-performance system. One exception to this is when using two high-performance (HP/AFI) ports to DDR. Since ports 0/1 and 2/3 are arbitrated before the DDR controller, it is beneficial in the two port case to use one port each from these pairs, such as port 0 and 2.

## 22.4 Choosing a Programmable Logic Interface

This section discusses various options to connecting Programmable Logic (PL) to the Processing System (PS). The main emphasis is on data movement tasks such as direct memory access (DMA).

### 22.4.1 PL Interface Comparison Summary

Table 22-8 presents a qualitative overview of data transfer use cases. The estimated throughput column reflects suggested maximum throughput in a single direction (read/write).

Table 22-8: Data Movement Method Comparison Summary

Method	Benefits	Drawbacks	Suggested Uses	Estimated Throughput
CPU Programmed I/O	<ul style="list-style-type: none"> <li>• Simple Software</li> <li>• Least PL Resources</li> <li>• Simple PL Slaves</li> </ul>	<ul style="list-style-type: none"> <li>• Lowest Throughput</li> </ul>	<ul style="list-style-type: none"> <li>• Control Functions</li> </ul>	<25 MB/s
PS DMAC	<ul style="list-style-type: none"> <li>• Least PL Resources</li> <li>• Medium Throughput</li> <li>• Multiple Channels</li> <li>• Simple PL Slaves</li> </ul>	<ul style="list-style-type: none"> <li>• Somewhat complex DMA programming</li> </ul>	<ul style="list-style-type: none"> <li>• Limited PL Resource DMAs</li> </ul>	600 MB/s
PL AXI_HP DMA	<ul style="list-style-type: none"> <li>• Highest Throughput</li> <li>• Multiple Interfaces</li> <li>• Command/Data FIFOs</li> </ul>	<ul style="list-style-type: none"> <li>• OCM/DDR access only</li> <li>• More complex PL Master design</li> </ul>	<ul style="list-style-type: none"> <li>• High Performance DMA for large datasets</li> </ul>	1,200 MB/s (per interface)
PL AXI_ACP DMA	<ul style="list-style-type: none"> <li>• Highest Throughput</li> <li>• Lowest Latency</li> <li>• Optional Cache Coherency</li> </ul>	<ul style="list-style-type: none"> <li>• Large burst might cause cache thrashing</li> <li>• Shares CPU Interconnect bandwidth</li> <li>• More complex PL Master design</li> </ul>	<ul style="list-style-type: none"> <li>• High Performance DMA for smaller, coherent datasets</li> <li>• Medium granularity CPU offload</li> </ul>	1,200 MB/s
PL AXI_GP DMA	<ul style="list-style-type: none"> <li>• Medium Throughput</li> </ul>	<ul style="list-style-type: none"> <li>• More complex PL Master design</li> </ul>	<ul style="list-style-type: none"> <li>• PL to PS Control Functions</li> <li>• PS I/O Peripheral Access</li> </ul>	600 MB/s

### 22.4.2 Cortex-A9 CPU via General Purpose Masters

The least intrusive method from a software perspective is to use the Cortex-A9 to move data between the PS and PL (see Figure 22-1). Data flow is directly moved by a CPU, removing the need to handle events from a separate DMA. Access to the PL is provided through the two M\_AXI\_GP master ports, which each have a memory address range to originate PL AXI transactions. The PL design is also simplified since as little as a single AXI slave can be implemented to service the CPU requests.

Drawbacks of using a CPU to move data is that a sophisticated CPU is spending cycles performing simple data movement instead of complex control and computation tasks, and the limited throughput available. Transfer rates less than 25 MB/s are reasonable with this method.

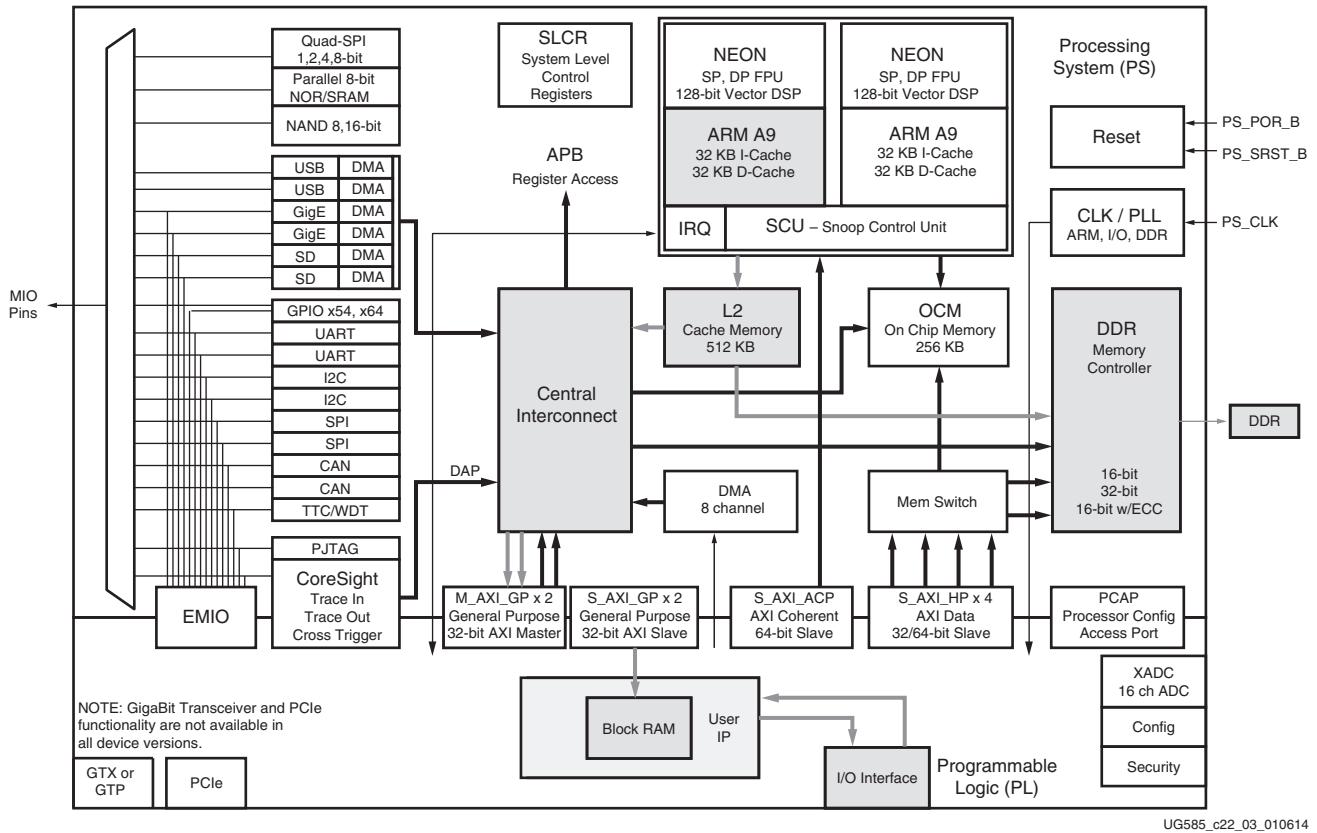


Figure 22-1: Example Cortex-A9 PL Data Movement Topology

### 22.4.3 PS DMA Controller (DMAC) via General Purpose Masters

The PS DMA controller (DMAC) provides a flexible DMA engine that can provide moderate levels of throughput with little PL logic resource usage (see Figure 22-2). The DMAC resides in the PS and must be programmed via DMA instructions residing in memory, typically prepared by a CPU. With support for up to eight channels, multiple DMA fabric cores can potentially be served in the single DMAC. However, the flexible programmable model might increase software complexity relative to CPU transfer or specialized PL DMA.

The DMAC interface to the PL is through the general purpose AXI master interfaces, whose 32-bit width along with the centralized DMA nature (a read and write transaction for each movement) of the DMAC to limit the DMAC from highest throughput. A peripheral request interface also allows PL slaves to provide status to the DMAC on buffer state, to prevent transactions involving a stalled PL peripheral from unnecessarily also stalling interconnect and DMAC bandwidth.

See Chapter 9, DMA Controller for more information on the DMAC controller. More information on the M\_AXI\_GP interfaces can be found in Chapter 5, Interconnect.

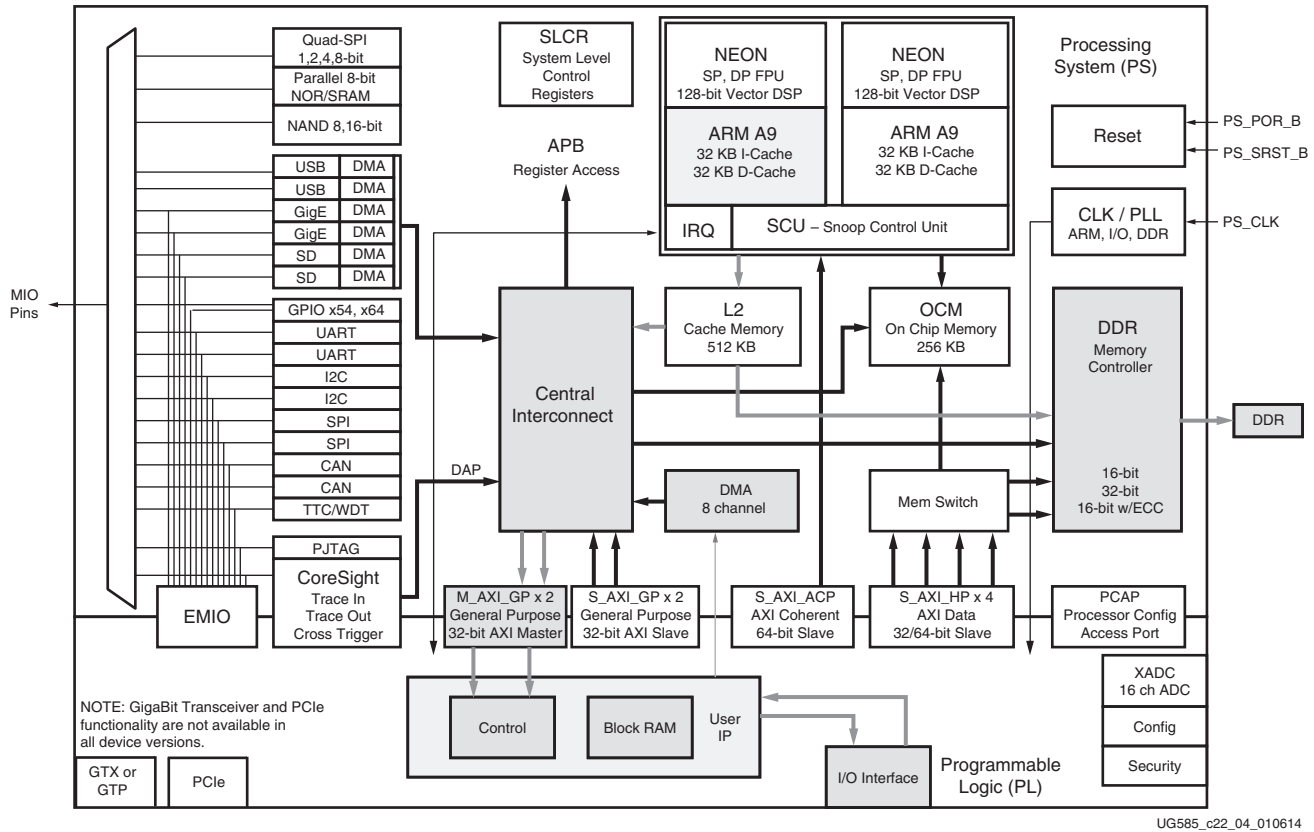


Figure 22-2: Example DMAC DMA Topology

### 22.4.4 PL DMA via AXI High-Performance (HP) Interface

The high-performance (S\_AXI\_HP) PL interfaces provide high-bandwidth PL slave interfaces to OCM and DDR memories. The AXI\_HP ports are unable to access any other slaves. With four, 64-bit wide interfaces, the AXI\_HP provide the greatest aggregate interface bandwidth. The multiple interfaces also save PL resources by reducing the need to a PL AXI interconnect. Each AXI\_HP contains control and data FIFOs to provide buffering of transactions for larger sets of bursts, making it ideal for workloads such as video frame buffering in DDR. This additional logic and arbitration does result in higher minimum latency than other interfaces.

The user IP logic residing in the PL will generally consist of a low-speed control interface and higher performance burst interface, as shown in Figure 22-3. If control flow is orchestrated by the Cortex-A9 CPU, the general purpose M\_AXI\_GP port can be used for tasks such as configuring the memory addresses the User IP should access and transaction status. Transaction status can also be conveyed via PL to PS interrupts. Higher performance devices connected to AXI\_HP should be able to issue multiple outstanding transactions to take advantage of the AXI\_HP FIFOs.

The PL design complexity of multiple AXI interfaces along with the associated PL utilization are the primary drawbacks of implementing a DMA engine in the PL for both S\_AXI\_HP and S\_AXI\_ACP interfaces.

See Chapter 5, Interconnect for more information on the AXI\_HP interface.

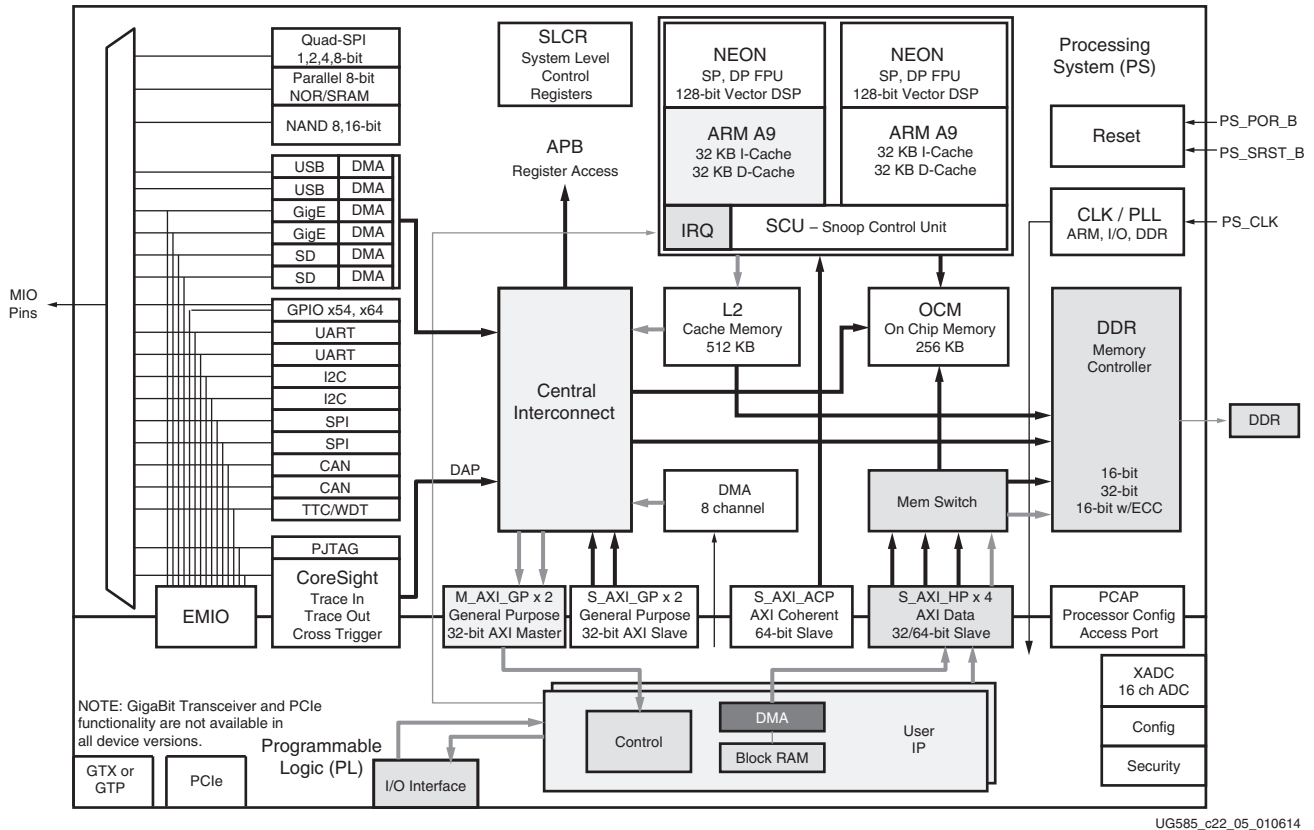


Figure 22-3: Example High-Performance (HP) DMA Topology

## 22.4.5 PL DMA via AXI ACP

The AXI ACP interface (S\_AXI\_ACP) provides a similar user IP topology as the high performance S\_AXI\_HP interfaces. Also 64 bits wide, the ACP also provides highest throughput capability for a single AXI interface. As shown in Figure 22-4, the User IP topology is likely often similar to the S\_AXI\_HP example in the previous section.

The ACP differs from the HP performance ports due to its connectivity inside of the PS. The ACP connects to the snoop control unit (SCU) which is also connected to the CPU L1 and the L2 cache. This connectivity allows ACP transactions to interact with the cache subsystems, potentially decreasing total latency for data to be consumed by a CPU. These optionally cache-coherent operations can prevent the need to invalidate and flush cache lines. The ACP also has the lowest memory latency to memory of the PL interfaces. The connectivity of the ACP is similar to that of the CPUs.

The drawbacks from using the ACP besides those shared with the S\_AXI\_HP interfaces also stem from the locality to the cache and CPUs. Memory accesses through the ACP utilize the same interconnect paths as the APU, potentially decreasing CPU performance. Large, coherent ACP transfers can cause thrashing of the cache. Thus ACP coherent transfers are best suited for less than the largest data-sets. The ACP low-latency access allows opportunity for algorithm acceleration of medium granularity.

For more information on S\_ACI\_ACP, see [Chapter 3, Application Processing Unit](#). See [Chapter 29, On-Chip Memory \(OCM\)](#) when using ACP with OCM.

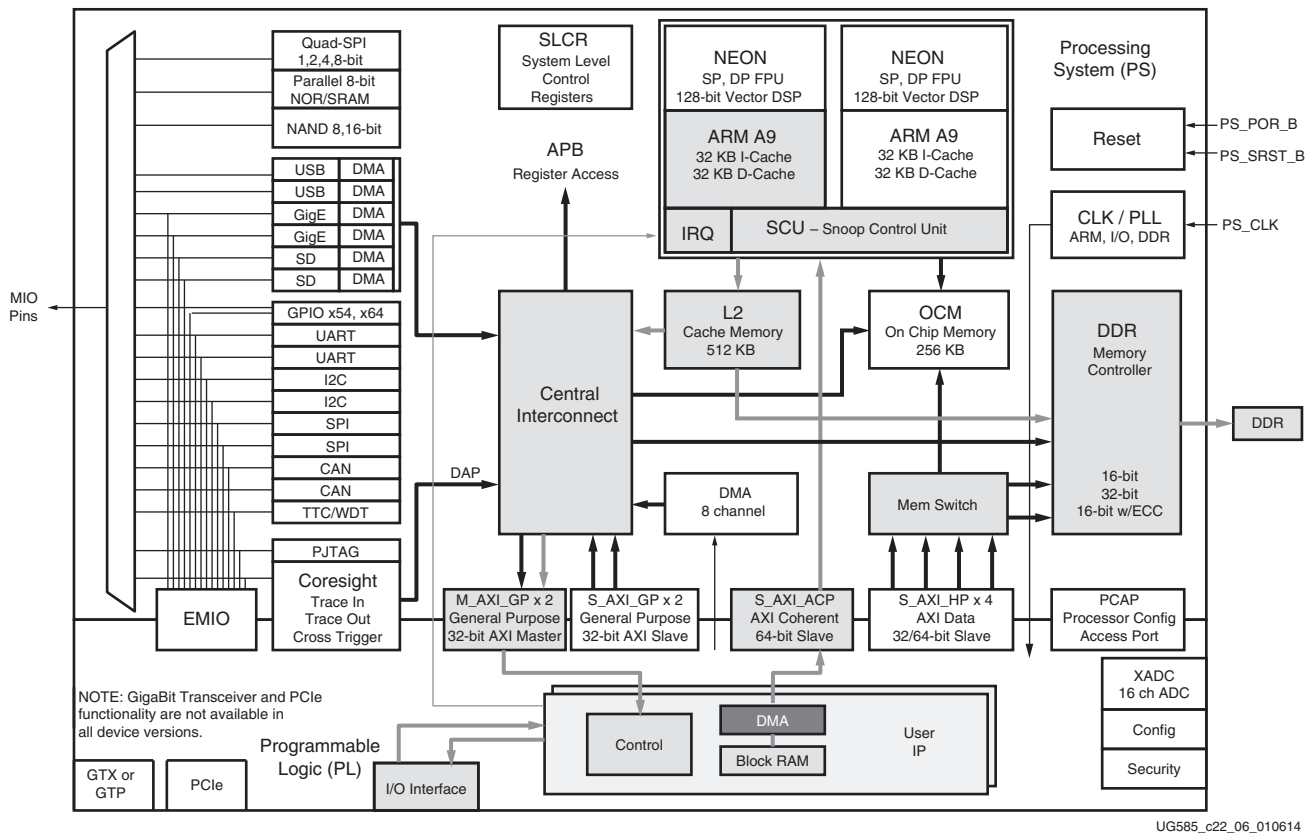


Figure 22-4: Example ACP DMA Topology

### 22.4.6 PL DMA via General Purpose AXI Slave (GP)

While the general purpose AXI Slave (S\_AXI\_GP) has reasonably low latency to OCM and DDR, its narrow 32-bit interface limits its utility as a DMA interface. The two S\_AXI\_GP interfaces are more likely to be used for lower-performance control access to the PS memories, registers and peripherals.

More information on the S\_AXI\_GP interfaces can be found in [Chapter 5, Interconnect](#).

# Programmable Logic Test and Debug

---

## 23.1 Introduction

Zynq-7000 AP SoC devices provides extensive debug capability for accessing the PS debug structure (see [Chapter 28, System Test and Debug](#)) from the PL. This allows for integrated test and debug on both PS and PL simultaneously.

Xilinx provides the fabric trace monitor (FTM) for programmable logic test and debug. It is based on the ARM CoreSight architecture, and is a component of the trace source class (see [Chapter 28, System Test and Debug](#)) in the CoreSight system within Zynq-7000 AP SoC devices. The FTM receives trace data from the PL and formats it into trace packets to be combined with the trace packets from other trace source components such as PTM and ITM. With this capability, PL events can easily be traced simultaneously with PS events. The FTM also supports cross-triggering between the PS and PL, except for the trace dumping feature. In addition, the FTM provides general-purpose debug signals between the PS and PL.

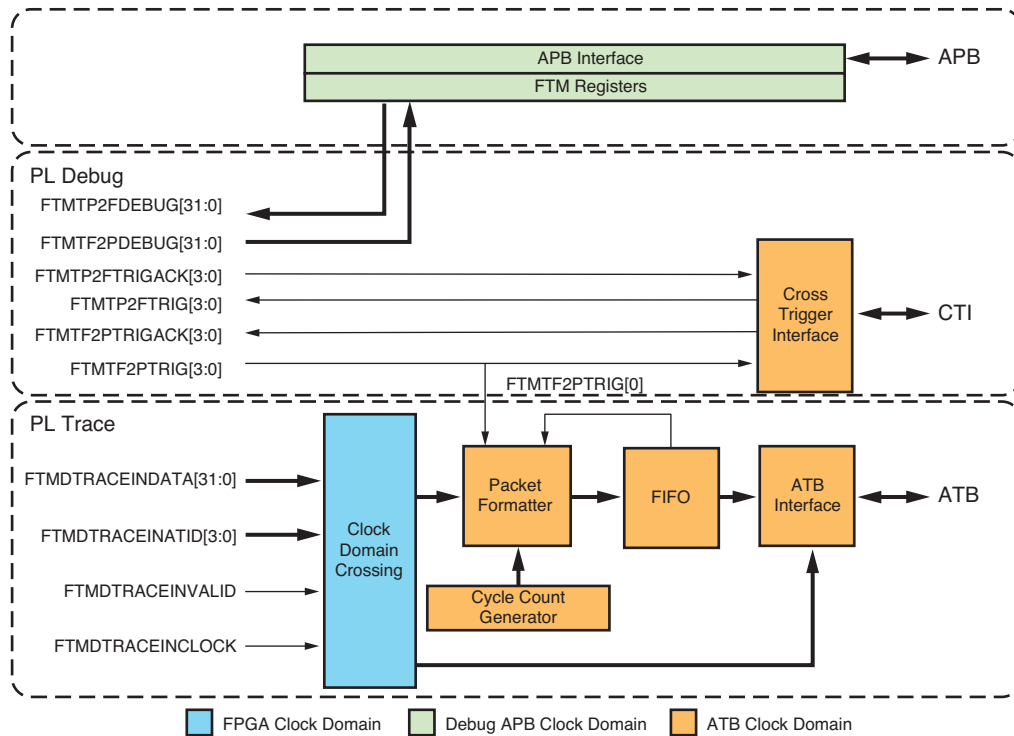
### 23.1.1 Features

The key features of the PL test and debug are as follows:

- ARM CoreSight compliant
- 32-bit trace data from the PL
- 4-bit trace ID from the PL
- Clock domain crossing between the PL and PS
- FIFO buffering for trace packets to absorb bursts of trace data from the PL
- Indication of FIFO overflow via generation of an overflow packet
- Trace packets are compatible with ARM trace port software and hardware
- Trigger signals to/from the PL
- General-purpose I/Os to/from the PL

### 23.1.2 Block Diagram

A block diagram of the FTM is shown in Figure 23-1.



UG585\_c23\_01\_030312

Figure 23-1: FTM Block Diagram

As shown in Figure 23-1, the following functional blocks comprise the FTM:

- APB Interface
  - This is the interface to the CoreSight debug APB, through which CPUs and JTAG can interact with the FTM.
- FTM Registers
  - These are programmable registers.
- Clock Domain Crossing
  - This block synchronizes signals between the PL clock domain and the PS clock domain.
- PL Debug Ports
  - This block provides:
    - General purpose I/Os, 32 bits to the PL and 32 bits from the PL. These are accessed through reads and writes to registers.
    - Trigger signals, 4 pairs to the PL and 4 pairs from the PL. Each pair consists of a trigger signal and an acknowledge signal, and follows ARM standard CTI handshake protocol.



- Trigger input 0 (FTMTF2PTRIG[0]) can be used to generate trigger packets.
- Packet Formatter
  - This block is responsible for gathering trace data and formatting the data into trace packets. In addition to trace packets, the packet formatter can also generate various other types of packets to convey additional information to the CoreSight system within the PS.
- Cycle Count Generator
  - This block is used to provide a binary count value for time stamping packets. This is achieved by a counter, which is:
    - 32-bit, free-running, clocked by CPU\_2x
    - Pre-scaled by  $2^{\text{CYCOUNTPRE}}$  (range:1 to 32,768)
    - Reset by POR, FTMGLBCTRL[FTMENABLE]=0, CoreSight reset request through JTAG
- FIFO
  - The FIFO is used to buffer packets before they are sent to the ATB. The FIFO has these properties:
    - 64-packets deep
    - When the FIFO overflows, it signals the packet formatter to generate an overflow packet. In this case, some trace data is lost.
- ATB Interface
  - This is the interface to the CoreSight ATB, over which packets are sent.
- Cross Trigger Interface
  - This block is the interface to the CoreSight ECT system (see [Chapter 28, System Test and Debug](#)).

### 23.1.3 System Viewpoint

For details on how the FTM is connected to, and interacts with, the rest of the CoreSight system within the PS, see [Chapter 28, System Test and Debug](#).

---

## 23.2 Functional Description

### 23.2.1 Basic Operation

The PL trace module captures the trace data from the PL. The user supplies the trace data, trace ID, valid, and clock signals to the FTM at the PL-PS boundary. All data, ID, and valid signals must be stable on the rising edge of the FTMDTRACEINCLOCK signal for the FTM to correctly sample them.

When FTMDTRACEINVALID is asserted, the PL trace signals are available to the clock domain crossing interface, which synchronizes the data and ID, and sends them to the packet formatter.

The packet formatter generates packets and submits them to the FIFO. The packet formatter can generate the following types of packets:

- Trace packets: These packets are generated when valid trace data is available from the PL.
- Trigger packets: These trigger packets can only be generated by the FTMTF2PTRIG[0] signal.
- Cycle count packets: These packets provide continuous timestamps that are used to reconstruct a real-time trace.
- Overflow packets: These packets are generated when the FIFO overflows.
- Synchronization packets: These packets are for packet analysis tools to re-align to packet boundaries.

The cross trigger interface communicates with the CoreSight ECT structure. This interface passes re-synchronized trigger signals between the PL and the ECT. This provides the capability of cross-triggering each other between the PS and PL.

### 23.2.2 Packet Generation

The following are some common scenarios that illustrate packet generation by the FTM.

#### Typical Case – Trace Enabled, Cycle Count Enabled

When a valid PL trace (FTMDTRACEINVALID is asserted) is captured, a trace packet and a cycle count packet are generated and sent to the ATB. When a trigger occurs (via the FTMTF2PTRIG[0] signal), a trigger packet and a cycle count packet are generated and sent to the ATB.

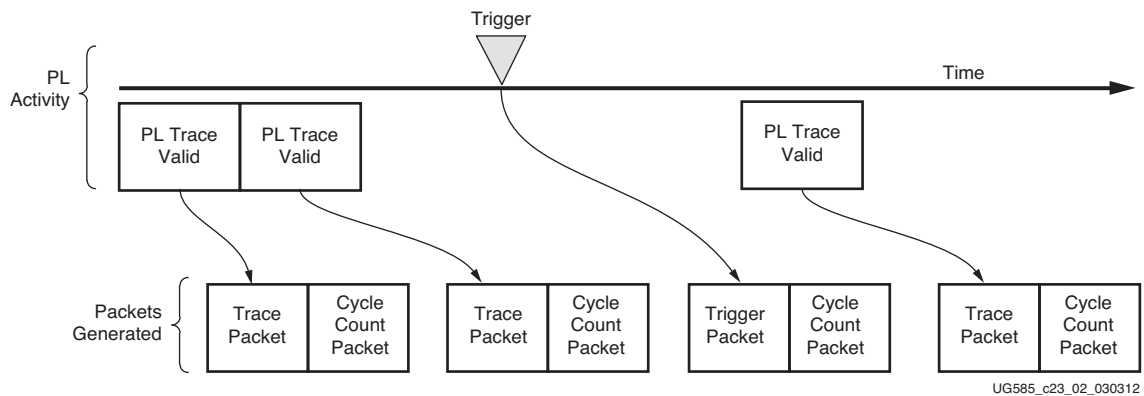
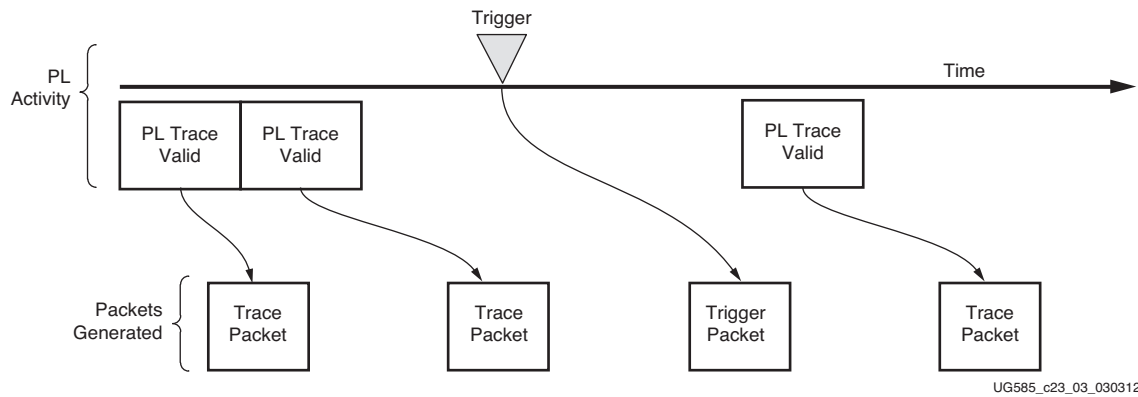


Figure 23-2: Packet Generation, Typical Case

### No Cycle Count Case – Trace Enabled, Cycle Count Disabled

This is similar to the preceding case, except that cycle count packets are not generated.

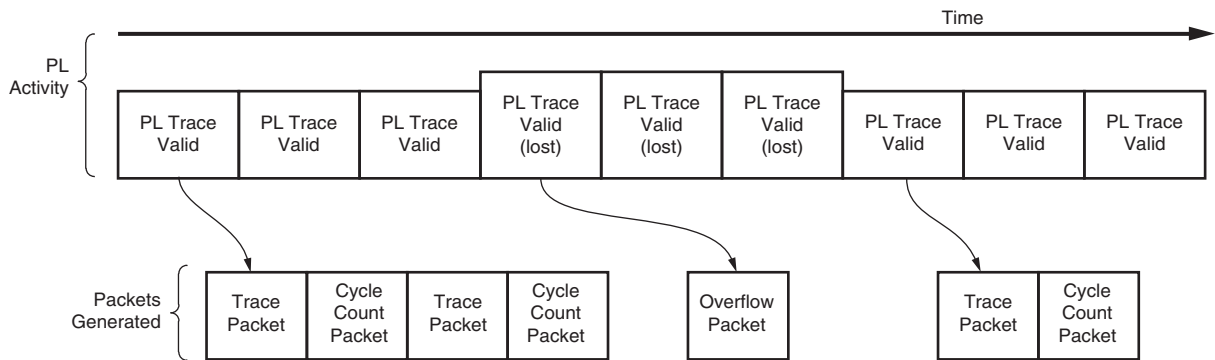


UG585\_c23\_03\_030312

Figure 23-3: Packet Generation, No Cycle Count Case

### FIFO Overflow Case – Lost Trace

In this scenario, trace packets are not generated until the FIFO is no longer in an overflow condition. An overflow packet is generated to indicate that there was an overflow condition and some trace packets are lost.



UG585\_c23\_04\_030712

Figure 23-4: Packet Generation, FIFO Overflow Case

### Synchronization Case

This scenario illustrates how a synchronization packet is generated amid other types of packets. The FTMSYNCRELOAD register sets the number of packets for which a synchronization packet must be generated.

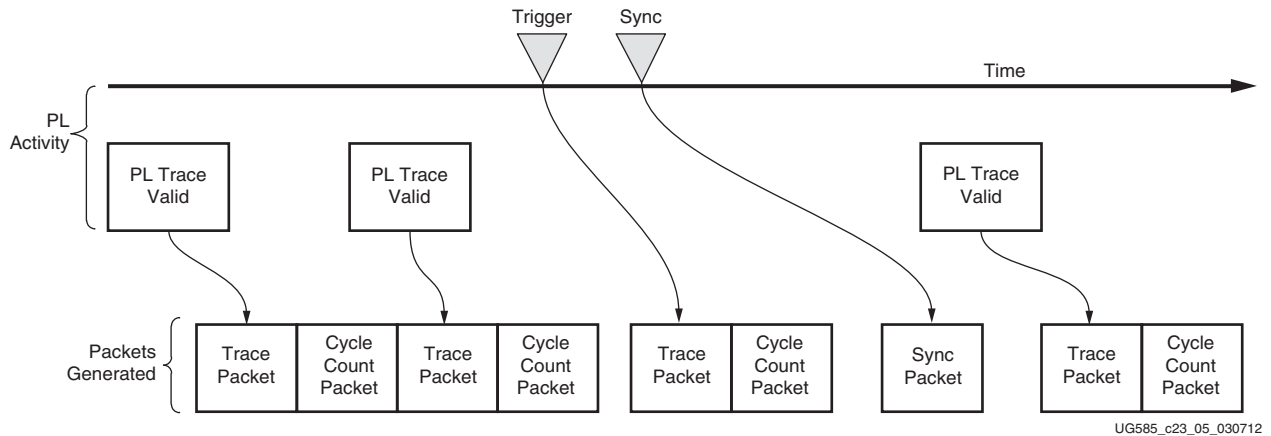


Figure 23-5: Packet Generation, Synchronization Case

## 23.2.3 Packet Format

### General Format

A packet consists of a number of bytes. Table 23-1 shows the basic format of a packet. Except for the synchronization packet and the cycle count packet, the first and the last bytes of a packet have their MSB set to 0 to signify the start/stop of the packet; all bytes between the first and the last bytes have their MSB set to 1.

Table 23-1: General Packet Format

Byte	[7]	[6:0]
0	0	type
1	1	data
...	1	data
n	0	data

Table 23-2 shows the encoding values for the “type” byte.

Table 23-2: “Type” Byte Encoding

Type	[7]	[6:3]	[2:0]
Trace packet	0	trace[3:0]	101
Trigger packet	0	0100	000
Cycle count packer	1	count[3:0]	100

Table 23-2: "Type" Byte Encoding (Cont'd)

Type	[7]	[6:3]	[2:0]
FIFO overflow packet	0	1101	000
Synchronization packet	0	0000	000

## Trace Packet

A trace packet contains the 32-bit value from each captured FTMDTRACEINDATA[31:0] from the PL. The MSB of the last byte is determined by the presence of an immediately following cycle count packet. If a cycle count packet follows, the MSB is 1, otherwise it is 0.

Table 23-3: Trace Packet Format

Byte	[7]	[6:0]
0	0	data[3:0], 101
1	1	data[10:4]
2	1	data[17:11]
3	1	data[24:18]
4	count	data[31:25]

## Trigger Packet

A trigger packet is generated for each acknowledged trigger input [0] from the PL, i.e., when both FTMTF2PTRIG[0] and FTMTF2PTRIGACK[0] are High.

Table 23-4: Trigger Packet Format

Byte	[7:0]
0	0x20
1	0xA0
2	0xA0
3	0x20 or 0xA0

## Cycle Count Packet

A cycle count packet is generated when FTMCONTROL[CYCEN] is set, and a trace packet or a trigger packet is generated. It contains a binary count value taken from the current value of the internal 32-bit free-running counter. It is always a continuation of an immediately preceding trace packet or trigger packet.

Table 23-5: Cycle Count Packet Format

Byte	[7]	[6:0]
0	1	count[3:0], 100
1	1	count[10:4]
2	1	count[17:11]

Table 23-5: Cycle Count Packet Format (Cont'd)

Byte	[7]	[6:0]
3	1	count[24:18]
4	0	count[31:25]

### FIFO Overflow Packet

A FIFO overflow packet is generated when a FIFO overflow occurs.

Table 23-6: Overflow Packet Format

Byte	[7:0]
0	0x68
1	0xE8
2	0xE8
3	0x68

### Synchronization Packet

A synchronization packet allows the packet analysis tools to periodically re-align to correct packet boundaries, because the packet formatter does not maintain 32-bit word boundaries for packets. The synchronization packet follows the same format as other CoreSight components.

Table 23-7: Synchronization Packet Format

Byte	[7:0]
0-7	0x00
8	0x80

## 23.3 Signals

The FTM control signals are described in the following sections.

### 23.3.1 General-Purpose Debug Signals

Table 23-8: General-Purpose Debug Signals

Group	PS-PL Signal	IO	Description
General purpose debug output	FTMP2FDEBUG[7:0]	O	The FTMP2FDBG0 register controls its value.
	FTMP2FDEBUG[15:8]	O	The FTMP2FDBG1 register controls its value.
	FTMP2FDEBUG[23:16]	O	The FTMP2FDBG2 register controls its value.
	FTMP2FDEBUG[31:24]	O	The FTMP2FDBG3 register controls its value.

Table 23-8: General-Purpose Debug Signals

Group	PS-PL Signal	IO	Description
General purpose debug input	FTMTF2PDEBUG[7:0]	I	The FTMTF2PDBG0 register shows its value.
	FTMTF2PDEBUG[15:8]	I	The FTMTF2PDBG1 register shows its value.
	FTMTF2PDEBUG[23:16]	I	The FTMTF2PDBG2 register shows its value.
	FTMTF2PDEBUG[31:24]	I	The FTMTF2PDBG3 register shows its value.

### 23.3.2 Trigger Signals

Table 23-9: Trigger Signals

Group	PS-PL Signal	IO	Description
Trigger from PS to PL	FTMTP2FTRIG[3:0]	O	Each bit is an asynchronous trigger signal from the CoreSight ECT structure in the PS to the PL. Users must program the CTI connected to the FTM to enable these trigger output signals.
	FTMTP2FTRIGACK[3:0]	I	Each bit is the asynchronous acknowledge signal for the corresponding FTMTP2FTRIG signal.
Trigger from PL to PS	FTMTF2PTRIG[3:0]	I	Each bit is an asynchronous trigger signal from the PL to the CoreSight ECT structure in the PS. Users must program the CTI connected to FTM to enable these trigger input signals.
	FTMTF2PTRIGACK[3:0]	O	Each bit is the asynchronous acknowledge signal for the corresponding FTMTF2PTRIG signal.

### 23.3.3 Trace Signals

Table 23-10: Trace Signals

Group	PS-PL Signal	IO	Description
Trace from PL to PS	FTMDTRACEINCLOCK	I	Clock signal for the trace data interface. Asynchronous to the PS.
	FTMDTRACEINVALID	I	When this signal is sampled High by the PS using FTMDTRACEINCLOCK, the values on TRMDTRACEINDATA and FTMDTRACEINATID are valid.
	FTMDTRACEINDATA[31:0]	I	Trace data. All 32 bits must be provided.
	FTMDTRACEINATID[3:0]	I	Trace ID to be carried over to the ATB. All 4 bits must be provided.

## 23.4 Register Overview

Table 23-11: Register Overview

Function	Name	Overview
Control	FTMGLBCTRL FTMCONTROL	Enable FTM, enable cycle count packets, enable trace packets.
Status	FTMSTATUS	Idle status, security signal values, FIFO full/empty.
General debug	FTMP2FDBG FTMF2PDGB	Set the values of the signals presented to the PL. Read the values of the signals from the PL.
Cycle counter prescaler	FTMCYCCOUNTPRE	Set the prescaler value for the cycle counter.
Synchronization counter	FTMSYNCRELOAD FTMSYNCCOUNT	Set how often synchronization packets should be generated.
Configuration	FTMATID	Set the ATID value to the ATB bus.
CoreSight management	Peripheral ID Component ID Device ID, type Authentication Integration test	These registers provide: <ul style="list-style-type: none"> <li>• Identification information</li> <li>• Authentication and access control</li> <li>• Integration test</li> </ul>

## 23.5 Programming Model

### 23.5.1 FTM Security

FTM security is controlled through the use of the standard CoreSight mechanisms, the SPNIDEN, SPIDEN, NIDEN, and DBGEN signals from the DevC module.

The following actions are taken by the FTM when the corresponding signals are asserted:

- SPNIDEN: FTM trace operations can be enabled.
- SPIDEN: The FTMP2FDBG registers can be modified.
- NIDEN: No effect.
- DBGEN: No effect.



# Power Management

---

## 24.1 Introduction

Power optimization can start with selecting the right Zynq-7000 AP SoC device. For low-power applications, choose either the 7z010 or 7z020 device. Power can dramatically be reduced by shutting-down the PL side of the device. I/O voltage and termination choice also affects power consumption. The clocks to individual PS subsystems can be stopped.

The functionality of the PS is the same for all Zynq-7000 AP SoC devices, but the PL resources and clocking frequency varies with device type. The PL resource counts are listed in section [21.1.2 PL Resources by Device Type](#). The clock frequencies are listed in the device data sheets.

Detailed device level power estimates for the PS and PL can be obtained using the XPE power estimator spreadsheet. Power specifications are found in the Zynq-7000 AP SoC device datasheets (see [Appendix A, Additional Resources](#) for a list of related documents).

### 24.1.1 Features

Key system power management features are as follows.

- Choose between device technology:
  - 7z010 and 7z020 (derived from Artix AP FPGA technology)
  - 7z030, 7z045, and 7z100 (derived from Kintex AP FPGA technology)
- PL power-off
- Cortex A9 processor standby mode
- Clock gating for most PS subsystems
- Three PLLs can be programmed to minimize power consumption
- Subsystem clocks can be programmed for optional clock frequency
- Programmable voltage for I/O Banks:
  - MIO: HSTL 1.8V, LVCMOS 1.8V, 2.5V and 3.3V
  - DDR: DDR2 1.8V, DDR3 1.5V and LPDDR2 1.2V
- DDR3 and LPDDR2 low power mode
- DDR 16 or 32-bit data I/O
- Internal and external voltage measurements using XADC

## 24.2 System Design Considerations

The section includes these system design considerations:

- [24.2.1 Device Technology Choice](#)
- [24.2.2 PL Power-down Control](#)
- [24.2.3 APU Maximum Frequency](#)
- [24.2.4 DDR Memory Clock Frequency](#)
- [24.2.5 DDR Memory Controller Modes and Configurations](#)
- [24.2.6 Boot Interface Options](#)
- [24.2.7 PS Clock Gating](#)

### 24.2.1 Device Technology Choice

There is a power and performance distinction between the low power devices (7z010, 7z020) and the high performance devices (7z030, 7z045, and 7z100). The low power devices are derived from the 7 series Artix AP FPGAs. The larger and higher performance devices are derived from the Kintex AP FPGAs.

Within the PS and PL, multiple power supplies are used to power core logic, I/Os, and auxiliary circuits. Independent I/O banks allow a mix of 1.8V, 2.5V, and 3.3V I/O standards. The PS also contains a DDR interface supporting DDR2, DDR3, and LPDDR2 which operate at 1.8V, 1.5V and 1.2V, respectively.

The Zynq-7000 AP SoC family supports voltage and temperature monitoring by utilizing the sensors in the Xilinx ADC (XADC) subsystem (refer to [Chapter 30, XADC Interface](#)). The XADC provides real-time monitoring of voltage and temperature levels within the device.

### 24.2.2 PL Power-down Control

In case the PL is not used, it can be completely shut down to save power. This requires independently connected power supplies for the PS and PL. Furthermore, some restrictions apply during boot and power off. Please refer to section [6.2.2 Power Requirements](#), and [DS187](#) and [DS191](#), *Zynq-7000 All Programmable SoC DC and AC Switching Characteristics* for more details.

The PL power system can be controlled via GPIOs, the I2C controller, or an external processor. When the PL is powered off all PS to PL signals, including EMIO, PL AXI, should not be accessed.

The PL loses its configuration when powered down and must be reconfigured when it is powered on again. Software should determine when it is safe to power down the PL.

### 24.2.3 APU Maximum Frequency

For applications which do not require the maximum amount of processing performance, the APU maximum frequency can be reduced to meet application needs. A lower clock frequency can significantly reduce the operating power when compared to operating at a higher frequency.

### 24.2.4 DDR Memory Clock Frequency

For applications which do not require the maximum amount of DDR bandwidth, the DDR bandwidth can be reduced to meet application needs. This can reduce operating power significantly compared operating at a higher frequency, but more importantly, allows the use of lower power DDR standards and configurations.

### 24.2.5 DDR Memory Controller Modes and Configurations

The DDR2, DDR3, and LPDDR2 DDR standards are supported in both 16- and 32-bit data operation. DDR power can be a significant percentage of total power, so minimizing DDR power is an important means of reducing system power.

The following features impact DDR power:

- The highest power DDR standard is a DDR2 due to the 1.8V operating voltage and the termination requirements.
- The highest speed DDR standard is DDR3 operating up to 1,066 Mb/s in -1 devices.
- The lowest power interface DDR standard is LPDDR2 due to the 1.2V operating voltage and the unterminated I/Os, however rates are limited compared to DDR3.
- DDR width can be set to 16 or 32 bits. Note that, for ECC, use a 32-bit bus width (16-bit data, 10-bit ECC).
- The total number of DDR devices in the system impacts system power. For example, four 8-bit DDR devices have a higher system power than two 16-bit devices.
- 32-bit DDR devices are available only for LPDDR2.
- Termination strength: If possible use the highest possible termination value. A termination value of 40Ω is 50% more termination power than 60Ω.

### 24.2.6 Boot Interface Options

The PS supports boot from Quad-SPI, NAND, and NOR devices. Boot devices do not impact system level dynamic power as the boot process only occurs once at device power up. Lower voltage 1.8V devices are of lower static power than higher 3.3V devices.

### 24.2.7 PS Clock Gating

The PS supports many clock domains, each with independent clock gating control. When the system is in run mode, the user is allowed to shut down the clock domains that are not used and reduce the dynamic power dissipation.

## 24.3 Programming Guides

### 24.3.1 System Modules

Table 24-1: Power Management for System Modules

System Module	Clocked in Standby Mode	Description
APU	Yes	Clocks are stopped automatically if enabled, refer to text.
SCU (with GIC)	Yes	Clocks are stopped automatically if enabled, refer to text.
L2-Cache	Yes	Clocks are stopped automatically if enabled, refer to text.
Interconnect	Yes	Clocks are stopped automatically if enabled, refer to <a href="#">Chapter 25, Clocks</a> .
Peripherals	Depends	Peripheral used as a wake-up source must be clocked, refer to <a href="#">Table 24-2</a> .
Clocks	Partial	

#### Cortex-A9 Power Reduction

The APU supports dynamic clock gating. This feature can be enabled in the CP15 Power Control Register. If enabled, the clocks to the CPU internal blocks are dynamically disabled in idle periods. The gated blocks are:

- Integer core
- System control block
- Data engine

#### SCU Dynamic Power Reduction

The SCU features a standby mode which is enabled by setting the corresponding bit in the `mpcore.SCU_CONTROL_REGISTER`. When this feature is enabled the SCU stops its internal clocks when the following conditions are met:

- CPUs are in WFI mode.
- No pending requests on the ACP
- No remaining activity in the SCU

The SCU resumes normal operation when a CPU leaves WFI mode or a request on the ACP occurs.

#### L2 Cache Controller Dynamic Power Reduction

The L2 cache controller supports dynamic power reduction features which allow saving power when the CPUs are in *WFI* or *WFE* modes. These features are controlled by their corresponding enable bit in the `l2cpl310.reg15_power_ctrl` register.

### Dynamic Clock Gating

When the dynamic high-level clock-gating feature is enabled, the cache controller stops its clock when it is idle. It does not stop the clock immediately when it is idle, but after it counts several clock cycles.

### Standby Mode

The L2 cache controller’s standby mode can be used in conjunction with the *WFI* mode of the processor that drives the L2 cache controller. When a processor is in the *WFI* mode, and standby mode is enabled the L2 cache controller stops its internal clocks.

These two power saving modes are very similar and the dynamic clock gating feature is a superset of the standby mode. In standby mode, though, clock gating is limited to *WFI* states, thus making L2 cache accesses more predictable under normal run conditions.

## 24.3.2 Peripherals

The primary peripheral power management mechanisms are clock scaling and gating. [Chapter 25, Clocks](#) describes the system clocks and how they can be controlled through dividers, gates, and multiplexers. [Table 24-2](#) gives a brief overview of the power management capabilities for the device subsystems. Every peripheral includes clock gating and, in some cases, low-power states.

With all these pieces working together, the system-level sleep mode is defined. (Refer to section [24.4 Sleep Mode](#).) In sleep mode the whole chip enters a low-power state, waiting for a wake-up event to continue operation.

### Peripheral Clock Gating

For peripherals with an independent clock domain for the interconnect, disable the device's interconnect clock last and enable it first to avoid accesses to inaccessible register areas. See [Chapter 25, Clocks](#) and the respective chapter for a peripheral for additional details.

Table 24-2: Power Management for Peripheral Controls

Peripheral	Wake-up Source	Clock Gating Low-Power Mode	Other Low-Power Modes
PCAP	No	No	None
Timers	Yes <a href="#">Chapter 8, Timers</a>	Yes <a href="#">Chapter 25, Clocks</a>	None
DMA Controller	No	Yes <a href="#">Section 9.6 System Functions</a>	None
DDR Controller	No	Yes <a href="#">Section 10.9 Programming Model</a>	
Static Memory Controller	No	Yes <a href="#">11.2.2 Clocks</a>	None

Table 24-2: Power Management for Peripheral Controls (Cont'd)

Peripheral	Wake-up Source	Clock Gating Low-Power Mode	Other Low-Power Modes
Quad-SPI Controller	No	Yes Section 12.4 System Functions	None
SDIO Controller	No	Yes Chapter 25, Clocks	None
GPIO Controller	Yes Section 14.4 System Functions	Yes Section 14.4 System Functions	None
USB Controller		Yes Chapter 15, USB Host, Device, and OTG Controller	Suspended/Resume Chapter 15, USB Host, Device, and OTG Controller
Ethernet Controller		Yes Chapter 25, Clocks	
SPI Controller	No	Yes 18.4 System Functions	
CAN Controller		Yes 18.4 System Functions	Sleep Mode 18.2.1 Controller Modes
UART Controller	Yes 19.3.5 RxFIFO Trigger Level Interrupt	Yes 19.4 System Functions	None
I2C Controller	No	Yes 20.4 System Functions	None
Programmable Logic		Yes Chapter 25, Clocks	User Defined

### 24.3.3 I/O Buffers

Power management for I/O buffer controls are shown in Table 24-3.

Table 24-3: Power Management for I/O Buffer Controls

I/O Buffer	Signal Voltage	Termination and Mode
DDR	1.8V/1.5V/1.2V	See section 10.6.3 DDR IOB Configuration
MIO0 and MIO1	1.8V/2.5V/3.3V	

## 24.4 Sleep Mode

Sleep mode is defined at the system level to include the APU in standby mode and multiple controllers being held in reset without a clock.

Going into sleep mode can greatly reduce power consumption. In sleep mode, most function clock groups are turned off or powered off. The only required active devices are one CPU, the snoop control unit (SCU), and a wake-up device. Ideally, the only devices causing dynamic power consumption should be the SCU and the wake-up peripheral device. The wake-up device can be UART, GPIO, or any device that can generate an interrupt.

If the wake-up device is an AXI bus master, which can start transactions targeting the DRAM, additional limitations apply. Because the whole interconnect and the DDR memory are in low power modes and inaccessible, it must be assured that the CPU goes through the full wake-up process before any transactions to the DRAM take place. This guarantees that potential transactions targeting the DRAM are served correctly.

### 24.4.1 Setup Wake-up Events

Every interrupt signaled to the PS can be used as a wake-up event. To make this happen, the wanted interrupt must be enabled in the peripheral and the GIC. A wake-up device must be able to generate the interrupt in sleep mode, which means, that its clocks might not be gated off. See [GPIO as Wake-up Event, page 374](#) for more information.

Refer to the respective chapter for information about available interrupts and how to configure the peripherals to generate them.

### 24.4.2 Programming Guide

The following shows the preliminary steps to enter PS sleep mode from normal running mode and exit from it. In sleep mode, the master CPU is responsible for shutting down all non-wake up devices, including all other masters in the system and the PL, if possible. Since clock frequencies change when clock dividers and PLL configurations are changed, configuring a wake-up device might not only mean activating the wanted wake-up interrupt, but also changing the peripheral configuration to be able to cope with the modified clock frequency. If both CPUs are running, the master CPU should shut down the secondary CPU first before proceeding with the steps described below. It is user's choice, which CPU acts as master CPU. Furthermore, precautions must be taken to keep code which is executed while the DDR clocks are disabled accessible in this period e.g., by placing those code-segments in OCM, or locking the L2 cache and TLB. Depending on the actual implementation this can, amongst others, apply to:

- Code executed when DDR is not available
- Routine for entering and exiting standby mode
- Translation table
- Stacks

The location of the currently used translation table(s) and stacks are controllable through the TTBR and SP registers, respectively. This allows switching between different structures for normal running mode and standby mode if needed.

During the standby sequence interrupts are disabled in the CPUs. This way execution cannot be interrupted while entering standby mode and once the wake-up event occurs execution resumes right after the *wfi* instruction instead of jumping to a vector table. The wake-up interrupt must be enabled in the corresponding wake-up device and in the GIC interrupt controller to cause a qualified wake-up event. Once interrupts are re-enabled after waking up, the wake-up interrupt is still pending and causes the CPU to jump to its interrupt handler, as usual.

## Enter Sleep Mode

A CPU must execute the following steps to enter sleep mode from normal run mode:

1. **Disable interrupts.** Execute `cpsid if`.
2. **Configure wake-up device.**
3. **Enable L2 cache dynamic clock gating.** Set `l2cpl310.reg15_power_ctrl[dynamic_clk_gating_en] = 1`.
4. **Enable SCU standby mode.** Set `mpcore.SCU_CONTROL_REGISTER[SCU_standby_enable] = 1`.
5. **Enable topswitch clock stop.** Set `slcr.TOPSW_CLK_CTRL[CLK_DIS] = 1`.
6. **Enable Cortex-A9 dynamic clock gating.** Set `cp15.power_control_register[dynamic_clock_gating] = 1`.
7. **Put the external DDR memory into self-refresh mode.** Refer to section [10.9.6 DDR Power Reduction](#).
8. **Put the PLLs into bypass mode.** Set `slcr.{ARM, DDR, IO}_PLL_CTRL[PLL_BYPASS_FORCE] = 1`.
9. **Shut down the PLLs.** Set `slcr.{ARM, DDR, IO}_PLL_CTRL[PLL_PWRDWN] = 1`.
10. **Increase the clock divisor to slow down the CPU clock.** Set `slcr.ARM_CLK_CTRL[DIVISOR] = 0x3f`.
11. **Execute the *wfi* instruction to enter WFI mode.**

## Exit Sleep Mode

Exiting sleep mode is triggered by the configured interrupt occurring. The interrupt wakes up the CPU which resumes execution. The newly starting activity also triggers the topswitch, SCU, and L2 cache controller to leave their idle states and continue normal operation. The procedure for waking up is outlined below.

To exit from sleep mode:

1. **Restore CPU clock divisor setting.** Set `slcr.ARM_CLK_CTRL[DIVISOR] = <original value>`.
2. **Power on the PLLs.** Set `slcr.{ARM, DDR, IO}_PLL_CTRL[PLL_PWRDWN] = 0`.
3. **Wait for PLL power-on and lock.** Wait for `slcr.PLL_STATUS[{ARM, DDR, IO}_PLL_LOCK] == 1`.
4. **Disable PLL bypass mode.** Set `slcr.{ARM, DDR, IO}_PLL_CTRL[PLL_BYPASS_FORCE] = 0`.



5. **Disable L2 cache dynamic clock gating.** Set `l2cpl310.reg15_power_ctrl[dynamic_clk_gating_en] = 0`.
6. **Disable SCU standby mode.** Set `mpcore.SCU_CONTROL_REGISTER[SCU_standby_enable] = 0`.
7. **Disable Interconnect clock stop.** Set `slcr.TOPSW_CLK_CTRL[CLK_DIS] = 0`.
8. **Disable Cortex-A9 dynamic clock gating.** Set `cp15.power_control_register[dynamic_clock_gating] = 0`.
9. Enable all required peripheral devices, including DDR controller clocks.
10. **Re-enable and serve interrupts.** Execute `cpsie if`.



**IMPORTANT:** *Bypassing the PLLs and modifying clock dividers change the clock frequencies in the system. Proper care must be taken clocking the wake-up device, and watchdog timers (if used), etc., under these conditions.*

## 24.5 Register Overview

Table 24-4 provides an overview of the power management registers.

Table 24-4: Power Management Register Overview

Register	Description	Comment
<b>APU</b>		
cp15.Power Control register		Control APU power management features
cp15.TTBR	Translation Table Base register	
mpcore.SCU_CONTROL_REGISTER		Enable/disable SCU standby mode
l2cpl310.reg15_power_ctrl	Power Control register	
<b>DDR</b>		
ddrc.ctrl_reg1	DDRC control register (1)	Set DDRC operating mode (e.g. self-refresh)
ddrc.DRAM_param_reg3	DRAM parameters (3)	Enable/disable clock stop
ddrc.mode_sts_reg	Controller operation mode status	
<b>PS Clock Module</b>		
slcr.{ARM, DDR, IO}_PLL_CFG	Program PLL clock generators	
slcr.xxx_CLK_CTRL	Enable CPU_1x and reference clocks	
slcr.PLL_STATUS	PLL stable/lock status	
slcr.DDR_CMD_STA	DDR command store status	

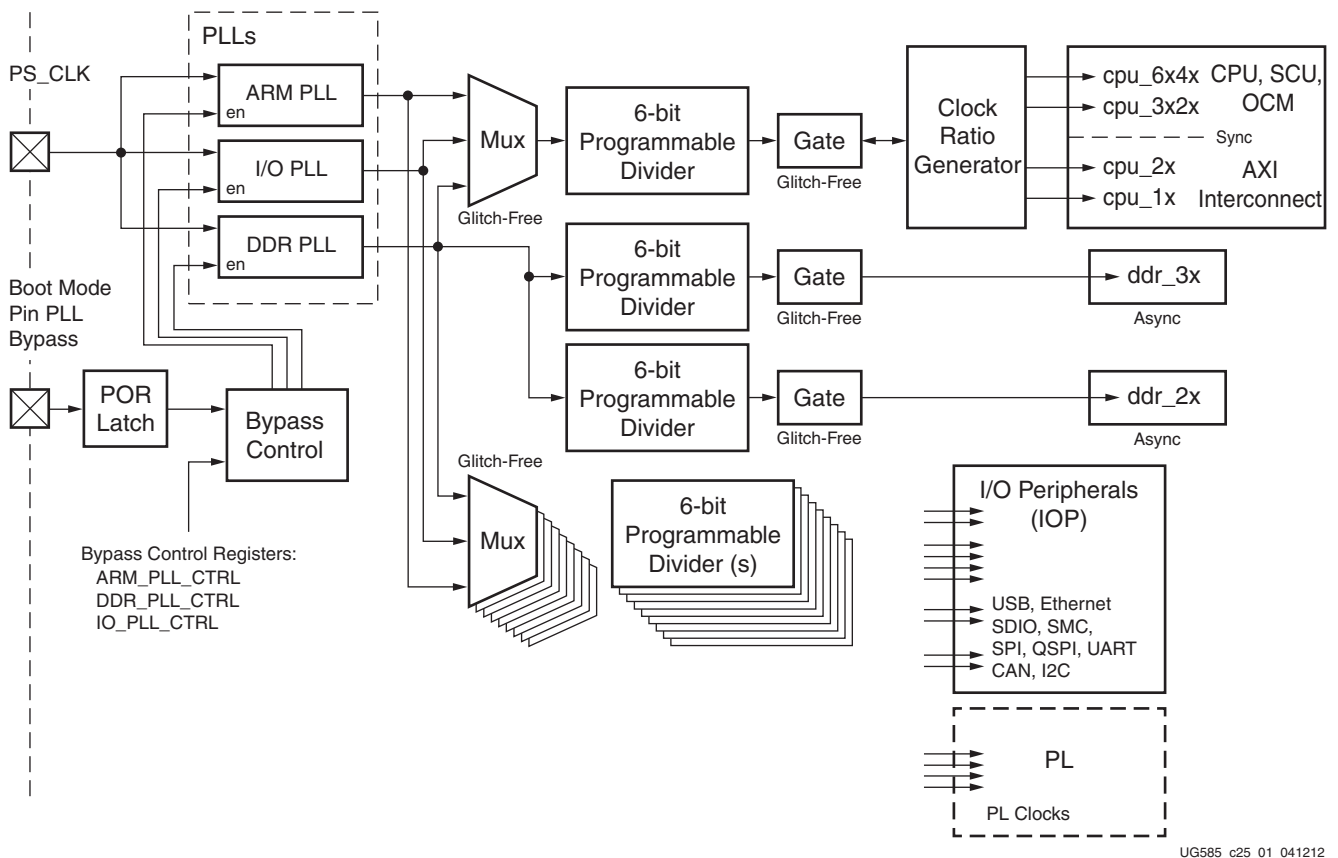
# Clocks

## 25.1 Introduction

All of the clocks generated by the PS clock subsystem are derived from one of three programmable PLLs: CPU, DDR and I/O. Each of these PLLs is loosely associated with the clocks in the CPU, DDR and peripheral subsystems.

### 25.1.1 System Block Diagram

The major components of the clock subsystem are shown in [Figure 25-1](#).



UG585\_c25\_01\_041212

Figure 25-1: PS Clock System Block Diagram

## 25.1.2 Clock Generation

During normal operation, the PLLs are enabled, driven by the PS\_CLK clock pin. In bypass mode, the clock signal on the PS\_CLK pin provides the source for the various clock generators instead of the PLLs. (Refer to the applicable Zynq-7000 AP SoC data sheet for PS\_CLK characteristics.)

When the PS\_POR reset signal deasserts, the PLL bypass boot mode pin is sampled and selects between PLL bypass and PLL enabled for all three PLLs. The bypass mode runs the system significantly slower than normal mode, but is useful for low-power applications and debug. After the boot process and when the user code executes, the bypass mode and output frequency of each PLL can be individually controlled by software.

The clock generation paths include glitch-free multiplexers and glitch-free clock gates to support dynamic clock control.

### Three Programmable PLLs

- Single external reference clock input for all three PLLs
  - ARM PLL: Recommended clock source for the CPUs and the interconnect
  - DDR PLL: Recommended clock for the DDR DRAM controller and AXI\_HP interfaces
  - I/O PLL: Recommended clock for I/O peripherals
- Individual PLL bypass control and frequency programming
- Shared bandgap reference voltage circuit for VCOs

### Clock Branches

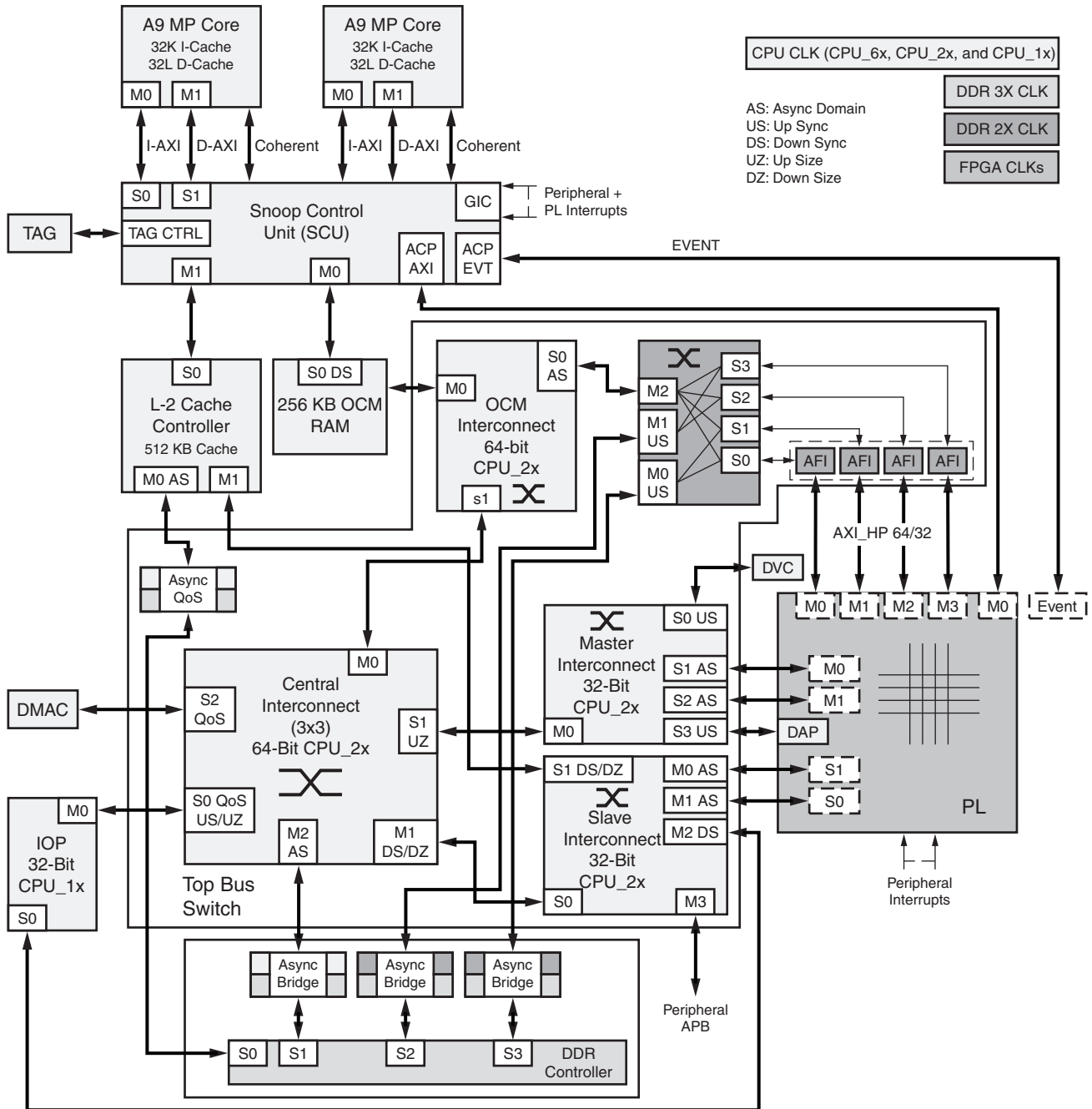
- Six-bit programmable frequency dividers
- Dynamic switching on most clock circuits
- Four clock generators for the PL

### Reset

The clock subsystem is an integral part of the PS and is only reset when the entire system is reset. When this occurs, all of the registers that control the clocking module return to their reset values.

### 25.1.3 System Viewpoint

Figure 25-1 shows the clock network and related domains from a system viewpoint.



UG585\_c25\_02\_021213

Figure 25-2: System Clock Domains

A version of the CPU clock is used for most of the internal clocking. The asynchronous DMA peripheral request interfaces between the DMAC and the PL are not shown in [Figure 25-2](#). In addition, PL AXI channels (AXI\_HP, AXI\_ACP and AXI\_GP) have asynchronous interfaces between the PS and PL. The synchronization, where the clock domain crossing occurs, is located inside the PS. Therefore, the PL provides the interface clock to the PS. Each of the aforementioned interfaces could use unique clocks in the PL.

## 25.1.4 Power Management

The overall approach to power management is described in [Chapter 24, Power Management](#). The clock generation subsystem facilitates clock disabling and frequency control which affects power consumption.

The PLL power consumption is directly related to the PLL output frequency. The power consumption can be reduced by using a lower PLL output frequency. Power can also be reduced if one or two of the PLLs are not required. For example, if all of the clock generators can be driven by the DDR PLL, then the ARM and I/O PLLs can be disabled to reduce power consumption. The DDR PLL is the only unit that can drive all of the clock generators.

Each clock can be individually disabled when not in use. In some cases, individual subsystems contain additional clock disabling and other power reduction features.

### Central Interconnect Clock Disable

The CPU clocks for the central interconnect (CPU\_2x and CPU\_1x) can be stopped by setting the TOPSW\_CLK\_CTRL [0] bit to a 1. When this bit is set, the clock controller waits for the AXI interfaces to the L2-cache and SCU to become idle and for the FPGAIIDLEN signal from the PL to assert before shutting off the clock to the central interconnect. For the other interfaces, the system software must ensure that the interfaces are idle before disabling the interconnect clock. As soon as the PS detects traffic on the L2-cache or the SCU, or the FPGAIIDLEN is deasserted, the clocks will be re-enabled.

## 25.2 CPU Clock

Figure 25-3 shows the clock generation network in the CPU clock domains.

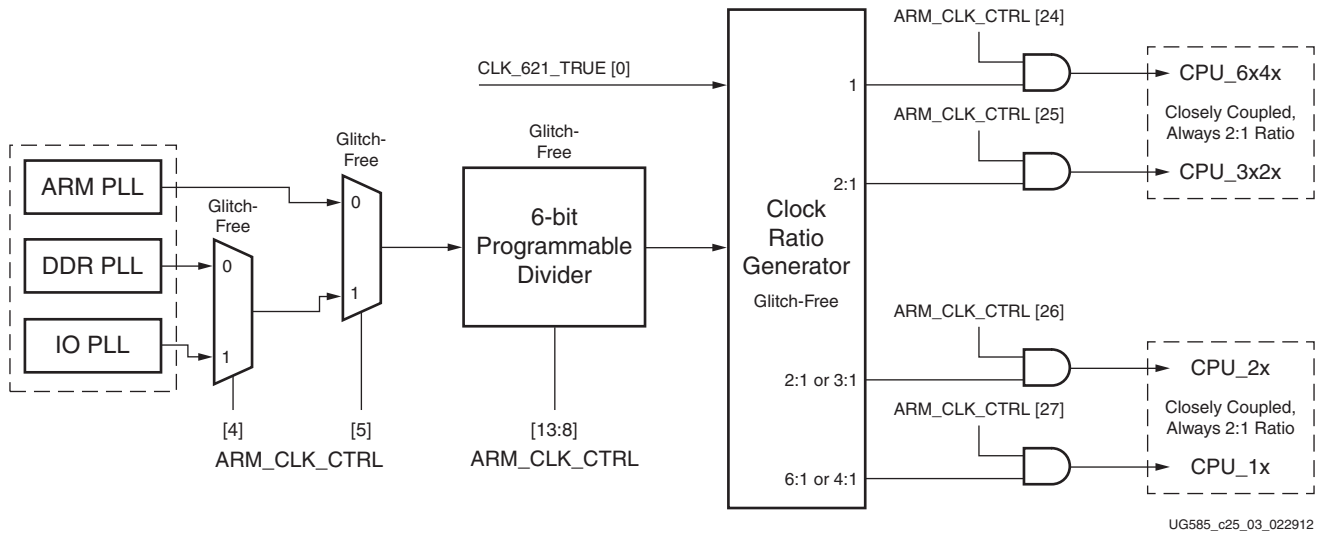


Figure 25-3: CPU Clock Generation and Domains

### Ratio Examples

The CPU clock domain operates in two modes 6:2:1 and 4:2:1. Table 25-1 shows example frequencies for these modes and modules operating in each clock domain. (See the applicable Zynq-7000 AP SoC data sheet for the specific allowed frequencies for each clock.)

Table 25-1: CPU Clock Frequency Ratio Examples

CPU Clock	6:2:1	4:2:1	Clock Domain Modules
CPU_6x4x	800 MHz (6 times faster than CPU_1x)	600 MHz (4 times faster than CPU_1x)	CPU clock frequency, SCU, and OCM arbitration, NEON, L2 cache memory
CPU_3x2x	400 MHz (3 times faster than CPU_1x)	300 MHz (2 times faster than CPU_1x)	APU timers
CPU_2x	266 MHz (2 times faster than CPU_1x)	300 MHz (2 times faster than CPU_1x)	I/O peripherals, central interconnect, master interconnect, slave interconnect, and OCM RAM
CPU_1x	133 MHz	150 MHz	I/O peripherals AHB and APB interface busses

### CPU Clock Divisor Restriction

To improve the quality of the high speed clocks going to the CPU and DDR, there is a requirement that they get divided by an even number in the slcr.ARM\_CLK\_CTRL [DIVISOR] bit field. For the slcr.ARM\_CLK\_CTRL [DIVISOR], software must program the following values: DIVISOR = 2, =4, or >4.

## Clock Usage

During normal usage, most system clocks will be derived by taking the input clock PS\_CLK, sending it through the PLL, and finally dividing it down to be used within the PS. While the PS generates many different clocks, as shown in [Figure 25-1](#), there are three clock domains that have the largest interaction and importance in the system: These are the DDR\_3x domain, the DDR\_2x domain, and the CPU clock domain. The DDR\_3x clock domain includes the DDR memory controller. The DDR\_2x domain is primarily used for the high performance AXI interfaces to the PL (AXI\_HP{0:3}) and the interconnect. The CPU clock domain controls the ARM processors along with many of the CPU peripherals.

The CPU clock domain is composed of four separate clocks: CPU\_6x4x, CPU\_3x2x, CPU\_2x, and CPU\_1x. These four clocks are named according to their frequencies, which are related by one of two ratios: 6:3:2:1 or 4:2:2:1 (abbreviated 6:2:1 and 4:2:1). The operating clock ratio is determined by the CLK\_621\_TRUE [0] bit value. In the 6:2:1 mode, the frequency of the CPU\_6x4x clock is 6 times as fast as the CPU\_1x clock. [Table 25-1, page 670](#) shows examples of how these clocks are related. Refer to the applicable Zynq-7000 AP SoC data sheet for the maximum clock frequency of each clock domain.

All the CPU clocks are synchronous to each other; while the DDR clocks are independent of each other and the CPU clocks. The I/O peripheral clocks, such as CAN reference clocks and SDIO reference clocks, are all generated by a similar method, starting from the PS\_CLK pin, through a PLL, then a divider, and finally to the peripheral destination. Each peripheral clock is completely asynchronous to all other clocks.

## Interconnect Clock Domains

The individual clock domains are shown in [Figure 25-2](#). The central interconnect has two main clock domains: the DDR\_2x and the CPU\_2x. For the five sub-switches, four clocks are in the CPU\_2x clock domain, while the memory interconnect clock is in the DDR\_2x clock domain. The direct path between the CPU (via the L2 cache) and DDR controller is in the DDR\_3x clock domain, ensuring maximum throughput. The direct path between CPU and OCM is in the CPU\_6x4x clock domain. The direct path between the SCU ACP and the PL is in the CPU\_6x4x clock domain (clock domain crossing between the PL clock domain and the CPU clock domain is done in an asynchronous AXI bridge on the PS side of the PL).

## CPU Clock Stop

Each CPU clock can be individually stopped using `slcr.A9_CPU_RST_CTRL.A9_CLKSTOP{0,1}`.

## PS Peripheral Clocks

Every peripheral within the PS is supplied with its own independently gated version of the CPU clock. This gating is applied with a glitch-free clock gate as shown in [Table 25-2](#).

Table 25-2: PS Peripheral Clock Control

AMBA Bus Peripheral	Base Clock	Control Bits in APER_CLK_CTRL 0: Disable 1: Enable	
DMAC	CPU_2x	DMA_CPU_2XCLKACT	[0]
USB 0	CPU_1x	USB0_CPU_1XCLKACT	[2]
USB 1	CPU_1x	USB1_CPU_1XCLKACT	[3]
GigE 0	CPU_1x	GEM0_CPU_1XCLKACT	[6]
GigE 1	CPU_1x	GEM1_CPU_1XCLKACT	[7]
SDIO 0	CPU_1x	SDIO0_CPU_1XCLKACT	[10]
SDIO 1	CPU_1x	SDIO1_CPU_1XCLKACT	[11]
SPI 0	CPU_1x	SPI0_CPU_1XCLKACT	[14]
SPI 1	CPU_1x	SPI1_CPU_1XCLKACT	[15]
CAN 0	CPU_1x	CAN0_CPU_1XCLKACT	[16]
CAN 1	CPU_1x	CAN1_CPU_1XCLKACT	[17]
I2C 0	CPU_1x	I2C0_CPU_1XCLKACT	[18]
I2C 1	CPU_1x	I2C1_CPU_1XCLKACT	[19]
UART 0	CPU_1x	UART0_CPU_1XCLKACT	[20]
UART 1	CPU_1x	UART1_CPU_1XCLKACT	[21]
GPIO	CPU_1x	GPIO_CPU_1XCLKACT	[22]
Quad-SPI	CPU_1x	LQSPI_CPU_1XCLKACT	[23]
SMC	CPU_1x	SMC_CPU_1XCLKACT	[24]

## System Performance

The clock frequencies of the different clock domains of the PS help dictate total system performance. In many cases, the highest frequency CPU clock results in the highest performance. However, some users will find that the CPU is not the critical performer in the system and that bandwidth across the interconnect is the bottleneck. In that case, it might be useful to switch the ratio from 6:2:1 to 4:2:1 mode. Depending on the device speed grade, the frequency of the CPU clocks might be limited by the `cpu_6x` while in 6:2:1 mode and might be limited by the `cpu_2x` clock while in 4:2:1 mode. Therefore, it is suggested that for those applications that might exchange some CPU performance for interconnect performance, check the appropriate data sheet to determine the optimal frequencies.

## 25.3 System-wide Clock Frequency Examples

There are two clock configuration examples for 6:2:1 mode in [Table 25-3](#). The first example is when the input `PS_CLK` is at 33.33 MHz and the second example is when the input frequency is at 50 MHz.



The PLL output frequency is determined by the frequency of the input clock PS\_CLK multiplied by the PLL feedback divider value (M value). The example below assumes the ARM PLL feedback divider value is 40, which generates an ARM PLL output frequency of 33.33 \* 40 = 1.33 GHz. For each of the clocks listed in the lower half of the table, the clock frequency equals the sourced PLL frequency divided by the divisor value. For some of the peripheral clocks, such as CAN, Ethernet, and the PL, there are two cascaded dividers.

Table 25-3: Clock Frequency Setting Examples for 6:2:1 Mode

PS_CLK			Example 1			Example 2		
PS_CLK			33.33 MHz			50 MHz		
PLL			PLL Feedback Divider Value		PLL Output Frequency	PLL Feedback Divider value		PLL Output Frequency
ARM PLL			40		1333	20		1000
DDR PLL			32		1067	16		800
I/O PLL			30		1000	20		1000
Clock	No.	PLL Source	Divisor 0	Divisor 1	Clock Frequency	Divisor 0	Divisor 1	Clock Frequency
cpu_6x4x	1	ARM PLL	2	~ <sup>(1)</sup>	667	2	~	500
cpu_3x2x	1	ARM PLL		~	333		~	250
cpu_2x	1	ARM PLL		~	222		~	167
cpu_1x	1	ARM PLL		~	111		~	83
ddr_3x	1	DDR PLL	2	~	533	2	~	400
ddr_2x	1	DDR PLL	3	~	356	3	~	267
DDR DCI	1	DDR PLL	7	15	10	7	15	8
SMC	1	IO PLL	10	~	100	12	~	83
Quad SPI	1	IO PLL	5	~	200	6	~	167
GigE	2	IO PLL	8	1	125	8	1	125
SDIO	2	IO PLL	10	~	100	10	~	100
UART	1	IO PLL	40	~	25	40	~	25
SPI	2	IO PLL	5	~	200	8	~	125
CAN	2	IO PLL	10	1	100	12	1	83
PCAP	1	IO PLL	5	~	200	6	~	167
Trace Port	1	IO PLL	10	~	100	15	~	67
PLL FCLKs	4	IO PLL	20	1	50	20	1	50

1. "~" in the table indicates that there is no second divider (not applicable).

## 25.4 Clock Generator Design

There are several different components to each clock generation circuit. This section describes a generic template that is used to explain the pieces used for all of the following I/O peripheral clocks. The most basic types include:

- 2-to-1 multiplexers for selecting a clock source
- Programmable divider(s)
- Glitch-free clock activation gate

These features are shown in [Figure 25-4](#).

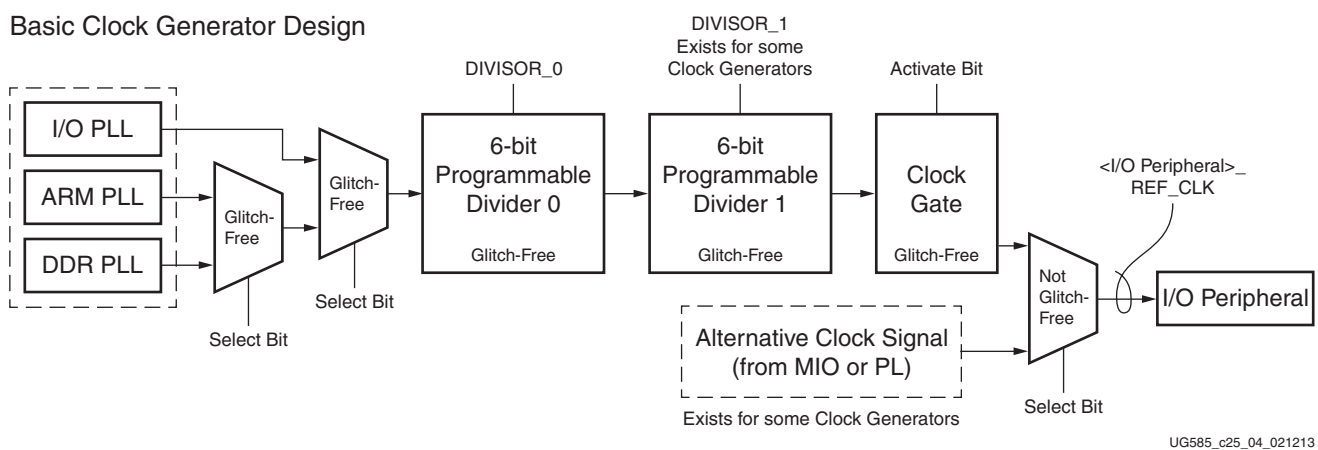


Figure 25-4: Basic Clock Branch Design

### PLL

The PLL uses a feedback divider to create an output clock that is equal to the input reference clock multiplied by the PLL\_FDIV value supplied by the SLCR.

### Glitch-Free Clock Multiplexers

When a dynamic selection is required between two clock sources, the glitch-free multiplexers (GFM) change the clock selection on the low phase of the clock before starting the newly selected clock at the beginning of its low phase. The GFM operates properly only if both input clocks are active. Switching while either of the clocks is inactive causes the switching operation to fail.

### Glitch-Free Divider

The glitch-free dividers take an input clock and divide it based on the divisor. When the divisor is changed, the output smoothly transitions to the new clock frequency without any glitches.

### Glitch-Free Clock Gate

The glitch-free clock gate is used when a dynamic gating is required to enable and disable a clock source. The gate ensures that the clock is terminated and re-enabled cleanly on its low phase.

### Clock Select Multiplexers

The clock source multiplexers select between the local clock generated by a clock generator and another source that is external to the clock generator. The clock source multiplexer is not glitch free.

## 25.5 DDR Clocks

There are two independent DDR clock domains: DDR\_2x and DDR\_3x. The DDR AXI interface, core, and PHY are all clocked by DDR\_3x (see Figure 25-5). The AXI\_HP ports and the AXI\_HP interconnect paths from the AXI\_HP to the DDR Interconnect module are clocked by DDR\_2x.

These clocks are asynchronous to each other and can have a wide range of frequency ratios between them. The DIVISOR (DDR\_CLK\_CTRL[25:20]) for the DDR\_3CLK must be an even value. The DIVISOR for DDR\_2X can be any value.

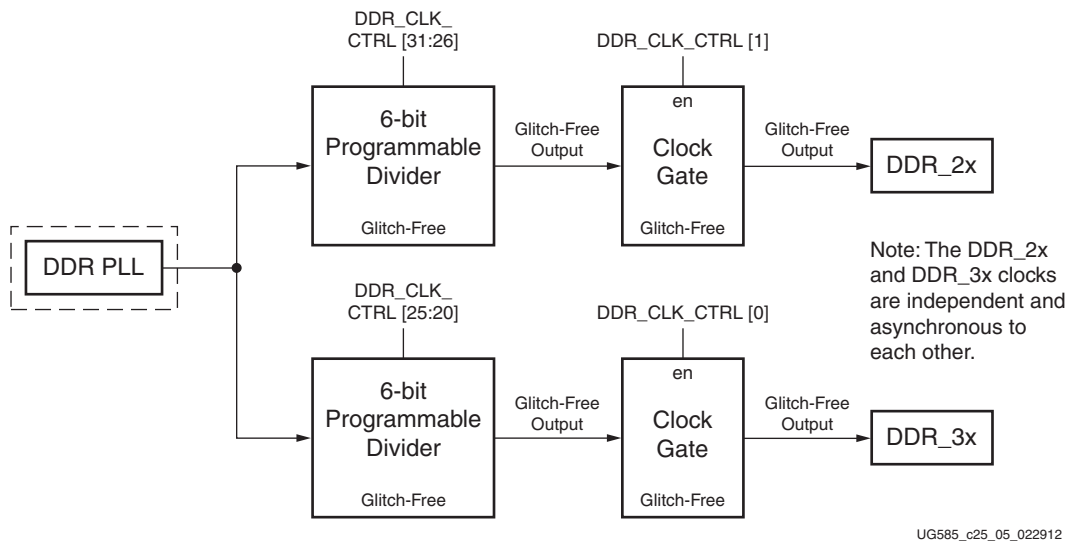


Figure 25-5: DDR Clock Generation

## 25.6 IOP Clock Generator

I/O peripheral (IOP) clocks:

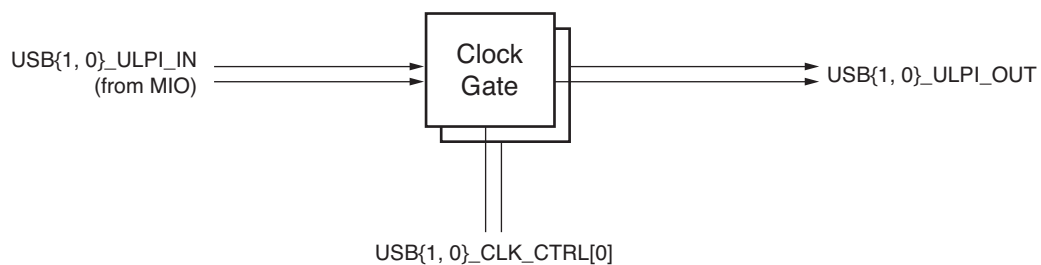
- USB
- Ethernet
- SDIO
- SMC
- SPI
- Quad-SPI
- UART
- CAN
- GPIO
- I2C

### 25.6.1 USB Clocks

The ULPI clock comes from a USB MIO pin. The ULPI clock is gated with an enable as shown in [Figure 25-6](#). USB clocks are described in [Chapter 15, USB Host, Device, and OTG Controller](#).



**IMPORTANT:** The USB controller requires that the CPU\_1x clock frequency must be higher than the 60 MHz ULPI clock from the external PHY.



UG585\_c25\_06\_022712

Figure 25-6: USB Clocks

## 25.6.2 Ethernet Clocks

The Ethernet Clocks generation network is shown in Figure 25-7.

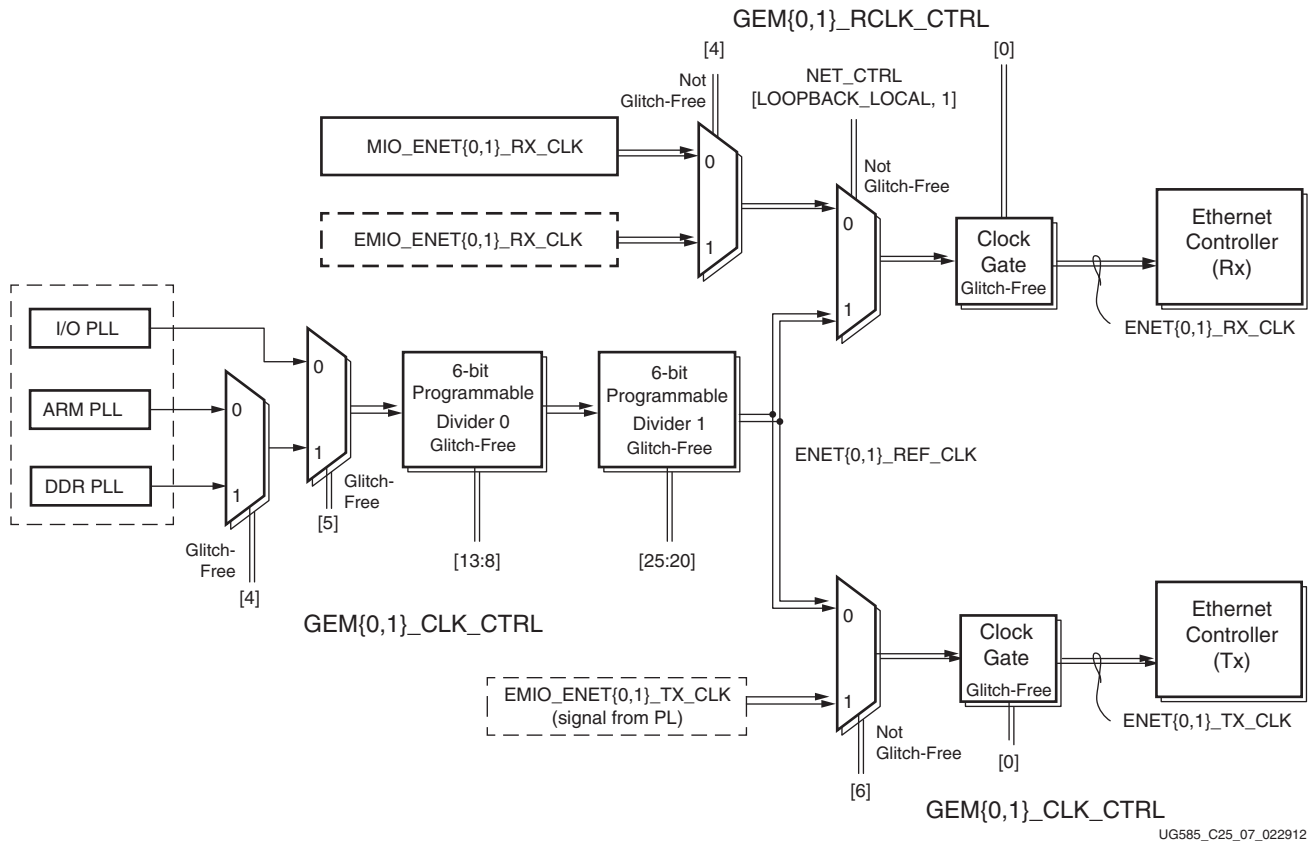


Figure 25-7: Ethernet Clock Generation

### Ethernet Receiver Clocks

There are two Ethernet receiver clocks. In normal functional mode, these are either sourced from an external Ethernet PHY via the MIO or an extended MIO (EMIO). For MAC internal loopback mode, these clocks are sourced from the internal Ethernet reference clocks. They are also gated with an enable that can be used for power saving control. These are used to clock the receiver side of the Gigabit Ethernet MAC IP.

The source selection multiplexer and the loopback selection multiplexer are not glitch free because the source clocks might not be present. It is recommended that the clock be disabled before the multiplexers are changed. To support loopback mode, enet0\_rx\_clk and enet1\_rx\_clk are supplied with enet0\_ref\_clk and enet1\_ref\_clk.

### Ethernet Transmit Clocks

Two Ethernet clocks are required to be generated: enet0\_tx\_clk and enet1\_tx\_clk. These are used to clock the transmit side of the Ethernet MACs and as a source synchronous output clock for the RGMII

interface. They are also used to provide a stable reference clock to the Ethernet receive paths when internal loopback mode is selected.

These clocks can also be sourced from the EMIO. In this case, the associated RGMII interface is disabled and the MAC connects to the PL through an MII or GMII interface. In this case, the Ethernet reference clock must be provided by the PL. This is regardless of MII or GMII, where normally tx\_clk is an input in MII and an output in GMII.

When operating in MII or GMII mode, its reference clock is provided by the PL through the eth\*\_emio\_tx\_clk. The EMIO source multiplexer is not glitch free because the EMIO source clock cannot be relied upon to be present. It is anticipated that this source selection is a static configuration or that the generated clock be gated before changing to the EMIO source. To support loopback mode, gem0\_rx\_clk and gem1\_rx\_clk are supplied with gem0\_ref\_clk and gem1\_ref\_clk.

### 25.6.3 SDIO, SMC, SPI, Quad-SPI and UART Clocks

The SDIO, SMC, Quad SPI, and UART peripheral clocks all have the same programming model (see Figure 25-8). The PLL source and divider values are shared for each I/O peripheral controller. The clocks for each SDIO, SPI and the UART controller can be individually enabled/disabled. There is a single clock, each, for the SMC and Quad SPI controllers.

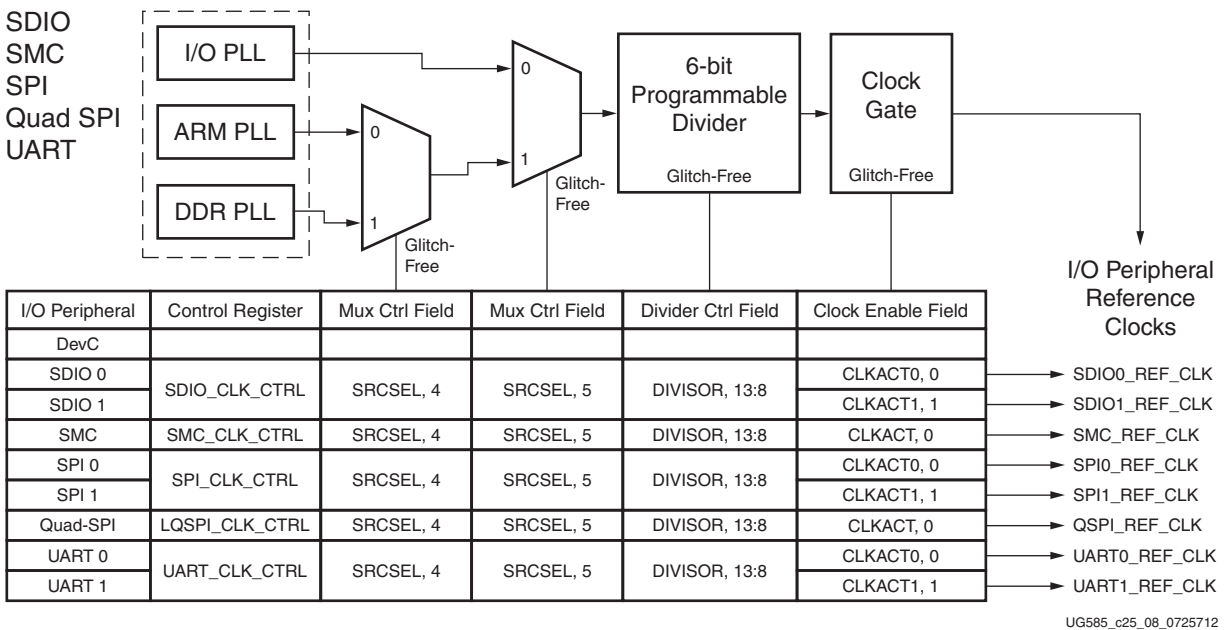
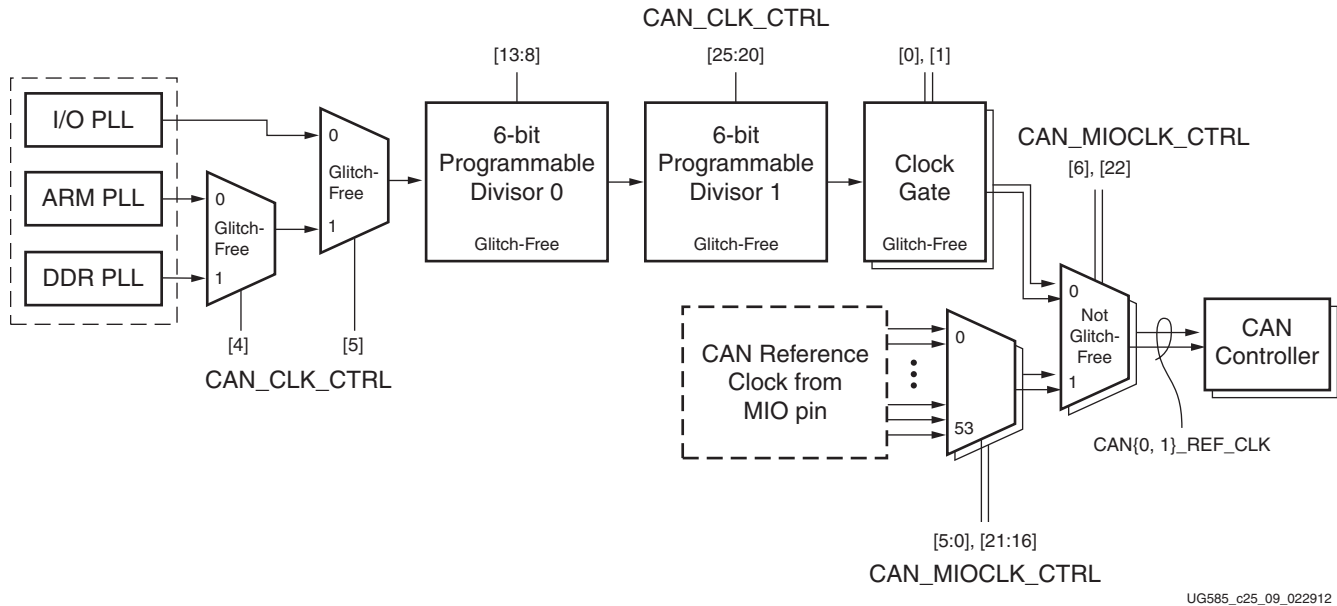


Figure 25-8: SDIO, SMC, SPI, Quad SPI and UART Reference Clocks

### 25.6.4 CAN Clocks

There are two controller area network (CAN) reference clocks: CAN0\_REF\_CLK and CAN1\_REF\_CLK. Both clocks share the same PLL source selection and dividers as shown in Figure 25-9. Each clock has independent alternate source selection (MIO pin or the clock generator), and independent clock gates. These clocks are used for the I/O interface side of the CAN peripherals.



UG585\_c25\_09\_022912

Figure 25-9: CAN Clock Generation

## 25.6.5 GPIO and I2C Clocks

The GPIO and I2C peripherals are clocked by the CPU\_1x APB bus interface clock provided by the interconnect (refer to section 25.2 CPU Clock).

## 25.7 PL Clocks

The PL has its own clock management generation and distribution features and also receives four clock signals from the clock generator in the PS (see Figure 25-9). For the details of the PL clocking structures, see the 7 series FPGAs clocking documentation.

The four clocks that are generated by the PS are completely asynchronous to each other with no relationship to other PL clocks.

The four clocks are derived from individually selected PLLs in the PS. Each of the PL clocks are independent output signals that produce suitable clock waveforms for PL use.

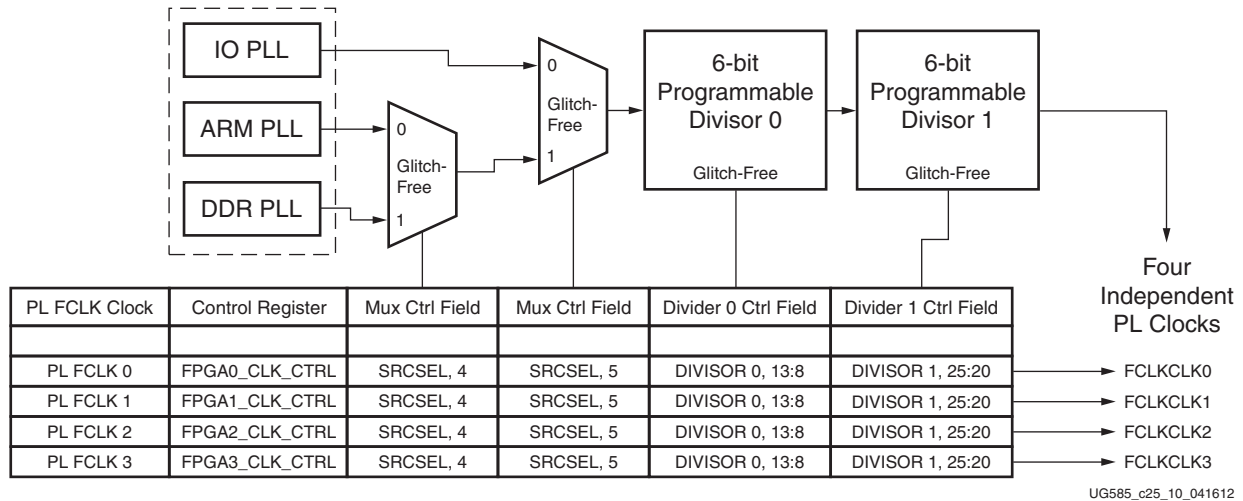


Figure 25-10: PL Clock Generation

### 25.7.1 Clock Throttle

Each of the four PL clocks includes logic to start and stop the clock and to assist with PL design debug and co-simulation. The clock throttle behavior is controlled by software and the trigger input signal from the PL. The clock throttle functions include:

- Start/stop clock under software control
- Run clock for a pre-programmed number of pulses
- Run clock and use PL logic to pause the clock pulses

Each clock throttle has a 16-bit counter that is programmed for the number of clock pulses to generate. For a continuous clock output, write a 0 to the counter, which is the default value. The current count can be read by software. The counting and clock pulses can be paused by the PL logic using the FCLKCLKTRIGxN input signal from the PL. The software can re-start the clocking by writing to the PL clock control register.

Table 25-4: PL Clock Throttle Input Signal

Signal Name	I/O	Description
FCLKCLKTRIGxN	I	The PL clock trigger signal is an input from the PL logic and is used to halt (pause) the PL clock when counting a programmed number of clock pulses. The halt mode is entered by the rising edge (logic 0 to logic 1) of the FCLKCLKTRIGxN signal. This signal can be asserted asynchronously to the FCLK and all other signals. This pin has no affect when the clock is running continuously, [LAST_CNT] = 0.



## Clock Controller States

The clock controller states are illustrated in Figure 25-11.

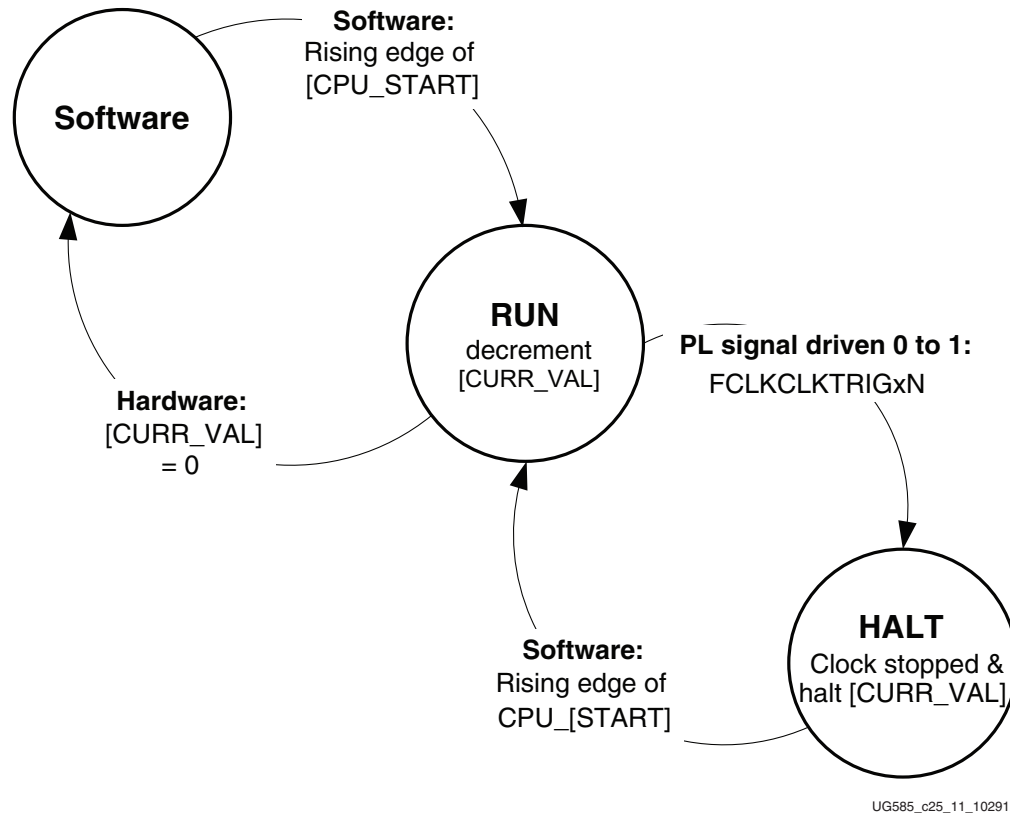


Figure 25-11: PL Clock Throttle States

## 25.7.2 Clock Throttle Programming

### Example: Stop/Start Clock

This example illustrates a simple method to stop and start a PL clock (FCLKCLKx) using writes to the last count field in the throttle count register, slcr.FPGA<sub>x</sub>\_THR\_CNT [LAST\_CNT]. The example assumes the slcr.FPGA<sub>x</sub>\_THR\_CTRL register is kept in its default state of 0x0000\_0000.

1. **Stop Clock:** Write 0x0000\_0001 to slcr.FPGA<sub>x</sub>\_THR\_CTRL to immediately stop the clock.
  - [LAST\_CNT] = 1
  - [Reserved] = 0
2. **Start Clock:** Write 0x0000\_0000 to slcr.FPGA<sub>x</sub>\_THR\_CTRL to resume a continuous clock.
  - [LAST\_CNT] = 0
  - [Reserved] = 0

### Example: Run the PL Clock for 592 Pulses and Stop

In this example, there will be 592 clock pulses and stops. The `slcr.FPGAx_THR_CTRL [CPU_START]` bit is positive edge triggered to start the clock.

1. Prime the Start Clock bit: write `0x0000_0004` to the control register, `slcr.FPGAx_THR_CTRL`.
  - `[CPU_START] = 0`
  - `[CNT_RST] = 0`
  - `[Reserved] = 0x001`
2. Program a count of 592: write `0x0000_0250` to the count register, `slcr.FPGAx_THR_CNT`.
  - `[LAST_CNT] = 0x0250`
  - `[Reserved] = 0`
3. Assert the Start Clock bit: write `0x0000_0005` to the control register, `slcr.FPGAx_THR_CTRL`.
  - `[CPU_START] = 1`
  - `[CNT_RST] = 0`
  - `[Reserved] = 0x001`

### Example: Program 592 Pulses and Interact with the PL Trigger Input

In this example, there will be 592 clock pulses that are paused by the clock trigger signal (`FCLKCLKTRIGxN`) and re-started by software. The `slcr.FPGAx_THR_CTRL [CPU_START]` bit is positive edge triggered to start the clock.

1. **Prime the Start Clock bit:** See previous example.
2. **Program a count of 592:** See previous example.
3. **Assert the Start Clock bit:** See previous example.
4. **PL Logic Pauses the Clock (HALT state):** the logic asserts `FCLKCLKTRIGxN` input to stop the clock.
5. **Prime the Start Clock bit:** See previous example.

**Assert the Start Clock bit:** See previous example.

## 25.8 Trace Port Clock

The trace port clock, is used to clock the top-level trace port and trace buffer within the SoC debug. This generated clock must be twice the frequency of the desired trace port clock. The frequency of trace\_clk must be chosen to be fast enough to allow the trace port to keep up with the amount of data being traced, but slow enough to meet the dynamic characteristics of the output buffer. To allow some flexibility, TRACE\_CLK is internally generated from a divided PLL output (see Figure 25-12).

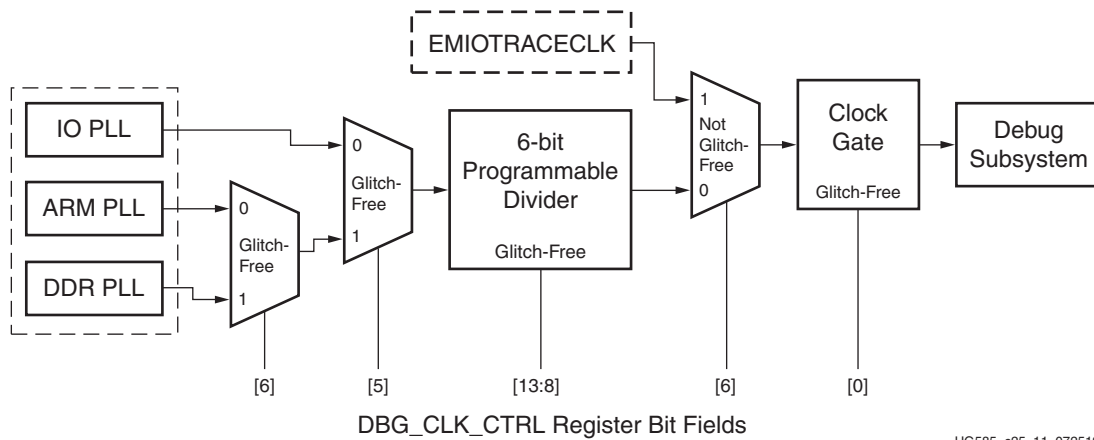


Figure 25-12: Trace Port Clock Generation

## 25.9 Register Overview

An overview of the PS clock subsystem registers is shown in Table 25-5.

Table 25-5: Clock Generation Register Overview

Register	Description	Comments
PLL		
PLL_STATUS	PLL status	
ARM_PLL_CTRL	CPU PLL control	<ul style="list-style-type: none"> <li>Control registers include:                             <ul style="list-style-type: none"> <li>Reset, power-down, bypass</li> <li>Divisor(s)</li> </ul> </li> <li>Configuration registers include:                             <ul style="list-style-type: none"> <li>PLL control parameters (see Table 25-6)</li> </ul> </li> </ul>
ARM_PLL_CFG	CPU PLL configuration	
DDR_PLL_CTRL	DDR PLL control	
DDR_PLL_CFG	DDR PLL configuration	
IO_PLL_CTRL	I/O PLL control	
IO_PLL_CFG	I/O PLL configuration	
CPU, DDR and Interconnect		
ARM_CKL_CTRL	CPU clock control	
CLK_621_TRUE	Select CPU clock frequency ratio	6:2:1 or 4:2:1

Table 25-5: Clock Generation Register Overview (Cont'd)

Register	Description	Comments
DDR_CLK_CTRL	DDR clock control	
APER_CLK_CTRL	AMBA peripheral clock control	
TOPSW_CLK_CTRL	Top-level switch clock control	
PL Clocks		
FPGA{3:0}_CLK_CTRL	PS to PL output clock control	
FPGA{3:0}_THR_{CTRL, CNT, STA}	PS to PL output clock throttle control, count and status	
I/O Peripheral Clocks		
USB{1, 0}_CLK_CTRL	USB ULPI clock control	<ul style="list-style-type: none"> <li>• DIVISOR bit field (one or two parameters, depending on the peripheral)</li> <li>• Clock enable active control</li> </ul>
GEM{1, 0}_CLK_CTRL	Gigabit Ethernet Rx clock control	
GEM{1, 0}_CLK_CTRL	Gigabit Ethernet ref clock control	
SMC_CLK_CTRL	SMC ref clock control	
LQSPI_CLK_CTRL	Quad-SPI ref clock control	
SDIO_CLK_CTRL	SDIO ref clock control	
UART_CLK_CTRL	UART ref clock control	
SPI_CLK_CTRL	SPI ref clock control	
CAN_CLK_CTRL	CAN ref clock control	
CAN_MIOCLK_CTRL	CAN com port clock control	
System Debug Clocks		
DBG_CLK_CTRL	CoreSight SoC trace clk control	
PCAP_CLK_CTRL	PCAP clock control	

## 25.10 Programming Model

### 25.10.1 Branch Clock Generator

Each clock generator has a clock control register `<module>_CLK_CTRL`. Within the clock control register, the SRCSEL field selects a clock source and the DIVISOR field is the amount the source clock is divided down to produce the desired clock frequency. Some clock generators have two cascaded dividers.

To prevent the clock generator from exceeding the maximum frequency of the attached subsystem, program the SRCSEL and the DIVISOR values in three separate steps:

1. Increase the value of the DIVISOR, as needed, so that the two PLL clock sources will not cause the clock generator to exceed the maximum clock frequency of the subsystem.
2. Set the SRCSEL to the desired source.

3. Update the DIVISOR to the desired value.

## 6-bit Programmable Divider

The 6-bit divider provides a divide range of 1 to 63, supports both even and odd divide values while producing a close to 50% duty cycle, and is glitchless (divide values can be modified dynamically). The only two exceptions to this rule are that the DDR\_3X divider can only be programmed to divide by an even divisor and the ARM\_CLK\_CTRL[DIVISOR] can not be programmed with a 1 or 3 when the PLL is being used. Some reference clocks have one divider and some have two dividers.

### 25.10.2 DDR Clocks




---

**IMPORTANT:** *It is a requirement that the DDR\_3x clock must always be programmed to an even divisor.*

---




---

**RECOMMENDED:** *Changing the divider frequency does not produce glitches on the clock, however the DDR controller will not necessarily operate correctly if the frequency is changed without modifying its timing parameters. Therefore, it is suggested to first idle the DDR controller when the DDR clock is to be reprogrammed.*

---

### 25.10.3 Digitally Controlled Impedance (DCI) Clock

The digitally controlled impedance (DCI) clock is required by the DDR PHY for calibration. The DCI clock is a low frequency clock, normally set to 10 MHz.

### 25.10.4 PLLs

The three PLLs share the clock input signal, PS\_CLK. Each PLL can be bypassed individually under software control. As part of the power-on reset sequence, all PLLs can be bypassed using the pll\_bypass boot mode pin straps. (Refer to the boot mode section of [Chapter 6, Boot and Configuration](#).)

The PLL configuration and control registers are in the SLCR. The PLL frequency control registers include the M (feedback divide ratio also known as PLL\_FDIV), LOCK\_CNT, PLL\_CP, and PLL\_RES control fields. For each divide ratio M, the PLL\_CP, PLL\_RES, and LOCK\_CNT fields must always be written with the values shown in [Table 25-6](#); the reset default values are not supported. The worst case lock time for the PLLs is 60 us.

#### Enable PLL Mode when PLL Bypass Mode Pin is Tied High

After the system boots in bypass mode, the following sequence can be used to enable a PLL. Each PLL can be individually enabled. This example shows how to enable the ARM PLL:

1. Program the ARM\_PLL\_CTRL[PLL\_FDIV] value and the PLL configuration register, ARM\_PLL\_CFG[LOCK\_CNT, PLL\_CP, PLL\_RES], to their required values.

2. Force the PLL into bypass mode by writing a 1 to ARM\_PLL\_CTRL [PLL\_BYPASS\_FORCE, 4] and setting the ARM\_PLL\_CTRL [PLL\_BYPASS\_QUAL, 3] bit to a 0. This de-asserts the reset to the ARM PLL.
3. Assert and de-assert the PLL reset by writing a 1 and then a 0 to ARM\_PLL\_CTRL [PLL\_RESET, 0].
4. Verify that the PLL is locked by reading PLL\_STATUS [ARM\_PLL\_LOCK, 3].
5. Disable the PLL bypass mode by writing a 0 to ARM\_PLL\_CTRL [4].

The DDR and I/O PLLs are programmed in a similar fashion.

## Software-Controlled PLL Update

The following steps are required for software to update the PLL clock frequency. This example is for the I/O PLL. Table 25-6 shows the possible multiplier values and the required settings for each of those multiplier values.

1. Program the IO\_PLL\_CTRL[PLL\_FDIV] value and the PLL configuration register, IO\_PLL\_CFG [LOCK\_CNT, PLL\_CP, PLL\_RES].
2. Force the PLL into bypass mode by writing a 1 to IO\_PLL\_CTRL [PLL\_BYPASS\_FORCE, 4]. (When the PLL goes into reset in the next step, its output will be undefined.)
3. Assert and de-assert the PLL reset by writing 1 and then a 0 to IO\_PLL\_CTRL [PLL\_RESET, 0]. (This is when the new values from step one are actually consumed by the PLL.)
4. Verify that the PLL is locked by reading PLL\_STATUS [IO\_PLL\_LOCK, 2].
5. Disable the PLL bypass mode by writing a 0 to IO\_PLL\_CTRL [4].

Table 25-6: PLL Frequency Control Settings

Desired PLL Multiplier	Required PLL Control and Configuration Bit Fields			
	PLL_FDIV	PLL CP	PLL RES	LOCK CNT
13	13	2	6	750
14	14	2	6	700
15	15	2	6	650
16	16	2	10	625
17	17	2	10	575
18	18	2	10	550
19	19	2	10	525
20	20	2	12	500
21	21	2	12	475
22	22	2	12	450
23	23	2	12	425
24 ~ 25	24 ~ 25	2	12	400
26	26	2	12	375
27 ~ 28	27 ~ 28	2	12	350
29 ~ 30	29 ~ 30	2	12	325

Table 25-6: PLL Frequency Control Settings (Cont'd)

Desired PLL Multiplier	Required PLL Control and Configuration Bit Fields			
	PLL_FDIV	PLL CP	PLL RES	LOCK CNT
31 ~ 33	31 ~ 33	2	2	300
34 ~ 36	34 ~ 36	2	2	275
37 ~ 40	37 ~ 40	2	2	250
41 ~ 47	41 ~ 47	3	12	250
48 ~ 66	48 ~ 66	2	4	250

# Reset System

---

## 26.1 Introduction

The reset system includes resets generated by hardware, watchdog timers, the JTAG controller, and software. Every module and system in Zynq-7000 AP SoC devices includes a reset that is driven by the reset system. Hardware resets are driven by the power-on reset signal (PS\_POR\_B) and the system reset signal (PS\_SRST\_B).

There are three watchdog timers in the PS that can generate resets. The JTAG controller can generate a reset that only resets the debug portion of the PS and a system-level reset. Software can generate individual sub-module resets or a system-level reset.

Resets are caused by many different sources and go to many different destinations. This chapter identifies all of the resets and either explains their functionality or provides a pointer to another chapter or another document.

### 26.1.1 Features

The key features of the reset system:

- Collects resets from hardware, watchdog timers, the JTAG controller and software
- Drives the reset of every module and subsystem
- Is an integral part of the device security system
- Executes a three-stage sequence: power-on, memory clear, and system enabling

### 26.1.2 Block Diagram

Figure 26-1 illustrates the logical dependencies of the main types of generated resets upon these reset triggers. This block diagram is intended to highlight dependencies, and does not accurately depict implementation detail or sequence timing.



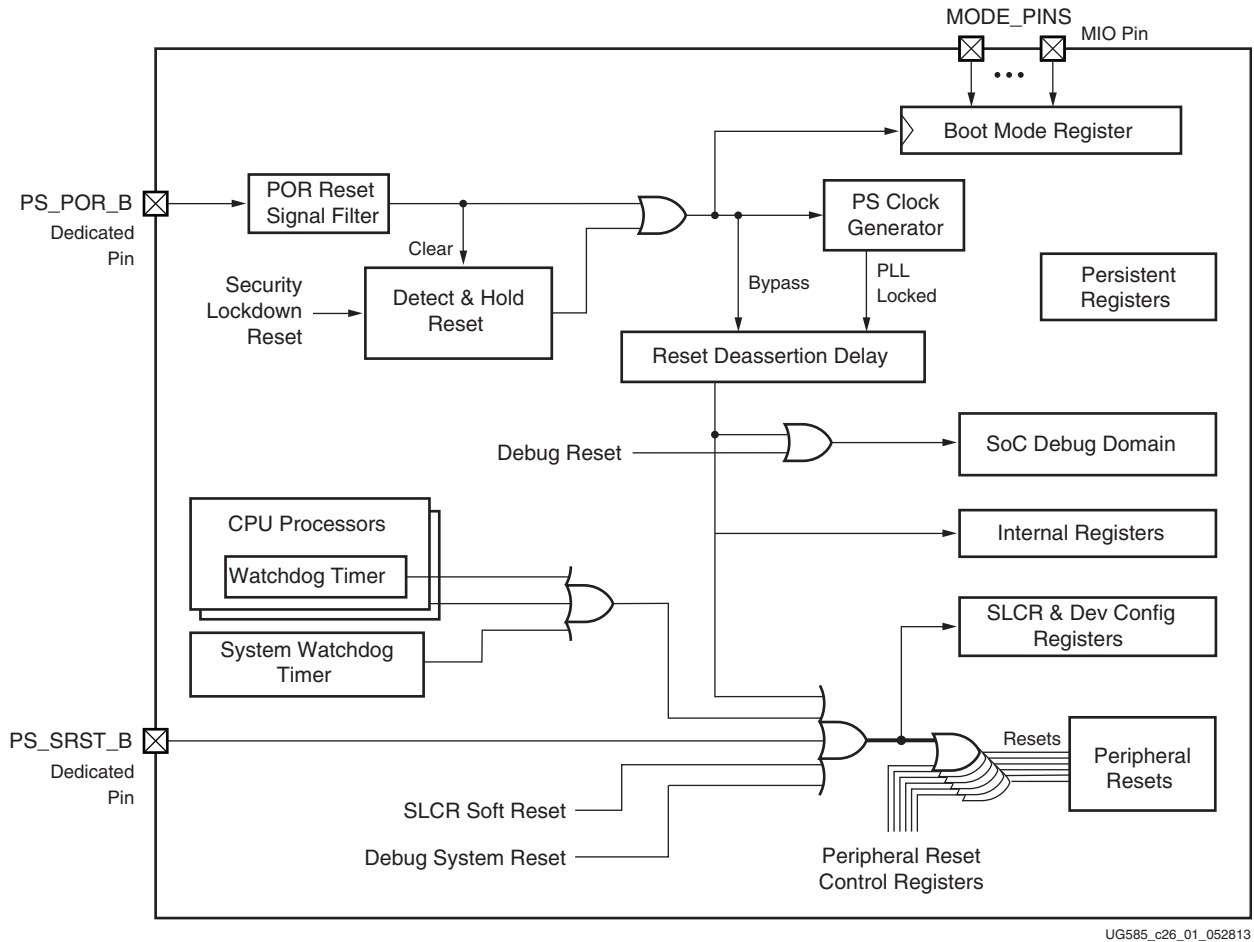
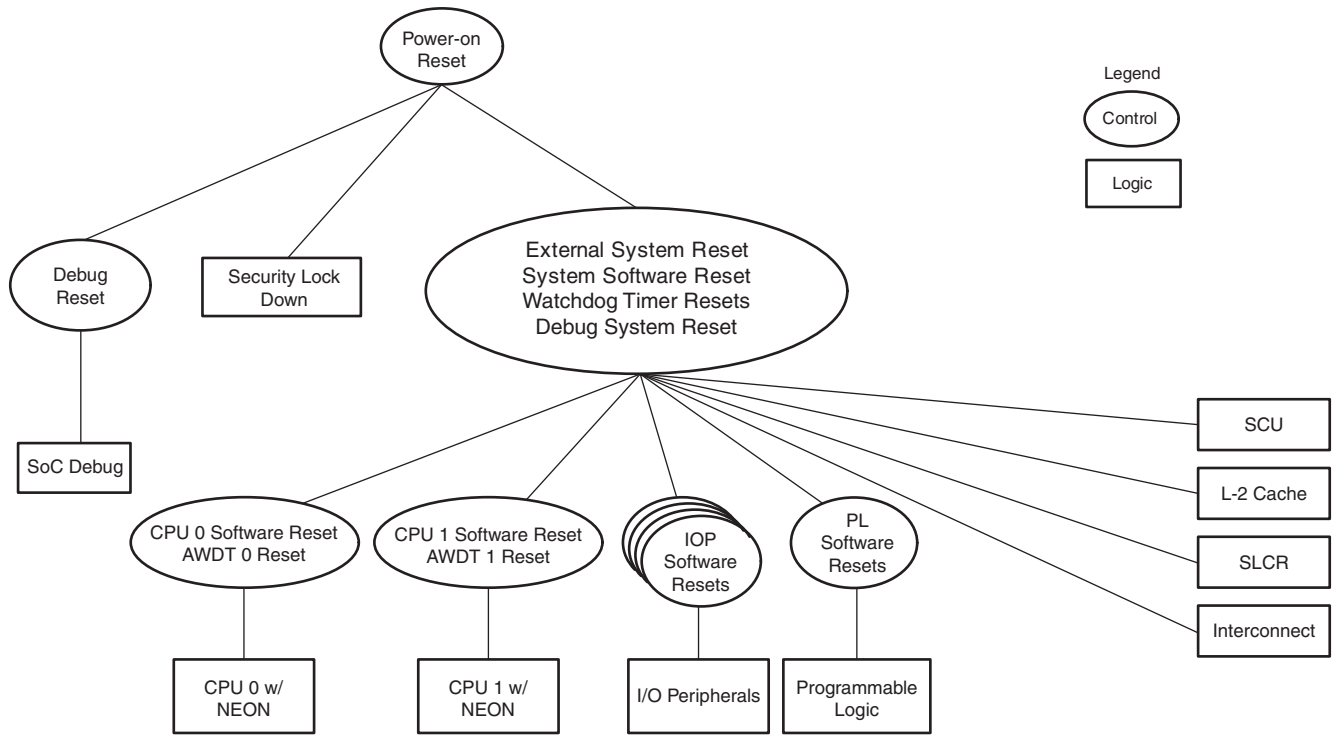


Figure 26-1: Resets Block Diagram

### 26.1.3 Reset Hierarchy

There are many different types of resets within the PS, from power-on reset that resets the entire system, to a peripheral reset which resets a single subsystem under software control. Figure 26-2 shows the relationships between all major reset signals within the PS. Reset signals flow from the top downwards. The rectangles at the end of the diagram represent the blocks that are reset. For example, power-on reset (POR) resets all logic within the PS, but system reset only resets the functions indicated in the diagram. This diagram presents the reset hierarchy of operation rather than the reset signal routing shown in Figure 26-1.



UG585\_c26\_02\_101812

Figure 26-2: Reset Hierarchy Diagram

## 26.1.4 Boot Flow

The complete reset sequence is shown as in [Figure 26-3](#). The first two steps are controlled by the external system and PS logic only starts to respond when power on reset (POR) is de-asserted. When the PS is operational, any type of reset can occur after POR. Those resets would insert into the flow chart, at their respective locations.

The POR signal can be asserted or de-asserted asynchronously. When the POR signal is de-asserted, it is conditioned to allow it to propagate cleanly to the clock module input logic and, if enabled, to the PLL clock circuits.

There is a BOOT\_MODE strapping pin to select between all PLLs enabled and all PLLs disabled (bypassed). When the PLL is bypassed, the boot process takes longer.

After POR\_N is released, the eFUSE controller comes out of reset. It automatically applies some data to the PLL and provides redundancy information to some of the RAMs in the PS. This activity is not visible to the user and cannot be affected by the user. This activity requires from 50 us to 100 us of time to complete.

If the PLLs are enabled, then the POR signal is delayed at this point until the PLL clocks have locked. The PLL clocks take up to 60 uS to lock. If PLL bypass mode is selected, the POR signal is not delayed.

Before the BootROM starts executing, the internal RAMs are cleared by hardware writing zeros into all addresses. For a listing of the times it takes to go through these steps, see [section 6.3.3 BootROM Performance](#) in [Chapter 6, Boot and Configuration](#).

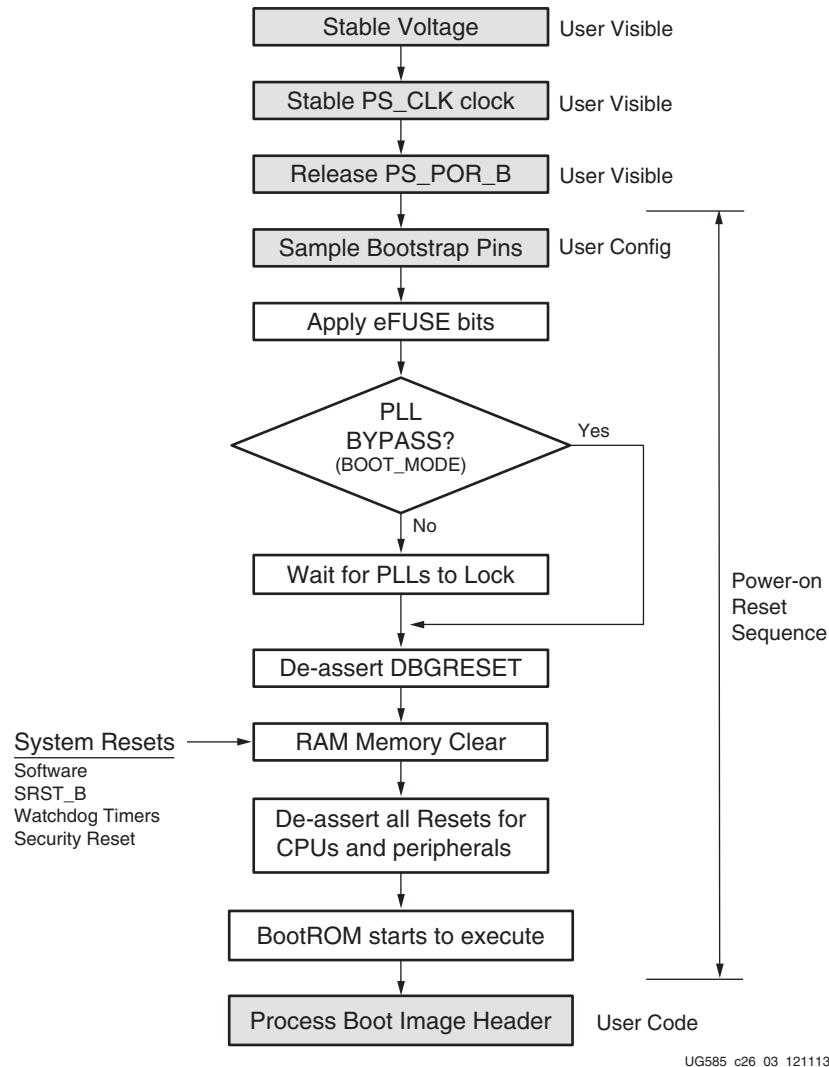


Figure 26-3: Power-On Reset Flow Diagram

## 26.2 Reset Sources

### 26.2.1 Power-on Reset (PS\_POR\_B)

The PS supports external power-on reset signals. The power-on reset is the master reset of the entire chip. This signal resets every register in the device capable of being reset. While PS\_POR\_B is held Low, all PS I/Os are held in 3-state.

The PS\_POR\_B reset pin is held Low until all PS power supplies are at their required voltage levels and PS\_CLK is active. It can be asynchronously asserted and is internally synchronized and filtered. The filter prevents High-going glitches from entering the PS while the signal is intended to be held Low.

It does not filter Low-going glitches when the signal is intended to be held high. Any Low-going glitch that is detected causes an immediate reset of the device.

The PS\_POR\_B signal is often connected to the power-good signal from the power supply. When PS\_POR\_B is de-asserted, the system samples the boot strap mode pins and begins its internal initialization process.

## 26.2.2 External System Reset (PS\_SRST\_B)

Power-on reset erases all debug configurations. The external system reset allows the user to reset all of the functional logic within the device without disturbing the debug environment. For example, the previous break points set by the user remain valid after the external system reset. While PS\_SRST\_B is held Low, all PS I/Os are held in 3-state.

Due to security concerns, system reset erases all memory content within the PS, including the OCM. The PL is also reset in system reset. System reset does not re-sample the boot mode strapping pins.

If this pin is not used in the system, it should be tied high.

## 26.2.3 System Software Reset

The user can reset the entire system by asserting a software reset. By asserting PSS\_RST\_CTRL[SOFT\_RST], the entire system is reset with the same end result as the user pressing the PS\_SRST\_B pin (other than the REBOOT\_STATUS register value being different).

Just like the other system resets, all of the RAMs are cleared and the PL is reset as well.

## 26.2.4 Watchdog Timer Resets

The watchdog timer resets are internally generated by the watchdog timers when they are enabled and the timer expires. There are three different watchdog timers in the PS: one system-level timer (SWDT) and one private timer in each of the two ARM cores (AWDT0 and AWDT1). The system-level timer reset signal always resets the entire system, while the private watchdog timers can either reset just the ARM core that housed it, or the entire system.

## 26.2.5 Secure Violation Lock Down

When a security violation is detected, the entire PS is reset and locked down. After a security lock down occurs, the PS only becomes active again by asserting and de-asserting the PS\_POR\_B reset pin. Refer to [Chapter 32, Device Secure Boot](#) for details of how and when this signal is asserted.

## 26.2.6 Debug Resets

There are two types of debug resets that originate from the debug access port (DAP) controller; debug system reset and debug reset.

Debug system reset is a command from the ARM DAP which is controlled by JTAG. This causes the system to reset, just like the external system reset.

Debug reset resets certain portions of the SoC debug block including the JTAG logic.

The PS does not support the external TRST, although it does support assertion of a reset sequence using TMS. The JTAG logic is only reset at power-on reset or assertion of CDBG\_RSTREQ from the ARM debug access port (DAP) Controller (JTAG). All of the logic in the JTAG TCK clock domain is reset by this signal.

## 26.3 Reset Effects

The effects of various resets are described in [Table 26-1](#).

Table 26-1: Reset Effects

Reset Name	Source	Portion of System that is Reset	RAMs Cleared	Bits Affected
Power-On Reset (PS_POR_B)	Device pin	Entire chip, including debug (All) The PL must be re-programmed.	All	REBOOT_STATUS[22] = 1
Security Lock Down (requires a power-on reset to recover)	DevC		All	N/A
External System Reset (PS_SRST_B)	Device pin	All except debug and persistent registers. The PL must be re-programmed.	All	REBOOT_STATUS[21] = 1
System Software	SLCR		All	REBOOT_STATUS[19] = 1
System Debug Reset	JTAG		All	REBOOT_STATUS[20] = 1
System Watchdog Timer	SWDT		All	REBOOT_STATUS[16] = 1
CPU Watchdog Timers (when slcr.RS_AWDT_CTRL{1,0} = 0)	AWDT		All	REBOOT_STATUS[17] = 1
CPU Watchdog Timers (when slcr.RS_AWDT_CTRL{1,0} = 1)	AWDT	CPU (s) only.	None	REBOOT_STATUS[18] = 1
Debug Reset	JTAG	Debug logic.	None	N/A
Peripherals	SLCR	Selected peripherals or CPUs.	None	N/A

### 26.3.1 Peripherals

All PS peripherals are reset when the PS is reset. In addition, individual peripheral resets might also be asserted under software control, through programmable bits within the SLCR.

Most peripherals have the ability to reset each of the clock domains within that peripheral. For instance, the Ethernet controller can reset the RX side, TX side, or the interconnect side. Each clock domain can be reset separately. Individual peripherals might have their own resets defined within those blocks.

Peripheral resets do not result in the RAM memory clear logic being activated to clear all memories within the design.

## 26.4 PL Resets

### 26.4.1 PL General Purpose User Resets

There are four separate reset signals, FCLKRESETN[3:0], routed to the PL which could be used as general purpose reset signals for PL logic. These reset signals are not removed until the PS is out of its boot sequence and user code de-asserts them. They are controllable by the SLCR.SLCR.FPGA\_RST\_CTRL. PL logic connecting to the PS must not be reset when active transactions exist, since uncompleted transactions could be left pending in the PS.

The reset signal is loosely associated with the FCLK of the same number, however, the timing is such that it must be considered an asynchronous reset to the PL. If the user requires a synchronized reset, the user must synchronize it themselves in the PL. (The FCLK needs to be toggling for the reset to propagate out of the PS.)

### 26.4.2 AXI/DMA Interface Resets

The following AXI and DMA interface-specific resets are reserved and should not be used by user PL logic:

- MAXIGP0ARESETN
- MAXIGP1ARESETN
- SAXIACPARESETN
- SAXIGP0ARESETN
- SAXIGP1ARESETN
- SAXIHP0ARESETN
- SAXIHP1ARESETN
- SAXIHP2ARESETN
- SAXIHP3ARESETN
- DMA0RSTN
- DMA1RSTN
- DMA2RSTN
- DMA3RSTN

The general purpose FCLKRESETN[3:0] resets can be used instead to provide user PL reset sources.

## 26.5 Register Overview

The following sections provide an overview of the reset control registers.

### 26.5.1 Reset Subsystem Control and Status

The Reset Subsystem Control and Status registers are identified in [Table 26-2](#).

Table 26-2: Reset Subsystem Control and Status

Name	Description	HW Register Name
Reboot Status	Remains persistent except by PS_POR_B	slcr.REBOOT_STATUS
Persistent	Remains persistent except by PS_POR_B	devcfg.LOCK, devcfg.MULTIBOOT_ADDR, devcfg.STATUS, devcfg.UNLOCK, slcr.REBOOT_STATUS, devcfg.CTRL.MULTIBOOT_EN, devcfg.CTRL.PCFG_AES_FUSE, devcfg.CTRL.PCFG_AES_EN, devcfg.CTRL.SEU_EN, devcfg.CTRL.SEC_EN, devcfg.LOCK, devcfg.STATUS.SECURE_RST, slcr.ARM_CLK_CTRL.SRCSEL, slcr.APU_CTRL.CFGSDISABLE, slcr.APU_CTRL.CP15SDISABLE, scu.Watchdog_Reset_Status_Register
Debug		See <a href="#">Chapter 28, System Test and Debug</a>

The persistent registers are registers that are not cleared during any reset other than the POR reset. Two types of persistent registers are used; one stores the state for user identification, and the other is used for security reasons. For information on the security registers, please see [Appendix B, Register Details](#), or [Chapter 32, Device Secure Boot](#).

The first group includes the REBOOT\_STATUS register. REBOOT\_STATUS is written to by the BootROM. The details of values in the REBOOT\_STATUS register can be found in [Chapter 6, Boot and Configuration](#).

### 26.5.2 System Reset Control

System Reset registers are identified in [Table 26-3](#).

Table 26-3: System Reset Control

Name	Systems Affected	HW Register Name
System Software Reset	All	slcr.PSS_RST_CTRL

### 26.5.3 Peripheral Reset Control

The reset domains and register bits are identified in [Table 26-4](#). Resetting the AXI interconnect causes the system to no longer be accessible. Resetting other parts of the system might cause undesirable results. Reset a peripheral only when that part of the system is quiescent.

Table 26-4: Peripheral Reset Control Registers Overview

Peripheral Name	Description	HW Register
AXI Interconnect	Central, Master, Slave, and OCM Switches	slcr.TOPSW_RST_CTRL
CPU 0	CPU 0	slcr.A9_CPU_RST_CTRL [A9_RST0]
CPU 1	CPU 1	slcr.A9_CPU_RST_CTRL [A9_RST1]
CPU Peripherals	WDT/Timers/GIC	slcr.A9_CPU_RST_CTRL [PER_RST]
SCU, L2-cache	Snoop Control, L2-cache	System reset (POR or non-POR)
OCM	On chip memory	slcr.OCM_RST_CTRL
CAN	CPU 1x	slcr.CAN_RST_CTRL
DDR	DDR PHY/controller/control registers	slcr.DDR_RST_CTRL
DMA	DMA interface	slcr.DMAC_RST_CTRL
DevC	Subsystem, PCAP 2x and CPU 1x	slcr.DEVCI_RST_CTRL
Ethernet	Ref, Rx and CPU 1x	slcr.GEM_RST_CTRL
PS-PL	DMA controller resets to PL and general purpose PL resets	slcr.FPGA_RST_CTRL
GPIO	CPU 1x	slcr.GPIO_RST_CTRL
I2C	CPU 1x	slcr.I2C_RST_CTRL
Quad-SPI	Ref and CPU 1x	slcr.LQSPI_RST_CTRL
SDIO	Ref and CPU 1x	slcr.SDIO_RST_CTRL
SPI	Ref and CPU 1x	slcr.SPI_RST_CTRL
SMC	Ref and CPU 1x	slcr.SMC_RST_CTRL
UART	Ref and CPU 1x	slcr.UART_RST_CTRL
USB	ULPI and CPU 1x	slcr.USB_RST_CTRL



# JTAG and DAP Subsystem

---

## 27.1 Introduction

The Zynq-7000 family of AP SoC devices provides debug access via a standard JTAG (IEEE 1149.1) debug interface. Internally, the AP SoC device implements both an ARM debug access port (DAP) inside the Processing System (PS) as well as a standard JTAG test access port (TAP) controller inside the Programmable Logic (PL). The ARM DAP as part of ARM CoreSight debug architecture allows the user to leverage industry standard third-party debug tools.

In addition to the standard JTAG functionality, the Xilinx TAP controller supports a number of PL features including PL Debug, eFuse/BBRAM programming, on-chip XADC access, etc. Most importantly, it also allows debugging of ARM software through the DAP and PL hardware by using the TAP simultaneously with a trace buffer and cross triggering interface between the PS and PL.

Another important debug feature the Zynq-7000 AP SoC includes is debug trace support. This feature allows the user to capture both the PS and PL trace into a common trace buffer that is either read out through JTAG, described below, or sent out through the trace port interface unit (TPIU), described in [Chapter 28, System Test and Debug](#).

### 27.1.1 Block Diagram

[Figure 27-1](#) shows the top level DAP/TAP architecture. As soon as the BootROM passes control to user software, the JTAG chain is enabled automatically, assuming a non-secure boot process. This allows debugging from the user software entry point.

JTAG supports two different modes: cascaded JTAG mode (also referred to as single chain mode) and independent JTAG mode (also referred to as split chain mode). The mode is determined through the mode input when the system comes out of reset.

In cascaded JTAG chain mode, both the TAP and DAP are visible from external JTAG debug tools or a JTAG tester. With dedicated PL\_TDO/TMS/TCK/TDI I/O at the PL side, only one JTAG cable can be connected, though it has access both to PS and PL features concurrently.

To debug ARM software and the PL design simultaneously with separate cables, the user must switch to independent JTAG mode. In this mode, JTAG cables only see the Xilinx TAP controller from the dedicated PL\_TDO/TMS/TCK/TDI pins. To debug ARM software, the user can route the ARM DAP signals (PJTAG) through the MIO or through the EMIO and to PL SelectIO pins.

It is important to note that both the PS and PL must be powered on to use JTAG debug. Due to security reasons, the JTAG chain is protected with triple redundancy gating logic to prevent

accidental debug enablement under the security environment due to a single event upset (SEU). Zynq-7000 AP SoC devices also provide JTAG disable lock-down to prevent debug enablement due to software errors.

The Zynq-7000 AP SoC provides for permanently disabling JTAG, by using one eFuse bit to record. Care should be used when selecting this option because the eFuse JTAG disable is not reversible.

Figure 27-2 shows the debug trace architecture. The user can enable debug trace source, PTM, ITM, and FTM using either the JTAG/DAP interface or software through the debug APB bus.

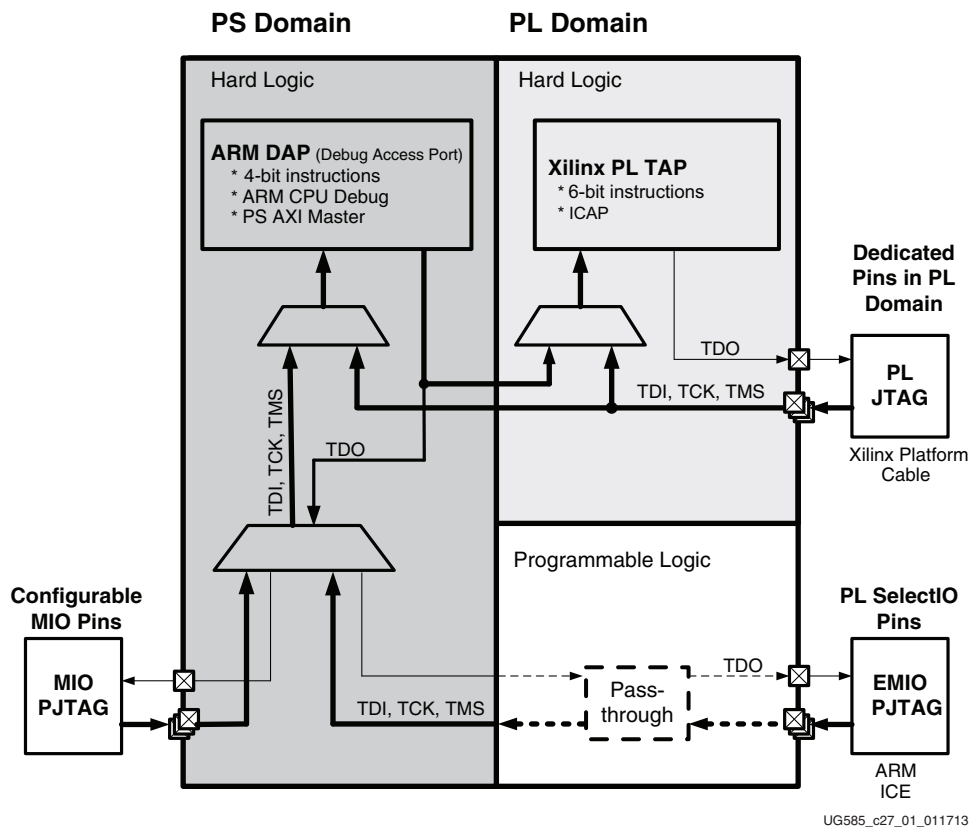


Figure 27-1: JTAG System Block Diagram

This section focuses on the trace port interface unit, which is one of the trace sink modules used to dump real-time trace to an external trace capture module. Both TPIU and ETB receive exact same copies of aggregated trace from multiple trace sources.

Although ETB is able to support high trace bandwidth, the 4 KB limit only allows capturing the trace in a small time window. To monitor trace information over a longer period of time, the user must enable the TPIU to dump either through MIO or EMIO so the trace is captured by external trace capture equipment such as an HP logic analyzer, Lauterbach Trace32, ARM DStream, etc.

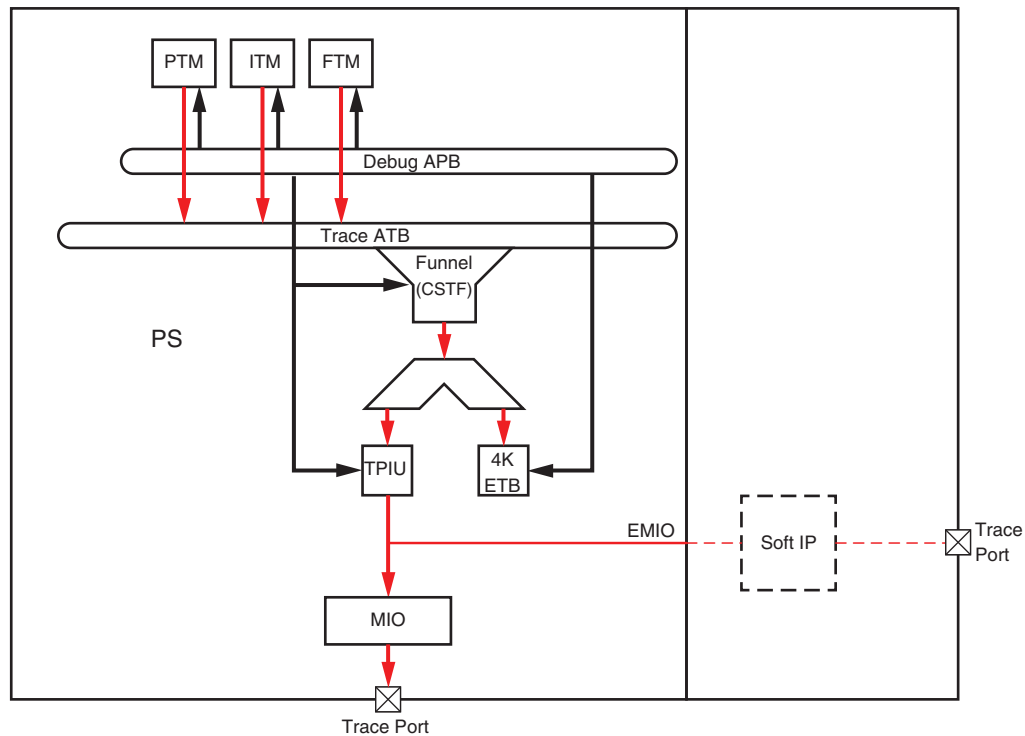


Figure 27-2: Debug Trace Port

## 27.1.2 Features

Key features of the JTAG debug interface are:

- JTAG 1149.1 boundary scan support
- Two 1149.1 compliance TAP controllers: One JTAG TAP controller and one ARM DAP
- Single unique IDCODE from the Xilinx TAP for each of the Zynq 7000 family of devices
- IEEE 1532 programming in-system-configurable (ISC) devices support
  - eFuse programming
  - BBRAM programming
  - XADC access
- On-board flash programming
- Xilinx chipscope debug support
- ARM CoreSight debug center control using ARM DAP
- Indirect PS address space access through DAP-AP port
- External trace capture using MIO in PS, or EMIO in PL

## 27.2 Functional Description

Figure 27-3 shows the ARM DAP and JTAG TAP controllers connected in daisy-chain order with the ARM DAP at the front of chain. The two JTAG controllers belong to two different power domains. The ARM DAP is in the PS power domain while the TAP is in the PL power domain. JTAG I/O pads are located in the PL power domain to take advantage of existing JTAG I/O pads in the PL. Although the PS supports PL power down mode, both power domains must be powered on to support all JTAG related features.

The ARM DAP controller has a 4-bit IR length and the TAP controller has a 6-bit IR length. The two controllers operate completely independently. The user can access the TAP and ARM DAP controller simultaneously in independent mode. Due to security reasons, the ARM DAP controller is bypassed when the PS is out of reset. The Xilinx TAP controller within the PL can be disabled through the eFuse or the control register within the PL configuration logic.

All debug components within the PS are under direct control of the debug tools, such as ARM RVDS or Xilinx XDK, through ARM DAP. All debug components (including DAP) within the PS are designed and integrated following ARM CoreSight architecture. Although there is no CoreSight component within the PL, FTM components within the PS allows a PL trace to be dumped into the ETB. CTI/CTM supports cross triggering between the PS and PL.

As shown in Figure 27-3, all PS debug components are tied to the debug APB bus with the DAP as the only bus master. External debug tools connected to the ARM DAP through JTAG uses the debug APB bus to configure all debug components including CPU, CTI/CTM, PTM, ITM, and FTM. Debug APB is also used to extract trace data from the ETB. It is a complicated process to configure all of the debug components properly to support user debug needs. Fortunately, most of the work is automatically handled by the debug tools. However, understanding Zynq debug architecture is necessary to better utilize the full system debug capability.

Other than debug control, the ARM DAP also acts as master device within the system interconnect. In previous debug systems, it was required to halt the CPU in order to probe system address space. This new arrangement allows the user to access system address space without halting the CPU. (See Chapter 28, System Test and Debug for more information).

The PL Xilinx TAP controller serves four key purposes: boundary scan test, eFuse programming, BBRAM programming, and PL debug chipscope.

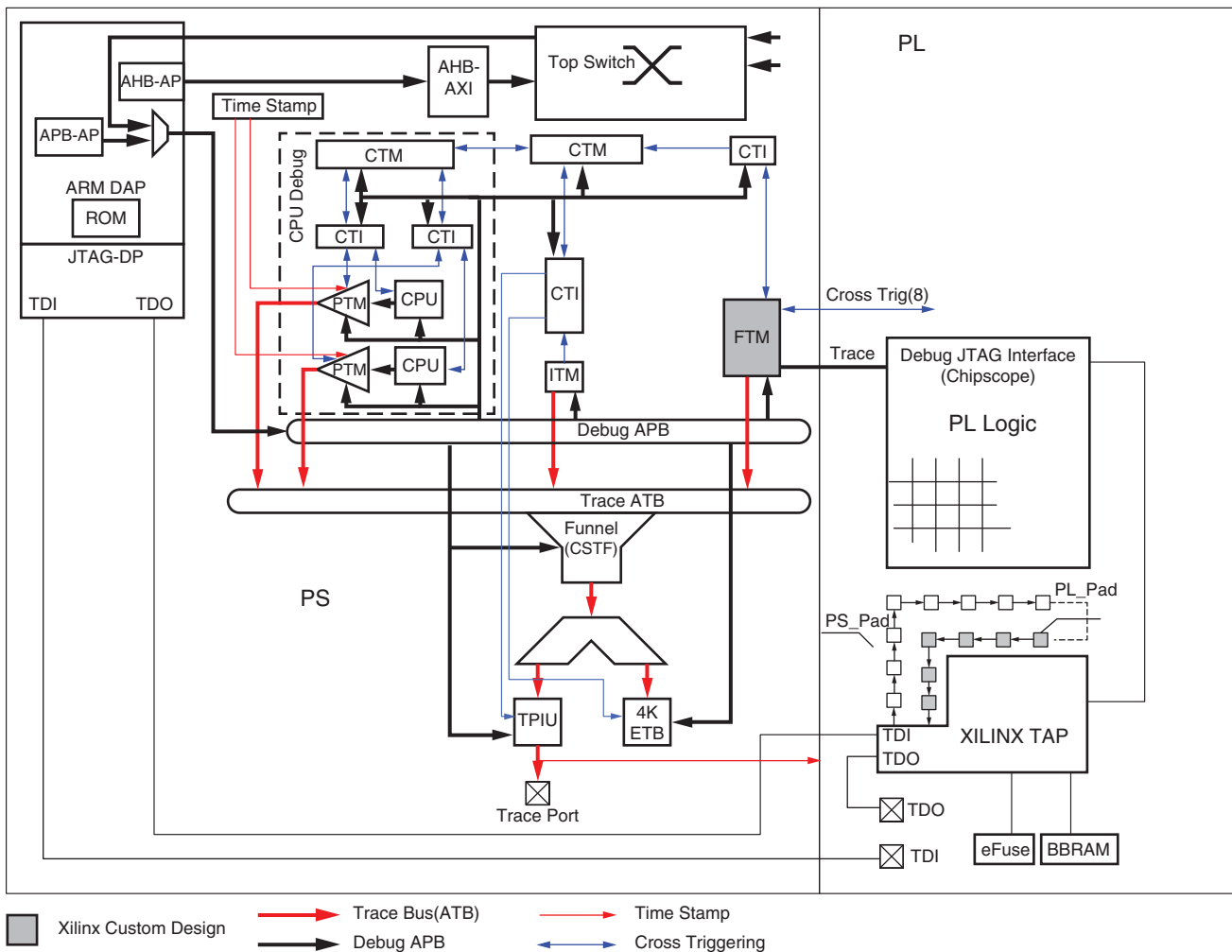


Figure 27-3: Debug System Architecture

The TPIU provides the mechanism to capture trace over long periods of time. There is no internal time limit to how long a trace can be dumped so the only practical limit is the Zynq-7000 bandwidth. If doing a trace dump using PS I/O through MIO, the maximum trace bandwidth depends on how many MIO trace I/Os could be allocated. Another alternative is trace dump through EMIO. PL soft logic connects the EMIO trace signal to the PL SelectIO. There are other potential innovative ways to handle EMIO trace.

For example, users could loopback EMIO trace data back to the PS and store it in DDR memory or export trace via gigabit Ethernet to enable remote debug or monitor. In typical debug flow, the user enables minimum trace source dumping capability to fit trace data into allocated TPIU throughput. After a small time window when debug occurs as determined through trace monitoring, the user could enable full trace dumping capability if required, and store short periods of data into the ETB for the next level of debug. Other than debugging, trace port also brings significant value for software profiling. Soft profiling helps the user to identify those software routines that consume the

most CPU power. Based on that, the user could decide to either perform software optimization or offload the process to the PL.

## 27.3 I/O Signals

In cascaded JTAG mode, only PL\_TDO/TMS/TCK/TDI at the PL side are meaningful to users. Through them, users can access both the ARM DAP and Xilinx TAP.

In independent JTAG mode, users can only access the Xilinx TAP, through PL\_TDO/TMS/TCK/TDI. To access the ARM DAP, users must use PJTAG signals, as shown in [Table 27-1](#). There are two choices to route PJTAG signals to chip pinouts: via EMIO to the PL SelectIO, or via MIO.

The MIO pins and any restrictions based on device version are shown in the MIO table in section [2.5.4 MIO-at-a-Glance Table](#).

Table 27-1: PJTAG Signals

Signal Name	via EMIO		via MIO	
	Signal	I/O	Pin	I/O
TCK	EMIOPJTAGTCK	I	MIO 12, 24, 36 or 48	I
TMS	EMIOPJTAGTMS	I	MIO 13, 25, 37 or 49	I
TDI	EMIOPJTAGTDI	I	MIO 10, 22, 34 or 46	I
TDO	EMIOPJTAGTDO	O	MIO 11, 23, 35 or 47	O
TDO 3-state	EMIOPJTAGTDTN	O		

Then TPIU output, as shown in [Figure 27-3](#), can be routed to either EMIO or MIO (but not both). [Table 27-2](#) shows the signal routing. Note that EMIO supports the full 32 bits of TRACE\_DATA (bits [31:16] are not shown in the table), while MIO supports only 16 bits of TRACE\_DATA.

[Table 27-2](#) shows the ARM DAP/Xilinx TPIU signal routing.

Table 27-2: TPIU Signals

Signal Name	EMIO		MIO	
	Signal	I/O	Pin	I/O
TRACE_CLK	EMIOTRACECLK	I	MIO12 or MIO24	O
TRACE_CTL	EMIOTRACECTL	O	MIO 13 or MIO25	O
TRACE_DATA [1:0] TRACE_DATA [3:2] TRACE_DATA [7:4] TRACE_DATA [15:8]	EMIOTRACEDATA	O	MIO[15:14] or [27:26] MIO[23:22] MIO[19:16] MIO[9:2]	O

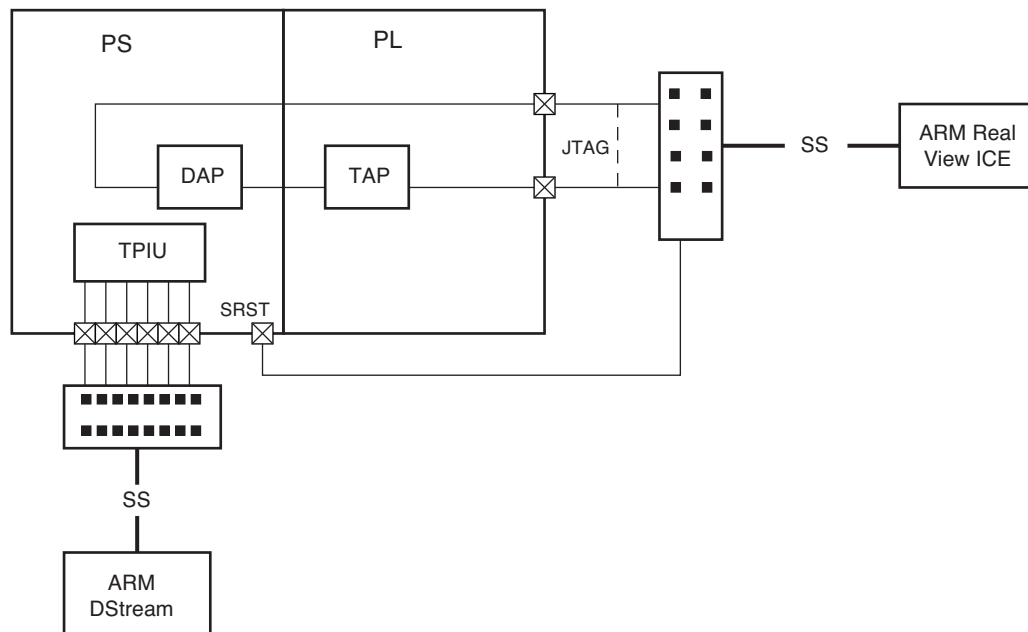
**Notes:**

With EMIO, the boundary for the I/O reference is the PS/PL boundary. With PJTAG, the boundary is the device package pins.

## 27.4 Programming Model

### 27.4.1 Use Case I: Software Debug with Trace Port Enabled

This is the normal debug case for most applications. [Figure 27-4](#) shows ARM tool chain solution. It is also possible to replace ARM Real View ICE with a Xilinx or Lauterbach debug tool. In this case, there is no PL programming required and the user is able to start on software debug as soon as chip power is on. In this use case, the DAP is active to support software debug needs but the TAP is put into bypass mode. Trace port is also enabled through the MIO pin. Although bandwidth might be limited due to limited MIO availability in some cases, the user could enable a trace dump without depending on PL configuration in this configuration. The major challenge for most users is to allocate MIO pins for the Trace port.



UG585\_c27\_04\_031812

Figure 27-4: User Case I: Software Debug with Trace Port Enabled

### 27.4.2 Use Case II: PS and PL Debug with Trace Port Enabled

The second use case shows how to enable PS software and PL hardware at the same time with two separate debug tools. The tool connected to the Xilinx TAP is typically a Xilinx debug tool. The tools connected to the PS DAP could be Xilinx or any third-party debug tools from ARM or Lauterbach.

To support this mode, PL configuration is required to bring the DAP JTAG signals to the PL SelectIOs. [Figure 27-5](#) shows trace port access through the PL SelectIO, but the user could use the MIO trace port as in the previous use case if there is way to manage to fit the trace port into the limited MIO pin multiplexing. Trace port access through SelectIO could support up to 32-bit trace data and gives users enough trace port throughput to address most debug need. As with the JTAG DAP access, the

PL must be configured to route the trace signal from the EMIO at the PS/PL boundary to the PL SelectIO.

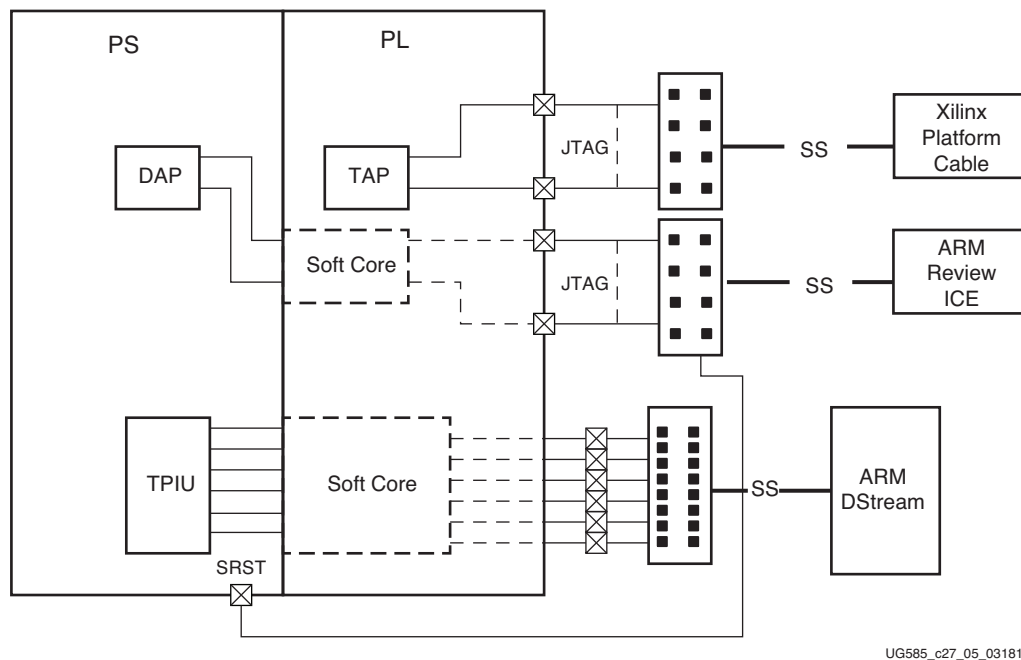


Figure 27-5: User Case II: PS and PL Debug with Trace Port Enabled

## 27.5 ARM DAP Controller

The debug access port (DAP) is an implementation of an ARM debug interface standard comprising a number of components supplied in a single configuration. All of the supplied components fit into the various architectural components for debug ports (DPs) which are used to access the DAP from an external debugger, and access ports (APs) to access on-chip system resources.

With the JTAG-DP, IEEE 1149.1 scan chains are used to read or write register information. A pair of scan chain registers is used to access the main control and access registers within the debug port:

- DPACC used for debug port (DP) accesses
- APACC used for access port (AP) accesses

An APACC might access a register of a debug component of the system to which the interface is connected. The scan chain model implemented by a JTAG-DP has the concepts of capturing the current value of APACC or DPACC, and of updating APACC or DPACC with a new value. An update might cause a read or write access to a DAP register that might then cause a read or write access to a debug register of a connected debug component.

Table 27-3 shows four Tap ARM DAP IR Instructions. All other IR Instructions are implemented as BYPASS.



Table 27-3: ARM DAP IR Instruction

IR Instruction	Binary Code[3:0]	DR Width	Description
ABORT	1000	35	JTAG-DP abort register
DPACC	1010	35	JTAG DP access register
APACC	1011	35	JTAG-AP access Register
ARM_IDCODE	1110	32	IDCODE for ARM DAP IP
BYPASS	1111	1	

The ARM DAP is composed of one debug port (DP) and up to three access ports (APs). Among the three APs, Zynq-7000 devices only implement APB-AP as the bus master to access all debug components and AHB-AP to access system memory space directly. Table 27-4 lists all registers within the DP.

Table 27-4: DP Registers Summary

DP Register	Access	Description
CTRL/STAT	IR=DPACC/ADDRESS = 0x4	DP Control and Status register
SELECT	IR=DPACC/ADDRESS = 0x8	Its main purpose is to select the current access port and the active four-word register window in that access port

Table 27-5 shows AHB-AP and APB-AP registers in the DAP. For each AP, there is a unique set of registers associated with each AP port. Although the DAP allows JTAG-AP, Zynq devices do not support this feature.

Table 27-5: AP Registers Summary

AP Register	Access	Description
CSW	IR=APACC/ADDRESS = 0x0	Control and status word
TAR	IR=APACC/ADDRESS = 0x4	Transfer address, TAR
DRW	IR=APACC/ADDRESS = 0xC	Data read/write
BD0-3	IR=APACC/ADDRESS = 0x10 to 0x1C	Band data 0 to 3

## 27.6 Trace Port Interface Unit (TPIU)

Table 27-6 shows all registers within the TPIU.

Table 27-6: TPIU Registers Summary

TPIU Register	Offset	Description
SUPPORT_PORT_SIZE	0x0	32-bit register with each bit indicating whether a single port size is allowed
CURRENT_PORT_SIZE	0x4	Indicates current trace port size with only 1 of 32-bits that could be set
TRIG_MODE	0x100	Indicates trigger mode support
TRG_COUNT	0x104	8-bit register to enable delaying the indication of triggers to the external trace capture device
TRIG_MULT	0x108	Trigger counter multiplier
TEST_PATTERN	0x200-0x208	Configures a test pattern to generate a known bit sequence that could be capture by external capture device
FORMAT_SYNC	0x300-0x308	Control generation of stop, trigger, and flush events

## 27.7 Xilinx TAP Controller

The Xilinx TAP contains four mandatory dedicated pins as specified by the protocol and typical JTAG architecture. Table 27-7 shows Xilinx TAP IR commands. Refer to [UG470, 7 Series FPGAs Configuration User Guide](#) for more details about the IR commands.

Table 27-7: JTAG Commands

Boundary Scan Command	Binary Code[5:0]	Description
EXTEST	000000	Enables boundary-scan EXTEST operation
SAMPLE	000001	Enables boundary-scan SAMPLE operation
USER1	000010	Access user-defined register 1
USER2	000011	Access user-defined register 2
USER3	100010	Access user-defined register 3
USER4	100011	Access user-defined register 4
CFG_OUT	000100	Access the configuration bus for readback
CFG_IN	000101	Access the configuration bus for configuration
USERCODE	001000	Enables shifting out user code
IDCODE	001001	Enables shifting out of ID code
ISC_ENABLE	010000	Marks the beginning of ISC configuration; full shutdown is executed

Table 27-7: JTAG Commands (Cont'd)

Boundary Scan Command	Binary Code[5:0]	Description
ISC_PROGRAM	010001	Enables in-system programming
ISC_PROGRAM_SECURITY	010010	Change security status from secure to non-secure mode and vice versa
ISC_NOOP	010100	No operation
ISC_READ	101011	Used to read back BBR
ISC_DISABLE	010111	Completes ISC configuration. Startup sequence is executed
BYPASS	111111	Enables bypass

# System Test and Debug

---

## 28.1 Introduction

The test and debug capability of Zynq-7000 AP SoC devices enables users to debug the PS and PL using intrusive and non-intrusive debug. Users can debug a complete system, including the PS and PL together. In addition to debugging software, users are also able to debug key hardware points in the PS and user-selected key hardware points in the PL.

The test and debug capability is based on the *ARM CoreSight v1.0 Architecture Specification* and consists mostly of ARM-supplied components, but also includes one Xilinx-supplied component. ARM CoreSight architecture defines four classes of CoreSight components: access and control, trace source, trace link, and trace sink.

Components of the access and control class provide a user interface to access the debug infrastructure through JTAG or memory-mapped locations. This class of components also coordinates the operation of separate CoreSight components with a trigger signal distribution network. Components of the trace source class capture debug information, like instruction addresses, bus transaction addresses, and generate trace packets. These trace packets are routed to components of the trace link class where trace packets can be combined or replicated. Components of the trace sink class receive trace packets and dump them into an on-chip trace buffer, or output them to chip pinouts (via the MIO) or to the PL (via the EMIO).

CoreSight components are connected together via three major types of buses/signals; programming, trigger, and trace. The programming bus is the path for the access and control class to convey programming information from the JTAG or from processors to other CoreSight components. The trigger signals are used by all classes of components to receive and send triggers from/to each other to coordinate their operation. The trace bus is the main pathway for trace packets to flow, connecting trace source, trace links, and trace sinks.

### 28.1.1 Features

The CoreSight components provide the following capabilities for the system-wide trace:

- Debug and trace visibility of whole systems with a single debugger connection
- Cross triggering support between SoC subsystems
- Multi-source trace in a single stream
- Higher data compression than previous solutions
- Standard programmer's models for standard tools support

- Automatic discovery of topology
- Open interfaces for third party soft cores
- Low pin count options

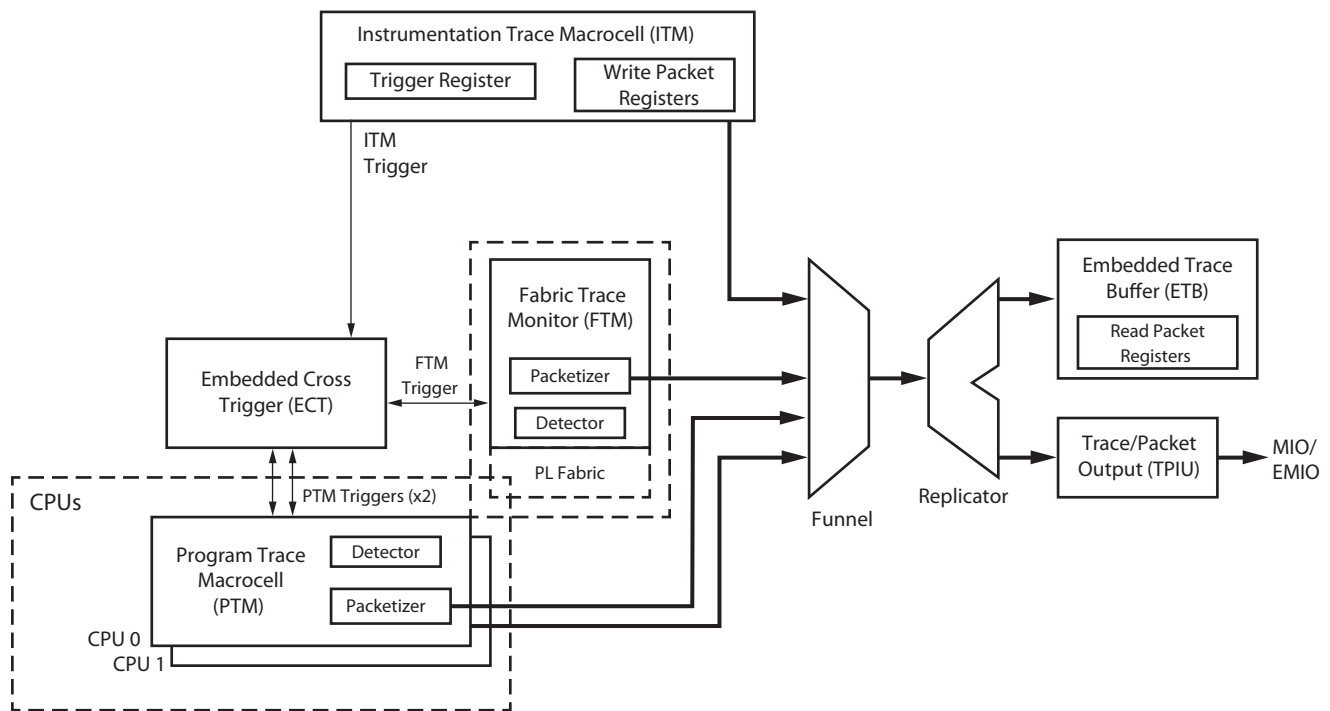
## 28.1.2 Notices

### 7z010 CLG225 Device

This device supports 32 MIO pins as shown in the MIO table in section 2.5.4 MIO-at-a-Glance Table. The width of the TPIU in the 7x010 CLG225 device is restricted to 1, 2 or 4-bits via the MIO pins. All 32 data signals are available on the EMIO interface. All of the 7z010 CLG225 device restrictions are listed in section 1.1.3 Notices.

## 28.2 Functional Description

The block diagram for the CoreSight system is shown in Figure 28-1.



UG585\_c28\_01\_022612

Figure 28-1: CoreSight System Block Diagram

Figure 28-1 shows the four classes of CoreSight components:

- Access and control: DAP, ECT
- Trace source: PTM, FTM, ITM
- Trace link: Funnel, Replicator
- Trace sink: ETB, TPIU

The components are connected by three types of buses/signals:

- Programming
- Trigger
- Trace

The CoreSight system interacts with:

- CPUs through PTM for debug and trace
- CPUs through ITM for trace
- PL through FTM for debug and trace
- CPUs through ETB for dumping trace
- EMIO/MIO through TPIU for dumping trace
- CPUs/JTAG through DAP for programming CoreSight components

## 28.2.1 Debug Access Port (DAP)

The DAP is the front-end for user access to the Zynq-7000s AP SoC system test and debug functionalities. It is a CoreSight component of the access and control class, and connects to other components using the programming bus. DAP provides the user, with two interfaces to access the CoreSight infrastructure:

- External: JTAG, from chip pinout
- Internal: APB slave, from the slave interconnect

A debugger can use JTAG to communicate with the CoreSight infrastructure, while software running on a CPU uses APB through memory-mapped addresses assigned to the CoreSight infrastructure. The DAP forwards access requests arriving via either interface to the requested CoreSight component.

In addition, the DAP also has another interface to access subsystems other than CoreSight, on the PS:

- Internal: AHB master, to the master interconnect

With AHB, the DAP can forward access requests from JTAG to other subsystems in the PS, subject to authentication requirements. For example, a debugger can query the value of a location in DDR or the value of a coprocessor register.

The DAP follows the access model described in *ARM Debug Interface v5 Architecture Specification* and *ARM Debug Interface v5.1 Architecture Supplement*, where JTAG indirectly accesses debug components and resources by way of registers in the DAP.

The DAP block is an ARM-supplied IP with the following configuration:

- JTAG is the only external interface on chip pinout. Serial wire interface (SW-DP) is not present.
- APB slave and AHB master are the two internal interfaces. JTAG at the DAP's internal side (JTAG-AP) is present, but only the nSRSTOUT[0] output is connected to the system reset controller.
- Power-down is not supported.

## 28.2.2 Embedded Cross Trigger (ECT)

ECT is the cross-triggering mechanism. Through ECT, a CoreSight component can interact with other components by sending and receiving triggers. ECT is implemented with two components:

- CTM: Cross Trigger Matrix
- CTI: Cross Trigger Interface

One or more CTMs form an event broadcasting network with multiple channels. A CTI listens to one or more channels for an event, maps a received event into a trigger, and sends the trigger to one or more CoreSight components connected to the CTI. A CTI also combines and maps the triggers from the connected CoreSight components and broadcasts them as events on one or more channels. Both CTM and CTI are CoreSight components of the control and access class.

ECT is configured with:

- Four broadcast channels
- Four CTIs
- Power-down is not supported.

Table 28-1 lists the connections of trigger inputs and outputs of the CTIs.

Table 28-1: CTI Trigger Inputs and Outputs

CTI Trigger Port	Signal
<b>CTI (connected to ETB, TPIU)</b>	
Trigger input 2	ETB full
Trigger input 3	ETB acquisition complete
Trigger input 4	ITM trigger
Trigger output 0	ETB flush
Trigger output 1	ETB trigger
Trigger output 2	TPIU flush
Trigger output 3	TPIU trigger
<b>CTI (connected to FTM)</b>	
Trigger input 0	FTM trigger
Trigger input 1	FTM trigger
Trigger input 2	FTM trigger

Table 28-1: CTI Trigger Inputs and Outputs (Cont'd)

CTI Trigger Port	Signal
Trigger input 3	FTM trigger
Trigger output 0	FTM trigger
Trigger output 1	FTM trigger
Trigger output 2	FTM trigger
Trigger output 3	FTM trigger
<b>CTI (connected to CPU0)</b>	
Trigger input 0	CPU0 DBGACK
Trigger input 1	CPU0 PMU IRQ
Trigger input 2	PTM0 EXT
Trigger input 3	PTM0 EXT
Trigger input 4	CPU0 COMMTX
Trigger input 5	CPU0 COMMRX
Trigger input 6	PTM0 TRIGGER
Trigger output 0	CPU0 debug request
Trigger output 1	PTM0 EXT
Trigger output 2	PTM0 EXT
Trigger output 3	PTM0 EXT
Trigger output 4	PTM0 EXT
Trigger output 7	CPU0 restart request
<b>CTI (connected to CPU1)</b>	
Trigger input 0	CPU1 DBGACK
Trigger input 1	CPU1 PMU IRQ
Trigger input 2	PTM1 EXT
Trigger input 3	PTM1 EXT
Trigger input 4	CPU1 COMMTX
Trigger input 5	CPU1 COMMRX
Trigger input 6	PTM1 TRIGGER
Trigger output 0	CPU1 debug request
Trigger output 1	PTM1 EXT
Trigger output 2	PTM1 EXT
Trigger output 3	PTM1 EXT
Trigger output 4	PTM1 EXT
Trigger output 7	CPU1 restart request

**Note:** For details on the two CTIs connected to CPU0 and CPU1, refer to the *CoreSight PTM-A9 Technical Reference Manual, r1p0, DDI0401C*, section 1.3.6.



### 28.2.3 Program Trace Macrocell (PTM)

The PTM is the block for tracing processor execution flow. It is based on the ARM program flow trace (PFT) architecture, and is a CoreSight component of the trace source class. The PTM generates information that trace tools use to reconstruct the execution of a program, by tracing only certain points in program execution called waypoints. This reduces the amount of trace data. Timestamps are supported for correlating multiple trace streams and coarse grain code profiling.

The PTM provides some general resources, such as address/ID comparators, counter, sequencers, for setting up user-defined event triggering conditions. This enhances the base functions of tracing program execution.

The PTM block in Zynq-7000 AP SoC devices is the standard ARM-supplied IP, with the no custom configuration.

### 28.2.4 Instrumentation Trace Macrocell (ITM)

The ITM is the block for software to generate a trace. It is a CoreSight component of the trace source class. Triggering and coarse-grained time stamping are also supported. The main uses include:

- printf style debugging
- Trace OS and application events
- Emit diagnostic system information

The ITM block in Zynq-7000 AP SoC devices is the standard ARM-supplied IP, with the no custom configuration.

### 28.2.5 Funnel

The funnel is the block for merging trace data from multiple sources into a single stream. It is a CoreSight component of the trace link class. Users select the sources to be merged and assign priorities to them.

The funnel in Zynq-7000 AP SoC devices is the standard ARM-supplied IP, with the no custom configuration.

Table 28-2 lists the connections of the input ports of the Funnel.

Table 28-2: Funnel Input Port List

Port	Trace Source
0	PTM0
1	PTM1
2	FTM
3	ITM
4-7	unused

## 28.2.6 Embedded Trace Buffer (ETB)

The ETB is the on-chip storage of trace data. It is a CoreSight component of the trace sink class. The ETB provides real-time full-speed storing capability, but is limited in size. Triggering is supported for events such as buffer full and acquisition complete.

The ETB block in Zynq-7000 AP SoC devices is an ARM-supplied IP, with the following configuration:

- RAM size: 4 KB

## 28.2.7 Trace Packet Output (TPIU)

The TPIU is the block for outputting trace data to the PL or to chip pinout. It is a CoreSight component of the trace sink class. The TPIU provides unlimited trace data output, but is limited in bandwidth. Triggering and flushing are both supported.

The TPIU block in Zynq-7000 AP SoC devices is an ARM-supplied IP, with the following configuration:

- Max data width: 32

Table 28-3 shows the two operating modes of TPIU.

Table 28-3: Operating Modes of TPIU

SLCR[DBG_CLK_CTRL[6]]	Values	
	1	0
Active interface	EMIO	MIO
Clock source to operate the TPIU	EMIOTRACECLK	PS clock controller
Output clock present?	No	Yes
Clock edge(s) to sample trace data and control	Rising	Rising and falling
Supported data widths	1, 2, 4, 8, 16, 32	1, 2, 4, 8, 16
Application Note	Since PL supplies the clock to TPIU, PL can use the same clock to sample.	External device should delay the trace clock output by approximately half clock period, and use the delayed clock to sample.

Figure 28-2 shows the waveforms of TPIU I/O signals in the two modes. In EMIO mode, the PL supplies the trace clock signal to TPIU; PL can use the same clock to sample the trace data and control signals from PS. In MIO mode, all signals, including data, control, and clock, are aligned at the selected MIO pins; therefore, the external device should delay the trace clock output by approximately half the clock period to successfully sample the trace data and control signals.

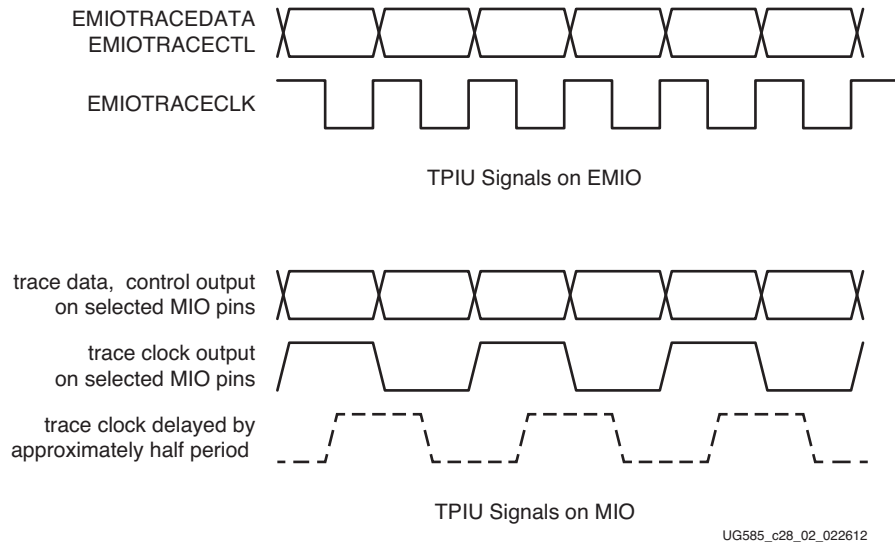


Figure 28-2: TPIU Operating Mode Waveforms

## 28.3 I/O Signals

Table 28-4 identifies the system test and debug I/O signals. The MIO pins and any restrictions based on device version are shown in the MIO table in section 2.5.4 MIO-at-a-Glance Table.

Table 28-4: Signals List

TPIU Signal	Default Input Value	MIO Pins			EMIO Signals		
		Number	I/O	Pin Name	Signal Name	I/O	
Trace clock input	0	~	~	~	EMIOTRACECLK	I	
Trace clock output	~	12 or 24	O	TRACE_CTL[0]	~	~	
Trace control	~	13 or 25	O	TRACE_CTL[1]	EMIOTRACECTL	O	
Trace data	~	1-bit	14 or 26	O	TRACE_DATA[15:0]	EMIOTRACEDATA[31:0]	O
		2-bit	15, 14 or 27, 26				
		4-bit	11, 10, 15, 14 or 23, 22, 27, 26				
		8-bit	19-16, 11, 10, 15, 14				
		16-bit	9-2,19-16,11,10,15,14				

## 28.4 Register Overview

### 28.4.1 Memory Map

Per the CoreSight specification, each CoreSight component has 4 kB address space. [Table 28-5](#) lists the base address of each CoreSight component.

Table 28-5: Memory Map

Component	Base Address
DAP ROM	0xF880_0000
ETB	0xF880_1000
CTI (connected to ETB, TPIU)	0xF880_2000
TPIU	0xF880_3000
Funnel	0xF880_4000
ITM	0xF880_5000
CTI (connected to FTM)	0xF880_9000
FTM	0xF880_B000
Cortex-A9 ROM	0xF888_0000
CPU0 debug logic	0xF889_0000
CPU0 PMU	0xF889_1000
CPU1 debug logic	0xF889_2000
CPU1 PMU	0xF889_3000
CTI (connected to CPU0, PTM0)	0xF889_8000
CTI (connected to CPU1, PTM1)	0xF889_9000
PTM0 (for CPU0)	0xF889_C000
PTM1 (for CPU1)	0xF889_D000

**Note:** CPU0 debug logic and CPU1 debug logic can also be accessed through CP14 coprocessor instructions. See the *Cortex-A9 Technical Reference Manual* for details.

## 28.4.2 Functionality

Table 28-6 summarizes the registers in each CoreSight component.

Table 28-6: CoreSight Component Register Summary

Function	Name	Overview
<b>DAP ROM</b>		
Pointers	Entry0-9	Pointers to other CoreSight components
CoreSight management	Peripheral ID0-7 Component ID0-3	These registers provide identification information
<b>ETB</b>		
Control	CTL	Enable/disable capture
Status	STS	Status on pipeline, acquisition, trigger, full/empty
RAM depth	RDP	Depth of RAM in words
RAM read	RRD, RRP	Read pointer and data
RAM write	RWD, RWP	Write pointer and data
Trigger counter	TRG	Sets the number of words to be stored after a trigger event
Formatter and flush	FFCR, FFSR	Stop events, trigger mark, flush start, formatting control
CoreSight management	Peripheral ID Component ID Device ID, type Claim, lock, authentication Integration test	These registers provide: <ul style="list-style-type: none"> <li>• Identification information</li> <li>• Authentication and access control</li> <li>• Integration test</li> </ul>
<b>CTI</b>		
Control	CONTROL	Enable/disable CTI
Acknowledge	INTACK	Provide for SW to acknowledge TRIGOUT when no hardware acknowledge is supplied
Channel event generation	APPSET, APPCLR, APPULSE	Raise/clear/pulse channel events, used with GATE register to create local events
Channel event gating	GATE	Prevent the channel events from propagating to other CTI's in the system
Forwarding control	INEN, OUTEN	Enable the forwarding of events between the trigger interface and the channel interface
Trigger/Channel interface status	TRIGINSTATUS, TRIGOUTSTATUS, CHINSTATUS, CHOUTSTATUS	Provide the current status of the trigger and channel interfaces
CoreSight management	Peripheral ID Component ID Device ID, type Claim, lock, authentication Integration test	These registers provide: <ul style="list-style-type: none"> <li>• Identification information</li> <li>• Authentication and access control</li> <li>• Integration test</li> </ul>

Table 28-6: CoreSight Component Register Summary (Cont'd)

Function	Name	Overview
<b>TPIU</b>		
Supported feature		Show maximum and current values of supported port size, test patterns, etc.
Trigger		Set Trigger counter, multiplier
Testing		Set test pattern, modes and repeat count
Format and finish		Control and status of formatter and flush
CoreSight management	Peripheral ID Component ID Device ID, type Claim, lock, authentication Integration test	These registers provide: <ul style="list-style-type: none"> <li>• Identification information</li> <li>• Authentication and access control</li> <li>• Integration test</li> </ul>
<b>Funnel</b>		
Control	Control, Priority	Enable slave ports, set hold time, and priority
CoreSight management	Peripheral ID Component ID Device ID, type Claim, lock, authentication Integration test	These registers provide: <ul style="list-style-type: none"> <li>• Identification information</li> <li>• Authentication and access control</li> <li>• Integration test</li> </ul>
<b>ITM</b>		
Control	CR, SCR	Enable ITM, configure features like timestamp, sync packets, sync count, etc.
Stimulus	SPR	Cause the write data to be inserted into the FIFO for packets
Trace	TER, TTR	Enable trace and trigger
CoreSight management	Peripheral ID Component ID Device ID, type Claim, lock, authentication Integration test	These registers provide: <ul style="list-style-type: none"> <li>• Identification information</li> <li>• Authentication and access control</li> <li>• Integration test</li> </ul>
<b>FTM</b>		
<b>Cortex-A9 Integration ROM</b>		
Pointers	Entry	Pointers to other CoreSight components for A9
CoreSight management	Peripheral ID Component ID	These registers provide identification information
<b>CPU debug</b>		
Control	DBGDSCCR	Controls cache behavior while the CPU is in debug state
Breakpoints	BVR BCR	Set breakpoint values, and control breakpoints. A breakpoint can be set on an Instruction Virtual Address (IVA) or/and a Context ID
Watchpoints	WVR WCR	Set watchpoint values, and control watchpoints. A watchpoint can be set on a Data Virtual Address (DVA) or with a Context ID

Table 28-6: CoreSight Component Register Summary (Cont'd)

Function	Name	Overview
CoreSight management	Peripheral ID Component ID Device ID, type Claim, lock, authentication Integration test	These registers provide: <ul style="list-style-type: none"> <li>• Identification information</li> <li>• Authentication and access control</li> <li>• Integration test</li> </ul>
<b>CPU PMU</b>		
Control	PMCR	Performance monitor control
Status	PMOVSr	Overflow flag status
Counter	PMCNTENSET PMCNTENCLR PMSELR PMCCNTR	Counter enable set/clear, software increment, cycle count
Event counters	PMXEVTYPER PMXEVCNTR	Counters to gather statistics on the operation of the processor and memory system
User enable	PMUSERENR	User enable
Interrupt Enable	PMINTENSET PMINTENCLR	Interrupt enable set/clear
<b>PTM</b>		
Configuration	ETMCR, ETMCCR, ETMTRIGGER, ETMSR, ETMSCR	Main control registers, configuration, set trigger events, and status
Trace Enable control	ETMSSSCR, ETMTSEVR, ETMTECR1	Trace enable start/stop, Trace enable event, Trace enable control
Address comparators	ETMACVR, ETMACTR	Address comparator values, types
Counters	ETMCNTRLDVR, ETMCNTENR, ETMCNTVR	Counter reload values, enable events, reload events, current values
Sequencers	ETMSQMNEVR, ETMSQR	Sequencer state transition events, sequencer current state
External output event	ETMEXTOUTEVER	Set events that control the corresponding external output
Context ID comparators	ETMCIDCVR1, ETMCIDCMR	Context ID comparator value, mask Sync frequency, ID
General control	ETMSYNCFR, ETMIDR	Sync frequency, ID
Misc.	ETMCCER, ETMEXTINSELR, ETMTSEVR, ETMAUXCR, ETMTRACEIDR, ETMOSLSR	Configuration code, external input selection, timestamp, auxiliary control, CoreSight trace ID, OS lock, power-down
CoreSight management	Peripheral ID Component ID Device ID, type Claim, lock, authentication Integration test	These registers provide: <ul style="list-style-type: none"> <li>• Identification information</li> <li>• Authentication and access control</li> <li>• Integration test</li> </ul>

## 28.5 Programming Model

### 28.5.1 Authentication Requirements

ARM CoreSight infrastructure uses four signals to control authentication:

- DBGEN                Invasive debug enable
- NIDEN               Non-invasive debug enable
- SPIDEN              Secure invasive debug enable
- SPNIDEN            Secure non-invasive debug enable

Table 28-7 lists the Zynq-7000 AP SoC device authentication requirements for the CoreSight components.

Table 28-7: CoreSight Authentication Requirements by Component

Requirement	DBGEN	NIDEN	SPIDEN	SPNIDEN
<b>DAP AHB master</b>				
Non-secure access	1	x	0	x
Secure access	1	x	1	x
<b>CTI (connected to ETB, TPIU) CTI (connected to FTM)</b>				
Enable all trigger inputs	x	x	x	x
Enable all trigger outputs	x	x	x	x
<b>CTI (connected to CPU0) CTI (connected to CPU1)</b>				
Enable trigger input 0	x	1	x	x
Enable trigger input 1	x	1	x	x
Enable trigger input 2	x	1	x	x
Enable trigger input 3	x	1	x	x
Enable trigger input 4	x	1	x	x
Enable trigger input 5	x	1	x	x
Enable trigger input 6	x	1	x	x
Trigger output 0	1	x	x	x
Trigger output 1	x	x	x	x
Trigger output 2	x	x	x	x
Trigger output 3	x	x	x	x
Trigger output 4	x	x	x	x
Trigger output 6	1	x	x	x
Trigger output 7	x	x	x	x



Table 28-7: CoreSight Authentication Requirements by Component (Cont'd)

Requirement	DBGEN	NIDEN	SPIDEN	SPNIDEN
<b>Funnel</b>				
<b>TPIU</b>				
<b>ETB</b>				
(no authentication is required)	x	x	x	x
<b>ITM</b>				
Disable stimulus registers 0-15	0	0	0	0
Disable stimulus registers 16-31	x	x	0	0
<b>CPU debug</b>				
<b>CPU PMU</b>				
Non-secure invasive debug	1	x	x	x
Non-secure non-invasive debug	1	x	x	x
	0	1	x	x
Secure invasive debug	1	x	1	x
Secure non-invasive debug	1	x	1	x
	1	x	x	1
	x	1	1	x
	x	1	x	1
<b>PTM</b>				
Prohibited regions of trace	Use the following to determine: if (~NIDEN & ~DBGEN) Prohibited = 1 else if (security level == non-secure) Prohibited = 0 else if ((privilege level == user) & (SUNIDEN)) Prohibited = 0 else if (SPIDEN    SPNIDEN) Prohibited = 0 else Prohibited = 1			

# On-Chip Memory (OCM)

---

## 29.1 Introduction

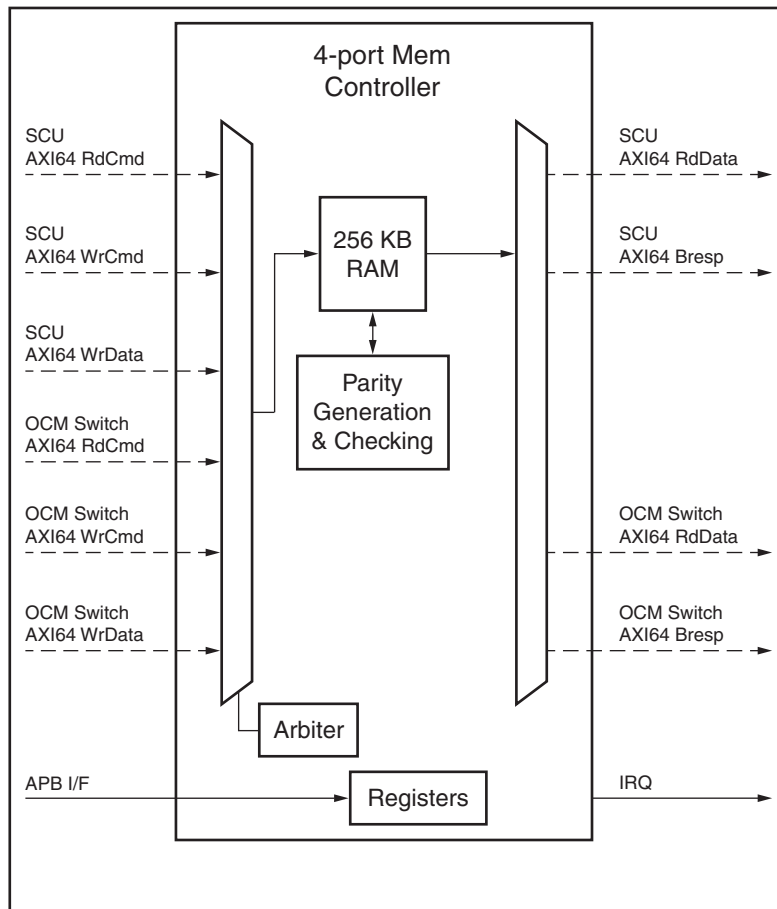
The on-chip memory (OCM) module contains 256 KB of RAM and 128 KB of ROM (BootROM). It supports two 64-bit AXI slave interface ports, one dedicated for CPU/ACP access via the APU snoop control unit (SCU), and the other shared by all other bus masters within the processing system (PS) and programmable logic (PL). The BootROM memory is used exclusively by the boot process and is not visible to the user.

OCM supports high AXI read and write throughput for RAM access by implementing the RAM as a double-wide memory (128 bits). To take advantage of the high RAM access throughput, the user application must use even AXI burst sizes and 128-bit aligned addresses.

The TrustZone feature is supported at 4-KB memory granularity. The entire 256 KB of RAM can be divided into sixty four 4-KB blocks, and assigned security attributes independently. See *Programming ARM TrustZone Architecture on the Xilinx Zynq-7000 All Programmable SoC* (UG1019).

As shown in [Figure 29-1](#), there are 10 AXI channels associated with the OCM, five for the CPU/ACP (SCU) port and five for the other PS/PL masters (OCM switch port). Arbitration between the read and write channels of the SCU and OCM switch ports is performed within the OCM module. Parity generation and checking is performed on RAM accesses only. Other main interfaces are an interrupt signal (IRQ ID #35) as well as a register access APB port.

## 29.1.1 Block Diagram



UG585\_c29\_01\_042512

Figure 29-1: OCM Block Diagram

## 29.1.2 Features

Key features of the OCM include:

- On-chip 256 KB RAM
- On-chip 128 KB BootROM (not user visible)
- Two AXI 3.0, 64-bit slave interfaces
- Low latency path for CPU/ACP reads to OCM (CPU at 667 MHz – minimum 23 cycles)
- Round-robin pre-arbitration between read and write AXI channels on OCM-interconnect port (non-CPU port)
- Fixed priority arbitration between the CPU/ACP (via SCU) and OCM-interconnect AXI ports
- Supports full AXI 64-bit bandwidth of simultaneous read and write commands (with optimal alignment restrictions) on the OCM interconnect port
- Random access supported to RAM from AXI masters

- TrustZone support for on-chip RAM with 4 KB page granularity
- Flexible address mapping capability
- RAM byte-wise parity generation, checking, and interrupt support
- Support for the following non-AXI features on the CPU (SCU) port:
  - Zero line fill
  - Pre-fetch hint
  - Early BRESP
  - Speculative line pre-fetch

### 29.1.3 System Viewpoint

A system viewpoint of the OCM is illustrated in [Figure 29-2](#).

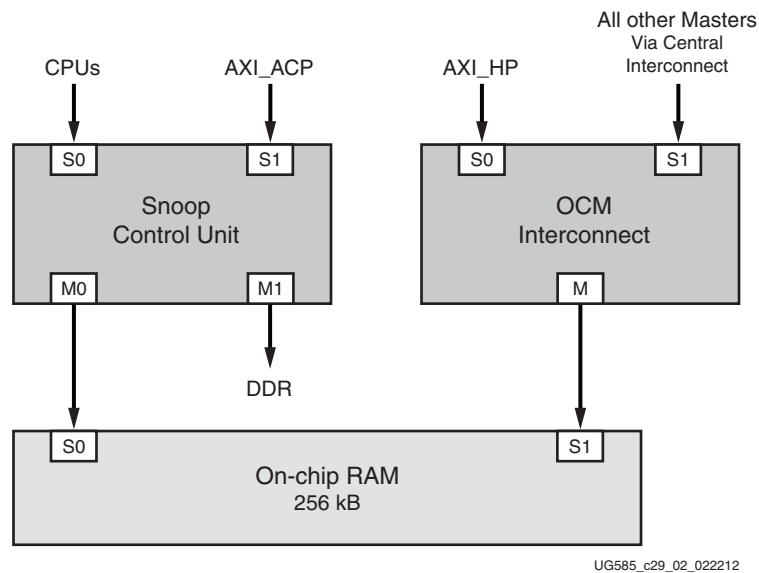


Figure 29-2: OCM System Viewpoint

## 29.2 Functional Description

### 29.2.1 Overview

The OCM module is mainly composed of a RAM memory block. The OCM module also contains arbitration, framing, parity, and interrupt logic in addition to the RAM array.

### 29.2.2 Optimal Transfer Alignment

The RAM is implemented as a single-ported, double-width (128-bit) module that can emulate a dual-ported memory under specific conditions. This emulation of dual-ported operation occurs automatically when 128-bit aligned, even burst multiples of AXI commands are used to access the 64-bit wide OCM AXI interfaces. Optimized bursts are theoretically able to achieve 100% throughput of the RAM. If bursts are not aligned to 128 bits or burst lengths are odd multiples of 64-bits, the control logic automatically realigns transfers inside the module — start and end addresses can be presented to the RAM as 64-bit operations instead of more optimal 128-bit operations.

Configuring OCM memory as *device memory* in the MMU or using narrow, non-modifiable accesses through the ACP port is not recommended. In this mode, pipelined 32-bit accesses are generated on the SCU port. This type of traffic pattern does not take advantage the double-width memory and effectively reduces OCM efficiency to 25%.

### 29.2.3 Clocking

The OCM module is clocked by the CPU\_6x4x clock. However, the RAM array itself is an exception, and is clocked by CPU\_2x, though its 128-bit width is double that of any of the incoming 64-bit wide AXI channels. The OCM switch feeding the OCM module is clocked by CPU\_2x, and the SCU is clocked by CPU\_6x4x.

### 29.2.4 Arbitration Scheme

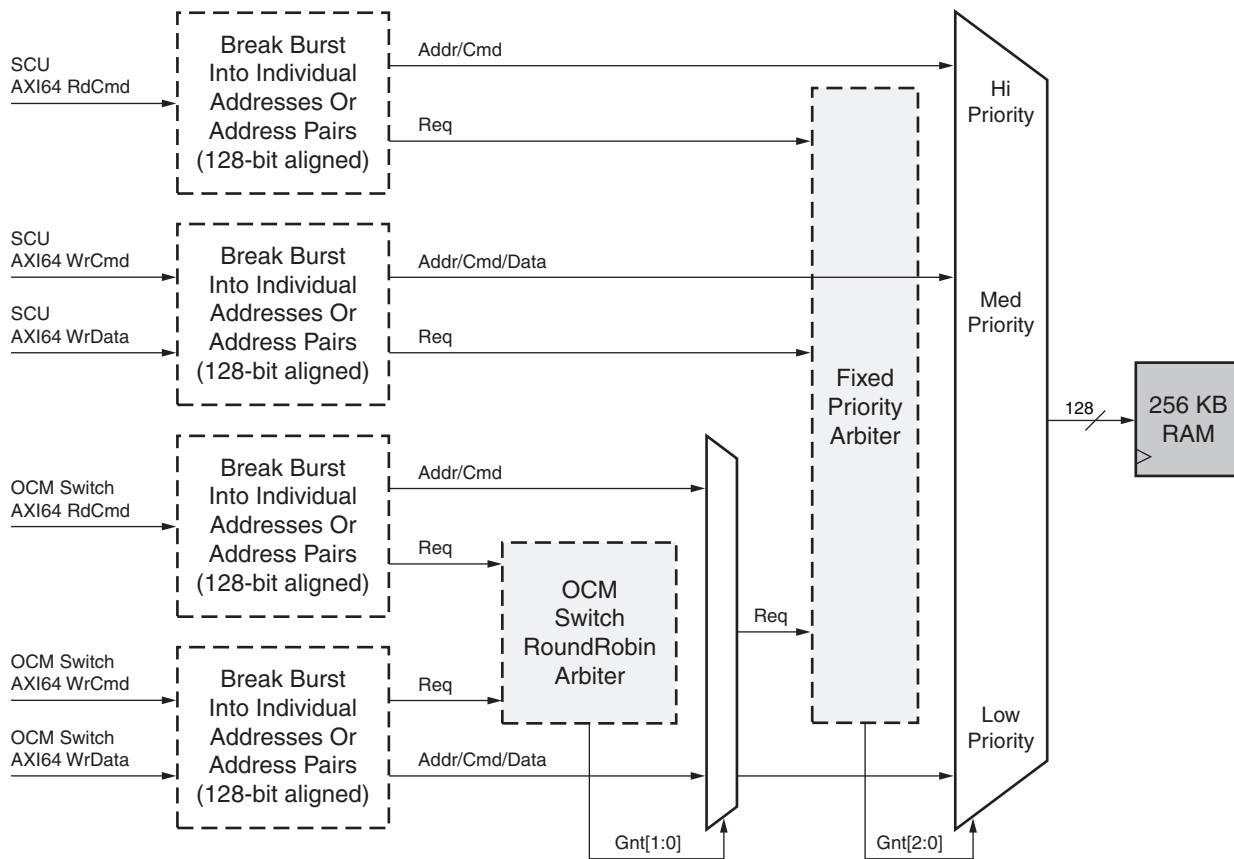
Apart from the CPUs and ACP, all other AXI bus masters are assumed to not have a strong latency requirement. Therefore, the OCM uses a fixed arbitration scheme (on a data beat basis) between the two AXI slave interfaces. The default order of decreasing priorities is:

1. SCU-Rd
2. SCU-Wr
3. OCM-Switch

Using the `ocm.OCM_CONTROL.ScuWrPriorityLo` register setting (see [Appendix B, Register Details](#)), the decreasing priority arbitration can be modified to:

1. SCU-Rd
2. OCM-Switch
3. SCU-Wr

Arbitration is implemented as shown in Figure 29-3.



UG585\_c29\_03\_042512

Figure 29-3: Default (ScuWrPriorityLo=0) OCM Arbitration

There is an additional round-robin pre-arbitration process that selects between a read or write transaction on a per data-beat basis for the OCM-switch port traffic.

**Note:** Arbitration is performed on a transfer (data beat or clock cycle) basis, not on an AXI command basis. The in-coming AXI read and write commands are split into individual addresses (or 128-bit address pairs for aligned bursts) before arbitration.

**Note:** Each individual write address beat will not request access to the memory array until the write data associated with it is available inside the OCM module — this prevents the scenario of a write request being stalled due to write data not being available.

### Starvation Scenarios

System constraints on the OCM are:

- The RAM array and OCM Switch port are clocked with CPU\_2x which runs at one third or one half the CPU clock.
- The SCU (CPU/ACP) port is clocked at full the CPU clock rate.
- Each of the four incoming AXI data channels are 64-bits wide.

- The RAM array is 128-bits wide.
- The OCM switch port has separate read and write channels that can be simultaneously active.
- The SCU (CPU/ACP) port has separate read and write channels that can be simultaneously active.
- The SCU (CPU/ACP) port channels have a fixed arbitration priority higher than the OCM switch port by default.

As a result of these constraints, saturation of the RAM can occur by the SCU CPUs or ACP interfaces, starving the OCM switch and the masters it serves. However, if the CPU(s) are running with caches on, the rate at which they produce new commands to this module is sufficiently low to allow the OCM switch port to share the RAM. The arbitration priority of the OCM switch can also be raised above the priority of the SCU write channels.

Configuring OCM memory as *Device Memory* in the MMU or using narrow, non-modifiable accesses through the ACP can also contribute to OCM switch port starvation; see section [29.2.2 Optimal Transfer Alignment](#).

In general, the guidelines of ACP usage detailed under the ACP chapter should be followed, as this port effectively produces commands on the SCU port to the OCM, which might cause starvation to the OCM switch.

## Address Mapping

The address range assigned to the OCM can be modified to exist in the first or last 256 KB of the address map, to flexibly handle the ARM low or high exception vector modes. In addition, the CPU and ACP AXI interfaces can have their lowest 1 MB address range accesses diverted to DDR, using the SCU address filtering feature. This section describes these features through a series of example address configurations.

## Mapping Summary

(See [Appendix B, Register Details](#) for detailed register information.)

When addressing the OCM the following details should be considered:

- The 256 KB RAM array can be mapped to either a low address range (0x0000\_0000 to 0x0003\_FFFF) or a high address range (0xFFFC\_0000 to 0xFFFF\_FFFF) in a granularity of four independent 64 KB sections via the 4-bit `slcr.OCM_CFG[RAM_HI]`.
- The SCU address filtering (`mpcore.SCU_CONTROL_REGISTER[Address_filtering_enable]`) field is set by hardware on any form of reset and should not be disabled by the user. Address filtering on non-OCM addresses is necessary to correctly route transactions between the two downstream SCU ports. The address filtering range has a 1 MB granularity.
- The SCU address filtering feature is able to redirect accesses from its CPU and ACP masters targeting the range (0x0000\_0000 to 0x000F\_FFFF) which includes the OCM's low address range, to the PS DDR DRAM, independent of the RAM address settings.
- For each 64 KB section mapped to the high OCM address range via `slcr.OCM_CFG[RAM_HI]` which is not also part of the SCU address filtering range will be aliased for CPU and ACP masters at a range of 0x000C\_0000-0x000F\_FFFF.

- All other masters that do not pass through the SCU are always unable to access the lower 512 KB of DDR in the OCM's low address range (0x0000\_0000 to 0x0007\_FFFF).
- Accesses to addresses which the RAM array is not currently mapped to are given an error response.

## Initial View

Upon entering user mode, the BootROM is no longer accessible, and the RAM space is split. Note that one 64 KB range resides at the high OCM address, and the other 192 KB resides at the lower address range. Table 29-1 and Table 29-2 identify the initial OCM/DDR address map and register settings, respectively.

Attempted accesses to reserved areas return all zeroes along with a SLVERR bus response.

Table 29-1: Initial OCM/DDR Address Map

Address Range (Hex)	Size	CPUs/ACP	Other Masters
0000_0000 - 0000_FFFF	64 KB	OCM	OCM
0001_0000 - 0001_FFFF	64 KB	OCM	OCM
0002_0000 - 0002_FFFF	64 KB	OCM	OCM
0003_0000 - 0003_FFFF	64 KB	Reserved	Reserved
0004_0000 - 0007_FFFF	256 KB	Reserved	Reserved
0008_0000 - 000B_FFFF	256 KB	Reserved	DDR
000C_0000 - 000C_FFFF	64 KB	Reserved	DDR
000D_0000 - 000D_FFFF	64 KB	Reserved	DDR
000E_0000 - 000E_FFFF	64 KB	Reserved	DDR
000F_0000 - 000F_FFFF	64 KB	OCM3 (alias)	DDR
0010_0000 - 3FFF_FFFF	1,023 MB	DDR	DDR
FFFC_0000 - FFFC_FFFF	64 KB	Reserved	Reserved
FFFD_0000 - FFFD_FFFF	64 KB	Reserved	Reserved
FFFE_0000 - FFFE_FFFF	64 KB	Reserved	Reserved
FFFF_0000 - FFFF_FFFF	64 KB	OCM3	OCM3

Table 29-2: Initial Register Settings

Register	Value
slcr.OCM_CFG[RAM_HI]	1000
mpcore.SCU_CONTROL_REGISTER[Address_filtering_enable]	1
mpcore.Filtering_Start_Address_Register	0x0010_0000
mpcore.Filtering_End_Address_Register	0xFFE0_0000



## OCM Relocation

For a contiguous RAM address range, RAM located at address 0x0000\_0000 to 0x0002\_FFFF can be relocated to base address 0xFFFF\_C0000 by programming the SLCR registers.

Each bit of slcr.OCM\_CFG[RAM\_HI] corresponds to a 64 KB range, with the MSB corresponding to the highest address offset range. For more register programming details, refer to the SLCR information in the system level control registers section of [Appendix B, Register Details](#).

[Table 29-3](#) and [Table 29-4](#) identify an example OCM relocation address map and OCM relocation register settings, respectively.

**Table 29-3: Example OCM Relocation Address Map**

Address Range (Hex)	Size	CPUs/ACP	Other Masters
0000_0000 - 0000_FFFF	64 KB	Reserved	Reserved
0001_0000 - 0001_FFFF	64 KB	Reserved	Reserved
0002_0000 - 0002_FFFF	64 KB	Reserved	Reserved
0003_0000 - 0003_FFFF	64 KB	Reserved	Reserved
0004_0000 - 0007_FFFF	256 KB	Reserved	Reserved
000C_0000 - 000C_FFFF	64 KB	OCM0 (alias)	DDR
000D_0000 - 000D_FFFF	64 KB	OCM1 (alias)	DDR
000E_0000 - 000E_FFFF	64 KB	OCM2 (alias)	DDR
000F_0000 - 000F_FFFF	64 KB	OCM3 (alias)	DDR
0010_0000 - 3FFF_FFFF	1,023 MB	DDR	DDR
FFFC_0000 - FFFC_FFFF	64 KB	OCM0	OCM0
FFFD_0000 - FFFD_FFFF	64 KB	OCM1	OCM1
FFFE_0000 - FFFE_FFFF	64 KB	OCM2	OCM2
FFFF_0000 - FFFF_FFFF	64 KB	OCM3	OCM3

**Table 29-4: Example OCM Relocation Register Settings**

Register	Value
slcr.OCM_CFG[RAM_HI]	1111
mpcore.SCU_CONTROL_REGISTER[Address_filtering_enable]	1
mpcore.Filtering_Start_Address_Register	0x0010_0000
mpcore.Filtering_End_Address_Register	0xFFE0_0000

## SCU Address Filtering

The view of the OCM as seen by the CPUs and ACP via the SCU port relative to other masters via the OCM switch is potentially different. The SCU uses its own dedicated address filtering mechanism to address slaves other than the OCM while the other bus masters in the system are routed via a fixed address decode scheme built into the system interconnects.

These other bus masters always see the OCM with accesses (from address 0x0000\_0000 to 0x0007\_FFFF and address 0xFFFF\_C000 to 0xFFFF\_FFFF) going to OCM space. Depending on how the SLCR OCM registers are configured, these accesses either terminate at the RAM array or to a default reserved address, resulting in an AXI SLVERR error. These other masters potentially see gaps in the RAM address maps.

The CPU/ACP view, however, can be different using the SCU address filtering. For example, if the CPU wants DDR DRAM to be located at address 0x0000\_0000, it can configure the address filtering and SLCR OCM registers so that the address map shown in Table 29-5 is seen. In Table 29-5, note that the CPU/ACP masters are able to address the entire DDR address range, while all other masters cannot address the lower 512 KB of DDR. Table 29-6 identifies example of OCM relocation register settings.

Table 29-5: Example SCU Address Filtering Address Map

Address Range (Hex)	Size	CPUs/ACP	Other Masters
0000_0000 - 0007_FFFF	512 KB	DDR	Reserved
0008_0000 - 000F_FFFF	512 KB	DDR	DDR
0010_0000 - 3FFF_FFFF	1,023 MB	DDR	DDR
FFFC_0000 - FFFC_FFFF	64 KB	OCM0	OCM0
FFFD_0000 - FFFD_FFFF	64 KB	OCM1	OCM1
FFFE_0000 - FFFE_FFFF	64 KB	OCM2	OCM2
FFFF_0000 - FFFF_FFFF	64 KB	OCM3	OCM3

Table 29-6: Example OCM Relocation Register Settings

Register	Value
slcr.OCM_CFG[RAM_HI]	1111
mpcore.SCU_CONTROL_REGISTER[Address_filtering_enable]	1
mpcore.Filtering_Start_Address_Register	0x0000_0000
mpcore.Filtering_End_Address_Register	0xFFE0_0000

## 29.2.5 Interrupts

The OCM module is able to assert an interrupt signal to the APU under the following circumstances:

- Single-bit Parity Error
- Multiple-bit Parity Error
- Unsupported LOCK Request

All interrupts are enabled via the OCM.OCM\_PARITY\_CTRL register. Individual interrupt status is accessed via the OCM.OCM\_IRQ\_STS register, and cleared with a write of 1 to each bit location.

Parity on the RAM array is performed when the OCM.OCM\_PARITY\_CTRL[ParityCheckDis] is not asserted. When parity checking is enabled, a single- or multi-bit parity error sets the appropriate

interrupt status, and triggers an external interrupt if the associated enable bit is set. The address offset of the first parity error is stored in the OCM.OCM\_PARITY\_ERRADDRESS register. For reads, a SLVERR response can also be issued to the requesting master for devices that are unable to or prefer not to handle interrupts.

## 29.3 Register Overview

A partial list of registers related to the OCM is listed in [Table 29-7](#). (See [Appendix B, Register Details](#) for the complete list.)

Table 29-7: On-Chip Memory Register Overview

Module	Register Name	Overview
OCM	OCM_PARITY_ERRADDRESS	Returns RAM parity error address
	OCM_PARITY_CTRL	Set interrupt enables, AXI read response error enable, parity enable, odd parity generation
	OCM_IRQ_STS	Read raw interrupt status, clear interrupts
	OCM_CONTROL	Change pre-arbitration priority
slcr	SLCR_LOCK	SLCR register write disable
	SLCR_UNLOCK	SLCR register write enable
	OCM_RST_CTRL	OCM subsystem reset
	TZ_OCM_RAM0/1	OCM TrustZone
	OCM_CFG	Configures RAM address mapping
mpcore	SCU_CONTROL_REGISTER	SCU address filtering enable
	Filtering_Start_Address_Register	SCU address filtering base address
	Filtering_End_Address_Register	SCU address filtering end address

## 29.4 Programming Model

### 29.4.1 Changing Address Mapping

A method for reorganizing the OCM address space and performing DDR remapping is as follows:

1. Complete all outstanding transactions by issuing data (DSB) and instruction (ISB) synchronization barrier commands.
2. Since the changing the address map may prevent the fetching of the nearby instructions, enable L1 instruction cache, and prefetch cache lines for the remainder of the function, typically with PLI instructions.
3. To facilitate prefetching, consider aligning the instructions to be prefetched to start at a cacheline boundary.

4. Ensure that the instruction prefetching has completed by issuing an ISB instruction.
5. Unlock the SLCR by writing the unlock key value to the slcr.SLCR\_unlock register.
6. Modify the slcr.OCM\_CFG register to change the address ranges that the RAM responds to.
7. Re-lock the SLCR by writing the lock key value to the slcr.SLCR\_lock register, if desired.
8. Modify the mpcore.Filtering\_Start\_Address\_Register to the desired start address of transactions that should be filtered away from the OCM for SCU masters. Typical settings are 0x0010\_0000 (default, do not redirect lower 1 MB), and 0x0000\_0000 (start redirect at lowest address to DDR RAM).
9. Modify the mpcore.Filtering\_End\_Address\_Register to the desired end address of transactions that should be filtered away from the OCM for SCU masters. A typical setting is 0xFFE0\_0000.
10. Set mpcore.SCU\_CONTROL\_REGISTER[Address\_filtering\_enable] to enable address filtering.
11. Ensure that the access has completed to the SLCR by issuing a data memory barrier (DMB) instruction. This allows subsequent accesses to rely on the new address mapping.

## 29.4.2 AXI Responses

The OCM module produces the following AXI responses:

OKAY	Generated for exclusive access transactions, indicating exclusive access failure. (OCM does not support exclusive access transactions). Also generated for all other successful transactions.
DECERR	Generated for TrustZone (TZ) violations when accessing RAM/BootROM. A TZ violation occurs when a non-secure AXI access (AxPROT[1] = 1) is attempted to a secure 4 KB region of RAM/BootROM (TZ operations occur at a 4 KB page granularity).
SLVERR	Generated for attempted access to reserved locations. SLVERR also generated for parity errors detected on RAM read access, if enabled.

# XADC Interface

---

## 30.1 Introduction

The Xilinx analog mixed signal module, referred to as the XADC, is a hard macro. It has JTAG and DRP interfaces for accessing the XADC's status and control registers in the 7-series FPGAs. Zynq-7000 AP SoC devices add a third interface, the PS-XADC interface for the PS software to control the XADC. The Zynq-7000 AP SoC devices combine a flexible analog-to-digital converter with programmable logic to address a broad range of analog data acquisition and monitoring requirements. The XADC is part of a larger analog mixed signal (AMS) topic that is a combination of analog and digital circuits.

The XADC has two 12-bit 1 mega samples per second (MSPS) ADCs with separate track and hold amplifiers, an analog multiplexer (up to 17 external analog input channels), and on-chip thermal and on-chip voltage sensors. The two ADCs can be configured to simultaneously sample two external-input analog channels. The track and hold amplifiers support a range of analog input signal types, including unipolar, bipolar, and differential. The analog inputs can support signal bandwidth of 500 KHz at sample rate of 1 MSPS. An external analog multiplexer can be used to increase the number of external channels supported without the cost of additional package pins.

The XADC optionally uses an on-chip reference circuit, thereby eliminating the need for external active components for basic on-chip monitoring of temperature and power supply rails. To achieve the full 12-bit performance of the ADCs, an external 1.25V reference IC is recommended.

The most recent measurement results (together with maximum and minimum readings) are stored in dedicated registers. User-defined alarm thresholds can automatically indicate over-temperature events and unacceptable power supply variation. A user-specified limit (for example, 100°C) can be used to initiate a software-controlled system power-down.

### Control Interfaces

Software running in the PS can communicate with the XADC in one of two ways:

- PS-XADC Interface: a 32-bit APB slave interface on the PS interconnect that is FIFO'd and serialized.
- PS to PL AXI master could also be used to control the XADC via the AXI XADC core logic.

Development tools can connect to the PL-JTAG pins and control many parts of the AP SoC including the XADC. The interface is described in [Chapter 27, JTAG and DAP Subsystem](#). The PL-JTAG interface and the internal PS-XADC interface cannot be used at the same time. The selection between the

these interfaces is controlled by the `devcfg.XADCIF_CFG[ENABLE]` bit. However, the XADC arbitrates between the selected interface (PL-JTAG or PS-XADC) and the DRP interface.

## System Considerations

For high-performance ADC applications managed by the PS, use the IP core Core Logic connected to an `M_AXI_GP` interface. This is a parallel data path. When using the PS-XADC interface, FIFOs are used for commands and read data to allow software to quickly queue-up commands without having to wait for serialization, but on the back end the data is serialized to the XADC much like the PL-JTAG interface. This is the serial datapath and is much slower.

### 30.1.1 Features

#### Analog-to-Digital Converters

- Dual 12-bit 1 MSPS analog-to-digital converters (ADCs)
- Up to 17 flexible and user-configurable analog inputs
- On-chip or external reference option
- On-chip temperature and power supply sensors
- JTAG access to ADC measurements

#### PS-XADC Interface

- Read and write XADC registers
- Serial data transfers to/from XADC
- Buffered read-write data operations
- 15-word by 32-bit command FIFO
- 15-word by 32-bit
- Read Data FIFO
- Programmable FIFO-level interrupts
- Programmable alarm interrupts
- Configured interface operations (using `devcfg` registers)

#### DRP Parallel Interface

- Highest interface bandwidth
- 16-bit sample data

#### PL-JTAG Interface

- Access the XADC when the PL is not programmed but is powered-up
- Uses the JTAG TAP controller to access the XADC registers

- Enables JTAG access to all XADC registers including ADC measurements

### 30.1.2 System Viewpoint

The XADC is implemented in hard logic and resides in the PL power domain. The PS-XADC interface is part of the PS and can be accessed by the PS APU without the PL being programmed. The PL must be powered up to configure the PS-XADC interface, use the PL-JTAG or DRP interfaces, and to operate the XADC. A system level block diagram is shown in [Figure 30-1](#).

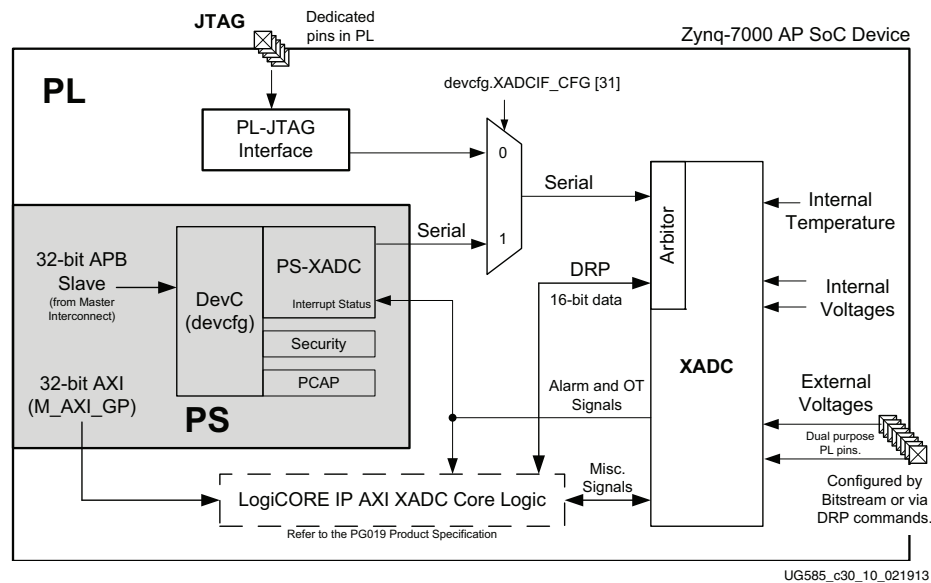


Figure 30-1: XADC Module System Viewpoint

**Note:** The XADC arbitrates between the DRP interface and either the PS-XADC or the PL-JTAG interface.

#### PS-XADC Interface

The PS-XADC interface description consumes the majority of this chapter. Software running in the PS configures the interface using the devcfg registers. Software writes commands to the interface that are pushed into the Command FIFO. These 32-bit writes, consisting of DRP command, address and data, are serialized and sent to the XADC in a loopback path that fills the returning Read Data FIFO that is read by the software.

The interface is configured by the devcfg registers, refer to [Appendix B, Register Details](#).

#### DRP Interface

The DRP interface is a parallel 16-bit bidirectional interface that can connect to a PL bus master via the LogiCORE IP AXI XADC PL logic using an AXI4-Lite interface to enable the PS or a MicroBlaze processor to control the XADC. The IP core receives 16 bits of data with each AXI4-Lite read/write transaction. The interface is described in [DS790, Product Specification](#).

The PL-AXI interface provides the highest performance. This interface uses the PL-AXI interface protocol and provides flexibility of integrating additional signal processing IPs in the data path of XADC's samples. For example, a FIR filter can be instantiated in the PL-AXI data path between the XADC and the M\_AXI\_GP interface of PS (or other logic in the PL).

## PL JTAG Interface

The JTAG interface features and functions are described in [UG480, 7 Series FPGAs and Zynq-7000 All Programmable SoC XADC Dual 12-Bit 1 MSPS Analog-to-Digital Converter User Guide](#). This interface connects to the development tools.

The Chipscope™ application can use the PL JTAG interface to read and write to the XADC status and control registers respectively.

**Note:** The PL-JTAG interface is disabled, including control by Chipscope, when the PS-XADC interface is selected.

## Alarms

The seven alarm and over temperature signals are routed to the PS-XADC interface and made available to the PL. For the PS-XADC interface, these are described in section [30.3 PS-XADC Interface Description](#). Their use by the LogiCORE IP is described in [PG091, LogiCORE IP XADC Wizard Product Guide](#).

### 30.1.3 PS-XADC Interface Block Diagram

The block diagram for the PS-XADC interface is shown in [Figure 30-2](#).

The PS-XADC interface is normally controlled by software executing in the APU. The software writes 32-bit commands and NOPs to the command FIFO. The command FIFO output is serialized by the Serial Communications Channel in 32-bit packets for the XADC.

There is a programmable idle gap (IGAP) time between packets to allow time for the XADC to load read data in response to the previous packet. For every word shift out from the command FIFO, a corresponding word is shifted in to the Read Data FIFO. In the case of a DRP read command, as it is shifted out of the command FIFO, the old content of XADC\_DRP's DR register is shifted out. After IGAP time, the result of the current DRP read is available in XADC DRP's DR register. When the next command from TXFIFO is shifted out, the result of the current read which is in the DR register, is shifted into the RDFIFO.



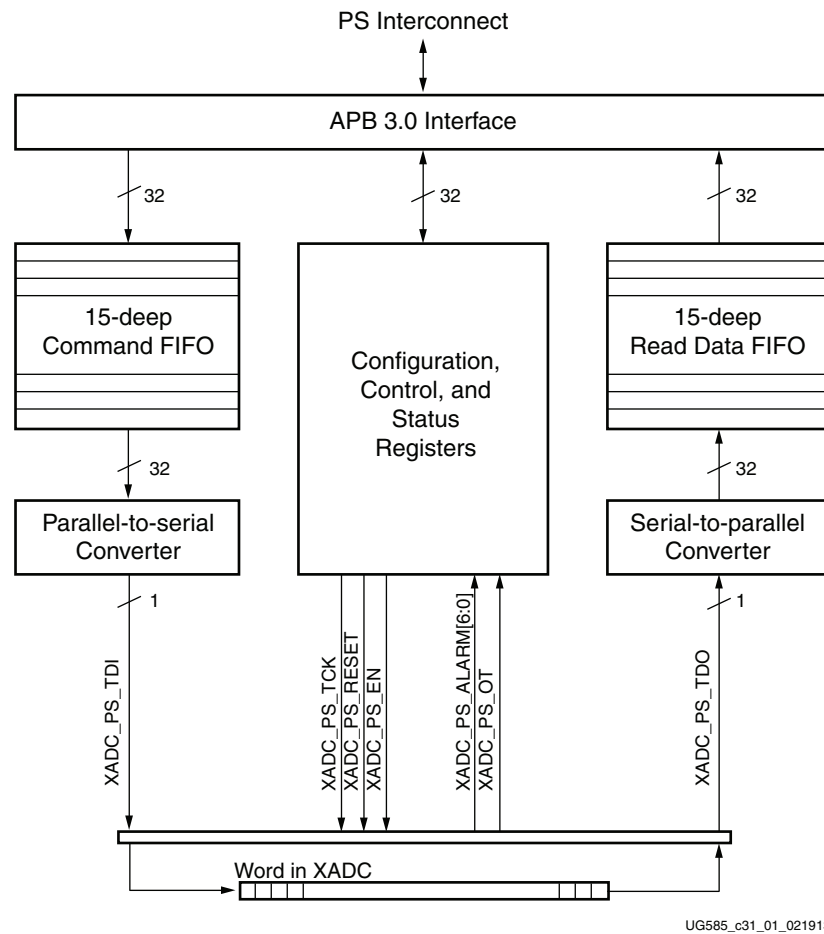


Figure 30-2: XADC PS-XADC Interface Block Diagram

### 30.1.4 Programming Guide

#### PS-XADC Interface

The programming model for the PS-XADC interface is described in [30.3 PS-XADC Interface Description](#).

#### DRP Interface

The programming model for the DRP interface is described in [UG480, 7 Series FPGAs and Zynq-7000 All Programmable SoC XADC Dual 12-Bit 1 MSPS Analog-to-Digital Converter User Guide](#). This interface can connect to the LogiCORE IP AXI XADC interface to provide an AXI4-lite interface as described in the AXI XADC Interface product specification.

#### PL-JTAG Interface

The programming model for the PL-JTAG interface is described in [UG480, 7 Series FPGAs and Zynq-7000 All Programmable SoC XADC Dual 12-Bit 1 MSPS Analog-to-Digital Converter User Guide](#).

## Notices

### 7z010 CLG225 Device

This device provides four external ADC signal pairs (differential inputs). All other Zynq-7000 devices provide 12 external ADC signal pairs. The hardware pin information is provided in [UG865, Zynq-7000 All Programmable SoC Packaging and Pinout product Specification](#).

---

## 30.2 Functional Description

The system level block diagram is shown in [Figure 30-2, page 737](#). A block diagram of the XADC is provided in [UG480, 7 Series FPGAs and Zynq-7000 All Programmable SoC XADC Dual 12-Bit 1 MSPS Analog-to-Digital Converter User Guide](#).

This section includes functionality that is common to more than one of the interfaces that can control the XADC. This content is not necessarily available in other documents:

- [30.2.1 Interface Arbiter \(PL-JTAG and PS-XADC\)](#)
- [30.2.2 Serial Communication Channel \(PL-JTAG and PS-XADC\)](#)
- [30.2.3 Analog-to-Digital Converter \(All\)](#)
- [30.2.4 Sensor Alarms \(PS-XADC and DRP\)](#)

### 30.2.1 Interface Arbiter (PL-JTAG and PS-XADC)

The XADC actively arbitrates requests between two of the three XADC interfaces. One of the interfaces is always the DRP interface that is optionally connected to the LogiCORE XADC bridge.

The interfaces that are arbitrated depend on the setting of the devcfg.XADCIF\_CFG [ENABLE] bit.

- [ENABLE] = 0: DRP and PL-JTAG (reset default)
- [ENABLE] = 1: DRP and PS-XADC

If a JTAG transaction is in progress when a DRP request occurs, the LogiCORE XADC bridge can buffer the request until the JTAG transaction is complete. The XADC asserts the JTAGBUSY signal to indicate an ongoing JTAG transaction.

A JTAG transaction can start, but the DRP transaction in progress is allowed to complete before the JTAG operation. For more details on the arbitration, refer to [UG480, 7 Series FPGAs and Zynq-7000 All Programmable SoC XADC Dual 12-Bit 1 MSPS Analog-to-Digital Converter User Guide](#).

### 30.2.2 Serial Communication Channel (PL-JTAG and PS-XADC)

The serial communication channel connects the XADC to the PS-XADC or PL-JTAG interface, depending on the devcfg.XADCIF\_CFG [ENABLE] bit setting.

The channel is a full duplex synchronous bit-serial link with dedicated control signals using a JTAG protocol. By default, after reset, the connection between the PS and XADC (PS-XADC interface) is disabled. PS software can write a 1 to the `devcfg.XADCIF_CFG [ENABLE]` bit to control the source and switch the communication channel from the PL-JTAG interface to the PS-XADC interface. When the PS-XADC interface is enabled to control the XADC, the XADC is no longer accessible by the PL-JTAG interface. The inverse is true, when XADC is accessible by PL-JTAG, it can not be accessed by the PS-XADC.

The PS-XADC interface interacts with the PS via an APB 3.0 interface on the PS interconnect. This interface is part of the DevC module and is described in section [6.4 Device Configuration Functions and Operations](#).

### 30.2.3 Analog-to-Digital Converter (All)

The functions and features of the XADC are described in [UG480, 7 Series FPGAs and Zynq-7000 All Programmable SoC XADC Dual 12-Bit 1 MSPS Analog-to-Digital Converter User Guide](#).

### 30.2.4 Sensor Alarms (PS-XADC and DRP)

The XADC can generate an alarm signal when an internal sensor measurement exceeds the value programmed into the XADC threshold register. The alarm thresholds are stored in the XADC Control registers, refer to [UG480](#) for their descriptions.

#### PS-XADC Interface

The alarm signals are routed directly from the XADC block into the PS\_XADC interface block, thus allowing alarm status to be reflected directly in the PS XADC's interface registers and enabling alarms to trigger interrupts.

Individual alarm interrupts can be disabled using the `devcfg.XADCIF_INT_MASK` register.

The alarm signals are sent to the PS-XADC Interface Status register. This register is masked and the masked interrupts are OR'd together to generate the IRQ ID #39 interrupt to the PS interrupt controller.

When an alarm goes active, it triggers a maskable interrupt. The alarm signals get latched in the PS-XADC interface `devcfg.XADCIF_INT_STS` register and it can be used to determine which alarm was activated. Writing a 1 to the active alarm bit in the `devcfg.XADCIF_INT_STS` register clears the interrupt. The unmasked status of the alarm signals can be read using the `devcfg.XADCIF_MSTS` register.

#### DRP Interface

The alarms and OT signals are available on the DRP interface. They are actively connected to and used by the LogiCORE AXI\_XADC bridge, refer to [PG019, LogiCORE IP AXI XADC Product Guide](#).

## Functional Description

When the measured value on a voltage sensor is greater than the maximum thresholds or less than the minimum threshold values, then the output alarm signal goes active. The alarm is reset (inactive) when a subsequent measurement value falls between the upper and lower threshold values.

This operation differs for the temperature sensor alarm, The temperature alarm goes active when the measured temperature exceeds the high threshold. The temperature alarm is reset (inactive) when the temperature falls below the lower threshold value.

The alarm signals are summarized in [Table 30-1](#).

Table 30-1: XADC Alarm Signals

Alarm	Description	Upper/Lower Threshold Control and Maximum/Minimum Status Registers
ALM[0]	Programmable Temperature sensor alarm	Refer to the LogiCORE User Guide sections: <ul style="list-style-type: none"> <li>• Maximum and Minimum Status Registers</li> <li>• Automatic Alarms</li> </ul>
ALM[1]	V <sub>CCINT</sub> sensor alarm (PL internal voltage)	
ALM[2]	V <sub>CCAUX</sub> sensor alarm (PL auxiliary voltage)	
ALM[3]	V <sub>CCBRAM</sub> sensor alarm (PL BRAM voltage)	
ALM[4]	V <sub>CCPINT</sub> sensor alarm (PS internal voltage)	
ALM[5]	V <sub>CCPAUX</sub> sensor alarm (PS auxiliary voltage)	
ALM[6]	V <sub>CCO_DDR</sub> sensor alarm (PS DDR I/O voltage)	
OT	Over-temperature Alarm	

## 30.3 PS-XADC Interface Description

The main function of the PS-XADC interface is to serialize commands written by software before sending them to the XADC, and to perform a serial-to-parallel conversion when serial data is received from the XADC for the software to read.

### 30.3.1 Serial Channel Clock Frequency

The serial communications channel between the PS-XADC interface and the XADC should not be clocked faster than 50 MHz. The serial clock is derived from the PCAP clock generated by the PS clock subsystem (refer to [Chapter 25, Clocks](#)). This clock has a nominal frequency of 200 MHz. A configurable clock divider is controlled by the devcfg.XADCIF\_CFG [TCLK\_RATE] bit field to reduce the PCAP clock frequency to no more than 50 MHz.

$$\text{XADC serial clock} = \text{PCAP clock} / [\text{TCLK\_RATE}]$$

The XADC serial clock drives the DCLK that is described in the LogiCORE User Guide.

### 30.3.2 Command and Data Packets

The PS-XADC interface buffers the 32-bit reads and writes to minimize the effects of the slow serial transfer process on PS system throughput. The PS-XADC interface buffers up to 15 commands. Each command is serialized and communicated to the XADC. For every command that is written to the PS-XADC interface, a data word is received in the Read Data FIFO. The Read Data FIFO can store 15 data words. Up to 15 commands at a time to be written and up to 15 read data words can be in FIFOs. After a read command has been written, the corresponding read data is available after the next command is serialized to the XADC, see [Figure 30-3](#). Therefore, if the last command in CMD FIFO is a read command, one additional NOP command is always needed to push out the last read data.

The XADC commands are listed in the LogiCORE user guide and in [UG480, 7 Series FPGAs and Zynq-7000 All Programmable SoC XADC Dual 12-Bit 1 MSPS Analog-to-Digital Converter User Guide](#).

All control commands, read requests, write requests, and NOPs shift data into the Read Data FIFO that can be read using the devcfg.XADCIF\_RDIFIFO register. The software controlling the PS-XADC interface should account for this and should read and discard data not generated by a read command. XADC read data is 32-bits but only the 16 LSBs of the 32-bit word contain ADC data.

#### PS-XADC Event Timing

- Command register write
- Serialized to XADC (control and data)
- Programmable idle gap width, devcfg.XADCIF\_CFG [IGAP]

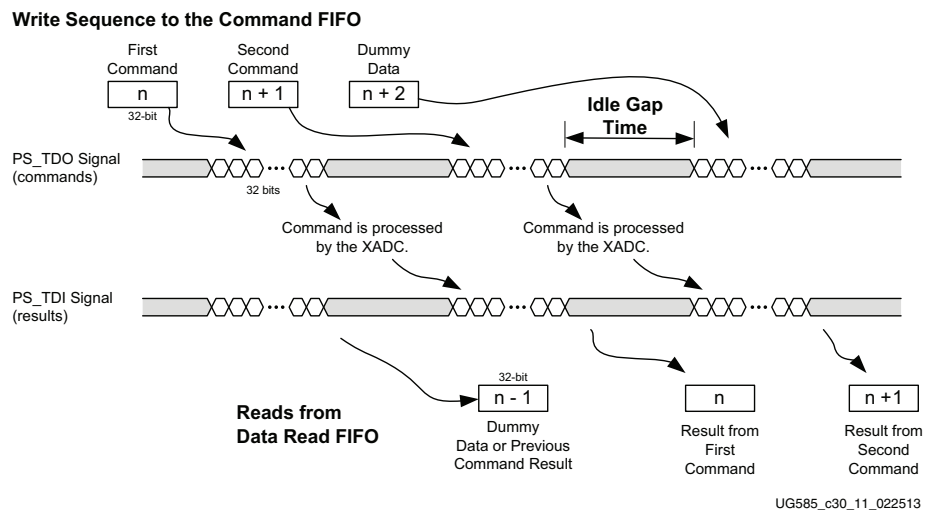


Figure 30-3: XADC PS-XADC Interface Event Timing Diagram

The status of the command and Read Data FIFOs can be monitored using the devcfg.XADCIF\_MSTS Interface Miscellaneous Status register. Software can also setup interrupts using the devcfg.XADCIF\_INT\_STS Interrupt Status register.

**Note:** Reading from an empty Read Data FIFO causes an APB slave bus error.

One packet remains in the XADC when the Command FIFO is emptied. To retrieve the packet, write a dummy command.

### 30.3.3 Command Format

Figure 30-4 shows the data format of the PS-XADC interface commands. The first 16 LSBs of the XADCIF\_CMD\_FIFO contain the DRP register data. For both read and write operations, the address bits, XADCIF\_CMD\_FIFO [25:16], hold the DRP target register address. The command bits, XADCIF\_CMD\_FIFO [29:26], specify a read, write, or no operation (see Table 30-2).

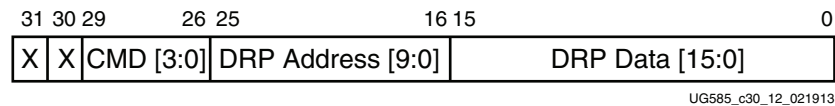


Figure 30-4: PS-XADC Interface Command Register

Table 30-2: PS-XADC Interface DRP Command Format

CMD [3:0]				Operation
0	0	0	0	No operation
0	0	0	1	DRP read
0	0	1	0	DRP Write
Others				Not defined

#### DPR Address and DRP Data

The full list of XADC DRP registers and instructions on how to configure them can be found in the [UG480, 7 Series FPGAs and Zynq-7000 All Programmable SoC XADC Dual 12-Bit 1 MSPS Analog-to-Digital Converter User Guide](#).

### 30.3.4 Read Data Format

The XADC data is returned in the lower 16 bits of the devcfg.XADCIF\_RDFIFO register read. The interpretation of the DRP data can be found in the UG480 LogiCORE User Guide.

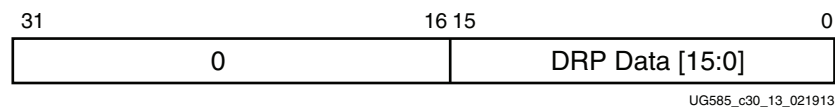


Figure 30-5: PS-XADC Interface Read Data Format

### 30.3.5 Min/Max Voltage Thresholds

The XADC tracks the minimum and maximum values recorded for the internal supply sensors since the last power-up or the last reset of the XADC control logic. The maximum and minimum values recorded are stored in the DRP Status registers. On power-up or after reset, all Minimum registers are set to `FFFFh` and all Maximum registers are set to `0000h`. Each new measurement generated for an on-chip sensor is compared to the contents of its Maximum and Minimum register. If the measured value is greater than the contents of its Maximum register, the measured value is written to the Maximum register. Similarly, for the Minimum register, if the measured value is less than the contents of its Minimum register, the measured value is written to the Minimum register. This check is carried out each time a measurement result is written to the Status register.

### 30.3.6 Critical Over-temperature Alarm

**Note:** This feature sends an interrupt status to the PS and causes an automatic shutdown feature for the PL side of the Zynq-7000 device if enabled. The PL shutdown is enabled via the bitstream and the PL will only come out of power-down if the over-temperature alarm goes inactive or a reconfiguration occurs.

The on-chip temperature measurement is used for critical temperature warnings. The default *over temperature* threshold is 125°C. This threshold is used when the contents of the OT Upper Alarm register (listed in UG480) have not been configured. When the die temperature exceeds the threshold set in the XADC's Control register, the over-temperature alarm (OT) becomes active. The OT signal resets when the die temperature has fallen below set threshold.

The OT alarm can also be used to automatically power down the PL upon activation. The OT alarm can be disabled by writing a 1 to the OT bit in the XADC's Configuration register.

**Note:** these registers are in the XADC and are accessible using the DRP.

The XADC OT alarm signal is sent to the PS via the dedicated PS-XADC interface. When the OT alarm goes active it triggers a maskable interrupt. The OT bit of the XADCIF\_INT\_STS register needs to be cleared by writing a 1 to the bit location. The real time value of the OT alarm signal can be found on the XADCIF\_MSTS register.

---

## 30.4 Programming Guide for the PS-XADC Interface

The following sequence describes how to configure and interact with the PS-XADC interface to read an internal VCC auxiliary PS voltage ( $V_{CCPAUX}$ ) and raise an Alarm interrupt when  $V_{CCPAUX}$  value does not fall between higher and lower thresholds. The PS-XADC interface specifies commands to be sent in a specific format as described in section 30.3.3 [Command Format](#). Refer to detailed examples in section 30.4.3 [Command Preparation](#).

### Example: Initialization of XADC via the PS-XADC Interface

This example resets the communications channel and the XADC. It also flushes the FIFOs; leaving a NOOP (dummy) word in the XADC.

1. **Reset the serial communication channel.** Write a 1 and then a 0 to devcfg.XADCIF\_MCTL [RESET].
2. **Reset the XADC.** Write any 16-bit value to DRP address 0x03 (reset register). Write 08030000h to the devcfg.XADCIF\_CMDFIFO register.
3. **Flush the FIFOs.** There is no reset signal, instead write 15 NOOPs to the FIFO:
  - a. Wait for the Command FIFO to empty. The last command should be a NOOP (dummy write).
  - b. Read the Read Data FIFO until empty.

### Example: Start-up Sequence via the PS-XADC Interface

This example sets various interface parameters and includes steps for interrupts and data transfers. It assumes the interface and the XADC are already initialized.

1. **Configure the PS-XADC interface:** Program the configuration register. Write 80001114h into the devcfg.XADCIF\_CFG register:
  - a. Use default Minimum idle gap, [IGAP] = 14h (20 serial clocks).
  - b. Use default XADC serial clock frequency to 1/4 of PCAP clock frequency, [TCKRATE] = 01.
  - c. Use default FIFO serial read capture edge (rising), [REDGE] = 1.
  - d. Use default FIFO serial write launch edge (falling), [WEDGE] = 0.
  - e. Use default Read Data FIFO threshold level, [DFIFOTH] = 0x0.
  - f. Use default Command FIFO threshold level, [CFIFOTH] = 0.
  - g. Enable the PS access of XADC. Write 0x1 to devcfg.XADCIF\_CFG [ENABLE].
2. **Configure the interrupts:** Interrupts are used to manage the alarms from the XADC and Command/Read Data FIFOs. Refer to the program example in section [30.5.3 Interrupts](#).
3. **Data transfers to the XADC:** Refer to section [30.5.2 Read and Write FIFOs](#).

## 30.4.1 Read and Write to the FIFOs

This example configures the devcfg.XADCIF\_CFG register for the FIFOs and communications channel. This register controls the command and Read Data FIFO thresholds, the clock rate of the XADC\_PS\_TCK, the clocking edges for the serial bus and the idle gap between serial packets.

After power on Command and Read Data FIFOs of the PS-XADC interface are empty, but must be flushed after an XADC interface reset. Commands for writing to or reading from XADC registers are sent to the XADC using the Command FIFO, and data returned from the XADC is collected in the Read Data FIFO.

### Example: Write Command to the XADC

This example writes to the XADC  $V_{CCPAUX}$  Alarm Upper threshold register.

1. **Prepare command.** Prepare the command as described in section [30.4.3 Command Preparation](#) for writing to the XADC  $V_{CCPAUX}$  Alarm Upper threshold register (0x5A) with required threshold.
2. **Fill the Command FIFO with data.** Write the data formatted in step 1 to the devcfg.XADCIF\_CMDFIFO register.



3. **Wait until the Command FIFO becomes empty.** Wait until `devcfg.XADCIF_MSTS [CFIFOE] = 1`.

**Note:** For every write to the `devcfg.XADCIF_CMDFIFO` register, data is shifted into the `devcfg.XADCIF_RDFIFO` register (Read Data FIFO).

#### Example: Read the $V_{CCPAUX}$ value from the XADC

This example reads the current  $V_{CCPAUX}$  value from the XADC  $V_{CCPAUX}$  status register.

1. **Prepare command.** Prepare the command as described in section 30.4.3 [Command Preparation](#) for reading the XADC  $V_{CCPAUX}$  Status register (`0x0E`).
2. **Write data to Command FIFO.** Write data formatted in step 1 to the `devcfg.XADCIF_CMDFIFO` register.
3. **Wait until the Command FIFO becomes empty.** Wait until `devcfg.XADCIF_MSTS [CFIFOE] = 1`.
4. **Read dummy data from the Read Data FIFO.** Read the `devcfg.XADCIF_RDFIFO` register.
5. **Format data.** Prepare Command for No operation as described in 30.4.3 [Command Preparation](#).
6. **Write data to the Command FIFO.** Write the formatted data in step 5 to the `devcfg.XADCIF_CMDFIFO` register.
7. **Read the Read Data FIFO.** Read the `devcfg.XADCIF_RDFIFO` register.

**Note:** After a read command has been sent to the XADC, the corresponding read data will be available during the next shift period. Therefore, one dummy command write (as shown in step 5) is always needed to push out the last read data.

## 30.4.2 Interrupts

#### Example: Configure and Manage Alarm 5 ( $V_{CCPAUX}$ )

This example configures the XADC registers to set alarm thresholds, operating mode, and enables the Alarm 5 ( $V_{CCPAUX}$ ) interrupt in the PS-XADC interface. The XADC hard macro has to be operated in Independent mode because alarms are not enabled in Default mode (refer to the XADC Operating Modes section of [UG480, 7 Series FPGAs and Zynq-7000 All Programmable SoC XADC Dual 12-Bit 1 MSPS Analog-to-Digital Converter User Guide](#)).

1. **Prepare commands.** Prepare commands as described in section 30.4.3 [Command Preparation](#) for writing to the XADC hard macro alarm threshold registers ( $V_{CCPAUX}$  Upper-`0x5A` and  $V_{CCPAUX}$  Lower-`0x5E`) with the required thresholds and XADC `Config_Reg1 (0x41)` to set the XADC in Independent mode.
2. **Write commands to the Command FIFO.** Write the commands prepared in step 1 to the `devcfg.XADCIF_CMDFIFO` register.
3. **Enable the Alarm 5 interrupt in the PS-XADC interface.** Write `devcfg.XADCIF_INT_MASK [M_ALM] = 7Eh`.
4. **Check if Alarm 5 is triggered.** Poll for `devcfg.XADCIF_INT_STS [M_ALM] = 1`.
5. **Clear the Alarm 5 interrupt.** Write `devcfg.XADCIF_INT_STS [M_ALM] = 1`.
6. **Disable the Alarm 0 interrupt.** Write `devcfg.XADCIF_INT_MASK [M_ALM] = 7Fh`

### 30.4.3 Command Preparation

#### Example: Prepare Data for Writing to the XADC Register

This example formats data for writing to XADC Configuration Register 1 to set the XADC in Independent mode. Refer to [Table 30-2, page 742](#).

1. **DRP data.** Data to set the XADC in independent mode is 8000h. Refer to the XADC Register Interface section of [UG480](#).
2. **DRP address.** The address of the XADC Configuration Register 1 is 0x41.
3. **Write command.** The command for a write operation is 0010b.

The command to write 8000h in XADC Configuration Register 1 (0x41) is 08418000h.

#### Example: Prepare Data for Reading from the XADC Register

This example formats data for reading the XADC V<sub>CCPAUX</sub> Status register, 0x0E.

1. **DRP data.** Data can be any arbitrary data for the read operation (0).
2. **DRP address.** The address of the XADC V<sub>CCPAUX</sub> Status register is 0x0E.
3. **Write command.** The command for a read operation is 0001b.

The command to read the XADC V<sub>CCPAUX</sub> Status register, 0x0E, is 040E0000h.

### 30.4.4 Register Overview

An overview of the PS-XADC Interface control registers is shown in [Table 30-3](#). Register bit details are provided in [Appendix B, Register Details](#). Refer to the XADC Register Interface section of UG480 LogiCORE User Guide for register details of the XADC.

**Note:** After power-up (refer to the Zynq-7000 AP SoC data sheet for the proper voltage sequencing), PS-to-PL voltage shifters are automatically enabled. The PL must be powered-up to access the PS-XADC interface registers, but the PL does not need to be configured to access the registers.

[Table 30-3](#) shows an overview of XADC Interface registers.

Table 30-3: Register Overview

Function	Mnemonic	Description	Type
Configuration	devcfg.XADCIF_CFG	Configuration: Enable, FIFO threshold, frequency ratio, and launch edge.	Read/Write
	devcfg.XADCIF_MCTL	XADC Interface Misc. Control register	Read/Write
Interrupts	devcfg.XADCIF_INT_STS	XADC Interface Interrupt Status register	Read, Write 1 to clear
	devcfg.XADCIF_INT_MASK	XADC Interface Interrupt Mask register	Read/Write
	devcfg.XADCIF_MSTS	XADC Interface Misc. Status register	Read

Table 30-3: Register Overview (Cont'd)

Function	Mnemonic	Description	Type
Command and Read Data FIFOs	devcfg.XADCIF_CMDFIFO	XADC Interface Command FIFO	Write
	devcfg.XADCIF_RDFIFO	XADC Interface Read Data FIFO	Read

## 30.5 Programming Guide for the DRP Interface

The XADC can also be accessed by instantiating a LogiCORE AXI XADC bridge in the PL. This method provides more powerful features and easy access to all XADC registers and signals using a register read/write programming model for microprocessors.

## 30.6 Programming Guide for the PL-JTAG Interface

The PS-XADC interface commands are similar to the JTAG DRP commands. Refer to the JTAG DRP commands shown in [UG480, 7 Series FPGAs and Zynq-7000 All Programmable SoC XADC Dual 12-Bit 1 MSPS Analog-to-Digital Converter User Guide](#).

**Note:** PL-JTAG cannot access the XADC if the PS-XADC interface is accessing the XADC (i.e., devcfg.XADCIF\_CFG [ENABLE] = 1).

## 30.7 System Functions

### 30.7.1 Clocks

Clocking is determined by the interface choice.

#### PS-XADC Interface Clocks

1. The PS-XADC interface uses FIFOs to cross between the PS system clock and the XADCIF clock.
2. PS system interface clock is the CPU\_1x clock.
3. The XADCIF clock frequency is the PCAP clock / [TCLKRATE].
  - a. The XADCIF clock maximum frequency is 50 MHz.
  - b. The PCAP clock frequency is nominally 200 MHz.
  - c. The [TCLKRATE] bit: divide 2, 4 (default), 8, or 16.

See [Chapter 25, Clocks](#) for more information about the PS clocks.

### DRP Interface Clocks

The PL-AXI interface is a soft core instantiated within the PL and uses a clock from one of the PL's PLLs.

### PL-JTAG Interface Clocks

PL-JTAG uses the JTAG port to interface with the XADC and uses the JTAG clock, TCK.

## 30.7.2 Resets

There are several resets in the XADC module.

### PS-XADC Interface Reset

The PS-XADC interface and its serial communication channel to the XADC are reset using `devcfg.XADCIF_MCTL [RESET]`.

**Note:** The PS-XADC FIFOs are not cleared by the interface reset.

### XADC Reset

The XADC is reset by writing to the reset register using a DRP address of `03h`. Write `0x08030000` to the `devcfg.XADCIF_CMDFIFO` register. The data that is included is ignored by the XADC.

# PCI Express

---

## 31.1 Introduction

The Zynq-7z030, Zynq-7z045, and Zynq-7z100 AP SoC devices include the Xilinx 7 series Integrated block for PCI Express core which is a reliable, high-bandwidth, third-generation I/O solution.

The PCI Express solution for these Zynq AP SoC devices supports x1, x2, x4, and x8 lane Root Port and Endpoint configurations at both Gen1 (2.5 Gb/s) and Gen2 (5 Gb/s) speeds. Attention must be paid to system level bandwidth if full Gen 2 – x8 throughput is needed. This might include either inline processing of the data in PL before storing it to the PS DDR memory or using a wider DDR3 memory interface in the PL. The Root Port configuration can be used to build a Root Complex solution. These configurations are compatible with the PCI Express Base Specification, Rev 2.1.

The PCI Express module supports the AXI4-stream interface for the user interface at both 64-bit and 128-bit widths.

For more detailed information regarding the 7 Series FPGAs Integrated block for PCI Express core, refer to these documents on the Xilinx website:

- [DS821](#), *LogiCORE IP 7 Series FPGAs Integrated Block for PCI Express Data Sheet*
- [UG477](#), *LogiCORE IP 7 Series FPGAs Integrated Block for PCI Express User Guide*

## 31.2 Block Diagram

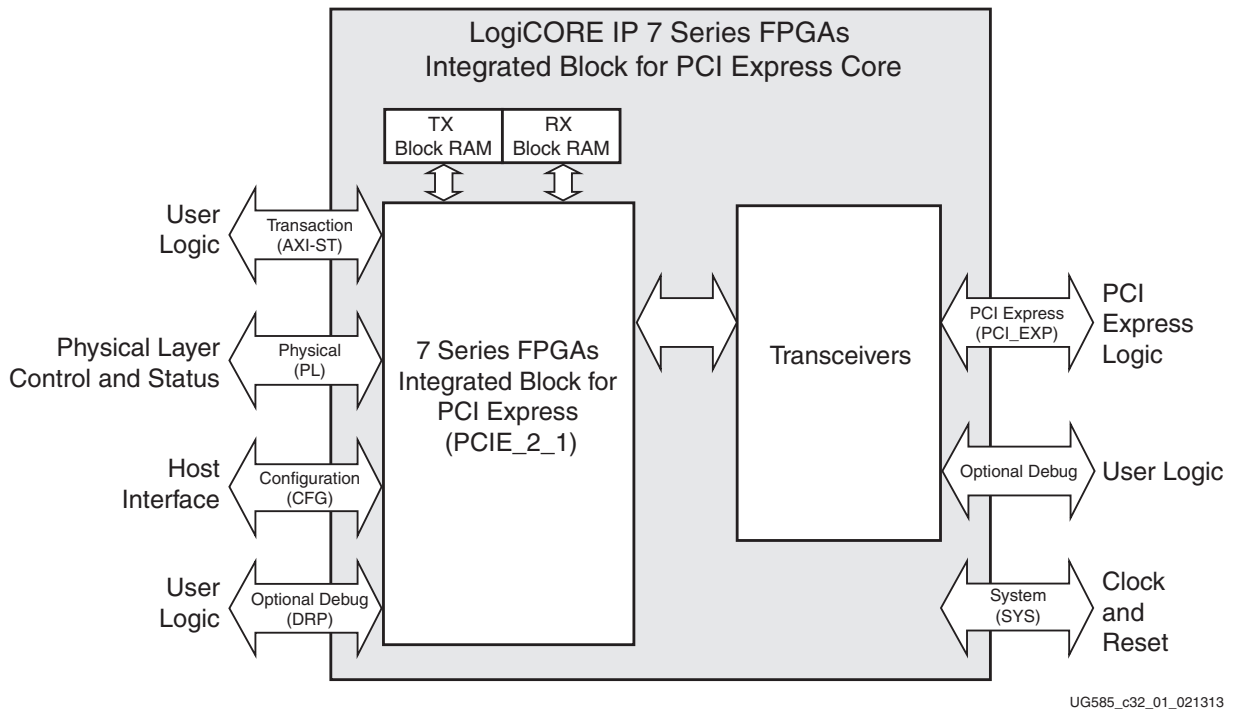


Figure 31-1: PCI Express Block Diagram

For additional information regarding the different interfaces to the Integrated block for PCI Express core, refer to Chapter 2: Core Overview of [UG477](#), *7 Series FPGAs Integrated Block for PCI Express User Guide*.

## 31.3 Features

The PCI Express core provides these key features:

- High-performance, highly flexible, scalable, and reliable, general-purpose I/O core
  - Compatible with the PCI Express Base Specification, rev. 2.1
  - Compatible with conventional PCI software model
- Incorporates Xilinx® Smart-IP™ technology to guarantee critical timing
- Uses GTXE2 transceivers for 7 Series FPGA families
  - 2.5 Gb/s and 5.0 Gb/s line speed
  - Supports 1-lane, 2-lane, 4-lane, and 8-lane operation
  - Elastic buffers and clock compensation
  - Automatic clock data recovery

- Supports Endpoint and Root Port configurations
- 8B/10B encode and decode
- Supports lane reversal and lane polarity inversion per PCI Express specification requirements
- Standardized user interface
  - Supports AXI4-stream interface
  - Easy-to-use packet-based protocol
  - Full-duplex communication
  - Back-to-back transactions enable greater link bandwidth utilization
  - Supports flow control of data and discontinuation of an in-process transaction in transmit direction
- Supports flow control of data in receive direction
- Compatible with PCI/PCI Express power management functions
- Supports a maximum transaction payload of up to 1,024 bytes
- Supports multi-vector MSI for up to 32 vectors and MSI-X
- Up-configure capability enables application-driven bandwidth scalability
- Compatible with PCI Express transaction ordering rules

---

## 31.4 Endpoint Use Case

For an example of a Zynq Endpoint use case, refer to [UG963](#), *ZC706 PCIe Targeted Reference Design User Guide*.

---

## 31.5 Root Complex Use Case

A Zynq PCIe Root Complex design can be implemented in a number of different ways. Figure 31-2 shows an example of a basic design using the AXI PCIe bridge described in [PG055](#), *LogiCORE IP AXI Bridge for PCI Express*.

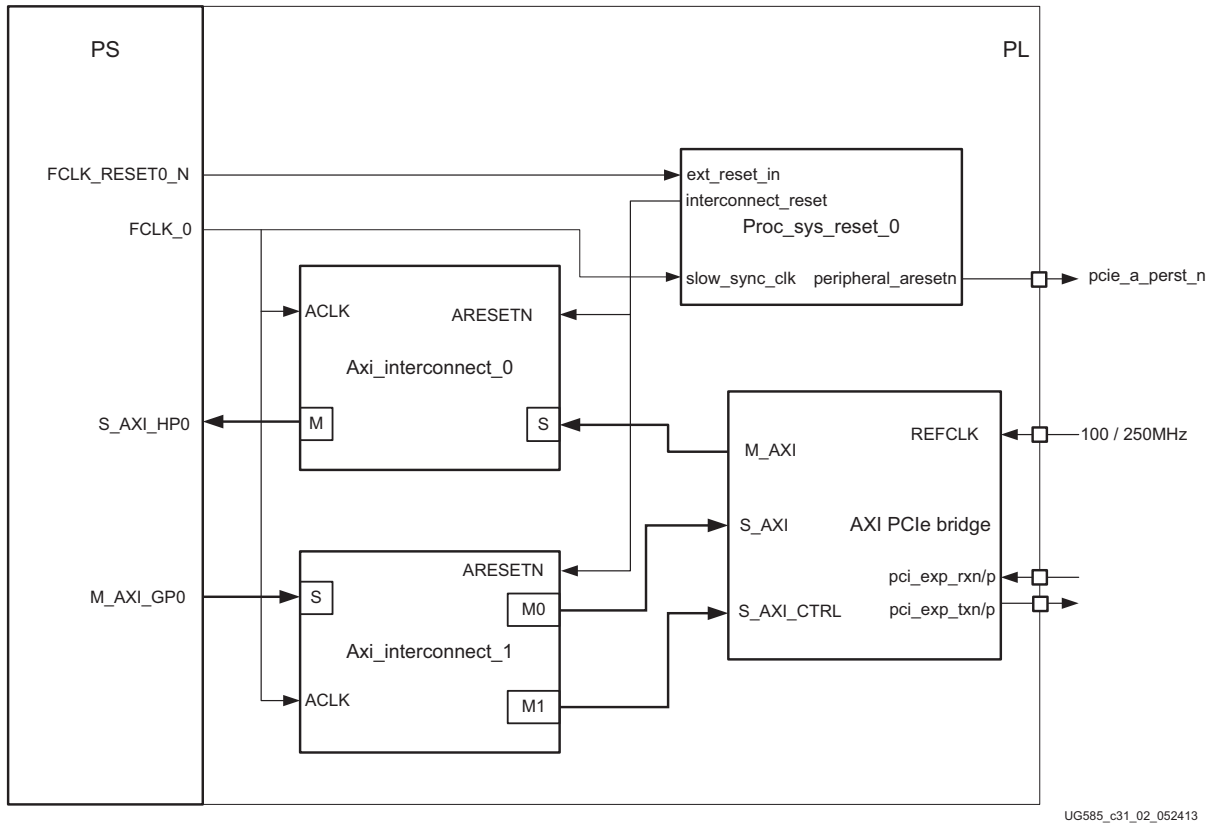


Figure 31-2: Example Zynq PCIe Root Complex

**Note:** The AXI PCIe bridge master and slave ports are connected to separate AXI interconnects to avoid potential deadlock scenarios.

The compiled Linux kernel already has the required AXI PCIe bridge driver enabled, so no additional configuration is needed. Software drivers for the connected endpoint device might need to be installed.

For information on building the Linux kernel for Zynq, refer to the [Xilinx Zynq Linux Wiki](http://www.xilinx.com).



# Device Secure Boot

---

## 32.1 Introduction

Zynq-7000 AP SoC devices support the ability to perform a secure boot to load authenticated and encrypted PS images and PL bitstreams.

### 32.1.1 Block Diagram

[Figure 32-1](#) is a block diagram showing the different systems involved in a secure boot.

### 32.1.2 Features

Zynq-7000 AP SoC devices provide the following secure boot features:

- Advanced Encryption Standard
  - AES-CBC with 256-bit key (FIPS197)
  - Encryption key stored on-chip in either eFuse or Battery-backed RAM (BBRAM)
- Keyed-hashed message authentication code (HMAC, FIPS198-1)
  - SHA-256 authentication engine (FIPS180-4)
- RSA public key authentication (FIPS186-3)
  - 2048-bit public key

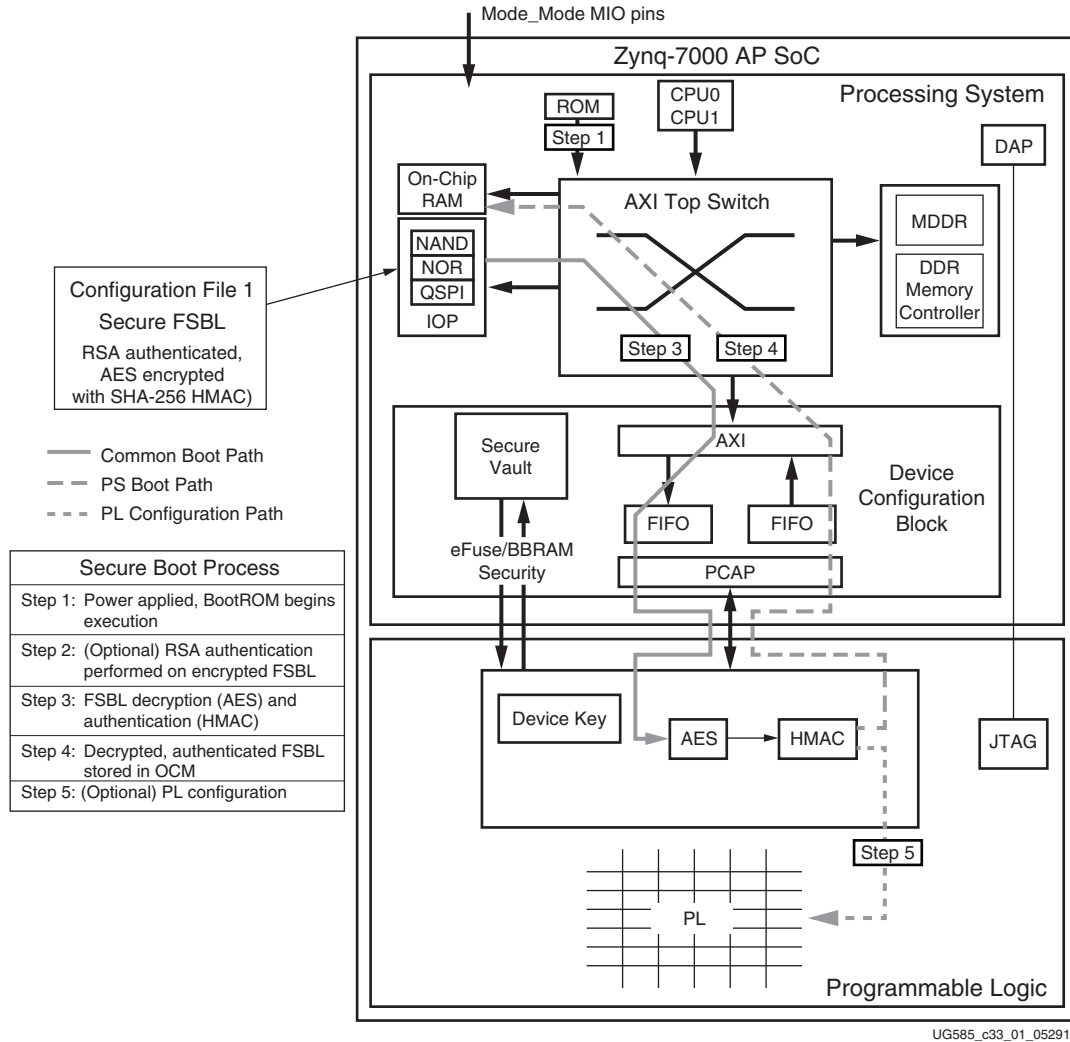


Figure 32-1: Secure Boot Block Diagram

A device secure boot involves several systems contained within the AP SoC device. The secure boot process is always initiated by the BootROM. If RSA authentication has been enabled the BootROM will use the public key to authenticate the first stage boot loader (FSBL) before it is decrypted or executed. If the boot image header indicates a secure boot, the BootROM enables the AES and HMAC engines which reside in the PL. The encrypted FSBL is then sent by the BootROM to the AES and HMAC, a hardened core within the PL, via the processor configuration access port (PCAP). The FSBL image is decrypted and sent back to the PS via the PCAP where it is loaded into the on-chip RAM (OCM) for execution. The PS is then able to securely configure the PL by sending an encrypted bitstream through the PCAP to the AES/HMAC for decryption, authentication, and distribution to the PL memory cells.

## 32.2 Functional Description

### 32.2.1 Master Secure Boot

Master secure boot is the only secure boot mode supported in Zynq-7000 AP SoC devices. It uses the hardened AES decryption engine and the hardened HMAC authentication engine within the PL to decrypt PS images and PL bitstreams. If RSA authentication is enabled, the BootROM authenticates the encrypted FSBL using the public key prior to decryption (see [Table 32-3](#)). The boot process for the master secure boot mode is shown in [Figure 32-2](#).



**IMPORTANT:** *The master secure boot mode uses the AES decryption and HMAC authentication engines within the PL, therefore the PL must be powered on during the secure boot process. The BootROM ensures that the PL is powered before reading the encrypted image from the external boot device. It is the user's responsibility to ensure that the PL is powered on before trying to decrypt any new configuration files.*

#### Power on Reset

After the power-on and reset sequences have completed, the on-chip BootROM begins to execute. An optional eFuse setting can be used to perform a full 128 KB CRC on the BootROM for a small boot time penalty (around 25 ms at default boot settings). After the integrity check the BootROM reads the boot mode setting specified by the bootstrap pins. The BootROM then reads the boot header from the specified external memory.

#### RSA Authentication Performed on FSBL

If RSA authentication is enabled the BootROM loads the boot image header and the FSBL into the first 192 KB of the OCM. Next the public key is loaded from the boot image (see section [32.2.3 Secure Boot Image](#)) and validated by calculating a SHA-256 signature and comparing it to the hash value stored in eFuse. If the values match, the BootROM calculates the signature for the FSBL and authenticates it with the public key. If the public key signature does not match the hash value stored in eFuse or the authentication fails on the FSBL, the BootROM performs a fallback and searches for a new FSBL if the boot device is NAND, NOR, or QSPI. If the fallback fails or the boot device is SD, the BootROM enters either an error state and enables JTAG or enters a secure lockdown if the boot image was encrypted. If the authentication of the FSBL passes, the BootROM continues the boot process. For more details see section [32.2.5 RSA Authentication](#).

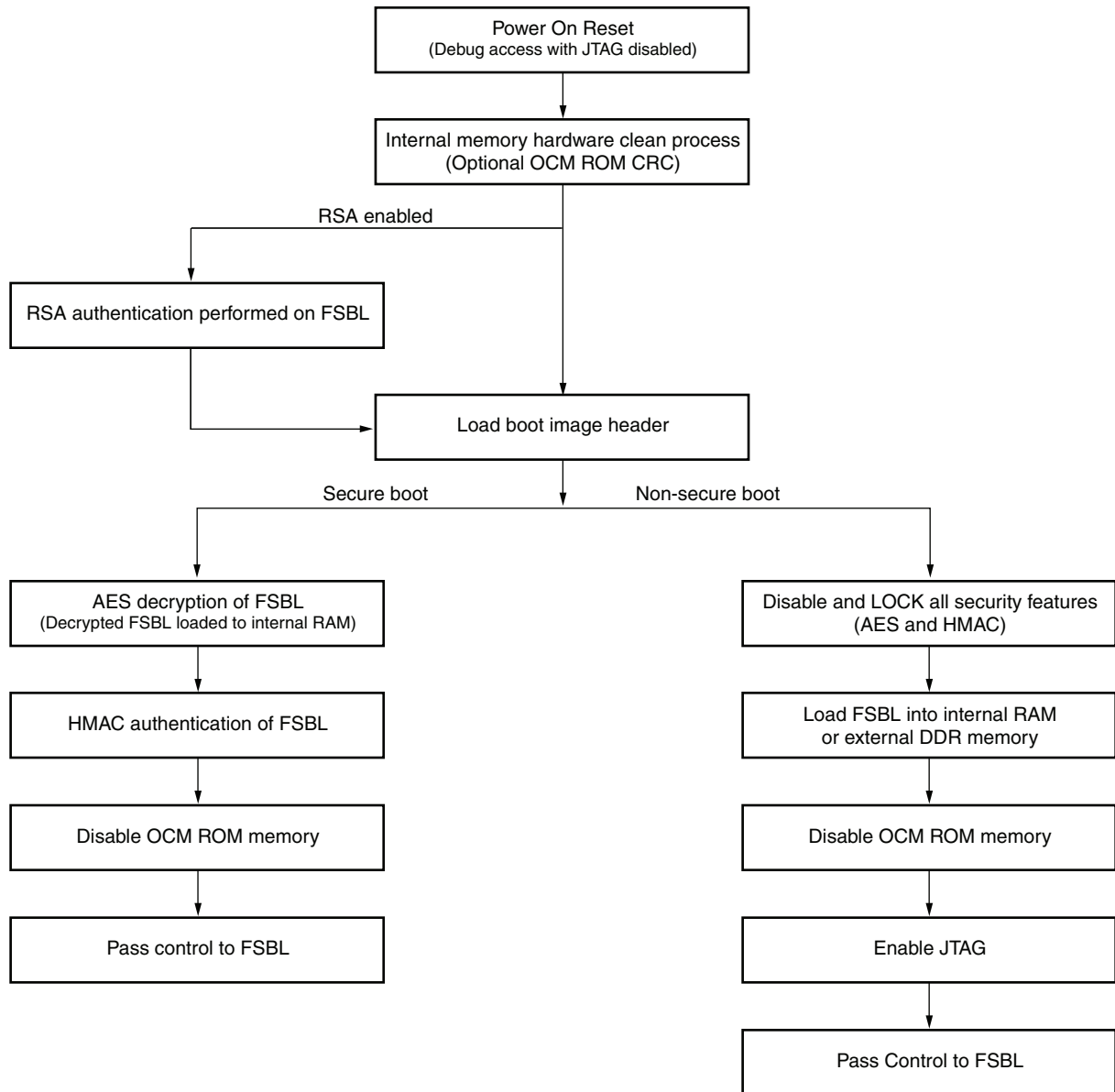
#### Secure FSBL Decryption

If a secure boot is specified in the boot image header, the BootROM starts by checking the power-on status of the PL. Since the AES and HMAC engines reside within the PL, the PL must be powered up to perform a secure boot. The BootROM waits until the PL is powered up before continuing the secure boot sequence. After the power-on status of the PL is confirmed, the BootROM begins to load the encrypted FSBL into the AES engine via the PCAP. The PL sends the decrypted FSBL back to the PS via the PCAP. The decrypted image is then loaded into the OCM. The BootROM also monitors the HMAC

authentication status of the FSBL and if an authentication error occurs, the BootROM puts the PS into a secure lockdown state.

### Handoff to FSBL

Once the FSBL has been successfully loaded and authenticated, control is turned over to the decrypted FSBL which now resides in the OCM. Based on the user application, the FSBL could then start processing, configure the PL, load additional software, or wait for further instruction from an external source.



UG585\_c33\_02\_052913

Figure 32-2: PS Boot Flow

## 32.2.2 External Boot Devices

Secure boot mode is restricted to NOR, NAND, SDIO, or Quad-SPI flash as the external boot device. A secure boot from JTAG or any other external interface is not allowed.

## 32.2.3 Secure Boot Image

The secure boot image format is shown in [Figure 32-3](#). The secure boot image consists of a boot image header (required), a FSBL partition (required), a FSBL RSA authentication certificate (optional), and any number, including zero, of succeeding partitions.

### Boot Image Header

The boot image header identifies the image as secure or non-secure at offset 0x028. The value stored in the boot header at offset 0x028 determines the AES key source (see [Table 32-1](#)). More information regarding the boot image header can be found in [Chapter 6, Boot and Configuration](#).

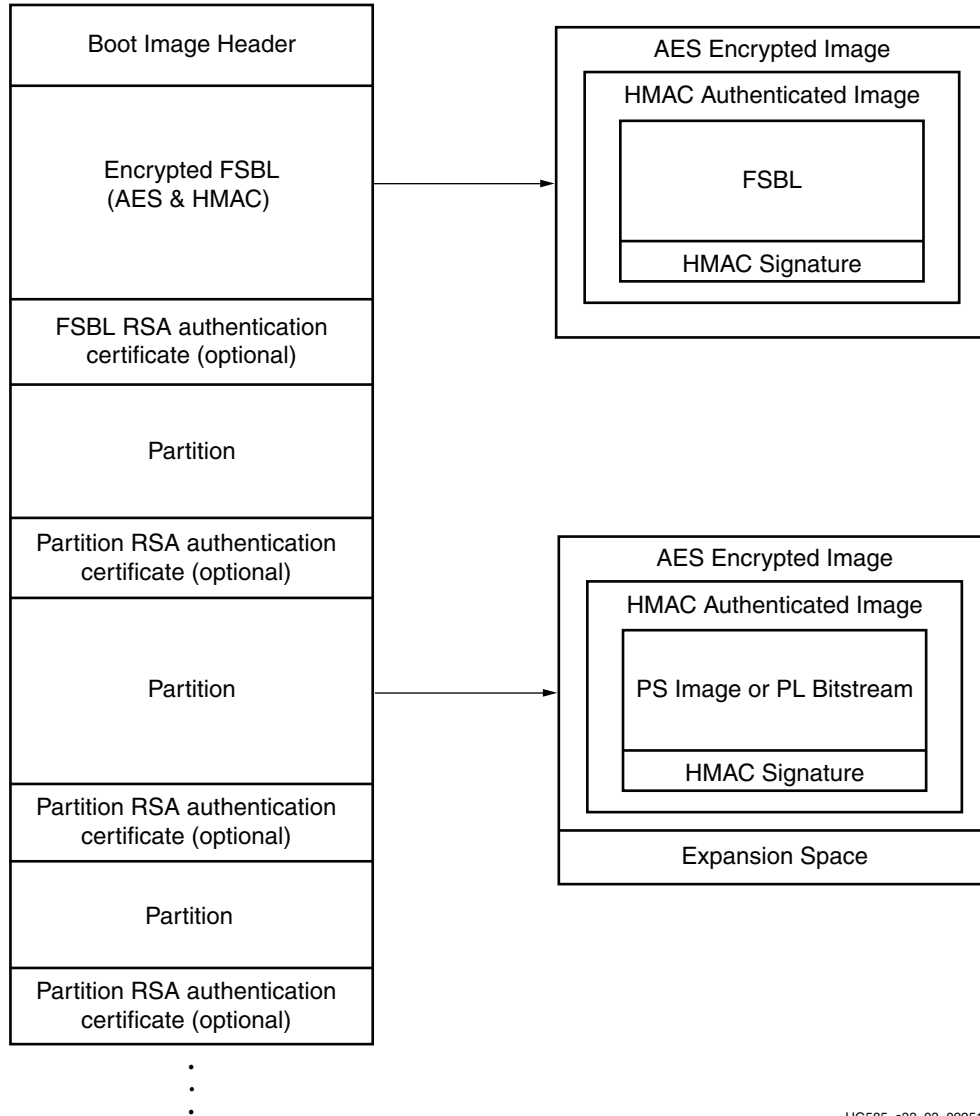
Table 32-1: BootROM Header Summary

BootROM Header Value at 0x028	Description
0xA5C3C5A3	Encrypted image using eFuse key
0x3A5C3C5A	Encrypted image using BBRAM key
All others	Non-encrypted image

The boot image header is not encrypted.

### Partition Data

Partition data is signed and encrypted. The partition data is decrypted and authenticated by the AES and HMAC engines within the PL.

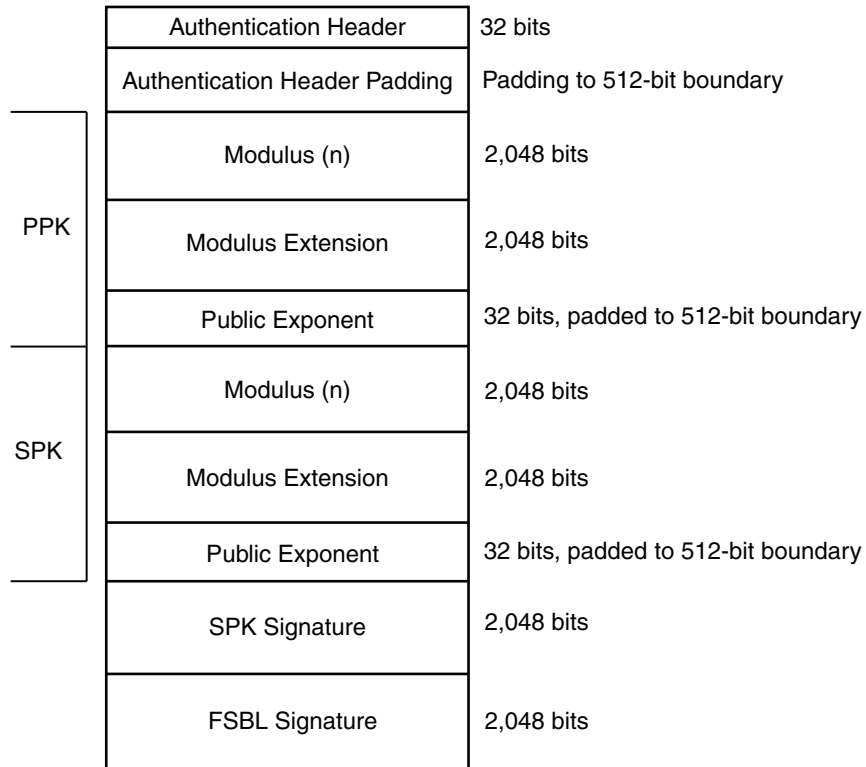


UG585\_c33\_03\_022513

Figure 32-3: Secure Boot Image Format

### RSA Authentication Certificate Format

The RSA authentication certificate consists of three major components; the authentication header, the PPK and SPK, and the SPK and FSBL signatures (see Figure 32-4). The authentication header is 32-bits with the following value 0x00000101, padded to a 512-bit boundary. Each public key consists of three parts, a 2,048-bit modulus, a 2,048-bit modulus extension to speed up calculations, and a 32-bit public exponent which gets padded to 512 bits. The other component is the 2,048-bit SPK and FSBL signatures. Since SHA-256 is used as the secure hash algorithm, the FSBL, partition, and authentication certificates must be padded to a 512-bit boundary.



UG585\_c33\_04\_022513

Figure 32-4: RSA Authentication Certificate Format

## 32.2.4 eFuse Settings

### PL eFUSE Settings

The secure boot features can also be controlled via three PL eFuse bits that are described in [Table 32-2](#). (See [UG470](#), *7 Series FPGAs Configuration User Guide* for more information regarding PL eFuse.)

Table 32-2: PL eFuse Settings Summary

eFuse	Description
XSK_EFUSEPL_FORCE_USE_AES_ONLY	<b>eFuse Secure Boot.</b> The AP SoC device must boot securely and use the eFuse key as the AES key source. Non-secure boot of the device is not allowed. If the boot image header does not match this setting, a security lockdown occurs. This eFuse is located in the PL and referred to as CFG_AES_Only in UG470.

Table 32-2: PL eFuse Settings Summary (Cont'd)

eFuse	Description
XSK_EFUSEPL_BBRAM_KEY_DISABLE	<b>BBRAM Key Disable.</b> If the AP SoC device is booted in secure mode, then the eFuse key must be selected. Non-secure boot of the device is allowed. If the boot image header does not match this setting, a security lockdown occurs.
XSK_EFUSEPL_DISABLE_JTAG_CHAIN	<b>JTAG Chain Disable.</b> The ARM DAP and PL TAP are permanently disabled. Any attempt to activate the ARM DAP or the PL TAP controllers causes a security lockdown.

## PS eFUSE Settings

The PS also has an eFuse array. The primary purpose is to store the memory built in self repair information and the RSA public key hash. The PS eFuse also has a number of fuses that can be used to control the security boot flow of the device. (see [Table 32-3](#)). More information regarding programming of the PS eFuses can be found in [UG643, OS and Libraries Document Collection](#), and in UG996 (available in the user install area of the software).

Table 32-3: PS eFuse Setting Summary

eFuse	Description
eFuse Write Protection (2 fuses)	Blow both of these fuses to permanently disable all writes to the PS eFuse array.
OCM ROM 128KB CRC Enable	Enables a full 128 KB CRC on the ROM prior to loading the FSBL.
RSA Authentication Enable	Enables RSA authentication for NAND, NOR, SD, or QSPI.
DFT JTAG Disable	The ARM DAP and PL TAP are disabled when the device is booted in DFT mode, any attempt to activate the ARM DAP or the PL TAP causes a security lockdown.
DFT Mode Disable	The DFT boot mode is permanently disabled. Booting in DFT mode immediately triggers a security lockdown.
RSA PPK Hash (310 fuses)	SHA-256 signature for the RSA primary public key including extra ECC bits.

### 32.2.5 RSA Authentication

The BootROM has the ability to authenticate a secure FSBL prior to decryption or a non-secure FSBL prior to execution using RSA public key authentication. This feature is enabled by blowing the RSA Authentication Enable fuse in the PS eFuse array.

When RSA authentication is enabled, the BootROM starts by loading the FSBL into the OCM. Then the Primary Public Key (PPK) is loaded and a SHA-256 signature is calculated. This calculated signature is compared to the PPK Hash value stored in the PS eFuse. If the PPK signature matches the PPK Hash value, then the boot continues. The BootROM then loads the Secondary Public Key (SPK) from the boot image and the SPK signature. The SPK is authenticated using the PPK. Failure to authenticate the PPK or SPK triggers a fallback mode by the BootROM. If a new FSBL is not found, the device enters a secure lockdown.



Once the SPK has been authenticated, the BootROM calculates the SHA-256 hash value for the FSBL stored in OCM. The FSBL is authenticated using the SPK. If the authentication passes, a secure FSBL is then decrypted using the AES or a non-secure FSBL will start execution.

### 32.2.6 Boot Image and Bitstream Encryption

Boot images are assembled and encrypted using software provided by Xilinx, `bootgen`. A FSBL and any additional PS images or PL bitstreams along with the encryption key and authentication signature must be supplied to `bootgen`. The correct headers are generated automatically when `bootgen` builds the boot image.

### 32.2.7 Boot Image and Bitstream Decryption and Authentication

For PS image and PL bitstream decryption, Xilinx uses the advanced encryption standard (AES) in cipher block chaining (CBC) mode with a 256-bit key. PS images and PL bitstreams are authenticated with a keyed-hashed message authentication code (HMAC) using the SHA-256 hash algorithm. When the BootROM detects that the FSBL image is encrypted, it enables the decryption and authentication engines within the PL. Both are enabled or disabled in tandem and cannot be separated.

Subsequent PS images do not have to be encrypted. Once an encrypted FSBL has been loaded, it is “trusted” and can then load a non-encrypted second stage boot loader or application directly to OCM. Loading of non-encrypted PS images after a secure boot is not recommended and should only be done after fully evaluating the system-level security.

### 32.2.8 HMAC Signature

HMAC authentication is performed whenever the AES is used. When creating an encrypted boot image, the HMAC key must be provided to the `bootgen` software. The HMAC key and signature are then encrypted with the boot file. Unlike the AES key, the HMAC key and signature are part of the encrypted image. During the on-chip decryption process, the HMAC signature is extracted from the image and used by the authentication algorithm. No on-chip storage for the HMAC key is required.

### 32.2.9 AES Key Management

The AES encryption key is stored on-chip within the PL. It can be loaded into either volatile battery-backed RAM (BBRAM) or in non-volatile eFuse storage. The keys are loaded into the PL via the JTAG interface. (See [UG470, 7 Series FPGAs Configuration User Guide](#) for more information.)

## 32.3 Secure Boot Features

### 32.3.1 Non-Secure Boot State

The non-secure state is entered when the BootROM detects that the FSBL is not encrypted. In this state the AES decryption and HMAC authentication engines are disabled and locked requiring a power-on reset (POR) to re-enable. RSA authentication is still available in non-secure boots. All subsequent PS images, PL configuration bitstreams, and PL partial re-configuration bitstreams must be non-encrypted.

There is no mechanism to move from the non-secure state to the secure state, aside from power-on reset. Any attempt to load encrypted data after non-encrypted data results in a security violation and security lockdown.

### 32.3.2 Secure Boot State

The Zynq AP SoC always powers up in the secure state, only switching to the non-secure state when the BootROM detects that the FSBL is not encrypted. In the secure state the encrypted FSBL is loaded into the PS. The first configuration bitstream loaded into the PL must also be encrypted.

Since the encrypted FSBL loaded in a secure boot is “trusted”, it is possible to load additional non-encrypted PS images. PL partial re-configuration bitstreams can be loaded via the PCAP or ICAP interfaces as encrypted or non-encrypted. Subsequent PS images or PL bitstreams must use the same key source as the FSBL, key switching is not allowed. Loading of non-encrypted images or bitstreams after a secure boot is not recommended.

### 32.3.3 Security Lockdown

The PS's device configuration interface contains a security policy block that is used to monitor the system security. When conflicting status is detected either from the PS or the PL that could indicate inconsistent system configuration or tampering, a security lockdown is triggered. In a security lockdown the on-chip RAM is cleared along with all the system caches. The PL is reset and the PS enters a lockdown mode that can only be cleared by issuing a power-on reset. The following conditions cause a security lockdown:

- Non-secure boot specified in the boot image header and secure boot only eFuse is set
- Enabling the JTAG chain or the ARM DAP with the JTAG chain disable eFuse set
- SEU error tracking has been enabled in the PS and the PL reports an SEU error
- A discrepancy in the redundant AES enable logic
- Software sets the FORCE\_RST bit of the Device Configuration Control register

### 32.3.4 Boot Partition Search

The BootROM supports the capability to fall-back and reload a different FSBL if there is a problem with the initial FSBL. In a secure boot, this feature is only supported if the RSA authentication fails, regardless of the encryption status of the FSBL. The new FSBL being loaded must also be signed. If the decryption or HMAC authentication of the FSBL fails, then the device enters secure lockdown. See section [6.3.9 Boot Header Search](#) for more information.

### 32.3.5 JTAG and Debug Considerations

Whenever the BootROM is running, the PS DAP and the PL TAP controllers are disabled, eliminating any JTAG access to the AP SoC device.

In non-secure boot modes JTAG access is restored once the BootROM has completed execution.

In secure boot modes JTAG access can be restored by the FSBL or subsequent PS images as these applications are considered *trusted*. Access to the DAP enable registers can be locked out using the Device Configuration Interface LOCK register.

The PS DAP and PL TAP controllers can be permanently disabled using the JTAG CHAIN DISABLE eFuse. The JTAG access to the PL can also be disabled by setting the DISABLE\_JTAG configuration option when creating the PL bitstream. (see [UG628, Command Line Tools User Guide](#) for more information.)

### 32.3.6 Readback

Whenever an encrypted bitstream is loaded into the PL, readback of the internal configuration memory cannot be performed by any of the external interfaces, including JTAG. The only readback access to the configuration memory after an encrypted bitstream load is via PCAP or ICAP. The PCAP and ICAP interfaces are *trusted* channels since access to these interfaces are from an authenticated PS image or an authenticated PL bitstream.

### 32.3.7 Secure Boot Modes of Operation

Zynq RSA authentication and AES encryption features can be used in a number of combinations to deliver a flexible secure boot solution. [Table 32-4](#) through [Table 32-6](#) show the possible authentication and encryption options available for a Zynq secure boot. The following two points must be taken into consideration when using secure boot:

1. The FSBL must be encrypted if any other PS images or PL bitstreams are required to be encrypted.
2. The BootROM only provides authentication for the FSBL. If any other PS images or PL bitstreams require authentication, the RSA algorithm must be provided as user software.

Table 32-4: RSA Authentication Options in Non-secure Mode

	BootROM RSA	User SW RSA	AES / HMAC
FSBL	Yes	No	No
PL Bitstream	No	User Option	No
u-Boot	No	User Option	No
Linux	No	User Option	No
Applications	No	User Option	No

Table 32-5: Secure Boot Options without RSA Authentication Enabled

	BootROM RSA	User SW RSA	AES / HMAC
FSBL	No	No	Yes
PL Bitstream	No	User Option	User Option
u-Boot	No	User Option	User Option
Linux	No	User Option	User Option
Applications	No	User Option	User Option

Table 32-6: Secure Boot Options with RSA Authentication Enabled

	BootROM RSA	User SW RSA	AES / HMAC
FSBL	Yes	No	Yes
PL Bitstream	No	User Option	User Option
u-Boot	No	User Option	User Option
Linux	No	User Option	User Option
Applications	No	User Option	User Option

## 32.4 Programming Considerations

Although most of the secure boot process is handled by the BootROM, it is possible to decrypt PS images or PL bitstreams after the initial boot. To decrypt secure images the PL must be powered on. The PL is powered on and ready to accept new encrypted data if the PCFG\_INIT bit of the Device Configuration Interface (DevC) Status register is set.

To send encrypted data to the PL for decryption, the PCAP\_MODE and PCAP\_PR bits of the DevC Control register must be set to 1. Because the AES engine decrypts data one byte at a time, the QUARTER\_PCAP\_RATE\_EN bit on the DevC Control register must also be set to 1.

To disable the AES and HMAC engines, the three PCFG\_AES\_EN bits of the DevC Control register must be set to 0. All three bits must be set with the same register write or a security violation occurs, resulting in a security lockdown of the device. Once the AES and HMAC engines have been disabled, they cannot be enabled again without a power-on-reset.

# Additional Resources

---

## A.1 Xilinx Resources

### Product Support and Documentation

- For support resources such as Answers, Documentation, Downloads, and Forums, see the [Xilinx Support website](#).
- For continual updates, add the Answer Record to your [myAlerts](#).
- For definitions and terms, see the [Xilinx Glossary](#).

### Device User Guides

<http://www.xilinx.com/support/index.htm>

### Zynq-7000 AP SoC Product Page

<http://www.xilinx.com/products/silicon-devices/soc/zynq-7000/index.htm>

### Xilinx Design Tools: Release Notes, Installation, and Licensing

[http://www.xilinx.com/support/index.html/content/xilinx/en/supportNav/design\\_tools.html](http://www.xilinx.com/support/index.html/content/xilinx/en/supportNav/design_tools.html)

### Xilinx Forums and Wiki Links

- <http://forums.xilinx.com>
- <http://wiki.xilinx.com>
- <http://wiki.xilinx.com/zynq-linux>
- <http://wiki.xilinx.com/zynq-uboot>

### Xilinx git Websites

<https://github.com/xilinx>

---

## A.2 Solution Centers

See the [Xilinx Solution Centers](#) for support on devices, software tools, and intellectual property at all stages of the design cycle. Topics include design assistance, advisories, and troubleshooting tips.

---

## A.3 References

### A.3.1 Zynq-7000 AP SoC Documents

Refer to the following Zynq-7000 AP SoC documents for further reference:

- DS190, *Zynq-7000 AP SoC Product Overview*
- DS187, *Zynq-7000 AP SoC (7z010 and 7z020): AC and DC Switching Characteristics Data Sheet*
- DS191, *Zynq-7000 AP SoC (7z030, 7z045, and 7z100): AC and DC Switching Characteristics Data Sheet*
- UG865, *Zynq-7000 AP SoC Packaging and Pinout Specifications*
- UG821, *Zynq-7000 AP SoC Software Developers Guide*
- UG933, *Zynq-7000 AP SoC PCB Design and Pin Planning Guide*

These user guides and additional relevant information can be found on the Xilinx Zynq-7000 AP SoC product page:

[http://www.xilinx.com/support/index.html/content/xilinx/en/supportNav/silicon\\_devices/soc/zynq-7000.html](http://www.xilinx.com/support/index.html/content/xilinx/en/supportNav/silicon_devices/soc/zynq-7000.html)

### A.3.2 PL Documents – Device and Boards

To learn more about the PL resources, refer to the following 7 Series FPGA User Guides:

- DS821, *Xilinx LogiCORE IP 7 Series FPGAs Integrated Block for PCI Express Product Specification*
- UG471, *Xilinx 7 Series FPGAs SelectIO Resources User Guide*
- UG472, *Xilinx 7 Series FPGAs Clocking Resources User Guide*
- UG473, *Xilinx 7 Series FPGAs Memory Resources User Guide*
- UG474, *Xilinx 7 Series FPGAs Configurable Logic Block User Guide*
- UG476, *Xilinx 7 Series FPGAs GTX Transceiver User Guide*
- UG477, *Xilinx 7 Series FPGAs Integrated Block v1.3 for PCI Express User Guide*
- UG479, *Xilinx 7 Series FPGAs DSP48E1 User Guide*
- UG480, *Xilinx 7 Series FPGAs XADC User Guide*
- UG483, *Xilinx 7-Series FPGAs PCB and Pin Planning Guide*

These user guides and additional relevant information can be found on the Xilinx 7 Series product page:

[http://www.xilinx.com/support/index.html/content/xilinx/en/supportNav/silicon\\_devices/fpga/n7-series.html](http://www.xilinx.com/support/index.html/content/xilinx/en/supportNav/silicon_devices/fpga/n7-series.html)

### A.3.3 Advanced eXtensible Interface (AXI) Documents

Refer to [UG761](#), *AXI Reference Guide* for further reference on the AXI protocol.

### A.3.4 Software Documents

[UG821](#), *Zynq-7000 All Programmable SoC Software Developers Guide*

[UG873](#), *Zynq-7000 All Programmable SoC: Concepts, Tools, and Techniques (CTT)*

The source drivers for stand alone and FSBL are provided as part of the Xilinx IDE Design Suite Embedded Edition. The Linux drivers are provided via the Xilinx Open Source Wiki at:

<http://wiki.xilinx.com>

Xilinx Alliance Program partners provide system software solutions for IP, middleware, operation systems, etc. For the latest information refer to the Zynq-7000 landing page at:

<http://www.xilinx.com/products/silicon-devices/soc/zynq-7000>

### A.3.5 git Information

- <http://git-scm.com>
- <http://git-scm.com/documentation>
- <http://git-scm.com/download>

### A.3.6 Design Tool Documents

#### Xilinx Vivado Design Suite

[http://www.xilinx.com/support/index.html/content/xilinx/en/supportNav/design\\_tools.html](http://www.xilinx.com/support/index.html/content/xilinx/en/supportNav/design_tools.html)

#### Xilinx ISE Design Suite

[http://www.xilinx.com/support/index.html/content/xilinx/en/supportNav/design\\_tools/ise\\_design\\_suite.html](http://www.xilinx.com/support/index.html/content/xilinx/en/supportNav/design_tools/ise_design_suite.html)

## Xilinx Embedded Development Kit (EDK)

[http://www.xilinx.com/support/index.html/content/xilinx/en/supportNav/design\\_tools/embedded\\_development\\_kit\\_edk.html](http://www.xilinx.com/support/index.html/content/xilinx/en/supportNav/design_tools/embedded_development_kit_edk.html)

## ChipScope Pro Documentation

[http://www.xilinx.com/support/index.html/content/xilinx/en/supportNav/design\\_tools/chipscope\\_pro.html](http://www.xilinx.com/support/index.html/content/xilinx/en/supportNav/design_tools/chipscope_pro.html)

## A.3.7 Xilinx Problem Solvers

<http://www.xilinx.com/support/troubleshoot.htm>

## A.3.8 Third-Party IP and Standards Documents

To learn about functional details related to vendor IP cores contained in Zynq-7000 devices or related international interface standards, refer the following documents:

**Note:** ARM documents can be found at: <http://infocenter.arm.com/help/index.jsp>

- *ARM AMBA Level 2 Cache Controller (L2C-310) TRM* (also called PL310)
- *ARM AMBA Specification Revision 2.0, 1999* (IHI 0011A)
- *ARM Architecture Reference Manual* (Need to register with ARM)
- *ARM Cortex-A Series Programmer's Guide*
- *ARM Cortex-A9 Technical Reference Manual, Revision r3p0*
- *ARM Cortex-A9 MPCore Technical Reference Manual, Revision r3p0* (DDI0407F) – includes descriptions for accelerator coherency port (ACP), CPU private timers and watchdog timers (AWDT), event bus, general interrupt controller (GIC), and snoop control unit (SCU)
- *ARM Cortex-A9 NEON Media Processing Engine Technical Reference Manual, Revision r3p0*
- *ARM Cortex-A9 Floating-Point Unit Technical Reference Manual, Revision r3p0*
- *ARM CoreSight v1.0 Architecture Specification* – includes descriptions for ATB Bus, and Authentication
- *ARM CoreSight Program Flow Trace Architecture Specification*
- *ARM Debug Interface v5.1 Architecture Specification*
- *ARM Debug Interface v5.1 Architecture Specification Supplement*
- *ARM CoreSight Components TRM* – includes descriptions for embedded cross trigger (ECT), embedded trace buffer (ETB), instrumentation trace macrocell (ITM), debug access port (DAP), and trace port interface unit (TPIU)
- *ARM CoreSight PTM-A9 TRM*
- *ARM CoreSight Trace Memory Controller Technical Reference Manual*
- *ARM Generic Interrupt Controller v1.0 Architecture Specification* (IHI 0048B)
- *ARM Generic Interrupt Controller PL390 Technical Reference Manual* (DDI0416B)



- *ARM PrimeCell DMA Controller (PL330) Technical Reference Manual*
- *ARM Application Note 239: Example programs for CoreLink DMA Controller DMA-330*
- *ARM PrimeCell Static Memory Controller (PL350 series) Technical Reference Manual, Revision r2p1, 12 October 2007 (ARM DDI 0380G)*
- *BOSCH, CAN Specification Version 2.0 PART A and PART B, 1991*
- *Cadence, Watchdog Timer (SWDT) Specification*
- *IEEE 802.3-2008 - IEEE Standard for Information technology-Specific requirements - Part 3: Carrier Sense Multiple Access with Collision Detection (CSMA/CD) Access Method and Physical Layer Specifications, 2008*
- *Universal Serial Bus (USB) Specification, Revision 2.0*
- *UTMI+ Low Pin Interface (ULPI) Specification, Revision 1.1*
- *Enhanced Host Controller Interface (EHCI) Specification for USB, Revision 1.0*
- *SD Association, Part A2 SD Host Controller Standard Specification Ver2.00 Final 070130*
- *SD Association, Part E1 SDIO Specification Ver2.00 Final 070130*
- *SD Group, Part 1 Physical Layer Specification Ver2.00 Final 060509*

# Register Details

---

## B.1 Overview

This appendix provides details of all the memory-mapped registers in the Zynq®-7000 AP SoC.

Throughout this manual, the names of registers and register bit fields used match those given in the hardware. They are called the hardware names. C header files are delivered with this product which define register and bit field names for easy use in software code. In some cases, the software names are different from the hardware names. This appendix includes software names where they differ from hardware names:

- **Software Module Name:** This is included in the module introduction section and is named *Software Name*.
- **Software Register Name:** This is included in the detailed register description and is also named *Software Name*.
- **Software Bit field Name:** These are included in the register bit field tables in the *Field Name* column. These names follow the hardware field name and are contained in parentheses.

**Note:** If a software name does not exist in the C header files or if it exists but is the same as the hardware name, it is not included in this appendix and the above fields are not present.

The software register name will be:

`<software module name>_<software register name>_<optional suffix>`. One common suffix used for register names is "OFFSET", which would give the OFFSET address of that register from the base address for the module.

The software bit field name will be:

`<software module name>_<software register name>_<software bit field name>_<optional suffix>`. One common suffix used for bit field names is "MASK", which would be useful when extracting the bit field of interest from the full register.

## B.2 Acronyms

The following acronyms are used for many of the registers.

Access Type	Description
clonrd	Readable, clears value on read
clonwr	Readable, clears value on write
nsnsro	During non-secure access, if thread is non-secure, it is read only
nsnsrw	During non-secure access, if thread is non-secure, it is read write
nsnswo	During non-secure access, if thread is non-secure, it is write only
nssraz	During non-secure access, if thread is secure, it is read as zero
raz	Read as zero
ro	Read-only
rud	Read undefined
rw	Normal read/write
rws0	Read/write, set only
sro	During secure access, it is read only
srw	During secure access, it is read write
swo	During secure access, it is write only
waz	Write as zero
wo	Write-only
wtc	Readable, write a one to clear
z	Access (read or write) as zero

## B.3 Module Summary

Module Name	Module Type	Base Address	Description
axi_hp0	<a href="#">axi_hp</a>	0xF8008000	AXI_HP Interface (AFI), Interface 0
axi_hp1	<a href="#">axi_hp</a>	0xF8009000	AXI_HP Interface (AFI), Interface 1
axi_hp2	<a href="#">axi_hp</a>	0xF800A000	AXI_HP Interface (AFI), Interface 2
axi_hp3	<a href="#">axi_hp</a>	0xF800B000	AXI_HP Interface (AFI), Interface 3
can0	<a href="#">can</a>	0xE0008000	Controller Area Network
can1	<a href="#">can</a>	0xE0009000	Controller Area Network
ddrc	<a href="#">ddrc</a>	0xF8006000	DDR memory controller
debug_cpu_cti0	<a href="#">cti</a>	0xF8898000	Cross Trigger Interface, CPU 0
debug_cpu_cti1	<a href="#">cti</a>	0xF8899000	Cross Trigger Interface, CPU 1
debug_cpu_pmu0	<a href="#">cortexa9_pmu</a>	0xF8891000	Cortex A9 Performance Monitoring Unit, CPU 0
debug_cpu_pmu1	<a href="#">cortexa9_pmu</a>	0xF8893000	Cortex A9 Performance Monitoring Unit, CPU 1
debug_cpu_ptm0	<a href="#">ptm</a>	0xF889C000	CoreSight PTM-A9, CPU 0
debug_cpu_ptm1	<a href="#">ptm</a>	0xF889D000	CoreSight PTM-A9, CPU 1
debug_cti_etb_tpiu	<a href="#">cti</a>	0xF8802000	Cross Trigger Interface, ETB and TPIU
debug_cti_ftm	<a href="#">cti</a>	0xF8809000	Cross Trigger Interface, FTM
debug_dap_rom	<a href="#">dap</a>	0xF8800000	Debug Access Port ROM Table
debug_etb	<a href="#">etb</a>	0xF8801000	Embedded Trace Buffer
debug_ftm	<a href="#">ftm</a>	0xF880B000	Fabric Trace Macrocell
debug_funnel	<a href="#">funnel</a>	0xF8804000	CoreSight Trace Funnel
debug_itm	<a href="#">itm</a>	0xF8805000	Instrumentation Trace Macrocell
debug_tpiu	<a href="#">tpiu</a>	0xF8803000	Trace Port Interface Unit
devcfg	<a href="#">devcfg</a>	0xF8007000	Device configuraion Interface
dmac0_ns	<a href="#">dmac</a>	0xF8004000	Direct Memory Access Controller, PL330, Non-Secure Mode
dmac0_s	<a href="#">dmac</a>	0xF8003000	Direct Memory Access Controller, PL330, Secure Mode
gem0	<a href="#">GEM</a>	0xE000B000	Gigabit Ethernet Controller

Module Name	Module Type	Base Address	Description
gem1	<a href="#">GEM</a>	0xE000C000	Gigabit Ethernet Controller
gpio	<a href="#">gpio</a>	0xE000A000	General Purpose Input / Output
gpv_qos301_cpu	<a href="#">qos301</a>	0xF8946000	AMBA Network Interconnect Advanced Quality of Service (QoS-301), CPU-to-DDR
gpv_qos301_dmac	<a href="#">qos301</a>	0xF8947000	AMBA Network Interconnect Advanced Quality of Service (QoS-301), DMAC
gpv_qos301_iou	<a href="#">qos301</a>	0xF8948000	AMBA Network Interconnect Advanced Quality of Service (QoS-301), IOU
gpv_trustzone	<a href="#">nic301_addr_region_ctrl_registers</a>	0xF8900000	AMBA NIC301 TrustZone.
i2c0	<a href="#">IIC</a>	0xE0004000	Inter Integrated Circuit (I2C)
i2c1	<a href="#">IIC</a>	0xE0005000	Inter Integrated Circuit (I2C)
l2cache	<a href="#">L2Cpl310</a>	0xF8F02000	L2 cache PL310
mpcore	<a href="#">mpcore</a>	0xF8F00000	Mpcore - SCU, Interrupt controller, Counters and Timers
ocm	<a href="#">ocm</a>	0xF800C000	On-Chip Memory Registers
qspi	<a href="#">qspi</a>	0xE000D000	LQSPI module Registers
sd0	<a href="#">sdio</a>	0xE0100000	SD2.0/ SDIO2.0/ MMC3.31 AHB Host ControllerRegisters
sd1	<a href="#">sdio</a>	0xE0101000	SD2.0/ SDIO2.0/ MMC3.31 AHB Host ControllerRegisters
slcr	<a href="#">slcr</a>	0xF8000000	System Level Control Registers
smcc	<a href="#">pl353</a>	0xE000E000	Shared memory controller
spi0	<a href="#">SPI</a>	0xE0006000	Serial Peripheral Interface
spi1	<a href="#">SPI</a>	0xE0007000	Serial Peripheral Interface
swdt	<a href="#">swdt</a>	0xF8005000	System Watchdog Timer Registers
ttc0	<a href="#">ttc</a>	0xF8001000	Triple Timer Counter
ttc1	<a href="#">ttc</a>	0xF8002000	Triple Timer Counter
uart0	<a href="#">UART</a>	0xE0000000	Universal Asynchronous Receiver Transmitter
uart1	<a href="#">UART</a>	0xE0001000	Universal Asynchronous Receiver Transmitter
usb0	<a href="#">usb</a>	0xE0002000	USB controller registers
usb1	<a href="#">usb</a>	0xE0003000	USB controller registers

50 modules, 2038 registers.

## B.4 AXI\_HP Interface (AFI) (axi\_hp)

Module Name	AXI_HP Interface (AFI) (axi_hp)
Base Address	0xF8008000 axi_hp0 0xF8009000 axi_hp1 0xF800A000 axi_hp2 0xF800B000 axi_hp3
Description	AXI_HP Interface (AFI)
Vendor Info	Xilinx S_AXI_HP

### Register Summary

Register Name	Address	Width	Type	Reset Value	Description
<a href="#">AFI_RDCHAN_CTRL</a>	0x00000000	32	mixed	0x00000000	Read Channel Control Register
<a href="#">AFI_RDCHAN_ISSUINGCAP</a>	0x00000004	32	mixed	0x00000007	Read Issuing Capability Register
<a href="#">AFI_RDQOS</a>	0x00000008	32	mixed	0x00000000	QOS Read Channel Register
<a href="#">AFI_RDDATAFIFO_LEVEL</a>	0x0000000C	32	mixed	0x00000000	Read Data FIFO Level Register
<a href="#">AFI_RDDEBUG</a>	0x00000010	32	mixed	0x00000000	Read Channel Debug Register
<a href="#">AFI_WRCHAN_CTRL</a>	0x00000014	32	mixed	0x00000F00	Write Channel Control Register
<a href="#">AFI_WRCHAN_ISSUINGCAP</a>	0x00000018	32	mixed	0x00000007	Write Issuing Capability Register
<a href="#">AFI_WRQOS</a>	0x0000001C	32	mixed	0x00000000	QOS Write Channel Register
<a href="#">AFI_WRDATAFIFO_LEVEL</a>	0x00000020	32	mixed	0x00000000	Write Data FIFO Level Register
<a href="#">AFI_WRDEBUG</a>	0x00000024	32	mixed	0x00000000	Write Channel Debug Register

### Register ([axi\\_hp](#)) AFI\_RDCHAN\_CTRL

Name	AFI_RDCHAN_CTRL
Relative Address	0x00000000
Absolute Address	axi_hp0: 0xF8008000 axi_hp1: 0xF8009000 axi_hp2: 0xF800A000 axi_hp3: 0xF800B000
Width	32 bits
Access Type	mixed

Reset Value 0x00000000  
 Description Read Channel Control Register

**Register AFI\_RDCHAN\_CTRL Details**

Control fields for Read Channel operation.

The associated "FPGA\_RST\_CTRL.FPGA\_AXDSN\_RST" register field must be written with "0" before accessing this register

Field Name	Bits	Type	Reset Value	Description
reserved	31:4	raz	0x0	Return 0 when read
QosHeadOfCmdQEn	3	rw	0x0	When set, allows the priority of a transaction at the head of the RdCmdQ to be promoted if higher priority transactions are backed up behind it. The entire RdCmdQ will therefore be promoted when the fabric RdQos signal is promoted. When disabled, only the new read commands issued will receive the promotion.
FabricOutCmdEn	2	rw	0x0	Enable control of outstanding read commands from the fabric 0: The maximum number of outstanding read commands is always taken from APB register field, rdIssueCap0 1: The maximum outstanding number of read commands is selected from the fabric input, axds_rdissuecap1_en, as follows: Max Outstanding Read Commands = axds_rdissuecap1_en ? rdIssueCap1 : rdIssueCap0
FabricQosEn	1	rw	0x0	Enable control of qos from the fabric 0: The qos bits are derived from APB register, AFI_RDQOS.staticQos 1: The qos bits are dynamically driven from the fabric input, axds_arqos[3:0]
32BitEn	0	rw	0x0	Configures the Read Channel as a 32-bit interface. 1: 32-bit enabled 0: 64-bit enabled

**Register ([axi\\_hp](#)) AFI\_RDCHAN\_ISSUINGCAP**

Name AFI\_RDCHAN\_ISSUINGCAP  
 Relative Address 0x00000004

Absolute Address      axi\_hp0: 0xF8008004  
                             axi\_hp1: 0xF8009004  
                             axi\_hp2: 0xF800A004  
                             axi\_hp3: 0xF800B004

Width                    32 bits

Access Type            mixed

Reset Value            0x00000007

Description            Read Issuing Capability Register

**Register AFI\_RDCHAN\_ISSUINGCAP Details**

Sets the maximum number of Outstanding Read Commands allowed (Issuing Capability). Refers to the commands that can be outstanding from the AXI\_HP to the SAM switch and back. Fields are selected by the 'axds\_rdisuecap1\_en' input. The associated "FPGA\_RST\_CTRL.FPGA\_AXDSN\_RST" register field must be written with "0" before accessing this register

Field Name	Bits	Type	Reset Value	Description
reserved	31:7	raz	0x0	Return 0 when read
rdIssueCap1	6:4	rw	0x0	Max number of outstanding read commands (Read Issuing Capability) field 1: 3'b000: 1 command 3'b001: 2 commands' '3'b111: 8 commands
reserved	3	raz	0x0	Return 0 when read
rdIssueCap0	2:0	rw	0x7	Max number of outstanding read commands (Read Issuing Capability) field 0: 3'b000: 1 command 3'b001: 2 commands' '3'b111: 8 commands

**Register ([axi\\_hp](#)) AFI\_RDQOS**

Name                    AFI\_RDQOS

Relative Address      0x00000008

Absolute Address      axi\_hp0: 0xF8008008  
                             axi\_hp1: 0xF8009008  
                             axi\_hp2: 0xF800A008  
                             axi\_hp3: 0xF800B008

Width                    32 bits

Access Type            mixed

Reset Value            0x00000000

Description            QOS Read Channel Register



### Register AFI\_RDQOS Details

Sets the static Qos value to be used for the read channel. If APB register field, 'FabricQosEn' is 0 or ('FabricQosEn' is 1 and 'QosHeadOfCmdQEn' is 1), this static Qos value will be applied to all read commands enqueued into the RdCmdQ. If ('FabricQosEn' is 1 and 'QosHeadOfCmdQEn' is 0), this static Qos field will be ignored. The associated "FPGA\_RST\_CTRL.FPGA\_AXDSN\_RST" register field must be written with "0" before accessing this register

Field Name	Bits	Type	Reset Value	Description
reserved	31:4	raz	0x0	Return 0 when read
staticQos	3:0	rw	0x0	Sets the level of the Qos field to be used for the read channel 4'b0000: Lowest Priority ' '4'b1111: Highest Priority

### Register ([axi\\_hp](#)) AFI\_RDDATAFIFO\_LEVEL

Name	AFI_RDDATAFIFO_LEVEL
Relative Address	0x0000000C
Absolute Address	axi_hp0: 0xF800800C axi_hp1: 0xF800900C axi_hp2: 0xF800A00C axi_hp3: 0xF800B00C
Width	32 bits
Access Type	mixed
Reset Value	0x00000000
Description	Read Data FIFO Level Register

### Register AFI\_RDDATAFIFO\_LEVEL Details

Returns the Level of the Read Data FIFO in Qwords. Note that this register should only be read if a valid HP port clock is actively running. If no clock is running the APB access will hang. The associated "FPGA\_RST\_CTRL.FPGA\_AXDSN\_RST" register field must be written with "0" before accessing this register

Field Name	Bits	Type	Reset Value	Description
reserved	31:8	raz	0x0	Return 0 when read
FifoLevel	7:0	ro	0x0	Returns the level measured in Dwords (64-bits) of the Read Data FIFO 8'h00: 0 Entries 8'h01: 1 Entry ' '8'h8F: 128 Entries

### Register ([axi\\_hp](#)) AFI\_RDDEBUG

Name	AFI_RDDEBUG
Relative Address	0x00000010
Absolute Address	axi_hp0: 0xF8008010 axi_hp1: 0xF8009010 axi_hp2: 0xF800A010 axi_hp3: 0xF800B010
Width	32 bits
Access Type	mixed
Reset Value	0x00000000
Description	Read Channel Debug Register

#### Register AFI\_RDDEBUG Details

Miscellaneous debug fields for the Read channel. Not to be used for functional purposes. The associated "FPGA\_RST\_CTRL.FPGA\_AXDSN\_RST" register field

must be written with "0" before accessing this register

Field Name	Bits	Type	Reset Value	Description
reserved	31:5	raz	0x0	Return 0 when read
OutRdCmds	4:1	ro	0x0	Returns the number of read commands in flight between the AXI_HP and the SAM switch 4'h0: 0 4'h1: 1 etc
RdDataFifoOverflow	0	ro	0x0	Bit is set if the RdDataFIFO overflows

### Register ([axi\\_hp](#)) AFI\_WRCHAN\_CTRL

Name	AFI_WRCHAN_CTRL
Relative Address	0x00000014
Absolute Address	axi_hp0: 0xF8008014 axi_hp1: 0xF8009014 axi_hp2: 0xF800A014 axi_hp3: 0xF800B014
Width	32 bits
Access Type	mixed
Reset Value	0x00000F00
Description	Write Channel Control Register

Register AFI\_WRCHAN\_CTRL Details

Control fields for Write Channel operation. The associated "FPGA\_RST\_CTRL.FPGA\_AXDSN\_RST" register field

must be written with "0" before accessing this register

Field Name	Bits	Type	Reset Value	Description
reserved	31:12	raz	0x0	Return 0 when read
WrDataThreshold	11:8	rw	0xF	<p>Sets the threshold at which to send the write command. Note that this is measured in data beats, and is therefore dependent on the '32bitEn' field.</p> <p>4'b0000: Send Write Command When 1 data beat is pushed into the Write Data FIFO</p> <p>4'b0001: Send Write Command When 2 data beats are pushed into the Write Data FIFO</p> <p>'4'b1111: Send Write Command When 16 data beats are pushed into the Write Data FIFO</p> <p>Note: If this field is programmed to be less than the actual burst length of the write command, the 'Wlast' will take priority. For example, if 'WrDataThreshold' is set to 4'b1111 (indicates 16 beats), and a Wlast is received after 8 beats, the write command is sent.</p>
reserved	7:6	raz	0x0	Return 0 when read
WrCmdReleaseMode	5:4	rw	0x0	<p>Mode of Write Command Release.</p> <p>2'b00: Release Wr Command on 'Wlast' enqueue into Write Data FIFO</p> <p>2'b01: Release Wr Command on a particular threshold being reached on the enqueue into Write Data FIFO. The 'WrDataThreshold' field is used to program the actual threshold.</p> <p>2'b10: Reserved</p> <p>2'b11: Reserved</p>
QosHeadOfCmdQEn	3	rw	0x0	<p>When set, allows the priority of a transaction at the head of the WrCmdQ to be promoted if higher priority transactions are backed up behind it. The entire WrCmdQ will therefore be 'promoted' when the fabric 'WrQos' signal is promoted.</p> <p>When disabled, only the new write commands issued will receive the 'promotion'.</p>

Field Name	Bits	Type	Reset Value	Description
FabricOutCmdEn	2	rw	0x0	Enable control of outstanding write commands from the fabric 0: The maximum number of outstanding write commands is always taken from APB register field, 'wrIssueCap0' 1: The maximum outstanding number of write commands is selected from the fabric input, 'axds_wrissuecap1_en', as follows: Max Outstanding Write Commands = axds_wrissuecap1_en ? wrIssueCap1 : wrIssueCap0
FabricQosEn	1	rw	0x0	Enable control of qos from the fabric 0: The qos bits are derived from APB register, 'AFI_WRQOS.staticQos' 1: The qos bits are dynamically driven from the fabric input, 'axds_awqos[3:0]'
32BitEn	0	rw	0x0	Configures the Write Channel as a 32-bit interface. 1: 32-bit enabled 0: 64-bit enabled

### Register ([axi\\_hp](#)) AFI\_WRCHAN\_ISSUINGCAP

Name	AFI_WRCHAN_ISSUINGCAP
Relative Address	0x00000018
Absolute Address	axi_hp0: 0xF8008018 axi_hp1: 0xF8009018 axi_hp2: 0xF800A018 axi_hp3: 0xF800B018
Width	32 bits
Access Type	mixed
Reset Value	0x00000007
Description	Write Issuing Capability Register

#### Register AFI\_WRCHAN\_ISSUINGCAP Details

Sets the maximum number of Outstanding Write Commands (Issuing Capability) allowed. Refers to the commands that can be outstanding from the AXI\_HP to the SAM switch and back. Fields are selected by the 'axds\_wrissuecap1\_en' input. The associated "FPGA\_RST\_CTRL.FPGA\_AXDSN\_RST" register field must be written with "0" before accessing this register

Field Name	Bits	Type	Reset Value	Description
reserved	31:7	raz	0x0	Return 0 when read
wrIssueCap1	6:4	rw	0x0	Max number of outstanding write commands (Write Issuing Capability) field 1: 3'b000: 1 command 3'b001: 2 commands' '3'b111: 8 commands
reserved	3	raz	0x0	Return 0 when read
wrIssueCap0	2:0	rw	0x7	Max number of outstanding write commands (Write Issuing Capability) field 0: 3'b000: 1 command 3'b001: 2 commands' '3'b111: 8 commands

### Register ([axi\\_hp](#)) AFI\_WRQOS

Name	AFI_WRQOS
Relative Address	0x0000001C
Absolute Address	axi_hp0: 0xF800801C axi_hp1: 0xF800901C axi_hp2: 0xF800A01C axi_hp3: 0xF800B01C
Width	32 bits
Access Type	mixed
Reset Value	0x00000000
Description	QOS Write Channel Register

#### Register AFI\_WRQOS Details

Sets the static Qos value to be used for the write channel. If APB register field, 'FabricQosEn' is 0 or ('FabricQosEn' is 1 and 'QosHeadOfCmdQEn' is 1), this static Qos value will be applied to all write commands enqueued into the WrCmdQ. If ('FabricQosEn' is 1 and 'QosHeadOfCmdQEn' is 0), this static Qos field will be ignored. The associated "FPGA\_RST\_CTRL.FPGA\_AXDSN\_RST" register field must be written with "0" before accessing this register

Field Name	Bits	Type	Reset Value	Description
reserved	31:4	raz	0x0	Return 0 when read
staticQos	3:0	rw	0x0	Sets the level of the Qos field to be used for the write channel 4'b0000: Lowest Priority' '4'b1111: Highest Priority

### Register ([axi\\_hp](#)) AFI\_WRDATAFIFO\_LEVEL

Name	AFI_WRDATAFIFO_LEVEL
Relative Address	0x00000020
Absolute Address	axi_hp0: 0xF8008020 axi_hp1: 0xF8009020 axi_hp2: 0xF800A020 axi_hp3: 0xF800B020
Width	32 bits
Access Type	mixed
Reset Value	0x00000000
Description	Write Data FIFO Level Register

#### Register AFI\_WRDATAFIFO\_LEVEL Details

Returns the Level of the Write Data FIFO in Dwords. Note that this register should only be read if a valid HP port clock is actively running. If no clock is present, the APB access will hang. The associated "FPGA\_RST\_CTRL.FPGA\_AXDSN\_RST" register field must be written with "0" before accessing this register

Field Name	Bits	Type	Reset Value	Description
reserved	31:8	raz	0x0	Return 0 when read
FifoLevel	7:0	ro	0x0	Returns the level measured in Dwords (64-bits) of the Write Data FIFO 8'h00: 0 Entries 8'h01: 1 Entry ' ' 8'h8F: 128 Entries

### Register ([axi\\_hp](#)) AFI\_WRDEBUG

Name	AFI_WRDEBUG
Relative Address	0x00000024
Absolute Address	axi_hp0: 0xF8008024 axi_hp1: 0xF8009024 axi_hp2: 0xF800A024 axi_hp3: 0xF800B024
Width	32 bits
Access Type	mixed
Reset Value	0x00000000
Description	Write Channel Debug Register

#### Register AFI\_WRDEBUG Details

The associated "FPGA\_RST\_CTRL.FPGA\_AXDSN\_RST" register field

must be written with "0" before accessing this register

Field Name	Bits	Type	Reset Value	Description
reserved	31:5	raz	0x0	Return 0 when read
OutWrCmds	4:1	ro	0x0	Returns the number of write commands in flight between the AXI_HP and the SAM switch 4'h0: 0 4'h1: 1 etc
WrDataFifoOverflow	0	ro	0x0	Bit is set if the WrDataFIFO overflows

## B.5 CAN Controller (can)

Module Name	CAN Controller (can)
Software Name	XCANPS
Base Address	0xE0008000 can0 0xE0009000 can1
Description	Controller Area Network
Vendor Info	Xilinx CAN

### Register Summary

Register Name	Address	Width	Type	Reset Value	Description
<a href="#">SRR</a>	0x00000000	32	rw	0x00000000	Software Reset Register
<a href="#">MSR</a>	0x00000004	32	rw	0x00000000	Mode Select Register
<a href="#">BRPR</a>	0x00000008	32	rw	0x00000000	Baud Rate Prescaler Register
<a href="#">BTR</a>	0x0000000C	32	rw	0x00000000	Bit Timing Register
<a href="#">ECR</a>	0x00000010	32	ro	0x00000000	Error Counter Register
<a href="#">ESR</a>	0x00000014	32	mixed	0x00000000	Error Status Register
<a href="#">SR</a>	0x00000018	32	mixed	0x00000001	Status Register
<a href="#">ISR</a>	0x0000001C	32	mixed	0x00006000	Interrupt Status Register
<a href="#">IER</a>	0x00000020	32	rw	0x00000000	Interrupt Enable Register
<a href="#">ICR</a>	0x00000024	32	mixed	0x00000000	Interrupt Clear Register
<a href="#">TCR</a>	0x00000028	32	mixed	0x00000000	Timestamp Control Register
<a href="#">WIR</a>	0x0000002C	32	rw	0x00003F3F	Watermark Interrupt Register
<a href="#">TXFIFO_ID</a>	0x00000030	32	wo	0x00000000	transmit message fifo message identifier
<a href="#">TXFIFO_DLC</a>	0x00000034	32	rw	0x00000000	transmit message fifo data length code
<a href="#">TXFIFO_DATA1</a>	0x00000038	32	rw	0x00000000	transmit message fifo data word 1
<a href="#">TXFIFO_DATA2</a>	0x0000003C	32	rw	0x00000000	transmit message fifo data word 2
<a href="#">TXHPB_ID</a>	0x00000040	32	wo	0x00000000	transmit high priority buffer message identifier
<a href="#">TXHPB_DLC</a>	0x00000044	32	rw	0x00000000	transmit high priority buffer data length code



Register Name	Address	Width	Type	Reset Value	Description
<a href="#">TXHPB_DATA1</a>	0x00000048	32	rw	0x00000000	transmit high priority buffer data word 1
<a href="#">TXHPB_DATA2</a>	0x0000004C	32	rw	0x00000000	transmit high priority buffer data word 2
<a href="#">RXFIFO_ID</a>	0x00000050	32	ro	x	receive message fifo message identifier
<a href="#">RXFIFO_DLC</a>	0x00000054	32	rw	x	receive message fifo data length code
<a href="#">RXFIFO_DATA1</a>	0x00000058	32	rw	x	receive message fifo data word 1
<a href="#">RXFIFO_DATA2</a>	0x0000005C	32	rw	x	receive message fifo data word 2
<a href="#">AFR</a>	0x00000060	32	rw	0x00000000	Acceptance Filter Register
<a href="#">AFMR1</a>	0x00000064	32	rw	x	Acceptance Filter Mask Register 1
<a href="#">AFIR1</a>	0x00000068	32	rw	x	Acceptance Filter ID Register 1
<a href="#">AFMR2</a>	0x0000006C	32	rw	x	Acceptance Filter Mask Register 2
<a href="#">AFIR2</a>	0x00000070	32	rw	x	Acceptance Filter ID Register 2
<a href="#">AFMR3</a>	0x00000074	32	rw	x	Acceptance Filter Mask Register 3
<a href="#">AFIR3</a>	0x00000078	32	rw	x	Acceptance Filter ID Register 3
<a href="#">AFMR4</a>	0x0000007C	32	rw	x	Acceptance Filter Mask Register 4
<a href="#">AFIR4</a>	0x00000080	32	rw	x	Acceptance Filter ID Register 4

### Register ([can](#)) SRR

Name	SRR
Relative Address	0x00000000
Absolute Address	can0: 0xE0008000 can1: 0xE0009000
Width	32 bits
Access Type	rw
Reset Value	0x00000000
Description	Software Reset Register

#### Register SRR Details

Writing to the Software Reset Register (SRR) places the CAN controller in Configuration mode. Once in Configuration mode, the CAN controller drives recessive on the bus line and does not transmit or receive messages. During power-up, CEN and SRST bits are '0' and CONFIG bit in the Status Register (SR) is '1.'

The Transfer Layer Configuration Registers can be changed only when CEN bit in the SRR Register is '0.' If the CEN bit is changed during core operation, it is recommended to reset the core so that operations start afresh.

Field Name	Bits	Type	Reset Value	Description
reserved	31:2	rw	0x0	Reserved.
CEN	1	rw	0x0	Can Enable The Enable bit for the CAN controller. 1: The CAN controller is in Loop Back, Sleep or Normal mode depending on the LBACK and SLEEP bits in the MSR. 0: The CAN controller is in the Configuration mode. If the CEN bit is changed during core operation, it is recommended to reset the core so that operations start afresh.
SRST	0	rw	0x0	Reset The Software reset bit for the CAN controller. 1: CAN controller is reset. If a 1 is written to this bit, all the CAN controller configuration registers (including the SRR) are reset. Reads to this bit always return a 0.

### Register ([can](#)) MSR

Name	MSR
Relative Address	0x00000004
Absolute Address	can0: 0xE0008004 can1: 0xE0009004
Width	32 bits
Access Type	rw
Reset Value	0x00000000
Description	Mode Select Register

#### Register MSR Details

Writing to the Mode Select Register (MSR) enables the CAN controller to enter Snoop, Sleep, Loop Back, or Normal modes. In Normal mode, the CAN controller participates in normal bus communication. If the SLEEP bit is set to '1,' the CAN controller enters Sleep mode. If the LBACK bit is set to '1,' the CAN controller enters Loop Back mode. If the SNOOP mode is set to '1,' the CAN controller enters Snoop mode and does not participate in bus communication but only receives messages.

The LBACK and SLEEP bits should never be set to '1' at the same time. At any given point the CAN controller can be either in Loop Back mode or Sleep mode, but not both simultaneously. If both bits are set, then LBACK Mode takes priority. SNOOP Mode has least priority. In order for core to enter SNOOP mode LBACK and SLEEP modes should be set to '0'.

Field Name	Bits	Type	Reset Value	Description
reserved	31:3	rw	0x0	Reserved.
SNOOP	2	rw	0x0	Snoop Mode Select The Snoop Mode Select bit. 1: CAN controller is in Snoop mode. 0: CAN controller is in Normal, Loop Back, Configuration, or Sleep mode. This bit can be written to only when CEN bit in SRR is 0.
LBACK	1	rw	0x0	Loop Back Mode Select The Loop Back Mode Select bit. 1: CAN controller is in Loop Back mode. 0: CAN controller is in Normal, Snoop, Configuration, or Sleep mode. This bit can be written to only when CEN bit in SRR is 0.
SLEEP	0	rw	0x0	Sleep Mode Select The Sleep Mode select bit. 1: CAN controller is in Sleep mode. 0: CAN controller is in Normal, Snoop, Configuration or Loop Back mode. This bit is cleared when the CAN controller wakes up from the Sleep mode.

### Register ([can](#)) BRPR

Name	BRPR
Relative Address	0x00000008
Absolute Address	can0: 0xE0008008 can1: 0xE0009008
Width	32 bits
Access Type	rw
Reset Value	0x00000000
Description	Baud Rate Prescaler Register

#### Register BRPR Details

The BRPR can be programmed to any value in the range 0-255. The actual value is 1 more than the value written into the register.

Please refer to the CAN chapter for more details.

Field Name	Bits	Type	Reset Value	Description
reserved	31:8	rw	0x0	Reserved
BRP	7:0	rw	0x0	Baud Rate Prescaler These bits indicate the prescaler value. The actual value ranges from 1 to 256.

### Register ([can](#)) BTR

Name	BTR
Relative Address	0x0000000C
Absolute Address	can0: 0xE000800C can1: 0xE000900C
Width	32 bits
Access Type	rw
Reset Value	0x00000000
Description	Bit Timing Register

#### Register BTR Details

The Bit Timing Register (BTR) specifies the bits needed to configure bit time. Specifically, the Propagation Segment, Phase segment 1, Phase segment 2, and Synchronization Jump Width (as defined in CAN 2.0A, CAN 2.0B and ISO 11891-1) are written to the BTR. The actual value of each of these fields is one more than the value written to this register.

Field Name	Bits	Type	Reset Value	Description
reserved	31:9	rw	0x0	Reserved
SJW	8:7	rw	0x0	Synchronization Jump Width Indicates the Synchronization Jump Width as specified in the CAN 2.0A and CAN 2.0B standard. The actual value is one more than the value written to the register.
TS2	6:4	rw	0x0	Time Segment 2 Indicates Phase Segment 2 as specified in the CAN 2.0A and CAN 2.0B standard. The actual value is one more than the value written to the register.
TS1	3:0	rw	0x0	Time Segment 1 Indicates the Sum of Propagation Segment and Phase Segment 1 as specified in the CAN 2.0A and CAN 2.0B standard. The actual value is one more than the value written to the register.

### Register ([can](#)) ECR

Name	ECR
Relative Address	0x00000010
Absolute Address	can0: 0xE0008010 can1: 0xE0009010
Width	32 bits
Access Type	ro
Reset Value	0x00000000
Description	Error Counter Register

#### Register ECR Details

The ECR is a read-only register. Writes to the ECR have no effect. The value of the error counters in the register reflect the values of the transmit and receive error counters in the CAN Protocol Engine Module (see Figure 1).

The following conditions reset the Transmit and Receive Error counters:

- \* When '1' is written to the SRST bit in the SRR
- \* When '0' is written to the CEN bit in the SRR
- \* When the CAN controller enters Bus Off state
- \* During Bus Off recovery when the CAN controller enters Error Active state after 128 occurrences of 11 consecutive recessive bits

When in Bus Off recovery, the Receive Error counter is advanced by 1 when a sequence of 11 consecutive recessive bits is seen.

Field Name	Bits	Type	Reset Value	Description
reserved	31:16	ro	0x0	Reserved
REC	15:8	ro	0x0	Receive Error Counter Indicates the Value of the Receive Error Counter.
TEC	7:0	ro	0x0	Transmit Error Counter Indicates the Value of the Transmit Error Counter.

### Register ([can](#)) ESR

Name	ESR
Relative Address	0x00000014
Absolute Address	can0: 0xE0008014 can1: 0xE0009014
Width	32 bits
Access Type	mixed

Reset Value                    0x00000000  
 Description                    Error Status Register

Register ESR Details

The Error Status Register (ESR) indicates the type of error that has occurred on the bus. If more than one error occurs, all relevant error flag bits are set in this register. The ESR is a write-to-clear register. Writes to this register will not set any bits, but will clear the bits that are set.

Field Name	Bits	Type	Reset Value	Description
reserved	31:5	rw	0x0	Reserved
ACKER	4	wtc	0x0	ACK Error Indicates an acknowledgment error. 1: Indicates an acknowledgment error has occurred. 0: Indicates an acknowledgment error has not occurred on the bus since the last write to this register. If this bit is set, writing a 1 clears it.
BERR	3	wtc	0x0	Bit Error Indicates the received bit is not the same as the transmitted bit during bus communication. 1: Indicates a bit error has occurred. 0: Indicates a bit error has not occurred on the bus since the last write to this register. If this bit is set, writing a 1 clears it.
STER	2	wtc	0x0	Stuff Error Indicates an error if there is a stuffing violation. 1: Indicates a stuff error has occurred. 0: Indicates a stuff error has not occurred on the bus since the last write to this register. If this bit is set, writing a 1 clears it.

Field Name	Bits	Type	Reset Value	Description
FMER	1	wtc	0x0	Form Error Indicates an error in one of the fixed form fields in the message frame. 1: Indicates a form error has occurred. 0: Indicates a form error has not occurred on the bus since the last write to this register. If this bit is set, writing a 1 clears it.
CRCER	0	wtc	0x0	CRC Error Indicates a CRC error has occurred. 1: Indicates a CRC error has occurred. 0: Indicates a CRC error has not occurred on the bus since the last write to this register. If this bit is set, writing a 1 clears it. In case of a CRC Error and a CRC delimiter corruption, only the FMER bit is set.

### Register ([can](#)) SR

Name	SR
Relative Address	0x00000018
Absolute Address	can0: 0xE0008018 can1: 0xE0009018
Width	32 bits
Access Type	mixed
Reset Value	0x00000001
Description	Status Register

#### Register SR Details

The CAN Status Register provides a status of all conditions of the Core. Specifically, FIFO status, Error State, Bus State and Configuration mode are reported.

Field Name	Bits	Type	Reset Value	Description
reserved	31:13	rw	0x0	Reserved
SNOOP	12	ro	0x0	Snoop Mode Indicates the CAN controller is in Snoop Mode. 1: Indicates the CAN controller is in Snoop Mode. 0: Indicates the CAN controller is not in Snoop mode.

Field Name	Bits	Type	Reset Value	Description
ACFBSY	11	ro	0x0	Acceptance Filter Busy indicator. Indicates write-ability of the Mask and ID registers, read-only: 0: writable 1: not writable. This bit reads 1 when a 0 is written to any of the valid UAF bits in an Acceptance Filter Register.
TXFLL	10	ro	0x0	Transmit FIFO Full Indicates that the TX FIFO is full. 1: Indicates the TX FIFO is full. 0: Indicates the TX FIFO is not full.
TXBFLL	9	ro	0x0	High Priority Transmit Buffer Full Indicates the High Priority Transmit Buffer is full. 1: Indicates the High Priority Transmit Buffer is full. 0: Indicates the High Priority Transmit Buffer is not full.
ESTAT	8:7	ro	0x0	Error Status Indicates the error status of the CAN controller. 00: Indicates Configuration Mode (CONFIG = 1). Error State is undefined. 01: Indicates Error Active State. 11: Indicates Error Passive State. 10: Indicates Bus Off State.
ERRWRN	6	ro	0x0	Error Warning Indicates that either the Transmit Error counter or the Receive Error counter has exceeded a value of 96. 1: One or more error counters have a value greater than or equal to 96. 0: Neither of the error counters has a value greater than or equal to 96.
BBSY	5	ro	0x0	Bus Busy Indicates the CAN bus status. 1: Indicates that the CAN controller is either receiving a message or transmitting a message. 0: Indicates that the CAN controller is either in Configuration mode or the bus is idle.
BIDLE	4	ro	0x0	Bus Idle Indicates the CAN bus status. 1: Indicates no bus communication is taking place. 0: Indicates the CAN controller is either in Configuration mode or the bus is busy.



Field Name	Bits	Type	Reset Value	Description
NORMAL	3	ro	0x0	Normal Mode Indicates the CAN controller is in Normal Mode. 1: Indicates the CAN controller is in Normal Mode. 0: Indicates the CAN controller is not in Normal mode.
SLEEP	2	ro	0x0	Sleep Mode Indicates the CAN controller is in Sleep mode. 1: Indicates the CAN controller is in Sleep mode. 0: Indicates the CAN controller is not in Sleep mode.
LBACK	1	ro	0x0	Loop Back Mode Indicates the CAN controller is in Loop Back mode. 1: Indicates the CAN controller is in Loop Back mode. 0: Indicates the CAN controller is not in Loop Back mode.
CONFIG	0	ro	0x1	Configuration Mode Indicator Indicates the CAN controller is in Configuration mode. 1: Indicates the CAN controller is in Configuration mode. 0: Indicates the CAN controller is not in Configuration mode.

### Register ([can](#)) ISR

Name	ISR
Relative Address	0x0000001C
Absolute Address	can0: 0xE000801C can1: 0xE000901C
Width	32 bits
Access Type	mixed
Reset Value	0x00006000
Description	Interrupt Status Register

#### Register ISR Details

The Interrupt Status Register (ISR) contains bits that are set when a particular interrupt condition occurs. If the corresponding mask bit in the Interrupt Enable Register is set, an interrupt is generated.

Interrupt bits in the ISR can be cleared by writing to the Interrupt Clear Register. For all bits in the ISR, a set condition takes priority over the clear condition and the bit continues to remain '1.'

Field Name	Bits	Type	Reset Value	Description
reserved	31:15	rw	0x0	reserved
TXFEMP (IXR_TXFEMP)	14	ro	0x1	Transmit FIFO Empty Interrupt A 1 indicates that the Transmit FIFO is empty. The interrupt continues to assert as long as the TX FIFO is empty. This bit can be cleared only by writing to the ICR.
TXFWMEMP (IXR_TXFWMEMP)	13	ro	0x1	Transmit FIFO Watermark Empty Interrupt A 1 indicates that the TX FIFO is empty based on watermark programming. The interrupt continues to assert as long as the number of empty spaces in the TX FIFO is greater than TX FIFO empty watermark. This bit can be cleared only by writing to the Interrupt Clear Register.
RXFWMFLL (IXR_RXFWMFLL)	12	ro	0x0	Receive FIFO Watermark Full Interrupt A 1 indicates that the RX FIFO is full based on watermark programming. The interrupt continues to assert as long as the RX FIFO count is above RX FIFO Full watermark. This bit can be cleared only by writing to the Interrupt Clear Register.
WKUP (IXR_WKUP)	11	ro	0x0	Wake up Interrupt A 1 indicates that the CAN controller entered Normal mode from Sleep Mode. This bit can be cleared by writing to the ICR. This bit is also cleared when a 0 is written to the CEN bit in the SRR.
SLP (IXR_SLP)	10	ro	0x0	Sleep Interrupt A 1 indicates that the CAN controller entered Sleep mode. This bit can be cleared by writing to the ICR. This bit is also cleared when a 0 is written to the CEN bit in the SRR.
BSOFF (IXR_BSOFF)	9	ro	0x0	Bus Off Interrupt A 1 indicates that the CAN controller entered the Bus Off state. This bit can be cleared by writing to the ICR. This bit is also cleared when a 0 is written to the CEN bit in the SRR.

Field Name	Bits	Type	Reset Value	Description
ERROR (IXR_ERROR)	8	ro	0x0	<p>Error Interrupt</p> <p>A 1 indicates that an error occurred during message transmission or reception.</p> <p>This bit can be cleared by writing to the ICR.</p> <p>This bit is also cleared when a 0 is written to the CEN bit in the SRR.</p>
RXNEMP (IXR_RXNEMP)	7	ro	0x0	<p>Receive FIFO Not Empty Interrupt</p> <p>A 1 indicates that the Receive FIFO is not empty.</p> <p>This bit can be cleared only by writing to the ICR.</p>
RXOFLW (IXR_RXOFLW)	6	ro	0x0	<p>RX FIFO Overflow Interrupt</p> <p>A 1 indicates that a message has been lost. This condition occurs when a new message is being received and the Receive FIFO is Full.</p> <p>This bit can be cleared by writing to the ICR.</p> <p>This bit is also cleared when a 0 is written to the CEN bit in the SRR.</p>
RXUFLW (IXR_RXUFLW)	5	ro	0x0	<p>RX FIFO Underflow Interrupt</p> <p>A 1 indicates that a read operation was attempted on an empty RX FIFO.</p> <p>This bit can be cleared only by writing to the ICR.</p>
RXOK (IXR_RXOK)	4	ro	0x0	<p>New Message Received Interrupt</p> <p>A 1 indicates that a message was received successfully and stored into the RX FIFO.</p> <p>This bit can be cleared by writing to the ICR.</p> <p>This bit is also cleared when a 0 is written to the CEN bit in the SRR.</p>
TXBFLL (IXR_TXBFLL)	3	ro	0x0	<p>High Priority Transmit Buffer Full Interrupt</p> <p>A 1 indicates that the High Priority Transmit Buffer is full.</p> <p>The status of the bit is unaffected if write transactions occur on the High Priority Transmit Buffer when it is already full.</p> <p>This bit can be cleared only by writing to the ICR.</p>
TXFLL (IXR_TXFLL)	2	ro	0x0	<p>Transmit FIFO Full Interrupt</p> <p>A 1 indicates that the TX FIFO is full.</p> <p>The status of the bit is unaffected if write transactions occur on the Transmit FIFO when it is already full.</p> <p>This bit can be cleared only by writing to the Interrupt Clear Register.</p>

Field Name	Bits	Type	Reset Value	Description
TXOK (IXR_TXOK)	1	ro	0x0	<p>Transmission Successful Interrupt</p> <p>A 1 indicates that a message was transmitted successfully.</p> <p>This bit can be cleared by writing to the ICR.</p> <p>This bit is also cleared when a 0 is written to the CEN bit in the SRR.</p> <p>In Loop Back mode, both TXOK and RXOK bits are set. The RXOK bit is set before the TXOK bit.</p>
ARBLST (IXR_ARBLST)	0	ro	0x0	<p>Arbitration Lost Interrupt</p> <p>A 1 indicates that arbitration was lost during message transmission.</p> <p>This bit can be cleared by writing to the ICR.</p> <p>This bit is also cleared when a 0 is written to the CEN bit in the SRR.</p>

### Register ([can](#)) IER

Name	IER
Relative Address	0x00000020
Absolute Address	can0: 0xE0008020 can1: 0xE0009020
Width	32 bits
Access Type	rw
Reset Value	0x00000000
Description	Interrupt Enable Register

### Register IER Details

Field Name	Bits	Type	Reset Value	Description
reserved	31:15	rw	0x0	Reserved
ETXFEMP (IXR_TXFEMP)	14	rw	0x0	<p>Enable TXFIFO Empty Interrupt</p> <p>Writes to this bit enable or disable interrupts when the TXFEMP bit in the ISR is set.</p> <p>1: Enable interrupt generation if TXFEMP bit in ISR is set.</p> <p>0: Disable interrupt generation if TXFEMP bit in ISR is set.</p>

Field Name	Bits	Type	Reset Value	Description
ETXFWMEMP (IXR_TXFWMEMP)	13	rw	0x0	Enable TXFIFO watermark Empty Interrupt Writes to this bit enable or disable interrupts when the TXFWMEMP bit in the ISR is set. 1: Enable interrupt generation if TXFWMEMP bit in ISR is set. 0: Disable interrupt generation if TXFWMEMP bit in ISR is set.
ERXFWMFLL (IXR_RXFWMFLL)	12	rw	0x0	Enable RXFIFO watermark Full Interrupt Writes to this bit enable or disable interrupts when the RXFLL bit in the ISR is set. 1: Enable interrupt generation if RXFWMFLL bit in ISR is set. 0: Disable interrupt generation if RXFWMFLL bit in ISR is set.
EWKUP (IXR_WKUP)	11	rw	0x0	Enable Wake up Interrupt Writes to this bit enable or disable interrupts when the WKUP bit in the ISR is set. 1: Enable interrupt generation if WKUP bit in ISR is set. 0: Disable interrupt generation if WKUP bit in ISR is set.
ESLP (IXR_SLP)	10	rw	0x0	Enable Sleep Interrupt Writes to this bit enable or disable interrupts when the SLP bit in the ISR is set. 1: Enable interrupt generation if SLP bit in ISR is set. 0: Disable interrupt generation if SLP bit in ISR is set.
EBSOFF (IXR_BSOFF)	9	rw	0x0	Enable Bus OFF Interrupt Writes to this bit enable or disable interrupts when the BSOFF bit in the ISR is set. 1: Enable interrupt generation if BSOFF bit in ISR is set. 0: Disable interrupt generation if BSOFF bit in ISR is set.
EERROR (IXR_ERROR)	8	rw	0x0	Enable Error Interrupt Writes to this bit enable or disable interrupts when the ERROR bit in the ISR is set. 1: Enable interrupt generation if ERROR bit in ISR is set. 0: Disable interrupt generation if ERROR bit in ISR is set.

Field Name	Bits	Type	Reset Value	Description
ERXNEMP (IXR_RXNEMP)	7	rw	0x0	Enable Receive FIFO Not Empty Interrupt Writes to this bit enable or disable interrupts when the RXNEMP bit in the ISR is set. 1: Enable interrupt generation if RXNEMP bit in ISR is set. 0: Disable interrupt generation if RXNEMP bit in ISR is set.
ERXOFLW (IXR_RXOFLW)	6	rw	0x0	Enable RX FIFO Overflow Interrupt Writes to this bit enable or disable interrupts when the RXOFLW bit in the ISR is set. 1: Enable interrupt generation if RXOFLW bit in ISR is set. 0: Disable interrupt generation if RXOFLW bit in ISR is set.
ERXUFLW (IXR_RXUFLW)	5	rw	0x0	Enable RX FIFO Underflow Interrupt Writes to this bit enable or disable interrupts when the RXUFLW bit in the ISR is set. 1: Enable interrupt generation if RXUFLW bit in ISR is set. 0: Disable interrupt generation if RXUFLW bit in ISR is set.
ERXOK (IXR_RXOK)	4	rw	0x0	Enable New Message Received Interrupt Writes to this bit enable or disable interrupts when the RXOK bit in the ISR is set. 1: Enable interrupt generation if RXOK bit in ISR is set. 0: Disable interrupt generation if RXOK bit in ISR is set.
ETXBFLW (IXR_TXBFLW)	3	rw	0x0	Enable High Priority Transmit Buffer Full Interrupt Writes to this bit enable or disable interrupts when the TXBFLW bit in the ISR is set. 1: Enable interrupt generation if TXBFLW bit in ISR is set. 0: Disable interrupt generation if TXBFLW bit in ISR is set.
ETXFLL (IXR_TXFLL)	2	rw	0x0	Enable Transmit FIFO Full Interrupt Writes to this bit enable or disable interrupts when TXFLL bit in the ISR is set. 1: Enable interrupt generation if TXFLL bit in ISR is set. 0: Disable interrupt generation if TXFLL bit in ISR is set.

Field Name	Bits	Type	Reset Value	Description
ETXOK (IXR_TXOK)	1	rw	0x0	Enable Transmission Successful Interrupt Writes to this bit enable or disable interrupts when the TXOK bit in the ISR is set. 1: Enable interrupt generation if TXOK bit in ISR is set. 0: Disable interrupt generation if TXOK bit in ISR is set.
EARBLST (IXR_ARBLST)	0	rw	0x0	Enable Arbitration Lost Interrupt Writes to this bit enable or disable interrupts when the ARBLST bit in the ISR is set. 1: Enable interrupt generation if ARBLST bit in ISR is set. 0: Disable interrupt generation if ARBLST bit in ISR is set.

### Register (can) ICR

Name	ICR
Relative Address	0x00000024
Absolute Address	can0: 0xE0008024 can1: 0xE0009024
Width	32 bits
Access Type	mixed
Reset Value	0x00000000
Description	Interrupt Clear Register

### Register ICR Details

Field Name	Bits	Type	Reset Value	Description
reserved	31:15	rw	0x0	Reserved
CTXFEMP (IXR_TXFEMP)	14	wo	0x0	Clear TXFIFO Empty Interrupt Writing a 1 to this bit clears the TXFEMP bit in the ISR.
CTXFWMEMP (IXR_TXFWMEMP)	13	wo	0x0	Clear TXFIFO Watermark Empty Interrupt Writing a 1 to this bit clears the TXFWMEMP bit in the ISR.
CRXFWMFLL (IXR_RXFWMFLL)	12	wo	0x0	Clear RXFIFO Watermark Full Interrupt Writing a 1 to this bit clears the RXFWMFLL bit in the ISR.

Field Name	Bits	Type	Reset Value	Description
CWKUP (IXR_WKUP)	11	wo	0x0	Clear Wake up Interrupt Writing a 1 to this bit clears the WKUP bit in the ISR.
CSLP (IXR_SLP)	10	wo	0x0	Clear Sleep Interrupt Writing a 1 to this bit clears the SLP bit in the ISR.
CBSOFF (IXR_BSOFF)	9	wo	0x0	Clear Bus Off Interrupt Writing a 1 to this bit clears the BSOFF bit in the ISR.
CERROR (IXR_ERROR)	8	wo	0x0	Clear Error Interrupt Writing a 1 to this bit clears the ERROR bit in the ISR.
CRXNEMP (IXR_RXNEMP)	7	wo	0x0	Clear Receive FIFO Not Empty Interrupt Writing a 1 to this bit clears the RXNEMP bit in the ISR.
CRXOFLW (IXR_RXOFLW)	6	wo	0x0	Clear RX FIFO Overflow Interrupt Writing a 1 to this bit clears the RXOFLW bit in the ISR.
CRXUFLW (IXR_RXUFLW)	5	wo	0x0	Clear RX FIFO Underflow Interrupt Writing a 1 to this bit clears the RXUFLW bit in the ISR.
CRXOK (IXR_RXOK)	4	wo	0x0	Clear New Message Received Interrupt Writing a 1 to this bit clears the RXOK bit in the ISR.
CTXBFL (IXR_TXBFL)	3	wo	0x0	Clear High Priority Transmit Buffer Full Interrupt Writing a 1 to this bit clears the TXBFL bit in the ISR.
CTXFLL (IXR_TXFLL)	2	wo	0x0	Clear Transmit FIFO Full Interrupt Writing a 1 to this bit clears the TXFLL bit in the ISR.
CTXOK (IXR_TXOK)	1	wo	0x0	Clear Transmission Successful Interrupt Writing a 1 to this bit clears the CTXOK bit in the ISR.
CARBLST (IXR_ARBLST)	0	wo	0x0	Clear Arbitration Lost Interrupt Writing a 1 to this bit clears the ARBLST bit in the ISR.

Register ([can](#)) TCR

Name TCR  
Relative Address 0x00000028



Absolute Address      can0: 0xE0008028  
                               can1: 0xE0009028

Width                    32 bits

Access Type            mixed

Reset Value            0x00000000

Description            Timestamp Control Register

Register TCR Details

Field Name	Bits	Type	Reset Value	Description
reserved	31:1	rw	0x0	reserved
CTS	0	wo	0x0	Clear Timestamp Internal free running counter is cleared to 0 when CTS=1. This bit only needs to be written once with a 1 to clear the counter. The bit will automatically return to 0.

Register ([can](#)) WIR

Name                    WIR

Relative Address      0x0000002C

Absolute Address      can0: 0xE000802C  
                               can1: 0xE000902C

Width                    32 bits

Access Type            rw

Reset Value            0x00003F3F

Description            Watermark Interrupt Register

Register WIR Details

The TXFIFO Empty watermark (EW) programmed in this register will be applied to TX FIFO only. The RXFIFO Full watermark (FW) programmed in this register will be applied to RX FIFO only. The watermark register is allowed to program only when CEN=0 in SRR register.

The TXFIFO Watermark EMPTY interrupt (TXFWMEMP) will continue to assert as long as the number of empty spaces in the TX FIFO is greater than the TXFIFO Empty watermark (EW). The RXFLL interrupt will continue to assert as long as the RX FIFO count remains above the RXFIFO Full watermark (FW).

Field Name	Bits	Type	Reset Value	Description
reserved	31:16	rw	0x0	reserved
EW	15:8	rw	0x3F	TXFIFO Empty watermark TXFIFO generates an EMPTY interrupt based on the value programmed in this field. The valid range is (1-63). No protection is given for illegal programming in this field. This field can be written to only when CEN bit in SRR is 0.
FW	7:0	rw	0x3F	RXFIFO Full watermark RXFIFO generates FULL interrupt based on the value programmed in this field. The valid range is (1-63). No protection is given for illegal programming in this field. This field can be written to only when CEN bit in SRR is 0.

### Register ([can](#)) TXFIFO\_ID

Name	TXFIFO_ID
Relative Address	0x00000030
Absolute Address	can0: 0xE0008030 can1: 0xE0009030
Width	32 bits
Access Type	wo
Reset Value	0x00000000
Description	transmit message fifo message identifier

#### Register TXFIFO\_ID Details

Field Name	Bits	Type	Reset Value	Description
IDH (IDR_ID1)	31:21	wo	0x0	Standard Message ID The Identifier portion for a Standard Frame is 11 bits. These bits indicate the Standard Frame ID. This field is valid for both Standard and Extended Frames.
SRRRTR (IDR_SRR)	20	wo	0x0	Substitute Remote Transmission Request This bit differentiates between data frames and remote frames. Valid only for Standard Frames. For Extended frames this bit is 1. 1: Indicates that the message frame is a Remote Frame. 0: Indicates that the message frame is a Data Frame.

Field Name	Bits	Type	Reset Value	Description
IDE (IDR_IDE)	19	wo	0x0	Identifier Extension This bit differentiates between frames using the Standard Identifier and those using the Extended Identifier. Valid for both Standard and Extended Frames. 1: Indicates the use of an Extended Message Identifier. 0: Indicates the use of a Standard Message Identifier.
IDL (IDR_ID2)	18:1	wo	0x0	Extended Message ID This field indicates the Extended Identifier. Valid only for Extended Frames. For Standard Frames, reads from this field return 0s. For Standard Frames, writes to this field should be 0s.
RTR (IDR_RTR)	0	wo	0x0	Remote Transmission Request This bit differentiates between data frames and remote frames. Valid only for Extended Frames. 1: Indicates the message object is a Remote Frame 0: Indicates the message object is a Data Frame For Standard Frames, reads from this bit returns 0 For Standard Frames, writes to this bit should be 0

### Register ([can](#)) TXFIFO\_DLC

Name	TXFIFO_DLC
Relative Address	0x00000034
Absolute Address	can0: 0xE0008034 can1: 0xE0009034
Width	32 bits
Access Type	rw
Reset Value	0x00000000
Description	transmit message fifo data length code

#### Register TXFIFO\_DLC Details

Field Name	Bits	Type	Reset Value	Description
DLC (DLCR_DLC)	31:28	rw	0x0	Data Length Code This is the data length portion of the control field of the CAN frame. This indicates the number valid data bytes in Data Word 1 and Data Word 2 registers.
reserved	27:0	rw	0x0	reserved

### Register ([can](#)) TXFIFO\_DATA1

Name	TXFIFO_DATA1
Software Name	TXFIFO_DW1
Relative Address	0x00000038
Absolute Address	can0: 0xE0008038 can1: 0xE0009038
Width	32 bits
Access Type	rw
Reset Value	0x00000000
Description	transmit message fifo data word 1

#### Register TXFIFO\_DATA1 Details

Field Name	Bits	Type	Reset Value	Description
DB0 (DW1R_DB0)	31:24	rw	0x0	Data Byte 0 Reads from this field return invalid data if the message has no data.
DB1 (DW1R_DB1)	23:16	rw	0x0	Data Byte 1 Reads from this field return invalid data if the message has only 1 byte of data or fewer
DB2 (DW1R_DB2)	15:8	rw	0x0	Data Byte 2 Reads from this field return invalid data if the message has only 2 byte of data or fewer
DB3 (DW1R_DB3)	7:0	rw	0x0	Data Byte 3 Reads from this field return invalid data if the message has only 3 byte of data or fewer

### Register ([can](#)) TXFIFO\_DATA2

Name	TXFIFO_DATA2
Software Name	TXFIFO_DW2
Relative Address	0x0000003C
Absolute Address	can0: 0xE000803C can1: 0xE000903C
Width	32 bits
Access Type	rw
Reset Value	0x00000000
Description	transmit message fifo data word 2

Register TXFIFO\_DATA2 Details

Field Name	Bits	Type	Reset Value	Description
DB0 (DW2R_DB4)	31:24	rw	0x0	Data Byte 4 Reads from this field return invalid data if the message has only 4 byte of data or fewer
DB1 (DW2R_DB5)	23:16	rw	0x0	Data Byte 5 Reads from this field return invalid data if the message has only 5 byte of data or fewer
DB2 (DW2R_DB6)	15:8	rw	0x0	Data Byte 6 Reads from this field return invalid data if the message has only 6 byte of data or fewer
DB3 (DW2R_DB7)	7:0	rw	0x0	Data Byte 7 Reads from this field return invalid data if the message has 7 byte of data or fewer

Register ([can](#)) TXHPB\_ID

Name	TXHPB_ID
Relative Address	0x00000040
Absolute Address	can0: 0xE0008040 can1: 0xE0009040
Width	32 bits
Access Type	wo
Reset Value	0x00000000
Description	transmit high priority buffer message identifier

Register TXHPB\_ID Details

Field Name	Bits	Type	Reset Value	Description
IDH (IDR_ID1)	31:21	wo	0x0	Standard Message ID The Identifier portion for a Standard Frame is 11 bits. These bits indicate the Standard Frame ID. This field is valid for both Standard and Extended Frames.
SRRRTR (IDR_SRR)	20	wo	0x0	Substitute Remote Transmission Request This bit differentiates between data frames and remote frames. Valid only for Standard Frames. For Extended frames this bit is 1. 1: Indicates that the message frame is a Remote Frame. 0: Indicates that the message frame is a Data Frame.

Field Name	Bits	Type	Reset Value	Description
IDE (IDR_IDE)	19	wo	0x0	Identifier Extension This bit differentiates between frames using the Standard Identifier and those using the Extended Identifier. Valid for both Standard and Extended Frames. 1: Indicates the use of an Extended Message Identifier. 0: Indicates the use of a Standard Message Identifier.
IDL (IDR_ID2)	18:1	wo	0x0	Extended Message ID This field indicates the Extended Identifier. Valid only for Extended Frames. For Standard Frames, reads from this field return 0s. For Standard Frames, writes to this field should be 0s.
RTR (IDR_RTR)	0	wo	0x0	Remote Transmission Request This bit differentiates between data frames and remote frames. Valid only for Extended Frames. 1: Indicates the message object is a Remote Frame 0: Indicates the message object is a Data Frame For Standard Frames, reads from this bit returns 0 For Standard Frames, writes to this bit should be 0

### Register ([can](#)) TXHPB\_DLC

Name	TXHPB_DLC
Relative Address	0x00000044
Absolute Address	can0: 0xE0008044 can1: 0xE0009044
Width	32 bits
Access Type	rw
Reset Value	0x00000000
Description	transmit high priority buffer data length code

#### Register TXHPB\_DLC Details

Field Name	Bits	Type	Reset Value	Description
DLC (DLCR_DLC)	31:28	rw	0x0	Data Length Code This is the data length portion of the control field of the CAN frame. This indicates the number valid data bytes in Data Word 1 and Data Word 2 registers.
reserved	27:0	rw	0x0	reserved

### Register ([can](#)) TXHPB\_DATA1

Name	TXHPB_DATA1
Software Name	TXHPB_DW1
Relative Address	0x00000048
Absolute Address	can0: 0xE0008048 can1: 0xE0009048
Width	32 bits
Access Type	rw
Reset Value	0x00000000
Description	transmit high priority buffer data word 1

#### Register TXHPB\_DATA1 Details

Field Name	Bits	Type	Reset Value	Description
DB0 (DW1R_DB0)	31:24	rw	0x0	Data Byte 0 Reads from this field return invalid data if the message has no data.
DB1 (DW1R_DB1)	23:16	rw	0x0	Data Byte 1 Reads from this field return invalid data if the message has only 1 byte of data or fewer
DB2 (DW1R_DB2)	15:8	rw	0x0	Data Byte 2 Reads from this field return invalid data if the message has only 2 byte of data or fewer
DB3 (DW1R_DB3)	7:0	rw	0x0	Data Byte 3 Reads from this field return invalid data if the message has only 3 byte of data or fewer

### Register ([can](#)) TXHPB\_DATA2

Name	TXHPB_DATA2
Software Name	TXHPB_DW2
Relative Address	0x0000004C
Absolute Address	can0: 0xE000804C can1: 0xE000904C
Width	32 bits
Access Type	rw
Reset Value	0x00000000
Description	transmit high priority buffer data word 2

Register TXHPB\_DATA2 Details

Field Name	Bits	Type	Reset Value	Description
DB0 (DW2R_DB4)	31:24	rw	0x0	Data Byte 4 Reads from this field return invalid data if the message has only 4 byte of data or fewer
DB1 (DW2R_DB5)	23:16	rw	0x0	Data Byte 5 Reads from this field return invalid data if the message has only 5 byte of data or fewer
DB2 (DW2R_DB6)	15:8	rw	0x0	Data Byte 6 Reads from this field return invalid data if the message has only 6 byte of data or fewer
DB3 (DW2R_DB7)	7:0	rw	0x0	Data Byte 7 Reads from this field return invalid data if the message has 7 byte of data or fewer

Register ([can](#)) RXFIFO\_ID

Name	RXFIFO_ID
Relative Address	0x00000050
Absolute Address	can0: 0xE0008050 can1: 0xE0009050
Width	32 bits
Access Type	ro
Reset Value	x
Description	receive message fifo message identifier



Register RXFIFO\_ID Details

Field Name	Bits	Type	Reset Value	Description
IDH (IDR_ID1)	31:21	ro	x	Standard Message ID The Identifier portion for a Standard Frame is 11 bits. These bits indicate the Standard Frame ID. This field is valid for both Standard and Extended Frames.
SRRRTR (IDR_SRR)	20	ro	x	Substitute Remote Transmission Request This bit differentiates between data frames and remote frames. Valid only for Standard Frames. For Extended frames this bit is 1. 1: Indicates that the message frame is a Remote Frame. 0: Indicates that the message frame is a Data Frame.
IDE (IDR_IDE)	19	ro	x	Identifier Extension This bit differentiates between frames using the Standard Identifier and those using the Extended Identifier. Valid for both Standard and Extended Frames. 1: Indicates the use of an Extended Message Identifier. 0: Indicates the use of a Standard Message Identifier.
IDL (IDR_ID2)	18:1	ro	x	Extended Message ID This field indicates the Extended Identifier. Valid only for Extended Frames. For Standard Frames, reads from this field return 0s For Standard Frames, writes to this field should be 0s
RTR (IDR_RTR)	0	ro	x	Remote Transmission Request This bit differentiates between data frames and remote frames. Valid only for Extended Frames. 1: Indicates the message object is a Remote Frame 0: Indicates the message object is a Data Frame For Standard Frames, reads from this bit returns 0 For Standard Frames, writes to this bit should be 0

Register ([can](#)) RXFIFO\_DLC

Name RXFIFO\_DLC

Relative Address 0x00000054  
 Absolute Address can0: 0xE0008054  
 can1: 0xE0009054  
 Width 32 bits  
 Access Type rw  
 Reset Value x  
 Description receive message fifo data length code

Register RXFIFO\_DLC Details

Field Name	Bits	Type	Reset Value	Description
DLC (DLCR_DLC)	31:28	rw	x	Data Length Code This is the data length portion of the control field of the CAN frame. This indicates the number valid data bytes in Data Word 1 and Data Word 2 registers.
reserved	27:16	rw	x	reserved
RXT	15:0	rw	x	RX Timestamp

Register ([can](#)) RXFIFO\_DATA1

Name RXFIFO\_DATA1  
 Software Name RXFIFO\_DW1  
 Relative Address 0x00000058  
 Absolute Address can0: 0xE0008058  
 can1: 0xE0009058  
 Width 32 bits  
 Access Type rw  
 Reset Value x  
 Description receive message fifo data word 1

Register RXFIFO\_DATA1 Details

Field Name	Bits	Type	Reset Value	Description
DB0 (DW1R_DB0)	31:24	rw	x	Data Byte 0 Reads from this field return invalid data if the message has no data.
DB1 (DW1R_DB1)	23:16	rw	x	Data Byte 1 Reads from this field return invalid data if the message has only 1 byte of data or fewer

Field Name	Bits	Type	Reset Value	Description
DB2 (DW1R_DB2)	15:8	rw	x	Data Byte 2 Reads from this field return invalid data if the message has only 2 byte of data or fewer
DB3 (DW1R_DB3)	7:0	rw	x	Data Byte 3 Reads from this field return invalid data if the message has only 3 byte of data or fewer

### Register ([can](#)) RXFIFO\_DATA2

Name	RXFIFO_DATA2
Software Name	RXFIFO_DW2
Relative Address	0x0000005C
Absolute Address	can0: 0xE000805C can1: 0xE000905C
Width	32 bits
Access Type	rw
Reset Value	x
Description	receive message fifo data word 2

### Register RXFIFO\_DATA2 Details

Field Name	Bits	Type	Reset Value	Description
DB0 (DW2R_DB4)	31:24	rw	x	Data Byte 4 Reads from this field return invalid data if the message has only 4 byte of data or fewer
DB1 (DW2R_DB5)	23:16	rw	x	Data Byte 5 Reads from this field return invalid data if the message has only 5 byte of data or fewer
DB2 (DW2R_DB6)	15:8	rw	x	Data Byte 6 Reads from this field return invalid data if the message has only 6 byte of data or fewer
DB3 (DW2R_DB7)	7:0	rw	x	Data Byte 7 Reads from this field return invalid data if the message has 7 byte of data or fewer

### Register ([can](#)) AFR

Name	AFR
Relative Address	0x00000060

Absolute Address	can0: 0xE0008060 can1: 0xE0009060
Width	32 bits
Access Type	rw
Reset Value	0x00000000
Description	Acceptance Filter Register

### Register AFR Details

The Acceptance Filter Register (AFR) defines which acceptance filters to use. Each Acceptance Filter ID Register (AFIR) and Acceptance Filter Mask Register (AFMR) pair is associated with a UAF bit.

When the UAF bit is '1,' the corresponding acceptance filter pair is used for acceptance filtering. When the UAF bit is '0,' the corresponding acceptance filter pair is not used for acceptance filtering.

To modify an acceptance filter pair in Normal mode, the corresponding UAF bit in this register must be set to '0.' After the acceptance filter is modified, the corresponding UAF bit must be set to '1.' The following conditions govern the number of UAF bits that can exist in the.

\* If all UAF bits are set to '0,' then all received messages are stored in the RX FIFO

\* If the UAF bits are changed from a '1' to '0' during reception of a CAN message, the message may not be stored in the RX FIFO.

Field Name	Bits	Type	Reset Value	Description
reserved	31:4	rw	0x0	reserved
UAF4	3	rw	0x0	Use Acceptance Filter Number 4 Enables the use of acceptance filter pair 4. 1: Indicates Acceptance Filter Mask Register 4 and Acceptance Filter ID Register 4 are used for acceptance filtering. 0: Indicates Acceptance Filter Mask Register 4 and Acceptance Filter ID Register 4 are not used for acceptance filtering.
UAF3	2	rw	0x0	Use Acceptance Filter Number 3 Enables the use of acceptance filter pair 3. 1: Indicates Acceptance Filter Mask Register 3 and Acceptance Filter ID Register 3 are used for acceptance filtering. 0: Indicates Acceptance Filter Mask Register 3 and Acceptance Filter ID Register 3 are not used for acceptance filtering.

Field Name	Bits	Type	Reset Value	Description
UAF2	1	rw	0x0	Use Acceptance Filter Number 2 Enables the use of acceptance filter pair 2. 1: Indicates Acceptance Filter Mask Register 2 and Acceptance Filter ID Register 2 are used for acceptance filtering. 0: Indicates Acceptance Filter Mask Register 2 and Acceptance Filter ID Register 2 are not used for acceptance filtering.
UAF1	0	rw	0x0	Use Acceptance Filter Number 1. Enables the use of acceptance filter pair 1. 1: Indicates Acceptance Filter Mask Register 1 and Acceptance Filter ID Register 1 are used for acceptance filtering. 0: Indicates Acceptance Filter Mask Register 1 and Acceptance Filter ID Register 1 are not used for acceptance filtering.

### Register ([can](#)) AFMR1

Name	AFMR1
Relative Address	0x00000064
Absolute Address	can0: 0xE0008064 can1: 0xE0009064
Width	32 bits
Access Type	rw
Reset Value	x
Description	Acceptance Filter Mask Register 1

## Register AFMR1 Details

Field Name	Bits	Type	Reset Value	Description
AMIDH	31:21	rw	x	Standard Message ID Mask These bits are used for masking the Identifier in a Standard Frame. 1: Indicates the corresponding bit in Acceptance Mask ID Register is used when comparing the incoming message identifier. 0: Indicates the corresponding bit in Acceptance Mask ID Register is not used when comparing the incoming message identifier.
AMSRR	20	rw	x	Substitute Remote Transmission Request Mask This bit is used for masking the RTR bit in a Standard Frame. 1: Indicates the corresponding bit in Acceptance Mask ID Register is used when comparing the incoming message identifier. 0: Indicates the corresponding bit in Acceptance Mask ID Register is not used when comparing the incoming message identifier.
AMIDE	19	rw	x	Identifier Extension Mask Used for masking the IDE bit in CAN frames. 1: Indicates the corresponding bit in Acceptance Mask ID Register is used when comparing the incoming message identifier. 0: Indicates the corresponding bit in Acceptance Mask ID Register is not used when comparing the incoming message identifier. If AMIDE = 1 and the AIIDE bit in the corresponding Acceptance ID register is 0, this mask is applicable to only Standard frames. If AMIDE = 1 and the AIIDE bit in the corresponding Acceptance ID register is 1, this mask is applicable to only extended frames. If AMIDE = 0 this mask is applicable to Standard frame.

Field Name	Bits	Type	Reset Value	Description
AMIDL	18:1	rw	x	<p>Extended Message ID Mask</p> <p>These bits are used for masking the Identifier in an Extended Frame.</p> <p>1: Indicates the corresponding bit in Acceptance Mask ID Register is used when comparing the incoming message identifier.</p> <p>0: Indicates the corresponding bit in Acceptance Mask ID Register is not used when comparing the incoming message identifier.</p>
AMRTR	0	rw	x	<p>Remote Transmission Request Mask.</p> <p>This bit is used for masking the RTR bit in an Extended Frame.</p> <p>1: Indicates the corresponding bit in Acceptance Mask ID Register is used when comparing the incoming message identifier.</p> <p>0: Indicates the corresponding bit in Acceptance Mask ID Register is not used when comparing the incoming message identifier.</p>

### Register ([can](#)) AFIR1

Name	AFIR1
Relative Address	0x00000068
Absolute Address	can0: 0xE0008068 can1: 0xE0009068
Width	32 bits
Access Type	rw
Reset Value	x
Description	Acceptance Filter ID Register 1

#### Register AFIR1 Details

Field Name	Bits	Type	Reset Value	Description
AIIDH	31:21	rw	x	<p>Standard Message ID</p> <p>Standard Identifier</p>
AISRR	20	rw	x	<p>Substitute Remote Transmission Request</p> <p>Indicates the Remote Transmission Request bit for Standard frames</p>
AIIDE	19	rw	x	<p>Identifier Extension</p> <p>Differentiates between Standard and Extended frames</p>

Field Name	Bits	Type	Reset Value	Description
AIIDL	18:1	rw	x	Extended Message ID Mask Extended Identifier
AIRTR	0	rw	x	Remote Transmission Request Mask RTR bit for Extended frames.

### Register ([can](#)) AFMR2

Name	AFMR2
Relative Address	0x0000006C
Absolute Address	can0: 0xE000806C can1: 0xE000906C
Width	32 bits
Access Type	rw
Reset Value	x
Description	Acceptance Filter Mask Register 2

#### Register AFMR2 Details

Field Name	Bits	Type	Reset Value	Description
AMIDH	31:21	rw	x	Standard Message ID Mask These bits are used for masking the Identifier in a Standard Frame. 1: Indicates the corresponding bit in Acceptance Mask ID Register is used when comparing the incoming message identifier. 0: Indicates the corresponding bit in Acceptance Mask ID Register is not used when comparing the incoming message identifier.
AMSRR	20	rw	x	Substitute Remote Transmission Request Mask This bit is used for masking the RTR bit in a Standard Frame. 1: Indicates the corresponding bit in Acceptance Mask ID Register is used when comparing the incoming message identifier. 0: Indicates the corresponding bit in Acceptance Mask ID Register is not used when comparing the incoming message identifier.



Field Name	Bits	Type	Reset Value	Description
AMIDE	19	rw	x	<p>Identifier Extension Mask</p> <p>Used for masking the IDE bit in CAN frames.</p> <p>1: Indicates the corresponding bit in Acceptance Mask ID Register is used when comparing the incoming message identifier.</p> <p>0: Indicates the corresponding bit in Acceptance Mask ID Register is not used when comparing the incoming message identifier.</p> <p>If AMIDE = 1 and the AIIDE bit in the corresponding Acceptance ID register is 0, this mask is applicable to only Standard frames.</p> <p>If AMIDE = 1 and the AIIDE bit in the corresponding Acceptance ID register is 1, this mask is applicable to only extended frames.</p> <p>If AMIDE = 0 this mask is applicable to Standard frame.</p>
AMIDL	18:1	rw	x	<p>Extended Message ID Mask</p> <p>These bits are used for masking the Identifier in an Extended Frame.</p> <p>1: Indicates the corresponding bit in Acceptance Mask ID Register is used when comparing the incoming message identifier.</p> <p>0: Indicates the corresponding bit in Acceptance Mask ID Register is not used when comparing the incoming message identifier.</p>
AMRTR	0	rw	x	<p>Remote Transmission Request Mask.</p> <p>This bit is used for masking the RTR bit in an Extended Frame.</p> <p>1: Indicates the corresponding bit in Acceptance Mask ID Register is used when comparing the incoming message identifier.</p> <p>0: Indicates the corresponding bit in Acceptance Mask ID Register is not used when comparing the incoming message identifier.</p>

### Register ([can](#)) AFIR2

Name	AFIR2
Relative Address	0x00000070
Absolute Address	can0: 0xE0008070 can1: 0xE0009070
Width	32 bits
Access Type	rw
Reset Value	x

Description Acceptance Filter ID Register 2

Register AFIR2 Details

Field Name	Bits	Type	Reset Value	Description
AIIDH	31:21	rw	x	Standard Message ID Standard Identifier
AISRR	20	rw	x	Substitute Remote Transmission Request Indicates the Remote Transmission Request bit for Standard frames
AIIDE	19	rw	x	Identifier Extension Differentiates between Standard and Extended frames
AIIDL	18:1	rw	x	Extended Message ID Mask Extended Identifier
AIRTR	0	rw	x	Remote Transmission Request Mask RTR bit for Extended frames.

Register ([can](#)) AFMR3

Name AFMR3  
 Relative Address 0x00000074  
 Absolute Address can0: 0xE0008074  
 can1: 0xE0009074  
 Width 32 bits  
 Access Type rw  
 Reset Value x  
 Description Acceptance Filter Mask Register 3

## Register AFMR3 Details

Field Name	Bits	Type	Reset Value	Description
AMIDH	31:21	rw	x	Standard Message ID Mask These bits are used for masking the Identifier in a Standard Frame. 1: Indicates the corresponding bit in Acceptance Mask ID Register is used when comparing the incoming message identifier. 0: Indicates the corresponding bit in Acceptance Mask ID Register is not used when comparing the incoming message identifier.
AMSRR	20	rw	x	Substitute Remote Transmission Request Mask This bit is used for masking the RTR bit in a Standard Frame. 1: Indicates the corresponding bit in Acceptance Mask ID Register is used when comparing the incoming message identifier. 0: Indicates the corresponding bit in Acceptance Mask ID Register is not used when comparing the incoming message identifier.
AMIDE	19	rw	x	Identifier Extension Mask Used for masking the IDE bit in CAN frames. 1: Indicates the corresponding bit in Acceptance Mask ID Register is used when comparing the incoming message identifier. 0: Indicates the corresponding bit in Acceptance Mask ID Register is not used when comparing the incoming message identifier. If AMIDE = 1 and the AIIDE bit in the corresponding Acceptance ID register is 0, this mask is applicable to only Standard frames. If AMIDE = 1 and the AIIDE bit in the corresponding Acceptance ID register is 1, this mask is applicable to only extended frames. If AMIDE = 0 this mask is applicable to Standard frame.

Field Name	Bits	Type	Reset Value	Description
AMIDL	18:1	rw	x	<p>Extended Message ID Mask</p> <p>These bits are used for masking the Identifier in an Extended Frame.</p> <p>1: Indicates the corresponding bit in Acceptance Mask ID Register is used when comparing the incoming message identifier.</p> <p>0: Indicates the corresponding bit in Acceptance Mask ID Register is not used when comparing the incoming message identifier.</p>
AMRTR	0	rw	x	<p>Remote Transmission Request Mask.</p> <p>This bit is used for masking the RTR bit in an Extended Frame.</p> <p>1: Indicates the corresponding bit in Acceptance Mask ID Register is used when comparing the incoming message identifier.</p> <p>0: Indicates the corresponding bit in Acceptance Mask ID Register is not used when comparing the incoming message identifier.</p>

### Register ([can](#)) AFIR3

Name	AFIR3
Relative Address	0x00000078
Absolute Address	can0: 0xE0008078 can1: 0xE0009078
Width	32 bits
Access Type	rw
Reset Value	x
Description	Acceptance Filter ID Register 3

#### Register AFIR3 Details

Field Name	Bits	Type	Reset Value	Description
AIIDH	31:21	rw	x	<p>Standard Message ID</p> <p>Standard Identifier</p>
AISRR	20	rw	x	<p>Substitute Remote Transmission Request</p> <p>Indicates the Remote Transmission Request bit for Standard frames</p>
AIIDE	19	rw	x	<p>Identifier Extension</p> <p>Differentiates between Standard and Extended frames</p>

Field Name	Bits	Type	Reset Value	Description
AIIDL	18:1	rw	x	Extended Message ID Mask Extended Identifier
AIRTR	0	rw	x	Remote Transmission Request Mask RTR bit for Extended frames.

### Register ([can](#)) AFMR4

Name	AFMR4
Relative Address	0x0000007C
Absolute Address	can0: 0xE000807C can1: 0xE000907C
Width	32 bits
Access Type	rw
Reset Value	x
Description	Acceptance Filter Mask Register 4

#### Register AFMR4 Details

Field Name	Bits	Type	Reset Value	Description
AMIDH	31:21	rw	x	Standard Message ID Mask These bits are used for masking the Identifier in a Standard Frame. 1: Indicates the corresponding bit in Acceptance Mask ID Register is used when comparing the incoming message identifier. 0: Indicates the corresponding bit in Acceptance Mask ID Register is not used when comparing the incoming message identifier.
AMSRR	20	rw	x	Substitute Remote Transmission Request Mask This bit is used for masking the RTR bit in a Standard Frame. 1: Indicates the corresponding bit in Acceptance Mask ID Register is used when comparing the incoming message identifier. 0: Indicates the corresponding bit in Acceptance Mask ID Register is not used when comparing the incoming message identifier.

Field Name	Bits	Type	Reset Value	Description
AMIDE	19	rw	x	<p>Identifier Extension Mask</p> <p>Used for masking the IDE bit in CAN frames.</p> <p>1: Indicates the corresponding bit in Acceptance Mask ID Register is used when comparing the incoming message identifier.</p> <p>0: Indicates the corresponding bit in Acceptance Mask ID Register is not used when comparing the incoming message identifier.</p> <p>If AMIDE = 1 and the AIIDE bit in the corresponding Acceptance ID register is 0, this mask is applicable to only Standard frames.</p> <p>If AMIDE = 1 and the AIIDE bit in the corresponding Acceptance ID register is 1, this mask is applicable to only extended frames.</p> <p>If AMIDE = 0 this mask is applicable to Standard frame.</p>
AMIDL	18:1	rw	x	<p>Extended Message ID Mask</p> <p>These bits are used for masking the Identifier in an Extended Frame.</p> <p>1: Indicates the corresponding bit in Acceptance Mask ID Register is used when comparing the incoming message identifier.</p> <p>0: Indicates the corresponding bit in Acceptance Mask ID Register is not used when comparing the incoming message identifier.</p>
AMRTR	0	rw	x	<p>Remote Transmission Request Mask.</p> <p>This bit is used for masking the RTR bit in an Extended Frame.</p> <p>1: Indicates the corresponding bit in Acceptance Mask ID Register is used when comparing the incoming message identifier.</p> <p>0: Indicates the corresponding bit in Acceptance Mask ID Register is not used when comparing the incoming message identifier.</p>

### Register ([can](#)) AFIR4

Name	AFIR4
Relative Address	0x00000080
Absolute Address	can0: 0xE0008080 can1: 0xE0009080
Width	32 bits
Access Type	rw
Reset Value	x

Description                      Acceptance Filter ID Register 4

## Register AFIR4 Details

Field Name	Bits	Type	Reset Value	Description
AIIDH	31:21	rw	x	Standard Message ID Standard Identifier
AISRR	20	rw	x	Substitute Remote Transmission Request Indicates the Remote Transmission Request bit for Standard frames
AIIDE	19	rw	x	Identifier Extension Differentiates between Standard and Extended frames
AIIDL	18:1	rw	x	Extended Message ID Mask Extended Identifier
AIRTR	0	rw	x	Remote Transmission Request Mask RTR bit for Extended frames.

## B.6 DDR Memory Controller (ddrc)

Module Name	DDR Memory Controller (ddrc)
Base Address	0xF8006000 ddrc
Description	DDR memory controller
Vendor Info	Virage Logic/Synopsys

### Register Summary

Register Name	Address	Width	Type	Reset Value	Description
<a href="#">ddrc_ctrl</a>	0x00000000	32	rw	0x00000200	DDRC Control
<a href="#">Two_rank_cfg</a>	0x00000004	29	rw	0x000C1076	Two Rank Configuration
<a href="#">HPR_reg</a>	0x00000008	26	rw	0x03C0780F	HPR Queue control
<a href="#">LPR_reg</a>	0x0000000C	26	rw	0x03C0780F	LPR Queue control
<a href="#">WR_reg</a>	0x00000010	26	rw	0x0007F80F	WR Queue control
<a href="#">DRAM_param_reg0</a>	0x00000014	21	rw	0x00041016	DRAM Parameters 0
<a href="#">DRAM_param_reg1</a>	0x00000018	32	rw	0x351B48D9	DRAM Parameters 1
<a href="#">DRAM_param_reg2</a>	0x0000001C	32	rw	0x83015904	DRAM Parameters 2
<a href="#">DRAM_param_reg3</a>	0x00000020	32	mixed	0x250882D0	DRAM Parameters 3
<a href="#">DRAM_param_reg4</a>	0x00000024	28	mixed	0x0000003C	DRAM Parameters 4
<a href="#">DRAM_init_param</a>	0x00000028	14	rw	0x00002007	DRAM Initialization Parameters
<a href="#">DRAM_EMR_reg</a>	0x0000002C	32	rw	0x00000008	DRAM EMR2, EMR3 access
<a href="#">DRAM_EMR_MR_reg</a>	0x00000030	32	rw	0x00000940	DRAM EMR, MR access
<a href="#">DRAM_burst8_rdwr</a>	0x00000034	29	mixed	0x00020034	DRAM Burst 8 read/write
<a href="#">DRAM_disable_DQ</a>	0x00000038	13	mixed	0x00000000	DRAM Disable DQ
<a href="#">DRAM_addr_map_bank</a>	0x0000003C	20	rw	0x00000F77	Row/Column address bits
<a href="#">DRAM_addr_map_col</a>	0x00000040	32	rw	0xFFF00000	Column address bits
<a href="#">DRAM_addr_map_row</a>	0x00000044	28	rw	0x0FF55555	Select DRAM row address bits
<a href="#">DRAM_ODT_reg</a>	0x00000048	30	rw	0x00000249	DRAM ODT control
<a href="#">phy_dbg_reg</a>	0x0000004C	20	ro	0x00000000	PHY debug
<a href="#">phy_cmd_timeout_rddata_cpt</a>	0x00000050	32	mixed	0x00010200	PHY command time out and read data capture FIFO
<a href="#">mode_sts_reg</a>	0x00000054	21	ro	0x00000000	Controller operation mode status



Register Name	Address	Width	Type	Reset Value	Description
<a href="#">DLL_calib</a>	0x00000058	17	rw	0x00000101	DLL calibration
<a href="#">ODT_delay_hold</a>	0x0000005C	16	rw	0x00000023	ODT delay and ODT hold
<a href="#">ctrl_reg1</a>	0x00000060	13	mixed	0x0000003E	Controller 1
<a href="#">ctrl_reg2</a>	0x00000064	18	mixed	0x00020000	Controller 2
<a href="#">ctrl_reg3</a>	0x00000068	26	rw	0x00284027	Controller 3
<a href="#">ctrl_reg4</a>	0x0000006C	16	rw	0x00001610	Controller 4
<a href="#">ctrl_reg5</a>	0x00000078	32	mixed	0x00455111	Controller register 5
<a href="#">ctrl_reg6</a>	0x0000007C	32	mixed	0x00032222	Controller register 6
<a href="#">CHE_REFRESH_TIME_R01</a>	0x000000A0	24	rw	0x00008000	CHE_REFRESH_TIMER01
<a href="#">CHE_T_ZQ</a>	0x000000A4	32	rw	0x10300802	ZQ parameters
<a href="#">CHE_T_ZQ_Short_Inteval_Reg</a>	0x000000A8	28	rw	0x0020003A	Misc parameters
<a href="#">deep_pwrdown_reg</a>	0x000000AC	9	rw	0x00000000	Deep powerdown (LPDDR2)
<a href="#">reg_2c</a>	0x000000B0	29	mixed	0x00000000	Training control
<a href="#">reg_2d</a>	0x000000B4	11	rw	0x00000200	Misc Debug
<a href="#">dfi_timing</a>	0x000000B8	25	rw	0x00200067	DFI timing
<a href="#">CHE_ECC_CONTROL_REG_OFFSET</a>	0x000000C4	2	rw	0x00000000	ECC error clear
<a href="#">CHE_CORR_ECC_LOG_REG_OFFSET</a>	0x000000C8	8	mixed	0x00000000	ECC error correction
<a href="#">CHE_CORR_ECC_ADDR_REG_OFFSET</a>	0x000000CC	31	ro	0x00000000	ECC error correction address log
<a href="#">CHE_CORR_ECC_DATA_31_0_REG_OFFSET</a>	0x000000D0	32	ro	0x00000000	ECC error correction data log low
<a href="#">CHE_CORR_ECC_DATA_63_32_REG_OFFSET</a>	0x000000D4	32	ro	0x00000000	ECC error correction data log mid
<a href="#">CHE_CORR_ECC_DATA_71_64_REG_OFFSET</a>	0x000000D8	8	ro	0x00000000	ECC error correction data log high
<a href="#">CHE_UNCORR_ECC_LOG_REG_OFFSET</a>	0x000000DC	1	clon wr	0x00000000	ECC unrecoverable error status
<a href="#">CHE_UNCORR_ECC_ADDR_REG_OFFSET</a>	0x000000E0	31	ro	0x00000000	ECC unrecoverable error address
<a href="#">CHE_UNCORR_ECC_DATA_31_0_REG_OFFSET</a>	0x000000E4	32	ro	0x00000000	ECC unrecoverable error data low

Register Name	Address	Width	Type	Reset Value	Description
<a href="#">CHE_UNCORR_ECC_DATA_63_32_REG_OF_FSET</a>	0x000000E8	32	ro	0x00000000	ECC unrecoverable error data middle
<a href="#">CHE_UNCORR_ECC_DATA_71_64_REG_OF_FSET</a>	0x000000EC	8	ro	0x00000000	ECC unrecoverable error data high
<a href="#">CHE_ECC_STATS_REG_OFFSET</a>	0x000000F0	16	clon wr	0x00000000	ECC error count
<a href="#">ECC_scrub</a>	0x000000F4	4	rw	0x00000008	ECC mode/scrub
<a href="#">CHE_ECC_CORR_BIT_MASK_31_0_REG_OF_FSET</a>	0x000000F8	32	ro	0x00000000	ECC data mask low
<a href="#">CHE_ECC_CORR_BIT_MASK_63_32_REG_OF_FSET</a>	0x000000FC	32	ro	0x00000000	ECC data mask high
<a href="#">phy_rcvr_enable</a>	0x00000114	8	rw	0x00000000	Phy receiver enable register
<a href="#">PHY_Config0</a>	0x00000118	31	rw	0x40000001	PHY configuration register for data slice 0.
<a href="#">PHY_Config1</a>	0x0000011C	31	rw	0x40000001	PHY configuration register for data slice 1.
<a href="#">PHY_Config2</a>	0x00000120	31	rw	0x40000001	PHY configuration register for data slice 2.
<a href="#">PHY_Config3</a>	0x00000124	31	rw	0x40000001	PHY configuration register for data slice 3.
<a href="#">phy_init_ratio0</a>	0x0000012C	20	rw	0x00000000	PHY init ratio register for data slice 0.
<a href="#">phy_init_ratio1</a>	0x00000130	20	rw	0x00000000	PHY init ratio register for data slice 1.
<a href="#">phy_init_ratio2</a>	0x00000134	20	rw	0x00000000	PHY init ratio register for data slice 2.
<a href="#">phy_init_ratio3</a>	0x00000138	20	rw	0x00000000	PHY init ratio register for data slice 3.
<a href="#">phy_rd_dqs_cfg0</a>	0x00000140	20	rw	0x00000040	PHY read DQS configuration register for data slice 0.
<a href="#">phy_rd_dqs_cfg1</a>	0x00000144	20	rw	0x00000040	PHY read DQS configuration register for data slice 1.
<a href="#">phy_rd_dqs_cfg2</a>	0x00000148	20	rw	0x00000040	PHY read DQS configuration register for data slice 2.
<a href="#">phy_rd_dqs_cfg3</a>	0x0000014C	20	rw	0x00000040	PHY read DQS configuration register for data slice 3.
<a href="#">phy_wr_dqs_cfg0</a>	0x00000154	20	rw	0x00000000	PHY write DQS configuration register for data slice 0.

Register Name	Address	Width	Type	Reset Value	Description
<a href="#">phy_wr_dqs_cfg1</a>	0x00000158	20	rw	0x00000000	PHY write DQS configuration register for data slice 1.
<a href="#">phy_wr_dqs_cfg2</a>	0x0000015C	20	rw	0x00000000	PHY write DQS configuration register for data slice 2.
<a href="#">phy_wr_dqs_cfg3</a>	0x00000160	20	rw	0x00000000	PHY write DQS configuration register for data slice 3.
<a href="#">phy_we_cfg0</a>	0x00000168	21	rw	0x00000040	PHY FIFO write enable configuration for data slice 0.
<a href="#">phy_we_cfg1</a>	0x0000016C	21	rw	0x00000040	PHY FIFO write enable configuration for data slice 1.
<a href="#">phy_we_cfg2</a>	0x00000170	21	rw	0x00000040	PHY FIFO write enable configuration for data slice 2.
<a href="#">phy_we_cfg3</a>	0x00000174	21	rw	0x00000040	PHY FIFO write enable configuration for data slice 3.
<a href="#">wr_data_slv0</a>	0x0000017C	20	rw	0x00000080	PHY write data slave ratio config for data slice 0.
<a href="#">wr_data_slv1</a>	0x00000180	20	rw	0x00000080	PHY write data slave ratio config for data slice 1.
<a href="#">wr_data_slv2</a>	0x00000184	20	rw	0x00000080	PHY write data slave ratio config for data slice 2.
<a href="#">wr_data_slv3</a>	0x00000188	20	rw	0x00000080	PHY write data slave ratio config for data slice 3.
<a href="#">reg_64</a>	0x00000190	32	rw	0x10020000	Training control 2
<a href="#">reg_65</a>	0x00000194	20	rw	0x00000000	Training control 3
<a href="#">reg69_6a0</a>	0x000001A4	29	ro	0x00070000	Training results for data slice %d.
<a href="#">reg69_6a1</a>	0x000001A8	29	ro	0x00060200	Training results for data slice %d.
<a href="#">reg6c_6d2</a>	0x000001B0	28	ro	0x00040600	Training results for data slice %d.
<a href="#">reg6c_6d3</a>	0x000001B4	28	ro	0x00000E00	Training results for data slice %d.
<a href="#">reg6e_710</a>	0x000001B8	30	ro	x	Training results (2) for data slice 0.
<a href="#">reg6e_711</a>	0x000001BC	30	ro	x	Training results (2) for data slice 1.
<a href="#">reg6e_712</a>	0x000001C0	30	ro	x	Training results (2) for data slice 2.
<a href="#">reg6e_713</a>	0x000001C4	30	ro	x	Training results (2) for data slice 3.

Register Name	Address	Width	Type	Reset Value	Description
<a href="#">phy_dll_sts0</a>	0x000001CC	27	ro	0x00000000	Slave DLL results for data slice 0.
<a href="#">phy_dll_sts1</a>	0x000001D0	27	ro	0x00000000	Slave DLL results for data slice 1.
<a href="#">phy_dll_sts2</a>	0x000001D4	27	ro	0x00000000	Slave DLL results for data slice 2.
<a href="#">phy_dll_sts3</a>	0x000001D8	27	ro	0x00000000	Slave DLL results for data slice 3.
<a href="#">dll_lock_sts</a>	0x000001E0	24	ro	0x00F00000	DLL Lock Status, read
<a href="#">phy_ctrl_sts</a>	0x000001E4	30	ro	x	PHY Control status, read
<a href="#">phy_ctrl_sts_reg2</a>	0x000001E8	27	ro	0x00000013	PHY Control status (2), read
<a href="#">axi_id</a>	0x00000200	26	ro	0x00153042	ID and revision information
<a href="#">page_mask</a>	0x00000204	32	rw	0x00000000	Page mask
<a href="#">axi_priority_wr_port0</a>	0x00000208	20	mixed	0x000803FF	AXI Priority control for write port 0.
<a href="#">axi_priority_wr_port1</a>	0x0000020C	20	mixed	0x000803FF	AXI Priority control for write port 1.
<a href="#">axi_priority_wr_port2</a>	0x00000210	20	mixed	0x000803FF	AXI Priority control for write port 2.
<a href="#">axi_priority_wr_port3</a>	0x00000214	20	mixed	0x000803FF	AXI Priority control for write port 3.
<a href="#">axi_priority_rd_port0</a>	0x00000218	20	mixed	0x000003FF	AXI Priority control for read port 0.
<a href="#">axi_priority_rd_port1</a>	0x0000021C	20	mixed	0x000003FF	AXI Priority control for read port 1.
<a href="#">axi_priority_rd_port2</a>	0x00000220	20	mixed	0x000003FF	AXI Priority control for read port 2.
<a href="#">axi_priority_rd_port3</a>	0x00000224	20	mixed	0x000003FF	AXI Priority control for read port 3.
<a href="#">excl_access_cfg0</a>	0x00000294	18	rw	0x00000000	Exclusive access configuration for port 0.
<a href="#">excl_access_cfg1</a>	0x00000298	18	rw	0x00000000	Exclusive access configuration for port 1.
<a href="#">excl_access_cfg2</a>	0x0000029C	18	rw	0x00000000	Exclusive access configuration for port 2.
<a href="#">excl_access_cfg3</a>	0x000002A0	18	rw	0x00000000	Exclusive access configuration for port 3.
<a href="#">mode_reg_read</a>	0x000002A4	32	ro	0x00000000	Mode register read data
<a href="#">lpddr_ctrl0</a>	0x000002A8	12	rw	0x00000000	LPDDR2 Control 0
<a href="#">lpddr_ctrl1</a>	0x000002AC	32	rw	0x00000000	LPDDR2 Control 1

Register Name	Address	Width	Type	Reset Value	Description
<a href="#">lpddr_ctrl2</a>	0x000002B0	22	rw	0x003C0015	LPDDR2 Control 2
<a href="#">lpddr_ctrl3</a>	0x000002B4	18	rw	0x00000601	LPDDR2 Control 3

### Register ([ddrc](#)) ddrctl

Name	ddrc_ctrl
Relative Address	0x00000000
Absolute Address	0xF8006000
Width	32 bits
Access Type	rw
Reset Value	0x00000200
Description	DDRC Control

#### Register ddrctl Details

Field Name	Bits	Type	Reset Value	Description
reserved	31:17	rw	0x0	reserved
reg_ddrc_dis_auto_refresh	16	rw	0x0	Disable auto-refresh. 0: do not disable auto-refresh. 1: disable auto-refresh. Dynamic Bit Field. Note: When this transitions from 0 to 1, any pending refreshes will be immediately scheduled by the controller.
reg_ddrc_dis_act_bypass	15	rw	0x0	Only present in designs supporting activate bypass. For Debug only. 0: Do not disable bypass path for high priority read activates. 1: disable bypass path for high priority read activates.
reg_ddrc_dis_rd_bypass	14	rw	0x0	Only present in designs supporting read bypass. For Debug only. 0: Do not disable bypass path for high priority read page hits. 1: disable bypass path for high priority read page hits.

Field Name	Bits	Type	Reset Value	Description
reg_ddrc_rdwr_idle_ga p	13:7	rw	0x4	When the preferred transaction store is empty for this many clock cycles, switch to the alternate transaction store if it is non-empty. The read transaction store (both high and low priority) is the default preferred transaction store and the write transaction store is the alternate store. When 'Prefer write over read' is set this is reversed.
reg_ddrc_burst8_refres h	6:4	rw	0x0	Refresh timeout. Programmed value plus one will be the number of refresh timeouts that will be allowed to accumulate before traffic is blocked and the refreshes are forced to execute. Closing pages to perform a refresh is a one-time penalty that must be paid for each group of refreshes; therefore, performing refreshes in a burst reduces the per-refresh penalty of these page closings. Higher numbers for burst_of_N_refresh slightly increases utilization; lower numbers decreases the worst-case latency associated with refreshes. 0: single refresh 1: burst-of-2 ... 7: burst-of-8 refresh
reg_ddrc_data_bus_wi dth	3:2	rw	0x0	DDR bus width control 00: 32-bit 01: 16-bit 1x: reserved
reg_ddrc_powerdown_ en	1	rw	0x0	Controller power down control. Update during normal operation. Enable the controller to powerdown after it becomes idle. Dynamic Bit Field. 0: disable 1: enable
reg_ddrc_soft_rstb	0	rw	0x0	Active low soft reset. Update during normal operation. 0: Resets the controller 1: Takes the controller out of reset. Dynamic Bit Field. Note: Software changes DRAM controller register values only when the controller is in the reset state, except for bit fields that can be dynamically updated.

### Register ([ddrc](#)) Two\_rank\_cfg

Name Two\_rank\_cfg

Relative Address 0x00000004  
 Absolute Address 0xF8006004  
 Width 29 bits  
 Access Type rw  
 Reset Value 0x000C1076  
 Description Two Rank Configuration

**Register Two\_rank\_cfg Details**

Most of this register only applies to a dual rank DRAM system

Field Name	Bits	Type	Reset Value	Description
reserved	28	rw	0x0	Reserved. Do not modify.
reserved	27	rw	0x0	Reserved. Do not modify.
reserved	26:22	rw	0x0	Reserved. Do not modify.
reserved	21	rw	0x0	Reserved. Do not modify.
reserved	20:19	rw	0x1	Reserved. Do not modify.
reg_ddrc_addrmap_cs_bit0	18:14	rw	0x10	Must be manually set to 0x0
reserved	13:12	rw	0x1	Reserved. Do not modify.
reg_ddrc_t_rfc_nom_x32	11:0	rw	0x76	tREFI - Average time between refreshes. Unit: in multiples of 32 clocks. DRAM related. Default value is set for DDR3. Dynamic Bit Field.

**Register ([ddrc](#)) HPR\_reg**

Name HPR\_reg  
 Relative Address 0x00000008  
 Absolute Address 0xF8006008  
 Width 26 bits  
 Access Type rw  
 Reset Value 0x03C0780F  
 Description HPR Queue control

Register HPR\_reg Details

Field Name	Bits	Type	Reset Value	Description
reg_ddrc_hpr_xact_run_length	25:22	rw	0xF	Number of transactions that will be serviced once the HPR queue goes critical is the smaller of this number and the number of transactions available.
reg_ddrc_hpr_max_starve_x32	21:11	rw	0xF	Number of clocks that the HPR queue can be starved before it goes critical. Unit: 32 clocks
reg_ddrc_hpr_min_non_critical_x32	10:0	rw	0xF	Number of counts that the HPR queue is guaranteed to be non-critical (1 count = 32 DDR clocks).

Register ([ddrc](#)) LPR\_reg

Name	LPR_reg
Relative Address	0x0000000C
Absolute Address	0xF800600C
Width	26 bits
Access Type	rw
Reset Value	0x03C0780F
Description	LPR Queue control

Register LPR\_reg Details

Field Name	Bits	Type	Reset Value	Description
reg_ddrc_lpr_xact_run_length	25:22	rw	0xF	Number of transactions that will be serviced once the LPR queue goes critical is the smaller of this number and the number of transactions available
reg_ddrc_lpr_max_starve_x32	21:11	rw	0xF	Number of clocks that the LPR queue can be starved before it goes critical. Unit: 32 clocks
reg_ddrc_lpr_min_non_critical_x32	10:0	rw	0xF	Number of clocks that the LPR queue is guaranteed to be non-critical. Unit: 32 clocks

Register ([ddrc](#)) WR\_reg

Name	WR_reg
Relative Address	0x00000010
Absolute Address	0xF8006010
Width	26 bits
Access Type	rw
Reset Value	0x0007F80F



Description WR Queue control

Register WR\_reg Details

Field Name	Bits	Type	Reset Value	Description
reg_ddrc_w_max_starve_x32	25:15	rw	0xF	Number of clocks that the Write queue can be starved before it goes critical. Unit: 32 clocks. FOR PERFORMANCE ONLY.
reg_ddrc_w_xact_run_length	14:11	rw	0xF	Number of transactions that will be serviced once the WR queue goes critical is the smaller of this number and the number of transactions available
reg_ddrc_w_min_non_critical_x32	10:0	rw	0xF	Number of clock cycles that the WR queue is guaranteed to be non-critical.

Register ([ddrc](#)) DRAM\_param\_reg0

Name DRAM\_param\_reg0  
 Relative Address 0x00000014  
 Absolute Address 0xF8006014  
 Width 21 bits  
 Access Type rw  
 Reset Value 0x00041016  
 Description DRAM Parameters 0

Register DRAM\_param\_reg0 Details

Field Name	Bits	Type	Reset Value	Description
reg_ddrc_post_selfref_gap_x32	20:14	rw	0x10	Minimum time to wait after coming out of self refresh before doing anything. This must be bigger than all the constraints that exist. (spec: Maximum of tXSNR and tXSRD and tXSDLL which is 512 clocks). Unit: in multiples of 32 clocks. DRAM Related
reg_ddrc_t_rfc_min	13:6	rw	0x40	tRFC(min) - Minimum time (units = clk cycles) from refresh to refresh or activate. DRAM Related. Default value is set for DDR3. Dynamic Bit Field.
reg_ddrc_t_rc	5:0	rw	0x16	tRC - Min time between activates to same bank. DRAM Related. Default value is set for DDR3.

Register ([ddrc](#)) DRAM\_param\_reg1

Name DRAM\_param\_reg1

Relative Address	0x00000018
Absolute Address	0xF8006018
Width	32 bits
Access Type	rw
Reset Value	0x351B48D9
Description	DRAM Parameters 1

## Register DRAM\_param\_reg1 Details

Field Name	Bits	Type	Reset Value	Description
reg_ddrc_t_cke	31:28	rw	0x3	Minimum number of cycles of CKE HIGH/LOW during power down and self refresh. DDR2 and DDR3: Set this to tCKE value. LPDDR2: Set this to the larger of tCKE or tCKESR. Unit: clocks.
reg_ddrc_t_ras_min	26:22	rw	0x14	tRAS(min) - Minimum time between activate and precharge to the same bank. Unit: clocks DRAM related. Default value is set for DDR3.
reg_ddrc_t_ras_max	21:16	rw	0x1B	tRAS(max) - Maximum time between activate and precharge to same bank. Maximum time that a page can be kept open (spec is 70 us). If this is zero. The page is closed after each transaction. Unit: Multiples of 1024 clocks DRAM related.
reg_ddrc_t_faw	15:10	rw	0x12	tFAW - At most 4 banks must be activated in a rolling window of tFAW cycles. Unit: clocks. DRAM Related.
reg_ddrc_powerdown_to_x32	9:5	rw	0x6	After this many clocks of NOP or DESELECT the controller will put the DRAM into power down. This must be enabled in the Master Control Register. Unit: Multiples of 32 clocks.
reg_ddrc_wr2pre	4:0	rw	0x19	Minimum time between write and precharge to same bank DDR and DDR3: $WL + BL/2 + tWR$ LPDDR2: $WL + BL/2 + tWR + 1$ Unit: Clocks where, WL: write latency. BL: burst length. This must match the value programmed in the BL bit of the mode register to the DRAM. BST is not supported at present. tWR: write recovery time. This comes directly from the DRAM specs.

Register ([ddrc](#)) DRAM\_param\_reg2

Name	DRAM_param_reg2
Relative Address	0x0000001C
Absolute Address	0xF800601C
Width	32 bits
Access Type	rw
Reset Value	0x83015904
Description	DRAM Parameters 2

Register DRAM\_param\_reg2 Details

Field Name	Bits	Type	Reset Value	Description
reg_ddrc_t_rcd	31:28	rw	0x8	tRCD - AL Minimum time from activate to read or write command to same bank Min value for this is 1. AL = Additive Latency. DRAM Related.
reg_ddrc_rd2pre	27:23	rw	0x6	Minimum time from read to precharge of same bank DDR2: $AL + BL/2 + \max(tRTP, 2) - 2$ DDR3: $AL + \max(tRTP, 4)$ LPDDR2: $BL/2 + tRTP - 1$ AL: Additive Latency; BL: DRAM Burst Length; tRTP: value from spec. DRAM related.
reg_ddrc_pad_pd	22:20	rw	0x0	If pads have a power-saving mode, this is the greater of the time for the pads to enter power down or the time for the pads to exit power down. Used only in non-DFI designs. Unit: clocks.
reg_ddrc_t_xp	19:15	rw	0x2	tXP: Minimum time after power down exit to any operation. DRAM related.
reg_ddrc_wr2rd	14:10	rw	0x16	Minimum time from write command to read command. Includes time for bus turnaround and recovery times and all per-bank, per-rank, and global constraints. DDR2 and DDR3: $WL + tWTR + BL/2$ LPDDR2: $WL + tWTR + BL/2 + 1$ Unit: clocks. Where, WL: Write latency, BL: burst length. This should match the value. Programmed in the BL bit of the mode register to the DRAM. tWTR: internal WRITE to READ command delay. This comes directly from the DRAM specs.

Field Name	Bits	Type	Reset Value	Description
reg_ddrc_rd2wr	9:5	rw	0x8	Minimum time from read command to write command. Include time for bus turnaround and all per-bank, per-rank, and global constraints. DDR2 and DDR3: RL + BL/2 + 2 - WL LPDDR2: RL + BL/2 + RU (tDQSCKmax / tCK) + 1 - WL Write Pre-amble and DQ/DQS jitter timer is included in the above equation. DRAM RELATED.
reg_ddrc_write_latency	4:0	rw	0x4	Time from write command to write data on DDRC to PHY Interface. (PHY adds an extra flop delay on the write data path; hence this value is one less than the write latency of the DRAM device itself). DDR2 and DDR3: WL -1 LPDDR2: WL Where WL: Write Latency of DRAM DRAM related. In non-LPDDR mode, the minimum DRAM Write Latency (DDR2) supported is 3. In LPDDR mode, the required DRAM Write Latency of 1 is supported. Since write latency (CWL) min is 3, and DDR2 CWL is CL-1, the min (DDR2) CL supported is 4

### Register ([ddrc](#)) DRAM\_param\_reg3

Name	DRAM_param_reg3
Relative Address	0x00000020
Absolute Address	0xF8006020
Width	32 bits
Access Type	mixed
Reset Value	0x250882D0
Description	DRAM Parameters 3

#### Register DRAM\_param\_reg3 Details

Field Name	Bits	Type	Reset Value	Description
reserved	31	rw	0x0	Reserved. Do not modify.
reg_ddrc_dis_pad_pd	30	rw	0x0	1: disable the pad power down feature 0: Enable the pad power down feature.

Field Name	Bits	Type	Reset Value	Description
reg_phy_mode_ddr1_dr2	29	rw	0x1	unused
reg_ddrc_read_latency	28:24	rw	0x5	Non-LPDDR2: not used. DDR2 and DDR3: Set to Read Latency, RL. Time from Read command to Read data on DRAM interface. It is used to calculate when DRAM clock may be stopped. Unit: DDR clock.
reg_ddrc_en_dfi_dram_clk_disable	23	rw	0x0	Enables the assertion of ddrdc_dfi_dram_clk_disable. In DDR2/DDR3, only asserted in Self Refresh. In mDDR/LPDDR2, can be asserted in following: - during normal operation (Clock Stop), - in Power Down - in Self Refresh - In Deep Power Down
reg_ddrc_mobile	22	rw	0x0	0: DDR2 or DDR3 device. 1: LPDDR2 device.
reg_ddrc_sdram	21	rw	0x0	1: sdram device 0: non-sdram device Must be set to '1'. 0: non-sdram device
reg_ddrc_refresh_to_x32	20:16	rw	0x8	If the refresh timer (tRFC_nom, as known as tREFI) has expired at least once, but it has not expired burst_of_N_refresh times yet, then a 'speculative refresh' may be performed. A speculative refresh is a refresh performed at a time when refresh would be useful, but before it is absolutely required. When the DRAM bus is idle for a period of time determined by this refresh idle timeout and the refresh timer has expired at least once since the last refresh, then a 'speculative refresh' will be performed. Speculative refreshes will continue successively until there are no refreshes pending or until new reads or writes are issued to the controller. Dynamic Bit Field.
reg_ddrc_t_rp	15:12	rw	0x8	tRP - Minimum time from precharge to activate of same bank. DRAM RELATED
reg_ddrc_refresh_margin	11:8	rw	0x2	Issue critical refresh or page close this many cycles before the critical refresh or page timer expires. It is recommended that this not be changed from the default value.

Field Name	Bits	Type	Reset Value	Description
reg_ddrc_t_rrd	7:5	rw	0x6	tRRD - Minimum time between activates from bank A to bank B. (spec: 10ns or less) DRAM RELATED
reg_ddrc_t_ccd	4:2	rw	0x4	tCCD - Minimum time between two reads or two writes (from bank a to bank b) is this value + 1. DRAM related.
reserved	1:0	ro	0x0	Reserved

### Register ([ddrc](#)) DRAM\_param\_reg4

Name	DRAM_param_reg4
Relative Address	0x00000024
Absolute Address	0xF8006024
Width	28 bits
Access Type	mixed
Reset Value	0x0000003C
Description	DRAM Parameters 4

#### Register DRAM\_param\_reg4 Details

Field Name	Bits	Type	Reset Value	Description
reg_ddrc_mr_rdata_val id	27	clonr d	0x0	This bit indicates whether the Mode Register Read Data present at address 0xA9 is valid or not. This bit is 0 by default. This bit will be cleared (0), whenever a Mode Register Read command is issued. This bit will be set to 1, when the Mode Register Read Data is written to register 0xA9.
reg_ddrc_mr_type	26	rw	0x0	Indicates whether the Mode register operation is read or write 0: write 1: read

Field Name	Bits	Type	Reset Value	Description
ddrc_reg_mr_wr_busy	25	ro	0x0	Core must initiate a MR write / read operation only if this signal is low. This signal goes high in the clock after the controller accepts the write / read request. It goes low when (i) MR write command has been issued to the DRAM (ii) MR Read data has been returned to Controller. Any MR write / read command that is received when 'ddrc_reg_mr_wr_busy' is high is not accepted. 0: Indicates that the core can initiate a mode register write / read operation. 1: Indicates that mode register write / read operation is in progress.
reg_ddrc_mr_data	24:9	rw	0x0	DDR2 and DDR3: Mode register write data. LPDDR2: The 16 bits are interpreted for reads and writes: Reads: MR Addr[7:0], Don't Care[7:0]. Writes: MR Addr[7:0], MR Data[7:0].
reg_ddrc_mr_addr	8:7	rw	0x0	DDR2 and DDR3: Mode register address. LPDDR2: not used. 00: MR0 01: MR1 10: MR2 11: MR3
reg_ddrc_mr_wr	6	wo	0x0	A low to high signal on this signal will do a mode register write or read. Controller will accept this command, if this signal is detected high and "ddrc_reg_mr_wr_busy" is detected low.
reserved	5:2	rw	0xF	Reserved. Do not modify.
reg_ddrc_prefer_write	1	rw	0x0	1: Bank selector prefers writes over reads
reg_ddrc_en_2t_timing_mode	0	rw	0x0	1: DDRC will use 2T timing 0: DDRC will use 1T timing

### Register ([ddrc](#)) DRAM\_init\_param

Name	DRAM_init_param
Relative Address	0x00000028
Absolute Address	0xF8006028
Width	14 bits
Access Type	rw
Reset Value	0x00002007
Description	DRAM Initialization Parameters

Register DRAM\_init\_param Details

Field Name	Bits	Type	Reset Value	Description
reg_ddrc_t_mrd	13:11	rw	0x4	tMRD - Cycles between Load Mode commands. DRAM related. Default value is set for DDR3.
reg_ddrc_pre_ocd_x32	10:7	rw	0x0	Wait period before driving the 'OCD Complete' command to DRAM. Units are in counts of a global timer that pulses every 32 clock cycles. There is no known spec requirement for this. It may be set to zero.
reg_ddrc_final_wait_x32	6:0	rw	0x7	Cycles to wait after completing the DRAM init sequence before starting the dynamic scheduler. Units are in counts of a global timer that pulses every 32 clock cycles. Default value is set for DDR3.

Register ([ddrc](#)) DRAM\_EMR\_reg

Name	DRAM_EMR_reg
Relative Address	0x0000002C
Absolute Address	0xF800602C
Width	32 bits
Access Type	rw
Reset Value	0x00000008
Description	DRAM EMR2, EMR3 access

Register DRAM\_EMR\_reg Details

Field Name	Bits	Type	Reset Value	Description
reg_ddrc_emr3	31:16	rw	0x0	DDR2: Value loaded into EMR3 register DDR3: Value loaded into MR3 register. Set Bit[2:0] to 3'b000. These bits are set appropriately by the Controller during Read Data eye training and Read DQS gate leveling. LPDDR2: Unused
reg_ddrc_emr2	15:0	rw	0x8	DDR2: Value loaded into EMR2 register DDR3: Value loaded into MR2 register LPDDR2: Value loaded into MR3 register



Register ([ddrc](#)) DRAM\_EMR\_MR\_reg

Name DRAM\_EMR\_MR\_reg  
 Relative Address 0x00000030  
 Absolute Address 0xF8006030  
 Width 32 bits  
 Access Type rw  
 Reset Value 0x00000940  
 Description DRAM EMR, MR access

Register DRAM\_EMR\_MR\_reg Details

Field Name	Bits	Type	Reset Value	Description
reg_ddrc_emr	31:16	rw	0x0	DDR2: Value loaded into EMR1 register. (Bits[9:7] are for OCD and the setting in this reg is ignored. Controller sets this bits appropriately during initialization DDR3: Value loaded into MR1 register. Set Bit[7] to 0. This bit is set appropriately by the Controller during Write Leveling LPDDR2: Value loaded into MR2 register
reg_ddrc_mr	15:0	rw	0x940	DDR2: Value loaded into MR register. (Bit[8] is for DLL and the setting here is ignored. Controller sets this bit appropriately DDR3: Value loaded into MR0 register. LPDDR2: Value loaded into MR1 register

Register ([ddrc](#)) DRAM\_burst8\_rdwr

Name DRAM\_burst8\_rdwr  
 Relative Address 0x00000034  
 Absolute Address 0xF8006034  
 Width 29 bits  
 Access Type mixed  
 Reset Value 0x00020034  
 Description DRAM Burst 8 read/write

Register DRAM\_burst8\_rdwr Details

Field Name	Bits	Type	Reset Value	Description
reg_ddrc_burstchop	28	rw	0x0	Feature not supported. When 1, Controller is out in burstchop mode.
reserved	27:26	ro	0x0	Reserved
reg_ddrc_post_cke_x1024	25:16	rw	0x2	Clock cycles to wait after driving CKE high to start the DRAM initialization sequence. Units: 1024 clocks. DDR2 typically require a 400 ns delay, requiring this value to be programmed to 2 at all clock speeds. LPDDR2 - Typically require this to be programmed for a delay of 200 us.
reserved	15:14	ro	0x0	Reserved
reg_ddrc_pre_cke_x1024	13:4	rw	0x3	Clock cycles to wait after a DDR software reset before driving CKE high to start the DRAM initialization sequence. Units: 1024 clock cycles. DDR2 Specifications typically require this to be programmed for a delay of >= 200 uS. LPDDR2 - tINIT0 of 20 mS (max) + tINIT1 of 100 nS (min)
reg_ddrc_burst_rdwr	3:0	rw	0x4	Controls the burst size used to access the DRAM. This must match the BL mode register setting in the DRAM. 0010: Burst length of 4 0100: Burst length of 8 1000: Burst length of 16 (LPDDR2 with ___-bit data) All other values are reserved

Register ([ddrc](#)) DRAM\_disable\_DQ

Name	DRAM_disable_DQ
Relative Address	0x00000038
Absolute Address	0xF8006038
Width	13 bits
Access Type	mixed
Reset Value	0x00000000
Description	DRAM Disable DQ

Register DRAM\_disable\_DQ Details

Field Name	Bits	Type	Reset Value	Description
reserved	12:9	rw	0x0	Reserved. Do not modify.
reserved	8	rw	0x0	Reserved. Do not modify.
reserved	7	rw	0x0	Reserved. Do not modify.
reserved	6	rw	0x0	Reserved. Do not modify.
reserved	5:2	ro	0x0	Reserved
reg_ddrc_dis_dq	1	rw	0x0	When 1, DDRRC will not de-queue any transactions from the CAM. Bypass will also be disabled. All transactions will be queued in the CAM. This is for debug only; no reads or writes are issued to DRAM as long as this is asserted. Dynamic Bit Field.
reg_ddrc_force_low_pr i_n	0	rw	0x0	Read Transaction Priority disable. 0: read transactions forced to low priority (turns off Bypass). 1: HPR reads allowed if enabled in the AXI priority read registers.

Register ([ddrc](#)) DRAM\_addr\_map\_bank

Name	DRAM_addr_map_bank
Relative Address	0x0000003C
Absolute Address	0xF800603C
Width	20 bits
Access Type	rw
Reset Value	0x00000F77
Description	Row/Column address bits

Register DRAM\_addr\_map\_bank Details

Note: address bits are relative to a byte address. For example, the value 0x777 in bits[11:0] selects byte address bits [14:12] as bank address bits.

Field Name	Bits	Type	Reset Value	Description
reg_ddrc_addrmap_col_b6	19:16	rw	0x0	Full bus width mode: Selects the address bits used as column address bits 7. Half bus width mode: Selects the address bits used as column address bits 8. Valid range is 0-7. Internal Base 9. The selected address bit for each of the column address bits is determined by adding the Internal Base to the value of this field.
reg_ddrc_addrmap_col_b5	15:12	rw	0x0	Full bus width mode: Selects the address bits used as column address bits 6. Half bus width mode: Selects the address bits used as column address bits 7. Valid range is 0-7. Internal Base 8. The selected address bit for each of the column address bits is determined by adding the Internal Base to the value of this field.
reg_ddrc_addrmap_bank_b2	11:8	rw	0xF	Selects the AXI address bit used as bank address bit 2. Valid range 0 to 14, and 15. Internal Base: 7. The selected address bit is determined by adding the Internal Base to the value of this field. If set to 15, bank address bit 2 is set to 0.
reg_ddrc_addrmap_bank_b1	7:4	rw	0x7	Selects the address bits used as bank address bit 1. Valid Range: 0 to 14; Internal Base: 6. The selected address bit for each of the bank address bits is determined by adding the Internal Base to the value of this field.
reg_ddrc_addrmap_bank_b0	3:0	rw	0x7	Selects the address bits used as bank address bit 0. Valid Range: 0 to 14. Internal Base: 5. The selected address bit for each of the bank address bits is determined by adding the Internal Base to the value of this field.

### Register ([ddrc](#)) DRAM\_addr\_map\_col

Name	DRAM_addr_map_col
Relative Address	0x00000040
Absolute Address	0xF8006040
Width	32 bits
Access Type	rw
Reset Value	0xFFF00000
Description	Column address bits

#### Register DRAM\_addr\_map\_col Details

Selects the address bits used as DRAM column address bits

Field Name	Bits	Type	Reset Value	Description
reg_ddrc_addrmap_col_b11	31:28	rw	0xF	<p>Full bus width mode: Selects the address bit used as column address bit 13. (Column address bit 12 in LPDDR2 mode) Half bus width mode: Unused. To make it unused, this should be set to 15. (Column address bit 13 in LPDDR2 mode)</p> <p>Valid Range: 0 to 7, and 15.</p> <p>Internal Base: 14.</p> <p>The selected address bit is determined by adding the Internal Base to the value of this field. If set to 15, this column address bit is set to 0. Note: Per JEDEC DDR2 spec, column address bit 10 is reserved for indicating auto-precharge, and hence no source address bit can be mapped to column address bit 10. In LPDDR2, there is a dedicated bit for auto-precharge in the CA bus, and hence column bit 10 is used.</p>
reg_ddrc_addrmap_col_b10	27:24	rw	0xF	<p>Full bus width mode: Selects the address bit used as column address bit 12. (Column address bit 11 in LPDDR2 mode) Half bus width mode: Selects the address bit used as column address bit 13. (Column address bit 12 in LPDDR2 mode) Valid Range: 0 to 7, and 15.</p> <p>Internal Base: 13</p> <p>The selected address bit is determined by adding the Internal Base to the value of this field. If set to 15, this column address bit is set to 0. Note: Per JEDEC DDR2 spec, column address bit 10 is reserved for indicating auto-precharge, and hence no source address bit can be mapped to column address bit 10. In LPDDR2, there is a dedicated bit for auto-precharge in the CA bus, and hence column bit 10 is used.</p>
reg_ddrc_addrmap_col_b9	23:20	rw	0xF	<p>Full bus width mode: Selects the address bit used as column address bit 11. (Column address bit 10 in LPDDR2 mode)</p> <p>Half bus width mode: Selects the address bit used as column address bit 12. (Column address bit 11 in LPDDR2 mode)</p> <p>Valid Range: 0 to 7, and 15</p> <p>Internal Base: 12</p> <p>The selected address bit is determined by adding the Internal Base to the value of this field. If set to 15, this column address bit is set to 0.</p> <p>Note: Per JEDEC DDR2 spec, column address bit 10 is reserved for indicating auto-precharge, and hence no source address bit can be mapped to column address bit 10. In LPDDR2, there is a dedicated bit for auto-precharge in the CA bus, and hence column bit 10 is used.</p>

Field Name	Bits	Type	Reset Value	Description
reg_ddrc_addrmap_col_b8	19:16	rw	0x0	<p>Full bus width mode: Selects the address bit used as column address bit 9.</p> <p>Half bus width mode: Selects the address bit used as column address bit 11. (Column address bit 10 in LPDDR2 mode)</p> <p>Valid Range: 0 to 7, and 15</p> <p>Internal Base: 11</p> <p>The selected address bit is determined by adding the Internal Base to the value of this field. If set to 15, this column address bit is set to 0.</p> <p>Note: Per JEDEC spec, column address bit 10 is reserved for indicating auto-precharge, and hence no source address bit can be mapped to column address bit 10. In LPDDR2, there is a dedicated bit for auto-precharge in the CA bus, and hence column bit 10 is used.</p>
reg_ddrc_addrmap_col_b7	15:12	rw	0x0	<p>Full bus width mode: Selects the address bit used as column address bit 8.</p> <p>Half bus width mode: Selects the address bit used as column address bit 9.</p> <p>Valid Range: 0 to 7, and 15.</p> <p>Internal Base: 10.</p> <p>The selected address bit is determined by adding the Internal Base to the value of this field. If set to 15, this column address bit is set to 0.</p> <p>Note: Per JEDEC spec, column address bit 10 is reserved for indicating auto-precharge, and hence no source address bit can be mapped to column address bit 10. In LPDDR2, there is a dedicated bit for auto-precharge in the CA bus, and hence column bit 10 is used.</p>
reg_ddrc_addrmap_col_b4	11:8	rw	0x0	<p>Full bus width mode: Selects the address bit used as column address bit 5.</p> <p>Half bus width mode: Selects the address bit used as column address bits 6. Valid Range: 0 to 7.</p> <p>Internal Base: 7.</p> <p>The selected address bit for each of the column address bits is determined by adding the Internal Base to the value of this field.</p>

Field Name	Bits	Type	Reset Value	Description
reg_ddrc_addrmap_col_b3	7:4	rw	0x0	Full bus width mode: Selects the address bit used as column address bit 4. Half bus width mode: Selects the address bit used as column address bit 5. Valid Range: 0 to 7 Internal Base: 6 The selected address bit is determined by adding the Internal Base to the value of this field.
reg_ddrc_addrmap_col_b2	3:0	rw	0x0	Full bus width mode: Selects the address bit used as column address bit 3. Half bus width mode: Selects the address bit used as column address bit 4. Valid Range: 0 to 7. Internal Base: 5 The selected address bit is determined by adding the Internal Base to the value of this field.

### Register ([ddrc](#)) DRAM\_addr\_map\_row

Name	DRAM_addr_map_row
Relative Address	0x00000044
Absolute Address	0xF8006044
Width	28 bits
Access Type	rw
Reset Value	0xFF55555
Description	Select DRAM row address bits

#### Register DRAM\_addr\_map\_row Details

Field Name	Bits	Type	Reset Value	Description
reg_ddrc_addrmap_row_b15	27:24	rw	0xF	Selects the AXI address bit used as row address bit 15. Valid Range: 0 to 5, Internal Base: 24 The selected address bit is determined by adding the Internal Base to the value of this field. If set to 15, row address bit 15 is set to 0.
reg_ddrc_addrmap_row_b14	23:20	rw	0xF	Selects the AXI address bit used as row address bit 14. Valid Range: 0 to 6, Internal Base: 23 The selected address bit is determined by adding the Internal Base to the value of this field. If set to 15, row address bit 14 is set to 0.

Field Name	Bits	Type	Reset Value	Description
reg_ddrc_addrmap_row_b13	19:16	rw	0x5	Selects the AXI address bit used as row address bit 13. Valid Range: 0 to 7, Internal Base: 22 The selected address bit is determined by adding the Internal Base to the value of this field. If set to 15, row address bit 13 is set to 0.
reg_ddrc_addrmap_row_b12	15:12	rw	0x5	Selects the AXI address bit used as row address bit 12. Valid Range: 0 to 8, Internal Base: 21 The selected address bit is determined by adding the Internal Base to the value of this field. If set to 15, row address bit 12 is set to 0.
reg_ddrc_addrmap_row_b2_11	11:8	rw	0x5	Selects the AXI address bits used as row address bits 2 to 11. Valid Range: 0 to 11. Internal Base: 11 (for row address bit 2) to 20 (for row address bit 11) The selected address bit for each of the row address bits is determined by adding the Internal Base to the value of this field.
reg_ddrc_addrmap_row_b1	7:4	rw	0x5	Selects the AXI address bits used as row address bit 1. Valid Range: 0 to 11. Internal Base: 10 The selected address bit for each of the row address bits is determined by adding the Internal Base to the value of this field.
reg_ddrc_addrmap_row_b0	3:0	rw	0x5	Selects the AXI address bits used as row address bit 0. Valid Range: 0 to 11. Internal Base: 9 The selected address bit for each of the row address bits is determined by adding the Internal Base to the value of this field

Note: address bits are relative to a byte address. For example, the value 0x0FFF6666 selects byte address bits [29:15] as row address bits in a 32-bit bus width configuration.

### Register ([ddrc](#)) DRAM\_ODT\_reg

Name	DRAM_ODT_reg
Relative Address	0x00000048
Absolute Address	0xF8006048
Width	30 bits
Access Type	rw
Reset Value	0x00000249
Description	DRAM ODT control

#### Register DRAM\_ODT\_reg Details

Parts of this register are unused.



Field Name	Bits	Type	Reset Value	Description
reserved	29:27	rw	0x0	Reserved. Do not modify.
reserved	26:24	rw	0x0	Reserved. Do not modify.
reserved	23:21	rw	0x0	Reserved. Do not modify.
reserved	20:18	rw	0x0	Reserved. Do not modify.
reg_phy_idle_local_odt	17:16	rw	0x0	Value to drive on the 2-bit local_odt PHY outputs when output enable is not asserted and a read is not in progress. Typically this is the value required to disable termination to save power when idle.
reg_phy_wr_local_odt	15:14	rw	0x0	Value to drive on the 2-bit local_odt PHY outputs when output is enabled for DQ and DQS. Typically this disables termination, as few systems use termination when writing.
reg_phy_rd_local_odt	13:12	rw	0x0	Value to drive on the 2-bit local_odt PHY outputs when output enable is not asserted and a read is in progress (where 'in progress' is defined as after a read command is issued and until all read data has been returned all the way to the controller.) Typically this is set to the value required to enable termination at the desired strength for read usage.
reserved	11:9	rw	0x1	Reserved. Do not modify.
reserved	8:6	rw	0x1	Reserved. Do not modify.
reg_ddrc_rank0_wr_odt	5:3	rw	0x1	[1:0] - Indicates which remote ODT's must be turned on during a write to rank 0. Each of the 2 ranks has a remote ODT (in the DRAM) which can be turned on by setting the appropriate bit here. Rank 0 is controlled by the LSB; Rank 1 is controlled by bit next to the LSB. For each rank, set its bit to 1 to enable its ODT. [2]: If 1 then local ODT is enabled during writes to rank 0.
reg_ddrc_rank0_rd_odt	2:0	rw	0x1	Unused. [1:0] - Indicates which remote ODTs must be turned ON during a read to rank 0. Each of the 2 ranks has a remote ODT (in the DRAM) which can be turned on by setting the appropriate bit here. Rank 0 is controlled by the LSB; Rank 1 is controlled by bit next to the LSB. For each rank, set its bit to 1 to enable its ODT. [2]: If 1 then local ODT is enabled during reads to rank 0.

Register ([ddrc](#)) phy\_dbg\_reg

Name phy\_dbg\_reg

Relative Address      0x0000004C  
 Absolute Address      0xF800604C  
 Width                    20 bits  
 Access Type            ro  
 Reset Value            0x00000000  
 Description            PHY debug

## Register phy\_dbg\_reg Details

Field Name	Bits	Type	Reset Value	Description
phy_reg_bc_fifo_re3	19	ro	0x0	Debug read capture FIFO read enable for data slice 3.
phy_reg_bc_fifo_we3	18	ro	0x0	Debug read capture FIFO write enable, for data slice 3.
phy_reg_bc_dqs_oe3	17	ro	0x0	Debug DQS output enable for data slice 3.
phy_reg_bc_dq_oe3	16	ro	0x0	Debug DQ output enable for data slice 3.
phy_reg_bc_fifo_re2	15	ro	0x0	Debug read capture FIFO read enable for data slice 2.
phy_reg_bc_fifo_we2	14	ro	0x0	Debug read capture FIFO write enable, for data slice 2.
phy_reg_bc_dqs_oe2	13	ro	0x0	Debug DQS output enable for data slice 2.
phy_reg_bc_dq_oe2	12	ro	0x0	Debug DQ output enable for data slice 2.
phy_reg_bc_fifo_re1	11	ro	0x0	Debug read capture FIFO read enable for data slice 1.
phy_reg_bc_fifo_we1	10	ro	0x0	Debug read capture FIFO write enable, for data slice 1.
phy_reg_bc_dqs_oe1	9	ro	0x0	Debug DQS output enable for data slice 1.
phy_reg_bc_dq_oe1	8	ro	0x0	Debug DQ output enable for data slice 1.
phy_reg_bc_fifo_re0	7	ro	0x0	Debug read capture FIFO read enable for data slice 0.
phy_reg_bc_fifo_we0	6	ro	0x0	Debug read capture FIFO write enable, for data slice 0.
phy_reg_bc_dqs_oe0	5	ro	0x0	Debug DQS output enable for data slice 0.
phy_reg_bc_dq_oe0	4	ro	0x0	Debug DQ output enable for data slice 0.
phy_reg_rdc_fifo_rst_err_cnt	3:0	ro	0x0	Counter for counting how many times the pointers of read capture FIFO differ when they are reset by dll_calib.

Register ([ddrc](#)) phy\_cmd\_timeout\_rddata\_cpt

Name	phy_cmd_timeout_rddata_cpt
Relative Address	0x00000050
Absolute Address	0xF8006050
Width	32 bits
Access Type	mixed
Reset Value	0x00010200
Description	PHY command time out and read data capture FIFO

Register phy\_cmd\_timeout\_rddata\_cpt Details

Field Name	Bits	Type	Reset Value	Description
reg_phy_wrlvl_num_of_dq0	31:28	rw	0x0	This register value determines register determines the number of samples used for each ratio increment during Write Leveling. Num_of_iteration = reg_phy_wrlvl_num_of_dq0 + 1 The recommended value for this register is 8. Accuracy is better with higher value, but this will cause leveling to run longer.
reg_phy_gatlvl_num_of_dq0	27:24	rw	0x0	This register value determines register determines the number of samples used for each ratio increment during Gate Training. Num_of_iteration = reg_phy_gatlvl_num_of_dq0 + 1 The recommended value for this register is 8. Accuracy is better with higher value, but this will cause leveling to run longer.
reserved	23:20	ro	0x0	Reserved
reg_phy_clk_stall_level	19	rw	0x0	1: stall clock, for DLL aging control
reg_phy_dis_phy_ctrl_rstn	18	rw	0x0	Disable the reset from Phy Ctrl macro. 1: PHY Ctrl macro reset port is always HIGH 0: PHY Ctrl macro gets power on reset.
reg_phy_rdc_fifo_rst_err_cnt_clr	17	rw	0x0	Clear/reset for counter rdc_fifo_rst_err_cnt[3:0]. 0: no clear, 1: clear. Note: This is a synchronous dynamic signal that must have timing closed.

Field Name	Bits	Type	Reset Value	Description
reg_phy_use_fixed_re	16	rw	0x1	When 1: PHY generates FIFO read enable after fixed number of clock cycles as defined by reg_phy_rdc_we_to_re_delay[3:0]. When 0: PHY uses the not_empty method to do the read enable generation. Note: This port must be set HIGH during training/leveling process i.e. when ddr_c_dfi_wrlvl_en/ ddr_c_dfi_rdlvl_en/ ddr_c_dfi_rdlvl_gate_en port is set HIGH.
reg_phy_rdc_fifo_rst_d isable	15	rw	0x0	When 1, disable counting the number of times the Read Data Capture FIFO has been reset when the FIFO was not empty.
reserved	14:12	ro	0x0	Reserved
reg_phy_rdc_we_to_re _delay	11:8	rw	0x2	This register value + 1 give the number of clock cycles between writing into the Read Capture FIFO and the read operation. The setting of this register determines the read data timing and depends upon total delay in the system for read operation which include fly-by delays, trace delay, clkout_invert etc. This is used only if reg_phy_use_fixed_re=1.
reg_phy_wr_cmd_to_d ata	7:4	rw	0x0	Not used in DFI PHY.
reg_phy_rd_cmd_to_d ata	3:0	rw	0x0	Not used in DFI PHY.

### Register ([ddrc](#)) mode\_sts\_reg

Name	mode_sts_reg
Relative Address	0x00000054
Absolute Address	0xF8006054
Width	21 bits
Access Type	ro
Reset Value	0x00000000
Description	Controller operation mode status

Register mode\_sts\_reg Details

Field Name	Bits	Type	Reset Value	Description
ddrc_reg_dbg_hpr_q_depth	20:16	ro	0x0	Indicates the number of entries currently in the High Priority Read (HPR) CAM.
ddrc_reg_dbg_lpr_q_depth	15:10	ro	0x0	Indicates the number of entries currently in the Low Priority Read (LPR) CAM.
ddrc_reg_dbg_wr_q_depth	9:4	ro	0x0	Indicates the number of entries currently in the Write CAM.
ddrc_reg_dbg_stall	3	ro	0x0	0: commands are being accepted. 1: no commands are accepted by the controller.
ddrc_reg_operating_mode	2:0	ro	0x0	Gives the status of the controller. 0: DDRC Init 1: Normal operation 2: Powerdown mode 3: Self-refresh mode 4 and above: deep power down mode (LPDDR2 only)

Register ([ddrc](#)) DLL\_calib

Name	DLL_calib
Relative Address	0x00000058
Absolute Address	0xF8006058
Width	17 bits
Access Type	rw
Reset Value	0x00000101
Description	DLL calibration

Register DLL\_calib Details

Field Name	Bits	Type	Reset Value	Description
reg_ddrc_dis_dll_calib	16	rw	0x0	When 1, disable dll_calib generated by the controller. The core should issue the dll_calib signal using co_gs_dll_calib input. This input is changeable on the fly. When 0, controller will issue dll_calib periodically
reserved	15:8	rw	0x1	Reserved. Do not modify.
reserved	7:0	rw	0x1	Reserved. Do not modify.

### Register ([ddrc](#)) ODT\_delay\_hold

Name	ODT_delay_hold
Relative Address	0x0000005C
Absolute Address	0xF800605C
Width	16 bits
Access Type	rw
Reset Value	0x00000023
Description	ODT delay and ODT hold

#### Register ODT\_delay\_hold Details

Field Name	Bits	Type	Reset Value	Description
reg_ddrc_wr_odt_hold	15:12	rw	0x0	Cycles to hold ODT for a Write Command. When 0x0, ODT signal is ON for 1 cycle. When 0x1, it is ON for 2 cycles, etc. The values to program in different modes are : DRAM Burst of 4 -2, DRAM Burst of 8 -4
reg_ddrc_rd_odt_hold	11:8	rw	0x0	Unused
reg_ddrc_wr_odt_delay	7:4	rw	0x2	The delay, in clock cycles, from issuing a write command to setting ODT values associated with that command. ODT setting should remain constant for the entire time that DQS is driven by the controller. The suggested value for DDR2 is WL - 5 and for DDR3 is 0. WL is Write latency. DDR2 ODT has a 2-cycle on-time delay and a 2.5-cycle off-time delay. ODT is not applicable to LPDDR2.
reg_ddrc_rd_odt_delay	3:0	rw	0x3	UNUSED

### Register ([ddrc](#)) ctrl\_reg1

Name	ctrl_reg1
Relative Address	0x00000060
Absolute Address	0xF8006060
Width	13 bits
Access Type	mixed
Reset Value	0x0000003E
Description	Controller 1

Register ctrl\_reg1 Details

Field Name	Bits	Type	Reset Value	Description
reg_ddrc_selfref_en	12	rw	0x0	If 1, then the controller will put the DRAM into self refresh when the transaction store is empty. Dynamic Bit Field.
reserved	11	ro	0x0	Always keep this set to 0x0
reg_ddrc_dis_collision_page_opt	10	rw	0x0	When this is set to 0, auto-precharge will be disabled for the flushed command in a collision case. Collision cases are write followed by read to same address, read followed by write to same address, or write followed by write to same address with DIS_WC bit = 1 (where 'same address' comparisons exclude the two address bits representing critical word).
reg_ddrc_dis_wc	9	rw	0x0	Disable Write Combine: 0: enable 1: disable
reg_ddrc_refresh_update_level	8	rw	0x0	Toggle this signal to indicate that refresh register(s) have been updated. The value will be automatically updated when exiting soft reset. So it does not need to be toggled initially. Dynamic Bit Field.
reg_ddrc_auto_pre_en	7	rw	0x0	When set, most reads and writes will be issued with auto-precharge. (Exceptions can be made for collision cases.)
reg_ddrc_lpr_num_entries	6:1	rw	0x1F	Number of entries in the low priority transaction store is this value plus 1. In this design, by default all read ports are treated as low priority and hence the value of 0x1F. The hpr_num_entries is 32 minus this value. Bit [6] is ignored.
reg_ddrc_pageclose	0	rw	0x0	If true, bank will be closed and kept closed if no transactions are available for it. If false, bank will remain open until there is a need to close it (to open a different page, or for page timeout or refresh timeout.) This does not apply when auto-refresh is used.

Register ([ddrc](#)) ctrl\_reg2

Name	ctrl_reg2
Relative Address	0x00000064
Absolute Address	0xF8006064
Width	18 bits
Access Type	mixed

Reset Value 0x00020000  
 Description Controller 2

Register ctrl\_reg2 Details

Field Name	Bits	Type	Reset Value	Description
reg_arb_go2critical_en	17	rw	0x1	0: Keep reg_ddrc_go2critical_wr and reg_ddrc_go2critical_rd signals going to DDRC at 0. 1: Set reg_ddrc_go2critical_wr and reg_ddrc_go2critical_rd signals going to DDRC based on Urgent input coming from AXI master.
reserved	16:13	ro	0x0	Reserved
reg_ddrc_go2critical_hysteresis	12:5	rw	0x0	Describes the number of cycles that co_gs_go2critical_rd or co_gs_go2critical_wr must be asserted before the corresponding queue moves to the 'critical' state in the DDRC. The arbiter controls the co_gs_go2critical_* signals; it is designed for use with this hysteresis field set to 0.
reserved	4:0	ro	0x0	Reserved

Register ([ddrc](#)) ctrl\_reg3

Name ctrl\_reg3  
 Relative Address 0x00000068  
 Absolute Address 0xF8006068  
 Width 26 bits  
 Access Type rw  
 Reset Value 0x00284027  
 Description Controller 3



Register ctrl\_reg3 Details

Field Name	Bits	Type	Reset Value	Description
reg_ddrc_dfi_t_wlmsrd	25:16	rw	0x28	DDR2 and LPDDR2: not applicable. DDR3: First DQS/DQS# rising edge after write leveling mode is programmed. This is same as the tMLRD value from the DRAM spec.
reg_ddrc_rdlvl_rr	15:8	rw	0x40	DDR2 and LPDDR2: not applicable. DDR3: Read leveling read-to-read delay. Specifies the minimum number of clock cycles from the assertion of a read command to the next read command. Only applicable when connecting to PHYs operating in PHY RdLvl Evaluation mode.
reg_ddrc_wrlvl_ww	7:0	rw	0x27	DDR2: not applicable. LPDDR2 and DDR3: Write leveling write-to-write delay. Specifies the minimum number of clock cycles from the assertion of a ddrc_dfi_wrlvl_strobe signal to the next ddrc_dfi_wrlvl_strobe signal. Only applicable when connecting to PHYs operating in PHY RdLvl Evaluation mode. Recommended value is: (RL + reg_phy_rdc_we_to_re_delay + 50)

Register ([ddrc](#)) ctrl\_reg4

Name	ctrl_reg4
Relative Address	0x0000006C
Absolute Address	0xF800606C
Width	16 bits
Access Type	rw
Reset Value	0x00001610
Description	Controller 4

Register ctrl\_reg4 Details

Field Name	Bits	Type	Reset Value	Description
dfi_t_ctrlupd_interval_max_x1024	15:8	rw	0x16	This is the maximum amount of time between Controller initiated DFI update requests. This timer resets with each update request; when the timer expires, traffic is blocked for a few cycles. PHY can use this idle time to recalibrate the delay lines to the DLLs. The DLL calibration is also used to reset PHY FIFO pointers in case of data capture errors. Updates are required to maintain calibration over PVT, but frequent updates may impact performance. Units: 1024 clocks
dfi_t_ctrlupd_interval_min_x1024	7:0	rw	0x10	This is the minimum amount of time between Controller initiated DFI update requests (which will be executed whenever the controller is idle). Set this number higher to reduce the frequency of update requests, which can have a small impact on the latency of the first read request when the controller is idle. Units: 1024 clocks

Register ([ddrc](#)) ctrl\_reg5

Name	ctrl_reg5
Relative Address	0x00000078
Absolute Address	0xF8006078
Width	32 bits
Access Type	mixed
Reset Value	0x00455111
Description	Controller register 5

Register ctrl\_reg5 Details

Field Name	Bits	Type	Reset Value	Description
reserved	31:26	ro	0x0	Reserved
reg_ddrc_t_ckesr	25:20	rw	0x4	Minimum CKE low width for Self Refresh entry to exit Timing in memory clock cycles. Recommended settings: LPDDR2: tCKESR DDR2: tCKE DDR3: tCKE+1

Field Name	Bits	Type	Reset Value	Description
reg_ddrc_t_cksrx	19:16	rw	0x5	This is the time before Self Refresh Exit that CK is maintained as a valid clock before issuing SRX. Specifies the clock stable time before SRX. Recommended settings: LPDDR2: 2 DDR2: 1 DDR3: tCKSRX
reg_ddrc_t_cksre	15:12	rw	0x5	This is the time after Self Refresh Entry that CK is maintained as a valid clock. Specifies the clock disable delay after SRE. Recommended settings: LPDDR2: 2 DDR2: 1 DDR3: tCKSRE
reg_ddrc_dfi_t_dram_clk_enable	11:8	rw	0x1	Specifies the number of DFI clock cycles from the de-assertion of the ddrdc_dfi_dram_clk_disable signal on the DFI until the first valid rising edge of the clock to the DRAM memory devices at the PHY-DRAM boundary. If the DFI clock and the memory clock are not phase aligned, this timing parameter should be rounded up to the next integer value.
reg_ddrc_dfi_t_dram_clk_disable	7:4	rw	0x1	Specifies the number of DFI clock cycles from the assertion of the ddrdc_dfi_dram_clk_disable signal on the DFI until the clock to the DRAM memory devices, at the PHY-DRAM boundary, maintains a low value. If the DFI clock and the memory clock are not phase aligned, this timing parameter should be rounded up to the next integer value.
reg_ddrc_dfi_t_ctrl_delay	3:0	rw	0x1	Specifies the number of DFI clock cycles after an assertion or deassertion of the DFI control signals that the control signals at the PHY-DRAM interface reflect the assertion or de-assertion. If the DFI clock and the memory clock are not phase-aligned, this timing parameter should be rounded up to the next integer value.

### Register ([ddrc](#)) ctrl\_reg6

Name	ctrl_reg6
Relative Address	0x0000007C
Absolute Address	0xF800607C
Width	32 bits
Access Type	mixed

Reset Value 0x00032222  
 Description Controller register 6

Register ctrl\_reg6 Details

Field Name	Bits	Type	Reset Value	Description
reserved	31:20	ro	0x0	Reserved
reg_ddrc_t_ckcsx	19:16	rw	0x3	This is the time before Clock Stop Exit that CK is maintained as a valid clock before issuing DPDX. Specifies the clock stable time before next command after Clock Stop Exit. Recommended setting for LPDDR2: tXP + 2.
reg_ddrc_t_ckdpdx	15:12	rw	0x2	This is the time before Deep Power Down Exit that CK is maintained as a valid clock before issuing DPDX. Specifies the clock stable time before DPDX. Recommended setting for LPDDR2: 2.
reg_ddrc_t_ckdpde	11:8	rw	0x2	This is the time after Deep Power Down Entry that CK is maintained as a valid clock. Specifies the clock disable delay after DPDE. Recommended setting for LPDDR2: 2.
reg_ddrc_t_ckpdx	7:4	rw	0x2	This is the time before Power Down Exit that CK is maintained as a valid clock before issuing PDX. Specifies the clock stable time before PDX. Recommended setting for LPDDR2: 2.
reg_ddrc_t_ckpde	3:0	rw	0x2	This is the time after Power Down Entry that CK is maintained as a valid clock. Specifies the clock disable delay after PDE. Recommended setting for LPDDR2: 2.

Register ([ddrc](#)) CHE\_REFRESH\_TIMER01

Name CHE\_REFRESH\_TIMER01  
 Relative Address 0x000000A0  
 Absolute Address 0xF80060A0  
 Width 24 bits  
 Access Type rw  
 Reset Value 0x00008000  
 Description CHE\_REFRESH\_TIMER01

Register CHE\_REFRESH\_TIMER01 Details

Field Name	Bits	Type	Reset Value	Description
reserved	23:12	rw	0x8	Reserved. Do not modify.
reserved	11:0	rw	0x0	Reserved. Do not modify.

Register ([ddrc](#)) CHE\_T\_ZQ

Name	CHE_T_ZQ
Relative Address	0x000000A4
Absolute Address	0xF80060A4
Width	32 bits
Access Type	rw
Reset Value	0x10300802
Description	ZQ parameters

Register CHE\_T\_ZQ Details

Field Name	Bits	Type	Reset Value	Description
reg_ddrc_t_zq_short_nop	31:22	rw	0x40	DDR2: not applicable. LPDDR2 and DDR3: Number of cycles of NOP required after a ZQCS (ZQ calibration short) command is issued to DRAM. Units: Clock cycles.
reg_ddrc_t_zq_long_nop	21:12	rw	0x300	DDR2: not applicable. LPDDR2 and DDR3: Number of cycles of NOP required after a ZQCL (ZQ calibration long) command is issued to DRAM. Units: Clock cycles.
reg_ddrc_t_mod	11:2	rw	0x200	Mode register set command update delay (minimum d'128)
reg_ddrc_ddr3	1	rw	0x1	Indicates operating in DDR2/DDR3 mode. Default value is set for DDR3.
reg_ddrc_dis_auto_zq	0	rw	0x0	1=disable controller generation of ZQCS command. Co_gs_zq_calib_short can be used instead to control ZQ calibration commands. 0=internally generate ZQCS commands based on reg_ddrc_t_zq_short_interval_x1024 This is only present for implementations supporting DDR3 and LPDDR2 devices.

Register ([ddrc](#)) CHE\_T\_ZQ\_Short\_Interval\_Reg

Name	CHE_T_ZQ_Short_Interval_Reg
Relative Address	0x000000A8

Absolute Address 0xF80060A8  
 Width 28 bits  
 Access Type rw  
 Reset Value 0x0020003A  
 Description Misc parameters

Register CHE\_T\_ZQ\_Short\_Interval\_Reg Details

Field Name	Bits	Type	Reset Value	Description
dram_rstn_x1024	27:20	rw	0x2	Number of cycles to assert DRAM reset signal during init sequence. Units: 1024 Clock cycles. Applicable for DDR3 only.
t_zq_short_interval_x1024	19:0	rw	0x3A	DDR2: not used. LPDDR2 and DDR3: Average interval to wait between automatically issuing ZQCS (ZQ calibration short) commands to DDR3 devices. Meaningless if reg_ddrc_dis_auto_zq=1. Units: 1024 Clock cycles.

Register ([ddrc](#)) deep\_pwrdown\_reg

Name deep\_pwrdown\_reg  
 Relative Address 0x000000AC  
 Absolute Address 0xF80060AC  
 Width 9 bits  
 Access Type rw  
 Reset Value 0x00000000  
 Description Deep powerdown (LPDDR2)

Register deep\_pwrdown\_reg Details

Field Name	Bits	Type	Reset Value	Description
deeppowerdown_to_x1024	8:1	rw	0x0	DDR2 and DDR3: not sued. LPDDR2: Minimum deep power down time. DDR exits from deep power down mode immediately after reg_ddrc_deeppowerdown_en is deasserted. Value from the spec is 500us. Units are in 1024 clock cycles. For performance only.
deeppowerdown_en	0	rw	0x0	DDR2 and DDR3: not used. LPDDR2: 0: Brings Controller out of Deep Powerdown mode. 1: Puts DRAM into Deep Powerdown mode when the transaction store is empty. For performance only. Dynamic Bit Field.

Register ([ddrc](#)) reg\_2c

Name	reg_2c
Relative Address	0x000000B0
Absolute Address	0xF80060B0
Width	29 bits
Access Type	mixed
Reset Value	0x00000000
Description	Training control

Register reg\_2c Details

Field Name	Bits	Type	Reset Value	Description
reg_ddrc_dfi_rd_data_eye_train	28	rw	0x0	DDR2: not applicable. LPDDR2 and DDR3: 0: 1: Read Data Eye training mode has been enabled as part of init sequence.
reg_ddrc_dfi_rd_dqs_gate_level	27	rw	0x0	0: Read DQS gate leveling is disabled. 1: Read DQS Gate Leveling mode has been enabled as part of init sequence; Valid only for DDR3 DFI designs
reg_ddrc_dfi_wr_level_en	26	rw	0x0	0: Write leveling disabled. 1: Write leveling mode has been enabled as part of init sequence; Valid only for DDR3 DFI designs

Field Name	Bits	Type	Reset Value	Description
ddrc_reg_trdlvl_max_error	25	ro	0x0	DDR2: not applicable. LPDDR2 and DDR3: When '1' indicates that the reg_ddrc_dfi_rdlvl_max_x1024 timer has timed out. This is a Clear-on-Write register. If read leveling or gate training timed out, an error is indicated by the DDRC and this bit gets set. The value is held at that value until it is cleared. Clearing is done by writing a '0' to this register.
ddrc_reg_twrlvl_max_error	24	ro	0x0	When '1' indicates that the reg_ddrc_dfi_wrlvl_max_x1024 timer has timed out. This is a Clear-on-Write register. If write leveling timed out, an error is indicated by the DDRC and this bit gets set. The value is held until it is cleared. Clearing is done by writing a '0' to this register. Only present in designs that support DDR3.
dfi_rdlvl_max_x1024	23:12	rw	0x0	Read leveling maximum time. Specifies the maximum number of clock cycles that the controller will wait for a response (phy_dfi_rdlvl_resp) to a read leveling enable signal (ddrc_dfi_rdlvl_en or ddrc_dfi_rdlvl_gate_en). Only applicable when connecting to PHY's operating in 'PHY RdLvl Evaluation' mode. Typical value 0xFFF Units 1024 clocks
dfi_wrlvl_max_x1024	11:0	rw	0x0	Write leveling maximum time. Specifies the maximum number of clock cycles that the controller will wait for a response (phy_dfi_wrlvl_resp) to a write leveling enable signal (ddrc_dfi_wrlvl_en). Only applicable when connecting to PHY's operating in 'PHY WrLvl Evaluation' mode. Typical value 0xFFF Units 1024 clocks

Register ([ddrc](#)) reg\_2d

Name	reg_2d
Relative Address	0x000000B4
Absolute Address	0xF80060B4
Width	11 bits
Access Type	rw
Reset Value	0x00000200
Description	Misc Debug



Register reg\_2d Details

Field Name	Bits	Type	Reset Value	Description
reserved	10	rw	0x0	Reserved. Do not modify.
reg_ddrc_skip_ocrd	9	rw	0x1	This register must be kept at 1'b1. 1'b0 is NOT supported. 1: Indicates the controller to skip OCD adjustment step during DDR2 initialization. OCD_Default and OCD_Exit are performed instead. 0: Not supported.
reserved	8:0	rw	0x0	Reserved. Do not modify.

Register ([ddrc](#)) dfi\_timing

Name	dfi_timing
Relative Address	0x000000B8
Absolute Address	0xF80060B8
Width	25 bits
Access Type	rw
Reset Value	0x00200067
Description	DFI timing

Register dfi\_timing Details

Field Name	Bits	Type	Reset Value	Description
reg_ddrc_dfi_t_ctrlup_max	24:15	rw	0x40	Specifies the maximum number of clock cycles that the ddrc_dfi_ctrlupd_req signal can assert.
reg_ddrc_dfi_t_ctrlup_min	14:5	rw	0x3	Specifies the minimum number of clock cycles that the ddrc_dfi_ctrlupd_req signal must be asserted.
reg_ddrc_dfi_t_rddata_en	4:0	rw	0x7	Time from the assertion of a READ command on the DFI interface to the assertion of the phy_dfi_rddata_en signal. DDR2 and DDR3: RL - 1 LPDDR: RL Where RL is read latency of DRAM.

Register ([ddrc](#)) CHE\_ECC\_CONTROL\_REG\_OFFSET

Name	CHE_ECC_CONTROL_REG_OFFSET
Relative Address	0x000000C4
Absolute Address	0xF80060C4

Width 2 bits  
 Access Type rw  
 Reset Value 0x00000000  
 Description ECC error clear

Register CHE\_ECC\_CONTROL\_REG\_OFFSET Details

Field Name	Bits	Type	Reset Value	Description
Clear_Correctable_DR AM_ECC_error	1	rw	0x0	Writing 1 to this bit will clear the correctable log valid bit and the correctable error counters. Write 0 to this bit will start capturing incoming correctable error count.
Clear_Uncorrectable_D RAM_ECC_error	0	rw	0x0	Writing 1 to this bit will clear the uncorrectable log valid bit and the uncorrectable error counters. Write 0 to this bit will start capturing incoming uncorrectable error count.

Register ([ddrc](#)) CHE\_CORR\_ECC\_LOG\_REG\_OFFSET

Name CHE\_CORR\_ECC\_LOG\_REG\_OFFSET  
 Relative Address 0x000000C8  
 Absolute Address 0xF80060C8  
 Width 8 bits  
 Access Type mixed  
 Reset Value 0x00000000  
 Description ECC error correction

Register CHE\_CORR\_ECC\_LOG\_REG\_OFFSET Details

Field Name	Bits	Type	Reset Value	Description
ECC_CORRECTED_BIT_NUM	7:1	clon wr	0x0	Indicator of the bit number syndrome in error for single-bit errors. The field is 7-bit wide to handle 72-bits of data.  This is an encoded value with ECC bits placed in between data. The encoding is given in section 5.4 Correctable bit number from the lowest error lane is reported here. There are only 13-valid bits going to an ECC lane (8-data + 5-ECC). Only 4-bits are needed to encode a max value of d'13. Bit[7] of this register is used to indicate the exact byte lane. When a error happens, if CORR_ECC_LOG_COL[0] from register 0x33 is 1'b0, then the error happened in Lane 0 or 1. If CORR_ECC_LOG_COL[0] is 1'b1, then the error happened in Lane 2 or 3. Bit[7] of this register indicates whether the error is from upper or lower byte lane. If it is 0, then it is lower byte lane and if it is 1, then it is upper byte lane. Together with CORR_ECC_LOG_COL[0] and bit[7] of this register, the exact byte lane with correctable error can be determined.
CORR_ECC_LOG_VALID	0	ro	0x0	Set to 1 when a correctable ECC error is captured. As long as this is 1 no further ECC errors will be captured. This is cleared when a 1 is written to register bit[1] of ECC CONTROL REGISTER (0x31)

Register ([ddrc](#)) CHE\_CORR\_ECC\_ADDR\_REG\_OFFSET

Name	CHE_CORR_ECC_ADDR_REG_OFFSET
Relative Address	0x000000CC
Absolute Address	0xF80060CC
Width	31 bits
Access Type	ro
Reset Value	0x00000000
Description	ECC error correction address log

Register CHE\_CORR\_ECC\_ADDR\_REG\_OFFSET Details

Field Name	Bits	Type	Reset Value	Description
CORR_ECC_LOG_BANK	30:28	ro	0x0	Bank [2:0]

Field Name	Bits	Type	Reset Value	Description
CORR_ECC_LOG_ROW	27:12	ro	0x0	Row [15:0]
CORR_ECC_LOG_COLUMN	11:0	ro	0x0	Column [11:0]

### Register ([ddrc](#)) CHE\_CORR\_ECC\_DATA\_31\_0\_REG\_OFFSET

Name	CHE_CORR_ECC_DATA_31_0_REG_OFFSET
Relative Address	0x000000D0
Absolute Address	0xF80060D0
Width	32 bits
Access Type	ro
Reset Value	0x00000000
Description	ECC error correction data log low

#### Register CHE\_CORR\_ECC\_DATA\_31\_0\_REG\_OFFSET Details

Field Name	Bits	Type	Reset Value	Description
CORR_ECC_LOG_DATA_31_0	31:0	ro	0x0	Bits [31:0] of the data that caused the captured correctable ECC error. (Data associated with the first ECC error if multiple errors occurred since CORR_ECC_LOG_VALID was cleared). Since each ECC engine handles 8-bits of data, only the lower 8-bits of this register have valid data. The upper 24-bits will always be 0.

### Register ([ddrc](#)) CHE\_CORR\_ECC\_DATA\_63\_32\_REG\_OFFSET

Name	CHE_CORR_ECC_DATA_63_32_REG_OFFSET
Relative Address	0x000000D4
Absolute Address	0xF80060D4
Width	32 bits
Access Type	ro
Reset Value	0x00000000
Description	ECC error correction data log mid

Register CHE\_CORR\_ECC\_DATA\_63\_32\_REG\_OFFSET Details

Field Name	Bits	Type	Reset Value	Description
CORR_ECC_LOG_DATA_63_32	31:0	ro	0x0	Bits [63:32] of the data that caused the captured correctable ECC error. (Data associated with the first ECC error if multiple errors occurred since CORR_ECC_LOG_VALID was cleared) Since each ECC engine handles 8-bits of data and that is logged in register 0x34, all the 32-bits of this register will always be 0.

Register ([ddrc](#)) CHE\_CORR\_ECC\_DATA\_71\_64\_REG\_OFFSET

Name	CHE_CORR_ECC_DATA_71_64_REG_OFFSET
Relative Address	0x000000D8
Absolute Address	0xF80060D8
Width	8 bits
Access Type	ro
Reset Value	0x00000000
Description	ECC error correction data log high

Register CHE\_CORR\_ECC\_DATA\_71\_64\_REG\_OFFSET Details

Field Name	Bits	Type	Reset Value	Description
CORR_ECC_LOG_DATA_71_64	7:0	ro	0x0	Bits [71:64] of the data that caused the captured correctable ECC error. (Data associated with the first ECC error if multiple errors occurred since CORR_ECC_LOG_VALID was cleared) 5-bits of ECC are calculated over 8-bits of data. Bits[68:64] carries these 5-bits. Bits[71:69] are always 0.

Register ([ddrc](#)) CHE\_UNCORR\_ECC\_LOG\_REG\_OFFSET

Name	CHE_UNCORR_ECC_LOG_REG_OFFSET
Relative Address	0x000000DC
Absolute Address	0xF80060DC
Width	1 bits
Access Type	clonwr
Reset Value	0x00000000
Description	ECC unrecoverable error status

Register CHE\_UNCORR\_ECC\_LOG\_REG\_OFFSET Details

Field Name	Bits	Type	Reset Value	Description
UNCORR_ECC_LOG_VALID	0	clon wr	0x0	Set to 1 when an uncorrectable ECC error is captured. As long as this is a 1, no further ECC errors will be captured. This is cleared when a 1 is written to register bit[0] of ECC CONTROL REGISTER (0x31).

Register ([ddrc](#)) CHE\_UNCORR\_ECC\_ADDR\_REG\_OFFSET

Name	CHE_UNCORR_ECC_ADDR_REG_OFFSET
Relative Address	0x000000E0
Absolute Address	0xF80060E0
Width	31 bits
Access Type	ro
Reset Value	0x00000000
Description	ECC unrecoverable error address

Register CHE\_UNCORR\_ECC\_ADDR\_REG\_OFFSET Details

Field Name	Bits	Type	Reset Value	Description
UNCORR_ECC_LOG_BANK	30:28	ro	0x0	Bank [2:0]
UNCORR_ECC_LOG_ROW	27:12	ro	0x0	Row [15:0]
UNCORR_ECC_LOG_COL	11:0	ro	0x0	Column [11:0]

Register ([ddrc](#)) CHE\_UNCORR\_ECC\_DATA\_31\_0\_REG\_OFFSET

Name	CHE_UNCORR_ECC_DATA_31_0_REG_OFFSET
Relative Address	0x000000E4
Absolute Address	0xF80060E4
Width	32 bits
Access Type	ro
Reset Value	0x00000000
Description	ECC unrecoverable error data low

Register CHE\_UNCORR\_ECC\_DATA\_31\_0\_REG\_OFFSET Details

Field Name	Bits	Type	Reset Value	Description
UNCORR_ECC_LOG_DAT_31_0	31:0	ro	0x0	bits [31:0] of the data that caused the captured uncorrectable ECC error. (Data associated with the first ECC error if multiple errors occurred since UNCORR_ECC_LOG_VALID was cleared). Since each ECC engine handles 8-bits of data, only the lower 8-bits of this register have valid data. The upper 24-bits will always be 0.

Register ([ddrc](#)) CHE\_UNCORR\_ECC\_DATA\_63\_32\_REG\_OFFSET

Name	CHE_UNCORR_ECC_DATA_63_32_REG_OFFSET
Relative Address	0x000000E8
Absolute Address	0xF80060E8
Width	32 bits
Access Type	ro
Reset Value	0x00000000
Description	ECC unrecoverable error data middle

Register CHE\_UNCORR\_ECC\_DATA\_63\_32\_REG\_OFFSET Details

Field Name	Bits	Type	Reset Value	Description
UNCORR_ECC_LOG_DAT_63_32	31:0	ro	0x0	bits [63:32] of the data that caused the captured uncorrectable ECC error. (Data associated with the first ECC error if multiple errors occurred since CORR_ECC_LOG_VALID was cleared) Since each ECC engine handles 8-bits of data and that is logged in register 0x34, all the 32-bits of this register will always be 0.

Register ([ddrc](#)) CHE\_UNCORR\_ECC\_DATA\_71\_64\_REG\_OFFSET

Name	CHE_UNCORR_ECC_DATA_71_64_REG_OFFSET
Relative Address	0x000000EC
Absolute Address	0xF80060EC
Width	8 bits
Access Type	ro
Reset Value	0x00000000
Description	ECC unrecoverable error data high

Register CHE\_UNCORR\_ECC\_DATA\_71\_64\_REG\_OFFSET Details

Field Name	Bits	Type	Reset Value	Description
UNCORR_ECC_LOG_DAT_71_64	7:0	ro	0x0	bits [71:64] of the data that caused the captured uncorrectable ECC error. (Data associated with the first ECC error if multiple errors occurred since UNCORR_ECC_LOG_VALID was cleared) 5-bits of ECC are calculated over 8-bits of data. Bits[68:64] carries these 5-bits. Bits[71:69] are always 0.

Register ([ddrc](#)) CHE\_ECC\_STATS\_REG\_OFFSET

Name	CHE_ECC_STATS_REG_OFFSET
Relative Address	0x000000F0
Absolute Address	0xF80060F0
Width	16 bits
Access Type	clonwr
Reset Value	0x00000000
Description	ECC error count

Register CHE\_ECC\_STATS\_REG\_OFFSET Details

Field Name	Bits	Type	Reset Value	Description
STAT_NUM_CORR_ERR	15:8	clonwr	0x0	Returns the number of correctable ECC errors seen since the last read. Counter saturates at max value. This is cleared when a 1 is written to register bit[1] of ECC CONTROL REGISTER (0x58).
STAT_NUM_UNCORR_ERR	7:0	clonwr	0x0	Returns the number of uncorrectable errors since the last read. Counter saturates at max value. This is cleared when a 1 is written to register bit[0] of ECC CONTROL REGISTER (0x58).

Register ([ddrc](#)) ECC\_scrub

Name	ECC_scrub
Relative Address	0x000000F4
Absolute Address	0xF80060F4
Width	4 bits
Access Type	rw
Reset Value	0x00000008
Description	ECC mode/scrub



Register ECC\_scrub Details

Field Name	Bits	Type	Reset Value	Description
reg_ddrc_dis_scrub	3	rw	0x1	0: Enable ECC scrubs (valid only when reg_ddrc_ecc_mode = 100). 1: Disable ECC scrubs
reg_ddrc_ecc_mode	2:0	rw	0x0	DRAM ECC Mode. The only valid values that works for this project are 000 (No ECC) and 100 (SEC/DED over 1-beat). To run the design in ECC mode, set reg_ddrc_data_bus_width to 2'b01 (Half bus width) and reg_ddrc_ecc_mode to 100. In this mode, there will be 16-data bits + 6-bit ECC on the DRAM bus. Controller must NOT be put in full bus width mode, when ECC is turned ON. 000 : No ECC, 001: Reserved 010: Parity 011: Reserved 100: SEC/DED over 1-beat 101: SEC/DED over multiple beats 110: Device Correction 111: Reserved

Register ([ddrc](#)) CHE\_ECC\_CORR\_BIT\_MASK\_31\_0\_REG\_OFFSET

Name	CHE_ECC_CORR_BIT_MASK_31_0_REG_OFFSET
Relative Address	0x000000F8
Absolute Address	0xF80060F8
Width	32 bits
Access Type	ro
Reset Value	0x00000000
Description	ECC data mask low

Register CHE\_ECC\_CORR\_BIT\_MASK\_31\_0\_REG\_OFFSET Details

Field Name	Bits	Type	Reset Value	Description
ddrc_reg_ecc_corr_bit_mask	31:0	ro	0x0	Bits [31:0] of ddr_reg_ecc_corr_bit_mask register. Indicates the mask of the corrected data. 1 - on any bit indicates that the bit has been corrected by the DRAM ECC logic 0 - on any bit indicates that the bit has NOT been corrected by the DRAM ECC logic. Valid when any bit of 'ddrc_reg_ecc_corrected_err' is high. This mask doesn't indicate any correction that has been made in the ECC check bits. If there are errors in multiple lanes, then this signal will have the mask for the lowest lane. Each ECC engine works on 8-bits of data. Hence only the lower 8-bits carry valid information. Upper 24-bits are always 0.

Register ([ddrc](#)) CHE\_ECC\_CORR\_BIT\_MASK\_63\_32\_REG\_OFFSET

Name	CHE_ECC_CORR_BIT_MASK_63_32_REG_OFFSET
Relative Address	0x000000FC
Absolute Address	0xF80060FC
Width	32 bits
Access Type	ro
Reset Value	0x00000000
Description	ECC data mask high

Register CHE\_ECC\_CORR\_BIT\_MASK\_63\_32\_REG\_OFFSET Details

Field Name	Bits	Type	Reset Value	Description
ddrc_reg_ecc_corr_bit_mask	31:0	ro	0x0	Bits [63:32] of ddr_reg_ecc_corr_bit_mask register. Indicates the mask of the corrected data. 1 - on any bit indicates that the bit has been corrected by the DRAM ECC logic 0 - on any bit indicates that the bit has NOT been corrected by the DRAM ECC logic. Valid when any bit of 'ddrc_reg_ecc_corrected_err' is high. This mask doesn't indicate any correction that has been made in the ECC check bits. If there are errors in multiple lanes, then this signal will have the mask for the lowest lane. Each ECC engine works on 8-bits of data and this is reported in register 0x3E. All 32-bits of this register are 0 always.

Register ([ddrc](#)) phy\_rcvr\_enable

Name	phy_rcvr_enable
------	-----------------

Relative Address        0x00000114  
 Absolute Address      0xF8006114  
 Width                    8 bits  
 Access Type            rw  
 Reset Value            0x00000000  
 Description            Phy receiver enable register

Register phy\_rcvr\_enable Details

Field Name	Bits	Type	Reset Value	Description
reg_phy_dif_off	7:4	rw	0x0	Value to drive to IO receiver enable pins when turning it OFF. When in powerdown or self-refresh (CKE=0) this value will be sent to the IOs to control receiver on/off. IOD is the size specified by the IO_DIFEN_SIZE parameter. Depending on the IO, one of these signals dif_on or dif_off can be used.
reg_phy_dif_on	3:0	rw	0x0	Value to drive to IO receiver enable pins when turning it ON. When NOT in powerdown or self-refresh (when CKE=1) this value will be sent to the IOs to control receiver on/off. IOD is the size specified by the IO_DIFEN_SIZE parameter.

Register ([ddrc](#)) PHY\_Config0

Name                    PHY\_Config0  
 Relative Address      0x00000118  
 Absolute Address      0xF8006118  
 Width                    31 bits  
 Access Type            rw  
 Reset Value            0x40000001  
 Description            PHY configuration register for data slice 0.

Note: This register is the first in an array of 4 identical registers listed in the table below. The details provided in this section apply to the entire array.

Name	Address
PHY_Config0	0xf8006118
PHY_Config1	0xf800611c
PHY_Config2	0xf8006120
PHY_Config3	0xf8006124

Register PHY\_Config0 to PHY\_Config3 Details

Field Name	Bits	Type	Reset Value	Description
reg_phy_dq_offset	30:24	rw	0x40	Offset value from DQS to DQ. Default value: 0x40 (for 90 degree shift). This is only used when reg_phy_use_wr_level=1. #Note 1: When a port width (W) is multiple of N instances of Ranks or Slices, each instance will get W/N bits. Instance n will get (n+1)*(W/N) -1: n (W/N) bits where n (0, 1, to N-1) is the instance number of Rank or Slice.
reserved	23:15	rw	0x0	Reserved. Do not modify.
reserved	14:6	rw	0x0	Reserved. Do not modify.
reserved	5	rw	0x0	Reserved. Do not modify.
reserved	4	rw	0x0	Reserved. Do not modify.
reg_phy_wrlvl_inc_mode	3	rw	0x0	reserved
reg_phy_gatlvl_inc_mode	2	rw	0x0	reserved
reg_phy_rdlvl_inc_mode	1	rw	0x0	reserved
reg_phy_data_slice_in_use	0	rw	0x1	Data bus width selection for Read FIFO RE generation. One bit for each data slice. 0: read data responses are ignored. 1: data slice is valid. Note: The Phy Data Slice 0 must always be enabled.

Register ([ddrc](#)) phy\_init\_ratio0

Name	phy_init_ratio0
Relative Address	0x0000012C
Absolute Address	0xF800612C
Width	20 bits
Access Type	rw

Reset Value 0x00000000  
 Description PHY init ratio register for data slice 0.

Note: This register is the first in an array of 4 identical registers listed in the table below. The details provided in this section apply to the entire array.

Name	Address
phy_init_ratio0	0xf800612c
phy_init_ratio1	0xf8006130
phy_init_ratio2	0xf8006134
phy_init_ratio3	0xf8006138

Register phy\_init\_ratio0 to phy\_init\_ratio3 Details

Field Name	Bits	Type	Reset Value	Description
reg_phy_gatlvl_init_ratio	19:10	rw	0x0	The user programmable init ratio used Gate Leveling FSM
reg_phy_wrlvl_init_ratio	9:0	rw	0x0	The user programmable init ratio used by Write Leveling FSM

Register ([ddrc](#)) phy\_rd\_dqs\_cfg0

Name phy\_rd\_dqs\_cfg0  
 Relative Address 0x00000140  
 Absolute Address 0xF8006140  
 Width 20 bits  
 Access Type rw  
 Reset Value 0x00000040  
 Description PHY read DQS configuration register for data slice 0.

Note: This register is the first in an array of 4 identical registers listed in the table below. The details provided in this section apply to the entire array.

Name	Address
phy_rd_dqs_cfg0	0xf8006140
phy_rd_dqs_cfg1	0xf8006144
phy_rd_dqs_cfg2	0xf8006148
phy_rd_dqs_cfg3	0xf800614c

Register phy\_rd\_dqs\_cfg0 to phy\_rd\_dqs\_cfg3 Details

Field Name	Bits	Type	Reset Value	Description
reg_phy_rd_dqs_slave_delay	19:11	rw	0x0	If reg_phy_rd_dqs_slave_force is 1, replace delay/tap value for read DQS slave DLL with this value.
reg_phy_rd_dqs_slave_force	10	rw	0x0	0: Use reg_phy_rd_dqs_slave_ratio for the read DQS slave DLL 1: overwrite the delay/tap value for read DQS slave DLL with the value of the reg_phy_rd_dqs_slave_delay bus.
reg_phy_rd_dqs_slave_ratio	9:0	rw	0x40	Ratio value for read DQS slave DLL. This is the fraction of a clock cycle represented by the shift to be applied to the read DQS in units of 256ths. In other words, the full-cycle tap value from the master DLL will be scaled by this number over 256 to get the delay value for the slave delay line. Provide a default value of 0x40 for most applications

Register ([ddrc](#)) phy\_wr\_dqs\_cfg0

Name	phy_wr_dqs_cfg0
Relative Address	0x00000154
Absolute Address	0xF8006154
Width	20 bits
Access Type	rw
Reset Value	0x00000000
Description	PHY write DQS configuration register for data slice 0.

Note: This register is the first in an array of 4 identical registers listed in the table below. The details provided in this section apply to the entire array.

Name	Address
phy_wr_dqs_cfg0	0xf8006154
phy_wr_dqs_cfg1	0xf8006158
phy_wr_dqs_cfg2	0xf800615c
phy_wr_dqs_cfg3	0xf8006160

Register phy\_wr\_dqs\_cfg0 to phy\_wr\_dqs\_cfg3 Details

Field Name	Bits	Type	Reset Value	Description
reg_phy_wr_dqs_slave_delay	19:11	rw	0x0	If reg_phy_wr_dqs_slave_force is 1, replace delay/tap value for write DQS slave DLL with this value.
reg_phy_wr_dqs_slave_force	10	rw	0x0	0: Use reg_phy_wr_dqs_slave_ratio for the write DQS slave DLL 1: overwrite the delay/tap value for write DQS slave DLL with the value of the reg_phy_wr_dqs_slave_delay bus.
reg_phy_wr_dqs_slave_ratio	9:0	rw	0x0	Ratio value for write DQS slave DLL. This is the fraction of a clock cycle represented by the shift to be applied to the write DQS in units of 256ths. In other words, the full-cycle tap value from the master DLL will be scaled by this number over 256 to get the delay value for the slave delay line. (Used to program the manual training ratio value)

Register ([ddrc](#)) phy\_we\_cfg0

Name	phy_we_cfg0
Relative Address	0x00000168
Absolute Address	0xF8006168
Width	21 bits
Access Type	rw
Reset Value	0x00000040
Description	PHY FIFO write enable configuration for data slice 0.

Note: This register is the first in an array of 4 identical registers listed in the table below. The details provided in this section apply to the entire array.

Name	Address
phy_we_cfg0	0xf8006168
phy_we_cfg1	0xf800616c
phy_we_cfg2	0xf8006170
phy_we_cfg3	0xf8006174

Register phy\_we\_cfg0 to phy\_we\_cfg3 Details

Field Name	Bits	Type	Reset Value	Description
reg_phy_fifo_we_in_delay	20:12	rw	0x0	Delay value to be used when reg_phy_fifo_we_in_force is set to 1.
reg_phy_fifo_we_in_force	11	rw	0x0	0: Use reg_phy_fifo_we_slave_ratio as ratio value for fifo_we_X slave DLL 1: overwrite the delay/tap value for fifo_we_X slave DLL with the value of the reg_phy_fifo_we_in_delay bus. i.e. The 'force' bit selects between specifying the delay in 'ratio' units or tap delay units
reg_phy_fifo_we_slave_ratio	10:0	rw	0x40	Ratio value to be used when reg_phy_fifo_we_in_force is set to 0.

Register ([ddrc](#)) wr\_data\_slv0

Name	wr_data_slv0
Relative Address	0x0000017C
Absolute Address	0xF800617C
Width	20 bits
Access Type	rw
Reset Value	0x00000080
Description	PHY write data slave ratio config for data slice 0.

Note: This register is the first in an array of 4 identical registers listed in the table below. The details provided in this section apply to the entire array.

Name	Address
wr_data_slv0	0xf800617c
wr_data_slv1	0xf8006180
wr_data_slv2	0xf8006184
wr_data_slv3	0xf8006188



Register wr\_data\_slv0 to wr\_data\_slv3 Details

Field Name	Bits	Type	Reset Value	Description
reg_phy_wr_data_slave_delay	19:11	rw	0x0	If reg_phy_wr_data_slave_force is 1, replace delay/tap value for write data slave DLL with this value.
reg_phy_wr_data_slave_force	10	rw	0x0	0: Selects reg_phy_wr_data_slave_ratio for write data slave DLL 1: overwrite the delay/tap value for write data slave DLL with the value of the reg_phy_wr_data_slave_force bus.
reg_phy_wr_data_slave_ratio	9:0	rw	0x80	Ratio value for write data slave DLL. This is the fraction of a clock cycle represented by the shift to be applied to the write DQ muxes in units of 256ths. In other words, the full-cycle tap value from the master DLL will be scaled by this number over 256 to get the delay value for the slave delay line.

Register ([ddrc](#)) reg\_64

Name	reg_64
Relative Address	0x00000190
Absolute Address	0xF8006190
Width	32 bits
Access Type	rw
Reset Value	0x10020000
Description	Training control 2

Register reg\_64 Details

Field Name	Bits	Type	Reset Value	Description
reserved	31	rw	0x0	Reserved. Do not modify.
reg_phy_cmd_latency	30	rw	0x0	If set to 1, command comes to phy_ctrl through a flop.
reg_phy_lpddr	29	rw	0x0	0: DDR2 or DDR3. 1: LPDDR2.
reserved	28	rw	0x1	Reserved. Do not modify.
reg_phy_ctrl_slave_delay	27:21	rw	0x0	If reg_phy_rd_dqs_slave_force is 1, replace delay/tap value for address/command timing slave DLL with this value. This is a bit value, the remaining 2 bits are in register 0x65 bits[19:18].

Field Name	Bits	Type	Reset Value	Description
reg_phy_ctrl_slave_force	20	rw	0x0	0: Use reg_phy_ctrl_slave_ratio for address/command timing slave DLL 1: overwrite the delay/tap value for address/command timing slave DLL with the value of the reg_phy_rd_dqs_slave_delay bus.
reg_phy_ctrl_slave_ratio	19:10	rw	0x80	Ratio value for address/command launch timing in phy_ctrl macro. This is the fraction of a clock cycle represented by the shift to be applied to the read DQS in units of 256ths. In other words, the full cycle tap value from the master DLL will be scaled by this number over 256 to get the delay value for the slave delay line.
reg_phy_sel_logic	9	rw	0x0	Selects one of the two read leveling algorithms. 'b0: Select algorithm # 1 'b1: Select algorithm # 2 Please refer to Read Data Eye Training section in PHY User Guide for details about the Read Leveling algorithms
reserved	8	rw	0x0	Reserved. Do not modify.
reg_phy_invert_clkout	7	rw	0x0	Inverts the polarity of DRAM clock. 0: core clock is passed on to DRAM 1: inverted core clock is passed on to DRAM. Use this when CLK can arrive at a DRAM device ahead of DQS or coincidence with DQS based on board topology. This effectively delays the CLK to the DRAM device by half -cycle, providing a CLK edge that DQS can align to during leveling.
reserved	6:5	rw	0x0	Reserved. Do not modify.
reserved	4	rw	0x0	Reserved. Do not modify.
reserved	3	rw	0x0	Reserved. Do not modify.
reserved	2	rw	0x0	Reserved. Do not modify.
reg_phy_bl2	1	rw	0x0	Reserved for future Use.
reserved	0	rw	0x0	Reserved. Do not modify.

Register ([ddrc](#)) reg\_65

Name reg\_65  
 Relative Address 0x00000194  
 Absolute Address 0xF8006194  
 Width 20 bits  
 Access Type rw

Reset Value                    0x00000000  
 Description                    Training control 3

Register reg\_65 Details

Field Name	Bits	Type	Reset Value	Description
reg_phy_ctrl_slave_delay	19:18	rw	0x0	If reg-phy_rd_dqs_slave_force is 1, replace delay/tap value for address/command timing slave DLL with this value
reg_phy_dis_calib_rst	17	rw	0x0	Disable the dll_calib (internally generated) signal from resetting the Read Capture FIFO pointers and portions of phy_data. Note: dll_calib is (i) generated by dfi_ctrl_upd_req or (ii) by the PHY when it detects that the clock frequency variation has exceeded the bounds set by reg_phy_dll_lock_diff or (iii) periodically throughout the leveling process. dll_calib will update the slave DL with PVT-compensated values according to master DLL outputs
reg_phy_use_rd_data_eye_level	16	rw	0x0	Read Data Eye training control. 0: Use register programmed ratio values 1: Use ratio for delay line calculated by data eye leveling Note: This is a Synchronous dynamic signal that requires timing closure
reg_phy_use_rd_dqs_gate_level	15	rw	0x0	Read DQS Gate training control. 0: Use register programmed ratio values 1: Use ratio for delay line calculated by DQS gate leveling Note: This is a Synchronous dynamic signal that requires timing closure.
reg_phy_use_wr_level	14	rw	0x0	Write Leveling training control. 0: Use register programmed ratio values 1: Use ratio for delay line calculated by write leveling Note: This is a Synchronous dynamic signal that requires timing closure.
reg_phy_dll_lock_diff	13:10	rw	0x0	The Maximum number of delay line taps variation allowed while maintaining the master DLL lock. When the PHY is in locked state and the variation on the clock exceeds the variation indicated by the register, the lock signal is deasserted

Field Name	Bits	Type	Reset Value	Description
reg_phy_rd_rl_delay	9:5	rw	0x0	This delay determines when to select the active rank's ratio logic delay for Read Data and Read DQS slave delay lines after PHY receives a read command at Control Interface. The programmed value must be (Read Latency - 3) with a minimum value of 1.
reg_phy_wr_rl_delay	4:0	rw	0x0	This delay determines when to select the active rank's ratio logic delay for Write Data and Write DQS slave delay lines after PHY receives a write command at Control Interface. The programmed value must be (Write Latency - 4) with a minimum value of 1.

The fifo\_we\_slave ratios for each slice(0 through 3) must be interpreted by software in the following way:

Slice 0: fifo\_we\_ratio\_slice\_0[10:0] = {Reg\_6A[9],Reg\_69[18:9]}

Slice1: fifo\_we\_ratio\_slice\_1[10:0] = {Reg\_6B[10:9],Reg\_6A[18:10]}

Slice2: fifo\_we\_ratio\_slice\_2[10:0] = {Reg\_6C[11:9],Reg\_6B[18:11]}

Slice3: fifo\_we\_ratio\_slice\_3[10:0] = {phy\_reg\_rdlvl\_fifowein\_ratio\_slice3\_msb,Reg\_6C[18:12]}

### Register ([ddrc](#)) reg69\_6a0

Name	reg69_6a0
Relative Address	0x000001A4
Absolute Address	0xF80061A4
Width	29 bits
Access Type	ro
Reset Value	0x00070000
Description	Training results for data slice %d.

#### Register reg69\_6a0 Details

Field Name	Bits	Type	Reset Value	Description
phy_reg_status_fifo_w e_slave_dll_value	27:19	ro	0x0	Delay value applied to FIFO WE slave DLL.
phy_reg_rdlvl_fifowe in_ratio	18:9	ro	0x380	Ratio value generated by Read Gate training FSM.
reserved	8:0	ro	0x0	Reserved. Do not modify.

### Register ([ddrc](#)) reg69\_6a1

Name	reg69_6a1
------	-----------

Relative Address 0x000001A8  
 Absolute Address 0xF80061A8  
 Width 29 bits  
 Access Type ro  
 Reset Value 0x00060200  
 Description Training results for data slice %d.

Register reg69\_6a1 Details

Field Name	Bits	Type	Reset Value	Description
phy_reg_status_fifo_w e_slave_dll_value	27:19	ro	0x0	Delay value applied to FIFO WE slave DLL.
phy_reg_rdlvl_fifowe i_n_ratio	18:9	ro	0x301	Ratio value generated by Read Gate training FSM.
reserved	8:0	ro	0x0	Reserved. Do not modify.

Register ([ddrc](#)) reg6c\_6d2

Name reg6c\_6d2  
 Relative Address 0x000001B0  
 Absolute Address 0xF80061B0  
 Width 28 bits  
 Access Type ro  
 Reset Value 0x00040600  
 Description Training results for data slice %d.

Register reg6c\_6d2 Details

Field Name	Bits	Type	Reset Value	Description
phy_reg_status_fifo_w e_slave_dll_value	27:19	ro	0x0	Delay value applied to FIFO WE slave DLL.
phy_reg_rdlvl_fifowe i_n_ratio	18:9	ro	0x203	Ratio value generated by Read Gate training FSM.
phy_reg_bist_err	8:0	ro	0x0	Mismatch error flag from the BIST Checker. 1 bit per data slice. 1'b1: Pattern mismatch error 1'b0: All patterns matched This is a sticky flag. In order to clear this bit, port reg_phy_bist_err_clr must be set HIGH. Note that reg6b is unused.

### Register ([ddrc](#)) reg6c\_6d3

Name	reg6c_6d3
Relative Address	0x000001B4
Absolute Address	0xF80061B4
Width	28 bits
Access Type	ro
Reset Value	0x00000E00
Description	Training results for data slice %d.

#### Register reg6c\_6d3 Details

Field Name	Bits	Type	Reset Value	Description
phy_reg_status_fifo_w e_slave_dll_value	27:19	ro	0x0	Delay value applied to FIFO WE slave DLL.
phy_reg_rdlvl_fifowei n_ratio	18:9	ro	0x7	Ratio value generated by Read Gate training FSM.
phy_reg_bist_err	8:0	ro	0x0	Mismatch error flag from the BIST Checker. 1 bit per data slice. 1'b1: Pattern mismatch error 1'b0: All patterns matched This is a sticky flag. In order to clear this bit, port reg_phy_bist_err_clr must be set HIGH. Note that reg6b is unused.

### Register ([ddrc](#)) reg6e\_710

Name	reg6e_710
Relative Address	0x000001B8
Absolute Address	0xF80061B8
Width	30 bits
Access Type	ro
Reset Value	x
Description	Training results (2) for data slice 0.

Note: This register is the first in an array of 4 identical registers listed in the table below. The details provided in this section apply to the entire array.

Name	Address
reg6e_710	0xf80061b8
reg6e_711	0xf80061bc
reg6e_712	0xf80061c0
reg6e_713	0xf80061c4

Register reg6e\_710 to reg6e\_713 Details

Field Name	Bits	Type	Reset Value	Description
phy_reg_rdlvl_dqs_ratio	29:20	ro	x	Ratio value generated by Read Data Eye training FSM.
phy_reg_wrlvl_dq_ratio	19:10	ro	x	Ratio value generated by the write leveling FSM for Write Data.
phy_reg_wrlvl_dqs_ratio	9:0	ro	x	Ratio value generated by the write leveling FSM for Write DQS.

Register ([ddrc](#)) phy\_dll\_sts0

Name	phy_dll_sts0
Relative Address	0x000001CC
Absolute Address	0xF80061CC
Width	27 bits
Access Type	ro
Reset Value	0x00000000
Description	Slave DLL results for data slice 0.

Note: This register is the first in an array of 4 identical registers listed in the table below. The details provided in this section apply to the entire array.

Name	Address
phy_dll_sts0	0xf80061cc
phy_dll_sts1	0xf80061d0
phy_dll_sts2	0xf80061d4
phy_dll_sts3	0xf80061d8

Register phy\_dll\_sts0 to phy\_dll\_sts3 Details

Field Name	Bits	Type	Reset Value	Description
phy_reg_status_wr_dqs_slave_dll_value	26:18	ro	0x0	Delay value applied to write DQS slave DLL
phy_reg_status_wr_data_slave_dll_value	17:9	ro	0x0	Delay value applied to write data slave DLL
phy_reg_status_rd_dqs_slave_dll_value	8:0	ro	0x0	Delay value applied to read data slave DLL

Register ([ddrc](#)) dll\_lock\_sts

Name	dll_lock_sts
------	--------------

Relative Address 0x000001E0  
 Absolute Address 0xF80061E0  
 Width 24 bits  
 Access Type ro  
 Reset Value 0x00F00000  
 Description DLL Lock Status, read

Register `dll_lock_sts` Details

Field Name	Bits	Type	Reset Value	Description
<code>phy_reg_rdlvl_fifo_wein_ratio_slice3_msb</code>	23:20	ro	0xF	Used as 4-msbits of slice3's ratio value generated by Read Gate training FSM. Refer to description of <code>reg69_6a[1:0]</code> , <code>fifo_we_slave</code> ratio, for more details
<code>phy_reg_status_dll_slave_value_1</code>	19:11	ro	0x0	Shows the current Coarse and Fine delay values going to all the Slave DLLs [1:0] - Fine value [8:2] - Coarse value (For Master DLL 1)
<code>phy_reg_status_dll_slave_value_0</code>	10:2	ro	0x0	Shows the current Coarse and Fine delay values going to all the Slave DLLs [1:0] - Fine value [8:2] - Coarse value (For Master DLL 0)
<code>phy_reg_status_dll_lock_1</code>	1	ro	0x0	Status Master DLL 1 signal: 0: not locked 1: locked
<code>phy_reg_status_dll_lock_0</code>	0	ro	0x0	Master DLL 0 Status signal: 0: not locked 1: locked

Register ([ddrc](#)) `phy_ctrl_sts`

Name `phy_ctrl_sts`  
 Relative Address 0x000001E4  
 Absolute Address 0xF80061E4  
 Width 30 bits  
 Access Type ro  
 Reset Value x  
 Description PHY Control status, read



Register phy\_ctrl\_sts Details

Field Name	Bits	Type	Reset Value	Description
phy_reg_status_phy_ctrl_of_in_lock_state	29:28	ro	0x0	Lock status from Master DLL Output Filter. 0: not locked, 1: locked. Bit 28: Fine delay line. Bit 29: Coarse delay line.
phy_reg_status_phy_ctrl_dll_slave_value	27:20	ro	0x0	Values applied to the PHY_CTRL Slave DLL: Bit field 21:20 is the Fine value Bit field 27:22 is the Course value
phy_reg_status_phy_ctrl_dll_lock	19	ro	0x0	PHY Control Master DLL Status: 0: not locked, 1: locked
phy_reg_status_of_out_delay_value	18:10	ro	x	Values from Master DDL Output Filter (no default value). Bit field 11:10 is the Fine value Bit field 18:12 is the Coarse value
phy_reg_status_of_in_delay_value	9:0	ro	x	Values applied to Master DDL Output Filter (no default value): Bit field 1:0 is the Fine value Bit field 9:2 is the Coarse value

Register ([ddrc](#)) phy\_ctrl\_sts\_reg2

Name	phy_ctrl_sts_reg2
Relative Address	0x000001E8
Absolute Address	0xF80061E8
Width	27 bits
Access Type	ro
Reset Value	0x00000013
Description	PHY Control status (2), read

Register phy\_ctrl\_sts\_reg2 Details

Field Name	Bits	Type	Reset Value	Description
phy_reg_status_phy_ctrl_slave_dll_value	26:18	ro	0x0	Delay value applied to read DQS slave DLL.
reserved	17:9	ro	0x0	reserved
phy_reg_status_phy_ctrl_of_in_delay_value	8:0	ro	0x13	Values applied to Master DLL Output Filter: Bit field 1:0 is the Fine value Bit field 8:2 is the Coarse value

### Register ([ddrc](#)) axi\_id

Name	axi_id
Relative Address	0x00000200
Absolute Address	0xF8006200
Width	26 bits
Access Type	ro
Reset Value	0x00153042
Description	ID and revision information

#### Register axi\_id Details

Field Name	Bits	Type	Reset Value	Description
reg_arb_rev_num	25:20	ro	0x1	Revision Number
reg_arb_prov_num	19:12	ro	0x53	Prov number
reg_arb_part_num	11:0	ro	0x42	Part Number

### Register ([ddrc](#)) page\_mask

Name	page_mask
Relative Address	0x00000204
Absolute Address	0xF8006204
Width	32 bits
Access Type	rw
Reset Value	0x00000000
Description	Page mask

#### Register page\_mask Details

Field Name	Bits	Type	Reset Value	Description
reg_arb_page_addr_mask	31:0	rw	0x0	<p>Set this register based on the value programmed on the reg_ddrc_addrmap_* registers.</p> <p>Set the Column address bits to 0. Set the Page and Bank address bits to 1.</p> <p>This is used for calculating page_match inside the slave modules in Arbiter. The page_match is considered during the arbitration process. This mask applies to 64-bit address and not byte address.</p> <p>Setting this value to 0 disables transaction prioritization based on page/bank match.</p>

Register ([ddrc](#)) axi\_priority\_wr\_port0

Name	axi_priority_wr_port0
Relative Address	0x00000208
Absolute Address	0xF8006208
Width	20 bits
Access Type	mixed
Reset Value	0x000803FF
Description	AXI Priority control for write port 0.

Note: This register is the first in an array of 4 identical registers listed in the table below. The details provided in this section apply to the entire array.

Name	Address
axi_priority_wr_port0	0xf8006208
axi_priority_wr_port1	0xf800620c
axi_priority_wr_port2	0xf8006210
axi_priority_wr_port3	0xf8006214

Register axi\_priority\_wr\_port0 to axi\_priority\_wr\_port3 Details

Field Name	Bits	Type	Reset Value	Description
reserved	19	rw	0x1	Reserved. Do not modify.
reg_arb_dis_page_mat ch_wr_portn	18	rw	0x0	Disable the page match feature.
reg_arb_disable_urgent t_wr_portn	17	rw	0x0	Disable urgent for this Write Port.
reg_arb_disable_aging _wr_portn	16	rw	0x0	Disable aging for this Write Port.
reserved	15:10	ro	0x0	Reserved
reg_arb_pri_wr_portn	9:0	rw	0x3FF	Priority of this Write Port n. Value in this register used to load the aging counters (when respective port request is asserted and grant is generated to that port). These register can be reprogrammed to set priority of each port. Lower the value more will be priority given to the port. For example if 0x82 (port 0) value is set to 'h3FF, and 0x83 (port 1) is set to 'h0FF, and both port0 and port1 have requests, in this case port1 will get high priority and grant will be given to port1. Note that the minimum write priority should be set to 0x4.

Register ([ddrc](#)) axi\_priority\_rd\_port0

Name	axi_priority_rd_port0
Relative Address	0x00000218
Absolute Address	0xF8006218
Width	20 bits
Access Type	mixed
Reset Value	0x000003FF
Description	AXI Priority control for read port 0.

Note: This register is the first in an array of 4 identical registers listed in the table below. The details provided in this section apply to the entire array.

Name	Address
axi_priority_rd_port0	0xf8006218
axi_priority_rd_port1	0xf800621c
axi_priority_rd_port2	0xf8006220
axi_priority_rd_port3	0xf8006224

Register axi\_priority\_rd\_port0 to axi\_priority\_rd\_port3 Details

Field Name	Bits	Type	Reset Value	Description
reg_arb_set_hpr_rd_portn	19	rw	0x0	Enable reads to be generated as HPR for this Read Port.
reg_arb_dis_page_match_rd_portn	18	rw	0x0	Disable the page match feature.
reg_arb_disable_urgent_rd_portn	17	rw	0x0	Disable urgent for this Read Port.
reg_arb_disable_aging_rd_portn	16	rw	0x0	Disable aging for this Read Port.
reserved	15:10	ro	0x0	Reserved. Do not modify.
reg_arb_pri_rd_portn	9:0	rw	0x3FF	Priority of this Read Port n. Value in this register used to load the aging counters (when respective port request is asserted and grant is generated to that port). These register can be reprogrammed to set priority of each port. Lower the value more will be priority given to the port. For example if 0x82 (port 0) value is set to 'h3FF, and 0x83 (port 1) is set to 'h0FF, and both port0 and port1 have requests, in this case port1 will get high priority and grant will be given to port1.

### Register ([ddrc](#)) excl\_access\_cfg0

Name	excl_access_cfg0
Relative Address	0x00000294
Absolute Address	0xF8006294
Width	18 bits
Access Type	rw
Reset Value	0x00000000
Description	Exclusive access configuration for port 0.

Note: This register is the first in an array of 4 identical registers listed in the table below. The details provided in this section apply to the entire array.

Name	Address
excl_access_cfg0	0xf8006294
excl_access_cfg1	0xf8006298
excl_access_cfg2	0xf800629c
excl_access_cfg3	0xf80062a0

#### Register excl\_access\_cfg0 to excl\_access\_cfg3 Details

Field Name	Bits	Type	Reset Value	Description
reg_excl_acc_id1_port	17:9	rw	0x0	Reserved
reg_excl_acc_id0_port	8:0	rw	0x0	Reserved

### Register ([ddrc](#)) mode\_reg\_read

Name	mode_reg_read
Relative Address	0x000002A4
Absolute Address	0xF80062A4
Width	32 bits
Access Type	ro
Reset Value	0x00000000
Description	Mode register read data

#### Register mode\_reg\_read Details

This registers is applicable only when LPDDR2 is selected.

Field Name	Bits	Type	Reset Value	Description
ddrc_reg_rd_mrr_data	31:0	ro	0x0	Mode register read Data. Valid when ddrc_co_rd_mrr_data_valid is high. Bits[7:0] carry the 8-bit MRR value. Valid for LPDDR2 only.

### Register ([ddrc](#)) lpddr\_ctrl0

Name	lpddr_ctrl0
Relative Address	0x000002A8
Absolute Address	0xF80062A8
Width	12 bits
Access Type	rw
Reset Value	0x00000000
Description	LPDDR2 Control 0

#### Register lpddr\_ctrl0 Details

This registers is applicable only when LPDDR2 is selected.

Field Name	Bits	Type	Reset Value	Description
reg_ddrc_mr4_margin	11:4	rw	0x0	UNUSED
reserved	3	rw	0x0	Reserved. Datasheet does not mention this field
reg_ddrc_derate_enable	2	rw	0x0	0: Timing parameter derating is disabled. 1: Timing parameter derating is enabled using MR4 read value. This feature should only be enabled after LPDDR2 initialization is completed
reg_ddrc_per_bank_refresh	1	rw	0x0	0:All bank refresh Per bank refresh allows traffic to flow to other banks. 1:Per bank refresh Recommended setting is 0. If per bank refresh is required, please follow recommended procedure outlined in Errata.
reg_ddrc_lpddr2	0	rw	0x0	0: DDR2 or DDR3 in use. 1: LPDDR2 in Use.

### Register ([ddrc](#)) lpddr\_ctrl1

Name	lpddr_ctrl1
Relative Address	0x000002AC
Absolute Address	0xF80062AC

Width 32 bits  
 Access Type rw  
 Reset Value 0x00000000  
 Description LPDDR2 Control 1

Register `lpddr_ctrl1` Details

Field Name	Bits	Type	Reset Value	Description
<code>reg_ddrc_mr4_read_interval</code>	31:0	rw	0x0	Interval between two MR4 reads, USED to derate the timing parameters.

Register ([ddrc](#)) `lpddr_ctrl2`

Name `lpddr_ctrl2`  
 Relative Address 0x000002B0  
 Absolute Address 0xF80062B0  
 Width 22 bits  
 Access Type rw  
 Reset Value 0x003C0015  
 Description LPDDR2 Control 2

Register `lpddr_ctrl2` Details

Field Name	Bits	Type	Reset Value	Description
<code>reg_ddrc_t_mrwr</code>	21:12	rw	0x3C0	Time to wait during load mode register writes. Present only in designs configured to support LPDDR2. LPDDR2 typically requires value of 5.
<code>reg_ddrc_idle_after_reset_x32</code>	11:4	rw	0x1	Idle time after the reset command, tINIT4. Units: 32 clock cycles.
<code>reg_ddrc_min_stable_clock_x1</code>	3:0	rw	0x5	Time to wait after the first CKE high, tINIT2. Units: 1 clock cycle. LPDDR2 typically requires 5 x tCK delay.

Register ([ddrc](#)) `lpddr_ctrl3`

Name `lpddr_ctrl3`  
 Relative Address 0x000002B4  
 Absolute Address 0xF80062B4  
 Width 18 bits  
 Access Type rw

Reset Value            0x00000601  
 Description            LPDDR2 Control 3

## Register lpddr\_ctrl3 Details

Field Name	Bits	Type	Reset Value	Description
reg_ddrc_dev_zqinit_x32	17:8	rw	0x6	ZQ initial calibration, tZQINIT. Units: 32 clock cycles. LPDDR2 typically requires 1 us.
reg_ddrc_max_auto_init_x1024	7:0	rw	0x1	Maximum duration of the auto initialization, tINIT5. Units: 1024 clock cycles. LPDDR2 typically requires 10 us.



## B.7 CoreSight Cross Trigger Interface (cti)

Module Name CoreSight Cross Trigger Interface (cti)  
 Base Address 0xF8898000 debug\_cpu\_cti0  
 0xF8899000 debug\_cpu\_cti1  
 0xF8802000 debug\_cti\_etb\_tpiu  
 0xF8809000 debug\_cti\_ftm  
 Description Cross Trigger Interface  
 Vendor Info

### Register Summary

Register Name	Address	Width	Type	Reset Value	Description
<a href="#">CTICONTROL</a>	0x00000000	1	rw	0x00000000	CTI Control Register
<a href="#">CTIINTACK</a>	0x00000010	8	wo	0x00000000	CTI Interrupt Acknowledge Register
<a href="#">CTIAPPSET</a>	0x00000014	4	rw	0x00000000	CTI Application Trigger Set Register
<a href="#">CTIAPPCLEAR</a>	0x00000018	4	wo	0x00000000	CTI Application Trigger Clear Register
<a href="#">CTIAPPULSE</a>	0x0000001C	4	wo	0x00000000	CTI Application Pulse Register
<a href="#">CTIINEN0</a>	0x00000020	4	rw	0x00000000	CTI Trigger to Channel Enable 0 Register
<a href="#">CTIINEN1</a>	0x00000024	4	rw	0x00000000	CTI Trigger to Channel Enable 1 Register
<a href="#">CTIINEN2</a>	0x00000028	4	rw	0x00000000	CTI Trigger to Channel Enable 2 Register
<a href="#">CTIINEN3</a>	0x0000002C	4	rw	0x00000000	CTI Trigger to Channel Enable 3 Register
<a href="#">CTIINEN4</a>	0x00000030	4	rw	0x00000000	CTI Trigger to Channel Enable 4 Register
<a href="#">CTIINEN5</a>	0x00000034	4	rw	0x00000000	CTI Trigger to Channel Enable 5 Register
<a href="#">CTIINEN6</a>	0x00000038	4	rw	0x00000000	CTI Trigger to Channel Enable 6 Register
<a href="#">CTIINEN7</a>	0x0000003C	4	rw	0x00000000	CTI Trigger to Channel Enable 7 Register
<a href="#">CTIOUTEN0</a>	0x000000A0	4	rw	0x00000000	CTI Channel to Trigger Enable 0 Register

Register Name	Address	Width	Type	Reset Value	Description
<a href="#">CTIOUTEN1</a>	0x000000A4	4	rw	0x00000000	CTI Channel to Trigger Enable 1 Register
<a href="#">CTIOUTEN2</a>	0x000000A8	4	rw	0x00000000	CTI Channel to Trigger Enable 2 Register
<a href="#">CTIOUTEN3</a>	0x000000AC	4	rw	0x00000000	CTI Channel to Trigger Enable 3 Register
<a href="#">CTIOUTEN4</a>	0x000000B0	4	rw	0x00000000	CTI Channel to Trigger Enable 4 Register
<a href="#">CTIOUTEN5</a>	0x000000B4	4	rw	0x00000000	CTI Channel to Trigger Enable 5 Register
<a href="#">CTIOUTEN6</a>	0x000000B8	4	rw	0x00000000	CTI Channel to Trigger Enable 6 Register
<a href="#">CTIOUTEN7</a>	0x000000BC	4	rw	0x00000000	CTI Channel to Trigger Enable 7 Register
<a href="#">CTITRIGINSTATUS</a>	0x00000130	8	ro	x	CTI Trigger In Status Register
<a href="#">CTITRIGOUTSTATUS</a>	0x00000134	8	ro	0x00000000	CTI Trigger Out Status Register
<a href="#">CTICHINSTATUS</a>	0x00000138	4	ro	x	CTI Channel In Status Register
<a href="#">CTICHOUTSTATUS</a>	0x0000013C	4	ro	0x00000000	CTI Channel Out Status Register
<a href="#">CTIGATE</a>	0x00000140	4	rw	0x0000000F	Enable CTI Channel Gate Register
<a href="#">ASICCTL</a>	0x00000144	8	rw	0x00000000	External Multiplexor Control Register
<a href="#">ITCHINACK</a>	0x00000EDC	4	wo	0x00000000	ITCHINACK Register
<a href="#">ITTRIGINACK</a>	0x00000EE0	8	wo	0x00000000	ITTRIGINACK Register
<a href="#">ITCHOUT</a>	0x00000EE4	4	wo	0x00000000	ITCHOUT Register
<a href="#">ITTRIGOUT</a>	0x00000EE8	8	wo	0x00000000	ITTRIGOUT Register
<a href="#">ITCHOUTACK</a>	0x00000EEC	4	ro	0x00000000	ITCHOUTACK Register
<a href="#">ITTRIGOUTACK</a>	0x00000EF0	8	ro	0x00000000	ITTRIGOUTACK Register
<a href="#">ITCHIN</a>	0x00000EF4	4	ro	0x00000000	ITCHIN Register
<a href="#">ITTRIGIN</a>	0x00000EF8	8	ro	0x00000000	ITTRIGIN Register
<a href="#">ITCTRL</a>	0x00000F00	1	rw	0x00000000	IT Control Register
<a href="#">CTSR</a>	0x00000FA0	4	rw	0x0000000F	Claim Tag Set Register
<a href="#">CTCR</a>	0x00000FA4	4	rw	0x00000000	Claim Tag Clear Register
<a href="#">LAR</a>	0x00000FB0	32	wo	0x00000000	Lock Access Register
<a href="#">LSR</a>	0x00000FB4	3	ro	0x00000003	Lock Status Register
<a href="#">ASR</a>	0x00000FB8	4	ro	x	Authentication Status Register
<a href="#">DEVID</a>	0x00000FC8	20	ro	0x00040800	Device ID

Register Name	Address	Width	Type	Reset Value	Description
<a href="#">DTIR</a>	0x0000FCC	8	ro	0x00000014	Device Type Identifier Register
<a href="#">PERIPID4</a>	0x0000FD0	8	ro	0x00000004	Peripheral ID4
<a href="#">PERIPID5</a>	0x0000FD4	8	ro	0x00000000	Peripheral ID5
<a href="#">PERIPID6</a>	0x0000FD8	8	ro	0x00000000	Peripheral ID6
<a href="#">PERIPID7</a>	0x0000FDC	8	ro	0x00000000	Peripheral ID7
<a href="#">PERIPID0</a>	0x0000FE0	8	ro	0x00000006	Peripheral ID0
<a href="#">PERIPID1</a>	0x0000FE4	8	ro	0x000000B9	Peripheral ID1
<a href="#">PERIPID2</a>	0x0000FE8	8	ro	0x0000002B	Peripheral ID2
<a href="#">PERIPID3</a>	0x0000FEC	8	ro	0x00000000	Peripheral ID3
<a href="#">COMPID0</a>	0x0000FF0	8	ro	0x0000000D	Component ID0
<a href="#">COMPID1</a>	0x0000FF4	8	ro	0x00000090	Component ID1
<a href="#">COMPID2</a>	0x0000FF8	8	ro	0x00000005	Component ID2
<a href="#">COMPID3</a>	0x0000FFC	8	ro	0x000000B1	Component ID3

### Register ([cti](#)) CTICONTROL

Name	CTICONTROL
Relative Address	0x00000000
Absolute Address	debug_cpu_cti0: 0xF8898000 debug_cpu_cti1: 0xF8899000 debug_cti_etb_tpiu: 0xF8802000 debug_cti_ftm: 0xF8809000
Width	1 bits
Access Type	rw
Reset Value	0x00000000
Description	CTI Control Register

#### Register CTICONTROL Details

Field Name	Bits	Type	Reset Value	Description
GLBEN	0	rw	0x0	Enables or disables the ECT. When disabled, all cross triggering mapping logic functionality is disabled for this processor.

### Register ([cti](#)) CTIINTACK

Name	CTIINTACK
------	-----------

Relative Address 0x00000010

Absolute Address debug\_cpu\_cti0: 0xF8898010  
 debug\_cpu\_cti1: 0xF8899010  
 debug\_cti\_etb\_tpiu: 0xF8802010  
 debug\_cti\_ftm: 0xF8809010

Width 8 bits

Access Type wo

Reset Value 0x00000000

Description CTI Interrupt Acknowledge Register

Register CTIINTACK Details

Field Name	Bits	Type	Reset Value	Description
INTACK	7:0	wo	0x0	Acknowledges the corresponding CTITRIGOUT output: 1 = CTITRIGOUT is acknowledged and is cleared when MAPTRIGOUT is LOW. 0 = no effect There is one bit of the register for each CTITRIGOUT output.

Register ([cti](#)) CTIAPPSET

Name CTIAPPSET

Relative Address 0x00000014

Absolute Address debug\_cpu\_cti0: 0xF8898014  
 debug\_cpu\_cti1: 0xF8899014  
 debug\_cti\_etb\_tpiu: 0xF8802014  
 debug\_cti\_ftm: 0xF8809014

Width 4 bits

Access Type rw

Reset Value 0x00000000

Description CTI Application Trigger Set Register

Register CTIAPPSET Details

Field Name	Bits	Type	Reset Value	Description
APPSET	3:0	rw	0x0	Setting a bit HIGH generates a channel event for the selected channel. Read: 0 = application trigger inactive (reset) 1 = application trigger active. Write: 0 = no effect 1 = generate channel event. There is one bit of the register for each channel.

Register ([cti](#)) CTIAPPCLEAR

Name	CTIAPPCLEAR
Relative Address	0x00000018
Absolute Address	debug_cpu_cti0: 0xF8898018 debug_cpu_cti1: 0xF8899018 debug_cti_etb_tpiu: 0xF8802018 debug_cti_ftm: 0xF8809018
Width	4 bits
Access Type	wo
Reset Value	0x00000000
Description	CTI Application Trigger Clear Register

Register CTIAPPCLEAR Details

Field Name	Bits	Type	Reset Value	Description
APPCLEAR	3:0	wo	0x0	Clears corresponding bits in the CTIAPPSET register. 1 = application trigger disabled in the CTIAPPSET register 0 = no effect. There is one bit of the register for each channel.

Register ([cti](#)) CTIAPPPULSE

Name	CTIAPPPULSE
Relative Address	0x0000001C

Absolute Address      debug\_cpu\_cti0: 0xF889801C  
                              debug\_cpu\_cti1: 0xF889901C  
                              debug\_cti\_etb\_tpiu: 0xF880201C  
                              debug\_cti\_ftm: 0xF880901C

Width                    4 bits

Access Type            wo

Reset Value            0x00000000

Description            CTI Application Pulse Register

Register CTIAPPPULSE Details

Field Name	Bits	Type	Reset Value	Description
APPULSE	3:0	wo	0x0	Setting a bit HIGH generates a channel event pulse for the selected channel. Write: 1 = channel event pulse generated for one CTICLK period 0 = no effect. There is one bit of the register for each channel.

Register (cti) CTIINEN0

Name                    CTIINEN0

Relative Address      0x00000020

Absolute Address      debug\_cpu\_cti0: 0xF8898020  
                              debug\_cpu\_cti1: 0xF8899020  
                              debug\_cti\_etb\_tpiu: 0xF8802020  
                              debug\_cti\_ftm: 0xF8809020

Width                    4 bits

Access Type            rw

Reset Value            0x00000000

Description            CTI Trigger to Channel Enable 0 Register

Register CTIINEN0 Details

Field Name	Bits	Type	Reset Value	Description
TRIGINEN	3:0	rw	0x0	<p>Enables a cross trigger event to the corresponding channel when an CTITRIGIN is activated.</p> <p>1 = enables the CTITRIGIN signal to generate an event on the respective channel of the CTM.</p> <p>There is one bit of the register for each of the four channels. For example in register CTIINEN0, TRIGINEN[0] set to 1 enables CTITRIGIN onto channel 0.</p> <p>0 = disables the CTITRIGIN signal from generating an event on the respective channel of the CTM.</p>

Register ([cti](#)) CTIINEN1

Name	CTIINEN1
Relative Address	0x00000024
Absolute Address	debug_cpu_cti0: 0xF8898024 debug_cpu_cti1: 0xF8899024 debug_cti_etb_tpiu: 0xF8802024 debug_cti_ftm: 0xF8809024
Width	4 bits
Access Type	rw
Reset Value	0x00000000
Description	CTI Trigger to Channel Enable 1 Register

Register CTIINEN1 Details

Field Name	Bits	Type	Reset Value	Description
TRIGINEN	3:0	rw	0x0	<p>Enables a cross trigger event to the corresponding channel when an CTITRIGIN is activated.</p> <p>1 = enables the CTITRIGIN signal to generate an event on the respective channel of the CTM.</p> <p>There is one bit of the register for each of the four channels. For example in register CTIINEN0, TRIGINEN[0] set to 1 enables CTITRIGIN onto channel 0.</p> <p>0 = disables the CTITRIGIN signal from generating an event on the respective channel of the CTM.</p>

### Register (cti) CTIINEN2

Name	CTIINEN2
Relative Address	0x00000028
Absolute Address	debug_cpu_cti0: 0xF8898028 debug_cpu_cti1: 0xF8899028 debug_cti_etb_tpiu: 0xF8802028 debug_cti_ftm: 0xF8809028
Width	4 bits
Access Type	rw
Reset Value	0x00000000
Description	CTI Trigger to Channel Enable 2 Register

#### Register CTIINEN2 Details

Field Name	Bits	Type	Reset Value	Description
TRIGINEN	3:0	rw	0x0	Enables a cross trigger event to the corresponding channel when an CTITRIGIN is activated. 1 = enables the CTITRIGIN signal to generate an event on the respective channel of the CTM. There is one bit of the register for each of the four channels. For example in register CTIINEN0, TRIGINEN[0] set to 1 enables CTITRIGIN onto channel 0. 0 = disables the CTITRIGIN signal from generating an event on the respective channel of the CTM.

### Register (cti) CTIINEN3

Name	CTIINEN3
Relative Address	0x0000002C
Absolute Address	debug_cpu_cti0: 0xF889802C debug_cpu_cti1: 0xF889902C debug_cti_etb_tpiu: 0xF880202C debug_cti_ftm: 0xF880902C
Width	4 bits
Access Type	rw
Reset Value	0x00000000
Description	CTI Trigger to Channel Enable 3 Register



Register CTIINEN3 Details

Field Name	Bits	Type	Reset Value	Description
TRIGINEN	3:0	rw	0x0	<p>Enables a cross trigger event to the corresponding channel when an CTITRIGIN is activated.</p> <p>1 = enables the CTITRIGIN signal to generate an event on the respective channel of the CTM.</p> <p>There is one bit of the register for each of the four channels. For example in register CTIINEN0, TRIGINEN[0] set to 1 enables CTITRIGIN onto channel 0.</p> <p>0 = disables the CTITRIGIN signal from generating an event on the respective channel of the CTM.</p>

Register ([cti](#)) CTIINEN4

Name	CTIINEN4
Relative Address	0x00000030
Absolute Address	debug_cpu_cti0: 0xF8898030 debug_cpu_cti1: 0xF8899030 debug_cti_etb_tpiu: 0xF8802030 debug_cti_ftm: 0xF8809030
Width	4 bits
Access Type	rw
Reset Value	0x00000000
Description	CTI Trigger to Channel Enable 4 Register

Register CTIINEN4 Details

Field Name	Bits	Type	Reset Value	Description
TRIGINEN	3:0	rw	0x0	<p>Enables a cross trigger event to the corresponding channel when an CTITRIGIN is activated.</p> <p>1 = enables the CTITRIGIN signal to generate an event on the respective channel of the CTM.</p> <p>There is one bit of the register for each of the four channels. For example in register CTIINEN0, TRIGINEN[0] set to 1 enables CTITRIGIN onto channel 0.</p> <p>0 = disables the CTITRIGIN signal from generating an event on the respective channel of the CTM.</p>

### Register (cti) CTIINEN5

Name	CTIINEN5
Relative Address	0x00000034
Absolute Address	debug_cpu_cti0: 0xF8898034 debug_cpu_cti1: 0xF8899034 debug_cti_etb_tpiu: 0xF8802034 debug_cti_ftm: 0xF8809034
Width	4 bits
Access Type	rw
Reset Value	0x00000000
Description	CTI Trigger to Channel Enable 5 Register

#### Register CTIINEN5 Details

Field Name	Bits	Type	Reset Value	Description
TRIGINEN	3:0	rw	0x0	Enables a cross trigger event to the corresponding channel when an CTITRIGIN is activated. 1 = enables the CTITRIGIN signal to generate an event on the respective channel of the CTM. There is one bit of the register for each of the four channels. For example in register CTIINEN0, TRIGINEN[0] set to 1 enables CTITRIGIN onto channel 0. 0 = disables the CTITRIGIN signal from generating an event on the respective channel of the CTM.

### Register (cti) CTIINEN6

Name	CTIINEN6
Relative Address	0x00000038
Absolute Address	debug_cpu_cti0: 0xF8898038 debug_cpu_cti1: 0xF8899038 debug_cti_etb_tpiu: 0xF8802038 debug_cti_ftm: 0xF8809038
Width	4 bits
Access Type	rw
Reset Value	0x00000000
Description	CTI Trigger to Channel Enable 6 Register

Register CTIINEN6 Details

Field Name	Bits	Type	Reset Value	Description
TRIGINEN	3:0	rw	0x0	<p>Enables a cross trigger event to the corresponding channel when an CTITRIGIN is activated.</p> <p>1 = enables the CTITRIGIN signal to generate an event on the respective channel of the CTM.</p> <p>There is one bit of the register for each of the four channels. For example in register CTIINEN0, TRIGINEN[0] set to 1 enables CTITRIGIN onto channel 0.</p> <p>0 = disables the CTITRIGIN signal from generating an event on the respective channel of the CTM.</p>

Register ([cti](#)) CTIINEN7

Name	CTIINEN7
Relative Address	0x0000003C
Absolute Address	debug_cpu_cti0: 0xF889803C debug_cpu_cti1: 0xF889903C debug_cti_etb_tpiu: 0xF880203C debug_cti_ftm: 0xF880903C
Width	4 bits
Access Type	rw
Reset Value	0x00000000
Description	CTI Trigger to Channel Enable 7 Register

Register CTIINEN7 Details

Field Name	Bits	Type	Reset Value	Description
TRIGINEN	3:0	rw	0x0	<p>Enables a cross trigger event to the corresponding channel when an CTITRIGIN is activated.</p> <p>1 = enables the CTITRIGIN signal to generate an event on the respective channel of the CTM.</p> <p>There is one bit of the register for each of the four channels. For example in register CTIINEN0, TRIGINEN[0] set to 1 enables CTITRIGIN onto channel 0.</p> <p>0 = disables the CTITRIGIN signal from generating an event on the respective channel of the CTM.</p>

### Register (cti) CTIOUTEN0

Name	CTIOUTEN0
Relative Address	0x000000A0
Absolute Address	debug_cpu_cti0: 0xF88980A0 debug_cpu_cti1: 0xF88990A0 debug_cti_etb_tpiu: 0xF88020A0 debug_cti_ftm: 0xF88090A0
Width	4 bits
Access Type	rw
Reset Value	0x00000000
Description	CTI Channel to Trigger Enable 0 Register

#### Register CTIOUTEN0 Details

Field Name	Bits	Type	Reset Value	Description
TRIGOUTEN	3:0	rw	0x0	Changing the value of this bit from a 0 to a 1 enables a channel event for the corresponding channel to generate an CTITRIGOUT output: 0 = the channel input (CTICHIN) from the CTM is not routed to the CTITRIGOUT output 1 = the channel input (CTICHIN) from the CTM is routed to the CTITRIGOUT output. There is one bit for each of the four channels. For example in register CTIOUTEN0, enabling bit 0 enables CTICHIN[0] to cause a trigger event on the CTITRIGOUT[0] output.

### Register (cti) CTIOUTEN1

Name	CTIOUTEN1
Relative Address	0x000000A4
Absolute Address	debug_cpu_cti0: 0xF88980A4 debug_cpu_cti1: 0xF88990A4 debug_cti_etb_tpiu: 0xF88020A4 debug_cti_ftm: 0xF88090A4
Width	4 bits
Access Type	rw
Reset Value	0x00000000
Description	CTI Channel to Trigger Enable 1 Register

Register CTIOUTEN1 Details

Field Name	Bits	Type	Reset Value	Description
TRIGOUTEN	3:0	rw	0x0	Changing the value of this bit from a 0 to a 1 enables a channel event for the corresponding channel to generate an CTITRIGOUT output: 0 = the channel input (CTICHIN) from the CTM is not routed to the CTITRIGOUT output 1 = the channel input (CTICHIN) from the CTM is routed to the CTITRIGOUT output. There is one bit for each of the four channels. For example in register CTIOUTEN0, enabling bit 0 enables CTICHIN[0] to cause a trigger event on the CTITRIGOUT[0] output.

Register ([cti](#)) CTIOUTEN2

Name	CTIOUTEN2
Relative Address	0x000000A8
Absolute Address	debug_cpu_cti0: 0xF88980A8 debug_cpu_cti1: 0xF88990A8 debug_cti_etb_tpiu: 0xF88020A8 debug_cti_ftm: 0xF88090A8
Width	4 bits
Access Type	rw
Reset Value	0x00000000
Description	CTI Channel to Trigger Enable 2 Register

Register CTIOUTEN2 Details

Field Name	Bits	Type	Reset Value	Description
TRIGOUTEN	3:0	rw	0x0	Changing the value of this bit from a 0 to a 1 enables a channel event for the corresponding channel to generate an CTITRIGOUT output: 0 = the channel input (CTICHIN) from the CTM is not routed to the CTITRIGOUT output 1 = the channel input (CTICHIN) from the CTM is routed to the CTITRIGOUT output. There is one bit for each of the four channels. For example in register CTIOUTEN0, enabling bit 0 enables CTICHIN[0] to cause a trigger event on the CTITRIGOUT[0] output.

### Register (cti) CTIOUTEN3

Name	CTIOUTEN3
Relative Address	0x000000AC
Absolute Address	debug_cpu_cti0: 0xF88980AC debug_cpu_cti1: 0xF88990AC debug_cti_etb_tpiu: 0xF88020AC debug_cti_ftm: 0xF88090AC
Width	4 bits
Access Type	rw
Reset Value	0x00000000
Description	CTI Channel to Trigger Enable 3 Register

#### Register CTIOUTEN3 Details

Field Name	Bits	Type	Reset Value	Description
TRIGOUTEN	3:0	rw	0x0	Changing the value of this bit from a 0 to a 1 enables a channel event for the corresponding channel to generate an CTITRIGOUT output: 0 = the channel input (CTICHIN) from the CTM is not routed to the CTITRIGOUT output 1 = the channel input (CTICHIN) from the CTM is routed to the CTITRIGOUT output. There is one bit for each of the four channels. For example in register CTIOUTEN0, enabling bit 0 enables CTICHIN[0] to cause a trigger event on the CTITRIGOUT[0] output.

### Register (cti) CTIOUTEN4

Name	CTIOUTEN4
Relative Address	0x000000B0
Absolute Address	debug_cpu_cti0: 0xF88980B0 debug_cpu_cti1: 0xF88990B0 debug_cti_etb_tpiu: 0xF88020B0 debug_cti_ftm: 0xF88090B0
Width	4 bits
Access Type	rw
Reset Value	0x00000000
Description	CTI Channel to Trigger Enable 4 Register

Register CTIOUTEN4 Details

Field Name	Bits	Type	Reset Value	Description
TRIGOUTEN	3:0	rw	0x0	Changing the value of this bit from a 0 to a 1 enables a channel event for the corresponding channel to generate an CTITRIGOUT output: 0 = the channel input (CTICHIN) from the CTM is not routed to the CTITRIGOUT output 1 = the channel input (CTICHIN) from the CTM is routed to the CTITRIGOUT output. There is one bit for each of the four channels. For example in register CTIOUTEN0, enabling bit 0 enables CTICHIN[0] to cause a trigger event on the CTITRIGOUT[0] output.

Register ([cti](#)) CTIOUTEN5

Name	CTIOUTEN5
Relative Address	0x000000B4
Absolute Address	debug_cpu_cti0: 0xF88980B4 debug_cpu_cti1: 0xF88990B4 debug_cti_etb_tpiu: 0xF88020B4 debug_cti_ftm: 0xF88090B4
Width	4 bits
Access Type	rw
Reset Value	0x00000000
Description	CTI Channel to Trigger Enable 5 Register

Register CTIOUTEN5 Details

Field Name	Bits	Type	Reset Value	Description
TRIGOUTEN	3:0	rw	0x0	Changing the value of this bit from a 0 to a 1 enables a channel event for the corresponding channel to generate an CTITRIGOUT output: 0 = the channel input (CTICHIN) from the CTM is not routed to the CTITRIGOUT output 1 = the channel input (CTICHIN) from the CTM is routed to the CTITRIGOUT output. There is one bit for each of the four channels. For example in register CTIOUTEN0, enabling bit 0 enables CTICHIN[0] to cause a trigger event on the CTITRIGOUT[0] output.

### Register (cti) CTIOUTEN6

Name	CTIOUTEN6
Relative Address	0x000000B8
Absolute Address	debug_cpu_cti0: 0xF88980B8 debug_cpu_cti1: 0xF88990B8 debug_cti_etb_tpiu: 0xF88020B8 debug_cti_ftm: 0xF88090B8
Width	4 bits
Access Type	rw
Reset Value	0x00000000
Description	CTI Channel to Trigger Enable 6 Register

#### Register CTIOUTEN6 Details

Field Name	Bits	Type	Reset Value	Description
TRIGOUTEN	3:0	rw	0x0	Changing the value of this bit from a 0 to a 1 enables a channel event for the corresponding channel to generate an CTITRIGOUT output: 0 = the channel input (CTICHIN) from the CTM is not routed to the CTITRIGOUT output 1 = the channel input (CTICHIN) from the CTM is routed to the CTITRIGOUT output. There is one bit for each of the four channels. For example in register CTIOUTEN0, enabling bit 0 enables CTICHIN[0] to cause a trigger event on the CTITRIGOUT[0] output.

### Register (cti) CTIOUTEN7

Name	CTIOUTEN7
Relative Address	0x000000BC
Absolute Address	debug_cpu_cti0: 0xF88980BC debug_cpu_cti1: 0xF88990BC debug_cti_etb_tpiu: 0xF88020BC debug_cti_ftm: 0xF88090BC
Width	4 bits
Access Type	rw
Reset Value	0x00000000
Description	CTI Channel to Trigger Enable 7 Register



Register CTIOUTEN7 Details

Field Name	Bits	Type	Reset Value	Description
TRIGOUTEN	3:0	rw	0x0	Changing the value of this bit from a 0 to a 1 enables a channel event for the corresponding channel to generate an CTITRIGOUT output: 0 = the channel input (CTICHIN) from the CTM is not routed to the CTITRIGOUT output 1 = the channel input (CTICHIN) from the CTM is routed to the CTITRIGOUT output. There is one bit for each of the four channels. For example in register CTIOUTEN0, enabling bit 0 enables CTICHIN[0] to cause a trigger event on the CTITRIGOUT[0] output.

Register ([cti](#)) CTITRIGINSTATUS

Name	CTITRIGINSTATUS
Relative Address	0x00000130
Absolute Address	debug_cpu_cti0: 0xF8898130 debug_cpu_cti1: 0xF8899130 debug_cti_etb_tpiu: 0xF8802130 debug_cti_ftm: 0xF8809130
Width	8 bits
Access Type	ro
Reset Value	x
Description	CTI Trigger In Status Register

Register CTITRIGINSTATUS Details

Field Name	Bits	Type	Reset Value	Description
TRIGINSTATUS	7:0	ro	x	Shows the status of the CTITRIGIN inputs: 1 = CTITRIGIN is active 0 = CTITRIGIN is inactive. Because the register provides a view of the raw CTITRIGIN inputs, the reset value is unknown. There is one bit of the register for each trigger input.

Register ([cti](#)) CTITRIGOUTSTATUS

Name	CTITRIGOUTSTATUS
Relative Address	0x00000134

Absolute Address      debug\_cpu\_cti0: 0xF8898134  
                              debug\_cpu\_cti1: 0xF8899134  
                              debug\_cti\_etb\_tpiu: 0xF8802134  
                              debug\_cti\_ftm: 0xF8809134

Width                    8 bits

Access Type             ro

Reset Value             0x00000000

Description             CTI Trigger Out Status Register

Register CTITRIGOUTSTATUS Details

Field Name	Bits	Type	Reset Value	Description
TRIGOUTSTATUS	7:0	ro	0x0	Shows the status of the CTITRIGOUT outputs. 1 = CTITRIGOUT is active 0 = CTITRIGOUT is inactive (reset). There is one bit of the register for each trigger output.

Register ([cti](#)) CTICHINSTATUS

Name                    CTICHINSTATUS

Relative Address        0x00000138

Absolute Address       debug\_cpu\_cti0: 0xF8898138  
                              debug\_cpu\_cti1: 0xF8899138  
                              debug\_cti\_etb\_tpiu: 0xF8802138  
                              debug\_cti\_ftm: 0xF8809138

Width                    4 bits

Access Type             ro

Reset Value             x

Description             CTI Channel In Status Register

Register CTICHINSTATUS Details

Field Name	Bits	Type	Reset Value	Description
CTCHINSTATUS	3:0	ro	x	Shows the status of the CTICHIN inputs: 1 = CTICHIN is active 0 = CTICHIN is inactive. Because the register provides a view of the raw CTICHIN inputs from the CTM, the reset value is unknown. There is one bit of the register for each channel input.

### Register (cti) CTICHOUTSTATUS

Name	CTICHOUTSTATUS
Relative Address	0x0000013C
Absolute Address	debug_cpu_cti0: 0xF889813C debug_cpu_cti1: 0xF889913C debug_cti_etb_tpiu: 0xF880213C debug_cti_ftm: 0xF880913C
Width	4 bits
Access Type	ro
Reset Value	0x00000000
Description	CTI Channel Out Status Register

#### Register CTICHOUTSTATUS Details

Field Name	Bits	Type	Reset Value	Description
CTICHOUTSTATUS	3:0	ro	0x0	Shows the status of the CTICHOUT outputs. 1 = CTICHOUT is active 0 = CTICHOUT is inactive (reset). There is one bit of the register for each channel output.

### Register (cti) CTIGATE

Name	CTIGATE
Relative Address	0x00000140
Absolute Address	debug_cpu_cti0: 0xF8898140 debug_cpu_cti1: 0xF8899140 debug_cti_etb_tpiu: 0xF8802140 debug_cti_ftm: 0xF8809140
Width	4 bits
Access Type	rw
Reset Value	0x0000000F
Description	Enable CTI Channel Gate Register

#### Register CTIGATE Details

Field Name	Bits	Type	Reset Value	Description
CTIGATEEN3	3	rw	0x1	Enable CTICHOUT3.
CTIGATEEN2	2	rw	0x1	Enable CTICHOUT2.

Field Name	Bits	Type	Reset Value	Description
CTIGATEEN1	1	rw	0x1	Enable CTICHOUT1.
CTIGATEEN0	0	rw	0x1	Enable CTICHOUT0.

### Register (cti) ASICCTL

Name	ASICCTL
Relative Address	0x00000144
Absolute Address	debug_cpu_cti0: 0xF8898144 debug_cpu_cti1: 0xF8899144 debug_cti_etb_tpiu: 0xF8802144 debug_cti_ftm: 0xF8809144
Width	8 bits
Access Type	rw
Reset Value	0x00000000
Description	External Multiplexor Control Register

#### Register ASICCTL Details

Field Name	Bits	Type	Reset Value	Description
ASICCTL	7:0	rw	0x0	Implementation defined ASIC control, value written to the register is output on ASICCTL[7:0].

### Register (cti) ITCHINACK

Name	ITCHINACK
Relative Address	0x00000EDC
Absolute Address	debug_cpu_cti0: 0xF8898EDC debug_cpu_cti1: 0xF8899EDC debug_cti_etb_tpiu: 0xF8802EDC debug_cti_ftm: 0xF8809EDC
Width	4 bits
Access Type	wo
Reset Value	0x00000000
Description	ITCHINACK Register

#### Register ITCHINACK Details

Field Name	Bits	Type	Reset Value	Description
CTCHINACK	3:0	wo	0x0	Set the value of the CTCHINACK outputs

### Register (cti) ITTRIGINACK

Name	ITTRIGINACK
Relative Address	0x00000EE0
Absolute Address	debug_cpu_cti0: 0xF8898EE0 debug_cpu_cti1: 0xF8899EE0 debug_cti_etb_tpiu: 0xF8802EE0 debug_cti_ftm: 0xF8809EE0
Width	8 bits
Access Type	wo
Reset Value	0x00000000
Description	ITTRIGINACK Register

#### Register ITTRIGINACK Details

Field Name	Bits	Type	Reset Value	Description
CTTRIGINACK	7:0	wo	0x0	Set the value of the CTTRIGINACK outputs

### Register (cti) ITCHOUT

Name	ITCHOUT
Relative Address	0x00000EE4
Absolute Address	debug_cpu_cti0: 0xF8898EE4 debug_cpu_cti1: 0xF8899EE4 debug_cti_etb_tpiu: 0xF8802EE4 debug_cti_ftm: 0xF8809EE4
Width	4 bits
Access Type	wo
Reset Value	0x00000000
Description	ITCHOUT Register

#### Register ITCHOUT Details

Field Name	Bits	Type	Reset Value	Description
CTCHOUT	3:0	wo	0x0	Set the value of the CTCHOUT outputs

### Register (cti) ITTRIGOUT

Name	ITTRIGOUT
Relative Address	0x00000EE8

Absolute Address      debug\_cpu\_cti0: 0xF8898EE8  
                           debug\_cpu\_cti1: 0xF8899EE8  
                           debug\_cti\_etb\_tpiu: 0xF8802EE8  
                           debug\_cti\_ftm: 0xF8809EE8

Width                    8 bits

Access Type            wo

Reset Value            0x00000000

Description            ITTRIGOUT Register

Register ITTRIGOUT Details

Field Name	Bits	Type	Reset Value	Description
CTTRIGOUT	7:0	wo	0x0	Set the value of the CTTRIGOUT outputs

Register (cti) ITCHOUTACK

Name                    ITCHOUTACK

Relative Address      0x00000EEC

Absolute Address      debug\_cpu\_cti0: 0xF8898EEC  
                           debug\_cpu\_cti1: 0xF8899EEC  
                           debug\_cti\_etb\_tpiu: 0xF8802EEC  
                           debug\_cti\_ftm: 0xF8809EEC

Width                    4 bits

Access Type            ro

Reset Value            0x00000000

Description            ITCHOUTACK Register

Register ITCHOUTACK Details

Field Name	Bits	Type	Reset Value	Description
CTCHOUTACK	3:0	ro	0x0	Read the values of the CTCHOUTACK inputs

Register (cti) ITTRIGOUTACK

Name                    ITTRIGOUTACK

Relative Address      0x00000EF0

Absolute Address      debug\_cpu\_cti0: 0xF8898EF0  
                           debug\_cpu\_cti1: 0xF8899EF0  
                           debug\_cti\_etb\_tpiu: 0xF8802EF0  
                           debug\_cti\_ftm: 0xF8809EF0

Width 8 bits  
 Access Type ro  
 Reset Value 0x00000000  
 Description ITTRIGOUTACK Register

Register ITTRIGOUTACK Details

Field Name	Bits	Type	Reset Value	Description
CTTRIGOUTACK	7:0	ro	0x0	Read the values of the CTTRIGOUTACK inputs

Register (cti) ITCHIN

Name ITCHIN  
 Relative Address 0x00000EF4  
 Absolute Address debug\_cpu\_cti0: 0xF8898EF4  
 debug\_cpu\_cti1: 0xF8899EF4  
 debug\_cti\_etb\_tpiu: 0xF8802EF4  
 debug\_cti\_ftm: 0xF8809EF4  
 Width 4 bits  
 Access Type ro  
 Reset Value 0x00000000  
 Description ITCHIN Register

Register ITCHIN Details

Field Name	Bits	Type	Reset Value	Description
CTCHIN	3:0	ro	0x0	Read the values of the CTCHIN inputs

Register (cti) ITTRIGIN

Name ITTRIGIN  
 Relative Address 0x00000EF8  
 Absolute Address debug\_cpu\_cti0: 0xF8898EF8  
 debug\_cpu\_cti1: 0xF8899EF8  
 debug\_cti\_etb\_tpiu: 0xF8802EF8  
 debug\_cti\_ftm: 0xF8809EF8  
 Width 8 bits  
 Access Type ro  
 Reset Value 0x00000000

Description ITTRIGIN Register

Register ITTRIGIN Details

Field Name	Bits	Type	Reset Value	Description
CTTRIGIN	7:0	ro	0x0	Read the values of the CTTRIGIN inputs

Register (cti) ITCTRL

Name ITCTRL  
 Relative Address 0x00000F00  
 Absolute Address debug\_cpu\_cti0: 0xF8898F00  
 debug\_cpu\_cti1: 0xF8899F00  
 debug\_cti\_etb\_tpiu: 0xF8802F00  
 debug\_cti\_ftm: 0xF8809F00  
 Width 1 bits  
 Access Type rw  
 Reset Value 0x00000000  
 Description IT Control Register

Register ITCTRL Details

Field Name	Bits	Type	Reset Value	Description
	0	rw	0x0	Enable IT Registers

Register (cti) CTSR

Name CTSR  
 Relative Address 0x00000FA0  
 Absolute Address debug\_cpu\_cti0: 0xF8898FA0  
 debug\_cpu\_cti1: 0xF8899FA0  
 debug\_cti\_etb\_tpiu: 0xF8802FA0  
 debug\_cti\_ftm: 0xF8809FA0  
 Width 4 bits  
 Access Type rw  
 Reset Value 0x0000000F  
 Description Claim Tag Set Register



Register CTSR Details

Field Name	Bits	Type	Reset Value	Description
SET	3:0	rw	0xF	The claim tag register is used for any interrogating tools to determine if the device is being programmed or has been programmed. Read: 1= Claim tag is implemented, 0 = Claim tag is not implemented Write: 1= Set claim tag bit, 0= No effect

Register (cti) CTCR

Name	CTCR
Relative Address	0x0000FA4
Absolute Address	debug_cpu_cti0: 0xF8898FA4 debug_cpu_cti1: 0xF8899FA4 debug_cti_etb_tpiu: 0xF8802FA4 debug_cti_ftm: 0xF8809FA4
Width	4 bits
Access Type	rw
Reset Value	0x00000000
Description	Claim Tag Clear Register

Register CTCR Details

Field Name	Bits	Type	Reset Value	Description
CLEAR	3:0	rw	0x0	The claim tag register is used for any interrogating tools to determine if the device is being programmed or has been programmed. Read: Current value of claim tag. Write: 1= Clear claim tag bit, 0= No effect

Register (cti) LAR

Name	LAR
Relative Address	0x0000FB0
Absolute Address	debug_cpu_cti0: 0xF8898FB0 debug_cpu_cti1: 0xF8899FB0 debug_cti_etb_tpiu: 0xF8802FB0 debug_cti_ftm: 0xF8809FB0

Width 32 bits  
 Access Type wo  
 Reset Value 0x00000000  
 Description Lock Access Register

Register LAR Details

Field Name	Bits	Type	Reset Value	Description
KEY	31:0	wo	0x0	<p>Write Access Code.</p> <p>Write behavior depends on PADDRDBG31 pin:</p> <ul style="list-style-type: none"> <li>- PADDRDBG31=0 (lower 2GB):</li> </ul> <p>After reset (via PRESETDBGn), CTI is locked, i.e., writes to all other registers using lower 2GB addresses are ignored.</p> <p>To unlock, 0xC5ACCE55 must be written this register.</p> <p>After the required registers are written, to lock again, write a value other than 0xC5ACCE55 to this register.</p> <ul style="list-style-type: none"> <li>- PADDRDBG31=1 (upper 2GB):</li> </ul> <p>CTI is unlocked when upper 2GB addresses are used to write to all the registers.</p> <p>However, write to this register is ignored using a upper 2GB address!</p> <p>Note: read from this register always returns 0, regardless of PADDRDBG31.</p>

Register ([cti](#)) LSR

Name LSR  
 Relative Address 0x0000FB4  
 Absolute Address debug\_cpu\_cti0: 0xF8898FB4  
 debug\_cpu\_cti1: 0xF8899FB4  
 debug\_cti\_etb\_tpiu: 0xF8802FB4  
 debug\_cti\_ftm: 0xF8809FB4  
 Width 3 bits  
 Access Type ro  
 Reset Value 0x00000003  
 Description Lock Status Register

Register LSR Details

Field Name	Bits	Type	Reset Value	Description
8BIT	2	ro	0x0	Set to 0 since CTI implements a 32-bit lock access register
STATUS	1	ro	0x1	Read behavior depends on PADDRDBG31 pin: - PADDRDBG31=0 (lower 2GB): When a lower 2GB address is used to read this register, this bit indicates whether CTI is in locked state (1= locked, 0= unlocked). - PADDRDBG31=1 (upper 2GB): always returns 0.
IMP	0	ro	0x1	Read behavior depends on PADDRDBG31 pin: - PADDRDBG31=0 (lower 2GB): always returns 1, meaning lock mechanism are implemented. - PADDRDBG31=1 (upper 2GB): always returns 0, meaning lock mechanism is NOT implemented.

Register ([cti](#)) ASR

Name	ASR
Relative Address	0x0000FB8
Absolute Address	debug_cpu_cti0: 0xF8898FB8 debug_cpu_cti1: 0xF8899FB8 debug_cti_etb_tpiu: 0xF8802FB8 debug_cti_ftm: 0xF8809FB8
Width	4 bits
Access Type	ro
Reset Value	x
Description	Authentication Status Register

Register ASR Details

Field Name	Bits	Type	Reset Value	Description
NIDEN	3	ro	x	Current value of noninvasive debug enable signals
NIDEN_CTL	2	ro	0x1	Non-invasive debug controlled
IDEN	1	ro	x	Current value of invasive debug enable signals
IDEN_CTL	0	ro	0x1	Invasive debug controlled

### Register (cti) DEVID

Name	DEVID
Relative Address	0x0000FC8
Absolute Address	debug_cpu_cti0: 0xF8898FC8 debug_cpu_cti1: 0xF8899FC8 debug_cti_etb_tpiu: 0xF8802FC8 debug_cti_ftm: 0xF8809FC8
Width	20 bits
Access Type	ro
Reset Value	0x00040800
Description	Device ID

#### Register DEVID Details

Field Name	Bits	Type	Reset Value	Description
NumChan	19:16	ro	0x4	Number of channels available
NumTrig	15:8	ro	0x8	Number of triggers available
res	7:5	ro	0x0	reserved
ExtMux	4:0	ro	0x0	no external muxing

### Register (cti) DTIR

Name	DTIR
Relative Address	0x0000FCC
Absolute Address	debug_cpu_cti0: 0xF8898FCC debug_cpu_cti1: 0xF8899FCC debug_cti_etb_tpiu: 0xF8802FCC debug_cti_ftm: 0xF8809FCC
Width	8 bits
Access Type	ro
Reset Value	0x00000014
Description	Device Type Identifier Register

#### Register DTIR Details

Field Name	Bits	Type	Reset Value	Description
	7:0	ro	0x14	major type is a debug control logic component, sub-type is cross trigger

### Register (cti) PERIPHID4

Name	PERIPHID4
Relative Address	0x0000FD0
Absolute Address	debug_cpu_cti0: 0xF8898FD0 debug_cpu_cti1: 0xF8899FD0 debug_cti_etb_tpiu: 0xF8802FD0 debug_cti_ftm: 0xF8809FD0
Width	8 bits
Access Type	ro
Reset Value	0x00000004
Description	Peripheral ID4

#### Register PERIPHID4 Details

Field Name	Bits	Type	Reset Value	Description
4KB_count	7:4	ro	0x0	4KB Count, set to 0
JEP106ID	3:0	ro	0x4	JEP106 continuation code

### Register (cti) PERIPHID5

Name	PERIPHID5
Relative Address	0x0000FD4
Absolute Address	debug_cpu_cti0: 0xF8898FD4 debug_cpu_cti1: 0xF8899FD4 debug_cti_etb_tpiu: 0xF8802FD4 debug_cti_ftm: 0xF8809FD4
Width	8 bits
Access Type	ro
Reset Value	0x00000000
Description	Peripheral ID5

#### Register PERIPHID5 Details

Field Name	Bits	Type	Reset Value	Description
	7:0	ro	0x0	reserved

### Register (cti) PERIPHID6

Name	PERIPHID6
------	-----------

Relative Address 0x0000FD8  
 Absolute Address debug\_cpu\_cti0: 0xF8898FD8  
 debug\_cpu\_cti1: 0xF8899FD8  
 debug\_cti\_etb\_tpiu: 0xF8802FD8  
 debug\_cti\_ftm: 0xF8809FD8  
 Width 8 bits  
 Access Type ro  
 Reset Value 0x00000000  
 Description Peripheral ID6

Register PERIPHID6 Details

Field Name	Bits	Type	Reset Value	Description
	7:0	ro	0x0	reserved

Register (cti) PERIPHID7

Name PERIPHID7  
 Relative Address 0x0000FDC  
 Absolute Address debug\_cpu\_cti0: 0xF8898FDC  
 debug\_cpu\_cti1: 0xF8899FDC  
 debug\_cti\_etb\_tpiu: 0xF8802FDC  
 debug\_cti\_ftm: 0xF8809FDC  
 Width 8 bits  
 Access Type ro  
 Reset Value 0x00000000  
 Description Peripheral ID7

Register PERIPHID7 Details

Field Name	Bits	Type	Reset Value	Description
	7:0	ro	0x0	reserved

Register (cti) PERIPHID0

Name PERIPHID0  
 Relative Address 0x0000FE0

Absolute Address      debug\_cpu\_cti0: 0xF8898FE0  
                           debug\_cpu\_cti1: 0xF8899FE0  
                           debug\_cti\_etb\_tpiu: 0xF8802FE0  
                           debug\_cti\_ftm: 0xF8809FE0

Width                    8 bits

Access Type            ro

Reset Value            0x00000006

Description            Peripheral ID0

Register PERIPHID0 Details

Field Name	Bits	Type	Reset Value	Description
	7:0	ro	0x6	PartNumber0

Register (cti) PERIPHID1

Name                    PERIPHID1

Relative Address      0x00000FE4

Absolute Address      debug\_cpu\_cti0: 0xF8898FE4  
                           debug\_cpu\_cti1: 0xF8899FE4  
                           debug\_cti\_etb\_tpiu: 0xF8802FE4  
                           debug\_cti\_ftm: 0xF8809FE4

Width                    8 bits

Access Type            ro

Reset Value            0x000000B9

Description            Peripheral ID1

Register PERIPHID1 Details

Field Name	Bits	Type	Reset Value	Description
JEP106ID	7:4	ro	0xB	JEP106 Identity Code [3:0]
PartNumber1	3:0	ro	0x9	PartNumber1

Register (cti) PERIPHID2

Name                    PERIPHID2

Relative Address      0x00000FE8

Absolute Address      debug\_cpu\_cti0: 0xF8898FE8  
                           debug\_cpu\_cti1: 0xF8899FE8  
                           debug\_cti\_etb\_tpiu: 0xF8802FE8  
                           debug\_cti\_ftm: 0xF8809FE8

Width                    8 bits

Access Type             ro

Reset Value             0x0000002B

Description             Peripheral ID2

Register PERIPHID2 Details

Field Name	Bits	Type	Reset Value	Description
RevNum	7:4	ro	0x2	Revision number of Peripheral
JEDEC	3	ro	0x1	Indicates that a JEDEC assigned value is used
JEP106ID	2:0	ro	0x3	JEP106 Identity Code [6:4]

Register (cti) PERIPHID3

Name                    PERIPHID3

Relative Address        0x00000FEC

Absolute Address        debug\_cpu\_cti0: 0xF8898FEC  
                           debug\_cpu\_cti1: 0xF8899FEC  
                           debug\_cti\_etb\_tpiu: 0xF8802FEC  
                           debug\_cti\_ftm: 0xF8809FEC

Width                    8 bits

Access Type             ro

Reset Value             0x00000000

Description             Peripheral ID3

Register PERIPHID3 Details

Field Name	Bits	Type	Reset Value	Description
RevAnd	7:4	ro	0x0	RevAnd, at top level
CustMod	3:0	ro	0x0	Customer Modified

Register (cti) COMPID0

Name                    COMPID0

Relative Address        0x00000FF0



Absolute Address      debug\_cpu\_cti0: 0xF8898FF0  
                           debug\_cpu\_cti1: 0xF8899FF0  
                           debug\_cti\_etb\_tpiu: 0xF8802FF0  
                           debug\_cti\_ftm: 0xF8809FF0

Width                    8 bits

Access Type            ro

Reset Value            0x0000000D

Description            Component ID0

Register COMPID0 Details

Field Name	Bits	Type	Reset Value	Description
	7:0	ro	0xD	Preamble

Register (cti) COMPID1

Name                    COMPID1

Relative Address      0x00000FF4

Absolute Address      debug\_cpu\_cti0: 0xF8898FF4  
                           debug\_cpu\_cti1: 0xF8899FF4  
                           debug\_cti\_etb\_tpiu: 0xF8802FF4  
                           debug\_cti\_ftm: 0xF8809FF4

Width                    8 bits

Access Type            ro

Reset Value            0x00000090

Description            Component ID1

Register COMPID1 Details

Field Name	Bits	Type	Reset Value	Description
	7:0	ro	0x90	Preamble

Register (cti) COMPID2

Name                    COMPID2

Relative Address      0x00000FF8

Absolute Address      debug\_cpu\_cti0: 0xF8898FF8  
                           debug\_cpu\_cti1: 0xF8899FF8  
                           debug\_cti\_etb\_tpiu: 0xF8802FF8  
                           debug\_cti\_ftm: 0xF8809FF8

Width 8 bits  
 Access Type ro  
 Reset Value 0x00000005  
 Description Component ID2

Register COMPID2 Details

Field Name	Bits	Type	Reset Value	Description
	7:0	ro	0x5	Preamble

Register ([cti](#)) COMPID3

Name COMPID3  
 Relative Address 0x0000FFC  
 Absolute Address debug\_cpu\_cti0: 0xF8898FFC  
 debug\_cpu\_cti1: 0xF8899FFC  
 debug\_cti\_etb\_tpiu: 0xF8802FFC  
 debug\_cti\_ftm: 0xF8809FFC  
 Width 8 bits  
 Access Type ro  
 Reset Value 0x000000B1  
 Description Component ID3

Register COMPID3 Details

Field Name	Bits	Type	Reset Value	Description
	7:0	ro	0xB1	Preamble

## B.8 Performance Monitor Unit (cortexa9\_pmu)

Module Name	Performance Monitor Unit (cortexa9_pmu)
Base Address	0xF8891000 debug_cpu_pmu0 0xF8893000 debug_cpu_pmu1
Description	Cortex A9 Performance Monitoring Unit
Vendor Info	ARM

### Register Summary

Register Name	Address	Width	Type	Reset Value	Description
<a href="#">PMXEVCNTR0</a>	0x00000000	32	rw	x	PMU event counter 0
<a href="#">PMXEVCNTR1</a>	0x00000004	32	rw	x	PMU event counter 1
<a href="#">PMXEVCNTR2</a>	0x00000008	32	rw	x	PMU event counter 2
<a href="#">PMXEVCNTR3</a>	0x0000000C	32	rw	x	PMU event counter 3
<a href="#">PMXEVCNTR4</a>	0x00000010	32	rw	x	PMU event counter 4
<a href="#">PMXEVCNTR5</a>	0x00000014	32	rw	x	PMU event counter 5
<a href="#">PMCCNTR</a>	0x0000007C	32	rw	x	pmccntr
<a href="#">PMXEVTYPER0</a>	0x00000400	32	rw	x	pmevtyper0
<a href="#">PMXEVTYPER1</a>	0x00000404	32	rw	x	pmevtyper1
<a href="#">PMXEVTYPER2</a>	0x00000408	32	rw	x	pmevtyper2
<a href="#">PMXEVTYPER3</a>	0x0000040C	32	rw	x	pmevtyper3
<a href="#">PMXEVTYPER4</a>	0x00000410	32	rw	x	pmevtyper4
<a href="#">PMXEVTYPER5</a>	0x00000414	32	rw	x	pmevtyper5
<a href="#">PMCNTENSET</a>	0x00000C00	32	rw	0x00000000	pmcntenset
<a href="#">PMCNTENCLR</a>	0x00000C20	32	rw	0x00000000	pmcntenclr
<a href="#">PMINTENSET</a>	0x00000C40	32	rw	0x00000000	pmintenset
<a href="#">PMINTENCLR</a>	0x00000C60	32	rw	0x00000000	pmintenclr
<a href="#">PMOVSr</a>	0x00000C80	32	rw	x	pmovsr
<a href="#">PMSWINC</a>	0x00000CA0	32	wo	x	pmswinc
<a href="#">PMCR</a>	0x00000E04	32	rw	0x41093000	pmcr
<a href="#">PMUSERENR</a>	0x00000E08	32	rw	0x00000000	pmuserenr

### Register ([cortexa9\\_pmu](#)) PMXEVCNTR0

Name	PMXEVCNTR0
Relative Address	0x00000000
Absolute Address	debug_cpu_pmu0: 0xF8891000 debug_cpu_pmu1: 0xF8893000
Width	32 bits
Access Type	rw
Reset Value	x
Description	PMU event counter 0

#### Register PMXEVCNTR0 Details

Field Name	Bits	Type	Reset Value	Description
PMXEVCNTR0	31:0	rw	x	PMU event counter 0

### Register ([cortexa9\\_pmu](#)) PMXEVCNTR1

Name	PMXEVCNTR1
Relative Address	0x00000004
Absolute Address	debug_cpu_pmu0: 0xF8891004 debug_cpu_pmu1: 0xF8893004
Width	32 bits
Access Type	rw
Reset Value	x
Description	PMU event counter 1

#### Register PMXEVCNTR1 Details

Field Name	Bits	Type	Reset Value	Description
PMXEVCNTR1	31:0	rw	x	PMU event counter 1

### Register ([cortexa9\\_pmu](#)) PMXEVCNTR2

Name	PMXEVCNTR2
Relative Address	0x00000008
Absolute Address	debug_cpu_pmu0: 0xF8891008 debug_cpu_pmu1: 0xF8893008
Width	32 bits

Access Type            rw  
 Reset Value            x  
 Description            PMU event counter 2

Register PMXEVNTR2 Details

Field Name	Bits	Type	Reset Value	Description
PMXEVNTR2	31:0	rw	x	PMU event counter 2

Register ([cortexa9\\_pmu](#)) PMXEVNTR3

Name                    PMXEVNTR3  
 Relative Address        0x0000000C  
 Absolute Address        debug\_cpu\_pmu0: 0xF889100C  
                           debug\_cpu\_pmu1: 0xF889300C  
 Width                   32 bits  
 Access Type            rw  
 Reset Value            x  
 Description            PMU event counter 3

Register PMXEVNTR3 Details

Field Name	Bits	Type	Reset Value	Description
PMXEVNTR3	31:0	rw	x	PMU event counter 3

Register ([cortexa9\\_pmu](#)) PMXEVNTR4

Name                    PMXEVNTR4  
 Relative Address        0x00000010  
 Absolute Address        debug\_cpu\_pmu0: 0xF8891010  
                           debug\_cpu\_pmu1: 0xF8893010  
 Width                   32 bits  
 Access Type            rw  
 Reset Value            x  
 Description            PMU event counter 4

Register PMXEVNTR4 Details

Field Name	Bits	Type	Reset Value	Description
PMXEVNTR4	31:0	rw	x	PMU event counter 4

### Register ([cortexa9\\_pmu](#)) PMXEVCNTR5

Name	PMXEVCNTR5
Relative Address	0x00000014
Absolute Address	debug_cpu_pmu0: 0xF8891014 debug_cpu_pmu1: 0xF8893014
Width	32 bits
Access Type	rw
Reset Value	x
Description	PMU event counter 5

#### Register PMXEVCNTR5 Details

Field Name	Bits	Type	Reset Value	Description
PMXEVCNTR5	31:0	rw	x	PMU event counter 5

### Register ([cortexa9\\_pmu](#)) PMCCNTR

Name	PMCCNTR
Relative Address	0x0000007C
Absolute Address	debug_cpu_pmu0: 0xF889107C debug_cpu_pmu1: 0xF889307C
Width	32 bits
Access Type	rw
Reset Value	x
Description	pmccntr

#### Register PMCCNTR Details

Field Name	Bits	Type	Reset Value	Description
PMCCNTR	31:0	rw	x	pmccntr

### Register ([cortexa9\\_pmu](#)) PMXEVTYPER0

Name	PMXEVTYPER0
Relative Address	0x00000400
Absolute Address	debug_cpu_pmu0: 0xF8891400 debug_cpu_pmu1: 0xF8893400
Width	32 bits

Access Type            rw  
 Reset Value            x  
 Description            pmevtyper0

Register PMXEVTYPER0 Details

Field Name	Bits	Type	Reset Value	Description
PMXEVTYPER0	31:0	rw	x	pmevtyper0

Register ([cortexa9\\_pmu](#)) PMXEVTYPER1

Name                    PMXEVTYPER1  
 Relative Address        0x00000404  
 Absolute Address        debug\_cpu\_pmu0: 0xF8891404  
                           debug\_cpu\_pmu1: 0xF8893404  
 Width                   32 bits  
 Access Type            rw  
 Reset Value            x  
 Description            pmevtyper1

Register PMXEVTYPER1 Details

Field Name	Bits	Type	Reset Value	Description
PMXEVTYPER1	31:0	rw	x	pmevtyper1

Register ([cortexa9\\_pmu](#)) PMXEVTYPER2

Name                    PMXEVTYPER2  
 Relative Address        0x00000408  
 Absolute Address        debug\_cpu\_pmu0: 0xF8891408  
                           debug\_cpu\_pmu1: 0xF8893408  
 Width                   32 bits  
 Access Type            rw  
 Reset Value            x  
 Description            pmevtyper2

Register PMXEVTYPER2 Details

Field Name	Bits	Type	Reset Value	Description
PMXEVTYPER2	31:0	rw	x	pmevtyper2

### Register ([cortexa9\\_pmu](#)) PMXEVTYPER3

Name	PMXEVTYPER3
Relative Address	0x0000040C
Absolute Address	debug_cpu_pmu0: 0xF889140C debug_cpu_pmu1: 0xF889340C
Width	32 bits
Access Type	rw
Reset Value	x
Description	pmevtyper3

#### Register PMXEVTYPER3 Details

Field Name	Bits	Type	Reset Value	Description
PMXEVTYPER3	31:0	rw	x	pmevtyper3

### Register ([cortexa9\\_pmu](#)) PMXEVTYPER4

Name	PMXEVTYPER4
Relative Address	0x00000410
Absolute Address	debug_cpu_pmu0: 0xF8891410 debug_cpu_pmu1: 0xF8893410
Width	32 bits
Access Type	rw
Reset Value	x
Description	pmevtyper4

#### Register PMXEVTYPER4 Details

Field Name	Bits	Type	Reset Value	Description
PMXEVTYPER4	31:0	rw	x	pmevtyper4

### Register ([cortexa9\\_pmu](#)) PMXEVTYPER5

Name	PMXEVTYPER5
Relative Address	0x00000414
Absolute Address	debug_cpu_pmu0: 0xF8891414 debug_cpu_pmu1: 0xF8893414
Width	32 bits



Access Type            rw  
 Reset Value            x  
 Description            pmevtyper5

Register PMXEVTYPER5 Details

Field Name	Bits	Type	Reset Value	Description
PMXEVTYPER5	31:0	rw	x	pmevtyper5

Register ([cortexa9\\_pmu](#)) PMCNTENSET

Name                    PMCNTENSET  
 Relative Address        0x00000C00  
 Absolute Address        debug\_cpu\_pmu0: 0xF8891C00  
                           debug\_cpu\_pmu1: 0xF8893C00  
 Width                   32 bits  
 Access Type            rw  
 Reset Value            0x00000000  
 Description            pmcntenset

Register PMCNTENSET Details

Field Name	Bits	Type	Reset Value	Description
PMCNTENSET	31:0	rw	0x0	pmcntenset

Register ([cortexa9\\_pmu](#)) PMCNTENCLR

Name                    PMCNTENCLR  
 Relative Address        0x00000C20  
 Absolute Address        debug\_cpu\_pmu0: 0xF8891C20  
                           debug\_cpu\_pmu1: 0xF8893C20  
 Width                   32 bits  
 Access Type            rw  
 Reset Value            0x00000000  
 Description            pmcntenclr

Register PMCNTENCLR Details

Field Name	Bits	Type	Reset Value	Description
PMCNTENCLR	31:0	rw	0x0	pmcntenclr

### Register ([cortexa9\\_pmu](#)) PMINTENSET

Name	PMINTENSET
Relative Address	0x00000C40
Absolute Address	debug_cpu_pmu0: 0xF8891C40 debug_cpu_pmu1: 0xF8893C40
Width	32 bits
Access Type	rw
Reset Value	0x00000000
Description	pmintenset

#### Register PMINTENSET Details

Field Name	Bits	Type	Reset Value	Description
PMINTENSET	31:0	rw	0x0	pmintenset

### Register ([cortexa9\\_pmu](#)) PMINTENCLR

Name	PMINTENCLR
Relative Address	0x00000C60
Absolute Address	debug_cpu_pmu0: 0xF8891C60 debug_cpu_pmu1: 0xF8893C60
Width	32 bits
Access Type	rw
Reset Value	0x00000000
Description	pmintenclr

#### Register PMINTENCLR Details

Field Name	Bits	Type	Reset Value	Description
PMINTENCLR	31:0	rw	0x0	pmintenclr

### Register ([cortexa9\\_pmu](#)) PMOVSR

Name	PMOVSR
Relative Address	0x00000C80
Absolute Address	debug_cpu_pmu0: 0xF8891C80 debug_cpu_pmu1: 0xF8893C80
Width	32 bits

Access Type            rw  
 Reset Value            x  
 Description            pmovsr

Register PMOVSR Details

Field Name	Bits	Type	Reset Value	Description
PMOVSR	31:0	rw	x	pmovsr

Register ([cortexa9\\_pmu](#)) PMSWINC

Name                    PMSWINC  
 Relative Address        0x00000CA0  
 Absolute Address       debug\_cpu\_pmu0: 0xF8891CA0  
                           debug\_cpu\_pmu1: 0xF8893CA0  
 Width                   32 bits  
 Access Type            wo  
 Reset Value            x  
 Description            pmswinc

Register PMSWINC Details

Field Name	Bits	Type	Reset Value	Description
PMSWINC	31:0	wo	x	pmswinc

Register ([cortexa9\\_pmu](#)) PMCR

Name                    PMCR  
 Relative Address        0x00000E04  
 Absolute Address       debug\_cpu\_pmu0: 0xF8891E04  
                           debug\_cpu\_pmu1: 0xF8893E04  
 Width                   32 bits  
 Access Type            rw  
 Reset Value            0x41093000  
 Description            pmcr

Register PMCR Details

Field Name	Bits	Type	Reset Value	Description
PMCR	31:0	rw	0x41093000	pmcr

Register ([cortexa9\\_pmu](#)) PMUSERENR

Name	PMUSERENR
Relative Address	0x00000E08
Absolute Address	debug_cpu_pmu0: 0xF8891E08 debug_cpu_pmu1: 0xF8893E08
Width	32 bits
Access Type	rw
Reset Value	0x00000000
Description	pmuserenr

Register PMUSERENR Details

Field Name	Bits	Type	Reset Value	Description
PMUSERENR	31:0	rw	0x0	pmuserenr This register is read-only in user mode.

## B.9 CoreSight Program Trace Macrocell (ptm)

Module Name	CoreSight Program Trace Macrocell (ptm)
Base Address	0xF889C000 debug_cpu_ptm0 0xF889D000 debug_cpu_ptm1
Description	CoreSight PTM-A9
Vendor Info	

### Register Summary

Register Name	Address	Width	Type	Reset Value	Description
<a href="#">ETMCR</a>	0x00000000	30	rw	0x00000400	Main Control Register
<a href="#">ETMCCR</a>	0x00000004	32	ro	0x8D294004	Configuration Code Register
<a href="#">ETMTRIGGER</a>	0x00000008	17	rw	0x00000000	Trigger Event Register
<a href="#">ETMSR</a>	0x00000010	4	mixed	0x00000002	Status Register
<a href="#">ETMSCR</a>	0x00000014	15	ro	0x00000000	System Configuration Register
<a href="#">ETMTSSCR</a>	0x00000018	24	rw	0x00000000	TraceEnable Start/Stop Control Register
<a href="#">ETMTECR1</a>	0x00000024	26	rw	0x00000000	TraceEnable Control Register 1
<a href="#">ETMACVR1</a>	0x00000040	32	rw	0x00000000	Address Comparator Value Register 1
<a href="#">ETMACVR2</a>	0x00000044	32	rw	0x00000000	Address Comparator Value Register 2
<a href="#">ETMACVR3</a>	0x00000048	32	rw	0x00000000	Address Comparator Value Register 3
<a href="#">ETMACVR4</a>	0x0000004C	32	rw	0x00000000	Address Comparator Value Register 4
<a href="#">ETMACVR5</a>	0x00000050	32	rw	0x00000000	Address Comparator Value Register 5
<a href="#">ETMACVR6</a>	0x00000054	32	rw	0x00000000	Address Comparator Value Register 6
<a href="#">ETMACVR7</a>	0x00000058	32	rw	0x00000000	Address Comparator Value Register 7
<a href="#">ETMACVR8</a>	0x0000005C	32	rw	0x00000000	Address Comparator Value Register 8
<a href="#">ETMACTR1</a>	0x00000080	12	mixed	0x00000001	Address Comparator Access Type Register 1
<a href="#">ETMACTR2</a>	0x00000084	12	mixed	0x00000001	Address Comparator Access Type Register 2

Register Name	Address	Width	Type	Reset Value	Description
<a href="#">ETMACTR3</a>	0x00000088	12	mixed	0x00000001	Address Comparator Access Type Register 3
<a href="#">ETMACTR4</a>	0x0000008C	12	mixed	0x00000001	Address Comparator Access Type Register 4
<a href="#">ETMACTR5</a>	0x00000090	12	mixed	0x00000001	Address Comparator Access Type Register 5
<a href="#">ETMACTR6</a>	0x00000094	12	mixed	0x00000001	Address Comparator Access Type Register 6
<a href="#">ETMACTR7</a>	0x00000098	12	mixed	0x00000001	Address Comparator Access Type Register 7
<a href="#">ETMACTR8</a>	0x0000009C	12	mixed	0x00000001	Address Comparator Access Type Register 8
<a href="#">ETMCNTRLDVR1</a>	0x00000140	16	rw	0x00000000	Counter Reload Value Register 1
<a href="#">ETMCNTRLDVR2</a>	0x00000144	16	rw	0x00000000	Counter Reload Value Register 2
<a href="#">ETMCNTENR1</a>	0x00000150	18	mixed	0x00020000	Counter Enable Event Register 1
<a href="#">ETMCNTENR2</a>	0x00000154	18	mixed	0x00020000	Counter Enable Event Register 2
<a href="#">ETMCNTRLDEVR1</a>	0x00000160	17	rw	0x00000000	Counter Reload Event Register 1
<a href="#">ETMCNTRLDEVR2</a>	0x00000164	17	rw	0x00000000	Counter Reload Event Register 2
<a href="#">ETMCNTRV1</a>	0x00000170	16	rw	0x00000000	Counter Value Register 1
<a href="#">ETMCNTRV2</a>	0x00000174	16	rw	0x00000000	Counter Value Register 2
<a href="#">ETMSQ12EVR</a>	0x00000180	17	rw	0x00000000	Sequencer State Transition Event Register 12
<a href="#">ETMSQ21EVR</a>	0x00000184	17	rw	0x00000000	Sequencer State Transition Event Register 21
<a href="#">ETMSQ23EVR</a>	0x00000188	17	rw	0x00000000	Sequencer State Transition Event Register 23
<a href="#">ETMSQ31EVR</a>	0x0000018C	17	rw	0x00000000	Sequencer State Transition Event Register 31
<a href="#">ETMSQ32EVR</a>	0x00000190	17	rw	0x00000000	Sequencer State Transition Event Register 32
<a href="#">ETMSQ13EVR</a>	0x00000194	17	rw	0x00000000	Sequencer State Transition Event Register 13
<a href="#">ETMSQR</a>	0x0000019C	2	rw	0x00000000	Current Sequencer State Register
<a href="#">ETMEXTOUTEVR1</a>	0x000001A0	17	rw	0x00000000	External Output Event Register 1
<a href="#">ETMEXTOUTEVR2</a>	0x000001A4	17	rw	0x00000000	External Output Event Register 2
<a href="#">ETMCIDCVR1</a>	0x000001B0	32	rw	0x00000000	Context ID Comparator Value Register

Register Name	Address	Width	Type	Reset Value	Description
<a href="#">ETMCIDCMR</a>	0x000001BC	32	rw	0x00000000	Context ID Comparator Mask Register
<a href="#">ETMSYNCFR</a>	0x000001E0	12	mixed	0x00000400	Synchronization Frequency Register
<a href="#">ETMIDR</a>	0x000001E4	32	ro	0x411CF301	ID Register
<a href="#">ETMCCER</a>	0x000001E8	26	ro	0x000008EA	Configuration Code Extension Register
<a href="#">ETMEXTINSELR</a>	0x000001EC	14	rw	0x00000000	Extended External Input Selection Register
<a href="#">ETMAUXCR</a>	0x000001FC	4	rw	0x00000000	Auxiliary Control Register
<a href="#">ETMTRACEIDR</a>	0x00000200	7	rw	0x00000000	CoreSight Trace ID Register
<a href="#">OSLSR</a>	0x00000304	32	ro	0x00000000	OS Lock Status Register
<a href="#">ETMPDSR</a>	0x00000314	32	ro	0x00000001	Device Powerdown Status Register
<a href="#">ITMISCOUT</a>	0x00000EDC	10	wo	0x00000000	Miscellaneous Outputs Register
<a href="#">ITMISCIN</a>	0x00000EE0	7	ro	x	Miscellaneous Inputs Register
<a href="#">ITTRIGGER</a>	0x00000EE8	1	wo	0x00000000	Trigger Register
<a href="#">ITATBDATA0</a>	0x00000EEC	5	wo	0x00000000	ATB Data 0 Register
<a href="#">ITATBCTR2</a>	0x00000EF0	2	ro	x	ATB Control 2 Register
<a href="#">ITATBID</a>	0x00000EF4	7	wo	0x00000000	ATB Identification Register
<a href="#">ITATBCTR0</a>	0x00000EF8	10	wo	0x00000000	ATB Control 0 Register
<a href="#">ETMITCTRL</a>	0x00000F00	1	rw	0x00000000	Integration Mode Control Register
<a href="#">CTSR</a>	0x00000FA0	8	rw	0x000000FF	Claim Tag Set Register
<a href="#">CTCR</a>	0x00000FA4	8	rw	0x00000000	Claim Tag Clear Register
<a href="#">LAR</a>	0x00000FB0	32	wo	0x00000000	Lock Access Register
<a href="#">LSR</a>	0x00000FB4	3	ro	0x00000003	Lock Status Register
<a href="#">ASR</a>	0x00000FB8	8	ro	x	Authentication Status Register
<a href="#">DEVID</a>	0x00000FC8	32	ro	0x00000000	Device ID
<a href="#">DTIR</a>	0x00000FCC	8	ro	0x00000013	Device Type Identifier Register
<a href="#">PERIPHID4</a>	0x00000FD0	8	ro	0x00000004	Peripheral ID4
<a href="#">PERIPHID5</a>	0x00000FD4	8	ro	0x00000000	Peripheral ID5
<a href="#">PERIPHID6</a>	0x00000FD8	8	ro	0x00000000	Peripheral ID6
<a href="#">PERIPHID7</a>	0x00000FDC	8	ro	0x00000000	Peripheral ID7
<a href="#">PERIPHID0</a>	0x00000FE0	8	ro	0x00000050	Peripheral ID0
<a href="#">PERIPHID1</a>	0x00000FE4	8	ro	0x000000B9	Peripheral ID1

Register Name	Address	Width	Type	Reset Value	Description
<a href="#">PERIPHID2</a>	0x00000FE8	8	ro	0x0000001B	Peripheral ID2
<a href="#">PERIPHID3</a>	0x00000FEC	8	ro	0x00000000	Peripheral ID3
<a href="#">COMPID0</a>	0x00000FF0	8	ro	0x0000000D	Component ID0
<a href="#">COMPID1</a>	0x00000FF4	8	ro	0x00000090	Component ID1
<a href="#">COMPID2</a>	0x00000FF8	8	ro	0x00000005	Component ID2
<a href="#">COMPID3</a>	0x00000FFC	8	ro	0x000000B1	Component ID3

### Register ([ptm](#)) ETMCR

Name	ETMCR
Relative Address	0x00000000
Absolute Address	debug_cpu_ptm0: 0xF889C000 debug_cpu_ptm1: 0xF889D000
Width	30 bits
Access Type	rw
Reset Value	0x00000400
Description	Main Control Register

### Register ETMCR Details

Field Name	Bits	Type	Reset Value	Description
ReturnStackEn	29	rw	0x0	Return stack enable
TimestampEn	28	rw	0x0	Timestamp enable
ProcSelect	27:25	rw	0x0	Select for external multiplexor if PTM is shared between multiple processors.
reserved	24:16	rw	0x0	Reserved
ContextIDSize	15:14	rw	0x0	Context ID Size Enumerated Value List: NONE=0. 8BIT=1. 16BIT=2. 32BIT=3.
reserved	13	rw	0x0	Reserved
CycleAccurate	12	rw	0x0	Enables cycle counting
reserved	11	rw	0x0	Reserved
ProgBit	10	rw	0x1	This bit must be set to b1 when the PTM is being programmed.



Field Name	Bits	Type	Reset Value	Description
DebugReqCtrl	9	rw	0x0	Debug Request Control When set to b1 and the trigger event occurs, the PTMDBGRQ output is asserted until PTMDBGACK is observed. This enables a debugger to force the processor into Debug state.
BranchOutput	8	rw	0x0	When this bit is set to b1, addresses are output for all executed branches, both direct and indirect.
reserved	7:1	rw	0x0	Reserved
PowerDown	0	rw	0x0	This bit enables external control of the PTM. This bit must be cleared by the trace software tools at the beginning of a debug session. When this bit is set to b0, both the PTM and the trace interface in the processor are enabled. To avoid corruption of trace data, this bit must not be set before the Programming Status bit in the PTM Status Register has been read as 1.

### Register ([ptm](#)) ETMCCR

Name	ETMCCR
Relative Address	0x00000004
Absolute Address	debug_cpu_ptm0: 0xF889C004 debug_cpu_ptm1: 0xF889D004
Width	32 bits
Access Type	ro
Reset Value	0x8D294004
Description	Configuration Code Register

### Register ETMCCR Details

Field Name	Bits	Type	Reset Value	Description
IDRegPresent	31	ro	0x1	Indicates that the ID Register is present.
reserved	30:28	ro	0x0	Reserved
SoftwareAccess	27	ro	0x1	Indicates that software access is supported.
TraceSSB	26	ro	0x1	Indicates that the trace start/stop block is present.
NumCntxtIDComp	25:24	ro	0x1	Specifies the number of Context ID comparators, one.
FIFOFULLLogic	23	ro	0x0	Indicates that it is not possible to stall the processor to prevent FIFO overflow.
NumExtOut	22:20	ro	0x2	Specifies the number of external outputs, two.

Field Name	Bits	Type	Reset Value	Description
NumExtIn	19:17	ro	0x4	Specifies the number of external inputs, four.
Sequencer	16	ro	0x1	Indicates that the sequencer is present.
NumCounters	15:13	ro	0x2	Specifies the number of counters, two.
reserved	12:4	ro	0x0	Reserved
NumAddrComp	3:0	ro	0x4	Specifies the number of address comparator pairs, four.

### Register ([ptm](#)) ETMTRIGGER

Name	ETMTRIGGER
Relative Address	0x00000008
Absolute Address	debug_cpu_ptm0: 0xF889C008 debug_cpu_ptm1: 0xF889D008
Width	17 bits
Access Type	rw
Reset Value	0x00000000
Description	Trigger Event Register

#### Register ETMTRIGGER Details

Field Name	Bits	Type	Reset Value	Description
TrigEvent	16:0	rw	0x0	Trigger event. Subdivided as: Function, bits [16:14] Specifies the function that combines the two resources that define the event. Resource B, bits [13:7] and Resource A, bits [6:0] Specify the two resources that are combined by the logical operation specified by the Function field.

### Register ([ptm](#)) ETMSR

Name	ETMSR
Relative Address	0x00000010
Absolute Address	debug_cpu_ptm0: 0xF889C010 debug_cpu_ptm1: 0xF889D010
Width	4 bits
Access Type	mixed
Reset Value	0x00000002

Description Status Register

Register ETMSR Details

Field Name	Bits	Type	Reset Value	Description
TrigFlag	3	rw	0x0	Trigger bit. Set when the trigger occurs and prevents the trigger from being output until the PTM is next programmed.
TSSRStat	2	rw	0x0	Holds the current status of the trace start/stop resource. If set to 1, indicates that a trace start address has been matched, without a corresponding trace stop address match.
ProgBit	1	ro	0x1	Effective state of the Programming bit. You must wait for this bit to go to b1 before starting to program the PTM.
Overflow	0	ro	0x0	If set to 1, there is an overflow that has not yet been traced.

Register ([ptm](#)) ETMSCR

Name ETMSCR  
 Relative Address 0x00000014  
 Absolute Address debug\_cpu\_ptm0: 0xF889C014  
 debug\_cpu\_ptm1: 0xF889D014  
 Width 15 bits  
 Access Type ro  
 Reset Value 0x00000000  
 Description System Configuration Register

Register ETMSCR Details

Field Name	Bits	Type	Reset Value	Description
NumProcs	14:12	ro	0x0	Number of supported processors minus 1.
reserved	11:9	ro	0x0	Reserved
FIFOFULL	8	ro	0x0	FIFOFULL not supported
reserved	7:0	ro	0x0	Reserved

Register ([ptm](#)) ETMTSSCR

Name ETMTSSCR  
 Relative Address 0x00000018

Absolute Address      debug\_cpu\_ptm0: 0xF889C018  
                              debug\_cpu\_ptm1: 0xF889D018

Width                    24 bits

Access Type            rw

Reset Value            0x00000000

Description            TraceEnable Start/Stop Control Register

Register ETMTSSCR Details

Field Name	Bits	Type	Reset Value	Description
StopAddrSel	23:16	rw	0x0	When a bit is set to 1, it selects a single address comparator (8-1) as a stop address for the TraceEnable Start/Stop block. For example, if you set bit [16] to 1 it selects single address comparator 1 as a stop address.
reserved	15:8	rw	0x0	Reserved
StartAddrSel	7:0	rw	0x0	When a bit is set to 1, it selects a single address comparator (8-1) as a start address for the TraceEnable Start/Stop block. For example, if you set bit [0] to 1 it selects single address comparator 1 as a start address.

Register ([ptm](#)) ETMTECR1

Name                    ETMTECR1

Relative Address      0x00000024

Absolute Address      debug\_cpu\_ptm0: 0xF889C024  
                              debug\_cpu\_ptm1: 0xF889D024

Width                    26 bits

Access Type            rw

Reset Value            0x00000000

Description            TraceEnable Control Register 1

Register ETMTECR1 Details

Field Name	Bits	Type	Reset Value	Description
TraceSSEn	25	rw	0x0	Trace start/stop control enable. The possible values of this bit are: 0 Tracing is unaffected by the trace start/stop logic. 1 Tracing is controlled by the trace on and off addresses configured for the trace start/stop logic. The trace start/stop resource is not affected by the value of this bit.
ExcIncFlag	24	rw	0x0	Exclude/include flag. The possible values of this bit are: 0 Include. The specified address range comparators indicate the regions where tracing can occur. No tracing occurs outside this region. 1 Exclude. The specified address range comparators indicate regions to be excluded from the trace. When outside an exclude region, tracing can occur.
reserved	23:4	rw	0x0	Reserved
AddrCompSel	3:0	rw	0x0	When a bit is set to 1, it selects an address range comparator, 4-1, for include/exclude control. For example, bit [0] set to 1 selects address range comparator 1.

Register ([ptm](#)) ETMACVR1

Name	ETMACVR1
Relative Address	0x00000040
Absolute Address	debug_cpu_ptm0: 0xF889C040 debug_cpu_ptm1: 0xF889D040
Width	32 bits
Access Type	rw
Reset Value	0x00000000
Description	Address Comparator Value Register 1

Register ETMACVR1 Details

Field Name	Bits	Type	Reset Value	Description
Address	31:0	rw	0x0	Address for comparison

### Register ([ptm](#)) ETMACVR2

Name ETMACVR2  
 Relative Address 0x00000044  
 Absolute Address debug\_cpu\_ptm0: 0xF889C044  
 debug\_cpu\_ptm1: 0xF889D044  
 Width 32 bits  
 Access Type rw  
 Reset Value 0x00000000  
 Description Address Comparator Value Register 2

#### Register ETMACVR2 Details

Field Name	Bits	Type	Reset Value	Description
Address	31:0	rw	0x0	Address for comparison

### Register ([ptm](#)) ETMACVR3

Name ETMACVR3  
 Relative Address 0x00000048  
 Absolute Address debug\_cpu\_ptm0: 0xF889C048  
 debug\_cpu\_ptm1: 0xF889D048  
 Width 32 bits  
 Access Type rw  
 Reset Value 0x00000000  
 Description Address Comparator Value Register 3

#### Register ETMACVR3 Details

Field Name	Bits	Type	Reset Value	Description
Address	31:0	rw	0x0	Address for comparison

### Register ([ptm](#)) ETMACVR4

Name ETMACVR4  
 Relative Address 0x0000004C  
 Absolute Address debug\_cpu\_ptm0: 0xF889C04C  
 debug\_cpu\_ptm1: 0xF889D04C  
 Width 32 bits

Access Type                rw  
 Reset Value               0x00000000  
 Description                Address Comparator Value Register 4

Register ETMACVR4 Details

Field Name	Bits	Type	Reset Value	Description
Address	31:0	rw	0x0	Address for comparison

Register ([ptm](#)) ETMACVR5

Name                        ETMACVR5  
 Relative Address           0x00000050  
 Absolute Address          debug\_cpu\_ptm0: 0xF889C050  
                               debug\_cpu\_ptm1: 0xF889D050  
 Width                      32 bits  
 Access Type                rw  
 Reset Value                0x00000000  
 Description                Address Comparator Value Register 5

Register ETMACVR5 Details

Field Name	Bits	Type	Reset Value	Description
Address	31:0	rw	0x0	Address for comparison

Register ([ptm](#)) ETMACVR6

Name                        ETMACVR6  
 Relative Address           0x00000054  
 Absolute Address          debug\_cpu\_ptm0: 0xF889C054  
                               debug\_cpu\_ptm1: 0xF889D054  
 Width                      32 bits  
 Access Type                rw  
 Reset Value                0x00000000  
 Description                Address Comparator Value Register 6

Register ETMACVR6 Details

Field Name	Bits	Type	Reset Value	Description
Address	31:0	rw	0x0	Address for comparison

### Register ([ptm](#)) ETMACVR7

Name	ETMACVR7
Relative Address	0x00000058
Absolute Address	debug_cpu_ptm0: 0xF889C058 debug_cpu_ptm1: 0xF889D058
Width	32 bits
Access Type	rw
Reset Value	0x00000000
Description	Address Comparator Value Register 7

#### Register ETMACVR7 Details

Field Name	Bits	Type	Reset Value	Description
Address	31:0	rw	0x0	Address for comparison

### Register ([ptm](#)) ETMACVR8

Name	ETMACVR8
Relative Address	0x0000005C
Absolute Address	debug_cpu_ptm0: 0xF889C05C debug_cpu_ptm1: 0xF889D05C
Width	32 bits
Access Type	rw
Reset Value	0x00000000
Description	Address Comparator Value Register 8

#### Register ETMACVR8 Details

Field Name	Bits	Type	Reset Value	Description
Address	31:0	rw	0x0	Address for comparison

### Register ([ptm](#)) ETMACTR1

Name	ETMACTR1
Relative Address	0x00000080
Absolute Address	debug_cpu_ptm0: 0xF889C080 debug_cpu_ptm1: 0xF889D080
Width	12 bits



Access Type            mixed  
 Reset Value            0x00000001  
 Description            Address Comparator Access Type Register 1

Register ETMACTR1 Details

Field Name	Bits	Type	Reset Value	Description
SecLevelCtrl	11:10	rw	0x0	Security level control Enumerated Value List: IGNORE=0. NONSEC=1. SECURE=2.
ContextIDCompCtrl	9:8	rw	0x0	Context ID comparator control. Enumerated Value List: IGNORE=0. MATCH1=1. MATCH2=2. MATCH3=3.
reserved	7:3	rw	0x0	Reserved
AccessType	2:0	ro	0x1	Access type. Returns the value: Instruction execute.

Register ([ptm](#)) ETMACTR2

Name                    ETMACTR2  
 Relative Address        0x00000084  
 Absolute Address        debug\_cpu\_ptm0: 0xF889C084  
                               debug\_cpu\_ptm1: 0xF889D084  
 Width                    12 bits  
 Access Type            mixed  
 Reset Value            0x00000001  
 Description            Address Comparator Access Type Register 2

Register ETMACTR2 Details

Field Name	Bits	Type	Reset Value	Description
SecLevelCtrl	11:10	rw	0x0	Security level control Enumerated Value List: IGNORE=0. NONSEC=1. SECURE=2.
ContextIDCompCtrl	9:8	rw	0x0	Context ID comparator control. Enumerated Value List: IGNORE=0. MATCH1=1. MATCH2=2. MATCH3=3.
reserved	7:3	rw	0x0	Reserved
AccessType	2:0	ro	0x1	Access type. Returns the value: Instruction execute.

Register ([ptm](#)) ETMACTR3

Name	ETMACTR3
Relative Address	0x00000088
Absolute Address	debug_cpu_ptm0: 0xF889C088 debug_cpu_ptm1: 0xF889D088
Width	12 bits
Access Type	mixed
Reset Value	0x00000001
Description	Address Comparator Access Type Register 3

Register ETMACTR3 Details

Field Name	Bits	Type	Reset Value	Description
SecLevelCtrl	11:10	rw	0x0	Security level control Enumerated Value List: IGNORE=0. NONSEC=1. SECURE=2.
ContextIDCompCtrl	9:8	rw	0x0	Context ID comparator control. Enumerated Value List: IGNORE=0. MATCH1=1. MATCH2=2. MATCH3=3.
reserved	7:3	rw	0x0	Reserved
AccessType	2:0	ro	0x1	Access type. Returns the value: Instruction execute.

Register ([ptm](#)) ETMACTR4

Name	ETMACTR4
Relative Address	0x0000008C
Absolute Address	debug_cpu_ptm0: 0xF889C08C debug_cpu_ptm1: 0xF889D08C
Width	12 bits
Access Type	mixed
Reset Value	0x00000001
Description	Address Comparator Access Type Register 4

Register ETMACTR4 Details

Field Name	Bits	Type	Reset Value	Description
SecLevelCtrl	11:10	rw	0x0	Security level control Enumerated Value List: IGNORE=0. NONSEC=1. SECURE=2.
ContextIDCompCtrl	9:8	rw	0x0	Context ID comparator control. Enumerated Value List: IGNORE=0. MATCH1=1. MATCH2=2. MATCH3=3.
reserved	7:3	rw	0x0	Reserved
AccessType	2:0	ro	0x1	Access type. Returns the value: Instruction execute.

Register ([ptm](#)) ETMACTR5

Name	ETMACTR5
Relative Address	0x00000090
Absolute Address	debug_cpu_ptm0: 0xF889C090 debug_cpu_ptm1: 0xF889D090
Width	12 bits
Access Type	mixed
Reset Value	0x00000001
Description	Address Comparator Access Type Register 5

Register ETMACTR5 Details

Field Name	Bits	Type	Reset Value	Description
SecLevelCtrl	11:10	rw	0x0	Security level control Enumerated Value List: IGNORE=0. NONSEC=1. SECURE=2.
ContextIDCompCtrl	9:8	rw	0x0	Context ID comparator control. Enumerated Value List: IGNORE=0. MATCH1=1. MATCH2=2. MATCH3=3.
reserved	7:3	rw	0x0	Reserved
AccessType	2:0	ro	0x1	Access type. Returns the value: Instruction execute.

Register ([ptm](#)) ETMACTR6

Name	ETMACTR6
Relative Address	0x00000094
Absolute Address	debug_cpu_ptm0: 0xF889C094 debug_cpu_ptm1: 0xF889D094
Width	12 bits
Access Type	mixed
Reset Value	0x00000001
Description	Address Comparator Access Type Register 6

Register ETMACTR6 Details

Field Name	Bits	Type	Reset Value	Description
SecLevelCtrl	11:10	rw	0x0	Security level control Enumerated Value List: IGNORE=0. NONSEC=1. SECURE=2.
ContextIDCompCtrl	9:8	rw	0x0	Context ID comparator control. Enumerated Value List: IGNORE=0. MATCH1=1. MATCH2=2. MATCH3=3.
reserved	7:3	rw	0x0	Reserved
AccessType	2:0	ro	0x1	Access type. Returns the value: Instruction execute.

Register ([ptm](#)) ETMACTR7

Name	ETMACTR7
Relative Address	0x00000098
Absolute Address	debug_cpu_ptm0: 0xF889C098 debug_cpu_ptm1: 0xF889D098
Width	12 bits
Access Type	mixed
Reset Value	0x00000001
Description	Address Comparator Access Type Register 7

Register ETMACTR7 Details

Field Name	Bits	Type	Reset Value	Description
SecLevelCtrl	11:10	rw	0x0	Security level control Enumerated Value List: IGNORE=0. NONSEC=1. SECURE=2.
ContextIDCompCtrl	9:8	rw	0x0	Context ID comparator control. Enumerated Value List: IGNORE=0. MATCH1=1. MATCH2=2. MATCH3=3.
reserved	7:3	rw	0x0	Reserved
AccessType	2:0	ro	0x1	Access type. Returns the value: Instruction execute.

Register ([ptm](#)) ETMACTR8

Name	ETMACTR8
Relative Address	0x0000009C
Absolute Address	debug_cpu_ptm0: 0xF889C09C debug_cpu_ptm1: 0xF889D09C
Width	12 bits
Access Type	mixed
Reset Value	0x00000001
Description	Address Comparator Access Type Register 8

Register ETMACTR8 Details

Field Name	Bits	Type	Reset Value	Description
SecLevelCtrl	11:10	rw	0x0	Security level control Enumerated Value List: IGNORE=0. NONSEC=1. SECURE=2.
ContextIDCompCtrl	9:8	rw	0x0	Context ID comparator control. Enumerated Value List: IGNORE=0. MATCH1=1. MATCH2=2. MATCH3=3.
reserved	7:3	rw	0x0	Reserved
AccessType	2:0	ro	0x1	Access type. Returns the value: Instruction execute.

Register ([ptm](#)) ETMCNTRLDVR1

Name	ETMCNTRLDVR1
Relative Address	0x00000140
Absolute Address	debug_cpu_ptm0: 0xF889C140 debug_cpu_ptm1: 0xF889D140
Width	16 bits
Access Type	rw
Reset Value	0x00000000
Description	Counter Reload Value Register 1

Register ETMCNTRLDVR1 Details

Field Name	Bits	Type	Reset Value	Description
InitValue	15:0	rw	0x0	Counter initial value

Register ([ptm](#)) ETMCNTRLDVR2

Name	ETMCNTRLDVR2
Relative Address	0x00000144
Absolute Address	debug_cpu_ptm0: 0xF889C144 debug_cpu_ptm1: 0xF889D144



Width 16 bits  
 Access Type rw  
 Reset Value 0x00000000  
 Description Counter Reload Value Register 2

Register ETMCNTRLDVR2 Details

Field Name	Bits	Type	Reset Value	Description
InitValue	15:0	rw	0x0	Counter initial value

Register ([ptm](#)) ETMCNTENR1

Name ETMCNTENR1  
 Relative Address 0x00000150  
 Absolute Address debug\_cpu\_ptm0: 0xF889C150  
 debug\_cpu\_ptm1: 0xF889D150  
 Width 18 bits  
 Access Type mixed  
 Reset Value 0x00020000  
 Description Counter Enable Event Register 1

Register ETMCNTENR1 Details

Field Name	Bits	Type	Reset Value	Description
Reserved_1	17	ro	0x1	Reserved, RAO/WI
ExtOutEvent	16:0	rw	0x0	Count enable event. Subdivided as: Function, bits [16:14] Specifies the function that combines the two resources that define the event. Resource B, bits [13:7] and Resource A, bits [6:0] Specify the two resources that are combined by the logical operation specified by the Function field.

Register ([ptm](#)) ETMCNTENR2

Name ETMCNTENR2  
 Relative Address 0x00000154  
 Absolute Address debug\_cpu\_ptm0: 0xF889C154  
 debug\_cpu\_ptm1: 0xF889D154

Width 18 bits  
 Access Type mixed  
 Reset Value 0x00020000  
 Description Counter Enable Event Register 2

Register ETMCNTENR2 Details

Field Name	Bits	Type	Reset Value	Description
Reserved_1	17	ro	0x1	Reserved, RAO/WI
ExtOutEvent	16:0	rw	0x0	Count enable event. Subdivided as: Function, bits [16:14] Specifies the function that combines the two resources that define the event. Resource B, bits [13:7] and Resource A, bits [6:0] Specify the two resources that are combined by the logical operation specified by the Function field.

Register ([ptm](#)) ETMCNTRLDEVR1

Name ETMCNTRLDEVR1  
 Relative Address 0x00000160  
 Absolute Address debug\_cpu\_ptm0: 0xF889C160  
 debug\_cpu\_ptm1: 0xF889D160  
 Width 17 bits  
 Access Type rw  
 Reset Value 0x00000000  
 Description Counter Reload Event Register 1

Register ETMCNTRLDEVR1 Details

Field Name	Bits	Type	Reset Value	Description
CntReloadEvent	16:0	rw	0x0	Count reload event. Subdivided as: Function, bits [16:14] Specifies the function that combines the two resources that define the event. Resource B, bits [13:7] and Resource A, bits [6:0] Specify the two resources that are combined by the logical operation specified by the Function field.

### Register ([ptm](#)) ETMCNTRLDEVR2

Name	ETMCNTRLDEVR2
Relative Address	0x00000164
Absolute Address	debug_cpu_ptm0: 0xF889C164 debug_cpu_ptm1: 0xF889D164
Width	17 bits
Access Type	rw
Reset Value	0x00000000
Description	Counter Reload Event Register 2

#### Register ETMCNTRLDEVR2 Details

Field Name	Bits	Type	Reset Value	Description
CntReloadEvent	16:0	rw	0x0	Count reload event. Subdivided as: Function, bits [16:14] Specifies the function that combines the two resources that define the event. Resource B, bits [13:7] and Resource A, bits [6:0] Specify the two resources that are combined by the logical operation specified by the Function field.

### Register ([ptm](#)) ETMCNTVR1

Name	ETMCNTVR1
Relative Address	0x00000170
Absolute Address	debug_cpu_ptm0: 0xF889C170 debug_cpu_ptm1: 0xF889D170
Width	16 bits
Access Type	rw
Reset Value	0x00000000
Description	Counter Value Register 1

#### Register ETMCNTVR1 Details

Field Name	Bits	Type	Reset Value	Description
CurrCount	15:0	rw	0x0	Current counter value.

### Register ([ptm](#)) ETMCNTVR2

Name	ETMCNTVR2
Relative Address	0x00000174
Absolute Address	debug_cpu_ptm0: 0xF889C174 debug_cpu_ptm1: 0xF889D174
Width	16 bits
Access Type	rw
Reset Value	0x00000000
Description	Counter Value Register 2

#### Register ETMCNTVR2 Details

Field Name	Bits	Type	Reset Value	Description
CurrCount	15:0	rw	0x0	Current counter value.

### Register ([ptm](#)) ETMSQ12EVR

Name	ETMSQ12EVR
Relative Address	0x00000180
Absolute Address	debug_cpu_ptm0: 0xF889C180 debug_cpu_ptm1: 0xF889D180
Width	17 bits
Access Type	rw
Reset Value	0x00000000
Description	Sequencer State Transition Event Register 12

#### Register ETMSQ12EVR Details

Field Name	Bits	Type	Reset Value	Description
TransEvent	16:0	rw	0x0	A Sequencer State Transition Event Register, ETMSQmnEVR, defines the event that causes the sequencer state transition from state m to state n. The format is subdivided as: Function, bits [16:14] Specifies the function that combines the two resources that define the event. Resource B, bits [13:7] and Resource A, bits [6:0] Specify the two resources that are combined by the logical operation specified by the Function field.

### Register ([ptm](#)) ETMSQ21EVR

Name	ETMSQ21EVR
Relative Address	0x00000184
Absolute Address	debug_cpu_ptm0: 0xF889C184 debug_cpu_ptm1: 0xF889D184
Width	17 bits
Access Type	rw
Reset Value	0x00000000
Description	Sequencer State Transition Event Register 21

#### Register ETMSQ21EVR Details

Field Name	Bits	Type	Reset Value	Description
TransEvent	16:0	rw	0x0	A Sequencer State Transition Event Register, ETMSQmnEVR, defines the event that causes the sequencer state transition from state m to state n. The format is subdivided as: Function, bits [16:14] Specifies the function that combines the two resources that define the event. Resource B, bits [13:7] and Resource A, bits [6:0] Specify the two resources that are combined by the logical operation specified by the Function field.

### Register ([ptm](#)) ETMSQ23EVR

Name	ETMSQ23EVR
Relative Address	0x00000188
Absolute Address	debug_cpu_ptm0: 0xF889C188 debug_cpu_ptm1: 0xF889D188
Width	17 bits
Access Type	rw
Reset Value	0x00000000
Description	Sequencer State Transition Event Register 23

Register ETMSQ23EVR Details

Field Name	Bits	Type	Reset Value	Description
TransEvent	16:0	rw	0x0	A Sequencer State Transition Event Register, ETMSQmnEVR, defines the event that causes the sequencer state transition from state m to state n. The format is subdivided as: Function, bits [16:14] Specifies the function that combines the two resources that define the event. Resource B, bits [13:7] and Resource A, bits [6:0] Specify the two resources that are combined by the logical operation specified by the Function field.

Register ([ptm](#)) ETMSQ31EVR

Name	ETMSQ31EVR
Relative Address	0x0000018C
Absolute Address	debug_cpu_ptm0: 0xF889C18C debug_cpu_ptm1: 0xF889D18C
Width	17 bits
Access Type	rw
Reset Value	0x00000000
Description	Sequencer State Transition Event Register 31

Register ETMSQ31EVR Details

Field Name	Bits	Type	Reset Value	Description
TransEvent	16:0	rw	0x0	A Sequencer State Transition Event Register, ETMSQmnEVR, defines the event that causes the sequencer state transition from state m to state n. The format is subdivided as: Function, bits [16:14] Specifies the function that combines the two resources that define the event. Resource B, bits [13:7] and Resource A, bits [6:0] Specify the two resources that are combined by the logical operation specified by the Function field.

Register ([ptm](#)) ETMSQ32EVR

Name	ETMSQ32EVR
------	------------

Relative Address 0x00000190  
 Absolute Address debug\_cpu\_ptm0: 0xF889C190  
 debug\_cpu\_ptm1: 0xF889D190  
 Width 17 bits  
 Access Type rw  
 Reset Value 0x00000000  
 Description Sequencer State Transition Event Register 32

Register ETMSQ32EVR Details

Field Name	Bits	Type	Reset Value	Description
TransEvent	16:0	rw	0x0	A Sequencer State Transition Event Register, ETMSQmnEVR, defines the event that causes the sequencer state transition from state m to state n. The format is subdivided as: Function, bits [16:14] Specifies the function that combines the two resources that define the event. Resource B, bits [13:7] and Resource A, bits [6:0] Specify the two resources that are combined by the logical operation specified by the Function field.

Register ([ptm](#)) ETMSQ13EVR

Name ETMSQ13EVR  
 Relative Address 0x00000194  
 Absolute Address debug\_cpu\_ptm0: 0xF889C194  
 debug\_cpu\_ptm1: 0xF889D194  
 Width 17 bits  
 Access Type rw  
 Reset Value 0x00000000  
 Description Sequencer State Transition Event Register 13

Register ETMSQ13EVR Details

Field Name	Bits	Type	Reset Value	Description
TransEvent	16:0	rw	0x0	A Sequencer State Transition Event Register, ETMSQmnEVR, defines the event that causes the sequencer state transition from state m to state n. The format is subdivided as: Function, bits [16:14] Specifies the function that combines the two resources that define the event. Resource B, bits [13:7] and Resource A, bits [6:0] Specify the two resources that are combined by the logical operation specified by the Function field.

Register ([ptm](#)) ETMSQR

Name	ETMSQR
Relative Address	0x0000019C
Absolute Address	debug_cpu_ptm0: 0xF889C19C debug_cpu_ptm1: 0xF889D19C
Width	2 bits
Access Type	rw
Reset Value	0x00000000
Description	Current Sequencer State Register

Register ETMSQR Details

Field Name	Bits	Type	Reset Value	Description
CurrentSeqState	1:0	rw	0x0	Indicates the current sequencer state

Register ([ptm](#)) ETMEXTOUTEVR1

Name	ETMEXTOUTEVR1
Relative Address	0x000001A0
Absolute Address	debug_cpu_ptm0: 0xF889C1A0 debug_cpu_ptm1: 0xF889D1A0
Width	17 bits
Access Type	rw
Reset Value	0x00000000
Description	External Output Event Register 1



Register ETMEXTOUTEVR1 Details

Field Name	Bits	Type	Reset Value	Description
ExtOutputEvent	16:0	rw	0x0	External output event. Subdivided as: Function, bits [16:14] Specifies the function that combines the two resources that define the event. Resource B, bits [13:7] and Resource A, bits [6:0] Specify the two resources that are combined by the logical operation specified by the Function field.

Register ([ptm](#)) ETMEXTOUTEVR2

Name	ETMEXTOUTEVR2
Relative Address	0x000001A4
Absolute Address	debug_cpu_ptm0: 0xF889C1A4 debug_cpu_ptm1: 0xF889D1A4
Width	17 bits
Access Type	rw
Reset Value	0x00000000
Description	External Output Event Register 2

Register ETMEXTOUTEVR2 Details

Field Name	Bits	Type	Reset Value	Description
ExtOutputEvent	16:0	rw	0x0	External output event. Subdivided as: Function, bits [16:14] Specifies the function that combines the two resources that define the event. Resource B, bits [13:7] and Resource A, bits [6:0] Specify the two resources that are combined by the logical operation specified by the Function field.

Register ([ptm](#)) ETMCIDCVR1

Name	ETMCIDCVR1
Relative Address	0x000001B0
Absolute Address	debug_cpu_ptm0: 0xF889C1B0 debug_cpu_ptm1: 0xF889D1B0
Width	32 bits

Access Type                rw  
 Reset Value                0x00000000  
 Description                Context ID Comparator Value Register

Register ETMCIDCVR1 Details

Field Name	Bits	Type	Reset Value	Description
ContextID	31:0	rw	0x0	Holds a 32-bit Context ID value

Register ([ptm](#)) ETMCIDCMR

Name                        ETMCIDCMR  
 Relative Address            0x000001BC  
 Absolute Address            debug\_cpu\_ptm0: 0xF889C1BC  
                                   debug\_cpu\_ptm1: 0xF889D1BC  
 Width                        32 bits  
 Access Type                rw  
 Reset Value                0x00000000  
 Description                Context ID Comparator Mask Register

Register ETMCIDCMR Details

Field Name	Bits	Type	Reset Value	Description
ContextMask	31:0	rw	0x0	Holds a 32-bit Context ID mask

Register ([ptm](#)) ETMSYNCFR

Name                        ETMSYNCFR  
 Relative Address            0x000001E0  
 Absolute Address            debug\_cpu\_ptm0: 0xF889C1E0  
                                   debug\_cpu\_ptm1: 0xF889D1E0  
 Width                        12 bits  
 Access Type                mixed  
 Reset Value                0x00000400  
 Description                Synchronization Frequency Register

Register ETMSYNCFR Details

Field Name	Bits	Type	Reset Value	Description
SyncFreq	11:2	rw	0x100	Synchronization frequency
reserved	1:0	ro	0x0	Reserved

Register ([ptm](#)) ETMIDR

Name	ETMIDR
Relative Address	0x000001E4
Absolute Address	debug_cpu_ptm0: 0xF889C1E4 debug_cpu_ptm1: 0xF889D1E4
Width	32 bits
Access Type	ro
Reset Value	0x411CF301
Description	ID Register

Register ETMIDR Details

Field Name	Bits	Type	Reset Value	Description
ImplCode	31:24	ro	0x41	Implementor code. The field reads 0x41, ASCII code for A, indicating ARM Limited.
reserved	23:21	ro	0x0	Reserved
reserved	20	ro	0x1	Reserved, RAO
SecExtSupp	19	ro	0x1	Support for security extensions.
Thumb32Supp	18	ro	0x1	Support for 32-bit Thumb instructions.
reserved	17:16	ro	0x0	Reserved
Reserved_F	15:12	ro	0xF	Reserved, 0b1111
MajorVer	11:8	ro	0x3	Major architecture version number, 0b0011
MinorVer	7:4	ro	0x0	Minor architecture version number, 0b0000
ImplRev	3:0	ro	0x1	Implementation revision.

Register ([ptm](#)) ETMCCER

Name	ETMCCER
Relative Address	0x000001E8
Absolute Address	debug_cpu_ptm0: 0xF889C1E8 debug_cpu_ptm1: 0xF889D1E8
Width	26 bits

Access Type                ro  
 Reset Value                0x000008EA  
 Description                Configuration Code Extension Register

Register ETMCCER Details

Field Name	Bits	Type	Reset Value	Description
BarrTS	25	ro	0x0	Timestamps are not generated for DMB/DSB
BarrWP	24	ro	0x0	DMB/DSB instructions are not treated as waypoints.
RetStack	23	ro	0x0	Return stack implemented.
Timestamp	22	ro	0x0	Timestamping implemented.
reserved	21:16	ro	0x0	Reserved
InstrumRes	15:13	ro	0x0	Specifies the number of instrumentation resources.
Reserved_1	12	ro	0x0	Reserved, RAO
RegReads	11	ro	0x1	Indicates that all registers, except some Integration Test Registers, are readable.
ExtInSize	10:3	ro	0x1D	Specifies the size of the extended external input bus, 29.
ExtInSel	2:0	ro	0x2	Specifies the number of extended external input selectors, 2.

Register ([ptm](#)) ETMEXTINSELR

Name                        ETMEXTINSELR  
 Relative Address            0x000001EC  
 Absolute Address            debug\_cpu\_ptm0: 0xF889C1EC  
                                   debug\_cpu\_ptm1: 0xF889D1EC  
 Width                        14 bits  
 Access Type                rw  
 Reset Value                0x00000000  
 Description                Extended External Input Selection Register

Register ETMEXTINSELR Details

Field Name	Bits	Type	Reset Value	Description
ExtInSel2	13:8	rw	0x0	Second extended external input selector
reserved	7:6	rw	0x0	Reserved
ExtInSel1	5:0	rw	0x0	First extended external input selector

### Register ([ptm](#)) ETMAUXCR

Name	ETMAUXCR
Relative Address	0x000001FC
Absolute Address	debug_cpu_ptm0: 0xF889C1FC debug_cpu_ptm1: 0xF889D1FC
Width	4 bits
Access Type	rw
Reset Value	0x00000000
Description	Auxiliary Control Register

#### Register ETMAUXCR Details

Field Name	Bits	Type	Reset Value	Description
ForceSyncInsert	3	rw	0x0	Force insertion of synchronization packets, regardless of current trace activity. Possible values for this bit are: b0 = Synchronization packets delayed when trace activity is high. This is the reset value. b1 = Synchronization packets inserted regardless of trace activity. This bit might be set if synchronization packets occur too far apart. Setting this bit might cause the trace FIFO to overflow more frequently when trace activity is high.
DisableWPUupdate	2	rw	0x0	Specifies whether the PTM issues waypoint update packets if there are more than 4096 bytes between waypoints. Possible values for this bit are: b0 = PTM always issues update packets if there are more than 4096 bytes between waypoints. This is the reset value. b1 = PTM does not issue waypoint update packets unless required to do so as the result of an exception or debug entry.

Field Name	Bits	Type	Reset Value	Description
DisableTSONBarr	1	rw	0x0	Specifies whether the PTM issues a timestamp on a barrier instruction. Possible values for this bit are: b0 = PTM issues timestamps on barrier instructions. This is the reset value. b1 = PTM does not issue timestamps on barriers
DisableForcedOF	0	rw	0x0	Specifies whether the PTM enters overflow state when synchronization is requested, and the previous synchronization sequence has not yet completed. This does not affect entry to overflow state when the FIFO becomes full. Possible values for this bit are: b0 = Forced overflow enabled. This is the reset value. b1 = Forced overflow disabled.

### Register ([ptm](#)) ETMTRACEIDR

Name	ETMTRACEIDR
Relative Address	0x00000200
Absolute Address	debug_cpu_ptm0: 0xF889C200 debug_cpu_ptm1: 0xF889D200
Width	7 bits
Access Type	rw
Reset Value	0x00000000
Description	CoreSight Trace ID Register

#### Register ETMTRACEIDR Details

Field Name	Bits	Type	Reset Value	Description
TraceID	6:0	rw	0x0	Before trace is generated, you must program this register with a non-reserved value. Reserved values are 0x00 and any value in the range 0x70-0x7F. The reset value of this register is 0x00.

### Register ([ptm](#)) OSLSR

Name	OSLSR
Relative Address	0x00000304
Absolute Address	debug_cpu_ptm0: 0xF889C304 debug_cpu_ptm1: 0xF889D304

Width 32 bits  
 Access Type ro  
 Reset Value 0x00000000  
 Description OS Lock Status Register

Register OLSR Details

Field Name	Bits	Type	Reset Value	Description
	31:0	ro	0x0	Shows that OS Locking is not implemented.

Register ([ptm](#)) ETMPDSR

Name ETMPDSR  
 Relative Address 0x00000314  
 Absolute Address debug\_cpu\_ptm0: 0xF889C314  
 debug\_cpu\_ptm1: 0xF889D314  
 Width 32 bits  
 Access Type ro  
 Reset Value 0x00000001  
 Description Device Powerdown Status Register

Register ETMPDSR Details

Field Name	Bits	Type	Reset Value	Description
	31:0	ro	0x1	Indicates that the PTM Trace Registers can be accessed.

Register ([ptm](#)) ITMISCOUT

Name ITMISCOUT  
 Relative Address 0x00000EDC  
 Absolute Address debug\_cpu\_ptm0: 0xF889CEDC  
 debug\_cpu\_ptm1: 0xF889DEDCE  
 Width 10 bits  
 Access Type wo  
 Reset Value 0x00000000  
 Description Miscellaneous Outputs Register

Register ITMISCOUT Details

Field Name	Bits	Type	Reset Value	Description
PTMEXTOUT	9:8	wo	0x0	Drives the PTMEXTOUT[1:0] outputs
reserved	7:6	wo	0x0	Reserved
PTMIDLEACK	5	wo	0x0	Drives the PTMIDLEACK output
PTMDBGREQ	4	wo	0x0	Drives the PTMDBGREQ output
reserved	3:0	wo	0x0	Reserved

Register ([ptm](#)) ITMISCIN

Name	ITMISCIN
Relative Address	0x00000EE0
Absolute Address	debug_cpu_ptm0: 0xF889CEE0 debug_cpu_ptm1: 0xF889DEE0
Width	7 bits
Access Type	ro
Reset Value	x
Description	Miscellaneous Inputs Register

Register ITMISCIN Details

Field Name	Bits	Type	Reset Value	Description
STANDBYWFI	6	ro	x	Returns the value of the STANDBYWFI input
reserved	5	ro	0x0	Reserved
PTMDBGACK	4	ro	x	Returns the value of the PTMDBGACK input
EXTIN	3:0	ro	x	Returns the value of the EXTIN[3:0] inputs

Register ([ptm](#)) ITTRIGGER

Name	ITTRIGGER
Relative Address	0x00000EE8
Absolute Address	debug_cpu_ptm0: 0xF889CEE8 debug_cpu_ptm1: 0xF889DEE8
Width	1 bits
Access Type	wo
Reset Value	0x00000000
Description	Trigger Register



Register ITTRIGGER Details

Field Name	Bits	Type	Reset Value	Description
PTMTRIGGER	0	wo	0x0	Drives the PTMTRIGGER output

Register ([ptm](#)) ITATBDATA0

Name	ITATBDATA0
Relative Address	0x0000EEC
Absolute Address	debug_cpu_ptm0: 0xF889CEEC debug_cpu_ptm1: 0xF889DEEC
Width	5 bits
Access Type	wo
Reset Value	0x00000000
Description	ATB Data 0 Register

Register ITATBDATA0 Details

Field Name	Bits	Type	Reset Value	Description
ATDATAM31	4	wo	0x0	Drives the ATDATAM[31] output
ATDATAM23	3	wo	0x0	Drives the ATDATAM[23] output
ATDATAM15	2	wo	0x0	Drives the ATDATAM[15] output
ATDATAM7	1	wo	0x0	Drives the ATDATAM[7] output
ATDATAM0	0	wo	0x0	Drives the ATDATAM[0] output

Register ([ptm](#)) ITATBCTR2

Name	ITATBCTR2
Relative Address	0x0000EF0
Absolute Address	debug_cpu_ptm0: 0xF889CEF0 debug_cpu_ptm1: 0xF889DEF0
Width	2 bits
Access Type	ro
Reset Value	x
Description	ATB Control 2 Register

Register ITATBCTR2 Details

Field Name	Bits	Type	Reset Value	Description
AFVALIDM	1	ro	x	Returns the value of the AFVALIDM input
ATREADYM	0	ro	x	Returns the value of the ATREADYM input

Register ([ptm](#)) ITATBID

Name	ITATBID
Relative Address	0x00000EF4
Absolute Address	debug_cpu_ptm0: 0xF889CEF4 debug_cpu_ptm1: 0xF889DEF4
Width	7 bits
Access Type	wo
Reset Value	0x00000000
Description	ATB Identification Register

Register ITATBID Details

Field Name	Bits	Type	Reset Value	Description
ATIDM	6:0	wo	0x0	Drives the ATIDM[6:0] outputs

Register ([ptm](#)) ITATBCTR0

Name	ITATBCTR0
Relative Address	0x00000EF8
Absolute Address	debug_cpu_ptm0: 0xF889CEF8 debug_cpu_ptm1: 0xF889DEF8
Width	10 bits
Access Type	wo
Reset Value	0x00000000
Description	ATB Control 0 Register

Register ITATBCTR0 Details

Field Name	Bits	Type	Reset Value	Description
ATBYTESM	9:8	wo	0x0	Drives the ATBYTESM[9:8] outputs
reserved	7:2	wo	0x0	Reserved

Field Name	Bits	Type	Reset Value	Description
AFREADYM	1	wo	0x0	Drives the AFREADYM output
ATVALIDM	0	wo	0x0	Drives the ATVALIDM output

### Register ([ptm](#)) ETMITCTRL

Name	ETMITCTRL
Relative Address	0x0000F00
Absolute Address	debug_cpu_ptm0: 0xF889CF00 debug_cpu_ptm1: 0xF889DF00
Width	1 bits
Access Type	rw
Reset Value	0x00000000
Description	Integration Mode Control Register

#### Register ETMITCTRL Details

Field Name	Bits	Type	Reset Value	Description
	0	rw	0x0	Enable Integration Test registers. Before entering integration mode, the PTM must be powered up and in programming mode. This means bit 0 of the Main Control Register is set to 0, and bit 10 of the Main Control Register is set 1. After leaving integration mode, the PTM must be reset before attempting to perform tracing.

### Register ([ptm](#)) CTSR

Name	CTSR
Relative Address	0x0000FA0
Absolute Address	debug_cpu_ptm0: 0xF889CFA0 debug_cpu_ptm1: 0xF889DFA0
Width	8 bits
Access Type	rw
Reset Value	0x000000FF
Description	Claim Tag Set Register

Register CTSR Details

Field Name	Bits	Type	Reset Value	Description
	7:0	rw	0xFF	The claim tag register is used for any interrogating tools to determine if the device is being programmed or has been programmed. Read: 1= Claim tag is implemented, 0 = Claim tag is not implemented Write: 1= Set claim tag bit, 0= No effect

Register ([ptm](#)) CTCR

Name	CTCR
Relative Address	0x00000FA4
Absolute Address	debug_cpu_ptm0: 0xF889CFA4 debug_cpu_ptm1: 0xF889DFA4
Width	8 bits
Access Type	rw
Reset Value	0x00000000
Description	Claim Tag Clear Register

Register CTCR Details

Field Name	Bits	Type	Reset Value	Description
	7:0	rw	0x0	The claim tag register is used for any interrogating tools to determine if the device is being programmed or has been programmed. Read: Current value of claim tag. Write: 1= Clear claim tag bit, 0= No effect

Register ([ptm](#)) LAR

Name	LAR
Relative Address	0x00000FB0
Absolute Address	debug_cpu_ptm0: 0xF889CFB0 debug_cpu_ptm1: 0xF889DFB0
Width	32 bits
Access Type	wo
Reset Value	0x00000000

Description Lock Access Register

Register LAR Details

Field Name	Bits	Type	Reset Value	Description
	31:0	wo	0x0	<p>Write Access Code.</p> <p>Write behavior depends on PADDRDBG31 pin:</p> <ul style="list-style-type: none"> <li>- PADDRDBG31=0 (lower 2GB): After reset (via PRESETDBGn), PTM is locked, i.e., writes to all other registers using lower 2GB addresses are ignored. To unlock, 0xC5ACCE55 must be written this register. After the required registers are written, to lock again, write a value other than 0xC5ACCE55 to this register.</li> <li>- PADDRDBG31=1 (upper 2GB): PTM is unlocked when upper 2GB addresses are used to write to all the registers. However, write to this register is ignored using a upper 2GB address! Note: read from this register always returns 0, regardless of PADDRDBG31.</li> </ul>

Register ([ptm](#)) LSR

Name LSR

Relative Address 0x00000FB4

Absolute Address debug\_cpu\_ptm0: 0xF889CFB4  
debug\_cpu\_ptm1: 0xF889DFB4

Width 3 bits

Access Type ro

Reset Value 0x00000003

Description Lock Status Register

Register LSR Details

Field Name	Bits	Type	Reset Value	Description
8BIT	2	ro	0x0	Set to 0 since PTM implements a 32-bit lock access register
STATUS	1	ro	0x1	Read behavior depends on PADDRDBG31 pin: - PADDRDBG31=0 (lower 2GB): When a lower 2GB address is used to read this register, this bit indicates whether PTM is in locked state (1= locked, 0= unlocked). - PADDRDBG31=1 (upper 2GB): always returns 0.
IMP	0	ro	0x1	Read behavior depends on PADDRDBG31 pin: - PADDRDBG31=0 (lower 2GB): always returns 1, meaning lock mechanism are implemented. - PADDRDBG31=1 (upper 2GB): always returns 0, meaning lock mechanism is NOT implemented.

Register ([ptm](#)) ASR

Name	ASR
Relative Address	0x00000FB8
Absolute Address	debug_cpu_ptm0: 0xF889CFB8 debug_cpu_ptm1: 0xF889DFB8
Width	8 bits
Access Type	ro
Reset Value	x
Description	Authentication Status Register

Register ASR Details

Field Name	Bits	Type	Reset Value	Description
SNI	7:6	ro	0x0	Secure non-invasive debug Always 2'b00. This functionality is not implemented
SI	5:4	ro	0x0	Secure invasive debug Always 2'b00. This functionality is not implemented.

Field Name	Bits	Type	Reset Value	Description
NSNI	3:2	ro	x	Non-secure non-invasive debug IF NIDEN or DBGEN is 1, this field is 2'b11, indicating the functionality is implemented and enabled. Otherwise, this field is 2'b10 (implemented but disabled)
NSI	1:0	ro	0x0	Non-secure invasive debug Always 2'b00. This functionality is not implemented.

### Register ([ptm](#)) DEVID

Name	DEVID
Relative Address	0x0000FC8
Absolute Address	debug_cpu_ptm0: 0xF889CFC8 debug_cpu_ptm1: 0xF889DFC8
Width	32 bits
Access Type	ro
Reset Value	0x00000000
Description	Device ID

#### Register DEVID Details

Field Name	Bits	Type	Reset Value	Description
	31:0	ro	0x0	Component capability

### Register ([ptm](#)) DTIR

Name	DTIR
Relative Address	0x0000FCC
Absolute Address	debug_cpu_ptm0: 0xF889CFCC debug_cpu_ptm1: 0xF889DFCC
Width	8 bits
Access Type	ro
Reset Value	0x00000013
Description	Device Type Identifier Register

Register DTIR Details

Field Name	Bits	Type	Reset Value	Description
	7:0	ro	0x13	A trace source and processor trace

Register ([ptm](#)) PERIPHID4

Name	PERIPHID4
Relative Address	0x0000FD0
Absolute Address	debug_cpu_ptm0: 0xF889CFD0 debug_cpu_ptm1: 0xF889DFD0
Width	8 bits
Access Type	ro
Reset Value	0x00000004
Description	Peripheral ID4

Register PERIPHID4 Details

Field Name	Bits	Type	Reset Value	Description
4KB_count	7:4	ro	0x0	4KB Count, set to 0
JEP106ID	3:0	ro	0x4	JEP106 continuation code

Register ([ptm](#)) PERIPHID5

Name	PERIPHID5
Relative Address	0x0000FD4
Absolute Address	debug_cpu_ptm0: 0xF889CFD4 debug_cpu_ptm1: 0xF889DFD4
Width	8 bits
Access Type	ro
Reset Value	0x00000000
Description	Peripheral ID5

Register PERIPHID5 Details

Field Name	Bits	Type	Reset Value	Description
	7:0	ro	0x0	reserved



### Register ([ptm](#)) PERIPHID6

Name	PERIPHID6
Relative Address	0x0000FD8
Absolute Address	debug_cpu_ptm0: 0xF889CFD8 debug_cpu_ptm1: 0xF889DFD8
Width	8 bits
Access Type	ro
Reset Value	0x00000000
Description	Peripheral ID6

#### Register PERIPHID6 Details

Field Name	Bits	Type	Reset Value	Description
	7:0	ro	0x0	reserved

### Register ([ptm](#)) PERIPHID7

Name	PERIPHID7
Relative Address	0x0000FDC
Absolute Address	debug_cpu_ptm0: 0xF889CFDC debug_cpu_ptm1: 0xF889DFDC
Width	8 bits
Access Type	ro
Reset Value	0x00000000
Description	Peripheral ID7

#### Register PERIPHID7 Details

Field Name	Bits	Type	Reset Value	Description
	7:0	ro	0x0	reserved

### Register ([ptm](#)) PERIPHID0

Name	PERIPHID0
Relative Address	0x0000FE0
Absolute Address	debug_cpu_ptm0: 0xF889CFE0 debug_cpu_ptm1: 0xF889DFE0
Width	8 bits

Access Type ro  
 Reset Value 0x00000050  
 Description Peripheral ID0

Register PERIPHID0 Details

Field Name	Bits	Type	Reset Value	Description
	7:0	ro	0x50	PartNumber0

Register ([ptm](#)) PERIPHID1

Name PERIPHID1  
 Relative Address 0x0000FE4  
 Absolute Address debug\_cpu\_ptm0: 0xF889CFE4  
 debug\_cpu\_ptm1: 0xF889DFE4  
 Width 8 bits  
 Access Type ro  
 Reset Value 0x000000B9  
 Description Peripheral ID1

Register PERIPHID1 Details

Field Name	Bits	Type	Reset Value	Description
JEP106ID	7:4	ro	0xB	JEP106 Identity Code [3:0]
PartNumber1	3:0	ro	0x9	PartNumber1

Register ([ptm](#)) PERIPHID2

Name PERIPHID2  
 Relative Address 0x0000FE8  
 Absolute Address debug\_cpu\_ptm0: 0xF889CFE8  
 debug\_cpu\_ptm1: 0xF889DFE8  
 Width 8 bits  
 Access Type ro  
 Reset Value 0x0000001B  
 Description Peripheral ID2

Register PERIPHID2 Details

Field Name	Bits	Type	Reset Value	Description
RevNum	7:4	ro	0x1	Revision number of Peripheral
JEDEC	3	ro	0x1	Indicates that a JEDEC assigned value is used
JEP106ID	2:0	ro	0x3	JEP106 Identity Code [6:4]

Register ([ptm](#)) PERIPHID3

Name	PERIPHID3
Relative Address	0x0000FEC
Absolute Address	debug_cpu_ptm0: 0xF889CFEC debug_cpu_ptm1: 0xF889DFEC
Width	8 bits
Access Type	ro
Reset Value	0x00000000
Description	Peripheral ID3

Register PERIPHID3 Details

Field Name	Bits	Type	Reset Value	Description
RevAnd	7:4	ro	0x0	RevAnd, at top level
CustMod	3:0	ro	0x0	Customer Modified

Register ([ptm](#)) COMPID0

Name	COMPID0
Relative Address	0x0000FF0
Absolute Address	debug_cpu_ptm0: 0xF889CFF0 debug_cpu_ptm1: 0xF889DFF0
Width	8 bits
Access Type	ro
Reset Value	0x0000000D
Description	Component ID0

Register COMPID0 Details

Field Name	Bits	Type	Reset Value	Description
	7:0	ro	0xD	Preamble

### Register ([ptm](#)) COMPID1

Name	COMPID1
Relative Address	0x0000FF4
Absolute Address	debug_cpu_ptm0: 0xF889CFF4 debug_cpu_ptm1: 0xF889DFF4
Width	8 bits
Access Type	ro
Reset Value	0x00000090
Description	Component ID1

#### Register COMPID1 Details

Field Name	Bits	Type	Reset Value	Description
	7:0	ro	0x90	Preamble

### Register ([ptm](#)) COMPID2

Name	COMPID2
Relative Address	0x0000FF8
Absolute Address	debug_cpu_ptm0: 0xF889CFF8 debug_cpu_ptm1: 0xF889DFF8
Width	8 bits
Access Type	ro
Reset Value	0x00000005
Description	Component ID2

#### Register COMPID2 Details

Field Name	Bits	Type	Reset Value	Description
	7:0	ro	0x5	Preamble

### Register ([ptm](#)) COMPID3

Name	COMPID3
Relative Address	0x0000FFC
Absolute Address	debug_cpu_ptm0: 0xF889CFFC debug_cpu_ptm1: 0xF889DFFC
Width	8 bits

Access Type            ro  
 Reset Value            0x000000B1  
 Description            Component ID3

### Register COMPID3 Details

Field Name	Bits	Type	Reset Value	Description
	7:0	ro	0xB1	Preamble

## B.10 Debug Access Port (dap)

Module Name	Debug Access Port (dap)
Base Address	0xF8800000 debug_dap_rom
Description	Debug Access Port ROM Table
Vendor Info	

### Register Summary

Register Name	Address	Width	Type	Reset Value	Description
<a href="#">ROMENTRY00</a>	0x00000000	32	ro	0x00001003	ROM entry 00
<a href="#">ROMENTRY01</a>	0x00000004	32	ro	0x00002003	ROM entry 01
<a href="#">ROMENTRY02</a>	0x00000008	32	ro	0x00003003	ROM entry 02
<a href="#">ROMENTRY03</a>	0x0000000C	32	ro	0x00004003	ROM entry 03
<a href="#">ROMENTRY04</a>	0x00000010	32	ro	0x00005003	ROM entry 04
<a href="#">ROMENTRY05</a>	0x00000014	32	ro	0x00009003	ROM entry 05
<a href="#">ROMENTRY06</a>	0x00000018	32	ro	0x0000A003	ROM entry 06
<a href="#">ROMENTRY07</a>	0x0000001C	32	ro	0x0000B003	ROM entry 07
<a href="#">ROMENTRY08</a>	0x00000020	32	ro	0x0000C003	ROM entry 08
<a href="#">ROMENTRY09</a>	0x00000024	32	ro	0x00080003	ROM entry 09
<a href="#">ROMENTRY10</a>	0x00000028	32	rw	0x00000000	ROM entry 10
<a href="#">ROMENTRY11</a>	0x0000002C	32	rw	0x00000000	ROM entry 11
<a href="#">ROMENTRY12</a>	0x00000030	32	rw	0x00000000	ROM entry 12
<a href="#">ROMENTRY13</a>	0x00000034	32	rw	0x00000000	ROM entry 13
<a href="#">ROMENTRY14</a>	0x00000038	32	rw	0x00000000	ROM entry 14
<a href="#">ROMENTRY15</a>	0x0000003C	32	rw	0x00000000	ROM entry 15
<a href="#">PERIPHID4</a>	0x00000FD0	8	ro	0x00000003	Peripheral ID4
<a href="#">PERIPHID5</a>	0x00000FD4	8	ro	0x00000000	Peripheral ID5
<a href="#">PERIPHID6</a>	0x00000FD8	8	ro	0x00000000	Peripheral ID6
<a href="#">PERIPHID7</a>	0x00000FDC	8	ro	0x00000000	Peripheral ID7
<a href="#">PERIPHID0</a>	0x00000FE0	8	ro	0x000000B2	Peripheral ID0
<a href="#">PERIPHID1</a>	0x00000FE4	8	ro	0x00000093	Peripheral ID1
<a href="#">PERIPHID2</a>	0x00000FE8	8	ro	0x00000028	Peripheral ID2
<a href="#">PERIPHID3</a>	0x00000FEC	8	ro	0x00000007	Peripheral ID3

Register Name	Address	Width	Type	Reset Value	Description
<a href="#">COMPID0</a>	0x00000FF0	8	ro	0x0000000D	Component ID0
<a href="#">COMPID1</a>	0x00000FF4	8	ro	0x00000010	Component ID1
<a href="#">COMPID2</a>	0x00000FF8	8	ro	0x00000005	Component ID2
<a href="#">COMPID3</a>	0x00000FFC	8	ro	0x000000B1	Component ID3

### Register ([dap](#)) ROMENTRY00

Name	ROMENTRY00
Relative Address	0x00000000
Absolute Address	0xF8800000
Width	32 bits
Access Type	ro
Reset Value	0x00001003
Description	ROM entry 00

#### Register ROMENTRY00 Details

Field Name	Bits	Type	Reset Value	Description
AddressOffset	31:12	ro	0x1	Base address of the component, relative to the ROM address. Negative values are permitted using two's complement. ComponentAddress = ROMAddress + (AddressOffset SHL 12)
reserved	11:2	ro	0x0	Reserved
Format	1	ro	0x1	Format of ROM entry Enumerated Value List: 32BIT=1. 8BIT=0.
EntryPresent	0	ro	0x1	Set HIGH to indicate an entry is present.

### Register ([dap](#)) ROMENTRY01

Name	ROMENTRY01
Relative Address	0x00000004
Absolute Address	0xF8800004
Width	32 bits
Access Type	ro

Reset Value 0x00002003  
 Description ROM entry 01

Register ROMENTRY01 Details

Field Name	Bits	Type	Reset Value	Description
AddressOffset	31:12	ro	0x2	Base address of the component, relative to the ROM address. Negative values are permitted using two's complement. ComponentAddress = ROMAddress + (AddressOffset SHL 12)
reserved	11:2	ro	0x0	Reserved
Format	1	ro	0x1	Format of ROM entry Enumerated Value List: 32BIT=1. 8BIT=0.
EntryPresent	0	ro	0x1	Set HIGH to indicate an entry is present.

Register ([dap](#)) ROMENTRY02

Name ROMENTRY02  
 Relative Address 0x00000008  
 Absolute Address 0xF8800008  
 Width 32 bits  
 Access Type ro  
 Reset Value 0x00003003  
 Description ROM entry 02

Register ROMENTRY02 Details

Field Name	Bits	Type	Reset Value	Description
AddressOffset	31:12	ro	0x3	Base address of the component, relative to the ROM address. Negative values are permitted using two's complement. ComponentAddress = ROMAddress + (AddressOffset SHL 12)
reserved	11:2	ro	0x0	Reserved



Field Name	Bits	Type	Reset Value	Description
Format	1	ro	0x1	Format of ROM entry Enumerated Value List: 32BIT=1. 8BIT=0.
EntryPresent	0	ro	0x1	Set HIGH to indicate an entry is present.

### Register ([dap](#)) ROMENTRY03

Name	ROMENTRY03
Relative Address	0x0000000C
Absolute Address	0xF880000C
Width	32 bits
Access Type	ro
Reset Value	0x00004003
Description	ROM entry 03

#### Register ROMENTRY03 Details

Field Name	Bits	Type	Reset Value	Description
AddressOffset	31:12	ro	0x4	Base address of the component, relative to the ROM address. Negative values are permitted using two's complement. ComponentAddress = ROMAddress + (AddressOffset SHL 12)
reserved	11:2	ro	0x0	Reserved
Format	1	ro	0x1	Format of ROM entry Enumerated Value List: 32BIT=1. 8BIT=0.
EntryPresent	0	ro	0x1	Set HIGH to indicate an entry is present.

### Register ([dap](#)) ROMENTRY04

Name	ROMENTRY04
Relative Address	0x00000010
Absolute Address	0xF8800010
Width	32 bits
Access Type	ro

Reset Value 0x00005003  
 Description ROM entry 04

Register ROMENTRY04 Details

Field Name	Bits	Type	Reset Value	Description
AddressOffset	31:12	ro	0x5	Base address of the component, relative to the ROM address. Negative values are permitted using two's complement. ComponentAddress = ROMAddress + (AddressOffset SHL 12)
reserved	11:2	ro	0x0	Reserved
Format	1	ro	0x1	Format of ROM entry Enumerated Value List: 32BIT=1. 8BIT=0.
EntryPresent	0	ro	0x1	Set HIGH to indicate an entry is present.

Register ([dap](#)) ROMENTRY05

Name ROMENTRY05  
 Relative Address 0x00000014  
 Absolute Address 0xF8800014  
 Width 32 bits  
 Access Type ro  
 Reset Value 0x00009003  
 Description ROM entry 05

Register ROMENTRY05 Details

Field Name	Bits	Type	Reset Value	Description
AddressOffset	31:12	ro	0x9	Base address of the component, relative to the ROM address. Negative values are permitted using two's complement. ComponentAddress = ROMAddress + (AddressOffset SHL 12)
reserved	11:2	ro	0x0	Reserved

Field Name	Bits	Type	Reset Value	Description
Format	1	ro	0x1	Format of ROM entry Enumerated Value List: 32BIT=1. 8BIT=0.
EntryPresent	0	ro	0x1	Set HIGH to indicate an entry is present.

### Register ([dap](#)) ROMENTRY06

Name	ROMENTRY06
Relative Address	0x00000018
Absolute Address	0xF8800018
Width	32 bits
Access Type	ro
Reset Value	0x0000A003
Description	ROM entry 06

#### Register ROMENTRY06 Details

Field Name	Bits	Type	Reset Value	Description
AddressOffset	31:12	ro	0xA	Base address of the component, relative to the ROM address. Negative values are permitted using two's complement. ComponentAddress = ROMAddress + (AddressOffset SHL 12)
reserved	11:2	ro	0x0	Reserved
Format	1	ro	0x1	Format of ROM entry Enumerated Value List: 32BIT=1. 8BIT=0.
EntryPresent	0	ro	0x1	Set HIGH to indicate an entry is present.

### Register ([dap](#)) ROMENTRY07

Name	ROMENTRY07
Relative Address	0x0000001C
Absolute Address	0xF880001C
Width	32 bits
Access Type	ro

Reset Value 0x0000B003  
 Description ROM entry 07

Register ROMENTRY07 Details

Field Name	Bits	Type	Reset Value	Description
AddressOffset	31:12	ro	0xB	Base address of the component, relative to the ROM address. Negative values are permitted using two's complement. ComponentAddress = ROMAddress + (AddressOffset SHL 12)
reserved	11:2	ro	0x0	Reserved
Format	1	ro	0x1	Format of ROM entry Enumerated Value List: 32BIT=1. 8BIT=0.
EntryPresent	0	ro	0x1	Set HIGH to indicate an entry is present.

Register ([dap](#)) ROMENTRY08

Name ROMENTRY08  
 Relative Address 0x00000020  
 Absolute Address 0xF8800020  
 Width 32 bits  
 Access Type ro  
 Reset Value 0x0000C003  
 Description ROM entry 08

Register ROMENTRY08 Details

Field Name	Bits	Type	Reset Value	Description
AddressOffset	31:12	ro	0xC	Base address of the component, relative to the ROM address. Negative values are permitted using two's complement. ComponentAddress = ROMAddress + (AddressOffset SHL 12)
reserved	11:2	ro	0x0	Reserved

Field Name	Bits	Type	Reset Value	Description
Format	1	ro	0x1	Format of ROM entry Enumerated Value List: 32BIT=1. 8BIT=0.
EntryPresent	0	ro	0x1	Set HIGH to indicate an entry is present.

### Register ([dap](#)) ROMENTRY09

Name	ROMENTRY09
Relative Address	0x00000024
Absolute Address	0xF8800024
Width	32 bits
Access Type	ro
Reset Value	0x00080003
Description	ROM entry 09

#### Register ROMENTRY09 Details

Field Name	Bits	Type	Reset Value	Description
AddressOffset	31:12	ro	0x80	Base address of the component, relative to the ROM address. Negative values are permitted using two's complement. ComponentAddress = ROMAddress + (AddressOffset SHL 12)
reserved	11:2	ro	0x0	Reserved
Format	1	ro	0x1	Format of ROM entry Enumerated Value List: 32BIT=1. 8BIT=0.
EntryPresent	0	ro	0x1	Set HIGH to indicate an entry is present.

### Register ([dap](#)) ROMENTRY10

Name	ROMENTRY10
Relative Address	0x00000028
Absolute Address	0xF8800028
Width	32 bits
Access Type	rw

Reset Value 0x00000000  
 Description ROM entry 10

Register ROMENTRY10 Details

Field Name	Bits	Type	Reset Value	Description
	31:0	rw	0x0	Invalid entry

Register ([dap](#)) ROMENTRY11

Name ROMENTRY11  
 Relative Address 0x0000002C  
 Absolute Address 0xF880002C  
 Width 32 bits  
 Access Type rw  
 Reset Value 0x00000000  
 Description ROM entry 11

Register ROMENTRY11 Details

Field Name	Bits	Type	Reset Value	Description
	31:0	rw	0x0	Invalid entry

Register ([dap](#)) ROMENTRY12

Name ROMENTRY12  
 Relative Address 0x00000030  
 Absolute Address 0xF8800030  
 Width 32 bits  
 Access Type rw  
 Reset Value 0x00000000  
 Description ROM entry 12

Register ROMENTRY12 Details

Field Name	Bits	Type	Reset Value	Description
	31:0	rw	0x0	Invalid entry

### Register ([dap](#)) ROMENTRY13

Name ROMENTRY13  
 Relative Address 0x00000034  
 Absolute Address 0xF8800034  
 Width 32 bits  
 Access Type rw  
 Reset Value 0x00000000  
 Description ROM entry 13

#### Register ROMENTRY13 Details

Field Name	Bits	Type	Reset Value	Description
	31:0	rw	0x0	Invalid entry

### Register ([dap](#)) ROMENTRY14

Name ROMENTRY14  
 Relative Address 0x00000038  
 Absolute Address 0xF8800038  
 Width 32 bits  
 Access Type rw  
 Reset Value 0x00000000  
 Description ROM entry 14

#### Register ROMENTRY14 Details

Field Name	Bits	Type	Reset Value	Description
	31:0	rw	0x0	Invalid entry

### Register ([dap](#)) ROMENTRY15

Name ROMENTRY15  
 Relative Address 0x0000003C  
 Absolute Address 0xF880003C  
 Width 32 bits  
 Access Type rw  
 Reset Value 0x00000000  
 Description ROM entry 15

Register ROMENTRY15 Details

Field Name	Bits	Type	Reset Value	Description
	31:0	rw	0x0	Invalid entry

Register ([dap](#)) PERIPHID4

Name	PERIPHID4
Relative Address	0x0000FD0
Absolute Address	0xF880FD0
Width	8 bits
Access Type	ro
Reset Value	0x00000003
Description	Peripheral ID4

Register PERIPHID4 Details

Field Name	Bits	Type	Reset Value	Description
4KB_count	7:4	ro	0x0	4KB Count, set to 0
	3:0	ro	0x3	JEP106 continuation code

Register ([dap](#)) PERIPHID5

Name	PERIPHID5
Relative Address	0x0000FD4
Absolute Address	0xF880FD4
Width	8 bits
Access Type	ro
Reset Value	0x00000000
Description	Peripheral ID5

Register PERIPHID5 Details

Field Name	Bits	Type	Reset Value	Description
reserved	7:0	ro	0x0	Reserved

Register ([dap](#)) PERIPHID6

Name	PERIPHID6
------	-----------



Relative Address	0x0000FD8
Absolute Address	0xF880FD8
Width	8 bits
Access Type	ro
Reset Value	0x0000000
Description	Peripheral ID6

#### Register PERIPID6 Details

Field Name	Bits	Type	Reset Value	Description
reserved	7:0	ro	0x0	Reserved

#### Register ([dap](#)) PERIPID7

Name	PERIPID7
Relative Address	0x0000FDC
Absolute Address	0xF880FDC
Width	8 bits
Access Type	ro
Reset Value	0x0000000
Description	Peripheral ID7

#### Register PERIPID7 Details

Field Name	Bits	Type	Reset Value	Description
reserved	7:0	ro	0x0	Reserved

#### Register ([dap](#)) PERIPID0

Name	PERIPID0
Relative Address	0x0000FE0
Absolute Address	0xF880FE0
Width	8 bits
Access Type	ro
Reset Value	0x00000B2
Description	Peripheral ID0

Register PERIPHID0 Details

Field Name	Bits	Type	Reset Value	Description
PartNumber0	7:0	ro	0xB2	PartNumber0

Register ([dap](#)) PERIPHID1

Name	PERIPHID1
Relative Address	0x0000FE4
Absolute Address	0xF880FE4
Width	8 bits
Access Type	ro
Reset Value	0x0000093
Description	Peripheral ID1

Register PERIPHID1 Details

Field Name	Bits	Type	Reset Value	Description
JEP106ID	7:4	ro	0x9	JEP106 Identity Code [3:0]
PartNumber1	3:0	ro	0x3	PartNumber1

Register ([dap](#)) PERIPHID2

Name	PERIPHID2
Relative Address	0x0000FE8
Absolute Address	0xF880FE8
Width	8 bits
Access Type	ro
Reset Value	0x0000028
Description	Peripheral ID2

Register PERIPHID2 Details

Field Name	Bits	Type	Reset Value	Description
RevNum	7:4	ro	0x2	Revision number of Peripheral
JEDEC	3	ro	0x1	Indicates that a JEDEC assigned value is used
JEP106ID	2:0	ro	0x0	JEP106 Identity Code [6:4]

### Register ([dap](#)) PERIPHID3

Name	PERIPHID3
Relative Address	0x00000FEC
Absolute Address	0xF8800FEC
Width	8 bits
Access Type	ro
Reset Value	0x00000007
Description	Peripheral ID3

#### Register PERIPHID3 Details

Field Name	Bits	Type	Reset Value	Description
RevAnd	7:4	ro	0x0	RevAnd, at top level
CustMod	3:0	ro	0x7	Customer Modified

### Register ([dap](#)) COMPID0

Name	COMPID0
Relative Address	0x00000FF0
Absolute Address	0xF8800FF0
Width	8 bits
Access Type	ro
Reset Value	0x0000000D
Description	Component ID0

#### Register COMPID0 Details

Field Name	Bits	Type	Reset Value	Description
Preamble	7:0	ro	0xD	Preamble

### Register ([dap](#)) COMPID1

Name	COMPID1
Relative Address	0x00000FF4
Absolute Address	0xF8800FF4
Width	8 bits
Access Type	ro
Reset Value	0x00000010

Description Component ID1

Register COMPID1 Details

Field Name	Bits	Type	Reset Value	Description
Preamble	7:0	ro	0x10	Preamble

Register ([dap](#)) COMPID2

Name COMPID2  
 Relative Address 0x0000FF8  
 Absolute Address 0xF880FF8  
 Width 8 bits  
 Access Type ro  
 Reset Value 0x0000005  
 Description Component ID2

Register COMPID2 Details

Field Name	Bits	Type	Reset Value	Description
Preamble	7:0	ro	0x5	Preamble

Register ([dap](#)) COMPID3

Name COMPID3  
 Relative Address 0x0000FFC  
 Absolute Address 0xF880FFC  
 Width 8 bits  
 Access Type ro  
 Reset Value 0x00000B1  
 Description Component ID3

Register COMPID3 Details

Field Name	Bits	Type	Reset Value	Description
Preamble	7:0	ro	0xB1	Preamble

## B.11 CoreSight Embedded Trace Buffer (etb)

Module Name            CoreSight Embedded Trace Buffer (etb)  
 Base Address           0xF8801000 debug\_etb  
 Description            Embedded Trace Buffer  
 Vendor Info

### Register Summary

Register Name	Address	Width	Type	Reset Value	Description
<a href="#">RDP</a>	0x00000004	32	ro	0x00000400	RAM Depth Register
<a href="#">STS</a>	0x0000000C	4	ro	0x00000000	Status Register
<a href="#">RRD</a>	0x00000010	32	ro	0x00000000	RAM Read Data Register
<a href="#">RRP</a>	0x00000014	10	rw	0x00000000	RAM Read Pointer Register
<a href="#">RWP</a>	0x00000018	10	rw	0x00000000	RAM Write Pointer Register
<a href="#">TRG</a>	0x0000001C	10	rw	0x00000000	Trigger Counter Register
<a href="#">CTL</a>	0x00000020	1	rw	0x00000000	Control Register
<a href="#">RWD</a>	0x00000024	32	rw	0x00000000	RAM Write Data Register
<a href="#">FFSR</a>	0x00000300	2	ro	0x00000002	Formatter and Flush Status Register
<a href="#">FFCR</a>	0x00000304	14	mixed	0x00000200	Formatter and Flush Control Register
<a href="#">ITMISCOPO</a>	0x00000EE0	2	wo	0x00000000	Integration Test Miscellaneous Output Register 0
<a href="#">ITTRFLINACK</a>	0x00000EE4	2	wo	0x00000000	Integration Test Trigger In and Flush In Acknowledge Register
<a href="#">ITTRFLIN</a>	0x00000EE8	2	wo	0x00000000	Integration Test Trigger In and Flush In Register
<a href="#">ITATBDATA0</a>	0x00000EEC	5	ro	0x00000000	Integration Test ATB Data Register
<a href="#">ITATBCTR2</a>	0x00000EF0	2	wo	0x00000000	Integration Test ATB Control Register 2
<a href="#">ITATBCTR1</a>	0x00000EF4	7	ro	0x00000000	Integration Test ATB Control Register 1
<a href="#">ITATBCTR0</a>	0x00000EF8	10	ro	0x00000000	Integration Test ATB Control Register 0
<a href="#">IMCR</a>	0x00000F00	1	rw	0x00000000	Integration Mode Control Register

Register Name	Address	Width	Type	Reset Value	Description
<a href="#">CTSR</a>	0x0000FA0	4	rw	0x0000000F	Claim Tag Set Register
<a href="#">CTCR</a>	0x0000FA4	4	rw	0x00000000	Claim Tag Clear Register
<a href="#">LAR</a>	0x0000FB0	32	wo	0x00000000	Lock Access Register
<a href="#">LSR</a>	0x0000FB4	3	ro	0x00000003	Lock Status Register
<a href="#">ASR</a>	0x0000FB8	8	ro	0x00000000	Authentication Status Register
<a href="#">DEVID</a>	0x0000FC8	6	ro	0x00000000	Device ID
<a href="#">DTIR</a>	0x0000FCC	8	ro	0x00000021	Device Type Identifier Register
<a href="#">PERIPID4</a>	0x0000FD0	8	ro	0x00000004	Peripheral ID4
<a href="#">PERIPID5</a>	0x0000FD4	8	ro	0x00000000	Peripheral ID5
<a href="#">PERIPID6</a>	0x0000FD8	8	ro	0x00000000	Peripheral ID6
<a href="#">PERIPID7</a>	0x0000FDC	8	ro	0x00000000	Peripheral ID7
<a href="#">PERIPID0</a>	0x0000FE0	8	ro	0x00000007	Peripheral ID0
<a href="#">PERIPID1</a>	0x0000FE4	8	ro	0x000000B9	Peripheral ID1
<a href="#">PERIPID2</a>	0x0000FE8	8	ro	0x0000003B	Peripheral ID2
<a href="#">PERIPID3</a>	0x0000FEC	8	ro	0x00000000	Peripheral ID3
<a href="#">COMPID0</a>	0x0000FF0	8	ro	0x0000000D	Component ID0
<a href="#">COMPID1</a>	0x0000FF4	8	ro	0x00000090	Component ID1
<a href="#">COMPID2</a>	0x0000FF8	8	ro	0x00000005	Component ID2
<a href="#">COMPID3</a>	0x0000FFC	8	ro	0x000000B1	Component ID3

### Register ([etb](#)) RDP

Name	RDP
Relative Address	0x00000004
Absolute Address	0xF8801004
Width	32 bits
Access Type	ro
Reset Value	0x00000400
Description	RAM Depth Register

#### Register RDP Details

Field Name	Bits	Type	Reset Value	Description
	31:0	ro	0x400	Defines the depth, in words, of the trace RAM.

### Register (etb) STS

Name STS  
 Relative Address 0x0000000C  
 Absolute Address 0xF880100C  
 Width 4 bits  
 Access Type ro  
 Reset Value 0x00000000  
 Description Status Register

#### Register STS Details

Field Name	Bits	Type	Reset Value	Description
FtEmpty	3	ro	0x0	Formatter pipeline empty. All data stored to RAM.
AcqComp	2	ro	0x0	Acquisition complete. The acquisition complete flag indicates that capture has been completed when the formatter stops because of any of the methods defined in the Formatter and Flush Control Register, or TraceCaptEn = 0. This also results in FtStopped in the Formatter and Flush Status Register going HIGH.
Triggered	1	ro	0x0	The Triggered bit is set when a trigger has been observed. This does not indicate that a trigger has been embedded in the trace data by the formatter, but is determined by the programming of the Formatter and Flush Control Register.
Full	0	ro	0x0	RAM Full. The flag indicates when the RAM write pointer has wrapped around.

### Register (etb) RRD

Name RRD  
 Relative Address 0x00000010  
 Absolute Address 0xF8801010  
 Width 32 bits  
 Access Type ro  
 Reset Value 0x00000000  
 Description RAM Read Data Register

Register RRD Details

Field Name	Bits	Type	Reset Value	Description
	31:0	ro	0x0	Data read from the ETB Trace RAM.

Register ([etb](#)) RRP

Name	RRP
Relative Address	0x00000014
Absolute Address	0xF8801014
Width	10 bits
Access Type	rw
Reset Value	0x00000000
Description	RAM Read Pointer Register

Register RRP Details

Field Name	Bits	Type	Reset Value	Description
	9:0	rw	0x0	Sets the read pointer used to read entries from the Trace RAM over the APB interface.

Register ([etb](#)) RWP

Name	RWP
Relative Address	0x00000018
Absolute Address	0xF8801018
Width	10 bits
Access Type	rw
Reset Value	0x00000000
Description	RAM Write Pointer Register

Register RWP Details

Field Name	Bits	Type	Reset Value	Description
	9:0	rw	0x0	Sets the write pointer used to write entries from the CoreSight bus into the Trace RAM

Register ([etb](#)) TRG

Name	TRG
------	-----



Relative Address 0x0000001C  
 Absolute Address 0xF880101C  
 Width 10 bits  
 Access Type rw  
 Reset Value 0x00000000  
 Description Trigger Counter Register

Register TRG Details

Field Name	Bits	Type	Reset Value	Description
	9:0	rw	0x0	The counter is used as follows: - Trace after The counter is set to a large value, slightly less than the number of entries in the RAM. - Trace before The counter is set to a small value. - Trace about The counter is set to half the depth of the Trace RAM. This register must not be written to when trace capture is enabled (FtStopped=0, TraceCaptEn=1). If a write is attempted, the register is not updated. A read access is permitted with trace capture enabled.

Register [\(etb\)](#) CTL

Name CTL  
 Relative Address 0x00000020  
 Absolute Address 0xF8801020  
 Width 1 bits  
 Access Type rw  
 Reset Value 0x00000000  
 Description Control Register

Register CTL Details

Field Name	Bits	Type	Reset Value	Description
TraceCaptEn	0	rw	0x0	<p>ETB Trace Capture Enable.</p> <p>1 = enable trace capture</p> <p>0 = disable trace capture.</p> <p>This is the master enable bit forcing FtStopped HIGH when TraceCaptEn is LOW.</p> <p>When capture is disabled, any remaining data in the ATB formatter is stored to RAM.</p> <p>When all data is stored the formatter outputs FtStopped. Capture is fully disabled, or complete, when FtStopped goes HIGH.</p>

Register ([etb](#)) RWD

Name	RWD
Relative Address	0x00000024
Absolute Address	0xF8801024
Width	32 bits
Access Type	rw
Reset Value	0x00000000
Description	RAM Write Data Register

Register RWD Details

Field Name	Bits	Type	Reset Value	Description
	31:0	rw	0x0	<p>Data written to the ETB Trace RAM.</p> <p>When trace capture is disabled, the contents of this register are placed into the ETB Trace RAM when this register is written to.</p> <p>Writing to this register increments the RAM Write Pointer Register.</p> <p>If trace capture is enabled, and this register is accessed, then a read from this register outputs 0xFFFFFFFF. Reads of this register never increment the RAM Write Pointer Register. A constant stream of 1s being output corresponds to a synchronization output from the ETB. If a write access is attempted, the data is not written into Trace RAM.</p>

Register ([etb](#)) FFSR

Name	FFSR
------	------

Relative Address 0x00000300  
 Absolute Address 0xF8801300  
 Width 2 bits  
 Access Type ro  
 Reset Value 0x00000002  
 Description Formatter and Flush Status Register

Register FFSR Details

Field Name	Bits	Type	Reset Value	Description
FtStopped	1	ro	0x1	Formatter stopped. The formatter has received a stop request signal and all trace data and post-amble has been output. Any more trace data on the ATB interface is ignored and ATREADY goes HIGH.
FlInProg	0	ro	0x0	Flush In Progress. This is an indication of the current state of AFVALIDS.

Register (etb) FFCR

Name FFCR  
 Relative Address 0x00000304  
 Absolute Address 0xF8801304  
 Width 14 bits  
 Access Type mixed  
 Reset Value 0x00000200  
 Description Formatter and Flush Control Register

Register FFCR Details

Field Name	Bits	Type	Reset Value	Description
StopTrig	13	rw	0x0	Stop the formatter when a Trigger Event has been observed.
StopFl	12	rw	0x0	Stop the formatter when a flush has completed (return of AFREADY). This forces the FIFO to drain off any part-completed packets. Setting this bit enables this function but this is clear on reset (disabled).
reserved	11	ro	0x0	Reserved
TrigFl	10	rw	0x0	Indicate a trigger on Flush completion (AFREADY being returned).
TrigEvt	9	rw	0x1	Indicate a trigger on a Trigger Event.

Field Name	Bits	Type	Reset Value	Description
TrigIn	8	rw	0x0	Indicate a trigger on TRIGIN being asserted.
reserved	7	ro	0x0	Reserved
FOnMan	6	rw	0x0	Manually generate a flush of the system. Setting this bit causes a flush to be generated. This is cleared when the flush has been serviced. This bit is clear on reset.
FOnTrig	5	rw	0x0	Generate flush using Trigger event. Set this bit to cause a flush of data in the system when a Trigger Event occurs. This bit is clear on reset.
FOnFlIn	4	rw	0x0	Generate flush using the FLUSHIN interface. Set this bit to enable use of the FLUSHIN connection. This bit is clear on reset.
reserved	3:2	ro	0x0	Reserved
EnFCont	1	rw	0x0	Continuous Formatting. Continuous mode in the ETB corresponds to normal mode with the embedding of triggers. Can only be changed when FtStopped is HIGH. This bit is clear on reset.
EnFTC	0	rw	0x0	Enable Formatting. Do not embed Triggers into the formatted stream. Trace disable cycles and triggers are indicated by TRACECTL, where fitted. Can only be changed when FtStopped is HIGH. This bit is clear on reset.

### Register ([etb](#)) ITMISCOPE0

Name	ITMISCOPE0
Relative Address	0x00000EE0
Absolute Address	0xF8801EE0
Width	2 bits
Access Type	wo
Reset Value	0x00000000
Description	Integration Test Miscellaneous Output Register 0

#### Register ITMISCOPE0 Details

Field Name	Bits	Type	Reset Value	Description
FULL	1	wo	0x0	Set the value of FULL
ACQCOMP	0	wo	0x0	Set the value of ACQCOMP

### Register ([etb](#)) ITTRFLINACK

Name	ITTRFLINACK
Relative Address	0x00000EE4
Absolute Address	0xF8801EE4
Width	2 bits
Access Type	wo
Reset Value	0x00000000
Description	Integration Test Trigger In and Flush In Acknowledge Register

#### Register ITTRFLINACK Details

Field Name	Bits	Type	Reset Value	Description
FLUSHINACK	1	wo	0x0	Set the value of FLUSHINACK
TRIGINACK	0	wo	0x0	Set the value of TRIGINACK

### Register ([etb](#)) ITTRFLIN

Name	ITTRFLIN
Relative Address	0x00000EE8
Absolute Address	0xF8801EE8
Width	2 bits
Access Type	wo
Reset Value	0x00000000
Description	Integration Test Trigger In and Flush In Register

#### Register ITTRFLIN Details

Field Name	Bits	Type	Reset Value	Description
FLUSHIN	1	wo	0x0	Read the value of FLUSHIN
TRIGIN	0	wo	0x0	Read the value of TRIGIN

### Register ([etb](#)) ITATBDATA0

Name	ITATBDATA0
Relative Address	0x00000EEC
Absolute Address	0xF8801EEC
Width	5 bits
Access Type	ro

Reset Value 0x00000000  
 Description Integration Test ATB Data Register

Register ITATBDATA0 Details

Field Name	Bits	Type	Reset Value	Description
ATDATA31	4	ro	0x0	Read the value of ATDATA[31]
ATDATA23	3	ro	0x0	Read the value of ATDATA[23]
ATDATA15	2	ro	0x0	Read the value of ATDATA[15]
ATDATA7	1	ro	0x0	Read the value of ATDATA[7]
ATDATA0	0	ro	0x0	Read the value of ATDATA[0]

Register ([etb](#)) ITATBCTR2

Name ITATBCTR2  
 Relative Address 0x00000EF0  
 Absolute Address 0xF8801EF0  
 Width 2 bits  
 Access Type wo  
 Reset Value 0x00000000  
 Description Integration Test ATB Control Register 2

Register ITATBCTR2 Details

Field Name	Bits	Type	Reset Value	Description
AFVALIDS	1	wo	0x0	Set the value of AFVALIDS
ATREADYDYS	0	wo	0x0	Set the value of ATREADYDYS

Register ([etb](#)) ITATBCTR1

Name ITATBCTR1  
 Relative Address 0x00000EF4  
 Absolute Address 0xF8801EF4  
 Width 7 bits  
 Access Type ro  
 Reset Value 0x00000000  
 Description Integration Test ATB Control Register 1

Register ITATBCTR1 Details

Field Name	Bits	Type	Reset Value	Description
ATID	6:0	ro	0x0	Read the value of ATIDS

Register ([etb](#)) ITATBCTR0

Name	ITATBCTR0
Relative Address	0x00000EF8
Absolute Address	0xF8801EF8
Width	10 bits
Access Type	ro
Reset Value	0x00000000
Description	Integration Test ATB Control Register 0

Register ITATBCTR0 Details

Field Name	Bits	Type	Reset Value	Description
ATBYTES	9:8	ro	0x0	Read the value of ATBYTES
reserved	7:2	ro	0x0	Reserved
AFREADY	1	ro	0x0	Read the value of AFREADY
ATVALID	0	ro	0x0	Read the value of ATVALID

Register ([etb](#)) IMCR

Name	IMCR
Relative Address	0x00000F00
Absolute Address	0xF8801F00
Width	1 bits
Access Type	rw
Reset Value	0x00000000
Description	Integration Mode Control Register

Register IMCR Details

Field Name	Bits	Type	Reset Value	Description
	0	rw	0x0	Enable Integration Test registers.

### Register ([etb](#)) CTSR

Name	CTSR
Relative Address	0x0000FA0
Absolute Address	0xF8801FA0
Width	4 bits
Access Type	rw
Reset Value	0x0000000F
Description	Claim Tag Set Register

#### Register CTSR Details

Field Name	Bits	Type	Reset Value	Description
	3:0	rw	0xF	The claim tag register is used for any interrogating tools to determine if the device is being programmed or has been programmed. Read: 1= Claim tag is implemented, 0 = Claim tag is not implemented Write: 1= Set claim tag bit, 0= No effect

### Register ([etb](#)) CTCR

Name	CTCR
Relative Address	0x0000FA4
Absolute Address	0xF8801FA4
Width	4 bits
Access Type	rw
Reset Value	0x00000000
Description	Claim Tag Clear Register

#### Register CTCR Details

Field Name	Bits	Type	Reset Value	Description
	3:0	rw	0x0	The claim tag register is used for any interrogating tools to determine if the device is being programmed or has been programmed. Read: Current value of claim tag. Write: 1= Clear claim tag bit, 0= No effect



### Register ([etb](#)) LAR

Name	LAR
Relative Address	0x00000FB0
Absolute Address	0xF8801FB0
Width	32 bits
Access Type	wo
Reset Value	0x00000000
Description	Lock Access Register

#### Register LAR Details

Field Name	Bits	Type	Reset Value	Description
	31:0	wo	0x0	<p>Write Access Code.</p> <p>Write behavior depends on PADDRDBG31 pin:</p> <ul style="list-style-type: none"> <li>- PADDRDBG31=0 (lower 2GB):</li> </ul> <p>After reset (via PRESETDBGn), ETB is locked, i.e., writes to all other registers using lower 2GB addresses are ignored.</p> <p>To unlock, 0xC5ACCE55 must be written this register.</p> <p>After the required registers are written, to lock again, write a value other than 0xC5ACCE55 to this register.</p> <ul style="list-style-type: none"> <li>- PADDRDBG31=1 (upper 2GB):</li> </ul> <p>ETB is unlocked when upper 2GB addresses are used to write to all the registers.</p> <p>However, write to this register is ignored using a upper 2GB address!</p> <p>Note: read from this register always returns 0, regardless of PADDRDBG31.</p>

### Register ([etb](#)) LSR

Name	LSR
Relative Address	0x00000FB4
Absolute Address	0xF8801FB4
Width	3 bits
Access Type	ro
Reset Value	0x00000003
Description	Lock Status Register

Register LSR Details

Field Name	Bits	Type	Reset Value	Description
8BIT	2	ro	0x0	Set to 0 since ETB implements a 32-bit lock access register
STATUS	1	ro	0x1	Read behavior depends on PADDRDBG31 pin: - PADDRDBG31=0 (lower 2GB): When a lower 2GB address is used to read this register, this bit indicates whether ETB is in locked state (1= locked, 0= unlocked). - PADDRDBG31=1 (upper 2GB): always returns 0.
IMP	0	ro	0x1	Read behavior depends on PADDRDBG31 pin: - PADDRDBG31=0 (lower 2GB): always returns 1, meaning lock mechanism are implemented. - PADDRDBG31=1 (upper 2GB): always returns 0, meaning lock mechanism is NOT implemented.

Register (etb) ASR

Name	ASR
Relative Address	0x00000FB8
Absolute Address	0xF8801FB8
Width	8 bits
Access Type	ro
Reset Value	0x00000000
Description	Authentication Status Register

Register ASR Details

Field Name	Bits	Type	Reset Value	Description
	7:0	ro	0x0	Indicates functionality not implemented

Register (etb) DEVID

Name	DEVID
Relative Address	0x00000FC8
Absolute Address	0xF8801FC8
Width	6 bits

Access Type            ro  
 Reset Value           0x00000000  
 Description            Device ID

Register DEVID Details

Field Name	Bits	Type	Reset Value	Description
SyncATCLK	5	ro	0x0	ETB RAM is synchronous to ATCLK
InputMux	4:0	ro	0x0	no input multiplexing

Register ([etb](#)) DTIR

Name                    DTIR  
 Relative Address       0x00000FCC  
 Absolute Address       0xF8801FCC  
 Width                   8 bits  
 Access Type            ro  
 Reset Value            0x00000021  
 Description            Device Type Identifier Register

Register DTIR Details

Field Name	Bits	Type	Reset Value	Description
	7:0	ro	0x21	A trace sink and specifically an ETB

Register ([etb](#)) PERIPHID4

Name                    PERIPHID4  
 Relative Address       0x00000FD0  
 Absolute Address       0xF8801FD0  
 Width                   8 bits  
 Access Type            ro  
 Reset Value            0x00000004  
 Description            Peripheral ID4

Register PERIPHID4 Details

Field Name	Bits	Type	Reset Value	Description
4KB_count	7:4	ro	0x0	4KB Count, set to 0
JEP106ID	3:0	ro	0x4	JEP106 continuation code

Register ([etb](#)) PERIPHID5

Name	PERIPHID5
Relative Address	0x0000FD4
Absolute Address	0xF8801FD4
Width	8 bits
Access Type	ro
Reset Value	0x00000000
Description	Peripheral ID5

Register PERIPHID5 Details

Field Name	Bits	Type	Reset Value	Description
	7:0	ro	0x0	reserved

Register ([etb](#)) PERIPHID6

Name	PERIPHID6
Relative Address	0x0000FD8
Absolute Address	0xF8801FD8
Width	8 bits
Access Type	ro
Reset Value	0x00000000
Description	Peripheral ID6

Register PERIPHID6 Details

Field Name	Bits	Type	Reset Value	Description
	7:0	ro	0x0	reserved

Register ([etb](#)) PERIPHID7

Name	PERIPHID7
------	-----------

Relative Address 0x00000FDC  
 Absolute Address 0xF8801FDC  
 Width 8 bits  
 Access Type ro  
 Reset Value 0x00000000  
 Description Peripheral ID7

Register PERIPHID7 Details

Field Name	Bits	Type	Reset Value	Description
	7:0	ro	0x0	reserved

Register ([etb](#)) PERIPHID0

Name PERIPHID0  
 Relative Address 0x00000FE0  
 Absolute Address 0xF8801FE0  
 Width 8 bits  
 Access Type ro  
 Reset Value 0x00000007  
 Description Peripheral ID0

Register PERIPHID0 Details

Field Name	Bits	Type	Reset Value	Description
	7:0	ro	0x7	PartNumber0

Register ([etb](#)) PERIPHID1

Name PERIPHID1  
 Relative Address 0x00000FE4  
 Absolute Address 0xF8801FE4  
 Width 8 bits  
 Access Type ro  
 Reset Value 0x000000B9  
 Description Peripheral ID1

Register PERIPHID1 Details

Field Name	Bits	Type	Reset Value	Description
JEP106ID	7:4	ro	0xB	JEP106 Identity Code [3:0]
PartNumber1	3:0	ro	0x9	PartNumber1

Register ([etb](#)) PERIPHID2

Name	PERIPHID2
Relative Address	0x0000FE8
Absolute Address	0xF8801FE8
Width	8 bits
Access Type	ro
Reset Value	0x000003B
Description	Peripheral ID2

Register PERIPHID2 Details

Field Name	Bits	Type	Reset Value	Description
RevNum	7:4	ro	0x3	Revision number of Peripheral
JEDEC	3	ro	0x1	Indicates that a JEDEC assigned value is used
JEP106ID	2:0	ro	0x3	JEP106 Identity Code [6:4]

Register ([etb](#)) PERIPHID3

Name	PERIPHID3
Relative Address	0x0000FEC
Absolute Address	0xF8801FEC
Width	8 bits
Access Type	ro
Reset Value	0x0000000
Description	Peripheral ID3

Register PERIPHID3 Details

Field Name	Bits	Type	Reset Value	Description
RevAnd	7:4	ro	0x0	RevAnd, at top level
CustMod	3:0	ro	0x0	Customer Modified

### Register ([etb](#)) COMPID0

Name	COMPID0
Relative Address	0x0000FF0
Absolute Address	0xF8801FF0
Width	8 bits
Access Type	ro
Reset Value	0x000000D
Description	Component ID0

#### Register COMPID0 Details

Field Name	Bits	Type	Reset Value	Description
	7:0	ro	0xD	Preamble

### Register ([etb](#)) COMPID1

Name	COMPID1
Relative Address	0x0000FF4
Absolute Address	0xF8801FF4
Width	8 bits
Access Type	ro
Reset Value	0x0000090
Description	Component ID1

#### Register COMPID1 Details

Field Name	Bits	Type	Reset Value	Description
	7:0	ro	0x90	Preamble

### Register ([etb](#)) COMPID2

Name	COMPID2
Relative Address	0x0000FF8
Absolute Address	0xF8801FF8
Width	8 bits
Access Type	ro
Reset Value	0x0000005
Description	Component ID2

Register COMPID2 Details

Field Name	Bits	Type	Reset Value	Description
	7:0	ro	0x5	Preamble

Register ([etb](#)) COMPID3

Name	COMPID3
Relative Address	0x0000FFC
Absolute Address	0xF8801FFC
Width	8 bits
Access Type	ro
Reset Value	0x00000B1
Description	Component ID3

Register COMPID3 Details

Field Name	Bits	Type	Reset Value	Description
	7:0	ro	0xB1	Preamble



## B.12 PL Fabric Trace Monitor (ftm)

Module Name PL Fabric Trace Monitor (ftm)  
 Base Address 0xF880B000 debug\_ftm  
 Description Fabric Trace Macrocell  
 Vendor Info

### Register Summary

Register Name	Address	Width	Type	Reset Value	Description
<a href="#">FTMGLBCTRL</a>	0x00000000	1	rw	0x00000000	FTM Global Control Register
<a href="#">FTMSTATUS</a>	0x00000004	8	ro	0x00000082	FTM Status Register
<a href="#">FTMCONTROL</a>	0x00000008	3	rw	0x00000000	FTM Configuration
<a href="#">FTMP2FDBG0</a>	0x0000000C	8	rw	0x00000000	FPGA Debug Register P2F0
<a href="#">FTMP2FDBG1</a>	0x00000010	8	rw	0x00000000	FPGA Debug Register P2F1
<a href="#">FTMP2FDBG2</a>	0x00000014	8	rw	0x00000000	FPGA Debug Register P2F2
<a href="#">FTMP2FDBG3</a>	0x00000018	8	rw	0x00000000	FPGA Debug Register P2F3
<a href="#">FTMF2PDBG0</a>	0x0000001C	8	ro	0x00000000	FPGA Debug Register F2P0
<a href="#">FTMF2PDBG1</a>	0x00000020	8	ro	0x00000000	FPGA Debug Register F2P1
<a href="#">FTMF2PDBG2</a>	0x00000024	8	ro	0x00000000	FPGA Debug Register F2P2
<a href="#">FTMF2PDBG3</a>	0x00000028	8	ro	0x00000000	FPGA Debug Register F2P3
<a href="#">CYCOUNTPRE</a>	0x0000002C	4	rw	0x00000000	AXI Cycle Count clock pre-scaler
<a href="#">FTMSYNCRELOAD</a>	0x00000030	12	rw	0x00000000	FTM Synchronization Counter reload value
<a href="#">FTMSYNCCOUT</a>	0x00000034	12	ro	0x00000000	FTM Synchronization Counter value
<a href="#">FTMATID</a>	0x00000400	7	rw	0x00000000	FTM ATID Value Register
<a href="#">FTMITTRIGOUTACK</a>	0x00000ED0	4	ro	0x00000000	Trigger Output Acknowledge Integration Test Register
<a href="#">FTMITTRIGGER</a>	0x00000ED4	4	wo	0x00000000	Trigger Output Integration Test Register
<a href="#">FTMITTRACEDIS</a>	0x00000ED8	1	ro	0x00000000	External Trace Disable Integration Test Register
<a href="#">FTMITCYCCOUNT</a>	0x00000EDC	32	rw	0x00000001	Cycle Counter Test Register
<a href="#">FTMITATBDATA0</a>	0x00000EEC	5	wo	0x00000000	ATB Data Integration Test Register 0

Register Name	Address	Width	Type	Reset Value	Description
<a href="#">FTMITATBCTR2</a>	0x00000EF0	2	ro	0x00000001	ATB Control Integration Test Register 2
<a href="#">FTMITATBCTR1</a>	0x00000EF4	7	rw	0x00000000	ATB Control Integration Test Register 1
<a href="#">FTMITATBCTR0</a>	0x00000EF8	10	wo	0x00000000	ATB Control Integration Test Register 0
<a href="#">FTMITCR</a>	0x00000F00	1	rw	0x00000000	FTM Test Control Register
<a href="#">CLAIMTAGSET</a>	0x00000FA0	8	rw	0x000000FF	Claim Tag Set Register
<a href="#">CLAIMTAGCLR</a>	0x00000FA4	8	rw	0x00000000	Claim Tag Clear Register
<a href="#">LOCK_ACCESS</a>	0x00000FB0	32	wo	0x00000000	Lock Access Register
<a href="#">LOCK_STATUS</a>	0x00000FB4	3	ro	0x00000003	Lock Status Register
<a href="#">FTMAUTHSTATUS</a>	0x00000FB8	8	ro	0x00000088	Authentication Status Register
<a href="#">FTMDEVID</a>	0x00000FC8	1	ro	0x00000000	Device Configuration Register
<a href="#">FTMDEV_TYPE</a>	0x00000FCC	8	ro	0x00000033	Device Type Identification Register
<a href="#">FTMPERIPHID4</a>	0x00000FD0	8	ro	0x00000000	Peripheral ID4
<a href="#">FTMPERIPHID5</a>	0x00000FD4	8	ro	0x00000000	Peripheral ID5
<a href="#">FTMPERIPHID6</a>	0x00000FD8	8	ro	0x00000000	Peripheral ID6
<a href="#">FTMPERIPHID7</a>	0x00000FDC	8	ro	0x00000000	Peripheral ID7
<a href="#">FTMPERIPHID0</a>	0x00000FE0	8	ro	0x00000001	Peripheral ID0
<a href="#">FTMPERIPHID1</a>	0x00000FE4	8	ro	0x00000090	Peripheral ID1
<a href="#">FTMPERIPHID2</a>	0x00000FE8	8	ro	0x0000000C	Peripheral ID2
<a href="#">FTMPERIPHID3</a>	0x00000FEC	8	ro	0x00000000	Peripheral ID3
<a href="#">FTMCOMPONID0</a>	0x00000FF0	8	ro	0x0000000D	Component ID0
<a href="#">FTMCOMPONID1</a>	0x00000FF4	8	ro	0x00000090	Component ID1
<a href="#">FTMCOMPONID2</a>	0x00000FF8	8	ro	0x00000005	Component ID2
<a href="#">FTMCOMPONID3</a>	0x00000FFC	8	ro	0x000000B1	Component ID3

### Register ([ftm](#)) FTMGLBCTRL

Name	FTMGLBCTRL
Relative Address	0x00000000
Absolute Address	0xF880B000
Width	1 bits
Access Type	rw

Reset Value 0x00000000  
 Description FTM Global Control Register

Register FTMGLBCTRL Details

Field Name	Bits	Type	Reset Value	Description
FTMENABLE	0	rw	0x0	Enable FTM

Register ([ftm](#)) FTMSTATUS

Name FTMSTATUS  
 Relative Address 0x00000004  
 Absolute Address 0xF880B004  
 Width 8 bits  
 Access Type ro  
 Reset Value 0x00000082  
 Description FTM Status Register

Register FTMSTATUS Details

Field Name	Bits	Type	Reset Value	Description
IDLE	7	ro	0x1	FTM IDLE Status
SPIDEN	6	ro	0x0	Trustzone SPIDEN signal status
DBGEN	5	ro	0x0	Trustzone DBGEN signal status
SPNIDEN	4	ro	0x0	Trustzone SPNIDEN signal status
NIDEN	3	ro	0x0	Trustzone NIDEN signal status
FIFOFULL	2	ro	0x0	1 = FIFO is full
FIFOEMPTY	1	ro	0x1	1 = FIFO is empty
LOCKED	0	ro	0x0	Always read as zero

Register ([ftm](#)) FTMCONTROL

Name FTMCONTROL  
 Relative Address 0x00000008  
 Absolute Address 0xF880B008  
 Width 3 bits  
 Access Type rw  
 Reset Value 0x00000000

Description FTM Configuration

Register FTMCONTROL Details

Field Name	Bits	Type	Reset Value	Description
CYCEN	2	rw	0x0	Enable Cycle Count packets
TRACEN	1	rw	0x0	Enable Trace packets
PROG	0	rw	0x0	Not used

Register ([ftm](#)) FTMP2FDBG0

Name FTMP2FDBG0  
 Relative Address 0x0000000C  
 Absolute Address 0xF880B00C  
 Width 8 bits  
 Access Type rw  
 Reset Value 0x00000000  
 Description FPGA Debug Register P2F0

Register FTMP2FDBG0 Details

Field Name	Bits	Type	Reset Value	Description
PSS2FPGA	7:0	rw	0x0	Signals presented to the fabric. These signals do not affect the FTM, they are provided for user specific debug. To modify the contents of this register, the SPIDEN pin must be asserted.

Register ([ftm](#)) FTMP2FDBG1

Name FTMP2FDBG1  
 Relative Address 0x00000010  
 Absolute Address 0xF880B010  
 Width 8 bits  
 Access Type rw  
 Reset Value 0x00000000  
 Description FPGA Debug Register P2F1

Register FTMP2FDBG1 Details

Field Name	Bits	Type	Reset Value	Description
PSS2FPGA	7:0	rw	0x0	Signals presented to the fabric. These signals do not affect the FTM, they are provided for user specific debug. To modify the contents of this register, the SPIDEN pin must be asserted.

Register ([ftm](#)) FTMP2FDBG2

Name	FTMP2FDBG2
Relative Address	0x00000014
Absolute Address	0xF880B014
Width	8 bits
Access Type	rw
Reset Value	0x00000000
Description	FPGA Debug Register P2F2

Register FTMP2FDBG2 Details

Field Name	Bits	Type	Reset Value	Description
PSS2FPGA	7:0	rw	0x0	Signals presented to the fabric. These signals do not affect the FTM, they are provided for user specific debug. To modify the contents of this register, the SPIDEN pin must be asserted.

Register ([ftm](#)) FTMP2FDBG3

Name	FTMP2FDBG3
Relative Address	0x00000018
Absolute Address	0xF880B018
Width	8 bits
Access Type	rw
Reset Value	0x00000000
Description	FPGA Debug Register P2F3

Register FTMP2FDBG3 Details

Field Name	Bits	Type	Reset Value	Description
PSS2FPGA	7:0	rw	0x0	Signals presented to the fabric. These signals do not affect the FTM, they are provided for user specific debug. To modify the contents of this register, the SPIDEN pin must be asserted.

Register ([ftm](#)) FTMF2PDBG0

Name	FTMF2PDBG0
Relative Address	0x0000001C
Absolute Address	0xF880B01C
Width	8 bits
Access Type	ro
Reset Value	0x00000000
Description	FPGA Debug Register F2P0

Register FTMF2PDBG0 Details

Field Name	Bits	Type	Reset Value	Description
FPGA2PSS	7:0	ro	0x0	Signals that are presented to the PSS from the Fabric.

Register ([ftm](#)) FTMF2PDBG1

Name	FTMF2PDBG1
Relative Address	0x00000020
Absolute Address	0xF880B020
Width	8 bits
Access Type	ro
Reset Value	0x00000000
Description	FPGA Debug Register F2P1

Register FTMF2PDBG1 Details

Field Name	Bits	Type	Reset Value	Description
FPGA2PSS	7:0	ro	0x0	Signals that are presented to the PSS from the Fabric.

### Register ([ftm](#)) FTMF2PDBG2

Name FTMF2PDBG2  
 Relative Address 0x00000024  
 Absolute Address 0xF880B024  
 Width 8 bits  
 Access Type ro  
 Reset Value 0x00000000  
 Description FPGA Debug Register F2P2

#### Register FTMF2PDBG2 Details

Field Name	Bits	Type	Reset Value	Description
FPGA2PSS	7:0	ro	0x0	Signals that are presented to the PSS from the Fabric.

### Register ([ftm](#)) FTMF2PDBG3

Name FTMF2PDBG3  
 Relative Address 0x00000028  
 Absolute Address 0xF880B028  
 Width 8 bits  
 Access Type ro  
 Reset Value 0x00000000  
 Description FPGA Debug Register F2P3

#### Register FTMF2PDBG3 Details

Field Name	Bits	Type	Reset Value	Description
FPGA2PSS	7:0	ro	0x0	Signals that are presented to the PSS from the Fabric.

### Register ([ftm](#)) CYCOUNTPRE

Name CYCOUNTPRE  
 Relative Address 0x0000002C  
 Absolute Address 0xF880B02C  
 Width 4 bits  
 Access Type rw  
 Reset Value 0x00000000

Description AXI Cycle Count clock pre-scaler

Register CYCOUNTPRE Details

Field Name	Bits	Type	Reset Value	Description
PRESCALE	3:0	rw	0x0	The incoming clock is divided by 2 <sup>PRESCALE</sup> . For example: PRESCALE = 15 indicates that the Cycle Counter runs at the AXI clock divided by 2 <sup>15</sup> = 32,768 (PRESCALE = 0 indicates no clock scaling)

Register ([ftm](#)) FTMSYNCRELOAD

Name FTMSYNCRELOAD  
 Relative Address 0x00000030  
 Absolute Address 0xF880B030  
 Width 12 bits  
 Access Type rw  
 Reset Value 0x00000000  
 Description FTM Synchronization Counter reload value

Register FTMSYNCRELOAD Details

Field Name	Bits	Type	Reset Value	Description
SYNCCOUNTTERM	11:0	rw	0x0	Reset FTM Synchronization packet counter when this number of packets has been transmitted. THIS NUMBER HAS A MINIMUM VALUE of 12.

Register ([ftm](#)) FTMSYNCCOUT

Name FTMSYNCCOUT  
 Relative Address 0x00000034  
 Absolute Address 0xF880B034  
 Width 12 bits  
 Access Type ro  
 Reset Value 0x00000000  
 Description FTM Synchronization Counter value



Register FTMSYNCCOUT Details

Field Name	Bits	Type	Reset Value	Description
SYNCCOUT	11:0	ro	0x0	Current value of the Synchronization packet counter. The initial value is zero. The counter value increments every time a packet is issued by the FTM. When the counter reaches SYNCCOUNTTERM, a Synchronization packet is emitted.

Register ([ftm](#)) FTMATID

Name	FTMATID
Relative Address	0x00000400
Absolute Address	0xF880B400
Width	7 bits
Access Type	rw
Reset Value	0x00000000
Description	FTM ATID Value Register

Register FTMATID Details

Field Name	Bits	Type	Reset Value	Description
ATID	6:0	rw	0x0	ATID value supplied to ATB bus. The upper three bits, ATID[6:4], are directly driven from this register. The lower four bits, ATID[3:0], are OR-ed with the FPGAATID[3:0] pins.

Register ([ftm](#)) FTMITTRIGOUTACK

Name	FTMITTRIGOUTACK
Relative Address	0x00000ED0
Absolute Address	0xF880BED0
Width	4 bits
Access Type	ro
Reset Value	0x00000000
Description	Trigger Output Acknowledge Integration Test Register

Register FTMITTRIGOUTACK Details

Field Name	Bits	Type	Reset Value	Description
TRIGACK	3:0	ro	0x0	Read the current value of the FTMTriGOutAck[3:0] inputs

Register ([ftm](#)) FTMITTRIGGER

Name	FTMITTRIGGER
Relative Address	0x00000ED4
Absolute Address	0xF880BED4
Width	4 bits
Access Type	wo
Reset Value	0x00000000
Description	Trigger Output Integration Test Register

Register FTMITTRIGGER Details

Field Name	Bits	Type	Reset Value	Description
TRIGGER	3:0	wo	0x0	When ITEN is 1, this field determines the FTMTriGOut[3:0]

Register ([ftm](#)) FTMITTRACEDIS

Name	FTMITTRACEDIS
Relative Address	0x00000ED8
Absolute Address	0xF880BED8
Width	1 bits
Access Type	ro
Reset Value	0x00000000
Description	External Trace Disable Integration Test Register

Register FTMITTRACEDIS Details

Field Name	Bits	Type	Reset Value	Description
TRACEDIS	0	ro	0x0	Always read as zero.

Register ([ftm](#)) FTMITCYCCOUNT

Name	FTMITCYCCOUNT
------	---------------

Relative Address 0x0000EDC  
 Absolute Address 0xF880BEDC  
 Width 32 bits  
 Access Type rw  
 Reset Value 0x00000001  
 Description Cycle Counter Test Register

Register FTMITCYCCOUNT Details

Field Name	Bits	Type	Reset Value	Description
FTMCYCCOUNT	31:0	rw	0x1	Read/write the value of the cycle counter

Register ([ftm](#)) FTMITATBDATA0

Name FTMITATBDATA0  
 Relative Address 0x0000EEC  
 Absolute Address 0xF880BEEC  
 Width 5 bits  
 Access Type wo  
 Reset Value 0x00000000  
 Description ATB Data Integration Test Register 0

Register FTMITATBDATA0 Details

Field Name	Bits	Type	Reset Value	Description
ATDATA31	4	wo	0x0	When ITEN is 1, this value determines the ATDATAM[31] output
ATDATA23	3	wo	0x0	When ITEN is 1, this value determines the ATDATAM[23] output
ATDATA15	2	wo	0x0	When ITEN is 1, this value determines the ATDATAM[15] output
ATDATA7	1	wo	0x0	When ITEN is 1, this value determines the ATDATAM[7] output
ATDATA0	0	wo	0x0	When ITEN is 1, this value determines the ATDATAM[0] output

Register ([ftm](#)) FTMITATBCTR2

Name FTMITATBCTR2  
 Relative Address 0x0000EF0

Absolute Address 0xF880BEF0  
 Width 2 bits  
 Access Type ro  
 Reset Value 0x00000001  
 Description ATB Control Integration Test Register 2

Register FTMITATBCTR2 Details

Field Name	Bits	Type	Reset Value	Description
AFVALID	1	ro	0x0	Read the current value of the AFVALIDM input
ATREADY	0	ro	0x1	Read the current value of the ATREADYM input

Register ([ftm](#)) FTMITATBCTR1

Name FTMITATBCTR1  
 Relative Address 0x00000EF4  
 Absolute Address 0xF880BEF4  
 Width 7 bits  
 Access Type rw  
 Reset Value 0x00000000  
 Description ATB Control Integration Test Register 1

Register FTMITATBCTR1 Details

Field Name	Bits	Type	Reset Value	Description
ATID_test	6:0	rw	0x0	When ITEN is 1, this value determines the ATID output

Register ([ftm](#)) FTMITATBCTR0

Name FTMITATBCTR0  
 Relative Address 0x00000EF8  
 Absolute Address 0xF880BEF8  
 Width 10 bits  
 Access Type wo  
 Reset Value 0x00000000  
 Description ATB Control Integration Test Register 0

Register FTMITATBCTR0 Details

Field Name	Bits	Type	Reset Value	Description
ATBYTES	9:8	wo	0x0	When ITEN is 1, this value determines the ATBYTESM[1:0] output
reserved	7:2	wo	0x0	Reserved
AFREADY	1	wo	0x0	When ITEN is 1, this value determines the AFREADY output
ATVALID	0	wo	0x0	When ITEN is 1, this value determines the ATVALID output

Register ([ftm](#)) FTMITCR

Name	FTMITCR
Relative Address	0x0000F00
Absolute Address	0xF880BF00
Width	1 bits
Access Type	rw
Reset Value	0x00000000
Description	FTM Test Control Register

Register FTMITCR Details

Field Name	Bits	Type	Reset Value	Description
ITEN	0	rw	0x0	Integration Test Enable

Register ([ftm](#)) CLAIMTAGSET

Name	CLAIMTAGSET
Relative Address	0x0000FA0
Absolute Address	0xF880BFA0
Width	8 bits
Access Type	rw
Reset Value	0x000000FF
Description	Claim Tag Set Register

Register CLAIMTAGSET Details

Field Name	Bits	Type	Reset Value	Description
CLAIMTAGSETVAL	7:0	rw	0xFF	Read: 1 = Claim tag implemented, 0 = not implemented Write: 1 = Set claim tag bit, 0 = no effect

Register ([ftm](#)) CLAIMTAGCLR

Name	CLAIMTAGCLR
Relative Address	0x0000FA4
Absolute Address	0xF880BFA4
Width	8 bits
Access Type	rw
Reset Value	0x00000000
Description	Claim Tag Clear Register

Register CLAIMTAGCLR Details

Field Name	Bits	Type	Reset Value	Description
CLAIMTAGCLRVAL	7:0	rw	0x0	Read: value of CLAIMTAGSETVAL Write: 1 = Clear claim tag bit, 0 = no effect

Register ([ftm](#)) LOCK\_ACCESS

Name	LOCK_ACCESS
Relative Address	0x0000FB0
Absolute Address	0xF880BFB0
Width	32 bits
Access Type	wo
Reset Value	0x00000000
Description	Lock Access Register

Register LOCK\_ACCESS Details

Field Name	Bits	Type	Reset Value	Description
LOCKACCESS	31:0	wo	0x0	A value of 0xC5ACCE55 allows write access to FTM, any other value blocks write access

### Register ([ftm](#)) LOCK\_STATUS

Name LOCK\_STATUS  
 Relative Address 0x0000FB4  
 Absolute Address 0xF880BFB4  
 Width 3 bits  
 Access Type ro  
 Reset Value 0x00000003  
 Description Lock Status Register

#### Register LOCK\_STATUS Details

Field Name	Bits	Type	Reset Value	Description
8BITACCESS	2	ro	0x0	8-bit lock access is not used
LOCKSTATUS	1	ro	0x1	1:Access Locked, 0:Access OK
LOCKIMP	0	ro	0x1	1:Lock exists if PADDRDBG31 is low, else 0

### Register ([ftm](#)) FTMAUTHSTATUS

Name FTMAUTHSTATUS  
 Relative Address 0x0000FB8  
 Absolute Address 0xF880BFB8  
 Width 8 bits  
 Access Type ro  
 Reset Value 0x00000088  
 Description Authentication Status Register

#### Register FTMAUTHSTATUS Details

Field Name	Bits	Type	Reset Value	Description
AUTH_SPNIDEN	7:6	ro	0x2	Secure Non-Invasive Debug
reserved	5:4	ro	0x0	Secure Invasive Debug
AUTH_NIDEN	3:2	ro	0x2	Non-Secure Non-Invasive Debug
reserved	1:0	ro	0x0	Non-Secure Invasive Debug

### Register ([ftm](#)) FTMDEVID

Name FTMDEVID  
 Relative Address 0x0000FC8

Absolute Address 0xF880BFC8  
 Width 1 bits  
 Access Type ro  
 Reset Value 0x00000000  
 Description Device Configuration Register

Register FTMDEVID Details

Field Name	Bits	Type	Reset Value	Description
reserved	0	ro	0x0	Reserved

Register ([ftm](#)) FTMDEV\_TYPE

Name FTMDEV\_TYPE  
 Relative Address 0x0000FCC  
 Absolute Address 0xF880BFCC  
 Width 8 bits  
 Access Type ro  
 Reset Value 0x00000033  
 Description Device Type Identification Register

Register FTMDEV\_TYPE Details

Field Name	Bits	Type	Reset Value	Description
SubType	7:4	ro	0x3	Sub Type: Associated with a Data Engine or Co-processor
MajorType	3:0	ro	0x3	Major Type: Trace Source

Register ([ftm](#)) FTMPERIPHID4

Name FTMPERIPHID4  
 Relative Address 0x0000FD0  
 Absolute Address 0xF880BFD0  
 Width 8 bits  
 Access Type ro  
 Reset Value 0x00000000  
 Description Peripheral ID4



Register FTMPERIPHID4 Details

Field Name	Bits	Type	Reset Value	Description
4KBCount	7:4	ro	0x0	4KB Count
JEP106	3:0	ro	0x0	JEP106 Continuation Code

Register ([ftm](#)) FTMPERIPHID5

Name	FTMPERIPHID5
Relative Address	0x0000FD4
Absolute Address	0xF880BFD4
Width	8 bits
Access Type	ro
Reset Value	0x00000000
Description	Peripheral ID5

Register FTMPERIPHID5 Details

Field Name	Bits	Type	Reset Value	Description
reserved	7:0	ro	0x0	Reserved

Register ([ftm](#)) FTMPERIPHID6

Name	FTMPERIPHID6
Relative Address	0x0000FD8
Absolute Address	0xF880BFD8
Width	8 bits
Access Type	ro
Reset Value	0x00000000
Description	Peripheral ID6

Register FTMPERIPHID6 Details

Field Name	Bits	Type	Reset Value	Description
reserved	7:0	ro	0x0	Reserved

Register ([ftm](#)) FTMPERIPHID7

Name	FTMPERIPHID7
------	--------------

Relative Address 0x0000FDC  
 Absolute Address 0xF880BFDC  
 Width 8 bits  
 Access Type ro  
 Reset Value 0x00000000  
 Description Peripheral ID7

Register FTMPERIPHID7 Details

Field Name	Bits	Type	Reset Value	Description
reserved	7:0	ro	0x0	Reserved

Register ([ftm](#)) FTMPERIPHID0

Name FTMPERIPHID0  
 Relative Address 0x0000FE0  
 Absolute Address 0xF880BFE0  
 Width 8 bits  
 Access Type ro  
 Reset Value 0x00000001  
 Description Peripheral ID0

Register FTMPERIPHID0 Details

Field Name	Bits	Type	Reset Value	Description
PARTNUMLOWER	7:0	ro	0x1	Part Number Lower

Register ([ftm](#)) FTMPERIPHID1

Name FTMPERIPHID1  
 Relative Address 0x0000FE4  
 Absolute Address 0xF880BFE4  
 Width 8 bits  
 Access Type ro  
 Reset Value 0x00000090  
 Description Peripheral ID1

Register FTMPERIPHID1 Details

Field Name	Bits	Type	Reset Value	Description
JEP106	7:4	ro	0x9	JEP106 identity bits [3:0]
PARTNUMUPPER	3:0	ro	0x0	Part Number Upper [11:8]

Register ([ftm](#)) FTMPERIPHID2

Name	FTMPERIPHID2
Relative Address	0x0000FE8
Absolute Address	0xF880BFE8
Width	8 bits
Access Type	ro
Reset Value	0x0000000C
Description	Peripheral ID2

Register FTMPERIPHID2 Details

Field Name	Bits	Type	Reset Value	Description
REVISION	7:4	ro	0x0	Revision
JEDEC	3	ro	0x1	JEDEC used
JEP106	2:0	ro	0x4	JEP106 Identity [6:4]

Register ([ftm](#)) FTMPERIPHID3

Name	FTMPERIPHID3
Relative Address	0x0000FEC
Absolute Address	0xF880BFEC
Width	8 bits
Access Type	ro
Reset Value	0x00000000
Description	Peripheral ID3

Register FTMPERIPHID3 Details

Field Name	Bits	Type	Reset Value	Description
RevAnd	7:4	ro	0x0	RevAnd
CustMod	3:0	ro	0x0	Customer Modified

### Register ([ftm](#)) FTMCOMPONID0

Name FTMCOMPONID0  
 Relative Address 0x0000FF0  
 Absolute Address 0xF880BFF0  
 Width 8 bits  
 Access Type ro  
 Reset Value 0x000000D  
 Description Component ID0

#### Register FTMCOMPONID0 Details

Field Name	Bits	Type	Reset Value	Description
Preamble	7:0	ro	0xD	Preamble

### Register ([ftm](#)) FTMCOMPONID1

Name FTMCOMPONID1  
 Relative Address 0x0000FF4  
 Absolute Address 0xF880BFF4  
 Width 8 bits  
 Access Type ro  
 Reset Value 0x0000090  
 Description Component ID1

#### Register FTMCOMPONID1 Details

Field Name	Bits	Type	Reset Value	Description
CompClass	7:4	ro	0x9	Component Class :CoreSight Component
Preamble	3:0	ro	0x0	Preamble

### Register ([ftm](#)) FTMCOMPONID2

Name FTMCOMPONID2  
 Relative Address 0x0000FF8  
 Absolute Address 0xF880BFF8  
 Width 8 bits  
 Access Type ro  
 Reset Value 0x0000005

Description Component ID2

Register FTMCOMPONID2 Details

Field Name	Bits	Type	Reset Value	Description
Preamble	7:0	ro	0x5	Preamble

Register ([ftm](#)) FTMCOMPONID3

Name FTMCOMPONID3  
 Relative Address 0x0000FFC  
 Absolute Address 0xF880BFFC  
 Width 8 bits  
 Access Type ro  
 Reset Value 0x00000B1  
 Description Component ID3

Register FTMCOMPONID3 Details

Field Name	Bits	Type	Reset Value	Description
Preamble	7:0	ro	0xB1	Preamble

## B.13 CoreSight Trace Funnel (funnel)

Module Name            CoreSight Trace Funnel (funnel)  
 Base Address           0xF8804000 debug\_funnel  
 Description            CoreSight Trace Funnel  
 Vendor Info

### Register Summary

Register Name	Address	Width	Type	Reset Value	Description
<a href="#">Control</a>	0x00000000	12	rw	0x00000300	CSTF Control Register
<a href="#">PriControl</a>	0x00000004	24	rw	0x00FAC688	CSTF Priority Control Register
<a href="#">ITATBDATA0</a>	0x00000EEC	5	rw	0x00000000	Integration Test ATB Data 0 Register
<a href="#">ITATBCTR2</a>	0x00000EF0	2	rw	0x00000000	Integration Test ATB Control 2 Register
<a href="#">ITATBCTR1</a>	0x00000EF4	7	rw	0x00000000	Integration Test ATB Control 1 Register
<a href="#">ITATBCTR0</a>	0x00000EF8	10	mixed	0x00000000	Integration Test ATB Control 0 Register
<a href="#">IMCR</a>	0x00000F00	1	rw	0x00000000	Integration Mode Control Register
<a href="#">CTSR</a>	0x00000FA0	4	rw	0x0000000F	Claim Tag Set Register
<a href="#">CTCR</a>	0x00000FA4	4	rw	0x00000000	Claim Tag Clear Register
<a href="#">LAR</a>	0x00000FB0	32	wo	0x00000000	Lock Access Register
<a href="#">LSR</a>	0x00000FB4	3	ro	0x00000003	Lock Status Register
<a href="#">ASR</a>	0x00000FB8	8	ro	0x00000000	Authentication Status Register
<a href="#">DEVID</a>	0x00000FC8	8	ro	0x00000028	Device ID
<a href="#">DTIR</a>	0x00000FCC	8	ro	0x00000012	Device Type Identifier Register
<a href="#">PERIPHID4</a>	0x00000FD0	8	ro	0x00000004	Peripheral ID4
<a href="#">PERIPHID5</a>	0x00000FD4	8	ro	0x00000000	Peripheral ID5
<a href="#">PERIPHID6</a>	0x00000FD8	8	ro	0x00000000	Peripheral ID6
<a href="#">PERIPHID7</a>	0x00000FDC	8	ro	0x00000000	Peripheral ID7
<a href="#">PERIPHID0</a>	0x00000FE0	8	ro	0x00000008	Peripheral ID0
<a href="#">PERIPHID1</a>	0x00000FE4	8	ro	0x000000B9	Peripheral ID1
<a href="#">PERIPHID2</a>	0x00000FE8	8	ro	0x0000001B	Peripheral ID2

Register Name	Address	Width	Type	Reset Value	Description
<a href="#">PERIPHID3</a>	0x0000FEC	8	ro	0x0000000	Peripheral ID3
<a href="#">COMPID0</a>	0x0000FF0	8	ro	0x000000D	Component ID0
<a href="#">COMPID1</a>	0x0000FF4	8	ro	0x0000090	Component ID1
<a href="#">COMPID2</a>	0x0000FF8	8	ro	0x0000005	Component ID2
<a href="#">COMPID3</a>	0x0000FFC	8	ro	0x00000B1	Component ID3

### Register ([funnel](#)) Control

Name	Control
Relative Address	0x0000000
Absolute Address	0xF880400
Width	12 bits
Access Type	rw
Reset Value	0x00000300
Description	CSTF Control Register

### Register Control Details

Field Name	Bits	Type	Reset Value	Description
MinHoldTime	11:8	rw	0x3	The formatting scheme can easily become inefficient if fast switching occurs, so, where possible, this must be minimized. If a source has nothing to transmit, then another source is selected irrespective of the minimum number of cycles. Reset is 0x3. The CSTF holds for the minimum hold time and one additional cycle. The mFunnelum value that can be entered is 0xE and this equates to 15 cycles. 0xF is reserved.
EnableSlave7	7	rw	0x0	Setting this bit enables this slave port. If the bit is not set then this has the effect of excluding the port from the priority selection scheme.
EnableSlave6	6	rw	0x0	Setting this bit enables this slave port. If the bit is not set then this has the effect of excluding the port from the priority selection scheme.
EnableSlave5	5	rw	0x0	Setting this bit enables this slave port. If the bit is not set then this has the effect of excluding the port from the priority selection scheme.
EnableSlave4	4	rw	0x0	Setting this bit enables this slave port. If the bit is not set then this has the effect of excluding the port from the priority selection scheme.

Field Name	Bits	Type	Reset Value	Description
EnableSlave3	3	rw	0x0	Setting this bit enables this slave port. If the bit is not set then this has the effect of excluding the port from the priority selection scheme.
EnableSlave2	2	rw	0x0	Setting this bit enables this slave port. If the bit is not set then this has the effect of excluding the port from the priority selection scheme.
EnableSlave1	1	rw	0x0	Setting this bit enables this slave port. If the bit is not set then this has the effect of excluding the port from the priority selection scheme.
EnableSlave0	0	rw	0x0	Setting this bit enables this slave port. If the bit is not set then this has the effect of excluding the port from the priority selection scheme.

### Register ([funnel](#)) PriControl

Name	PriControl
Relative Address	0x00000004
Absolute Address	0xF8804004
Width	24 bits
Access Type	rw
Reset Value	0x00FAC688
Description	CSTF Priority Control Register

#### Register PriControl Details

Field Name	Bits	Type	Reset Value	Description
PriPort7	23:21	rw	0x7	8th port priority value.
PriPort6	20:18	rw	0x6	7th port priority value.
PriPort5	17:15	rw	0x5	6th port priority value.
PriPort4	14:12	rw	0x4	5th port priority value.
PriPort3	11:9	rw	0x3	4th port priority value.
PriPort2	8:6	rw	0x2	3rd port priority value.
PriPort1	5:3	rw	0x1	2nd port priority value.
PriPort0	2:0	rw	0x0	1st port priority value.

### Register ([funnel](#)) ITATBDATA0

Name	ITATBDATA0
Relative Address	0x00000EEC



Absolute Address 0xF8804EEC  
 Width 5 bits  
 Access Type rw  
 Reset Value 0x00000000  
 Description Integration Test ATB Data 0 Register

Register ITATBDATA0 Details

Field Name	Bits	Type	Reset Value	Description
ATDATA31	4	rw	0x0	Read the value of ATDATAS[31], set the value of ATDATAM[31]
ATDATA23	3	rw	0x0	Read the value of ATDATAS[23], set the value of ATDATAM[23]
ATDATA15	2	rw	0x0	Read the value of ATDATAS[15], set the value of ATDATAM[15]
ATDATA7	1	rw	0x0	Read the value of ATDATAS[7], set the value of ATDATAM[7]
ATDATA0	0	rw	0x0	Read the value of ATDATAS[0], set the value of ATDATAM[0]

Register ([funnel](#)) ITATBCTR2

Name ITATBCTR2  
 Relative Address 0x00000EF0  
 Absolute Address 0xF8804EF0  
 Width 2 bits  
 Access Type rw  
 Reset Value 0x00000000  
 Description Integration Test ATB Control 2 Register

Register ITATBCTR2 Details

Field Name	Bits	Type	Reset Value	Description
AFREADY	1	rw	0x0	Read the value of AFVALIDM. Set the value of AFVALIDS<n>, where <n> is defined by the status of the CSTF Control Register.
	0	rw	0x0	Read the value of ATREADYM. Set the value of ATREADYYS<n>, where <n> is defined by the status of the CSTF Control Register.

### Register ([funnel](#)) ITATBCTR1

Name	ITATBCTR1
Relative Address	0x00000EF4
Absolute Address	0xF8804EF4
Width	7 bits
Access Type	rw
Reset Value	0x00000000
Description	Integration Test ATB Control 1 Register

#### Register ITATBCTR1 Details

Field Name	Bits	Type	Reset Value	Description
ATID	6:0	rw	0x0	Read the value of ATIDS. Set the value of ATIDM.

### Register ([funnel](#)) ITATBCTR0

Name	ITATBCTR0
Relative Address	0x00000EF8
Absolute Address	0xF8804EF8
Width	10 bits
Access Type	mixed
Reset Value	0x00000000
Description	Integration Test ATB Control 0 Register

#### Register ITATBCTR0 Details

Field Name	Bits	Type	Reset Value	Description
ATBYTES	9:8	rw	0x0	Read the value of ATBYTESS<n>. Set the value of ATBYTESM.
reserved	7:2	ro	0x0	Reserved
AFREADY	1	rw	0x0	Read the value of AFREADYS<n>. Set the value of AFREADYM.
ATVALID	0	rw	0x0	Read the value of ATVALIDS<n>. Set the value of ATVALIDM.

### Register ([funnel](#)) IMCR

Name	IMCR
Relative Address	0x00000F00

Absolute Address 0xF8804F00  
 Width 1 bits  
 Access Type rw  
 Reset Value 0x00000000  
 Description Integration Mode Control Register

Register IMCR Details

Field Name	Bits	Type	Reset Value	Description
	0	rw	0x0	Enable Integration Test registers.

Register ([funnel](#)) CTSR

Name CTSR  
 Relative Address 0x00000FA0  
 Absolute Address 0xF8804FA0  
 Width 4 bits  
 Access Type rw  
 Reset Value 0x0000000F  
 Description Claim Tag Set Register

Register CTSR Details

Field Name	Bits	Type	Reset Value	Description
	3:0	rw	0xF	The claim tag register is used for any interrogating tools to determine if the device is being programmed or has been programmed. Read: 1= Claim tag is implemented, 0 = Claim tag is not implemented Write: 1= Set claim tag bit, 0= No effect

Register ([funnel](#)) CTCR

Name CTCR  
 Relative Address 0x00000FA4  
 Absolute Address 0xF8804FA4  
 Width 4 bits  
 Access Type rw

Reset Value 0x00000000  
 Description Claim Tag Clear Register

Register CTCR Details

Field Name	Bits	Type	Reset Value	Description
	3:0	rw	0x0	The claim tag register is used for any interrogating tools to determine if the device is being programmed or has been programmed. Read: Current value of claim tag. Write: 1= Clear claim tag bit, 0= No effect

Register ([funnel](#)) LAR

Name LAR  
 Relative Address 0x0000FB0  
 Absolute Address 0xF8804FB0  
 Width 32 bits  
 Access Type wo  
 Reset Value 0x00000000  
 Description Lock Access Register

Register LAR Details

Field Name	Bits	Type	Reset Value	Description
	31:0	wo	0x0	Write Access Code. Write behavior depends on PADDRDBG31 pin: - PADDRDBG31=0 (lower 2GB): After reset (via PRESETDBGn), Funnel is locked, i.e., writes to all other registers using lower 2GB addresses are ignored. To unlock, 0xC5ACCE55 must be written this register. After the required registers are written, to lock again, write a value other than 0xC5ACCE55 to this register. - PADDRDBG31=1 (upper 2GB): Funnel is unlocked when upper 2GB addresses are used to write to all the registers. However, write to this register is ignored using a upper 2GB address! Note: read from this register always returns 0, regardless of PADDRDBG31.

### Register ([funnel](#)) LSR

Name	LSR
Relative Address	0x00000FB4
Absolute Address	0xF8804FB4
Width	3 bits
Access Type	ro
Reset Value	0x00000003
Description	Lock Status Register

#### Register LSR Details

Field Name	Bits	Type	Reset Value	Description
8BIT	2	ro	0x0	Set to 0 since Funnel implements a 32-bit lock access register
STATUS	1	ro	0x1	Read behavior depends on PADDRDBG31 pin: - PADDRDBG31=0 (lower 2GB): When a lower 2GB address is used to read this register, this bit indicates whether Funnel is in locked state (1= locked, 0= unlocked). - PADDRDBG31=1 (upper 2GB): always returns 0.
IMP	0	ro	0x1	Read behavior depends on PADDRDBG31 pin: - PADDRDBG31=0 (lower 2GB): always returns 1, meaning lock mechanism are implemented. - PADDRDBG31=1 (upper 2GB): always returns 0, meaning lock mechanism is NOT implemented.

### Register ([funnel](#)) ASR

Name	ASR
Relative Address	0x00000FB8
Absolute Address	0xF8804FB8
Width	8 bits
Access Type	ro
Reset Value	0x00000000
Description	Authentication Status Register

Register ASR Details

Field Name	Bits	Type	Reset Value	Description
	7:0	ro	0x0	Indicates functionality not implemented

Register ([funnel](#)) DEVID

Name	DEVID
Relative Address	0x00000FC8
Absolute Address	0xF8804FC8
Width	8 bits
Access Type	ro
Reset Value	0x00000028
Description	Device ID

Register DEVID Details

Field Name	Bits	Type	Reset Value	Description
StaticPrio	7:4	ro	0x2	CSTF implements a static priority scheme
NumInPorts	3:0	ro	0x8	Number of input ports

Register ([funnel](#)) DTIR

Name	DTIR
Relative Address	0x00000FCC
Absolute Address	0xF8804FCC
Width	8 bits
Access Type	ro
Reset Value	0x00000012
Description	Device Type Identifier Register

Register DTIR Details

Field Name	Bits	Type	Reset Value	Description
	7:0	ro	0x12	a trace link and specifically a funnel/router

Register ([funnel](#)) PERIPHID4

Name	PERIPHID4
------	-----------

Relative Address 0x0000FD0  
 Absolute Address 0xF8804FD0  
 Width 8 bits  
 Access Type ro  
 Reset Value 0x00000004  
 Description Peripheral ID4

Register PERIPHID4 Details

Field Name	Bits	Type	Reset Value	Description
4KB_count	7:4	ro	0x0	4KB Count, set to 0
JEP106ID	3:0	ro	0x4	JEP106 continuation code

Register ([funnel](#)) PERIPHID5

Name PERIPHID5  
 Relative Address 0x0000FD4  
 Absolute Address 0xF8804FD4  
 Width 8 bits  
 Access Type ro  
 Reset Value 0x00000000  
 Description Peripheral ID5

Register PERIPHID5 Details

Field Name	Bits	Type	Reset Value	Description
	7:0	ro	0x0	reserved

Register ([funnel](#)) PERIPHID6

Name PERIPHID6  
 Relative Address 0x0000FD8  
 Absolute Address 0xF8804FD8  
 Width 8 bits  
 Access Type ro  
 Reset Value 0x00000000  
 Description Peripheral ID6

Register PERIPHID6 Details

Field Name	Bits	Type	Reset Value	Description
	7:0	ro	0x0	reserved

Register ([funnel](#)) PERIPHID7

Name	PERIPHID7
Relative Address	0x0000FDC
Absolute Address	0xF8804FDC
Width	8 bits
Access Type	ro
Reset Value	0x00000000
Description	Peripheral ID7

Register PERIPHID7 Details

Field Name	Bits	Type	Reset Value	Description
	7:0	ro	0x0	reserved

Register ([funnel](#)) PERIPHID0

Name	PERIPHID0
Relative Address	0x0000FE0
Absolute Address	0xF8804FE0
Width	8 bits
Access Type	ro
Reset Value	0x00000008
Description	Peripheral ID0

Register PERIPHID0 Details

Field Name	Bits	Type	Reset Value	Description
	7:0	ro	0x8	PartNumber0

Register ([funnel](#)) PERIPHID1

Name	PERIPHID1
Relative Address	0x0000FE4



Absolute Address 0xF8804FE4  
 Width 8 bits  
 Access Type ro  
 Reset Value 0x000000B9  
 Description Peripheral ID1

Register PERIPHID1 Details

Field Name	Bits	Type	Reset Value	Description
JEP106ID	7:4	ro	0xB	JEP106 Identity Code [3:0]
PartNumber1	3:0	ro	0x9	PartNumber1

Register ([funnel](#)) PERIPHID2

Name PERIPHID2  
 Relative Address 0x00000FE8  
 Absolute Address 0xF8804FE8  
 Width 8 bits  
 Access Type ro  
 Reset Value 0x0000001B  
 Description Peripheral ID2

Register PERIPHID2 Details

Field Name	Bits	Type	Reset Value	Description
RevNum	7:4	ro	0x1	Revision number of Peripheral
JEDEC	3	ro	0x1	Indicates that a JEDEC assigned value is used
JEP106ID	2:0	ro	0x3	JEP106 Identity Code [6:4]

Register ([funnel](#)) PERIPHID3

Name PERIPHID3  
 Relative Address 0x00000FEC  
 Absolute Address 0xF8804FEC  
 Width 8 bits  
 Access Type ro  
 Reset Value 0x00000000  
 Description Peripheral ID3

Register PERIPHID3 Details

Field Name	Bits	Type	Reset Value	Description
RevAnd	7:4	ro	0x0	RevAnd, at top level
CustMod	3:0	ro	0x0	Customer Modified

Register ([funnel](#)) COMPID0

Name	COMPID0
Relative Address	0x0000FF0
Absolute Address	0xF8804FF0
Width	8 bits
Access Type	ro
Reset Value	0x000000D
Description	Component ID0

Register COMPID0 Details

Field Name	Bits	Type	Reset Value	Description
	7:0	ro	0xD	Preamble

Register ([funnel](#)) COMPID1

Name	COMPID1
Relative Address	0x0000FF4
Absolute Address	0xF8804FF4
Width	8 bits
Access Type	ro
Reset Value	0x00000090
Description	Component ID1

Register COMPID1 Details

Field Name	Bits	Type	Reset Value	Description
	7:0	ro	0x90	Preamble

Register ([funnel](#)) COMPID2

Name	COMPID2
------	---------

Relative Address 0x0000FF8  
 Absolute Address 0xF8804FF8  
 Width 8 bits  
 Access Type ro  
 Reset Value 0x0000005  
 Description Component ID2

Register COMPID2 Details

Field Name	Bits	Type	Reset Value	Description
	7:0	ro	0x5	Preamble

Register ([funnel](#)) COMPID3

Name COMPID3  
 Relative Address 0x0000FFC  
 Absolute Address 0xF8804FFC  
 Width 8 bits  
 Access Type ro  
 Reset Value 0x00000B1  
 Description Component ID3

Register COMPID3 Details

Field Name	Bits	Type	Reset Value	Description
	7:0	ro	0xB1	Preamble

## B.14 CoreSight Intstrumentation Trace Macrocell (itm)

Module Name	CoreSight Intstrumentation Trace Macrocell (itm)
Base Address	0xF8805000 debug_itm
Description	Instrumentation Trace Macrocell
Vendor Info	

### Register Summary

Register Name	Address	Width	Type	Reset Value	Description
<a href="#">StimPort00</a>	0x00000000	32	rw	0x00000000	Stimulus Port Register 0
<a href="#">StimPort01</a>	0x00000004	32	rw	0x00000000	Stimulus Port Register 1
<a href="#">StimPort02</a>	0x00000008	32	rw	0x00000000	Stimulus Port Register 2
<a href="#">StimPort03</a>	0x0000000C	32	rw	0x00000000	Stimulus Port Register 3
<a href="#">StimPort04</a>	0x00000010	32	rw	0x00000000	Stimulus Port Register 4
<a href="#">StimPort05</a>	0x00000014	32	rw	0x00000000	Stimulus Port Register 5
<a href="#">StimPort06</a>	0x00000018	32	rw	0x00000000	Stimulus Port Register 6
<a href="#">StimPort07</a>	0x0000001C	32	rw	0x00000000	Stimulus Port Register 7
<a href="#">StimPort08</a>	0x00000020	32	rw	0x00000000	Stimulus Port Register 8
<a href="#">StimPort09</a>	0x00000024	32	rw	0x00000000	Stimulus Port Register 9
<a href="#">StimPort10</a>	0x00000028	32	rw	0x00000000	Stimulus Port Register 10
<a href="#">StimPort11</a>	0x0000002C	32	rw	0x00000000	Stimulus Port Register 11
<a href="#">StimPort12</a>	0x00000030	32	rw	0x00000000	Stimulus Port Register 12
<a href="#">StimPort13</a>	0x00000034	32	rw	0x00000000	Stimulus Port Register 13
<a href="#">StimPort14</a>	0x00000038	32	rw	0x00000000	Stimulus Port Register 14
<a href="#">StimPort15</a>	0x0000003C	32	rw	0x00000000	Stimulus Port Register 15
<a href="#">StimPort16</a>	0x00000040	32	rw	0x00000000	Stimulus Port Register 16
<a href="#">StimPort17</a>	0x00000044	32	rw	0x00000000	Stimulus Port Register 17
<a href="#">StimPort18</a>	0x00000048	32	rw	0x00000000	Stimulus Port Register 18
<a href="#">StimPort19</a>	0x0000004C	32	rw	0x00000000	Stimulus Port Register 19
<a href="#">StimPort20</a>	0x00000050	32	rw	0x00000000	Stimulus Port Register 20
<a href="#">StimPort21</a>	0x00000054	32	rw	0x00000000	Stimulus Port Register 21
<a href="#">StimPort22</a>	0x00000058	32	rw	0x00000000	Stimulus Port Register 22

Register Name	Address	Width	Type	Reset Value	Description
<a href="#">StimPort23</a>	0x0000005C	32	rw	0x00000000	Stimulus Port Register 23
<a href="#">StimPort24</a>	0x00000060	32	rw	0x00000000	Stimulus Port Register 24
<a href="#">StimPort25</a>	0x00000064	32	rw	0x00000000	Stimulus Port Register 25
<a href="#">StimPort26</a>	0x00000068	32	rw	0x00000000	Stimulus Port Register 26
<a href="#">StimPort27</a>	0x0000006C	32	rw	0x00000000	Stimulus Port Register 27
<a href="#">StimPort28</a>	0x00000070	32	rw	0x00000000	Stimulus Port Register 28
<a href="#">StimPort29</a>	0x00000074	32	rw	0x00000000	Stimulus Port Register 29
<a href="#">StimPort30</a>	0x00000078	32	rw	0x00000000	Stimulus Port Register 30
<a href="#">StimPort31</a>	0x0000007C	32	rw	0x00000000	Stimulus Port Register 31
<a href="#">TER</a>	0x00000E00	32	rw	0x00000000	Trace Enable Register
<a href="#">TTR</a>	0x00000E20	32	rw	0x00000000	Trace Trigger Register
<a href="#">CR</a>	0x00000E80	24	mixed	0x00000004	Control Register
<a href="#">SCR</a>	0x00000E90	12	rw	0x00000400	Synchronization Control Register
<a href="#">ITTRIGOUTACK</a>	0x00000EE4	1	ro	0x00000000	Integration Test Trigger Out Acknowledge Register
<a href="#">ITTRIGOUT</a>	0x00000EE8	1	wo	0x00000000	Integration Test Trigger Out Register
<a href="#">ITATBDATA0</a>	0x00000EEC	2	wo	0x00000000	Integration Test ATB Data Register 0
<a href="#">ITATBCTR2</a>	0x00000EF0	1	ro	0x00000001	Integration Test ATB Control Register 2
<a href="#">ITATABCTR1</a>	0x00000EF4	7	wo	0x00000000	Integration Test ATB Control Register 1
<a href="#">ITATBCTR0</a>	0x00000EF8	2	wo	0x00000000	Integration Test ATB Control Register 0
<a href="#">IMCR</a>	0x00000F00	1	rw	0x00000000	Integration Mode Control Register
<a href="#">CTSR</a>	0x00000FA0	8	rw	0x000000FF	Claim Tag Set Register
<a href="#">CTCR</a>	0x00000FA4	8	rw	0x00000000	Claim Tag Clear Register
<a href="#">LAR</a>	0x00000FB0	32	wo	0x00000000	Lock Access Register
<a href="#">LSR</a>	0x00000FB4	3	ro	0x00000003	Lock Status Register
<a href="#">ASR</a>	0x00000FB8	8	ro	0x00000088	Authentication Status Register
<a href="#">DEVID</a>	0x00000FC8	13	ro	0x00000020	Device ID
<a href="#">DTIR</a>	0x00000FCC	8	ro	0x00000043	Device Type Identifier Register
<a href="#">PERIPHID4</a>	0x00000FD0	8	ro	0x00000004	Peripheral ID4
<a href="#">PERIPHID5</a>	0x00000FD4	8	ro	0x00000000	Peripheral ID5

Register Name	Address	Width	Type	Reset Value	Description
<a href="#">PERIPID6</a>	0x0000FD8	8	ro	0x00000000	Peripheral ID6
<a href="#">PERIPID7</a>	0x0000FDC	8	ro	0x00000000	Peripheral ID7
<a href="#">PERIPID0</a>	0x0000FE0	8	ro	0x00000013	Peripheral ID0
<a href="#">PERIPID1</a>	0x0000FE4	8	ro	0x000000B9	Peripheral ID1
<a href="#">PERIPID2</a>	0x0000FE8	8	ro	0x0000002B	Peripheral ID2
<a href="#">PERIPID3</a>	0x0000FEC	8	ro	0x00000000	Peripheral ID3
<a href="#">COMPID0</a>	0x0000FF0	8	ro	0x0000000D	Component ID0
<a href="#">COMPID1</a>	0x0000FF4	8	ro	0x00000090	Component ID1
<a href="#">COMPID2</a>	0x0000FF8	8	ro	0x00000005	Component ID2
<a href="#">COMPID3</a>	0x0000FFC	8	ro	0x000000B1	Component ID3

### Register ([itm](#)) StimPort00

Name	StimPort00
Relative Address	0x00000000
Absolute Address	0xF8805000
Width	32 bits
Access Type	rw
Reset Value	0x00000000
Description	Stimulus Port Register 0

Register StimPort00 Details

Field Name	Bits	Type	Reset Value	Description
	31:0	rw	0x0	<p>Each of the 32 stimulus ports is represented by a virtual address, creating 32 stimulus registers. A write to one of these locations causes data to be written into the FIFO if the corresponding bit in the Trace Enable Register is set and ITM is enabled. Reading from any of the stimulus ports returns the FIFO status (notFull(1) / Full(0)) only if the ITM is enabled. This enables more efficient core register allocation because the stimulus address has already been generated.</p> <p>The ITM transmits SWIT packets using leading zero compression. Packets can be 8, 16, or 32 bits.</p> <p>The bank of 32 registers is split into a low-16 (0 to 15) and a high-16 (16 to 31). Writes to the high-16 are discarded by the ITM whenever secure non-invasive trace is disabled, regardless of how the Trace Enable Register bits [31:16] are set. Both the high-16 and</p> <p>low-16 are be disabled when non-invasive trace is disabled. When an input is disabled it must not alter the interface response and must always return an OK without stalling.</p>

Register ([itm](#)) StimPort01

Name	StimPort01
Relative Address	0x00000004
Absolute Address	0xF8805004
Width	32 bits
Access Type	rw
Reset Value	0x00000000
Description	Stimulus Port Register 1

Register StimPort01 Details

Field Name	Bits	Type	Reset Value	Description
	31:0	rw	0x0	<p>Each of the 32 stimulus ports is represented by a virtual address, creating 32 stimulus registers. A write to one of these locations causes data to be written into the FIFO if the corresponding bit in the Trace Enable Register is set and ITM is enabled. Reading from any of the stimulus ports returns the FIFO status (notFull(1) / Full(0)) only if the ITM is enabled. This enables more efficient core register allocation because the stimulus address has already been generated.</p> <p>The ITM transmits SWIT packets using leading zero compression. Packets can be 8, 16, or 32 bits.</p> <p>The bank of 32 registers is split into a low-16 (0 to 15) and a high-16 (16 to 31). Writes to the high-16 are discarded by the ITM whenever secure non-invasive trace is disabled, regardless of how the Trace Enable Register bits [31:16] are set. Both the high-16 and</p> <p>low-16 are be disabled when non-invasive trace is disabled. When an input is disabled it must not alter the interface response and must always return an OK without stalling.</p>

Register ([itm](#)) StimPort02

Name	StimPort02
Relative Address	0x00000008
Absolute Address	0xF8805008
Width	32 bits
Access Type	rw
Reset Value	0x00000000
Description	Stimulus Port Register 2



Register StimPort02 Details

Field Name	Bits	Type	Reset Value	Description
	31:0	rw	0x0	<p>Each of the 32 stimulus ports is represented by a virtual address, creating 32 stimulus registers. A write to one of these locations causes data to be written into the FIFO if the corresponding bit in the Trace Enable Register is set and ITM is enabled. Reading from any of the stimulus ports returns the FIFO status (notFull(1) / Full(0)) only if the ITM is enabled. This enables more efficient core register allocation because the stimulus address has already been generated.</p> <p>The ITM transmits SWIT packets using leading zero compression. Packets can be 8, 16, or 32 bits.</p> <p>The bank of 32 registers is split into a low-16 (0 to 15) and a high-16 (16 to 31). Writes to the high-16 are discarded by the ITM whenever secure non-invasive trace is disabled, regardless of how the Trace Enable Register bits [31:16] are set. Both the high-16 and</p> <p>low-16 are be disabled when non-invasive trace is disabled. When an input is disabled it must not alter the interface response and must always return an OK without stalling.</p>

Register ([itm](#)) StimPort03

Name	StimPort03
Relative Address	0x0000000C
Absolute Address	0xF880500C
Width	32 bits
Access Type	rw
Reset Value	0x00000000
Description	Stimulus Port Register 3

Register StimPort03 Details

Field Name	Bits	Type	Reset Value	Description
	31:0	rw	0x0	<p>Each of the 32 stimulus ports is represented by a virtual address, creating 32 stimulus registers. A write to one of these locations causes data to be written into the FIFO if the corresponding bit in the Trace Enable Register is set and ITM is enabled. Reading from any of the stimulus ports returns the FIFO status (notFull(1) / Full(0)) only if the ITM is enabled. This enables more efficient core register allocation because the stimulus address has already been generated.</p> <p>The ITM transmits SWIT packets using leading zero compression. Packets can be 8, 16, or 32 bits.</p> <p>The bank of 32 registers is split into a low-16 (0 to 15) and a high-16 (16 to 31). Writes to the high-16 are discarded by the ITM whenever secure non-invasive trace is disabled, regardless of how the Trace Enable Register bits [31:16] are set. Both the high-16 and</p> <p>low-16 are be disabled when non-invasive trace is disabled. When an input is disabled it must not alter the interface response and must always return an OK without stalling.</p>

Register ([itm](#)) StimPort04

Name	StimPort04
Relative Address	0x00000010
Absolute Address	0xF8805010
Width	32 bits
Access Type	rw
Reset Value	0x00000000
Description	Stimulus Port Register 4

Register StimPort04 Details

Field Name	Bits	Type	Reset Value	Description
	31:0	rw	0x0	<p>Each of the 32 stimulus ports is represented by a virtual address, creating 32 stimulus registers. A write to one of these locations causes data to be written into the FIFO if the corresponding bit in the Trace Enable Register is set and ITM is enabled. Reading from any of the stimulus ports returns the FIFO status (notFull(1) / Full(0)) only if the ITM is enabled. This enables more efficient core register allocation because the stimulus address has already been generated.</p> <p>The ITM transmits SWIT packets using leading zero compression. Packets can be 8, 16, or 32 bits.</p> <p>The bank of 32 registers is split into a low-16 (0 to 15) and a high-16 (16 to 31). Writes to the high-16 are discarded by the ITM whenever secure non-invasive trace is disabled, regardless of how the Trace Enable Register bits [31:16] are set. Both the high-16 and low-16 are disabled when non-invasive trace is disabled. When an input is disabled it must not alter the interface response and must always return an OK without stalling.</p>

Register ([itm](#)) StimPort05

Name	StimPort05
Relative Address	0x00000014
Absolute Address	0xF8805014
Width	32 bits
Access Type	rw
Reset Value	0x00000000
Description	Stimulus Port Register 5

Register StimPort05 Details

Field Name	Bits	Type	Reset Value	Description
	31:0	rw	0x0	<p>Each of the 32 stimulus ports is represented by a virtual address, creating 32 stimulus registers. A write to one of these locations causes data to be written into the FIFO if the corresponding bit in the Trace Enable Register is set and ITM is enabled. Reading from any of the stimulus ports returns the FIFO status (notFull(1) / Full(0)) only if the ITM is enabled. This enables more efficient core register allocation because the stimulus address has already been generated.</p> <p>The ITM transmits SWIT packets using leading zero compression. Packets can be 8, 16, or 32 bits.</p> <p>The bank of 32 registers is split into a low-16 (0 to 15) and a high-16 (16 to 31). Writes to the high-16 are discarded by the ITM whenever secure non-invasive trace is disabled, regardless of how the Trace Enable Register bits [31:16] are set. Both the high-16 and</p> <p>low-16 are be disabled when non-invasive trace is disabled. When an input is disabled it must not alter the interface response and must always return an OK without stalling.</p>

Register ([itm](#)) StimPort06

Name	StimPort06
Relative Address	0x00000018
Absolute Address	0xF8805018
Width	32 bits
Access Type	rw
Reset Value	0x00000000
Description	Stimulus Port Register 6

Register StimPort06 Details

Field Name	Bits	Type	Reset Value	Description
	31:0	rw	0x0	<p>Each of the 32 stimulus ports is represented by a virtual address, creating 32 stimulus registers. A write to one of these locations causes data to be written into the FIFO if the corresponding bit in the Trace Enable Register is set and ITM is enabled. Reading from any of the stimulus ports returns the FIFO status (notFull(1) / Full(0)) only if the ITM is enabled. This enables more efficient core register allocation because the stimulus address has already been generated.</p> <p>The ITM transmits SWIT packets using leading zero compression. Packets can be 8, 16, or 32 bits.</p> <p>The bank of 32 registers is split into a low-16 (0 to 15) and a high-16 (16 to 31). Writes to the high-16 are discarded by the ITM whenever secure non-invasive trace is disabled, regardless of how the Trace Enable Register bits [31:16] are set. Both the high-16 and low-16 are disabled when non-invasive trace is disabled. When an input is disabled it must not alter the interface response and must always return an OK without stalling.</p>

Register ([itm](#)) StimPort07

Name	StimPort07
Relative Address	0x0000001C
Absolute Address	0xF880501C
Width	32 bits
Access Type	rw
Reset Value	0x00000000
Description	Stimulus Port Register 7

Register StimPort07 Details

Field Name	Bits	Type	Reset Value	Description
	31:0	rw	0x0	<p>Each of the 32 stimulus ports is represented by a virtual address, creating 32 stimulus registers. A write to one of these locations causes data to be written into the FIFO if the corresponding bit in the Trace Enable Register is set and ITM is enabled. Reading from any of the stimulus ports returns the FIFO status (notFull(1) / Full(0)) only if the ITM is enabled. This enables more efficient core register allocation because the stimulus address has already been generated.</p> <p>The ITM transmits SWIT packets using leading zero compression. Packets can be 8, 16, or 32 bits.</p> <p>The bank of 32 registers is split into a low-16 (0 to 15) and a high-16 (16 to 31). Writes to the high-16 are discarded by the ITM whenever secure non-invasive trace is disabled, regardless of how the Trace Enable Register bits [31:16] are set. Both the high-16 and</p> <p>low-16 are be disabled when non-invasive trace is disabled. When an input is disabled it must not alter the interface response and must always return an OK without stalling.</p>

Register ([itm](#)) StimPort08

Name	StimPort08
Relative Address	0x00000020
Absolute Address	0xF8805020
Width	32 bits
Access Type	rw
Reset Value	0x00000000
Description	Stimulus Port Register 8

Register StimPort08 Details

Field Name	Bits	Type	Reset Value	Description
	31:0	rw	0x0	<p>Each of the 32 stimulus ports is represented by a virtual address, creating 32 stimulus registers. A write to one of these locations causes data to be written into the FIFO if the corresponding bit in the Trace Enable Register is set and ITM is enabled. Reading from any of the stimulus ports returns the FIFO status (notFull(1) / Full(0)) only if the ITM is enabled. This enables more efficient core register allocation because the stimulus address has already been generated.</p> <p>The ITM transmits SWIT packets using leading zero compression. Packets can be 8, 16, or 32 bits.</p> <p>The bank of 32 registers is split into a low-16 (0 to 15) and a high-16 (16 to 31). Writes to the high-16 are discarded by the ITM whenever secure non-invasive trace is disabled, regardless of how the Trace Enable Register bits [31:16] are set. Both the high-16 and</p> <p>low-16 are be disabled when non-invasive trace is disabled. When an input is disabled it must not alter the interface response and must always return an OK without stalling.</p>

Register ([itm](#)) StimPort09

Name	StimPort09
Relative Address	0x00000024
Absolute Address	0xF8805024
Width	32 bits
Access Type	rw
Reset Value	0x00000000
Description	Stimulus Port Register 9

Register StimPort09 Details

Field Name	Bits	Type	Reset Value	Description
	31:0	rw	0x0	<p>Each of the 32 stimulus ports is represented by a virtual address, creating 32 stimulus registers. A write to one of these locations causes data to be written into the FIFO if the corresponding bit in the Trace Enable Register is set and ITM is enabled. Reading from any of the stimulus ports returns the FIFO status (notFull(1) / Full(0)) only if the ITM is enabled. This enables more efficient core register allocation because the stimulus address has already been generated.</p> <p>The ITM transmits SWIT packets using leading zero compression. Packets can be 8, 16, or 32 bits.</p> <p>The bank of 32 registers is split into a low-16 (0 to 15) and a high-16 (16 to 31). Writes to the high-16 are discarded by the ITM whenever secure non-invasive trace is disabled, regardless of how the Trace Enable Register bits [31:16] are set. Both the high-16 and</p> <p>low-16 are be disabled when non-invasive trace is disabled. When an input is disabled it must not alter the interface response and must always return an OK without stalling.</p>

Register ([itm](#)) StimPort10

Name	StimPort10
Relative Address	0x00000028
Absolute Address	0xF8805028
Width	32 bits
Access Type	rw
Reset Value	0x00000000
Description	Stimulus Port Register 10



Register StimPort10 Details

Field Name	Bits	Type	Reset Value	Description
	31:0	rw	0x0	<p>Each of the 32 stimulus ports is represented by a virtual address, creating 32 stimulus registers. A write to one of these locations causes data to be written into the FIFO if the corresponding bit in the Trace Enable Register is set and ITM is enabled. Reading from any of the stimulus ports returns the FIFO status (notFull(1) / Full(0)) only if the ITM is enabled. This enables more efficient core register allocation because the stimulus address has already been generated.</p> <p>The ITM transmits SWIT packets using leading zero compression. Packets can be 8, 16, or 32 bits.</p> <p>The bank of 32 registers is split into a low-16 (0 to 15) and a high-16 (16 to 31). Writes to the high-16 are discarded by the ITM whenever secure non-invasive trace is disabled, regardless of how the Trace Enable Register bits [31:16] are set. Both the high-16 and</p> <p>low-16 are be disabled when non-invasive trace is disabled. When an input is disabled it must not alter the interface response and must always return an OK without stalling.</p>

Register ([itm](#)) StimPort11

Name	StimPort11
Relative Address	0x0000002C
Absolute Address	0xF880502C
Width	32 bits
Access Type	rw
Reset Value	0x00000000
Description	Stimulus Port Register 11

Register StimPort11 Details

Field Name	Bits	Type	Reset Value	Description
	31:0	rw	0x0	<p>Each of the 32 stimulus ports is represented by a virtual address, creating 32 stimulus registers. A write to one of these locations causes data to be written into the FIFO if the corresponding bit in the Trace Enable Register is set and ITM is enabled. Reading from any of the stimulus ports returns the FIFO status (notFull(1) / Full(0)) only if the ITM is enabled. This enables more efficient core register allocation because the stimulus address has already been generated.</p> <p>The ITM transmits SWIT packets using leading zero compression. Packets can be 8, 16, or 32 bits.</p> <p>The bank of 32 registers is split into a low-16 (0 to 15) and a high-16 (16 to 31). Writes to the high-16 are discarded by the ITM whenever secure non-invasive trace is disabled, regardless of how the Trace Enable Register bits [31:16] are set. Both the high-16 and</p> <p>low-16 are be disabled when non-invasive trace is disabled. When an input is disabled it must not alter the interface response and must always return an OK without stalling.</p>

Register ([itm](#)) StimPort12

Name	StimPort12
Relative Address	0x00000030
Absolute Address	0xF8805030
Width	32 bits
Access Type	rw
Reset Value	0x00000000
Description	Stimulus Port Register 12

Register StimPort12 Details

Field Name	Bits	Type	Reset Value	Description
	31:0	rw	0x0	<p>Each of the 32 stimulus ports is represented by a virtual address, creating 32 stimulus registers. A write to one of these locations causes data to be written into the FIFO if the corresponding bit in the Trace Enable Register is set and ITM is enabled. Reading from any of the stimulus ports returns the FIFO status (notFull(1) / Full(0)) only if the ITM is enabled. This enables more efficient core register allocation because the stimulus address has already been generated.</p> <p>The ITM transmits SWIT packets using leading zero compression. Packets can be 8, 16, or 32 bits.</p> <p>The bank of 32 registers is split into a low-16 (0 to 15) and a high-16 (16 to 31). Writes to the high-16 are discarded by the ITM whenever secure non-invasive trace is disabled, regardless of how the Trace Enable Register bits [31:16] are set. Both the high-16 and</p> <p>low-16 are be disabled when non-invasive trace is disabled. When an input is disabled it must not alter the interface response and must always return an OK without stalling.</p>

Register ([itm](#)) StimPort13

Name	StimPort13
Relative Address	0x00000034
Absolute Address	0xF8805034
Width	32 bits
Access Type	rw
Reset Value	0x00000000
Description	Stimulus Port Register 13

Register StimPort13 Details

Field Name	Bits	Type	Reset Value	Description
	31:0	rw	0x0	<p>Each of the 32 stimulus ports is represented by a virtual address, creating 32 stimulus registers. A write to one of these locations causes data to be written into the FIFO if the corresponding bit in the Trace Enable Register is set and ITM is enabled. Reading from any of the stimulus ports returns the FIFO status (notFull(1) / Full(0)) only if the ITM is enabled. This enables more efficient core register allocation because the stimulus address has already been generated.</p> <p>The ITM transmits SWIT packets using leading zero compression. Packets can be 8, 16, or 32 bits.</p> <p>The bank of 32 registers is split into a low-16 (0 to 15) and a high-16 (16 to 31). Writes to the high-16 are discarded by the ITM whenever secure non-invasive trace is disabled, regardless of how the Trace Enable Register bits [31:16] are set. Both the high-16 and</p> <p>low-16 are be disabled when non-invasive trace is disabled. When an input is disabled it must not alter the interface response and must always return an OK without stalling.</p>

Register ([itm](#)) StimPort14

Name	StimPort14
Relative Address	0x00000038
Absolute Address	0xF8805038
Width	32 bits
Access Type	rw
Reset Value	0x00000000
Description	Stimulus Port Register 14

Register StimPort14 Details

Field Name	Bits	Type	Reset Value	Description
	31:0	rw	0x0	<p>Each of the 32 stimulus ports is represented by a virtual address, creating 32 stimulus registers. A write to one of these locations causes data to be written into the FIFO if the corresponding bit in the Trace Enable Register is set and ITM is enabled. Reading from any of the stimulus ports returns the FIFO status (notFull(1) / Full(0)) only if the ITM is enabled. This enables more efficient core register allocation because the stimulus address has already been generated.</p> <p>The ITM transmits SWIT packets using leading zero compression. Packets can be 8, 16, or 32 bits.</p> <p>The bank of 32 registers is split into a low-16 (0 to 15) and a high-16 (16 to 31). Writes to the high-16 are discarded by the ITM whenever secure non-invasive trace is disabled, regardless of how the Trace Enable Register bits [31:16] are set. Both the high-16 and</p> <p>low-16 are be disabled when non-invasive trace is disabled. When an input is disabled it must not alter the interface response and must always return an OK without stalling.</p>

Register ([itm](#)) StimPort15

Name	StimPort15
Relative Address	0x0000003C
Absolute Address	0xF880503C
Width	32 bits
Access Type	rw
Reset Value	0x00000000
Description	Stimulus Port Register 15

Register StimPort15 Details

Field Name	Bits	Type	Reset Value	Description
	31:0	rw	0x0	<p>Each of the 32 stimulus ports is represented by a virtual address, creating 32 stimulus registers. A write to one of these locations causes data to be written into the FIFO if the corresponding bit in the Trace Enable Register is set and ITM is enabled. Reading from any of the stimulus ports returns the FIFO status (notFull(1) / Full(0)) only if the ITM is enabled. This enables more efficient core register allocation because the stimulus address has already been generated.</p> <p>The ITM transmits SWIT packets using leading zero compression. Packets can be 8, 16, or 32 bits.</p> <p>The bank of 32 registers is split into a low-16 (0 to 15) and a high-16 (16 to 31). Writes to the high-16 are discarded by the ITM whenever secure non-invasive trace is disabled, regardless of how the Trace Enable Register bits [31:16] are set. Both the high-16 and low-16 are disabled when non-invasive trace is disabled. When an input is disabled it must not alter the interface response and must always return an OK without stalling.</p>

Register ([itm](#)) StimPort16

Name	StimPort16
Relative Address	0x00000040
Absolute Address	0xF8805040
Width	32 bits
Access Type	rw
Reset Value	0x00000000
Description	Stimulus Port Register 16

Register StimPort16 Details

Field Name	Bits	Type	Reset Value	Description
	31:0	rw	0x0	<p>Each of the 32 stimulus ports is represented by a virtual address, creating 32 stimulus registers. A write to one of these locations causes data to be written into the FIFO if the corresponding bit in the Trace Enable Register is set and ITM is enabled. Reading from any of the stimulus ports returns the FIFO status (notFull(1) / Full(0)) only if the ITM is enabled. This enables more efficient core register allocation because the stimulus address has already been generated.</p> <p>The ITM transmits SWIT packets using leading zero compression. Packets can be 8, 16, or 32 bits.</p> <p>The bank of 32 registers is split into a low-16 (0 to 15) and a high-16 (16 to 31). Writes to the high-16 are discarded by the ITM whenever secure non-invasive trace is disabled, regardless of how the Trace Enable Register bits [31:16] are set. Both the high-16 and</p> <p>low-16 are be disabled when non-invasive trace is disabled. When an input is disabled it must not alter the interface response and must always return an OK without stalling.</p>

Register ([itm](#)) StimPort17

Name	StimPort17
Relative Address	0x00000044
Absolute Address	0xF8805044
Width	32 bits
Access Type	rw
Reset Value	0x00000000
Description	Stimulus Port Register 17

Register StimPort17 Details

Field Name	Bits	Type	Reset Value	Description
	31:0	rw	0x0	<p>Each of the 32 stimulus ports is represented by a virtual address, creating 32 stimulus registers. A write to one of these locations causes data to be written into the FIFO if the corresponding bit in the Trace Enable Register is set and ITM is enabled. Reading from any of the stimulus ports returns the FIFO status (notFull(1) / Full(0)) only if the ITM is enabled. This enables more efficient core register allocation because the stimulus address has already been generated.</p> <p>The ITM transmits SWIT packets using leading zero compression. Packets can be 8, 16, or 32 bits.</p> <p>The bank of 32 registers is split into a low-16 (0 to 15) and a high-16 (16 to 31). Writes to the high-16 are discarded by the ITM whenever secure non-invasive trace is disabled, regardless of how the Trace Enable Register bits [31:16] are set. Both the high-16 and</p> <p>low-16 are be disabled when non-invasive trace is disabled. When an input is disabled it must not alter the interface response and must always return an OK without stalling.</p>

Register ([itm](#)) StimPort18

Name	StimPort18
Relative Address	0x00000048
Absolute Address	0xF8805048
Width	32 bits
Access Type	rw
Reset Value	0x00000000
Description	Stimulus Port Register 18



Register StimPort18 Details

Field Name	Bits	Type	Reset Value	Description
	31:0	rw	0x0	<p>Each of the 32 stimulus ports is represented by a virtual address, creating 32 stimulus registers. A write to one of these locations causes data to be written into the FIFO if the corresponding bit in the Trace Enable Register is set and ITM is enabled. Reading from any of the stimulus ports returns the FIFO status (notFull(1) / Full(0)) only if the ITM is enabled. This enables more efficient core register allocation because the stimulus address has already been generated.</p> <p>The ITM transmits SWIT packets using leading zero compression. Packets can be 8, 16, or 32 bits.</p> <p>The bank of 32 registers is split into a low-16 (0 to 15) and a high-16 (16 to 31). Writes to the high-16 are discarded by the ITM whenever secure non-invasive trace is disabled, regardless of how the Trace Enable Register bits [31:16] are set. Both the high-16 and low-16 are disabled when non-invasive trace is disabled. When an input is disabled it must not alter the interface response and must always return an OK without stalling.</p>

Register ([itm](#)) StimPort19

Name	StimPort19
Relative Address	0x0000004C
Absolute Address	0xF880504C
Width	32 bits
Access Type	rw
Reset Value	0x00000000
Description	Stimulus Port Register 19

Register StimPort19 Details

Field Name	Bits	Type	Reset Value	Description
	31:0	rw	0x0	<p>Each of the 32 stimulus ports is represented by a virtual address, creating 32 stimulus registers. A write to one of these locations causes data to be written into the FIFO if the corresponding bit in the Trace Enable Register is set and ITM is enabled. Reading from any of the stimulus ports returns the FIFO status (notFull(1) / Full(0)) only if the ITM is enabled. This enables more efficient core register allocation because the stimulus address has already been generated.</p> <p>The ITM transmits SWIT packets using leading zero compression. Packets can be 8, 16, or 32 bits.</p> <p>The bank of 32 registers is split into a low-16 (0 to 15) and a high-16 (16 to 31). Writes to the high-16 are discarded by the ITM whenever secure non-invasive trace is disabled, regardless of how the Trace Enable Register bits [31:16] are set. Both the high-16 and</p> <p>low-16 are be disabled when non-invasive trace is disabled. When an input is disabled it must not alter the interface response and must always return an OK without stalling.</p>

Register ([itm](#)) StimPort20

Name	StimPort20
Relative Address	0x00000050
Absolute Address	0xF8805050
Width	32 bits
Access Type	rw
Reset Value	0x00000000
Description	Stimulus Port Register 20

Register StimPort20 Details

Field Name	Bits	Type	Reset Value	Description
	31:0	rw	0x0	<p>Each of the 32 stimulus ports is represented by a virtual address, creating 32 stimulus registers. A write to one of these locations causes data to be written into the FIFO if the corresponding bit in the Trace Enable Register is set and ITM is enabled. Reading from any of the stimulus ports returns the FIFO status (notFull(1) / Full(0)) only if the ITM is enabled. This enables more efficient core register allocation because the stimulus address has already been generated.</p> <p>The ITM transmits SWIT packets using leading zero compression. Packets can be 8, 16, or 32 bits.</p> <p>The bank of 32 registers is split into a low-16 (0 to 15) and a high-16 (16 to 31). Writes to the high-16 are discarded by the ITM whenever secure non-invasive trace is disabled, regardless of how the Trace Enable Register bits [31:16] are set. Both the high-16 and</p> <p>low-16 are be disabled when non-invasive trace is disabled. When an input is disabled it must not alter the interface response and must always return an OK without stalling.</p>

Register ([itm](#)) StimPort21

Name	StimPort21
Relative Address	0x00000054
Absolute Address	0xF8805054
Width	32 bits
Access Type	rw
Reset Value	0x00000000
Description	Stimulus Port Register 21

Register StimPort21 Details

Field Name	Bits	Type	Reset Value	Description
	31:0	rw	0x0	<p>Each of the 32 stimulus ports is represented by a virtual address, creating 32 stimulus registers. A write to one of these locations causes data to be written into the FIFO if the corresponding bit in the Trace Enable Register is set and ITM is enabled. Reading from any of the stimulus ports returns the FIFO status (notFull(1) / Full(0)) only if the ITM is enabled. This enables more efficient core register allocation because the stimulus address has already been generated.</p> <p>The ITM transmits SWIT packets using leading zero compression. Packets can be 8, 16, or 32 bits.</p> <p>The bank of 32 registers is split into a low-16 (0 to 15) and a high-16 (16 to 31). Writes to the high-16 are discarded by the ITM whenever secure non-invasive trace is disabled, regardless of how the Trace Enable Register bits [31:16] are set. Both the high-16 and</p> <p>low-16 are be disabled when non-invasive trace is disabled. When an input is disabled it must not alter the interface response and must always return an OK without stalling.</p>

Register ([itm](#)) StimPort22

Name	StimPort22
Relative Address	0x00000058
Absolute Address	0xF8805058
Width	32 bits
Access Type	rw
Reset Value	0x00000000
Description	Stimulus Port Register 22

Register StimPort22 Details

Field Name	Bits	Type	Reset Value	Description
	31:0	rw	0x0	<p>Each of the 32 stimulus ports is represented by a virtual address, creating 32 stimulus registers. A write to one of these locations causes data to be written into the FIFO if the corresponding bit in the Trace Enable Register is set and ITM is enabled. Reading from any of the stimulus ports returns the FIFO status (notFull(1) / Full(0)) only if the ITM is enabled. This enables more efficient core register allocation because the stimulus address has already been generated.</p> <p>The ITM transmits SWIT packets using leading zero compression. Packets can be 8, 16, or 32 bits.</p> <p>The bank of 32 registers is split into a low-16 (0 to 15) and a high-16 (16 to 31). Writes to the high-16 are discarded by the ITM whenever secure non-invasive trace is disabled, regardless of how the Trace Enable Register bits [31:16] are set. Both the high-16 and low-16 are disabled when non-invasive trace is disabled. When an input is disabled it must not alter the interface response and must always return an OK without stalling.</p>

Register ([itm](#)) StimPort23

Name	StimPort23
Relative Address	0x0000005C
Absolute Address	0xF880505C
Width	32 bits
Access Type	rw
Reset Value	0x00000000
Description	Stimulus Port Register 23

Register StimPort23 Details

Field Name	Bits	Type	Reset Value	Description
	31:0	rw	0x0	<p>Each of the 32 stimulus ports is represented by a virtual address, creating 32 stimulus registers. A write to one of these locations causes data to be written into the FIFO if the corresponding bit in the Trace Enable Register is set and ITM is enabled. Reading from any of the stimulus ports returns the FIFO status (notFull(1) / Full(0)) only if the ITM is enabled. This enables more efficient core register allocation because the stimulus address has already been generated.</p> <p>The ITM transmits SWIT packets using leading zero compression. Packets can be 8, 16, or 32 bits.</p> <p>The bank of 32 registers is split into a low-16 (0 to 15) and a high-16 (16 to 31). Writes to the high-16 are discarded by the ITM whenever secure non-invasive trace is disabled, regardless of how the Trace Enable Register bits [31:16] are set. Both the high-16 and</p> <p>low-16 are be disabled when non-invasive trace is disabled. When an input is disabled it must not alter the interface response and must always return an OK without stalling.</p>

Register ([itm](#)) StimPort24

Name	StimPort24
Relative Address	0x00000060
Absolute Address	0xF8805060
Width	32 bits
Access Type	rw
Reset Value	0x00000000
Description	Stimulus Port Register 24

Register StimPort24 Details

Field Name	Bits	Type	Reset Value	Description
	31:0	rw	0x0	<p>Each of the 32 stimulus ports is represented by a virtual address, creating 32 stimulus registers. A write to one of these locations causes data to be written into the FIFO if the corresponding bit in the Trace Enable Register is set and ITM is enabled. Reading from any of the stimulus ports returns the FIFO status (notFull(1) / Full(0)) only if the ITM is enabled. This enables more efficient core register allocation because the stimulus address has already been generated.</p> <p>The ITM transmits SWIT packets using leading zero compression. Packets can be 8, 16, or 32 bits.</p> <p>The bank of 32 registers is split into a low-16 (0 to 15) and a high-16 (16 to 31). Writes to the high-16 are discarded by the ITM whenever secure non-invasive trace is disabled, regardless of how the Trace Enable Register bits [31:16] are set. Both the high-16 and</p> <p>low-16 are be disabled when non-invasive trace is disabled. When an input is disabled it must not alter the interface response and must always return an OK without stalling.</p>

Register ([itm](#)) StimPort25

Name	StimPort25
Relative Address	0x00000064
Absolute Address	0xF8805064
Width	32 bits
Access Type	rw
Reset Value	0x00000000
Description	Stimulus Port Register 25

Register StimPort25 Details

Field Name	Bits	Type	Reset Value	Description
	31:0	rw	0x0	<p>Each of the 32 stimulus ports is represented by a virtual address, creating 32 stimulus registers. A write to one of these locations causes data to be written into the FIFO if the corresponding bit in the Trace Enable Register is set and ITM is enabled. Reading from any of the stimulus ports returns the FIFO status (notFull(1) / Full(0)) only if the ITM is enabled. This enables more efficient core register allocation because the stimulus address has already been generated.</p> <p>The ITM transmits SWIT packets using leading zero compression. Packets can be 8, 16, or 32 bits.</p> <p>The bank of 32 registers is split into a low-16 (0 to 15) and a high-16 (16 to 31). Writes to the high-16 are discarded by the ITM whenever secure non-invasive trace is disabled, regardless of how the Trace Enable Register bits [31:16] are set. Both the high-16 and</p> <p>low-16 are be disabled when non-invasive trace is disabled. When an input is disabled it must not alter the interface response and must always return an OK without stalling.</p>

Register ([itm](#)) StimPort26

Name	StimPort26
Relative Address	0x00000068
Absolute Address	0xF8805068
Width	32 bits
Access Type	rw
Reset Value	0x00000000
Description	Stimulus Port Register 26



Register StimPort26 Details

Field Name	Bits	Type	Reset Value	Description
	31:0	rw	0x0	<p>Each of the 32 stimulus ports is represented by a virtual address, creating 32 stimulus registers. A write to one of these locations causes data to be written into the FIFO if the corresponding bit in the Trace Enable Register is set and ITM is enabled. Reading from any of the stimulus ports returns the FIFO status (notFull(1) / Full(0)) only if the ITM is enabled. This enables more efficient core register allocation because the stimulus address has already been generated.</p> <p>The ITM transmits SWIT packets using leading zero compression. Packets can be 8, 16, or 32 bits.</p> <p>The bank of 32 registers is split into a low-16 (0 to 15) and a high-16 (16 to 31). Writes to the high-16 are discarded by the ITM whenever secure non-invasive trace is disabled, regardless of how the Trace Enable Register bits [31:16] are set. Both the high-16 and</p> <p>low-16 are be disabled when non-invasive trace is disabled. When an input is disabled it must not alter the interface response and must always return an OK without stalling.</p>

Register ([itm](#)) StimPort27

Name	StimPort27
Relative Address	0x0000006C
Absolute Address	0xF880506C
Width	32 bits
Access Type	rw
Reset Value	0x00000000
Description	Stimulus Port Register 27

Register StimPort27 Details

Field Name	Bits	Type	Reset Value	Description
	31:0	rw	0x0	<p>Each of the 32 stimulus ports is represented by a virtual address, creating 32 stimulus registers. A write to one of these locations causes data to be written into the FIFO if the corresponding bit in the Trace Enable Register is set and ITM is enabled. Reading from any of the stimulus ports returns the FIFO status (notFull(1) / Full(0)) only if the ITM is enabled. This enables more efficient core register allocation because the stimulus address has already been generated.</p> <p>The ITM transmits SWIT packets using leading zero compression. Packets can be 8, 16, or 32 bits.</p> <p>The bank of 32 registers is split into a low-16 (0 to 15) and a high-16 (16 to 31). Writes to the high-16 are discarded by the ITM whenever secure non-invasive trace is disabled, regardless of how the Trace Enable Register bits [31:16] are set. Both the high-16 and</p> <p>low-16 are be disabled when non-invasive trace is disabled. When an input is disabled it must not alter the interface response and must always return an OK without stalling.</p>

Register ([itm](#)) StimPort28

Name	StimPort28
Relative Address	0x00000070
Absolute Address	0xF8805070
Width	32 bits
Access Type	rw
Reset Value	0x00000000
Description	Stimulus Port Register 28

Register StimPort28 Details

Field Name	Bits	Type	Reset Value	Description
	31:0	rw	0x0	<p>Each of the 32 stimulus ports is represented by a virtual address, creating 32 stimulus registers. A write to one of these locations causes data to be written into the FIFO if the corresponding bit in the Trace Enable Register is set and ITM is enabled. Reading from any of the stimulus ports returns the FIFO status (notFull(1) / Full(0)) only if the ITM is enabled. This enables more efficient core register allocation because the stimulus address has already been generated.</p> <p>The ITM transmits SWIT packets using leading zero compression. Packets can be 8, 16, or 32 bits.</p> <p>The bank of 32 registers is split into a low-16 (0 to 15) and a high-16 (16 to 31). Writes to the high-16 are discarded by the ITM whenever secure non-invasive trace is disabled, regardless of how the Trace Enable Register bits [31:16] are set. Both the high-16 and low-16 are disabled when non-invasive trace is disabled. When an input is disabled it must not alter the interface response and must always return an OK without stalling.</p>

Register ([itm](#)) StimPort29

Name	StimPort29
Relative Address	0x00000074
Absolute Address	0xF8805074
Width	32 bits
Access Type	rw
Reset Value	0x00000000
Description	Stimulus Port Register 29

Register StimPort29 Details

Field Name	Bits	Type	Reset Value	Description
	31:0	rw	0x0	<p>Each of the 32 stimulus ports is represented by a virtual address, creating 32 stimulus registers. A write to one of these locations causes data to be written into the FIFO if the corresponding bit in the Trace Enable Register is set and ITM is enabled. Reading from any of the stimulus ports returns the FIFO status (notFull(1) / Full(0)) only if the ITM is enabled. This enables more efficient core register allocation because the stimulus address has already been generated.</p> <p>The ITM transmits SWIT packets using leading zero compression. Packets can be 8, 16, or 32 bits.</p> <p>The bank of 32 registers is split into a low-16 (0 to 15) and a high-16 (16 to 31). Writes to the high-16 are discarded by the ITM whenever secure non-invasive trace is disabled, regardless of how the Trace Enable Register bits [31:16] are set. Both the high-16 and</p> <p>low-16 are be disabled when non-invasive trace is disabled. When an input is disabled it must not alter the interface response and must always return an OK without stalling.</p>

Register ([itm](#)) StimPort30

Name	StimPort30
Relative Address	0x00000078
Absolute Address	0xF8805078
Width	32 bits
Access Type	rw
Reset Value	0x00000000
Description	Stimulus Port Register 30

Register StimPort30 Details

Field Name	Bits	Type	Reset Value	Description
	31:0	rw	0x0	<p>Each of the 32 stimulus ports is represented by a virtual address, creating 32 stimulus registers. A write to one of these locations causes data to be written into the FIFO if the corresponding bit in the Trace Enable Register is set and ITM is enabled. Reading from any of the stimulus ports returns the FIFO status (notFull(1) / Full(0)) only if the ITM is enabled. This enables more efficient core register allocation because the stimulus address has already been generated.</p> <p>The ITM transmits SWIT packets using leading zero compression. Packets can be 8, 16, or 32 bits.</p> <p>The bank of 32 registers is split into a low-16 (0 to 15) and a high-16 (16 to 31). Writes to the high-16 are discarded by the ITM whenever secure non-invasive trace is disabled, regardless of how the Trace Enable Register bits [31:16] are set. Both the high-16 and low-16 are disabled when non-invasive trace is disabled. When an input is disabled it must not alter the interface response and must always return an OK without stalling.</p>

Register ([itm](#)) StimPort31

Name	StimPort31
Relative Address	0x0000007C
Absolute Address	0xF880507C
Width	32 bits
Access Type	rw
Reset Value	0x00000000
Description	Stimulus Port Register 31

Register StimPort31 Details

Field Name	Bits	Type	Reset Value	Description
	31:0	rw	0x0	<p>Each of the 32 stimulus ports is represented by a virtual address, creating 32 stimulus registers. A write to one of these locations causes data to be written into the FIFO if the corresponding bit in the Trace Enable Register is set and ITM is enabled. Reading from any of the stimulus ports returns the FIFO status (notFull(1) / Full(0)) only if the ITM is enabled. This enables more efficient core register allocation because the stimulus address has already been generated.</p> <p>The ITM transmits SWIT packets using leading zero compression. Packets can be 8, 16, or 32 bits.</p> <p>The bank of 32 registers is split into a low-16 (0 to 15) and a high-16 (16 to 31). Writes to the high-16 are discarded by the ITM whenever secure non-invasive trace is disabled, regardless of how the Trace Enable Register bits [31:16] are set. Both the high-16 and low-16 are disabled when non-invasive trace is disabled. When an input is disabled it must not alter the interface response and must always return an OK without stalling.</p>

Register ([itm](#)) TER

Name	TER
Relative Address	0x00000E00
Absolute Address	0xF8805E00
Width	32 bits
Access Type	rw
Reset Value	0x00000000
Description	Trace Enable Register

Register TER Details

Field Name	Bits	Type	Reset Value	Description
	31:0	rw	0x0	Bit mask to enable tracing on ITM stimulus ports.

Register ([itm](#)) TTR

Name	TTR
Relative Address	0x00000E20

Absolute Address 0xF8805E20  
 Width 32 bits  
 Access Type rw  
 Reset Value 0x00000000  
 Description Trace Trigger Register

Register TTR Details

Field Name	Bits	Type	Reset Value	Description
	31:0	rw	0x0	Bit mask to enable trigger generation, TRIGOUT, on selected writes to the Stimulus Registers.

Register ([itm](#)) CR

Name CR  
 Relative Address 0x00000E80  
 Absolute Address 0xF8805E80  
 Width 24 bits  
 Access Type mixed  
 Reset Value 0x00000004  
 Description Control Register

Register CR Details

Field Name	Bits	Type	Reset Value	Description
ITMBusy	23	rw	0x0	ITM is transmitting trace and FIFO is not empty
TraceID	22:16	rw	0x0	ATIDM[6:0] value
reserved	15:10	ro	0x0	Reserved
TSPrescale	9:8	rw	0x0	Timestamp Prescaler Enumerated Value List: DIVBY1=0. DIVBY4=1. DIVBY16=2. DIVBY64=3.
reserved	7:4	ro	0x0	Reserved
DWTEn	3	ro	0x0	Enable DWT input port
SYNCEn	2	ro	0x1	Enable sync packets
TSSEn	1	rw	0x0	Enable timestamps, delta
ITMEn	0	rw	0x0	Enable ITM Stimulus, also acts as a global enable

### Register ([itm](#)) SCR

Name	SCR
Relative Address	0x00000E90
Absolute Address	0xF8805E90
Width	12 bits
Access Type	rw
Reset Value	0x00000400
Description	Synchronization Control Register

#### Register SCR Details

Field Name	Bits	Type	Reset Value	Description
SyncCount	11:0	rw	0x400	Counter value for time between synchronization markers

### Register ([itm](#)) ITTRIGOUTACK

Name	ITTRIGOUTACK
Relative Address	0x00000EE4
Absolute Address	0xF8805EE4
Width	1 bits
Access Type	ro
Reset Value	0x00000000
Description	Integration Test Trigger Out Acknowledge Register

#### Register ITTRIGOUTACK Details

Field Name	Bits	Type	Reset Value	Description
ITTRIGOUTACK	0	ro	0x0	Read the value of TRIGOUTACK

### Register ([itm](#)) ITTRIGOUT

Name	ITTRIGOUT
Relative Address	0x00000EE8
Absolute Address	0xF8805EE8
Width	1 bits
Access Type	wo
Reset Value	0x00000000



Description Integration Test Trigger Out Register

Register ITTRIGOUT Details

Field Name	Bits	Type	Reset Value	Description
ITTRIGOUT	0	wo	0x0	Set the value of TRIGOUT

Register ([itm](#)) ITATBDATA0

Name ITATBDATA0  
 Relative Address 0x0000EEC  
 Absolute Address 0xF8805EEC  
 Width 2 bits  
 Access Type wo  
 Reset Value 0x00000000  
 Description Integration Test ATB Data Register 0

Register ITATBDATA0 Details

Field Name	Bits	Type	Reset Value	Description
ITATDATAM7	1	wo	0x0	Set the value of ATDATAM[7]
ITATDATAM0	0	wo	0x0	Set the value of ATDATAM[0]

Register ([itm](#)) ITATBCTR2

Name ITATBCTR2  
 Relative Address 0x0000EF0  
 Absolute Address 0xF8805EF0  
 Width 1 bits  
 Access Type ro  
 Reset Value 0x00000001  
 Description Integration Test ATB Control Register 2

Register ITATBCTR2 Details

Field Name	Bits	Type	Reset Value	Description
ITATREADYM	0	ro	0x1	Read the value of ATREADYM

### Register ([itm](#)) ITATABCTR1

Name	ITATABCTR1
Relative Address	0x00000EF4
Absolute Address	0xF8805EF4
Width	7 bits
Access Type	wo
Reset Value	0x00000000
Description	Integration Test ATB Control Register 1

#### Register ITATABCTR1 Details

Field Name	Bits	Type	Reset Value	Description
ITATIDM	6:0	wo	0x0	Set the value of ATIDM[6:0]

### Register ([itm](#)) ITATBCTR0

Name	ITATBCTR0
Relative Address	0x00000EF8
Absolute Address	0xF8805EF8
Width	2 bits
Access Type	wo
Reset Value	0x00000000
Description	Integration Test ATB Control Register 0

#### Register ITATBCTR0 Details

Field Name	Bits	Type	Reset Value	Description
ITAFREADYM	1	wo	0x0	Set the value of AFREADYM
ITATVALIDM	0	wo	0x0	Set the value of ATVALIDM

### Register ([itm](#)) IMCR

Name	IMCR
Relative Address	0x00000F00
Absolute Address	0xF8805F00
Width	1 bits
Access Type	rw
Reset Value	0x00000000

Description Integration Mode Control Register

Register IMCR Details

Field Name	Bits	Type	Reset Value	Description
	0	rw	0x0	Enable Integration Test registers.

Register ([itm](#)) CTSR

Name CTSR  
 Relative Address 0x00000FA0  
 Absolute Address 0xF8805FA0  
 Width 8 bits  
 Access Type rw  
 Reset Value 0x000000FF  
 Description Claim Tag Set Register

Register CTSR Details

Field Name	Bits	Type	Reset Value	Description
	7:0	rw	0xFF	The claim tag register is used for any interrogating tools to determine if the device is being programmed or has been programmed. Read: 1= Claim tag is implemented, 0 = Claim tag is not implemented Write: 1= Set claim tag bit, 0= No effect

Register ([itm](#)) CTCR

Name CTCR  
 Relative Address 0x00000FA4  
 Absolute Address 0xF8805FA4  
 Width 8 bits  
 Access Type rw  
 Reset Value 0x00000000  
 Description Claim Tag Clear Register

Register CTCR Details

Field Name	Bits	Type	Reset Value	Description
	7:0	rw	0x0	The claim tag register is used for any interrogating tools to determine if the device is being programmed or has been programmed. Read: Current value of claim tag. Write: 1= Clear claim tag bit, 0= No effect

Register ([itm](#)) LAR

Name	LAR
Relative Address	0x00000FB0
Absolute Address	0xF8805FB0
Width	32 bits
Access Type	wo
Reset Value	0x00000000
Description	Lock Access Register

Register LAR Details

Field Name	Bits	Type	Reset Value	Description
	31:0	wo	0x0	Write Access Code. Write behavior depends on PADDRDBG31 pin: - PADDRDBG31=0 (lower 2GB): After reset (via PRESETDBGn), ITM is locked, i.e., writes to all other registers using lower 2GB addresses are ignored. To unlock, 0xC5ACCE55 must be written this register. After the required registers are written, to lock again, write a value other than 0xC5ACCE55 to this register. - PADDRDBG31=1 (upper 2GB): ITM is unlocked when upper 2GB addresses are used to write to all the registers. However, write to this register is ignored using a upper 2GB address! Note: read from this register always returns 0, regardless of PADDRDBG31.

Register ([itm](#)) LSR

Name	LSR
------	-----

Relative Address 0x0000FB4  
 Absolute Address 0xF8805FB4  
 Width 3 bits  
 Access Type ro  
 Reset Value 0x00000003  
 Description Lock Status Register

Register LSR Details

Field Name	Bits	Type	Reset Value	Description
8BIT	2	ro	0x0	Set to 0 since ITM implements a 32-bit lock access register
STATUS	1	ro	0x1	Read behavior depends on PADDRDBG31 pin: - PADDRDBG31=0 (lower 2GB): When a lower 2GB address is used to read this register, this bit indicates whether ITM is in locked state (1= locked, 0= unlocked). - PADDRDBG31=1 (upper 2GB): always returns 0.
IMP	0	ro	0x1	Read behavior depends on PADDRDBG31 pin: - PADDRDBG31=0 (lower 2GB): always returns 1, meaning lock mechanism are implemented. - PADDRDBG31=1 (upper 2GB): always returns 0, meaning lock mechanism is NOT implemented.

Register ([itm](#)) ASR

Name ASR  
 Relative Address 0x0000FB8  
 Absolute Address 0xF8805FB8  
 Width 8 bits  
 Access Type ro  
 Reset Value 0x00000088  
 Description Authentication Status Register

Register ASR Details

Field Name	Bits	Type	Reset Value	Description
	7:0	ro	0x88	Value is 0b1S001N00 where S is secure non-invasive debug state and N is non-secure, non-invasive debug.

Register ([itm](#)) DEVID

Name	DEVID
Relative Address	0x00000FC8
Absolute Address	0xF8805FC8
Width	13 bits
Access Type	ro
Reset Value	0x00000020
Description	Device ID

Register DEVID Details

Field Name	Bits	Type	Reset Value	Description
NumStimRegs	12:0	ro	0x20	Number of stimulus registers

Register ([itm](#)) DTIR

Name	DTIR
Relative Address	0x00000FCC
Absolute Address	0xF8805FCC
Width	8 bits
Access Type	ro
Reset Value	0x00000043
Description	Device Type Identifier Register

Register DTIR Details

Field Name	Bits	Type	Reset Value	Description
	7:0	ro	0x43	Indicates a Trace Source and the stimulus is devifed from bus activity

Register ([itm](#)) PERIPHID4

Name	PERIPHID4
------	-----------

Relative Address 0x0000FD0  
 Absolute Address 0xF8805FD0  
 Width 8 bits  
 Access Type ro  
 Reset Value 0x00000004  
 Description Peripheral ID4

Register PERIPHID4 Details

Field Name	Bits	Type	Reset Value	Description
4KB_count	7:4	ro	0x0	4KB Count, set to 0
JEP106ID	3:0	ro	0x4	JEP106 continuation code

Register (itm) PERIPHID5

Name PERIPHID5  
 Relative Address 0x0000FD4  
 Absolute Address 0xF8805FD4  
 Width 8 bits  
 Access Type ro  
 Reset Value 0x00000000  
 Description Peripheral ID5

Register PERIPHID5 Details

Field Name	Bits	Type	Reset Value	Description
	7:0	ro	0x0	reserved

Register (itm) PERIPHID6

Name PERIPHID6  
 Relative Address 0x0000FD8  
 Absolute Address 0xF8805FD8  
 Width 8 bits  
 Access Type ro  
 Reset Value 0x00000000  
 Description Peripheral ID6

Register PERIPHID6 Details

Field Name	Bits	Type	Reset Value	Description
	7:0	ro	0x0	reserved

Register ([itm](#)) PERIPHID7

Name	PERIPHID7
Relative Address	0x0000FDC
Absolute Address	0xF8805FDC
Width	8 bits
Access Type	ro
Reset Value	0x00000000
Description	Peripheral ID7

Register PERIPHID7 Details

Field Name	Bits	Type	Reset Value	Description
	7:0	ro	0x0	reserved

Register ([itm](#)) PERIPHID0

Name	PERIPHID0
Relative Address	0x0000FE0
Absolute Address	0xF8805FE0
Width	8 bits
Access Type	ro
Reset Value	0x00000013
Description	Peripheral ID0

Register PERIPHID0 Details

Field Name	Bits	Type	Reset Value	Description
	7:0	ro	0x13	PartNumber0

Register ([itm](#)) PERIPHID1

Name	PERIPHID1
Relative Address	0x0000FE4



Absolute Address 0xF8805FE4  
 Width 8 bits  
 Access Type ro  
 Reset Value 0x000000B9  
 Description Peripheral ID1

Register PERIPHID1 Details

Field Name	Bits	Type	Reset Value	Description
JEP106ID	7:4	ro	0xB	JEP106 Identity Code [3:0]
PartNumber1	3:0	ro	0x9	PartNumber1

Register (itm) PERIPHID2

Name PERIPHID2  
 Relative Address 0x00000FE8  
 Absolute Address 0xF8805FE8  
 Width 8 bits  
 Access Type ro  
 Reset Value 0x0000002B  
 Description Peripheral ID2

Register PERIPHID2 Details

Field Name	Bits	Type	Reset Value	Description
RevNum	7:4	ro	0x2	Revision number of Peripheral
JEDEC	3	ro	0x1	Indicates that a JEDEC assigned value is used
JEP106ID	2:0	ro	0x3	JEP106 Identity Code [6:4]

Register (itm) PERIPHID3

Name PERIPHID3  
 Relative Address 0x00000FEC  
 Absolute Address 0xF8805FEC  
 Width 8 bits  
 Access Type ro  
 Reset Value 0x00000000  
 Description Peripheral ID3

Register PERIPHID3 Details

Field Name	Bits	Type	Reset Value	Description
RevAnd	7:4	ro	0x0	RevAnd, at top level
CustMod	3:0	ro	0x0	Customer Modified

Register ([itm](#)) COMPID0

Name	COMPID0
Relative Address	0x0000FF0
Absolute Address	0xF8805FF0
Width	8 bits
Access Type	ro
Reset Value	0x000000D
Description	Component ID0

Register COMPID0 Details

Field Name	Bits	Type	Reset Value	Description
	7:0	ro	0xD	Preamble

Register ([itm](#)) COMPID1

Name	COMPID1
Relative Address	0x0000FF4
Absolute Address	0xF8805FF4
Width	8 bits
Access Type	ro
Reset Value	0x00000090
Description	Component ID1

Register COMPID1 Details

Field Name	Bits	Type	Reset Value	Description
	7:0	ro	0x90	Preamble

Register ([itm](#)) COMPID2

Name	COMPID2
------	---------

Relative Address 0x0000FF8  
 Absolute Address 0xF8805FF8  
 Width 8 bits  
 Access Type ro  
 Reset Value 0x0000005  
 Description Component ID2

Register COMPID2 Details

Field Name	Bits	Type	Reset Value	Description
	7:0	ro	0x5	Preamble

Register ([itm](#)) COMPID3

Name COMPID3  
 Relative Address 0x0000FFC  
 Absolute Address 0xF8805FFC  
 Width 8 bits  
 Access Type ro  
 Reset Value 0x00000B1  
 Description Component ID3

Register COMPID3 Details

Field Name	Bits	Type	Reset Value	Description
	7:0	ro	0xB1	Preamble

## B.15 CoreSight Trace Packet Output (tpiu)

Module Name	CoreSight Trace Packet Output (tpiu)
Base Address	0xF8803000 debug_tpiu
Description	Trace Port Interface Unit
Vendor Info	

### Register Summary

Register Name	Address	Width	Type	Reset Value	Description
<a href="#">SuppSize</a>	0x00000000	32	rw	0xFFFFFFFF	Supported Port Size Register
<a href="#">CurrentSize</a>	0x00000004	32	rw	0x00000001	Current Port Size Register
<a href="#">SuppTrigMode</a>	0x00000100	18	ro	0x0000011F	Supported Trigger Modes Register
<a href="#">TrigCount</a>	0x00000104	8	rw	0x00000000	Trigger Counter Register
<a href="#">TrigMult</a>	0x00000108	5	rw	0x00000000	Trigger Multiplier Register
<a href="#">SuppTest</a>	0x00000200	18	ro	0x0003000F	Supported Test Patterns/Modes Register
<a href="#">CurrentTest</a>	0x00000204	18	mixed	0x00000000	Current Test Patterns/Modes Register
<a href="#">TestRepeatCount</a>	0x00000208	8	rw	0x00000000	TPIU Test Pattern Repeat Counter Register
<a href="#">FFSR</a>	0x00000300	3	ro	0x00000006	Formatter and Flush Status Register
<a href="#">FFCR</a>	0x00000304	14	mixed	0x00000000	Formatter and Flush Control Register
<a href="#">FormatSyncCount</a>	0x00000308	12	rw	0x00000040	Formatter Synchronization Counter Register
<a href="#">EXTCTLIn</a>	0x00000400	8	ro	0x00000000	EXTCTL In Port
<a href="#">EXTCTLOut</a>	0x00000404	8	rw	0x00000000	EXTCTL Out Port
<a href="#">ITTRFLINACK</a>	0x00000EE4	2	wo	0x00000000	Integration Test Trigger In and Flush In Acknowledge Register
<a href="#">ITTRFLIN</a>	0x00000EE8	2	ro	x	Integration Test Trigger In and Flush In Register
<a href="#">ITATBDATA0</a>	0x00000EEC	5	ro	x	Integration Test ATB Data Register 0
<a href="#">ITATBCTR2</a>	0x00000EF0	2	wo	0x00000000	Integration Test ATB Control Register 2

Register Name	Address	Width	Type	Reset Value	Description
<a href="#">ITATBCTR1</a>	0x00000EF4	7	ro	x	Integration Test ATB Control Register 1
<a href="#">ITATBCTR0</a>	0x00000EF8	10	ro	x	Integration Test ATB Control Register 0
<a href="#">IMCR</a>	0x00000F00	1	rw	0x00000000	Integration Mode Control Register
<a href="#">CTSR</a>	0x00000FA0	4	rw	0x0000000F	Claim Tag Set Register
<a href="#">CTCR</a>	0x00000FA4	4	rw	0x00000000	Claim Tag Clear Register
<a href="#">LAR</a>	0x00000FB0	32	wo	0x00000000	Lock Access Register
<a href="#">LSR</a>	0x00000FB4	3	ro	0x00000003	Lock Status Register
<a href="#">ASR</a>	0x00000FB8	8	ro	0x00000000	Authentication Status Register
<a href="#">DEVID</a>	0x00000FC8	12	ro	0x000000A0	Device ID
<a href="#">DTIR</a>	0x00000FCC	8	ro	0x00000011	Device Type Identifier Register
<a href="#">PERIPID4</a>	0x00000FD0	8	ro	0x00000004	Peripheral ID4
<a href="#">PERIPID5</a>	0x00000FD4	8	ro	0x00000000	Peripheral ID5
<a href="#">PERIPID6</a>	0x00000FD8	8	ro	0x00000000	Peripheral ID6
<a href="#">PERIPID7</a>	0x00000FDC	8	ro	0x00000000	Peripheral ID7
<a href="#">PERIPID0</a>	0x00000FE0	8	ro	0x00000012	Peripheral ID0
<a href="#">PERIPID1</a>	0x00000FE4	8	ro	0x000000B9	Peripheral ID1
<a href="#">PERIPID2</a>	0x00000FE8	8	ro	0x0000004B	Peripheral ID2
<a href="#">PERIPID3</a>	0x00000FEC	8	ro	0x00000000	Peripheral ID3
<a href="#">COMPID0</a>	0x00000FF0	8	ro	0x0000000D	Component ID0
<a href="#">COMPID1</a>	0x00000FF4	8	ro	0x00000090	Component ID1
<a href="#">COMPID2</a>	0x00000FF8	8	ro	0x00000005	Component ID2
<a href="#">COMPID3</a>	0x00000FFC	8	ro	0x000000B1	Component ID3

### Register ([tpiu](#)) SuppSize

Name	SuppSize
Relative Address	0x00000000
Absolute Address	0xF8803000
Width	32 bits
Access Type	rw
Reset Value	0xFFFFFFFF
Description	Supported Port Size Register

Register SuppSize Details

Field Name	Bits	Type	Reset Value	Description
	31:0	rw	0xFFFFFFFF	Each bit location represents a single port size that is supported on the device, that is, 32-1 in bit locations [31:0].

Register ([tpiu](#)) CurrentSize

Name	CurrentSize
Relative Address	0x00000004
Absolute Address	0xF8803004
Width	32 bits
Access Type	rw
Reset Value	0x00000001
Description	Current Port Size Register

Register CurrentSize Details

Field Name	Bits	Type	Reset Value	Description
	31:0	rw	0x1	The Current Port Size Register has the same format as the Supported Port Sizes register but only one bit is set, and all others must be zero. Writing values with more than one bit set or setting a bit that is not indicated as supported is not supported and causes unpredictable behavior.

Register ([tpiu](#)) SuppTrigMode

Name	SuppTrigMode
Relative Address	0x00000100
Absolute Address	0xF8803100
Width	18 bits
Access Type	ro
Reset Value	0x0000011F
Description	Supported Trigger Modes Register

Register SuppTrigMode Details

Field Name	Bits	Type	Reset Value	Description
TrgRun	17	ro	0x0	Trigger Counter running. A trigger has occurred but the counter is not at zero.
Triggered	16	ro	0x0	A trigger has occurred and the counter has reached zero.
reserved	15:9	ro	0x0	Reserved
TCount8	8	ro	0x1	8-bit wide counter register implemented.
reserved	7:5	ro	0x0	Reserved
Mult64k	4	ro	0x1	Multiply the Trigger Counter by 65536 supported.
Mult256	3	ro	0x1	Multiply the Trigger Counter by 256 supported.
Mult16	2	ro	0x1	Multiply the Trigger Counter by 16 supported.
Mult4	1	ro	0x1	Multiply the Trigger Counter by 4 supported.
Mult2	0	ro	0x1	Multiply the Trigger Counter by 2 supported.

Register ([tpiu](#)) TrigCount

Name	TrigCount
Relative Address	0x00000104
Absolute Address	0xF8803104
Width	8 bits
Access Type	rw
Reset Value	0x00000000
Description	Trigger Counter Register

Register TrigCount Details

Field Name	Bits	Type	Reset Value	Description
TrigCount	7:0	rw	0x0	8-bit counter value for the number of words to be output from the formatter before a trigger is inserted.

Register ([tpiu](#)) TrigMult

Name	TrigMult
Relative Address	0x00000108
Absolute Address	0xF8803108
Width	5 bits

Access Type                rw  
 Reset Value                0x00000000  
 Description                Trigger Multiplier Register

Register TrigMult Details

Field Name	Bits	Type	Reset Value	Description
Mult64k	4	rw	0x0	Multiply the Trigger Counter by 65536.
Mult256	3	rw	0x0	Multiply the Trigger Counter by 256.
Mult16	2	rw	0x0	Multiply the Trigger Counter by 16.
Mult4	1	rw	0x0	Multiply the Trigger Counter by 4.
Mult2	0	rw	0x0	Multiply the Trigger Counter by 2.

Register ([tpiu](#)) SuppTest

Name                        SuppTest  
 Relative Address            0x00000200  
 Absolute Address            0xF8803200  
 Width                        18 bits  
 Access Type                ro  
 Reset Value                0x0003000F  
 Description                Supported Test Patterns/Modes Register

Register SuppTest Details

Field Name	Bits	Type	Reset Value	Description
PContEn	17	ro	0x1	Continuous mode.
PTimeEn	16	ro	0x1	Timed mode.
reserved	15:4	ro	0x0	Reserved
PatF0	3	ro	0x1	FF/00 Pattern
PatA5	2	ro	0x1	AA/55 Pattern
PatW0	1	ro	0x1	Walking 0s Pattern
PatW1	0	ro	0x1	Walking 1s Pattern

Register ([tpiu](#)) CurrentTest

Name                        CurrentTest  
 Relative Address            0x00000204



Absolute Address 0xF8803204  
 Width 18 bits  
 Access Type mixed  
 Reset Value 0x00000000  
 Description Current Test Patterns/Modes Register

Register CurrentTest Details

Field Name	Bits	Type	Reset Value	Description
PContEn	17	rw	0x0	Continuous mode.
PTimeEn	16	rw	0x0	Timed mode.
reserved	15:4	ro	0x0	Reserved
PatF0	3	rw	0x0	FF/00 Pattern
PatA5	2	rw	0x0	AA/55 Pattern
PatW0	1	rw	0x0	Walking 0s Pattern
PatW1	0	rw	0x0	Walking 1s Pattern

Register ([tpiu](#)) TestRepeatCount

Name TestRepeatCount  
 Relative Address 0x00000208  
 Absolute Address 0xF8803208  
 Width 8 bits  
 Access Type rw  
 Reset Value 0x00000000  
 Description TPIU Test Pattern Repeat Counter Register

Register TestRepeatCount Details

Field Name	Bits	Type	Reset Value	Description
PattCount	7:0	rw	0x0	8-bit counter value to indicate the number of TRACECLKIN cycles that a pattern runs for before switching to the next pattern.

Register ([tpiu](#)) FFSR

Name FFSR  
 Relative Address 0x00000300  
 Absolute Address 0xF8803300

Width 3 bits  
 Access Type ro  
 Reset Value 0x00000006  
 Description Formatter and Flush Status Register

Register FFSR Details

Field Name	Bits	Type	Reset Value	Description
TCPresent	2	ro	0x1	If this bit is set then TRACECTL is present.
FtStopped	1	ro	0x1	Formatter stopped. The formatter has received a stop request signal and all trace data and post-amble has been output. Any more trace data on the ATB interface is ignored and ATREADY goes HIGH.
FlInProg	0	ro	0x0	Flush In Progress. This is an indication of the current state of AFVALIDS.

Register ([tpiu](#)) FFCR

Name FFCR  
 Relative Address 0x00000304  
 Absolute Address 0xF8803304  
 Width 14 bits  
 Access Type mixed  
 Reset Value 0x00000000  
 Description Formatter and Flush Control Register

Register FFCR Details

Field Name	Bits	Type	Reset Value	Description
StopTrig	13	rw	0x0	Stop the formatter after a Trigger Event is observed.
StopFl	12	rw	0x0	Stop the formatter after a flush completes (return of AFREADY). This forces the FIFO to drain off any part-completed packets.
reserved	11	ro	0x0	Reserved
TrigFl	10	rw	0x0	Indicates a trigger on Flush completion on AFREADY being returned.
TrigEvt	9	rw	0x0	Indicates a trigger on a Trigger Event.
TrigIn	8	rw	0x0	Indicates a trigger on TRIGIN being asserted.
reserved	7	ro	0x0	Reserved

Field Name	Bits	Type	Reset Value	Description
FOnMan	6	rw	0x0	Manually generate a flush of the system. Setting this bit causes a flush to be generated. This is cleared when this flush has been serviced.
FOnTrig	5	rw	0x0	Generate a flush using Trigger event. Set this bit to cause a flush of data in the system when a Trigger Event occurs.
FOnFlIn	4	rw	0x0	Generate flush using the FLUSHIN interface. Set this bit to enable use of the FLUSHIN connection.
reserved	3:2	ro	0x0	Reserved
EnFCont	1	rw	0x0	Continuous Formatting, no TRACECTL. Embed in trigger packets and indicate null cycles using Sync packets. Can only be changed when FtStopped is HIGH.
EnFTC	0	rw	0x0	Enable Formatting. Do not embed Triggers into the formatted stream. Trace disable cycles and triggers are indicated by TRACECTL, where fitted. Can only be changed when FtStopped is HIGH.

### Register ([tpiu](#)) FormatSyncCount

Name	FormatSyncCount
Relative Address	0x00000308
Absolute Address	0xF8803308
Width	12 bits
Access Type	rw
Reset Value	0x00000040
Description	Formatter Synchronization Counter Register

#### Register FormatSyncCount Details

Field Name	Bits	Type	Reset Value	Description
CycCount	11:0	rw	0x40	12-bit counter value to indicate the number of complete frames between full synchronization packets.

### Register ([tpiu](#)) EXTCTLIn

Name	EXTCTLIn
Relative Address	0x00000400
Absolute Address	0xF8803400

Width 8 bits  
 Access Type ro  
 Reset Value 0x00000000  
 Description EXTCTL In Port

Register EXTCTLIn Details

Field Name	Bits	Type	Reset Value	Description
	7:0	ro	0x0	Tied to 0

Register ([tpiu](#)) EXTCTLOut

Name EXTCTLOut  
 Relative Address 0x00000404  
 Absolute Address 0xF8803404  
 Width 8 bits  
 Access Type rw  
 Reset Value 0x00000000  
 Description EXTCTL Out Port

Register EXTCTLOut Details

Field Name	Bits	Type	Reset Value	Description
	7:0	rw	0x0	Output not connected

Register ([tpiu](#)) ITTRFLINACK

Name ITTRFLINACK  
 Relative Address 0x0000EE4  
 Absolute Address 0xF8803EE4  
 Width 2 bits  
 Access Type wo  
 Reset Value 0x00000000  
 Description Integration Test Trigger In and Flush In Acknowledge Register

Register ITTRFLINACK Details

Field Name	Bits	Type	Reset Value	Description
FLUSHINACK	1	wo	0x0	Set the value of FLUSHINACK
TRIGINACK	0	wo	0x0	Set the value of TRIGINACK

Register ([tpiu](#)) ITTRFLIN

Name	ITTRFLIN
Relative Address	0x00000EE8
Absolute Address	0xF8803EE8
Width	2 bits
Access Type	ro
Reset Value	x
Description	Integration Test Trigger In and Flush In Register

Register ITTRFLIN Details

Field Name	Bits	Type	Reset Value	Description
FLUSHIN	1	ro	x	Read the value of FLUSHIN
TRIGIN	0	ro	x	Read the value of TRIGIN

Register ([tpiu](#)) ITATBDATA0

Name	ITATBDATA0
Relative Address	0x00000EEC
Absolute Address	0xF8803EEC
Width	5 bits
Access Type	ro
Reset Value	x
Description	Integration Test ATB Data Register 0

Register ITATBDATA0 Details

Field Name	Bits	Type	Reset Value	Description
ATDATA31	4	ro	x	Read the value of ATDATAS[31]
ATDATA23	3	ro	x	Read the value of ATDATAS[23]
ATDATA15	2	ro	x	Read the value of ATDATAS[15]

Field Name	Bits	Type	Reset Value	Description
ATDATA7	1	ro	x	Read the value of ATDATAS[7]
ATDATA0	0	ro	x	Read the value of ATDATAS[0]

### Register ([tpiu](#)) ITATBCTR2

Name	ITATBCTR2
Relative Address	0x00000EF0
Absolute Address	0xF8803EF0
Width	2 bits
Access Type	wo
Reset Value	0x00000000
Description	Integration Test ATB Control Register 2

#### Register ITATBCTR2 Details

Field Name	Bits	Type	Reset Value	Description
AFVALID	1	wo	0x0	Set the value of AFVALIDS
ATREADY	0	wo	0x0	Set the value of ATREADYDYS

### Register ([tpiu](#)) ITATBCTR1

Name	ITATBCTR1
Relative Address	0x00000EF4
Absolute Address	0xF8803EF4
Width	7 bits
Access Type	ro
Reset Value	x
Description	Integration Test ATB Control Register 1

#### Register ITATBCTR1 Details

Field Name	Bits	Type	Reset Value	Description
ATID	6:0	ro	x	Read the value of ATIDS

### Register ([tpiu](#)) ITATBCTR0

Name	ITATBCTR0
------	-----------

Relative Address 0x00000EF8  
 Absolute Address 0xF8803EF8  
 Width 10 bits  
 Access Type ro  
 Reset Value x  
 Description Integration Test ATB Control Register 0

Register ITATBCTR0 Details

Field Name	Bits	Type	Reset Value	Description
ATBYTES	9:8	ro	x	Read the value of ATBYTESS
reserved	7:2	ro	x	Reserved
AFREADY	1	ro	x	Read the value of AFREADYDYS
ATVALID	0	ro	x	Read the value of ATVALIDDS

Register (tpiu) IMCR

Name IMCR  
 Relative Address 0x00000F00  
 Absolute Address 0xF8803F00  
 Width 1 bits  
 Access Type rw  
 Reset Value 0x00000000  
 Description Integration Mode Control Register

Register IMCR Details

Field Name	Bits	Type	Reset Value	Description
	0	rw	0x0	Enable Integration Test registers

Register (tpiu) CTSR

Name CTSR  
 Relative Address 0x00000FA0  
 Absolute Address 0xF8803FA0  
 Width 4 bits  
 Access Type rw  
 Reset Value 0x0000000F

Description Claim Tag Set Register

Register CTSR Details

Field Name	Bits	Type	Reset Value	Description
	3:0	rw	0xF	The claim tag register is used for any interrogating tools to determine if the device is being programmed or has been programmed. Read: 1= Claim tag is implemented, 0 = Claim tag is not implemented Write: 1= Set claim tag bit, 0= No effect

Register ([tpiu](#)) CTCR

Name CTCR  
 Relative Address 0x0000FA4  
 Absolute Address 0xF8803FA4  
 Width 4 bits  
 Access Type rw  
 Reset Value 0x00000000  
 Description Claim Tag Clear Register

Register CTCR Details

Field Name	Bits	Type	Reset Value	Description
	3:0	rw	0x0	The claim tag register is used for any interrogating tools to determine if the device is being programmed or has been programmed. Read: Current value of claim tag. Write: 1= Clear claim tag bit, 0= No effect

Register ([tpiu](#)) LAR

Name LAR  
 Relative Address 0x0000FB0  
 Absolute Address 0xF8803FB0  
 Width 32 bits  
 Access Type wo  
 Reset Value 0x00000000



Description Lock Access Register

Register LAR Details

Field Name	Bits	Type	Reset Value	Description
	31:0	wo	0x0	<p>Write Access Code.</p> <p>Write behavior depends on PADDRDBG31 pin:</p> <ul style="list-style-type: none"> <li>- PADDRDBG31=0 (lower 2GB): After reset (via PRESETDBGn), TPIU is locked, i.e., writes to all other registers using lower 2GB addresses are ignored. To unlock, 0xC5ACCE55 must be written this register. After the required registers are written, to lock again, write a value other than 0xC5ACCE55 to this register.</li> <li>- PADDRDBG31=1 (upper 2GB): TPIU is unlocked when upper 2GB addresses are used to write to all the registers. However, write to this register is ignored using a upper 2GB address! Note: read from this register always returns 0, regardless of PADDRDBG31.</li> </ul>

Register ([tpiu](#)) LSR

Name LSR

Relative Address 0x00000FB4

Absolute Address 0xF8803FB4

Width 3 bits

Access Type ro

Reset Value 0x00000003

Description Lock Status Register

Register LSR Details

Field Name	Bits	Type	Reset Value	Description
8BIT	2	ro	0x0	Set to 0 since TPIU implements a 32-bit lock access register
STATUS	1	ro	0x1	Read behavior depends on PADDRDBG31 pin: - PADDRDBG31=0 (lower 2GB): When a lower 2GB address is used to read this register, this bit indicates whether TPIU is in locked state (1= locked, 0= unlocked). - PADDRDBG31=1 (upper 2GB): always returns 0.
IMP	0	ro	0x1	Read behavior depends on PADDRDBG31 pin: - PADDRDBG31=0 (lower 2GB): always returns 1, meaning lock mechanism are implemented. - PADDRDBG31=1 (upper 2GB): always returns 0, meaning lock mechanism is NOT implemented.

Register ([tpiu](#)) ASR

Name	ASR
Relative Address	0x00000FB8
Absolute Address	0xF8803FB8
Width	8 bits
Access Type	ro
Reset Value	0x00000000
Description	Authentication Status Register

Register ASR Details

Field Name	Bits	Type	Reset Value	Description
	7:0	ro	0x0	Indicates functionality not implemented

Register ([tpiu](#)) DEVID

Name	DEVID
Relative Address	0x00000FC8
Absolute Address	0xF8803FC8
Width	12 bits

Access Type                ro  
 Reset Value                0x000000A0  
 Description                Device ID

Register DEVID Details

Field Name	Bits	Type	Reset Value	Description
UartNRZ	11	ro	0x0	UART/NRZ not supported
Manchester	10	ro	0x0	Manchester not support
ClockData	9	ro	0x0	Trace clock + data is supported
FifoSize	8:6	ro	0x2	FIFO size is 4
AsyncClock	5	ro	0x1	ATCLK and TRACECLKIN is asynchronous
InputMux	4:0	ro	0x0	No input multiplexing

Register ([tpiu](#)) DTIR

Name                        DTIR  
 Relative Address            0x00000FCC  
 Absolute Address            0xF8803FCC  
 Width                        8 bits  
 Access Type                ro  
 Reset Value                0x00000011  
 Description                Device Type Identifier Register

Register DTIR Details

Field Name	Bits	Type	Reset Value	Description
	7:0	ro	0x11	A trace sink and specifically a TPIU

Register ([tpiu](#)) PERIPHID4

Name                        PERIPHID4  
 Relative Address            0x00000FD0  
 Absolute Address            0xF8803FD0  
 Width                        8 bits  
 Access Type                ro  
 Reset Value                0x00000004  
 Description                Peripheral ID4

Register PERIPHID4 Details

Field Name	Bits	Type	Reset Value	Description
4KB_count	7:4	ro	0x0	4KB Count, set to 0
JEP106ID	3:0	ro	0x4	JEP106 continuation code

Register ([tpiu](#)) PERIPHID5

Name	PERIPHID5
Relative Address	0x0000FD4
Absolute Address	0xF8803FD4
Width	8 bits
Access Type	ro
Reset Value	0x00000000
Description	Peripheral ID5

Register PERIPHID5 Details

Field Name	Bits	Type	Reset Value	Description
	7:0	ro	0x0	reserved

Register ([tpiu](#)) PERIPHID6

Name	PERIPHID6
Relative Address	0x0000FD8
Absolute Address	0xF8803FD8
Width	8 bits
Access Type	ro
Reset Value	0x00000000
Description	Peripheral ID6

Register PERIPHID6 Details

Field Name	Bits	Type	Reset Value	Description
	7:0	ro	0x0	reserved

Register ([tpiu](#)) PERIPHID7

Name	PERIPHID7
------	-----------

Relative Address 0x0000FDC  
 Absolute Address 0xF8803FDC  
 Width 8 bits  
 Access Type ro  
 Reset Value 0x00000000  
 Description Peripheral ID7

Register PERIPHID7 Details

Field Name	Bits	Type	Reset Value	Description
	7:0	ro	0x0	reserved

Register ([tpiu](#)) PERIPHID0

Name PERIPHID0  
 Relative Address 0x0000FE0  
 Absolute Address 0xF8803FE0  
 Width 8 bits  
 Access Type ro  
 Reset Value 0x00000012  
 Description Peripheral ID0

Register PERIPHID0 Details

Field Name	Bits	Type	Reset Value	Description
	7:0	ro	0x12	PartNumber0

Register ([tpiu](#)) PERIPHID1

Name PERIPHID1  
 Relative Address 0x0000FE4  
 Absolute Address 0xF8803FE4  
 Width 8 bits  
 Access Type ro  
 Reset Value 0x000000B9  
 Description Peripheral ID1

Register PERIPHID1 Details

Field Name	Bits	Type	Reset Value	Description
JEP106ID	7:4	ro	0xB	JEP106 Identity Code [3:0]
PartNumber1	3:0	ro	0x9	PartNumber1

Register ([tpiu](#)) PERIPHID2

Name	PERIPHID2
Relative Address	0x0000FE8
Absolute Address	0xF8803FE8
Width	8 bits
Access Type	ro
Reset Value	0x000004B
Description	Peripheral ID2

Register PERIPHID2 Details

Field Name	Bits	Type	Reset Value	Description
RevNum	7:4	ro	0x4	Revision number of Peripheral
JEDEC	3	ro	0x1	Indicates that a JEDEC assigned value is used
JEP106ID	2:0	ro	0x3	JEP106 Identity Code [6:4]

Register ([tpiu](#)) PERIPHID3

Name	PERIPHID3
Relative Address	0x0000FEC
Absolute Address	0xF8803FEC
Width	8 bits
Access Type	ro
Reset Value	0x0000000
Description	Peripheral ID3

Register PERIPHID3 Details

Field Name	Bits	Type	Reset Value	Description
RevAnd	7:4	ro	0x0	RevAnd, at top level
CustMod	3:0	ro	0x0	Customer Modified

### Register ([tpiu](#)) COMPID0

Name COMPID0  
 Relative Address 0x0000FF0  
 Absolute Address 0xF8803FF0  
 Width 8 bits  
 Access Type ro  
 Reset Value 0x000000D  
 Description Component ID0

#### Register COMPID0 Details

Field Name	Bits	Type	Reset Value	Description
	7:0	ro	0xD	Preamble

### Register ([tpiu](#)) COMPID1

Name COMPID1  
 Relative Address 0x0000FF4  
 Absolute Address 0xF8803FF4  
 Width 8 bits  
 Access Type ro  
 Reset Value 0x0000090  
 Description Component ID1

#### Register COMPID1 Details

Field Name	Bits	Type	Reset Value	Description
	7:0	ro	0x90	Preamble

### Register ([tpiu](#)) COMPID2

Name COMPID2  
 Relative Address 0x0000FF8  
 Absolute Address 0xF8803FF8  
 Width 8 bits  
 Access Type ro  
 Reset Value 0x0000005  
 Description Component ID2

Register COMPID2 Details

Field Name	Bits	Type	Reset Value	Description
	7:0	ro	0x5	Preamble

Register ([tpiu](#)) COMPID3

Name	COMPID3
Relative Address	0x0000FFC
Absolute Address	0xF8803FFC
Width	8 bits
Access Type	ro
Reset Value	0x00000B1
Description	Component ID3

Register COMPID3 Details

Field Name	Bits	Type	Reset Value	Description
	7:0	ro	0xB1	Preamble



## B.16 Device Configuration Interface (devcfg)

Module Name	Device Configuration Interface (devcfg)
Software Name	XDCFG
Base Address	0xF8007000 devcfg
Description	Device configuraion Interface
Vendor Info	

### Register Summary

Register Name	Address	Width	Type	Reset Value	Description
<a href="#">CTRL</a>	0x00000000	32	mixed	0x0C006000	Control Register : This register defines basic control registers. Some of the register bits can be locked by control bits in the LOCK Register 0x004.
<a href="#">LOCK</a>	0x00000004	32	mixed	0x00000000	This register defines LOCK register used to lock changes in the Control Register 0x000 after configuration. All those LOCK register is set only register. The only way to clear those registers is power on reset signal.
<a href="#">CFG</a>	0x00000008	32	rw	0x00000508	Configuration Register : This register contains configuration information for the AXI transfers, and other general setup.

Register Name	Address	Width	Type	Reset Value	Description
<a href="#">INT_STS</a>	0x0000000C	32	mixed	0x00000000	<p>Interrupt Status Register : This register contains interrupt status flags.</p> <p>All register bits are clear on write by writing 1s to those bits, however the register bits will only be cleared if the condition that sets the interrupt flag is no longer true.</p> <p>Note that individual status bits will be set if the corresponding condition is satisfied regardless of whether the interrupt mask bit in 0x010 is set.</p> <p>However, external interrupt will only be generated if an interrupt status flag is set and the corresponding mask bit is not set</p>
<a href="#">INT_MASK</a>	0x00000010	32	rw	0xFFFFFFFF	<p>Interrupt Mask Register: This register contains interrupt mask information.</p> <p>Set a bit to 1 to mask the interrupt generation from the corresponding interrupting source in Interrupt Status Register 0x00C.</p>
<a href="#">STATUS</a>	0x00000014	32	mixed	0x40000820	<p>Status Register: This register contains miscellaneous status.</p>
<a href="#">DMA_SRC_ADDR</a>	0x00000018	32	rw	0x00000000	<p>DMA Source address Register: This register contains the source address for DMA transfer.</p> <p>A DMA command consists of source address, destination address, source transfer length, and destination transfer length.</p> <p>It is important that the parameters are programmed in the exact sequence as described</p>

Register Name	Address	Width	Type	Reset Value	Description
<a href="#">DMA_DST_ADDR</a>	0x0000001C	32	rw	0x00000000	<p>DMA Destination address Register: This register contains the destination address for DMA transfer.</p> <p>A DMA command consists of source address, destination address, source transfer length, and destination transfer length. It is important that the parameters are programmed in the exact sequence as described.</p>
<a href="#">DMA_SRC_LEN</a>	0x00000020	32	rw	0x00000000	<p>DMA Source transfer Length Register: This register contains the DMA source transfer length in unit of 4-byte word.</p> <p>A DMA command that consists of source address, destination address, source transfer length, and destination transfer length. It is important that the parameters are programmed in the exact sequence as described.</p>
<a href="#">DMA_DEST_LEN</a>	0x00000024	32	rw	0x00000000	<p>DMA Destination transfer Length Register: This register contains the DMA destination transfer length in unit of 4-byte word.</p> <p>A DMA command that consists of source address, destination address, source transfer length, and destination transfer length is accepted when this register is written to. It is important that the parameters are programmed in the exact sequence as described.</p>
<a href="#">ROM_SHADOW</a>	0x00000028	32	wo	0x00000000	<p>ROM Shadow Register: This register defines ROM shadow</p>
<a href="#">MULTIBOOT_ADDR</a>	0x0000002C	13	rw	0x00000000	<p>MULTI Boot Addr Pointer Register: This register defines multi-boot address pointer. This register is power on reset only used to remember multi-boot address pointer set by previous boot.</p>

Register Name	Address	Width	Type	Reset Value	Description
<a href="#">SW_ID</a>	0x00000030	32	mixed	0x00000000	Software ID Register: This register defines PS boot software ID. It will be used by firmware and software to perform consistent check for subsequent PS software and PL image loads. It is both readable and writeable after reset, and it becomes read only after system has entered user mode (bit 15 of reg 0x000 is set).
<a href="#">UNLOCK</a>	0x00000034	32	rw	0x00000000	Unlock Register: This register is used to protect the DEVCIF configuration registers from ROM code corruption. The boot ROM will unlock the DEVCIF by writing 0x757BDF0D to this register. Writing anything other than the unlock word to this register will cause an illegal access state and make the DEVCIF inaccessible until a system reset occurs.
<a href="#">MCTRL</a>	0x00000080	32	mixed	x	Miscellaneous control Register: This register contains miscellaneous controls.
<a href="#">XADCIF_CFG</a>	0x00000100	32	rw	0x00001114	XADC Interface Configuration Register : This register configures the XADC Interface operation
<a href="#">XADCIF_INT_STS</a>	0x00000104	32	mixed	0x00000200	XADC Interface Interrupt Status Register : This register contains the interrupt status flags of the XADC interface block. All register bits are clear on write by writing 1s to those bits, however the register bits will only be cleared if the condition that sets the interrupt flag is no longer true. Note that individual status bits will be set if the corresponding condition is satisfied regardless of whether the interrupt mask bit in 0x108 is set. However, external interrupt will only be generated if an interrupt status flag is set and the corresponding mask bit is not set

Register Name	Address	Width	Type	Reset Value	Description
<a href="#">XADCIF_INT_MASK</a>	0x00000108	32	rw	0xFFFFFFFF	XADC Interface Interrupt Mask Register : This register contains the interrupt mask information. Set a bit to 1 to mask the interrupt generation from the corresponding interrupting source in 0x104
<a href="#">XADCIF_MSTS</a>	0x0000010C	32	ro	0x00000500	XADC Interface miscellaneous Status Register : This register contains miscellaneous status of the XADC Interface
<a href="#">XADCIF_CMDFIFO</a>	0x00000110	32	wo	0x00000000	XADC Interface Command FIFO Register : This address is the entry point to the command FIFO. Commands get push into the FIFO when there is a write to this address
<a href="#">XADCIF_RDFIFO</a>	0x00000114	32	ro	0x00000000	XADC Interface Data FIFO Register : This address is the exit point of the read data FIFO. Read data is returned when there is a read from this address
<a href="#">XADCIF_MCTL</a>	0x00000118	32	rw	0x00000010	XADC Interface Miscellaneous Control Register : This register provides miscellaneous control of the XADC Interface.

### Register ([devcfg](#)) CTRL

Name	CTRL
Relative Address	0x00000000
Absolute Address	0xF8007000
Width	32 bits
Access Type	mixed
Reset Value	0x0C006000
Description	Control Register : This register defines basic control registers. Some of the register bits can be locked by control bits in the LOCK Register 0x004.

Register CTRL Details

Field Name	Bits	Type	Reset Value	Description
FORCE_RST	31	rw	0x0	Force the PS into secure lockdown. The secure lockdown state can only be cleared by issuing a PS_POR_B reset
PCFG_PROG_B	30	rw	0x0	Program Signal used to reset the PL. It acts as the PROG_B signal in the PL.
PCFG_POR_CNT_4K	29	rw	0x0	This register controls which POR timer the PL will use for power-up. 0 - Use 64k timer 1 - Use 4k timer
reserved	28	rw	0x0	Reserved
PCAP_PR	27	rw	0x1	After the initial configuration of the PL, a partial reconfiguration can be performed using either the ICAP or PCAP interface. These interfaces are mutually exclusive and cannot be used simultaneously. Switching between ICAP and PCAP is possible but users should ensure that no commands or data are being transmitted or received before changing interfaces. Failure to do this could lead to unexpected behavior. This bit selects between ICAP and PCAP for PL reconfiguration. 0 - ICAP is selected for reconfiguration 1 - PCAP is selected for reconfiguration
PCAP_MODE	26	rw	0x1	This bit enables the PCAP interface
QUARTER_PCAP_RATE_EN (PCAP_RATE_EN)	25	rw	0x0	This bit is used to reduce the PCAP data transmission to once every 4 clock cycles. This bit MUST be set when the AES engine is being used to decrypt configuration data for either the PS or PL. Setting this bit for non-encrypted PCAP data transmission is allowed but not recommended. 0 - PCAP data transmitted every clock cycle 1 - PCAP data transmitted every 4th clock cycle (must be used for encrypted data)
MULTIBOOT_EN	24	rw	0x0	This bit enables multi-boot out of reset. This bit is only cleared by a PS_POR_B reset, 0 - Boot from default boot image base address 1 - Boot from multi-boot offset address

Field Name	Bits	Type	Reset Value	Description
JTAG_CHAIN_DIS	23	rw	0x0	This bit is used to disable the JTAG scan chain. The primary purpose is to protect the PL from unwanted JTAG accesses. The JTAG connection to the PS DAP and PL TAP will be disabled when this bit is set.
reserved	22:16	rw	0x0	Reserved
reserved	15	wo	0x0	Reserved. Do not modify.
reserved	14	rw	0x1	Reserved - always write with 1
reserved	13	rw	0x1	Reserved - always write with 1
PCFG_AES_FUSE	12	rw	0x0	(Lockable, see 0x004, bit 4) This bit is used to select the AES key source 0 - BBRAM key 1 - eFuse key User access to this bit is restricted. The boot ROM will make the key selection and lock this bit during the initial boot sequence. This bit is only cleared by PS_POR_B reset.
PCFG_AES_EN	11:9	rw	0x0	(Lockable, see 0x004, bit 3) This bit enables the AES engine within the PL. The three bits need to be either all 0's or 1's, any inconsistency will lead to security lockdown. 000 - Disable AES engine 111 - Enable AES engine All others - Secure lockdown User access to this bit is restricted. The boot ROM will enable the AES engine for secure boot and will always lock this bit before passing control to user code. This bit is only cleared by PS_POR_B reset.
SEU_EN	8	rw	0x0	(Lockable, see 0x004, bit 2) This bit enables an automatic lockdown of the PS when a PL SEU is detected. 0 - Ignore SEU signal from PL 1 - Initiate secure lockdown when SEU signal received from PL This bit is sticky, once set it can only be cleared with a PS_POR_B reset.

Field Name	Bits	Type	Reset Value	Description
SEC_EN	7	ro	0x0	(Lockable, see 0x004, bit 1) This bit is used to indicate if the PS has been booted securely. 0 - PS was not booted securely 1 - PS was booted securely User access to this bit is restricted. The boot ROM will set this bit when a secure boot is initiated and will always lock the bit before passing control to user code. This bit is only cleared by PS_POR_B reset.
SPNIDEN	6	rw	0x0	(Lockable, see 0x004, bit 0) Secure Non-Invasive Debug Enable 0 - Disable 1 - Enable
SPIDEN	5	rw	0x0	(Lockable, see 0x004, bit 0) Secure Invasive Debug Enable 0 - Disable 1 - Enable
NIDEN	4	rw	0x0	(Lockable, see 0x004, bit 0) Non-Invasive Debug Enable 0 - Disable 1 - Enable
DBGEN	3	rw	0x0	(Lockable, see 0x004, bit 0) Invasive Debug Enable 0 - Disable 1 - Enable
DAP_EN	2:0	rw	0x0	(Lockable, see 0x004, bit 0) These bits will enable the ARM DAP. 111 - ARM DAP Enabled Others - ARM DAP will be bypassed

### Register ([devcfg](#)) LOCK

Name	LOCK
Relative Address	0x00000004
Absolute Address	0xF8007004
Width	32 bits
Access Type	mixed
Reset Value	0x00000000



Description This register defines LOCK register used to lock changes in the Control Register 0x000 after configuration. All those LOCK register is set only register. The only way to clear those registers is power on reset signal.

Register LOCK Details

Field Name	Bits	Type	Reset Value	Description
reserved	31:5	rw	0x0	Reserved
AES_FUSE_LOCK	4	rwso	0x0	This bit locks the PCFG_AES_FUSE bit (CTRL[12]). 0 - Open 1 - Locked User access to this bit is restricted, the boot ROM will always set this bit prior to handing control over to user code. This bit is only cleared by a PS_POR_B reset.
AES_EN_LOCK (AES_EN)	3	rwso	0x0	This bit locks the PCFG_AES_EN bits (CTRL[11:9]). 0 - Open 1 - Locked User access to this bit is restricted, the boot ROM will always set this bit prior to handing control over to user code. This bit is only cleared by a PS_POR_B reset.
SEU_LOCK (SEU)	2	rwso	0x0	This bit locks the SEU_EN bit (CTRL[8]). 0 - Open 1 - Locked This bit is only cleared by a PS_POR_B reset.
SEC_LOCK (SEC)	1	rwso	0x0	This bit locks the SEC_EN bit (CTRL[7]). 0 - Open 1 - Locked User access to this bit is restricted, the boot ROM will always set this bit prior to handing control over to user code. This bit is only cleared by a PS_POR_B reset.
DBG_LOCK (DBG)	0	rwso	0x0	This bit locks the debug enable bits, SPNIDEN, SPIDEN, NIDEN, DBGEN, DAP_EN (CTRL[6:0]). 0 - Open 1 - Locked DBG_LOCK should only be used to prevent the debug access from being enabled. If DBG_LOCK is set and a soft-reset is issued, then the DAP_EN bits in the CTRL register (0x000) cannot be enabled until a power-on-reset is performed. This bit is only cleared by a PS_POR_B reset.

### Register ([devcfg](#)) CFG

Name	CFG
Relative Address	0x00000008
Absolute Address	0xF8007008
Width	32 bits
Access Type	rw
Reset Value	0x00000508
Description	Configuration Register : This register contains configuration information for the AXI transfers, and other general setup.

#### Register CFG Details

Field Name	Bits	Type	Reset Value	Description
reserved	31:12	rw	0x0	Reserved
RFIFO_TH	11:10	rw	0x1	These two bits define Rx FIFO level that sets interrupt flag 00 - One fourth full for read 01 - Half full for read 10 - Three fourth full for read 11 - Full for read(User could use this signal to trigger interrupt when read FIFO overflow)
WFIFO_TH	9:8	rw	0x1	These two bits define Tx FIFO level that sets interrupt flag 00 - One fourth empty for write 01 - Half empty for write 10 - Three fourth empty for write 11 - Empty for write
RCLK_EDGE	7	rw	0x0	Read data active clock edge 0 - Falling edge 1 - Rising edge
WCLK_EDGE	6	rw	0x0	Write data active clock edge 0 - Falling edge 1 - Rising edge
DISABLE_SRC_INC	5	rw	0x0	Disable automatic DMA AXI source address increment, if set, to allow AXI read from a keyhole address
DISABLE_DST_INC	4	rw	0x0	Disable automatic DMA AXI destination address increment, if set, to allow AXI read from a keyhole address
reserved	3	rw	0x1	Reserved. Do not modify.

Field Name	Bits	Type	Reset Value	Description
reserved	2	rw	0x0	Reserved. Do not modify.
reserved	1	rw	0x0	Reserved. Do not modify.
reserved	0	rw	0x0	Reserved. Do not modify.

### Register ([devcfg](#)) INT\_STS

Name	INT_STS
Relative Address	0x0000000C
Absolute Address	0xF800700C
Width	32 bits
Access Type	mixed
Reset Value	0x00000000
Description	<p>Interrupt Status Register : This register contains interrupt status flags.</p> <p>All register bits are clear on write by writing 1s to those bits, however the register bits will only be cleared if the condition that sets the interrupt flag is no longer true.</p> <p>Note that individual status bits will be set if the corresponding condition is satisfied regardless of whether the interrupt mask bit in 0x010 is set.</p> <p>However, external interrupt will only be generated if an interrupt status flag is set and the corresponding mask bit is not set</p>

### Register INT\_STS Details

Field Name	Bits	Type	Reset Value	Description
PSS_GTS_USR_B_INT	31	wtc	0x0	Tri-state PL IO during HIZ, both edges
PSS_FST_CFG_B_INT	30	wtc	0x0	First configuration done, both edges
PSS_GPWRDWN_B_INT	29	wtc	0x0	Global power down, both edges
PSS_GTS_CFG_B_INT	28	wtc	0x0	Tri-state PL IO during configuration, both edges
PSS_CFG_RESET_B_INT	27	wtc	0x0	PL configuration reset, both edges
reserved	26:24	rw	0x0	Reserved
AXI_WTO_INT (IXR_AXI_WTO)	23	wtc	0x0	AXI write address, data or response time out. AXI write is taking longer than expected (> 6144 cpu_1x clock cycles), this can be an indication of starvation
AXI_WERR_INT (IXR_AXI_WERR)	22	wtc	0x0	AXI write response error

Field Name	Bits	Type	Reset Value	Description
AXI_RTO_INT (IXR_AXI_RTO)	21	wtc	0x0	AXI read address or response time out. AXI read is taking longer than expected (> 2048 cpu_1x clock cycles), this can be an indication of starvation
AXI_RERR_INT (IXR_AXI_RERR)	20	wtc	0x0	AXI read response error
reserved	19	rw	0x0	Reserved
RX_FIFO_OV_INT (IXR_RX_FIFO_OV)	18	wtc	0x0	This bit is used to indicate that RX FIFO overflows. Incoming read data from PCAP will be dropped and the DEVCIDMA may enter an unrecoverable state
WR_FIFO_LVL_INT (IXR_WR_FIFO_LVL)	17	wtc	0x0	Tx FIFO level < threshold, see reg 0x008
RD_FIFO_LVL_INT (IXR_RD_FIFO_LVL)	16	wtc	0x0	Rx FIFO level >= threshold, see reg 0x008
DMA_CMD_ERR_INT (IXR_DMA_CMD_ERR )	15	wtc	0x0	Illegal DMA command
DMA_Q_OV_INT (IXR_DMA_Q_OV)	14	wtc	0x0	DMA command queue overflows
DMA_DONE_INT (IXR_DMA_DONE)	13	wtc	0x0	This bit is used to indicate a DMA command is done. The bit is set either as soon as DMA is done (PCAP may not be finished) or both DMA and PCAP are done.
D_P_DONE_INT (IXR_D_P_DONE)	12	wtc	0x0	Both DMA and PCAP transfers are done for intermediate and final transfers.
P2D_LEN_ERR_INT (IXR_P2D_LEN_ERR)	11	wtc	0x0	Inconsistent PCAP to DMA transfer length error
reserved	10:7	rw	0x0	Reserved
PCFG_HMAC_ERR_I NT (IXR_PCFG_HMAC_E RR)	6	wtc	0x0	Triggers when an HMAC error is received from the PL
PCFG_SEU_ERR_INT (IXR_PCFG_SEU_ERR)	5	wtc	0x0	Triggers when an SEU error is received from the PL
PCFG_POR_B_INT (IXR_PCFG_POR_B)	4	wtc	0x0	Triggers if the PL loses power, PL POR_B signal goes low
PCFG_CFG_RST_INT (IXR_PCFG_CFG_RST)	3	wtc	0x0	Triggers if the PL configuration controller is under reset

Field Name	Bits	Type	Reset Value	Description
PCFG_DONE_INT (IXR_PCFG_DONE)	2	wtc	0x0	DONE signal from PL indicating that programming is complete and PL is in user mode.
PCFG_INIT_PE_INT (IXR_PCFG_INIT_PE)	1	wtc	0x0	Triggered on the positive edge of the PL INIT signal
PCFG_INIT_NE_INT (IXR_PCFG_INIT_NE)	0	wtc	0x0	Triggered on the negative edge of the PL INIT signal

### Register ([devcfg](#)) INT\_MASK

Name	INT_MASK
Relative Address	0x00000010
Absolute Address	0xF8007010
Width	32 bits
Access Type	rw
Reset Value	0xFFFFFFFF
Description	Interrupt Mask Register: This register contains interrupt mask information. Set a bit to 1 to mask the interrupt generation from the corresponding interrupting source in Interrupt Status Register 0x00C.

### Register INT\_MASK Details

Field Name	Bits	Type	Reset Value	Description
M_PSS_GTS_USR_B_I NT	31	rw	0x1	Interrupt mask for tri-state IO during HIZ, both edges
M_PSS_FST_CFG_B_I NT	30	rw	0x1	Interrupt mask for first config done, both edges
M_PSS_GPWRDWN_B _INT	29	rw	0x1	Interrupt mask for global power down, both edges
M_PSS_GTS_CFG_B_I NT	28	rw	0x1	Interrupt mask for tri-state IO in config, both edges
M_PSS_CFG_RESET_B _INT	27	rw	0x1	Interrupt mask for config reset, both edges
reserved	26:24	rw	0x7	Reserved
M_AXI_WTO_INT (IXR_AXI_WTO)	23	rw	0x1	Interrupt mask for AXI write time out interrupt
M_AXI_WERR_INT (IXR_AXI_WERR)	22	rw	0x1	Interrupt mask for AXI write response error interrupt
M_AXI_RTO_INT (IXR_AXI_RTO)	21	rw	0x1	Interrupt mask for AXI read time out interrupt

Field Name	Bits	Type	Reset Value	Description
M_AXI_RERR_INT (IXR_AXI_RERR)	20	rw	0x1	Interrupt mask for AXI read response error interrupt
reserved	19	rw	0x1	Reserved
M_RX_FIFO_OV_INT (IXR_RX_FIFO_OV)	18	rw	0x1	Interrupt mask for Rx FIFO overflow interrupt
M_WR_FIFO_LVL_INT (IXR_WR_FIFO_LVL)	17	rw	0x1	Interrupt mask for Tx FIFO level < threshold interrupt
M_RD_FIFO_LVL_INT (IXR_RD_FIFO_LVL)	16	rw	0x1	Interrupt mask for Rx FIFO level > threshold interrupt
M_DMA_CMD_ERR_INT (IXR_DMA_CMD_ERR)	15	rw	0x1	Interrupt mask for illegal DMA command interrupt
M_DMA_FIFO_OV_INT (IXR_DMA_Q_OV)	14	rw	0x1	Interrupt mask for DMA command FIFO overflows
M_DMA_DONE_INT (IXR_DMA_DONE)	13	rw	0x1	Interrupt mask for DMA command done interrupt
M_D_P_DONE_INT (IXR_D_P_DONE)	12	rw	0x1	Interrupt mask for DMA and PCAP done interrupt
M_P2D_LEN_ERR_INT (IXR_P2D_LEN_ERR)	11	rw	0x1	Interrupt mask Inconsistent xfer length error interrupt
reserved	10:7	rw	0xF	Reserved
M_PCFG_HMAC_ERR_INT (IXR_PCFG_HMAC_ERR)	6	rw	0x1	Interrupt mask for HMAC error
M_PCFG_SEU_ERR_INT (IXR_PCFG_SEU_ERR)	5	rw	0x1	Interrupt mask for PCFG_SEU_ERR interrupt
M_PCFG_POR_B_INT (IXR_PCFG_POR_B)	4	rw	0x1	Interrupt mask for PCFG_POR_B Interrupt
M_PCFG_CFG_RST_INT (IXR_PCFG_CFG_RST)	3	rw	0x1	Interrupt mask for PCFG_CFG_RESET interrupt
M_PCFG_DONE_INT (IXR_PCFG_DONE)	2	rw	0x1	Interrupt mask for PCFG_DONE interrupt

Field Name	Bits	Type	Reset Value	Description
M_PCFG_INIT_PE_INT (IXR_PCFG_INIT_PE)	1	rw	0x1	Interrupt mask for PCFG_INIT_PE interrupt
M_PCFG_INIT_NE_INT (IXR_PCFG_INIT_NE)	0	rw	0x1	Interrupt mask for PCFG_INIT_NE interrupt

### Register ([devcfg](#)) STATUS

Name	STATUS
Relative Address	0x00000014
Absolute Address	0xF8007014
Width	32 bits
Access Type	mixed
Reset Value	0x40000820
Description	Status Register: This register contains miscellaneous status.

#### Register STATUS Details

Field Name	Bits	Type	Reset Value	Description
DMA_CMD_Q_F	31	ro	0x0	DMA command queue full, if set
DMA_CMD_Q_E	30	ro	0x1	DMA command queue empty, if set
DMA_DONE_CNT	29:28	clon wr	0x0	Number of completed DMA transfers that have not been acknowledged by software: 00 - all finished transfers have been acknowledged 01 - one finished transfer outstanding 10 - two finished transfers outstanding 11 - three or more finished transfers outstanding A finished transfer is acknowledged by clearing the DMA_DONE_INT interrupt status flag of the interrupt status register 0x00C. This count is cleared by writing a 1 to either bit location.
reserved	27:25	rw	0x0	Reserved
RX_FIFO_LVL	24:20	ro	0x0	This register is used to indicate how many valid 32-Bit words in the Rx FIFO, max. is 31
reserved	19	rw	0x0	Reserved
TX_FIFO_LVL	18:12	ro	0x0	This register is used to indicate how many valid 32-Bit words in the Tx FIFO, max. is 127

Field Name	Bits	Type	Reset Value	Description
PSS_GTS_USR_B	11	ro	0x1	Tri-state IO during HIZ, active low
PSS_FST_CFG_B	10	ro	0x0	First PL configuration done, active low.
PSS_GPWRDWN_B	9	ro	0x0	Global power down, active low
PSS_GTS_CFG_B	8	ro	0x0	Tri-state IO during config, active low. This signal will only be low when the PL CFG block is being used to configure the PL. 0 - IO are tri-stated by CFG block
SECURE_RST	7	ro	0x0	This bit is used to indicate a secure lockdown. Can only be cleared by a PS_POR_B reset.
ILLEGAL_APB_ACCE SS	6	ro	0x0	Indicates the UNLOCK register was not written with the correct unlock word. If set all secure boot features will be disabled, the DAP will be disabled and writing to the DEVCI registers will be disabled. The illegal access mode can only be cleared with a PS_POR_B reset.
PSS_CFG_RESET_B	5	ro	0x1	PL configuration reset, active low.
PCFG_INIT	4	ro	0x0	PL INIT signal, indicates when housecleaning is done and the PL is ready to receive PCAP data. Positive and negative edges of the signal generate maskable interrupts in 0x00C.
EFUSE_BBRAM_KEY_ DISABLE (EFUSE_SW_RESERVE )	3	ro	0x0	When this eFuse is blown, the BBRAM AES key is disabled. If the device is booted securely, the eFuse key must be used.
EFUSE_SEC_EN	2	ro	0x0	When this eFuse is blown, the Zynq device must boot securely and use the eFuse as the AES key source. Non-secure boot will cause a security lockdown.
EFUSE_JTAG_DIS	1	ro	0x0	When this eFuse is blown, the ARM DAP controller is permanently set in bypass mode. Any attempt to activate the DAP will cause a security lockdown.
reserved	0	ro	0x0	Reserved. Do not modify.

### Register ([devcfg](#)) DMA\_SRC\_ADDR

Name	DMA_SRC_ADDR
Relative Address	0x00000018
Absolute Address	0xF8007018
Width	32 bits



Access Type rw  
 Reset Value 0x00000000  
 Description DMA Source address Register: This register contains the source address for DMA transfer.  
 A DMA command consists of source address, destination address, source transfer length, and destination transfer length.  
 It is important that the parameters are programmed in the exact sequence as described

Register DMA\_SRC\_ADDR Details

Field Name	Bits	Type	Reset Value	Description
SRC_ADDR	31:0	rw	0x0	Source address for DMA transfer of AXI read. Setting SRC_ADDR[1:0] and DST_ADDR[1:0] to 2'b01 will cause the DMA engine to hold the DMA DONE interrupt until both the AXI and PCAP interfaces are done with the data transfer. Otherwise the interrupt will trigger as soon as the AXI interface is done.

Register ([devcfg](#)) DMA\_DST\_ADDR

Name DMA\_DST\_ADDR  
 Software Name DMA\_DEST\_ADDR  
 Relative Address 0x0000001C  
 Absolute Address 0xF800701C  
 Width 32 bits  
 Access Type rw  
 Reset Value 0x00000000  
 Description DMA Destination address Register: This register contains the destination address for DMA transfer.  
 A DMA command consists of source address, destination address, source transfer length, and destination transfer length.  
 It is important that the parameters are programmed in the exact sequence as described.

Register DMA\_DST\_ADDR Details

Field Name	Bits	Type	Reset Value	Description
DST_ADDR	31:0	rw	0x0	Destination address for DMA transfer of AXI write. Setting SRC_ADDR[1:0] and DST_ADDR[1:0] to 2'b01 will cause the DMA engine to hold the DMA DONE interrupt until both the AXI and PCAP interfaces are done with the data transfer. Otherwise the interrupt will trigger as soon as the AXI interface is done.

Register ([devcfg](#)) DMA\_SRC\_LEN

Name	DMA_SRC_LEN
Relative Address	0x00000020
Absolute Address	0xF8007020
Width	32 bits
Access Type	rw
Reset Value	0x00000000
Description	DMA Source transfer Length Register: This register contains the DMA source transfer length in unit of 4-byte word. A DMA command that consists of source address, destination address, source transfer length, and destination transfer length. It is important that the parameters are programmed in the exact sequence as described.

Register DMA\_SRC\_LEN Details

Field Name	Bits	Type	Reset Value	Description
reserved	31:27	rw	0x0	Reserved
LEN (DMA_LEN)	26:0	rw	0x0	Up to 512MB data

Register ([devcfg](#)) DMA\_DEST\_LEN

Name	DMA_DEST_LEN
Relative Address	0x00000024
Absolute Address	0xF8007024
Width	32 bits
Access Type	rw
Reset Value	0x00000000

**Description** DMA Destination transfer

Length Register: This register contains the DMA destination transfer length in unit of 4-byte word.

A DMA command that consists of source address, destination address, source transfer length, and destination transfer length is accepted when this register is written to.

It is important that the parameters are programmed in the exact sequence as described.

Register DMA\_DEST\_LEN Details

Field Name	Bits	Type	Reset Value	Description
reserved	31:27	rw	0x0	Reserved
LEN (DMA_LEN)	26:0	rw	0x0	Up to 512MB data

Register ([devcfg](#)) ROM\_SHADOW

Name ROM\_SHADOW

Relative Address 0x00000028

Absolute Address 0xF8007028

Width 32 bits

Access Type wo

Reset Value 0x00000000

Description ROM Shadow Register: This register defines ROM shadow

Register ROM\_SHADOW Details

Field Name	Bits	Type	Reset Value	Description
reserved	31:0	wo	0x0	Reserved. Do not modify.

Register ([devcfg](#)) MULTIBOOT\_ADDR

Name MULTIBOOT\_ADDR

Relative Address 0x0000002C

Absolute Address 0xF800702C

Width 13 bits

Access Type rw

Reset Value 0x00000000

**Description** MULTI Boot Addr Pointer Register: This register defines multi-boot address pointer. This register is power on reset only used to remember multi-boot address pointer set by previous boot.

Register MULTIBOOT\_ADDR Details

Field Name	Bits	Type	Reset Value	Description
MULTIBOOT_ADDR	12:0	rw	0x0	Multi-Boot offset address

Register ([devcfg](#)) SW\_ID

**Name** SW\_ID  
**Relative Address** 0x00000030  
**Absolute Address** 0xF8007030  
**Width** 32 bits  
**Access Type** mixed  
**Reset Value** 0x00000000  
**Description** Software ID Register: This register defines PS boot software ID. It will be used by firmware and software to perform consistent check for subsequent PS software and PL image loads. It is both readable and writeable after reset, and it becomes read only after system has entered user mode (bit 15 of reg 0x000 is set).

Register SW\_ID Details

Field Name	Bits	Type	Reset Value	Description
SW_ID	31:0	rw,ro	0x0	Software ID

Register ([devcfg](#)) UNLOCK

**Name** UNLOCK  
**Relative Address** 0x00000034  
**Absolute Address** 0xF8007034  
**Width** 32 bits  
**Access Type** rw  
**Reset Value** 0x00000000  
**Description** Unlock Register: This register is used to protect the DEVCI configuration registers from ROM code corruption.  
 The boot ROM will unlock the DEVCI by writing 0x757BDF0D to this register.  
 Writing anything other than the unlock word to this register will cause an illegal access state and make the DEVCI inaccessible until a system reset occurs.

Register UNLOCK Details

Field Name	Bits	Type	Reset Value	Description
UNLOCK	31:0	rw	0x0	Unlock value.

Register ([devcfg](#)) MCTRL

Name	MCTRL
Relative Address	0x00000080
Absolute Address	0xF8007080
Width	32 bits
Access Type	mixed
Reset Value	x
Description	Miscellaneous control Register: This register contains miscellaneous controls.

Register MCTRL Details

Field Name	Bits	Type	Reset Value	Description
PS_VERSION	31:28	ro	x	Version ID for silicon 0x0 = 1.0 Silicon 0x1 = 2.0 Silicon 0x2 = 3.0 Silicon 0x3 = 3.1 Silicon
reserved	27	ro	0x0	Reserved. Do not modify.
reserved	26	ro	0x0	Reserved. Do not modify.
reserved	25	ro	0x0	Reserved. Do not modify.
reserved	24	ro	0x0	Reserved. Do not modify.
reserved	23	rw	0x1	Reserved - always write with 1
reserved	22:14	rw	0x0	Reserved
reserved	13	rw	0x0	Reserved. Do not modify.
reserved	12	rw	0x0	Reserved. Do not modify.
reserved	11:9	rw	0x0	Reserved
PCFG_POR_B	8	ro	0x0	PL POR_B signal used to determine power-up status of PL.
reserved	7:5	rw	0x0	Reserved
INT_PCAP_LPBK (PCAP_LPBK)	4	rw	0x0	Internal PCAP loopback, if set
reserved	3:2	rw	0x0	Reserved

Field Name	Bits	Type	Reset Value	Description
reserved	1	rw	0x0	Reserved - always write with 0
reserved	0	rw	0x0	Reserved - always write with 0

### Register ([devcfg](#)) XADCIF\_CFG

Name	XADCIF_CFG
Relative Address	0x00000100
Absolute Address	0xF8007100
Width	32 bits
Access Type	rw
Reset Value	0x00001114
Description	XADC Interface Configuration Register : This register configures the XADC Interface operation

#### Register XADCIF\_CFG Details

Field Name	Bits	Type	Reset Value	Description
ENABLE	31	rw	0x0	Enable PS access of the XADC, if set
reserved	30:24	rw	0x0	Reserved
CFIFOTH	23:20	rw	0x0	Command FIFO level threshold. Interrupt status flag is set if the FIFO level is less than or equal to the threshold
DFIFOTH	19:16	rw	0x0	Data FIFO level threshold. Interrupt status flag is set if FIFO level is greater than the threshold
reserved	15:14	rw	0x0	Reserved
WEDGE	13	rw	0x0	Write launch edge : 0 - Falling edge 1 - Rising edge
REDGE	12	rw	0x1	Read capture edge : 0 - Falling edge 1 - Rising edge
reserved	11:10	rw	0x0	Reserved

Field Name	Bits	Type	Reset Value	Description
TCKRATE	9:8	rw	0x1	XADC clock frequency control. The base frequency is pcap_2x clock which has a nominal frequency of 200 MHz. 00 - 1/2 of pcap_2x clock frequency 01 - 1/4 of pcap_2x clock frequency 10 - 1/8 of pcap_2x clock frequency 11 - 1/16 of pcap_2x clock frequency
reserved	7:5	rw	0x0	Reserved
IGAP	4:0	rw	0x14	Minimum idle gap between successive commands. Default is 20 cycles, the minimum required by the XADC is 10.

### Register ([devcfg](#)) XADCIF\_INT\_STS

Name	XADCIF_INT_STS
Relative Address	0x00000104
Absolute Address	0xF8007104
Width	32 bits
Access Type	mixed
Reset Value	0x00000200
Description	<p>XADC Interface Interrupt Status Register : This register contains the interrupt status flags of the XADC interface block.</p> <p>All register bits are clear on write by writing 1s to those bits, however the register bits will only be cleared if the condition that sets the interrupt flag is no longer true.</p> <p>Note that individual status bits will be set if the corresponding condition is satisfied regardless of whether the interrupt mask bit in 0x108 is set.</p> <p>However, external interrupt will only be generated if an interrupt status flag is set and the corresponding mask bit is not set</p>

#### Register XADCIF\_INT\_STS Details

Field Name	Bits	Type	Reset Value	Description
reserved	31:10	rw	0x0	Reserved
CFIFO_LTH	9	wtc	0x1	Command FIFO level less than or equal to the threshold (see register 0x100).
DFIFO_GTH	8	wtc	0x0	Data FIFO level greater than threshold (see register 0x100).

Field Name	Bits	Type	Reset Value	Description
OT	7	wtc	0x0	Over temperature alarm from XADC. This is a latched version of the raw signal which is also available in register 0x10C
ALM	6:0	wtc	0x0	Alarm signals from XADC. These are latched version of the raw input alarm signals which are also available in register 0x10C

### Register ([devcfg](#)) XADCIF\_INT\_MASK

Name	XADCIF_INT_MASK
Relative Address	0x00000108
Absolute Address	0xF8007108
Width	32 bits
Access Type	rw
Reset Value	0xFFFFFFFF
Description	XADC Interface Interrupt Mask Register : This register contains the interrupt mask information. Set a bit to 1 to mask the interrupt generation from the corresponding interrupting source in 0x104

#### Register XADCIF\_INT\_MASK Details

Field Name	Bits	Type	Reset Value	Description
reserved	31:10	rw	0x3FFFFFF	Reserved
M_CFIFO_LTH	9	rw	0x1	Interrupt mask for command FIFO level threshold interrupt.
M_DFIFO_GTH	8	rw	0x1	Interrupt mask Data FIFO level greater than threshold interrupt.
M_OT	7	rw	0x1	Interrupt mask for over temperature alarm interrupt
M_ALM	6:0	rw	0x7F	Interrupt mask for alarm signals from XADC.

### Register ([devcfg](#)) XADCIF\_MSTS

Name	XADCIF_MSTS
Relative Address	0x0000010C
Absolute Address	0xF800710C
Width	32 bits
Access Type	ro



Reset Value 0x00000500  
 Description XADC Interface miscellaneous Status Register : This register contains miscellaneous status of the XADC Interface

Register XADCIF\_MSTS Details

Field Name	Bits	Type	Reset Value	Description
reserved	31:20	ro	0x0	Reserved
CFIFO_LVL	19:16	ro	0x0	Command FIFO level.
DFIFO_LVL	15:12	ro	0x0	Data FIFO level.
CFIFO	11	ro	0x0	Command FIFO full.
CFIFOE	10	ro	0x1	Command FIFO empty.
DFIFO	9	ro	0x0	Data FIFO full.
DFIFOE	8	ro	0x1	Data FIFO empty.
OT	7	ro	0x0	Raw over temperature alarm from the XADC. Latched version of the signal is available in the interrupt status register.
ALM	6:0	ro	0x0	Raw alarm signals from the XADC. Latched version of the signals are available in the interrupt status register.

Register ([devcfg](#)) XADCIF\_CMDFIFO

Name XADCIF\_CMDFIFO  
 Relative Address 0x00000110  
 Absolute Address 0xF8007110  
 Width 32 bits  
 Access Type wo  
 Reset Value 0x00000000  
 Description XADC Interface Command FIFO Register : This address is the entry point to the command FIFO.  
 Commands get push into the FIFO when there is a write to this address

Register XADCIF\_CMDFIFO Details

Field Name	Bits	Type	Reset Value	Description
CMD	31:0	wo	0x0	32-bit command.

### Register ([devcfg](#)) XADCIF\_RDFIFO

Name	XADCIF_RDFIFO
Relative Address	0x00000114
Absolute Address	0xF8007114
Width	32 bits
Access Type	ro
Reset Value	0x00000000
Description	XADC Interface Data FIFO Register : This address is the exit point of the read data FIFO. Read data is returned when there is a read from this address

#### Register XADCIF\_RDFIFO Details

Field Name	Bits	Type	Reset Value	Description
RDDATA	31:0	ro	0x0	32-bit read data.

### Register ([devcfg](#)) XADCIF\_MCTL

Name	XADCIF_MCTL
Relative Address	0x00000118
Absolute Address	0xF8007118
Width	32 bits
Access Type	rw
Reset Value	0x00000010
Description	XADC Interface Miscellaneous Control Register : This register provides miscellaneous control of the XADC Interface.

#### Register XADCIF\_MCTL Details

Field Name	Bits	Type	Reset Value	Description
reserved	31:5	rw	0x0	Reserved
RESET	4	rw	0x1	This bit will reset the communication channel between the PS and XADC. If set, the PS-XADC communication channel will remain in reset until a 0 is written to this bit.
reserved	3:1	rw	0x0	Reserved
reserved	0	rw	0x0	Reserved - always write with 0

## B.17 DMA Controller (dmac)

Module Name	DMA Controller (dmac)
Software Name	XDMAPS
Base Address	0xF8004000 dmac0_ns 0xF8003000 dmac0_s
Description	Direct Memory Access Controller, PL330
Vendor Info	ARM PL330

### Register Summary

Register Name	Address	Width	Type	Reset Value	Description
<a href="#">DSR</a>	0x00000000	32	mixed	0x00000000	DMA Manager Status
<a href="#">DPC</a>	0x00000004	32	mixed	0x00000000	DMA Program Counter
<a href="#">INTEN</a>	0x00000020	32	mixed	0x00000000	DMASEV Instruction Response Control
<a href="#">INT_EVENT_RIS</a>	0x00000024	32	mixed	0x00000000	Event Interrupt Raw Status
<a href="#">INTMIS</a>	0x00000028	32	mixed	0x00000000	Interrupt Status
<a href="#">INTCLR</a>	0x0000002C	32	mixed	0x00000000	Interrupt Clear
<a href="#">FSRD</a>	0x00000030	32	mixed	0x00000000	Fault Status DMA Manager
<a href="#">FSRC</a>	0x00000034	32	mixed	0x00000000	Fault Status DMA Channel
<a href="#">FTRD</a>	0x00000038	32	mixed	0x00000000	Fault Type DMA Manager
<a href="#">FTR0</a>	0x00000040	32	mixed	0x00000000	Default Type DMA Channel 0
<a href="#">FTR1</a>	0x00000044	32	mixed	0x00000000	Default Type DMA Channel 1
<a href="#">FTR2</a>	0x00000048	32	mixed	0x00000000	Default Type DMA Channel 2
<a href="#">FTR3</a>	0x0000004C	32	mixed	0x00000000	Default Type DMA Channel 3
<a href="#">FTR4</a>	0x00000050	32	mixed	0x00000000	Default Type DMA Channel 4
<a href="#">FTR5</a>	0x00000054	32	mixed	0x00000000	Default Type DMA Channel 5
<a href="#">FTR6</a>	0x00000058	32	mixed	0x00000000	Default Type DMA Channel 6
<a href="#">FTR7</a>	0x0000005C	32	mixed	0x00000000	Default Type DMA Channel 7
<a href="#">CSR0</a>	0x00000100	32	mixed	0x00000000	Channel Status DMA Channel 0
<a href="#">CPC0</a>	0x00000104	32	mixed	0x00000000	Channel PC for DMA Channel 0
<a href="#">CSR1</a>	0x00000108	32	mixed	0x00000000	Channel Status DMA Channel 1
<a href="#">CPC1</a>	0x0000010C	32	mixed	0x00000000	Channel PC for DMA Channel 1
<a href="#">CSR2</a>	0x00000110	32	mixed	0x00000000	Channel Status DMA Channel 2

Register Name	Address	Width	Type	Reset Value	Description
<a href="#">CPC2</a>	0x00000114	32	mixed	0x00000000	Channel PC for DMA Channel 2
<a href="#">CSR3</a>	0x00000118	32	mixed	0x00000000	Channel Status DMA Channel 3
<a href="#">CPC3</a>	0x0000011C	32	mixed	0x00000000	Channel PC for DMA Channel 3
<a href="#">CSR4</a>	0x00000120	32	mixed	0x00000000	Channel Status DMA Channel 4
<a href="#">CPC4</a>	0x00000124	32	mixed	0x00000000	Channel PC for DMA Channel 4
<a href="#">CSR5</a>	0x00000128	32	mixed	0x00000000	Channel Status DMA Channel 5
<a href="#">CPC5</a>	0x0000012C	32	mixed	0x00000000	Channel PC for DMA Channel 5
<a href="#">CSR6</a>	0x00000130	32	mixed	0x00000000	Channel Status DMA Channel 6
<a href="#">CPC6</a>	0x00000134	32	mixed	0x00000000	Channel PC for DMA Channel 6
<a href="#">CSR7</a>	0x00000138	32	mixed	0x00000000	Channel Status DMA Channel 7
<a href="#">CPC7</a>	0x0000013C	32	mixed	0x00000000	Channel PC for DMA Channel 7
<a href="#">SAR0</a>	0x00000400	32	mixed	0x00000000	Source Address DMA Channel 0
<a href="#">DAR0</a>	0x00000404	32	mixed	0x00000000	Destination Addr DMA Channel 0
<a href="#">CCR0</a>	0x00000408	32	mixed	dmac0_ns: 0x00000000 dmac0_s: 0x00800200	Channel Control DMA Channel 0
<a href="#">LC0_0</a>	0x0000040C	32	mixed	0x00000000	Loop Counter 0 DMA Channel 0
<a href="#">LC1_0</a>	0x00000410	32	mixed	0x00000000	Loop Counter 1 DMA Channel 0
<a href="#">SAR1</a>	0x00000420	32	mixed	0x00000000	Source address DMA Channel 1
<a href="#">DAR1</a>	0x00000424	32	mixed	0x00000000	Destination Addr DMA Channel 1
<a href="#">CCR1</a>	0x00000428	32	mixed	dmac0_ns: 0x00000000 dmac0_s: 0x00800200	Channel Control DMA Channel 1
<a href="#">LC0_1</a>	0x0000042C	32	mixed	0x00000000	Loop Counter 0 DMA Channel 1
<a href="#">LC1_1</a>	0x00000430	32	mixed	0x00000000	Loop Counter 1 DMA Channel 1
<a href="#">SAR2</a>	0x00000440	32	mixed	0x00000000	Source Address DMA Channel 2
<a href="#">DAR2</a>	0x00000444	32	mixed	0x00000000	Destination Addr DMA Channel 2
<a href="#">CCR2</a>	0x00000448	32	mixed	dmac0_ns: 0x00000000 dmac0_s: 0x00800200	Channel Control DMA Channel 2
<a href="#">LC0_2</a>	0x0000044C	32	mixed	0x00000000	Loop Counter 0 DMA Channel 2
<a href="#">LC1_2</a>	0x00000450	32	mixed	0x00000000	Loop Counter 1 DMA Channel 2

Register Name	Address	Width	Type	Reset Value	Description
<a href="#">SAR3</a>	0x00000460	32	mixed	0x00000000	Source Address DMA Channel 3
<a href="#">DAR3</a>	0x00000464	32	mixed	0x00000000	Destination Addr DMA Channel 3
<a href="#">CCR3</a>	0x00000468	32	mixed	dmac0_ns: 0x00000000 dmac0_s: 0x00800200	Channel Control DMA Channel 3
<a href="#">LC0_3</a>	0x0000046C	32	mixed	0x00000000	Loop Counter 0 DMA Channel 3
<a href="#">LC1_3</a>	0x00000470	32	mixed	0x00000000	Loop Counter 1 DMA Channel 3
<a href="#">SAR4</a>	0x00000480	32	mixed	0x00000000	Source Address DMA Channel 4
<a href="#">DAR4</a>	0x00000484	32	mixed	0x00000000	Destination Addr DMA Channel 4
<a href="#">CCR4</a>	0x00000488	32	mixed	dmac0_ns: 0x00000000 dmac0_s: 0x00800200	Channel Control DMA Channel 4
<a href="#">LC0_4</a>	0x0000048C	32	mixed	0x00000000	Loop Counter 0 DMA Channel 4
<a href="#">LC1_4</a>	0x00000490	32	mixed	0x00000000	Loop Counter 1 DMA Channel 4
<a href="#">SAR5</a>	0x000004A0	32	mixed	0x00000000	Source Address DMA Channel 5
<a href="#">DAR5</a>	0x000004A4	32	mixed	0x00000000	Destination Addr DMA Channel 5
<a href="#">CCR5</a>	0x000004A8	32	mixed	dmac0_ns: 0x00000000 dmac0_s: 0x00800200	Channel Control DMA Channel 5
<a href="#">LC0_5</a>	0x000004AC	32	mixed	0x00000000	Loop Counter 0 DMA Channel 5
<a href="#">LC1_5</a>	0x000004B0	32	mixed	0x00000000	Loop Counter 1 DMA Channel 5
<a href="#">SAR6</a>	0x000004C0	32	mixed	0x00000000	Source Address DMA Channel 6
<a href="#">DAR6</a>	0x000004C4	32	mixed	0x00000000	Destination Addr DMA Channel 6
<a href="#">CCR6</a>	0x000004C8	32	mixed	dmac0_ns: 0x00000000 dmac0_s: 0x00800200	Channel Control DMA Channel 6
<a href="#">LC0_6</a>	0x000004CC	32	mixed	0x00000000	Loop Counter 0 DMA Channel 6
<a href="#">LC1_6</a>	0x000004D0	32	mixed	0x00000000	Loop Counter 1 DMA Channel 6
<a href="#">SAR7</a>	0x000004E0	32	mixed	0x00000000	Source Address DMA Channel 7
<a href="#">DAR7</a>	0x000004E4	32	mixed	0x00000000	Destination Addr DMA Channel 7

Register Name	Address	Width	Type	Reset Value	Description
<a href="#">CCR7</a>	0x000004E8	32	mixed	dmac0_ns: 0x00000000 dmac0_s: 0x00800200	Channel Control DMA Channel 7
<a href="#">LC0_7</a>	0x000004EC	32	mixed	0x00000000	Loop Counter 0 DMA Channel 7
<a href="#">LC1_7</a>	0x000004F0	32	mixed	0x00000000	Loop Counter 1 DMA Channel 7
<a href="#">DBGSTATUS</a>	0x00000D00	32	mixed	0x00000000	DMA Manager Execution Status
<a href="#">DBGCMD</a>	0x00000D04	32	mixed	0x00000000	DMA Manager Instr. Command
<a href="#">DBGINST0</a>	0x00000D08	32	mixed	0x00000000	DMA Manager Instruction Part A
<a href="#">DBGINST1</a>	0x00000D0C	32	mixed	0x00000000	DMA Manager Instruction Part B
<a href="#">CR0</a>	0x00000E00	32	mixed	dmac0_ns: 0x00000000 dmac0_s: 0x001E3071	Config. 0: Events, Peripheral Interfaces, PC, Mode
<a href="#">CR1</a>	0x00000E04	32	mixed	dmac0_ns: 0x00000000 dmac0_s: 0x00000074	Config. 1: Instruction Cache
<a href="#">CR2</a>	0x00000E08	32	mixed	0x00000000	Config. 2: DMA Mgr Boot Addr
<a href="#">CR3</a>	0x00000E0C	32	mixed	0x00000000	Config. 3: Security state of IRQs
<a href="#">CR4</a>	0x00000E10	32	mixed	0x00000000	Config 4, Security of Periph Interfaces
<a href="#">CRD</a>	0x00000E14	32	mixed	dmac0_ns: 0x00000000 dmac0_s: 0x07FF7F73	DMA configuration
<a href="#">WD</a>	0x00000E80	32	mixed	0x00000000	Watchdog Timer
<a href="#">periph_id_0</a>	0x00000FE0	32	mixed	dmac0_ns: 0x00000000 dmac0_s: 0x00000030	Peripheral Identification register 0
<a href="#">periph_id_1</a>	0x00000FE4	32	mixed	dmac0_ns: 0x00000000 dmac0_s: 0x00000013	Peripheral Identification register 1
<a href="#">periph_id_2</a>	0x00000FE8	32	mixed	dmac0_ns: 0x00000000 dmac0_s: 0x00000024	Peripheral Identification register 2

Register Name	Address	Width	Type	Reset Value	Description
<a href="#">periph_id_3</a>	0x0000FEC	32	mixed	0x00000000	Peripheral Identification register 3
<a href="#">pcell_id_0</a>	0x0000FF0	32	mixed	dmac0_ns: 0x00000000 dmac0_s: 0x0000000D	Component Identification register 0
<a href="#">pcell_id_1</a>	0x0000FF4	32	mixed	dmac0_ns: 0x00000000 dmac0_s: 0x000000F0	Component Identification register 1
<a href="#">pcell_id_2</a>	0x0000FF8	32	mixed	dmac0_ns: 0x00000000 dmac0_s: 0x00000005	Component Identification register 2
<a href="#">pcell_id_3</a>	0x0000FFC	32	mixed	dmac0_ns: 0x00000000 dmac0_s: 0x000000B1	Component Identification register 3

### Register ([dmac](#)) DSR

Name	DSR
Software Name	DS
Relative Address	0x00000000
Absolute Address	dmac0_ns: 0xF8004000 dmac0_s: 0xF8003000
Width	32 bits
Access Type	mixed
Reset Value	0x00000000
Description	DMA Manager Status

### Register DSR Details

Field Name	Bits	Type	Reset Value	Description
reserved	31:10	rud	0x0	Reserved, read undefined
DNS	9	sro,ns sraz,n snsro	0x0	Provides the security status of the DMA manager thread: 0: Secure state 1: Non-secure state

Field Name	Bits	Type	Reset Value	Description
Wakeup_event	8:4	sro,ns sraz,n snsro	0x0	When the DMA manager executes a DMAWFE instruction, it is waiting for one of the following events to occur from any of the DMA channel threads: 0 0000: event[0] 0 0001: event[1] ... 0 1111: event[15] 1 xxxx: reserved
DMA_status	3:0	sro,ns sraz,n snsro	0x0	The current operating state of the DMA manager: 0000: Stopped 0001: Executing 0010: Cache miss 0011: Updating PC 0100: Waiting for event 0101 to 1110: reserved 1111: Faulting.

### Register ([dmac](#)) DPC

Name	DPC
Relative Address	0x00000004
Absolute Address	dmac0_ns: 0xF8004004 dmac0_s: 0xF8003004
Width	32 bits
Access Type	mixed
Reset Value	0x00000000
Description	DMA Program Counter

#### Register DPC Details

Field Name	Bits	Type	Reset Value	Description
pc_mgr	31:0	sro,ns sraz,n snsro	0x0	Program counter for the DMA manager thread

### Register ([dmac](#)) INTEN

Name	INTEN
Relative Address	0x00000020



Absolute Address      dmac0\_ns: 0xF8004020  
                             dmac0\_s: 0xF8003020

Width                    32 bits

Access Type            mixed

Reset Value            0x00000000

Description            DMASEV Instruction Response Control

Register INTEN Details

Field Name	Bits	Type	Reset Value	Description
event_irq_select	31:0	srw,ns sraz,n snsrw	0x0	Control the respond of a DMA channel thread when it executes a DMASEV instruction. The channel thread will either signal the same DMASEV instruction to the other threads, or assert its interrupt signal. Bits [7:0] correspond to channels [7:0].  0: The channel tread signals a DMASEV to the other threads (this typically selected when interrupts are not used)  1: Assert the channel's interrupt signal to the PS interrupt controller.  Reserved

Register ([dmac](#)) INT\_EVENT\_RIS

Name                    INT\_EVENT\_RIS

Software Name        ES

Relative Address      0x00000024

Absolute Address      dmac0\_ns: 0xF8004024  
                             dmac0\_s: 0xF8003024

Width                    32 bits

Access Type            mixed

Reset Value            0x00000000

Description            Event Interrupt Raw Status

Register INT\_EVENT\_RIS Details

Field Name	Bits	Type	Reset Value	Description
DMASEV_active	31:0	sro,ns sraz,n snsro	0x0	Raw status of the event or interrupt state. There are sixteen possible event settings [15:0] and eight possible interrupts [7:0]: 0: Inactive 1: Active Note: When the DMAC executes a DMASEV N instruction to send event N, the INTEN Register controls whether the DMAC: signals an interrupt using the appropriate irq sends the event to all of the threads. Reserved

Register ([dmac](#)) INTMIS

Name	INTMIS
Software Name	INTSTATUS
Relative Address	0x00000028
Absolute Address	dmac0_ns: 0xF8004028 dmac0_s: 0xF8003028
Width	32 bits
Access Type	mixed
Reset Value	0x00000000
Description	Interrupt Status

Register INTMIS Details

Field Name	Bits	Type	Reset Value	Description
irq_status	31:0	sro,ns sraz,n snsro	0x0	Interrupt signal state for DMA channel [7:0]: 0: inactive (IRQ signals is Low). 1: active (IRQ signals is High). Reserved

Register ([dmac](#)) INTCLR

Name	INTCLR
Relative Address	0x0000002C
Absolute Address	dmac0_ns: 0xF800402C dmac0_s: 0xF800302C

Width 32 bits  
 Access Type mixed  
 Reset Value 0x00000000  
 Description Interrupt Clear

Register INTCLR Details

Field Name	Bits	Type	Reset Value	Description
irq_clr	31:0	swo,n ssraz, nsns wo	0x0	Clear interrupt(s) for DMA channel [7:0]: 0: no affect 1: clear the interrupt Reserved

Register ([dmac](#)) FSRD

Name FSRD  
 Software Name FSM  
 Relative Address 0x00000030  
 Absolute Address dmac0\_ns: 0xF8004030  
 dmac0\_s: 0xF8003030  
 Width 32 bits  
 Access Type mixed  
 Reset Value 0x00000000  
 Description Fault Status DMA Manager

Register FSRD Details

Field Name	Bits	Type	Reset Value	Description
reserved	31:1	rud	0x0	reserved, read undefined
fs_mgr	0	sro,ns sraz,n snsro	0x0	Provides the fault status of the DMA manager: 0: Not in the Faulting state 1: Faulting state

Register ([dmac](#)) FSRC

Name FSRC  
 Software Name FSC  
 Relative Address 0x00000034  
 Absolute Address dmac0\_ns: 0xF8004034  
 dmac0\_s: 0xF8003034

Width 32 bits  
 Access Type mixed  
 Reset Value 0x00000000  
 Description Fault Status DMA Channel

Register FSRC Details

Field Name	Bits	Type	Reset Value	Description
reserved	31:8	rud	0x0	reserved, read undefined
fault_status	7:0	sro,ns sraz,n snsro	0x0	Each bit provides the fault status of the corresponding DMA channel, Bits [7:0]: 0: No fault present 1: Fault or Fault completing state

Register ([dmac](#)) FTRD

Name FTRD  
 Software Name FTM  
 Relative Address 0x00000038  
 Absolute Address dmac0\_ns: 0xF8004038  
 dmac0\_s: 0xF8003038  
 Width 32 bits  
 Access Type mixed  
 Reset Value 0x00000000  
 Description Fault Type DMA Manager

Register FTRD Details

Field Name	Bits	Type	Reset Value	Description
reserved	31	rud	0x0	read undefined
dbg_instr	30	sro,ns sraz,n snsro	0x0	If the DMA manager aborts, this bit indicates whether the erroneous instruction was read from the system memory or from the debug interface: 0: system memory 1: debug interface
reserved	29:17	rud	0x0	read undefined
instr_fetch_err	16	sro,ns sraz,n snsro	0x0	Indicates the AXI response that the DMAC receives on the RRESP bus, after the DMA manager performs an instruction fetch: 0: OKAY response 1: EXOKAY, SLVERR, or DECERR response

Field Name	Bits	Type	Reset Value	Description
reserved	15:6	rud	0x0	read undefined
mgr_evt_err	5	sro,ns sraz,n snsro	0x0	Indicates whether the DMA manager was attempting to execute DMAWFE or DMASEV with inappropriate security permissions: 0: the DMA manager has appropriate security to execute DMAWFE or DMASEV 1: a DMA manager thread in the Non-secure state attempted to execute either: DMAWFE to wait for a secure event H18DMASEV to create a secure event or secure interrupt.
dmago_err	4	sro,ns sraz,n snsro	0x0	Indicates whether the DMA manager was attempting to execute DMAGO with inappropriate security permissions: 0: appropriate security to execute DMAGO 1: Non-secure state attempted to execute DMAGO to create a DMA channel thread operating in the Secure state
reserved	3:2	rud	0x0	read undefined
operand_invalid	1	sro,ns sraz,n snsro	0x0	Indicates whether the DMA manager was attempting to execute an instruction operand that was not valid for the configuration of the DMAC: 0: valid operand 1: invalid operand
undef_instr	0	sro,ns sraz,n snsro	0x0	Indicates whether the DMA manager was attempting to execute an undefined instruction: 0: defined instruction 1: undefined instruction.

### Register ([dmac](#)) FTR0

Name	FTR0
Software Name	FTC0
Relative Address	0x00000040
Absolute Address	dmac0_ns: 0xF8004040 dmac0_s: 0xF8003040
Width	32 bits
Access Type	mixed
Reset Value	0x00000000
Description	Default Type DMA Channel 0

Register FTR0 Details

Field Name	Bits	Type	Reset Value	Description
lockup_err	31	sro,ns sraz,n snsro	0x0	Indicates whether the DMA channel thread has locked-up because of resource starvation: 0: DMA channel has adequate resources 1: DMA channel has locked-up because of insufficient resources. This fault is an imprecise abort.
dbg_instr	30	sro,ns sraz,n snsro	0x0	If the DMA channel aborts, this bit indicates whether the erroneous instruction was read from the system memory or from the debug interface: 0: system memory 1: debug interface.
reserved	29:19	sro,ns sraz,n snsro	0x0	read undefined
data_read_err	18	sro,ns sraz,n snsro	0x0	Indicates the AXI response that the DMAC receives on the RRESP bus, after the DMA channel thread performs a data read: 0: OKAY response 1: EXOKAY, SLVERR, or DECERR response. This fault is an imprecise abort.
data_write_err	17	sro,ns sraz,n snsro	0x0	Indicates the AXI response that the DMAC receives on the BRESP bus, after the DMA channel thread performs a data write: 0: OKAY response 1: EXOKAY, SLVERR, or DECERR response. This fault is an imprecise abort.
instr_fetch_err	16	sro,ns sraz,n snsro	0x0	Indicates the AXI response that the DMAC receives on the RRESP bus after the DMA channel thread performs an instruction fetch: 0: OKAY response 1: EXOKAY, SLVERR, or DECERR response. This fault is a precise abort.
reserved	15:14	sro,ns sraz,n snsro	0x0	read undefined
st_data_unavailable	13	sro,ns sraz,n snsro	0x0	Indicates whether the MFIFO did not contain the data to enable the DMAC to perform the DMAST: 0: MFIFO contains all the data to enable the DMAST to complete 1: previous DMALDs have not put enough data in the MFIFO to enable the DMAST to complete. This fault is a precise abort.

Field Name	Bits	Type	Reset Value	Description
mfifo_err	12	sro,ns sraz,n snsro	0x0	Indicates whether the MFIFO prevented the DMA channel thread from executing DMALD or DMAST: DMALD: 0: MFIFO contains sufficient space 1: MFIFO is too small to hold the data that DMALD requires. DMAST: 0: MFIFO contains sufficient data 1: MFIFO is too small to store the data to enable DMAST to complete. This fault is an imprecise abort.
reserved	11:8	sro,ns sraz,n snsro	0x0	read undefined
ch_rdwr_err	7	sro,ns sraz,n snsro	0x0	Indicates whether a DMA channel thread, in the Non-secure state, attempts to program the CCR registers to perform a secure read or secure write: 0: a DMA channel thread in the Non-secure state is not violating the security permissions 1: a DMA channel thread in the Non-secure state attempted to perform a secure read or secure write. This fault is a precise abort.
ch_periph_err	6	sro,ns sraz,n snsro	0x0	Indicates whether a DMA channel thread, in the Non-secure state, attempts to execute DMAWFP, DMALDP, DMASTP, or DMAFLUSHP with inappropriate security permissions: 0: a DMA channel thread in the Non-secure state is not violating the security permissions 1: a DMA channel thread in the Non-secure state attempted to execute either: a) DMAWFP to wait for a secure peripheral, b) DMALDP or DMASTP to notify a secure peripheral, or c) DMAFLUSHP to flush a secure peripheral. This fault is a precise abort.
ch_evt_err	5	sro,ns sraz,n snsro	0x0	Indicates whether the DMA channel thread attempts to execute DMAWFE or DMASEV with inappropriate security permissions: 0: a DMA channel thread in the Non-secure state is not violating the security permissions 1: a DMA channel thread in the Non-secure state attempted to execute either: a) DMAWFE to wait for a secure event, or b) DMASEV to create a secure event or secure interrupt. This fault is a precise abort.

Field Name	Bits	Type	Reset Value	Description
reserved	4:2	sro,ns sraz,n snsro	0x0	read undefined
operand_invalid	1	sro,ns sraz,n snsro	0x0	Indicates whether the DMA channel thread was attempting to execute an instruction operand that was not valid for the configuration of the DMAC: 0: valid operand 1: invalid operand. This fault is a precise abort.
undef_instr	0	sro,ns sraz,n snsro	0x0	Indicates whether the DMA channel thread was attempting to execute an undefined instruction: 0: defined instruction 1: undefined instruction. This fault is a precise abort.

### Register ([dmac](#)) FTR1

Name	FTR1
Software Name	XDmaPs_FTChn_OFFSET(1)
Relative Address	0x00000044
Absolute Address	dmac0_ns: 0xF8004044 dmac0_s: 0xF8003044
Width	32 bits
Access Type	mixed
Reset Value	0x00000000
Description	Default Type DMA Channel 1

#### Register FTR1 Details

Field Name	Bits	Type	Reset Value	Description
lockup_err	31	sro,ns sraz,n snsro	0x0	Indicates whether the DMA channel thread has locked-up because of resource starvation: 0: DMA channel has adequate resources 1: DMA channel has locked-up because of insufficient resources. This fault is an imprecise abort.
dbg_instr	30	sro,ns sraz,n snsro	0x0	If the DMA channel aborts, this bit indicates whether the erroneous instruction was read from the system memory or from the debug interface: 0: system memory 1: debug interface.



Field Name	Bits	Type	Reset Value	Description
reserved	29:19	sro,ns sraz,n snsro	0x0	read undefined
data_read_err	18	sro,ns sraz,n snsro	0x0	Indicates the AXI response that the DMAC receives on the RRESP bus, after the DMA channel thread performs a data read: 0: OKAY response 1: EXOKAY, SLVERR, or DECERR response. This fault is an imprecise abort.
data_write_err	17	sro,ns sraz,n snsro	0x0	Indicates the AXI response that the DMAC receives on the BRESP bus, after the DMA channel thread performs a data write: 0: OKAY response 1: EXOKAY, SLVERR, or DECERR response. This fault is an imprecise abort.
instr_fetch_err	16	sro,ns sraz,n snsro	0x0	Indicates the AXI response that the DMAC receives on the RRESP bus after the DMA channel thread performs an instruction fetch: 0: OKAY response 1: EXOKAY, SLVERR, or DECERR response. This fault is a precise abort.
reserved	15:14	sro,ns sraz,n snsro	0x0	read undefined
st_data_unavailable	13	sro,ns sraz,n snsro	0x0	Indicates whether the MFIFO did not contain the data to enable the DMAC to perform the DMAST: 0: MFIFO contains all the data to enable the DMAST to complete 1: previous DMALDs have not put enough data in the MFIFO to enable the DMAST to complete. This fault is a precise abort.
mfifo_err	12	sro,ns sraz,n snsro	0x0	Indicates whether the MFIFO prevented the DMA channel thread from executing DMALD or DMAST: DMALD: 0: MFIFO contains sufficient space 1: MFIFO is too small to hold the data that DMALD requires. DMAST: 0: MFIFO contains sufficient data 1: MFIFO is too small to store the data to enable DMAST to complete. This fault is an imprecise abort.

Field Name	Bits	Type	Reset Value	Description
reserved	11:8	sro,ns sraz,n snsro	0x0	read undefined
ch_rdwr_err	7	sro,ns sraz,n snsro	0x0	Indicates whether a DMA channel thread, in the Non-secure state, attempts to program the CCR registers to perform a secure read or secure write: 0: a DMA channel thread in the Non-secure state is not violating the security permissions 1: a DMA channel thread in the Non-secure state attempted to perform a secure read or secure write. This fault is a precise abort.
ch_periph_err	6	sro,ns sraz,n snsro	0x0	Indicates whether a DMA channel thread, in the Non-secure state, attempts to execute DMAWFP, DMALDP, DMASTP, or DMAFLUSHP with inappropriate security permissions: 0: a DMA channel thread in the Non-secure state is not violating the security permissions 1: a DMA channel thread in the Non-secure state attempted to execute either: a) DMAWFP to wait for a secure peripheral, b) DMALDP or DMASTP to notify a secure peripheral, or c) DMAFLUSHP to flush a secure peripheral. This fault is a precise abort.
ch_evnt_err	5	sro,ns sraz,n snsro	0x0	Indicates whether the DMA channel thread attempts to execute DMAWFE or DMASEV with inappropriate security permissions: 0: a DMA channel thread in the Non-secure state is not violating the security permissions 1: a DMA channel thread in the Non-secure state attempted to execute either: a) DMAWFE to wait for a secure event, or b) DMASEV to create a secure event or secure interrupt. This fault is a precise abort.
reserved	4:2	sro,ns sraz,n snsro	0x0	read undefined
operand_invalid	1	sro,ns sraz,n snsro	0x0	Indicates whether the DMA channel thread was attempting to execute an instruction operand that was not valid for the configuration of the DMAC: 0: valid operand 1: invalid operand. This fault is a precise abort.
undef_instr	0	sro,ns sraz,n snsro	0x0	Indicates whether the DMA channel thread was attempting to execute an undefined instruction: 0: defined instruction 1: undefined instruction. This fault is a precise abort.

Register ([dmac](#)) FTR2

Name	FTR2
Software Name	XDmaPs_FTCn_OFFSET(2)
Relative Address	0x00000048
Absolute Address	dmac0_ns: 0xF8004048 dmac0_s: 0xF8003048
Width	32 bits
Access Type	mixed
Reset Value	0x00000000
Description	Default Type DMA Channel 2

## Register FTR2 Details

Field Name	Bits	Type	Reset Value	Description
lockup_err	31	sro,ns sraz,n snsro	0x0	Indicates whether the DMA channel thread has locked-up because of resource starvation: 0: DMA channel has adequate resources 1: DMA channel has locked-up because of insufficient resources. This fault is an imprecise abort.
dbg_instr	30	sro,ns sraz,n snsro	0x0	If the DMA channel aborts, this bit indicates whether the erroneous instruction was read from the system memory or from the debug interface: 0: system memory 1: debug interface.
reserved	29:19	sro,ns sraz,n snsro	0x0	read undefined
data_read_err	18	sro,ns sraz,n snsro	0x0	Indicates the AXI response that the DMAC receives on the RRESP bus, after the DMA channel thread performs a data read: 0: OKAY response 1: EXOKAY, SLVERR, or DECERR response. This fault is an imprecise abort.
data_write_err	17	sro,ns sraz,n snsro	0x0	Indicates the AXI response that the DMAC receives on the BRESP bus, after the DMA channel thread performs a data write: 0: OKAY response 1: EXOKAY, SLVERR, or DECERR response. This fault is an imprecise abort.

Field Name	Bits	Type	Reset Value	Description
instr_fetch_err	16	sro,ns sraz,n snsro	0x0	Indicates the AXI response that the DMAC receives on the RRESP bus after the DMA channel thread performs an instruction fetch: 0: OKAY response 1: EXOKAY, SLVERR, or DECERR response. This fault is a precise abort.
reserved	15:14	sro,ns sraz,n snsro	0x0	read undefined
st_data_unavailable	13	sro,ns sraz,n snsro	0x0	Indicates whether the MFIFO did not contain the data to enable the DMAC to perform the DMAST: 0: MFIFO contains all the data to enable the DMAST to complete 1: previous DMALDs have not put enough data in the MFIFO to enable the DMAST to complete. This fault is a precise abort.
mfifo_err	12	sro,ns sraz,n snsro	0x0	Indicates whether the MFIFO prevented the DMA channel thread from executing DMALD or DMAST: DMALD: 0: MFIFO contains sufficient space 1: MFIFO is too small to hold the data that DMALD requires. DMAST: 0: MFIFO contains sufficient data 1: MFIFO is too small to store the data to enable DMAST to complete. This fault is an imprecise abort.
reserved	11:8	sro,ns sraz,n snsro	0x0	read undefined
ch_rdwr_err	7	sro,ns sraz,n snsro	0x0	Indicates whether a DMA channel thread, in the Non-secure state, attempts to program the CCR registers to perform a secure read or secure write: 0: a DMA channel thread in the Non-secure state is not violating the security permissions 1: a DMA channel thread in the Non-secure state attempted to perform a secure read or secure write. This fault is a precise abort.

Field Name	Bits	Type	Reset Value	Description
ch_periph_err	6	sro,ns sraz,n snsro	0x0	Indicates whether a DMA channel thread, in the Non-secure state, attempts to execute DMAWFP, DMALDP, DMASTP, or DMAFLUSHP with inappropriate security permissions: 0: a DMA channel thread in the Non-secure state is not violating the security permissions 1: a DMA channel thread in the Non-secure state attempted to execute either: a) DMAWFP to wait for a secure peripheral, b) DMALDP or DMASTP to notify a secure peripheral, or c) DMAFLUSHP to flush a secure peripheral. This fault is a precise abort.
ch_evt_err	5	sro,ns sraz,n snsro	0x0	Indicates whether the DMA channel thread attempts to execute DMAWFE or DMASEV with inappropriate security permissions: 0: a DMA channel thread in the Non-secure state is not violating the security permissions 1: a DMA channel thread in the Non-secure state attempted to execute either: a) DMAWFE to wait for a secure event, or b) DMASEV to create a secure event or secure interrupt. This fault is a precise abort.
reserved	4:2	sro,ns sraz,n snsro	0x0	read undefined
operand_invalid	1	sro,ns sraz,n snsro	0x0	Indicates whether the DMA channel thread was attempting to execute an instruction operand that was not valid for the configuration of the DMAC: 0: valid operand 1: invalid operand. This fault is a precise abort.
undef_instr	0	sro,ns sraz,n snsro	0x0	Indicates whether the DMA channel thread was attempting to execute an undefined instruction: 0: defined instruction 1: undefined instruction. This fault is a precise abort.

### Register ([dmac](#)) FTR3

Name FTR3  
 Software Name XDmaPs\_FTCn\_OFFSET(3)  
 Relative Address 0x0000004C  
 Absolute Address dmac0\_ns: 0xF800404C  
 dmac0\_s: 0xF800304C

Width	32 bits
Access Type	mixed
Reset Value	0x00000000
Description	Default Type DMA Channel 3

## Register FTR3 Details

Field Name	Bits	Type	Reset Value	Description
lockup_err	31	sro,ns sraz,n snsro	0x0	Indicates whether the DMA channel thread has locked-up because of resource starvation: 0: DMA channel has adequate resources 1: DMA channel has locked-up because of insufficient resources. This fault is an imprecise abort.
dbg_instr	30	sro,ns sraz,n snsro	0x0	If the DMA channel aborts, this bit indicates whether the erroneous instruction was read from the system memory or from the debug interface: 0: system memory 1: debug interface.
reserved	29:19	sro,ns sraz,n snsro	0x0	read undefined
data_read_err	18	sro,ns sraz,n snsro	0x0	Indicates the AXI response that the DMAC receives on the RRESP bus, after the DMA channel thread performs a data read: 0: OKAY response 1: EXOKAY, SLVERR, or DECERR response. This fault is an imprecise abort.
data_write_err	17	sro,ns sraz,n snsro	0x0	Indicates the AXI response that the DMAC receives on the BRESP bus, after the DMA channel thread performs a data write: 0: OKAY response 1: EXOKAY, SLVERR, or DECERR response. This fault is an imprecise abort.
instr_fetch_err	16	sro,ns sraz,n snsro	0x0	Indicates the AXI response that the DMAC receives on the RRESP bus after the DMA channel thread performs an instruction fetch: 0: OKAY response 1: EXOKAY, SLVERR, or DECERR response. This fault is a precise abort.
reserved	15:14	sro,ns sraz,n snsro	0x0	read undefined

Field Name	Bits	Type	Reset Value	Description
st_data_unavailable	13	sro,ns sraz,n snsro	0x0	Indicates whether the MFIFO did not contain the data to enable the DMAC to perform the DMAST: 0: MFIFO contains all the data to enable the DMAST to complete 1: previous DMALDs have not put enough data in the MFIFO to enable the DMAST to complete. This fault is a precise abort.
mfifo_err	12	sro,ns sraz,n snsro	0x0	Indicates whether the MFIFO prevented the DMA channel thread from executing DMALD or DMAST: DMALD: 0: MFIFO contains sufficient space 1: MFIFO is too small to hold the data that DMALD requires. DMAST: 0: MFIFO contains sufficient data 1: MFIFO is too small to store the data to enable DMAST to complete. This fault is an imprecise abort.
reserved	11:8	sro,ns sraz,n snsro	0x0	read undefined
ch_rdwr_err	7	sro,ns sraz,n snsro	0x0	Indicates whether a DMA channel thread, in the Non-secure state, attempts to program the CCR registers to perform a secure read or secure write: 0: a DMA channel thread in the Non-secure state is not violating the security permissions 1: a DMA channel thread in the Non-secure state attempted to perform a secure read or secure write. This fault is a precise abort.
ch_periph_err	6	sro,ns sraz,n snsro	0x0	Indicates whether a DMA channel thread, in the Non-secure state, attempts to execute DMAWFP, DMALDP, DMASTP, or DMAFLUSHP with inappropriate security permissions: 0: a DMA channel thread in the Non-secure state is not violating the security permissions 1: a DMA channel thread in the Non-secure state attempted to execute either: a) DMAWFP to wait for a secure peripheral, b) DMALDP or DMASTP to notify a secure peripheral, or c) DMAFLUSHP to flush a secure peripheral. This fault is a precise abort.

Field Name	Bits	Type	Reset Value	Description
ch_evnt_err	5	sro,ns sraz,n snsro	0x0	Indicates whether the DMA channel thread attempts to execute DMAWFE or DMASEV with inappropriate security permissions: 0: a DMA channel thread in the Non-secure state is not violating the security permissions 1: a DMA channel thread in the Non-secure state attempted to execute either: a) DMAWFE to wait for a secure event, or b) DMASEV to create a secure event or secure interrupt. This fault is a precise abort.
reserved	4:2	sro,ns sraz,n snsro	0x0	read undefined
operand_invalid	1	sro,ns sraz,n snsro	0x0	Indicates whether the DMA channel thread was attempting to execute an instruction operand that was not valid for the configuration of the DMAC: 0: valid operand 1: invalid operand. This fault is a precise abort.
undef_instr	0	sro,ns sraz,n snsro	0x0	Indicates whether the DMA channel thread was attempting to execute an undefined instruction: 0: defined instruction 1: undefined instruction. This fault is a precise abort.

### Register ([dmac](#)) FTR4

Name	FTR4
Software Name	XDmaPs_FTCn_OFFSET(4)
Relative Address	0x00000050
Absolute Address	dmac0_ns: 0xF8004050 dmac0_s: 0xF8003050
Width	32 bits
Access Type	mixed
Reset Value	0x00000000
Description	Default Type DMA Channel 4



Register FTR4 Details

Field Name	Bits	Type	Reset Value	Description
lockup_err	31	sro,ns sraz,n snsro	0x0	Indicates whether the DMA channel thread has locked-up because of resource starvation: 0: DMA channel has adequate resources 1: DMA channel has locked-up because of insufficient resources. This fault is an imprecise abort.
dbg_instr	30	sro,ns sraz,n snsro	0x0	If the DMA channel aborts, this bit indicates whether the erroneous instruction was read from the system memory or from the debug interface: 0: system memory 1: debug interface.
reserved	29:19	sro,ns sraz,n snsro	0x0	read undefined
data_read_err	18	sro,ns sraz,n snsro	0x0	Indicates the AXI response that the DMAC receives on the RRESP bus, after the DMA channel thread performs a data read: 0: OKAY response 1: EXOKAY, SLVERR, or DECERR response. This fault is an imprecise abort.
data_write_err	17	sro,ns sraz,n snsro	0x0	Indicates the AXI response that the DMAC receives on the BRESP bus, after the DMA channel thread performs a data write: 0: OKAY response 1: EXOKAY, SLVERR, or DECERR response. This fault is an imprecise abort.
instr_fetch_err	16	sro,ns sraz,n snsro	0x0	Indicates the AXI response that the DMAC receives on the RRESP bus after the DMA channel thread performs an instruction fetch: 0: OKAY response 1: EXOKAY, SLVERR, or DECERR response. This fault is a precise abort.
reserved	15:14	sro,ns sraz,n snsro	0x0	read undefined
st_data_unavailable	13	sro,ns sraz,n snsro	0x0	Indicates whether the MFIFO did not contain the data to enable the DMAC to perform the DMAST: 0: MFIFO contains all the data to enable the DMAST to complete 1: previous DMALDs have not put enough data in the MFIFO to enable the DMAST to complete. This fault is a precise abort.

Field Name	Bits	Type	Reset Value	Description
mfifo_err	12	sro,ns sraz,n snsro	0x0	Indicates whether the MFIFO prevented the DMA channel thread from executing DMALD or DMAST: DMALD: 0: MFIFO contains sufficient space 1: MFIFO is too small to hold the data that DMALD requires. DMAST: 0: MFIFO contains sufficient data 1: MFIFO is too small to store the data to enable DMAST to complete. This fault is an imprecise abort.
reserved	11:8	sro,ns sraz,n snsro	0x0	read undefined
ch_rdwr_err	7	sro,ns sraz,n snsro	0x0	Indicates whether a DMA channel thread, in the Non-secure state, attempts to program the CCR registers to perform a secure read or secure write: 0: a DMA channel thread in the Non-secure state is not violating the security permissions 1: a DMA channel thread in the Non-secure state attempted to perform a secure read or secure write. This fault is a precise abort.
ch_periph_err	6	sro,ns sraz,n snsro	0x0	Indicates whether a DMA channel thread, in the Non-secure state, attempts to execute DMAWFP, DMALDP, DMASTP, or DMAFLUSHP with inappropriate security permissions: 0: a DMA channel thread in the Non-secure state is not violating the security permissions 1: a DMA channel thread in the Non-secure state attempted to execute either: a) DMAWFP to wait for a secure peripheral, b) DMALDP or DMASTP to notify a secure peripheral, or c) DMAFLUSHP to flush a secure peripheral. This fault is a precise abort.
ch_evt_err	5	sro,ns sraz,n snsro	0x0	Indicates whether the DMA channel thread attempts to execute DMAWFE or DMASEV with inappropriate security permissions: 0: a DMA channel thread in the Non-secure state is not violating the security permissions 1: a DMA channel thread in the Non-secure state attempted to execute either: a) DMAWFE to wait for a secure event, or b) DMASEV to create a secure event or secure interrupt. This fault is a precise abort.

Field Name	Bits	Type	Reset Value	Description
reserved	4:2	sro,ns sraz,n snsro	0x0	read undefined
operand_invalid	1	sro,ns sraz,n snsro	0x0	Indicates whether the DMA channel thread was attempting to execute an instruction operand that was not valid for the configuration of the DMAC: 0: valid operand 1: invalid operand. This fault is a precise abort.
undef_instr	0	sro,ns sraz,n snsro	0x0	Indicates whether the DMA channel thread was attempting to execute an undefined instruction: 0: defined instruction 1: undefined instruction. This fault is a precise abort.

### Register ([dmac](#)) FTR5

Name	FTR5
Software Name	XDmaPs_FTCn_OFFSET(5)
Relative Address	0x00000054
Absolute Address	dmac0_ns: 0xF8004054 dmac0_s: 0xF8003054
Width	32 bits
Access Type	mixed
Reset Value	0x00000000
Description	Default Type DMA Channel 5

#### Register FTR5 Details

Field Name	Bits	Type	Reset Value	Description
lockup_err	31	sro,ns sraz,n snsro	0x0	Indicates whether the DMA channel thread has locked-up because of resource starvation: 0: DMA channel has adequate resources 1: DMA channel has locked-up because of insufficient resources. This fault is an imprecise abort.
dbg_instr	30	sro,ns sraz,n snsro	0x0	If the DMA channel aborts, this bit indicates whether the erroneous instruction was read from the system memory or from the debug interface: 0: system memory 1: debug interface.

Field Name	Bits	Type	Reset Value	Description
reserved	29:19	sro,ns sraz,n snsro	0x0	read undefined
data_read_err	18	sro,ns sraz,n snsro	0x0	Indicates the AXI response that the DMAC receives on the RRESP bus, after the DMA channel thread performs a data read: 0: OKAY response 1: EXOKAY, SLVERR, or DECERR response. This fault is an imprecise abort.
data_write_err	17	sro,ns sraz,n snsro	0x0	Indicates the AXI response that the DMAC receives on the BRESP bus, after the DMA channel thread performs a data write: 0: OKAY response 1: EXOKAY, SLVERR, or DECERR response. This fault is an imprecise abort.
instr_fetch_err	16	sro,ns sraz,n snsro	0x0	Indicates the AXI response that the DMAC receives on the RRESP bus after the DMA channel thread performs an instruction fetch: 0: OKAY response 1: EXOKAY, SLVERR, or DECERR response. This fault is a precise abort.
reserved	15:14	sro,ns sraz,n snsro	0x0	read undefined
st_data_unavailable	13	sro,ns sraz,n snsro	0x0	Indicates whether the MFIFO did not contain the data to enable the DMAC to perform the DMAST: 0: MFIFO contains all the data to enable the DMAST to complete 1: previous DMALDs have not put enough data in the MFIFO to enable the DMAST to complete. This fault is a precise abort.
mfifo_err	12	sro,ns sraz,n snsro	0x0	Indicates whether the MFIFO prevented the DMA channel thread from executing DMALD or DMAST: DMALD: 0: MFIFO contains sufficient space 1: MFIFO is too small to hold the data that DMALD requires. DMAST: 0: MFIFO contains sufficient data 1: MFIFO is too small to store the data to enable DMAST to complete. This fault is an imprecise abort.

Field Name	Bits	Type	Reset Value	Description
reserved	11:8	sro,ns sraz,n snsro	0x0	read undefined
ch_rdwr_err	7	sro,ns sraz,n snsro	0x0	Indicates whether a DMA channel thread, in the Non-secure state, attempts to program the CCR registers to perform a secure read or secure write: 0: a DMA channel thread in the Non-secure state is not violating the security permissions 1: a DMA channel thread in the Non-secure state attempted to perform a secure read or secure write. This fault is a precise abort.
ch_periph_err	6	sro,ns sraz,n snsro	0x0	Indicates whether a DMA channel thread, in the Non-secure state, attempts to execute DMAWFP, DMALDP, DMASTP, or DMAFLUSHP with inappropriate security permissions: 0: a DMA channel thread in the Non-secure state is not violating the security permissions 1: a DMA channel thread in the Non-secure state attempted to execute either: a) DMAWFP to wait for a secure peripheral, b) DMALDP or DMASTP to notify a secure peripheral, or c) DMAFLUSHP to flush a secure peripheral. This fault is a precise abort.
ch_evnt_err	5	sro,ns sraz,n snsro	0x0	Indicates whether the DMA channel thread attempts to execute DMAWFE or DMASEV with inappropriate security permissions: 0: a DMA channel thread in the Non-secure state is not violating the security permissions 1: a DMA channel thread in the Non-secure state attempted to execute either: a) DMAWFE to wait for a secure event, or b) DMASEV to create a secure event or secure interrupt. This fault is a precise abort.
reserved	4:2	sro,ns sraz,n snsro	0x0	read undefined
operand_invalid	1	sro,ns sraz,n snsro	0x0	Indicates whether the DMA channel thread was attempting to execute an instruction operand that was not valid for the configuration of the DMAC: 0: valid operand 1: invalid operand. This fault is a precise abort.
undef_instr	0	sro,ns sraz,n snsro	0x0	Indicates whether the DMA channel thread was attempting to execute an undefined instruction: 0: defined instruction 1: undefined instruction. This fault is a precise abort.

### Register ([dmac](#)) FTR6

Name	FTR6
Software Name	XDmaPs_FTCn_OFFSET(6)
Relative Address	0x00000058
Absolute Address	dmac0_ns: 0xF8004058 dmac0_s: 0xF8003058
Width	32 bits
Access Type	mixed
Reset Value	0x00000000
Description	Default Type DMA Channel 6

#### Register FTR6 Details

Field Name	Bits	Type	Reset Value	Description
lockup_err	31	sro,ns sraz,n snsro	0x0	Indicates whether the DMA channel thread has locked-up because of resource starvation: 0: DMA channel has adequate resources 1: DMA channel has locked-up because of insufficient resources. This fault is an imprecise abort.
dbg_instr	30	sro,ns sraz,n snsro	0x0	If the DMA channel aborts, this bit indicates whether the erroneous instruction was read from the system memory or from the debug interface: 0: system memory 1: debug interface.
reserved	29:19	sro,ns sraz,n snsro	0x0	read undefined
data_read_err	18	sro,ns sraz,n snsro	0x0	Indicates the AXI response that the DMAC receives on the RRESP bus, after the DMA channel thread performs a data read: 0: OKAY response 1: EXOKAY, SLVERR, or DECERR response. This fault is an imprecise abort.
data_write_err	17	sro,ns sraz,n snsro	0x0	Indicates the AXI response that the DMAC receives on the BRESP bus, after the DMA channel thread performs a data write: 0: OKAY response 1: EXOKAY, SLVERR, or DECERR response. This fault is an imprecise abort.

Field Name	Bits	Type	Reset Value	Description
instr_fetch_err	16	sro,ns sraz,n snsro	0x0	Indicates the AXI response that the DMAC receives on the RRESP bus after the DMA channel thread performs an instruction fetch: 0: OKAY response 1: EXOKAY, SLVERR, or DECERR response. This fault is a precise abort.
reserved	15:14	sro,ns sraz,n snsro	0x0	read undefined
st_data_unavailable	13	sro,ns sraz,n snsro	0x0	Indicates whether the MFIFO did not contain the data to enable the DMAC to perform the DMAST: 0: MFIFO contains all the data to enable the DMAST to complete 1: previous DMALDs have not put enough data in the MFIFO to enable the DMAST to complete. This fault is a precise abort.
mfifo_err	12	sro,ns sraz,n snsro	0x0	Indicates whether the MFIFO prevented the DMA channel thread from executing DMALD or DMAST: DMALD: 0: MFIFO contains sufficient space 1: MFIFO is too small to hold the data that DMALD requires. DMAST: 0: MFIFO contains sufficient data 1: MFIFO is too small to store the data to enable DMAST to complete. This fault is an imprecise abort.
reserved	11:8	sro,ns sraz,n snsro	0x0	read undefined
ch_rdwr_err	7	sro,ns sraz,n snsro	0x0	Indicates whether a DMA channel thread, in the Non-secure state, attempts to program the CCR registers to perform a secure read or secure write: 0: a DMA channel thread in the Non-secure state is not violating the security permissions 1: a DMA channel thread in the Non-secure state attempted to perform a secure read or secure write. This fault is a precise abort.

Field Name	Bits	Type	Reset Value	Description
ch_periph_err	6	sro,ns sraz,n snsro	0x0	Indicates whether a DMA channel thread, in the Non-secure state, attempts to execute DMAWFP, DMALDP, DMASTP, or DMAFLUSHP with inappropriate security permissions: 0: a DMA channel thread in the Non-secure state is not violating the security permissions 1: a DMA channel thread in the Non-secure state attempted to execute either: a) DMAWFP to wait for a secure peripheral, b) DMALDP or DMASTP to notify a secure peripheral, or c) DMAFLUSHP to flush a secure peripheral. This fault is a precise abort.
ch_evnt_err	5	sro,ns sraz,n snsro	0x0	Indicates whether the DMA channel thread attempts to execute DMAWFE or DMASEV with inappropriate security permissions: 0: a DMA channel thread in the Non-secure state is not violating the security permissions 1: a DMA channel thread in the Non-secure state attempted to execute either: a) DMAWFE to wait for a secure event, or b) DMASEV to create a secure event or secure interrupt. This fault is a precise abort.
reserved	4:2	sro,ns sraz,n snsro	0x0	read undefined
operand_invalid	1	sro,ns sraz,n snsro	0x0	Indicates whether the DMA channel thread was attempting to execute an instruction operand that was not valid for the configuration of the DMAC: 0: valid operand 1: invalid operand. This fault is a precise abort.
undef_instr	0	sro,ns sraz,n snsro	0x0	Indicates whether the DMA channel thread was attempting to execute an undefined instruction: 0: defined instruction 1: undefined instruction. This fault is a precise abort.

### Register ([dmac](#)) FTR7

Name FTR7  
 Software Name XDmaPs\_FTCn\_OFFSET(7)  
 Relative Address 0x0000005C  
 Absolute Address dmac0\_ns: 0xF800405C  
 dmac0\_s: 0xF800305C



Width	32 bits
Access Type	mixed
Reset Value	0x00000000
Description	Default Type DMA Channel 7

## Register FTR7 Details

Field Name	Bits	Type	Reset Value	Description
lockup_err	31	sro,ns sraz,n snsro	0x0	Indicates whether the DMA channel thread has locked-up because of resource starvation: 0: DMA channel has adequate resources 1: DMA channel has locked-up because of insufficient resources. This fault is an imprecise abort.
dbg_instr	30	sro,ns sraz,n snsro	0x0	If the DMA channel aborts, this bit indicates whether the erroneous instruction was read from the system memory or from the debug interface: 0: system memory 1: debug interface.
reserved	29:19	sro,ns sraz,n snsro	0x0	read undefined
data_read_err	18	sro,ns sraz,n snsro	0x0	Indicates the AXI response that the DMAC receives on the RRESP bus, after the DMA channel thread performs a data read: 0: OKAY response 1: EXOKAY, SLVERR, or DECERR response. This fault is an imprecise abort.
data_write_err	17	sro,ns sraz,n snsro	0x0	Indicates the AXI response that the DMAC receives on the BRESP bus, after the DMA channel thread performs a data write: 0: OKAY response 1: EXOKAY, SLVERR, or DECERR response. This fault is an imprecise abort.
instr_fetch_err	16	sro,ns sraz,n snsro	0x0	Indicates the AXI response that the DMAC receives on the RRESP bus after the DMA channel thread performs an instruction fetch: 0: OKAY response 1: EXOKAY, SLVERR, or DECERR response. This fault is a precise abort.
reserved	15:14	sro,ns sraz,n snsro	0x0	read undefined

Field Name	Bits	Type	Reset Value	Description
st_data_unavailable	13	sro,ns sraz,n snsro	0x0	Indicates whether the MFIFO did not contain the data to enable the DMAC to perform the DMAST: 0: MFIFO contains all the data to enable the DMAST to complete 1: previous DMALDs have not put enough data in the MFIFO to enable the DMAST to complete. This fault is a precise abort.
mfifo_err	12	sro,ns sraz,n snsro	0x0	Indicates whether the MFIFO prevented the DMA channel thread from executing DMALD or DMAST: DMALD: 0: MFIFO contains sufficient space 1: MFIFO is too small to hold the data that DMALD requires. DMAST: 0: MFIFO contains sufficient data 1: MFIFO is too small to store the data to enable DMAST to complete. This fault is an imprecise abort.
reserved	11:8	sro,ns sraz,n snsro	0x0	read undefined
ch_rdwr_err	7	sro,ns sraz,n snsro	0x0	Indicates whether a DMA channel thread, in the Non-secure state, attempts to program the CCR registers to perform a secure read or secure write: 0: a DMA channel thread in the Non-secure state is not violating the security permissions 1: a DMA channel thread in the Non-secure state attempted to perform a secure read or secure write. This fault is a precise abort.
ch_periph_err	6	sro,ns sraz,n snsro	0x0	Indicates whether a DMA channel thread, in the Non-secure state, attempts to execute DMAWFP, DMALDP, DMASTP, or DMAFLUSHP with inappropriate security permissions: 0: a DMA channel thread in the Non-secure state is not violating the security permissions 1: a DMA channel thread in the Non-secure state attempted to execute either: a) DMAWFP to wait for a secure peripheral, b) DMALDP or DMASTP to notify a secure peripheral, or c) DMAFLUSHP to flush a secure peripheral. This fault is a precise abort.

Field Name	Bits	Type	Reset Value	Description
ch_evnt_err	5	sro,ns sraz,n snsro	0x0	Indicates whether the DMA channel thread attempts to execute DMAWFE or DMASEV with inappropriate security permissions: 0: a DMA channel thread in the Non-secure state is not violating the security permissions 1: a DMA channel thread in the Non-secure state attempted to execute either: a) DMAWFE to wait for a secure event, or b) DMASEV to create a secure event or secure interrupt. This fault is a precise abort.
reserved	4:2	sro,ns sraz,n snsro	0x0	read undefined
operand_invalid	1	sro,ns sraz,n snsro	0x0	Indicates whether the DMA channel thread was attempting to execute an instruction operand that was not valid for the configuration of the DMAC: 0: valid operand 1: invalid operand. This fault is a precise abort.
undef_instr	0	sro,ns sraz,n snsro	0x0	Indicates whether the DMA channel thread was attempting to execute an undefined instruction: 0: defined instruction 1: undefined instruction. This fault is a precise abort.

### Register ([dmac](#)) CSR0

Name	CSR0
Software Name	CS0
Relative Address	0x00000100
Absolute Address	dmac0_ns: 0xF8004100 dmac0_s: 0xF8003100
Width	32 bits
Access Type	mixed
Reset Value	0x00000000
Description	Channel Status DMA Channel 0

## Register CSRO Details

Field Name	Bits	Type	Reset Value	Description
reserved	31:22	rud	0x0	reserved,read undefined
CNS	21	sro,ns sraz,n snsro	0x0	Security status of the DMA channel thread: 0: Secure state 1: Non-secure state.
reserved	20:16	rud	0x0	reserved,read undefined
dmawfp_periph	15	sro,ns sraz,n snsro	0x0	When the DMA channel thread executes DMAWFP, this bit indicates whether the periph operand is set: 0: periph operand not set 1: periph operand set. Note: the status only applies when the channel is connected to one of the four peripheral request interfaces.
dmawfp_b_ns	14	sro,ns sraz,n snsro	0x0	When the DMA channel thread executes DMAWFP, this bit indicates whether the burst or single operand were set: 0: single operand set 1: burst operand set
reserved	13:9	rud	0x0	reserved

Field Name	Bits	Type	Reset Value	Description
wakeup_num	8:4	sro,ns sraz,n snsro	0x0	When the DMA channel thread executes a WFE or WFP instruction, these bits indicate the event or peripheral number that the channel is waiting for: Waiting for Event (WFE): 0 0000: waiting for event 0 0 0001: waiting for event 1 ... 0 1111: waiting for event 15 1 xxxx: reserved Waiting for Peripheral (WFP): 0 0000: waiting for peripheral 0 0 0001: waiting for peripheral 1 0 0010: waiting for peripheral 2 0 0011: waiting for peripheral 3 1 11xx: reserved
channel_status	3:0	sro,ns sraz,n snsro	0x0	The channel status encoding is: 0000: Stopped 0001: Executing 0010: Cache miss 0011: Updating PC 0100: Waiting for event 0101: At barrier 0110: reserved 0111: Waiting for peripheral 1000: Killing 1001: Completing 1010 to 1101: reserved 1110: Faulting completing 1111: Faulting.

### Register ([dmac](#)) CPC0

Name	CPC0
Relative Address	0x00000104
Absolute Address	dmac0_ns: 0xF8004104 dmac0_s: 0xF8003104
Width	32 bits
Access Type	mixed
Reset Value	0x00000000
Description	Channel PC for DMA Channel 0

Register CPC0 Details

Field Name	Bits	Type	Reset Value	Description
pc_chnl	31:0	sro,ns sraz,n snsro	0x0	Program counter (physical memory address) for DMA channel thread.

Register ([dmac](#)) CSR1

Name	CSR1
Software Name	XDmaPs_CSn_OFFSET(1)
Relative Address	0x00000108
Absolute Address	dmac0_ns: 0xF8004108 dmac0_s: 0xF8003108
Width	32 bits
Access Type	mixed
Reset Value	0x00000000
Description	Channel Status DMA Channel 1

Register CSR1 Details

Field Name	Bits	Type	Reset Value	Description
reserved	31:22	rud	0x0	reserved,read undefined
CNS	21	sro,ns sraz,n snsro	0x0	Security status of the DMA channel thread: 0: Secure state 1: Non-secure state.
reserved	20:16	rud	0x0	reserved,read undefined
dmawfp_periph	15	sro,ns sraz,n snsro	0x0	When the DMA channel thread executes DMAWFP, this bit indicates whether the periph operand is set: 0: periph operand not set 1: periph operand set. Note: the status only applies when the channel is connected to one of the four peripheral request interfaces.
dmawfp_b_ns	14	sro,ns sraz,n snsro	0x0	When the DMA channel thread executes DMAWFP, this bit indicates whether the burst or single operand were set: 0: single operand set 1: burst operand set
reserved	13:9	rud	0x0	reserved

Field Name	Bits	Type	Reset Value	Description
wakeup_num	8:4	sro,ns sraz,n snsro	0x0	When the DMA channel thread executes a WFE or WFP instruction, these bits indicate the event or peripheral number that the channel is waiting for: Waiting for Event (WFE): 0 0000: waiting for event 0 0 0001: waiting for event 1 ... 0 1111: waiting for event 15 1 xxxx: reserved Waiting for Peripheral (WFP): 0 0000: waiting for peripheral 0 0 0001: waiting for peripheral 1 0 0010: waiting for peripheral 2 0 0011: waiting for peripheral 3 1 11xx: reserved
channel_status	3:0	sro,ns sraz,n snsro	0x0	The channel status encoding is: 0000: Stopped 0001: Executing 0010: Cache miss 0011: Updating PC 0100: Waiting for event 0101: At barrier 0110: reserved 0111: Waiting for peripheral 1000: Killing 1001: Completing 1010 to 1101: reserved 1110: Faulting completing 1111: Faulting.

### Register ([dmac](#)) CPC1

Name	CPC1
Software Name	XDmaPs_CPCn_OFFSET(1)
Relative Address	0x0000010C
Absolute Address	dmac0_ns: 0xF800410C dmac0_s: 0xF800310C
Width	32 bits
Access Type	mixed
Reset Value	0x00000000

Description Channel PC for DMA Channel 1

Register CPC1 Details

Field Name	Bits	Type	Reset Value	Description
pc_chnl	31:0	sro,ns sraz,n snsro	0x0	Program counter (physical memory address) for DMA channel thread.

Register ([dmac](#)) CSR2

Name CSR2  
 Software Name XDmaPs\_CSn\_OFFSET(2)  
 Relative Address 0x00000110  
 Absolute Address dmac0\_ns: 0xF8004110  
 dmac0\_s: 0xF8003110  
 Width 32 bits  
 Access Type mixed  
 Reset Value 0x00000000  
 Description Channel Status DMA Channel 2

Register CSR2 Details

Field Name	Bits	Type	Reset Value	Description
reserved	31:22	rud	0x0	reserved,read undefined
CNS	21	sro,ns sraz,n snsro	0x0	Security status of the DMA channel thread: 0: Secure state 1: Non-secure state.
reserved	20:16	rud	0x0	reserved,read undefined
dmawfp_periph	15	sro,ns sraz,n snsro	0x0	When the DMA channel thread executes DMAWFP, this bit indicates whether the periph operand is set: 0: periph operand not set 1: periph operand set. Note: the status only applies when the channel is connected to one of the four peripheral request interfaces.
dmawfp_b_ns	14	sro,ns sraz,n snsro	0x0	When the DMA channel thread executes DMAWFP, this bit indicates whether the burst or single operand were set: 0: single operand set 1: burst operand set



Field Name	Bits	Type	Reset Value	Description
reserved	13:9	rud	0x0	reserved
wakeup_num	8:4	sro,ns sraz,n snsro	0x0	When the DMA channel thread executes a WFE or WFP instruction, these bits indicate the event or peripheral number that the channel is waiting for: Waiting for Event (WFE): 0 0000: waiting for event 0 0 0001: waiting for event 1 ... 0 1111: waiting for event 15 1 xxxx: reserved Waiting for Peripheral (WFP): 0 0000: waiting for peripheral 0 0 0001: waiting for peripheral 1 0 0010: waiting for peripheral 2 0 0011: waiting for peripheral 3 1 11xx: reserved
channel_status	3:0	sro,ns sraz,n snsro	0x0	The channel status encoding is: 0000: Stopped 0001: Executing 0010: Cache miss 0011: Updating PC 0100: Waiting for event 0101: At barrier 0110: reserved 0111: Waiting for peripheral 1000: Killing 1001: Completing 1010 to 1101: reserved 1110: Faulting completing 1111: Faulting.

### Register ([dmac](#)) CPC2

Name	CPC2
Software Name	XDmaPs_CPCn_OFFSET(2)
Relative Address	0x00000114
Absolute Address	dmac0_ns: 0xF8004114 dmac0_s: 0xF8003114
Width	32 bits
Access Type	mixed

Reset Value 0x00000000  
 Description Channel PC for DMA Channel 2

Register CPC2 Details

Field Name	Bits	Type	Reset Value	Description
pc_chnl	31:0	sro,ns sraz,n snsro	0x0	Program counter (physical memory address) for DMA channel thread.

Register ([dmac](#)) CSR3

Name CSR3  
 Software Name XDmaPs\_CSn\_OFFSET(3)  
 Relative Address 0x00000118  
 Absolute Address dmac0\_ns: 0xF8004118  
 dmac0\_s: 0xF8003118  
 Width 32 bits  
 Access Type mixed  
 Reset Value 0x00000000  
 Description Channel Status DMA Channel 3

Register CSR3 Details

Field Name	Bits	Type	Reset Value	Description
reserved	31:22	rud	0x0	reserved,read undefined
CNS	21	sro,ns sraz,n snsro	0x0	Security status of the DMA channel thread: 0: Secure state 1: Non-secure state.
reserved	20:16	rud	0x0	reserved,read undefined
dmawfp_periph	15	sro,ns sraz,n snsro	0x0	When the DMA channel thread executes DMAWFP, this bit indicates whether the periph operand is set: 0: periph operand not set 1: periph operand set. Note: the status only applies when the channel is connected to one of the four peripheral request interfaces.

Field Name	Bits	Type	Reset Value	Description
dmawfp_b_ns	14	sro,ns sraz,n snsro	0x0	When the DMA channel thread executes DMAWFP, this bit indicates whether the burst or single operand were set: 0: single operand set 1: burst operand set
reserved	13:9	rud	0x0	reserved
wakeup_num	8:4	sro,ns sraz,n snsro	0x0	When the DMA channel thread executes a WFE or WFP instruction, these bits indicate the event or peripheral number that the channel is waiting for: Waiting for Event (WFE): 0 0000: waiting for event 0 0 0001: waiting for event 1 ... 0 1111: waiting for event 15 1 xxxx: reserved Waiting for Peripheral (WFP): 0 0000: waiting for peripheral 0 0 0001: waiting for peripheral 1 0 0010: waiting for peripheral 2 0 0011: waiting for peripheral 3 1 11xx: reserved
channel_status	3:0	sro,ns sraz,n snsro	0x0	The channel status encoding is: 0000: Stopped 0001: Executing 0010: Cache miss 0011: Updating PC 0100: Waiting for event 0101: At barrier 0110: reserved 0111: Waiting for peripheral 1000: Killing 1001: Completing 1010 to 1101: reserved 1110: Faulting completing 1111: Faulting.

### Register ([dmac](#)) CPC3

Name CPC3  
 Software Name XDmaPs\_CPCn\_OFFSET(3)  
 Relative Address 0x0000011C

Absolute Address      dmac0\_ns: 0xF800411C  
                               dmac0\_s: 0xF800311C

Width                    32 bits

Access Type            mixed

Reset Value            0x00000000

Description            Channel PC for DMA Channel 3

Register CPC3 Details

Field Name	Bits	Type	Reset Value	Description
pc_chnl	31:0	sro,ns sraz,n snsro	0x0	Program counter (physical memory address) for DMA channel thread.

Register ([dmac](#)) CSR4

Name                    CSR4

Software Name        XDmaPs\_CSn\_OFFSET(4)

Relative Address     0x00000120

Absolute Address    dmac0\_ns: 0xF8004120  
                               dmac0\_s: 0xF8003120

Width                   32 bits

Access Type           mixed

Reset Value           0x00000000

Description           Channel Status DMA Channel 4

Register CSR4 Details

Field Name	Bits	Type	Reset Value	Description
reserved	31:22	rud	0x0	reserved,read undefined
CNS	21	sro,ns sraz,n snsro	0x0	Security status of the DMA channel thread: 0: Secure state 1: Non-secure state.
reserved	20:16	rud	0x0	reserved,read undefined

Field Name	Bits	Type	Reset Value	Description
dmawfp_periph	15	sro,ns sraz,n snsro	0x0	When the DMA channel thread executes DMAWFP, this bit indicates whether the periph operand is set: 0: periph operand not set 1: periph operand set. Note: the status only applies when the channel is connected to one of the four peripheral request interfaces.
dmawfp_b_ns	14	sro,ns sraz,n snsro	0x0	When the DMA channel thread executes DMAWFP, this bit indicates whether the burst or single operand were set: 0: single operand set 1: burst operand set
reserved	13:9	rud	0x0	reserved
wakeup_num	8:4	sro,ns sraz,n snsro	0x0	When the DMA channel thread executes a WFE or WFP instruction, these bits indicate the event or peripheral number that the channel is waiting for: Waiting for Event (WFE): 0 0000: waiting for event 0 0 0001: waiting for event 1 ... 0 1111: waiting for event 15 1 xxxx: reserved Waiting for Peripheral (WFP): 0 0000: waiting for peripheral 0 0 0001: waiting for peripheral 1 0 0010: waiting for peripheral 2 0 0011: waiting for peripheral 3 1 11xx: reserved
channel_status	3:0	sro,ns sraz,n snsro	0x0	The channel status encoding is: 0000: Stopped 0001: Executing 0010: Cache miss 0011: Updating PC 0100: Waiting for event 0101: At barrier 0110: reserved 0111: Waiting for peripheral 1000: Killing 1001: Completing 1010 to 1101: reserved 1110: Faulting completing 1111: Faulting.

### Register ([dmac](#)) CPC4

Name	CPC4
Software Name	XDmaPs_CPCn_OFFSET(4)
Relative Address	0x00000124
Absolute Address	dmac0_ns: 0xF8004124 dmac0_s: 0xF8003124
Width	32 bits
Access Type	mixed
Reset Value	0x00000000
Description	Channel PC for DMA Channel 4

#### Register CPC4 Details

Field Name	Bits	Type	Reset Value	Description
pc_chnl	31:0	sro,ns sraz,n snsro	0x0	Program counter (physical memory address) for DMA channel thread.

### Register ([dmac](#)) CSR5

Name	CSR5
Software Name	XDmaPs_CSn_OFFSET(5)
Relative Address	0x00000128
Absolute Address	dmac0_ns: 0xF8004128 dmac0_s: 0xF8003128
Width	32 bits
Access Type	mixed
Reset Value	0x00000000
Description	Channel Status DMA Channel 5

#### Register CSR5 Details

Field Name	Bits	Type	Reset Value	Description
reserved	31:22	rud	0x0	reserved,read undefined
CNS	21	sro,ns sraz,n snsro	0x0	Security status of the DMA channel thread: 0: Secure state 1: Non-secure state.
reserved	20:16	rud	0x0	reserved,read undefined

Field Name	Bits	Type	Reset Value	Description
dmawfp_periph	15	sro,ns sraz,n snsro	0x0	When the DMA channel thread executes DMAWFP, this bit indicates whether the periph operand is set: 0: periph operand not set 1: periph operand set. Note: the status only applies when the channel is connected to one of the four peripheral request interfaces.
dmawfp_b_ns	14	sro,ns sraz,n snsro	0x0	When the DMA channel thread executes DMAWFP, this bit indicates whether the burst or single operand were set: 0: single operand set 1: burst operand set
reserved	13:9	rud	0x0	reserved
wakeup_num	8:4	sro,ns sraz,n snsro	0x0	When the DMA channel thread executes a WFE or WFP instruction, these bits indicate the event or peripheral number that the channel is waiting for: Waiting for Event (WFE): 0 0000: waiting for event 0 0 0001: waiting for event 1 ... 0 1111: waiting for event 15 1 xxxx: reserved Waiting for Peripheral (WFP): 0 0000: waiting for peripheral 0 0 0001: waiting for peripheral 1 0 0010: waiting for peripheral 2 0 0011: waiting for peripheral 3 1 11xx: reserved
channel_status	3:0	sro,ns sraz,n snsro	0x0	The channel status encoding is: 0000: Stopped 0001: Executing 0010: Cache miss 0011: Updating PC 0100: Waiting for event 0101: At barrier 0110: reserved 0111: Waiting for peripheral 1000: Killing 1001: Completing 1010 to 1101: reserved 1110: Faulting completing 1111: Faulting.

### Register ([dmac](#)) CPC5

Name	CPC5
Software Name	XDmaPs_CPCn_OFFSET(5)
Relative Address	0x0000012C
Absolute Address	dmac0_ns: 0xF800412C dmac0_s: 0xF800312C
Width	32 bits
Access Type	mixed
Reset Value	0x00000000
Description	Channel PC for DMA Channel 5

#### Register CPC5 Details

Field Name	Bits	Type	Reset Value	Description
pc_chnl	31:0	sro,ns sraz,n snsro	0x0	Program counter (physical memory address) for DMA channel thread.

### Register ([dmac](#)) CSR6

Name	CSR6
Software Name	XDmaPs_CSn_OFFSET(6)
Relative Address	0x00000130
Absolute Address	dmac0_ns: 0xF8004130 dmac0_s: 0xF8003130
Width	32 bits
Access Type	mixed
Reset Value	0x00000000
Description	Channel Status DMA Channel 6

#### Register CSR6 Details

Field Name	Bits	Type	Reset Value	Description
reserved	31:22	rud	0x0	reserved,read undefined
CNS	21	sro,ns sraz,n snsro	0x0	Security status of the DMA channel thread: 0: Secure state 1: Non-secure state.
reserved	20:16	rud	0x0	reserved,read undefined



Field Name	Bits	Type	Reset Value	Description
dmawfp_periph	15	sro,ns sraz,n snsro	0x0	When the DMA channel thread executes DMAWFP, this bit indicates whether the periph operand is set: 0: periph operand not set 1: periph operand set. Note: the status only applies when the channel is connected to one of the four peripheral request interfaces.
dmawfp_b_ns	14	sro,ns sraz,n snsro	0x0	When the DMA channel thread executes DMAWFP, this bit indicates whether the burst or single operand were set: 0: single operand set 1: burst operand set
reserved	13:9	rud	0x0	reserved
wakeup_num	8:4	sro,ns sraz,n snsro	0x0	When the DMA channel thread executes a WFE or WFP instruction, these bits indicate the event or peripheral number that the channel is waiting for: Waiting for Event (WFE): 0 0000: waiting for event 0 0 0001: waiting for event 1 ... 0 1111: waiting for event 15 1 xxxx: reserved Waiting for Peripheral (WFP): 0 0000: waiting for peripheral 0 0 0001: waiting for peripheral 1 0 0010: waiting for peripheral 2 0 0011: waiting for peripheral 3 1 11xx: reserved
channel_status	3:0	sro,ns sraz,n snsro	0x0	The channel status encoding is: 0000: Stopped 0001: Executing 0010: Cache miss 0011: Updating PC 0100: Waiting for event 0101: At barrier 0110: reserved 0111: Waiting for peripheral 1000: Killing 1001: Completing 1010 to 1101: reserved 1110: Faulting completing 1111: Faulting.

### Register ([dmac](#)) CPC6

Name	CPC6
Software Name	XDmaPs_CPCn_OFFSET(6)
Relative Address	0x00000134
Absolute Address	dmac0_ns: 0xF8004134 dmac0_s: 0xF8003134
Width	32 bits
Access Type	mixed
Reset Value	0x00000000
Description	Channel PC for DMA Channel 6

#### Register CPC6 Details

Field Name	Bits	Type	Reset Value	Description
pc_chnl	31:0	sro,ns sraz,n snsro	0x0	Program counter (physical memory address) for DMA channel thread.

### Register ([dmac](#)) CSR7

Name	CSR7
Software Name	XDmaPs_CSn_OFFSET(7)
Relative Address	0x00000138
Absolute Address	dmac0_ns: 0xF8004138 dmac0_s: 0xF8003138
Width	32 bits
Access Type	mixed
Reset Value	0x00000000
Description	Channel Status DMA Channel 7

#### Register CSR7 Details

Field Name	Bits	Type	Reset Value	Description
reserved	31:22	rud	0x0	reserved,read undefined
CNS	21	sro,ns sraz,n snsro	0x0	Security status of the DMA channel thread: 0: Secure state 1: Non-secure state.
reserved	20:16	rud	0x0	reserved,read undefined

Field Name	Bits	Type	Reset Value	Description
dmawfp_periph	15	sro,ns sraz,n snsro	0x0	When the DMA channel thread executes DMAWFP, this bit indicates whether the periph operand is set: 0: periph operand not set 1: periph operand set. Note: the status only applies when the channel is connected to one of the four peripheral request interfaces.
dmawfp_b_ns	14	sro,ns sraz,n snsro	0x0	When the DMA channel thread executes DMAWFP, this bit indicates whether the burst or single operand were set: 0: single operand set 1: burst operand set
reserved	13:9	rud	0x0	reserved
wakeup_num	8:4	sro,ns sraz,n snsro	0x0	When the DMA channel thread executes a WFE or WFP instruction, these bits indicate the event or peripheral number that the channel is waiting for: Waiting for Event (WFE): 0 0000: waiting for event 0 0 0001: waiting for event 1 ... 0 1111: waiting for event 15 1 xxxx: reserved Waiting for Peripheral (WFP): 0 0000: waiting for peripheral 0 0 0001: waiting for peripheral 1 0 0010: waiting for peripheral 2 0 0011: waiting for peripheral 3 1 11xx: reserved
channel_status	3:0	sro,ns sraz,n snsro	0x0	The channel status encoding is: 0000: Stopped 0001: Executing 0010: Cache miss 0011: Updating PC 0100: Waiting for event 0101: At barrier 0110: reserved 0111: Waiting for peripheral 1000: Killing 1001: Completing 1010 to 1101: reserved 1110: Faulting completing 1111: Faulting.

### Register ([dmac](#)) CPC7

Name	CPC7
Software Name	XDmaPs_CPCn_OFFSET(7)
Relative Address	0x0000013C
Absolute Address	dmac0_ns: 0xF800413C dmac0_s: 0xF800313C
Width	32 bits
Access Type	mixed
Reset Value	0x00000000
Description	Channel PC for DMA Channel 7

#### Register CPC7 Details

Field Name	Bits	Type	Reset Value	Description
pc_chnl	31:0	sro,ns sraz,n snsro	0x0	Program counter (physical memory address) for DMA channel thread.

### Register ([dmac](#)) SAR0

Name	SAR0
Software Name	SA_0
Relative Address	0x00000400
Absolute Address	dmac0_ns: 0xF8004400 dmac0_s: 0xF8003400
Width	32 bits
Access Type	mixed
Reset Value	0x00000000
Description	Source Address DMA Channel 0

#### Register SAR0 Details

Field Name	Bits	Type	Reset Value	Description
src_addr	31:0	sro,ns sraz,n snsro	0x0	Source data address (physical memory address) for DMA channel thread.

### Register ([dmac](#)) DAR0

Name	DAR0
------	------

Software Name DA\_0  
 Relative Address 0x00000404  
 Absolute Address dmac0\_ns: 0xF8004404  
 dmac0\_s: 0xF8003404  
 Width 32 bits  
 Access Type mixed  
 Reset Value 0x00000000  
 Description Destination Addr DMA Channel 0

Register DAR0 Details

Field Name	Bits	Type	Reset Value	Description
dest_addr	31:0	sro,ns sraz,n snsro	0x0	Destination data address (physical memory address) for DMA channel thread.

Register ([dmac](#)) CCR0

Name CCR0  
 Software Name CC\_0  
 Relative Address 0x00000408  
 Absolute Address dmac0\_ns: 0xF8004408  
 dmac0\_s: 0xF8003408  
 Width 32 bits  
 Access Type mixed  
 Reset Value dmac0\_ns: 0x00000000  
 dmac0\_s: 0x00800200  
 Description Channel Control DMA Channel 0

Register CCR0 Details

Field Name	Bits	Type	Reset Value	Description
reserved	31	rud	0x0	reserved, read undefined
endian_swap_size	30:28	sro,ns sraz,n snsro	0x0	Data swap: little-endian and byte-invariant big-endian (BE-8) formats. 000: No swap, 8-bit data 001: Swap bytes within 16-bit data 010: Swap bytes within 32-bit data 011: Swap bytes within 64-bit data 100: Swap bytes within 128-bit data 101 to 111: Reserved

Field Name	Bits	Type	Reset Value	Description
dst_cache_ctrl	27:25	sro,ns sraz,n snsro	0x0	<p>Programs the AXI AWCACHE signals that are used when the DMAC writes to the destination (0: Low, 1: High):</p> <p>Bit [27] programs AWCACHE[3] Hardwired Low to AWCACHE[2] Bit [26] programs AWCACHE[1] Bit [25] programs AWCACHE[0] Note: Setting AWCACHE[3,1]=b10 violates the AXI protocol.</p>
dst_prot_ctrl	24:22	sro,ns sraz,n snsro	dmac0_ns: 0x0 dmac0_s: 0x2	<p>Programs the AWPROT signals that are used when the DMAC writes the destination data (0: Low, 1: High):</p> <p>Bit [24] programs AWPROT[2] Bit [23] programs AWPROT[1] Bit [22] programs AWPROT[0] Note: Only DMA channels in the Secure state can program AWPROT[1] Low, that is, a secure access. If a DMA channel in the Non-secure state attempts to set AWPROT[1] Low, then the DMA channel aborts.</p>
dst_burst_len	21:18	sro,ns sraz,n snsro	0x0	<p>For each burst, these bits program the number of data transfers that the DMAC performs when it writes the destination data:</p> <p>0000: 1 data transfer 0001: 2 data transfers 0010: 3 data transfers ... 1111: 16 data transfers.</p> <p>The total number of bytes that the DMAC writes out of the MFIFO when it executes a DMAST instruction is the product of dst_burst_len and dst_burst_size.</p> <p>Note: These bits control the state of AWLEN[3:0].</p>

Field Name	Bits	Type	Reset Value	Description
dst_burst_size	17:15	sro,ns sraz,n snsro	0x0	<p>For each beat within a burst, it programs the number of bytes that the DMAC writes to the destination:</p> <p>000: writes 1 byte per beat            001: writes 2 bytes per beat            010: writes 4 bytes per beat            011: writes 8 bytes per beat            100: writes 16 bytes per beat            101 to 111: reserved.</p> <p>The total number of bytes that the DMAC writes out of the MFIFO when it executes a DMAST instruction is the product of dst_burst_len and dst_burst_size. Note: These bits control the state of AWSIZE[2:0].</p>
dst_inc	14	sro,ns sraz,n snsro	0x0	<p>Programs the burst type that the DMAC performs when it writes the destination data:</p> <p>0: Fixed-address burst. The DMAC signals AWBURST[0] Low.            1: Incrementing-address burst. The DMAC signals AWBURST[0] High.</p>
src_cache_ctrl	13:11	sro,ns sraz,n snsro	0x0	<p>Programs the AXI ARCACHE signals that are used for DMA reads of the source data (0: Low, 1: High):</p> <p>Bit [13] programs ARCACHE[2]            Bit [12] programs ARCACHE[1]            Bit [11] programs ARCACHE[0]</p> <p>Note: The DMAC ties ARCACHE[3] Low. Setting ARCACHE[2:1]= b10 violates the AXI protocol.</p>
src_prot_ctrl	10:8	sro,ns sraz,n snsro	dmac0_ns: 0x0 dmac0_s: 0x2	<p>Programs the AXI ARPROT signals that are used for DMA reads of the source data (0: Low, 1: High):</p> <p>Bit [10] programs ARPROT[2]            Bit [9] programs ARPROT[1]            Bit [8] programs ARPROT[0]</p> <p>Note: Only DMA channels in the Secure state can program ARPROT[1] Low, that is, a secure access. If a DMA channel in the Non-secure state attempts to set ARPROT[1] Low, the DMA channel aborts.</p>

Field Name	Bits	Type	Reset Value	Description
src_burst_len	7:4	sro,ns sraz,n snsro	0x0	For each burst, these bits program the number of data transfers that the DMAC performs when it reads the source data: 0000: 1 data transfer 0001: 2 data transfers ... 1111: 16 data transfers. The total number of bytes that the DMAC reads into the MFIFO when it executes a DMALD instruction is the product of src_burst_len and src_burst_size. Note: These bits control the state of ARLEN[3:0].
src_burst_size	3:1	sro,ns sraz,n snsro	0x0	For each beat within a burst, it programs the number of bytes that the DMAC reads from the source: 000: reads 1 byte per beat 001: reads 2 bytes per beat 010: reads 4 bytes per beat 011: reads 8 bytes per beat 100: reads 16 bytes per beat 101 to 111: reserved. The total number of bytes that the DMAC reads into the MFIFO when it executes a DMALD instruction is the product of src_burst_len and src_burst_size. Note: These bits control the state of ARSIZE[2:0].
src_inc	0	sro,ns sraz,n snsro	0x0	Programs the burst type that the DMAC performs when it reads the source data: 0: Fixed-address burst, DMAC signal ARBURST[0] driven Low. 1: Incrementing-address burst, DMAC signal ARBURST[0] driven High.

### Register ([dmac](#)) LC0\_0

Name	LC0_0
Relative Address	0x0000040C
Absolute Address	dmac0_ns: 0xF800440C dmac0_s: 0xF800340C
Width	32 bits
Access Type	mixed
Reset Value	0x00000000
Description	Loop Counter 0 DMA Channel 0



Register LC0\_0 Details

Field Name	Bits	Type	Reset Value	Description
reserved	31:8	rud	0x0	reserved, read undefined
loop_counter_iteration	7:0	sro,ns sraz,n snsro	0x0	Provides the status of loop counter zero for the DMA channel thread. The DMAC updates this register when it executes DMALPEND[S   B], and the DMA channel thread is programmed to use loop counter zero.

Register ([dmac](#)) LC1\_0

Name	LC1_0
Relative Address	0x00000410
Absolute Address	dmac0_ns: 0xF8004410 dmac0_s: 0xF8003410
Width	32 bits
Access Type	mixed
Reset Value	0x00000000
Description	Loop Counter 1 DMA Channel 0

Register LC1\_0 Details

Field Name	Bits	Type	Reset Value	Description
reserved	31:8	rud	0x0	reserved, read undefined
loop_counter_iteration	7:0	sro,ns sraz,n snsro	0x0	Provides the status of loop counter one for the DMA channel thread. The DMAC updates this register when it executes DMALPEND[S   B], and the DMA channel thread is programmed to use loop counter one.

Register ([dmac](#)) SAR1

Name	SAR1
Software Name	XDmaPs_SA_n_OFFSET(1)
Relative Address	0x00000420
Absolute Address	dmac0_ns: 0xF8004420 dmac0_s: 0xF8003420
Width	32 bits
Access Type	mixed
Reset Value	0x00000000

Description Source address DMA Channel 1

Register SAR1 Details

Field Name	Bits	Type	Reset Value	Description
src_addr	31:0	sro,ns sraz,n snsro	0x0	Source data address (physical memory address) for DMA channel thread.

Register ([dmac](#)) DAR1

Name DAR1  
 Software Name XDmaPs\_DA\_n\_OFFSET(1)  
 Relative Address 0x00000424  
 Absolute Address dmac0\_ns: 0xF8004424  
 dmac0\_s: 0xF8003424  
 Width 32 bits  
 Access Type mixed  
 Reset Value 0x00000000  
 Description Destination Addr DMA Channel 1

Register DAR1 Details

Field Name	Bits	Type	Reset Value	Description
dest_addr	31:0	sro,ns sraz,n snsro	0x0	Destination data address (physical memory address) for DMA channel thread.

Register ([dmac](#)) CCR1

Name CCR1  
 Software Name XDmaPs\_CC\_n\_OFFSET(1)  
 Relative Address 0x00000428  
 Absolute Address dmac0\_ns: 0xF8004428  
 dmac0\_s: 0xF8003428  
 Width 32 bits  
 Access Type mixed  
 Reset Value dmac0\_ns: 0x00000000  
 dmac0\_s: 0x00800200  
 Description Channel Control DMA Channel 1

Register CCR1 Details

Field Name	Bits	Type	Reset Value	Description
reserved	31	rud	0x0	reserved, read undefined
endian_swap_size	30:28	sro,ns sraz,n snsro	0x0	Data swap: little-endian and byte-invariant big-endian (BE-8) formats. 000: No swap, 8-bit data 001: Swap bytes within 16-bit data 010: Swap bytes within 32-bit data 011: Swap bytes within 64-bit data 100: Swap bytes within 128-bit data 101 to 111: Reserved
dst_cache_ctrl	27:25	sro,ns sraz,n snsro	0x0	Programs the AXI AWCACHE signals that are used when the DMAC writes to the destination (0: Low, 1: High): Bit [27] programs AWCACHE[3] Hardwired Low to AWCACHE[2] Bit [26] programs AWCACHE[1] Bit [25] programs AWCACHE[0] Note: Setting AWCACHE[3,1]=b10 violates the AXI protocol.
dst_prot_ctrl	24:22	sro,ns sraz,n snsro	dmac0_ns: 0x0 dmac0_s: 0x2	Programs the AWPROT signals that are used when the DMAC writes the destination data (0: Low, 1: High): Bit [24] programs AWPROT[2] Bit [23] programs AWPROT[1] Bit [22] programs AWPROT[0] Note: Only DMA channels in the Secure state can program AWPROT[1] Low, that is, a secure access. If a DMA channel in the Non-secure state attempts to set AWPROT[1] Low, then the DMA channel aborts.
dst_burst_len	21:18	sro,ns sraz,n snsro	0x0	For each burst, these bits program the number of data transfers that the DMAC performs when it writes the destination data: 0000: 1 data transfer 0001: 2 data transfers 0010: 3 data transfers ... 1111: 16 data transfers. The total number of bytes that the DMAC writes out of the MFIFO when it executes a DMAST instruction is the product of dst_burst_len and dst_burst_size. Note: These bits control the state of AWLEN[3:0].

Field Name	Bits	Type	Reset Value	Description
dst_burst_size	17:15	sro,ns sraz,n snsro	0x0	<p>For each beat within a burst, it programs the number of bytes that the DMAC writes to the destination:</p> <p>000: writes 1 byte per beat            001: writes 2 bytes per beat            010: writes 4 bytes per beat            011: writes 8 bytes per beat            100: writes 16 bytes per beat            101 to 111: reserved.</p> <p>The total number of bytes that the DMAC writes out of the MFIFO when it executes a DMAST instruction is the product of dst_burst_len and dst_burst_size. Note: These bits control the state of AWSIZE[2:0].</p>
dst_inc	14	sro,ns sraz,n snsro	0x0	<p>Programs the burst type that the DMAC performs when it writes the destination data:</p> <p>0: Fixed-address burst. The DMAC signals AWBURST[0] Low.            1: Incrementing-address burst. The DMAC signals AWBURST[0] High.</p>
src_cache_ctrl	13:11	sro,ns sraz,n snsro	0x0	<p>Programs the AXI ARCACHE signals that are used for DMA reads of the source data (0: Low, 1: High):</p> <p>Bit [13] programs ARCACHE[2]            Bit [12] programs ARCACHE[1]            Bit [11] programs ARCACHE[0]</p> <p>Note: The DMAC ties ARCACHE[3] Low. Setting ARCACHE[2:1]= b10 violates the AXI protocol.</p>
src_prot_ctrl	10:8	sro,ns sraz,n snsro	dmac0_ns: 0x0 dmac0_s: 0x2	<p>Programs the AXI ARPROT signals that are used for DMA reads of the source data (0: Low, 1: High):</p> <p>Bit [10] programs ARPROT[2]            Bit [9] programs ARPROT[1]            Bit [8] programs ARPROT[0]</p> <p>Note: Only DMA channels in the Secure state can program ARPROT[1] Low, that is, a secure access. If a DMA channel in the Non-secure state attempts to set ARPROT[1] Low, the DMA channel aborts.</p>

Field Name	Bits	Type	Reset Value	Description
src_burst_len	7:4	sro,ns sraz,n snsro	0x0	For each burst, these bits program the number of data transfers that the DMAC performs when it reads the source data: 0000: 1 data transfer 0001: 2 data transfers ... 1111: 16 data transfers. The total number of bytes that the DMAC reads into the MFIFO when it executes a DMALD instruction is the product of src_burst_len and src_burst_size. Note: These bits control the state of ARLEN[3:0].
src_burst_size	3:1	sro,ns sraz,n snsro	0x0	For each beat within a burst, it programs the number of bytes that the DMAC reads from the source: 000: reads 1 byte per beat 001: reads 2 bytes per beat 010: reads 4 bytes per beat 011: reads 8 bytes per beat 100: reads 16 bytes per beat 101 to 111: reserved. The total number of bytes that the DMAC reads into the MFIFO when it executes a DMALD instruction is the product of src_burst_len and src_burst_size. Note: These bits control the state of ARSIZE[2:0].
src_inc	0	sro,ns sraz,n snsro	0x0	Programs the burst type that the DMAC performs when it reads the source data: 0: Fixed-address burst, DMAC signal ARBURST[0] driven Low. 1: Incrementing-address burst, DMAC signal ARBURST[0] driven High.

### Register ([dmac](#)) LC0\_1

Name	LC0_1
Software Name	XDmaPs_LC0_n_OFFSET(1)
Relative Address	0x0000042C
Absolute Address	dmac0_ns: 0xF800442C dmac0_s: 0xF800342C
Width	32 bits
Access Type	mixed
Reset Value	0x00000000

Description Loop Counter 0 DMA Channel 1

Register LC0\_1 Details

Field Name	Bits	Type	Reset Value	Description
reserved	31:8	rud	0x0	reserved, read undefined
loop_counter_iteration	7:0	sro,ns sraz,n snsro	0x0	Provides the status of loop counter zero for the DMA channel thread. The DMAC updates this register when it executes DMALPEND[S   B], and the DMA channel thread is programmed to use loop counter zero.

Register ([dmac](#)) LC1\_1

Name LC1\_1  
 Software Name XDmaPs\_LC1\_n\_OFFSET(1)  
 Relative Address 0x00000430  
 Absolute Address dmac0\_ns: 0xF8004430  
 dmac0\_s: 0xF8003430  
 Width 32 bits  
 Access Type mixed  
 Reset Value 0x00000000  
 Description Loop Counter 1 DMA Channel 1

Register LC1\_1 Details

Field Name	Bits	Type	Reset Value	Description
reserved	31:8	rud	0x0	reserved, read undefined
loop_counter_iteration	7:0	sro,ns sraz,n snsro	0x0	Provides the status of loop counter one for the DMA channel thread. The DMAC updates this register when it executes DMALPEND[S   B], and the DMA channel thread is programmed to use loop counter one.

Register ([dmac](#)) SAR2

Name SAR2  
 Software Name XDmaPs\_SA\_n\_OFFSET(2)  
 Relative Address 0x00000440  
 Absolute Address dmac0\_ns: 0xF8004440  
 dmac0\_s: 0xF8003440  
 Width 32 bits

Access Type                mixed  
 Reset Value                0x00000000  
 Description                Source Address DMA Channel 2

Register SAR2 Details

Field Name	Bits	Type	Reset Value	Description
src_addr	31:0	sro,ns sraz,n snsro	0x0	Source data address (physical memory address) for DMA channel thread.

Register ([dmac](#)) DAR2

Name                        DAR2  
 Software Name              XDmaPs\_DA\_n\_OFFSET(2)  
 Relative Address            0x00000444  
 Absolute Address            dmac0\_ns: 0xF8004444  
                                   dmac0\_s: 0xF8003444  
 Width                        32 bits  
 Access Type                mixed  
 Reset Value                0x00000000  
 Description                Destination Addr DMA Channel 2

Register DAR2 Details

Field Name	Bits	Type	Reset Value	Description
dest_addr	31:0	sro,ns sraz,n snsro	0x0	Destination data address (physical memory address) for DMA channel thread.

Register ([dmac](#)) CCR2

Name                        CCR2  
 Software Name              XDmaPs\_CC\_n\_OFFSET(2)  
 Relative Address            0x00000448  
 Absolute Address            dmac0\_ns: 0xF8004448  
                                   dmac0\_s: 0xF8003448  
 Width                        32 bits  
 Access Type                mixed

Reset Value                    dmac0\_ns: 0x00000000  
                                   dmac0\_s: 0x00800200

Description                    Channel Control DMA Channel 2

## Register CCR2 Details

Field Name	Bits	Type	Reset Value	Description
reserved	31	rud	0x0	reserved, read undefined
endian_swap_size	30:28	sro,ns sraz,n snsro	0x0	Data swap: little-endian and byte-invariant big-endian (BE-8) formats. 000: No swap, 8-bit data 001: Swap bytes within 16-bit data 010: Swap bytes within 32-bit data 011: Swap bytes within 64-bit data 100: Swap bytes within 128-bit data 101 to 111: Reserved
dst_cache_ctrl	27:25	sro,ns sraz,n snsro	0x0	Programs the AXI AWCACHE signals that are used when the DMAC writes to the destination (0: Low, 1: High): Bit [27] programs AWCACHE[3] Hardwired Low to AWCACHE[2] Bit [26] programs AWCACHE[1] Bit [25] programs AWCACHE[0] Note: Setting AWCACHE[3,1]=b10 violates the AXI protocol.
dst_prot_ctrl	24:22	sro,ns sraz,n snsro	dmac0_ns: 0x0 dmac0_s: 0x2	Programs the AWPROT signals that are used when the DMAC writes the destination data (0: Low, 1: High): Bit [24] programs AWPROT[2] Bit [23] programs AWPROT[1] Bit [22] programs AWPROT[0] Note: Only DMA channels in the Secure state can program AWPROT[1] Low, that is, a secure access. If a DMA channel in the Non-secure state attempts to set AWPROT[1] Low, then the DMA channel aborts.



Field Name	Bits	Type	Reset Value	Description
dst_burst_len	21:18	sro,ns sraz,n snsro	0x0	<p>For each burst, these bits program the number of data transfers that the DMAC performs when it writes the destination data:</p> <p>0000: 1 data transfer 0001: 2 data transfers 0010: 3 data transfers ... 1111: 16 data transfers.</p> <p>The total number of bytes that the DMAC writes out of the MFIFO when it executes a DMAST instruction is the product of dst_burst_len and dst_burst_size.</p> <p>Note: These bits control the state of AWLEN[3:0].</p>
dst_burst_size	17:15	sro,ns sraz,n snsro	0x0	<p>For each beat within a burst, it programs the number of bytes that the DMAC writes to the destination:</p> <p>000: writes 1 byte per beat 001: writes 2 bytes per beat 010: writes 4 bytes per beat 011: writes 8 bytes per beat 100: writes 16 bytes per beat 101 to 111: reserved.</p> <p>The total number of bytes that the DMAC writes out of the MFIFO when it executes a DMAST instruction is the product of dst_burst_len and dst_burst_size. Note: These bits control the state of AWSIZE[2:0].</p>
dst_inc	14	sro,ns sraz,n snsro	0x0	<p>Programs the burst type that the DMAC performs when it writes the destination data:</p> <p>0: Fixed-address burst. The DMAC signals AWBURST[0] Low.</p> <p>1: Incrementing-address burst. The DMAC signals AWBURST[0] High.</p>
src_cache_ctrl	13:11	sro,ns sraz,n snsro	0x0	<p>Programs the AXI ARCACHE signals that are used for DMA reads of the source data (0: Low, 1: High):</p> <p>Bit [13] programs ARCACHE[2] Bit [12] programs ARCACHE[1] Bit [11] programs ARCACHE[0]</p> <p>Note: The DMAC ties ARCACHE[3] Low. Setting ARCACHE[2:1]= b10 violates the AXI protocol.</p>

Field Name	Bits	Type	Reset Value	Description
src_prot_ctrl	10:8	sro,ns sraz,n snsro	dmac0_ns: 0x0 dmac0_s: 0x2	<p>Programs the AXI ARPROT signals that are used for DMA reads of the source data (0: Low, 1: High):</p> <p>Bit [10] programs ARPROT[2]                      Bit [9] programs ARPROT[1]                      Bit [8] programs ARPROT[0]</p> <p>Note: Only DMA channels in the Secure state can program ARPROT[1] Low, that is, a secure access. If a DMA channel in the Non-secure state attempts to set ARPROT[1] Low, the DMA channel aborts.</p>
src_burst_len	7:4	sro,ns sraz,n snsro	0x0	<p>For each burst, these bits program the number of data transfers that the DMAC performs when it reads the source data:</p> <p>0000: 1 data transfer                      0001: 2 data transfers                      ...                      1111: 16 data transfers.</p> <p>The total number of bytes that the DMAC reads into the MFIFO when it executes a DMALD instruction is the product of src_burst_len and src_burst_size. Note: These bits control the state of ARLEN[3:0].</p>
src_burst_size	3:1	sro,ns sraz,n snsro	0x0	<p>For each beat within a burst, it programs the number of bytes that the DMAC reads from the source:</p> <p>000: reads 1 byte per beat                      001: reads 2 bytes per beat                      010: reads 4 bytes per beat                      011: reads 8 bytes per beat                      100: reads 16 bytes per beat                      101 to 111: reserved.</p> <p>The total number of bytes that the DMAC reads into the MFIFO when it executes a DMALD instruction is the product of src_burst_len and src_burst_size. Note: These bits control the state of ARSIZE[2:0].</p>
src_inc	0	sro,ns sraz,n snsro	0x0	<p>Programs the burst type that the DMAC performs when it reads the source data:</p> <p>0: Fixed-address burst, DMAC signal ARBURST[0] driven Low.                      1: Incrementing-address burst, DMAC signal ARBURST[0] driven High.</p>

### Register ([dmac](#)) LC0\_2

Name	LC0_2
Software Name	XDmaPs_LC0_n_OFFSET(2)
Relative Address	0x0000044C
Absolute Address	dmac0_ns: 0xF800444C dmac0_s: 0xF800344C
Width	32 bits
Access Type	mixed
Reset Value	0x00000000
Description	Loop Counter 0 DMA Channel 2

#### Register LC0\_2 Details

Field Name	Bits	Type	Reset Value	Description
reserved	31:8	rud	0x0	reserved, read undefined
loop_counter_iteration	7:0	sro,ns sraz,n snsro	0x0	Provides the status of loop counter zero for the DMA channel thread. The DMAC updates this register when it executes DMALPEND[S   B], and the DMA channel thread is programmed to use loop counter zero.

### Register ([dmac](#)) LC1\_2

Name	LC1_2
Software Name	XDmaPs_LC1_n_OFFSET(2)
Relative Address	0x00000450
Absolute Address	dmac0_ns: 0xF8004450 dmac0_s: 0xF8003450
Width	32 bits
Access Type	mixed
Reset Value	0x00000000
Description	Loop Counter 1 DMA Channel 2

Register LC1\_2 Details

Field Name	Bits	Type	Reset Value	Description
reserved	31:8	rud	0x0	reserved, read undefined
loop_counter_iteration	7:0	sro,ns sraz,n snsro	0x0	Provides the status of loop counter one for the DMA channel thread. The DMAC updates this register when it executes DMALPEND[S   B], and the DMA channel thread is programmed to use loop counter one.

Register ([dmac](#)) SAR3

Name	SAR3
Software Name	XDmaPs_SA_n_OFFSET(3)
Relative Address	0x00000460
Absolute Address	dmac0_ns: 0xF8004460 dmac0_s: 0xF8003460
Width	32 bits
Access Type	mixed
Reset Value	0x00000000
Description	Source Address DMA Channel 3

Register SAR3 Details

Field Name	Bits	Type	Reset Value	Description
src_addr	31:0	sro,ns sraz,n snsro	0x0	Source data address (physical memory address) for DMA channel thread.

Register ([dmac](#)) DAR3

Name	DAR3
Software Name	XDmaPs_DA_n_OFFSET(3)
Relative Address	0x00000464
Absolute Address	dmac0_ns: 0xF8004464 dmac0_s: 0xF8003464
Width	32 bits
Access Type	mixed
Reset Value	0x00000000
Description	Destination Addr DMA Channel 3

Register DAR3 Details

Field Name	Bits	Type	Reset Value	Description
dest_addr	31:0	sro,ns sraz,n snsro	0x0	Destination data address (physical memory address) for DMA channel thread.

Register ([dmac](#)) CCR3

Name	CCR3
Software Name	XDmaPs_CC_n_OFFSET(3)
Relative Address	0x00000468
Absolute Address	dmac0_ns: 0xF8004468 dmac0_s: 0xF8003468
Width	32 bits
Access Type	mixed
Reset Value	dmac0_ns: 0x00000000 dmac0_s: 0x00800200
Description	Channel Control DMA Channel 3

Register CCR3 Details

Field Name	Bits	Type	Reset Value	Description
reserved	31	rud	0x0	reserved, read undefined
endian_swap_size	30:28	sro,ns sraz,n snsro	0x0	Data swap: little-endian and byte-invariant big-endian (BE-8) formats. 000: No swap, 8-bit data 001: Swap bytes within 16-bit data 010: Swap bytes within 32-bit data 011: Swap bytes within 64-bit data 100: Swap bytes within 128-bit data 101 to 111: Reserved
dst_cache_ctrl	27:25	sro,ns sraz,n snsro	0x0	Programs the AXI AWCACHE signals that are used when the DMAC writes to the destination (0: Low, 1: High): Bit [27] programs AWCACHE[3] Hardwired Low to AWCACHE[2] Bit [26] programs AWCACHE[1] Bit [25] programs AWCACHE[0] Note: Setting AWCACHE[3,1]=b10 violates the AXI protocol.

Field Name	Bits	Type	Reset Value	Description
dst_prot_ctrl	24:22	sro,ns sraz,n snsro	dmac0_ns: 0x0 dmac0_s: 0x2	<p>Programs the AWPROT signals that are used when the DMAC writes the destination data (0: Low, 1: High):</p> <p>Bit [24] programs AWPROT[2]                      Bit [23] programs AWPROT[1]                      Bit [22] programs AWPROT[0]</p> <p>Note: Only DMA channels in the Secure state can program AWPROT[1] Low, that is, a secure access. If a DMA channel in the Non-secure state attempts to set AWPROT[1] Low, then the DMA channel aborts.</p>
dst_burst_len	21:18	sro,ns sraz,n snsro	0x0	<p>For each burst, these bits program the number of data transfers that the DMAC performs when it writes the destination data:</p> <p>0000: 1 data transfer                      0001: 2 data transfers                      0010: 3 data transfers                      ...                      1111: 16 data transfers.</p> <p>The total number of bytes that the DMAC writes out of the MFIFO when it executes a DMAST instruction is the product of dst_burst_len and dst_burst_size.</p> <p>Note: These bits control the state of AWLEN[3:0].</p>
dst_burst_size	17:15	sro,ns sraz,n snsro	0x0	<p>For each beat within a burst, it programs the number of bytes that the DMAC writes to the destination:</p> <p>000: writes 1 byte per beat                      001: writes 2 bytes per beat                      010: writes 4 bytes per beat                      011: writes 8 bytes per beat                      100: writes 16 bytes per beat                      101 to 111: reserved.</p> <p>The total number of bytes that the DMAC writes out of the MFIFO when it executes a DMAST instruction is the product of dst_burst_len and dst_burst_size. Note: These bits control the state of AWSIZE[2:0].</p>
dst_inc	14	sro,ns sraz,n snsro	0x0	<p>Programs the burst type that the DMAC performs when it writes the destination data:</p> <p>0: Fixed-address burst. The DMAC signals AWBURST[0] Low.                      1: Incrementing-address burst. The DMAC signals AWBURST[0] High.</p>

Field Name	Bits	Type	Reset Value	Description
src_cache_ctrl	13:11	sro,ns sraz,n snsro	0x0	<p>Programs the AXI ARCACHE signals that are used for DMA reads of the source data (0: Low, 1: High):</p> <p>Bit [13] programs ARCACHE[2]            Bit [12] programs ARCACHE[1]            Bit [11] programs ARCACHE[0]</p> <p>Note: The DMAC ties ARCACHE[3] Low. Setting ARCACHE[2:1]= b10 violates the AXI protocol.</p>
src_prot_ctrl	10:8	sro,ns sraz,n snsro	dmac0_ns: 0x0 dmac0_s: 0x2	<p>Programs the AXI ARPROT signals that are used for DMA reads of the source data (0: Low, 1: High):</p> <p>Bit [10] programs ARPROT[2]            Bit [9] programs ARPROT[1]            Bit [8] programs ARPROT[0]</p> <p>Note: Only DMA channels in the Secure state can program ARPROT[1] Low, that is, a secure access. If a DMA channel in the Non-secure state attempts to set ARPROT[1] Low, the DMA channel aborts.</p>
src_burst_len	7:4	sro,ns sraz,n snsro	0x0	<p>For each burst, these bits program the number of data transfers that the DMAC performs when it reads the source data:</p> <p>0000: 1 data transfer            0001: 2 data transfers            ...            1111: 16 data transfers.</p> <p>The total number of bytes that the DMAC reads into the MFIFO when it executes a DMALD instruction is the product of src_burst_len and src_burst_size. Note: These bits control the state of ARLEN[3:0].</p>

Field Name	Bits	Type	Reset Value	Description
src_burst_size	3:1	sro,ns sraz,n snsro	0x0	For each beat within a burst, it programs the number of bytes that the DMAC reads from the source: 000: reads 1 byte per beat 001: reads 2 bytes per beat 010: reads 4 bytes per beat 011: reads 8 bytes per beat 100: reads 16 bytes per beat 101 to 111: reserved. The total number of bytes that the DMAC reads into the MFIFO when it executes a DMALD instruction is the product of src_burst_len and src_burst_size. Note: These bits control the state of ARSIZE[2:0].
src_inc	0	sro,ns sraz,n snsro	0x0	Programs the burst type that the DMAC performs when it reads the source data: 0: Fixed-address burst, DMAC signal ARBURST[0] driven Low. 1: Incrementing-address burst, DMAC signal ARBURST[0] driven High.

### Register ([dmac](#)) LC0\_3

Name	LC0_3
Software Name	XDmaPs_LC0_n_OFFSET(3)
Relative Address	0x0000046C
Absolute Address	dmac0_ns: 0xF800446C dmac0_s: 0xF800346C
Width	32 bits
Access Type	mixed
Reset Value	0x00000000
Description	Loop Counter 0 DMA Channel 3

#### Register LC0\_3 Details

Field Name	Bits	Type	Reset Value	Description
reserved	31:8	rud	0x0	reserved, read undefined
loop_counter_iteration	7:0	sro,ns sraz,n snsro	0x0	Provides the status of loop counter zero for the DMA channel thread. The DMAC updates this register when it executes DMALPEND[S   B], and the DMA channel thread is programmed to use loop counter zero.



### Register ([dmac](#)) LC1\_3

Name	LC1_3
Software Name	XDmaPs_LC1_n_OFFSET(3)
Relative Address	0x00000470
Absolute Address	dmac0_ns: 0xF8004470 dmac0_s: 0xF8003470
Width	32 bits
Access Type	mixed
Reset Value	0x00000000
Description	Loop Counter 1 DMA Channel 3

#### Register LC1\_3 Details

Field Name	Bits	Type	Reset Value	Description
reserved	31:8	rud	0x0	reserved, read undefined
loop_counter_iteration	7:0	sro,ns sraz,n snsro	0x0	Provides the status of loop counter one for the DMA channel thread. The DMAC updates this register when it executes DMALPEND[S   B], and the DMA channel thread is programmed to use loop counter one.

### Register ([dmac](#)) SAR4

Name	SAR4
Software Name	XDmaPs_SA_n_OFFSET(4)
Relative Address	0x00000480
Absolute Address	dmac0_ns: 0xF8004480 dmac0_s: 0xF8003480
Width	32 bits
Access Type	mixed
Reset Value	0x00000000
Description	Source Address DMA Channel 4

#### Register SAR4 Details

Field Name	Bits	Type	Reset Value	Description
src_addr	31:0	sro,ns sraz,n snsro	0x0	Source data address (physical memory address) for DMA channel thread.

### Register ([dmac](#)) DAR4

Name	DAR4
Software Name	XDmaPs_DA_n_OFFSET(4)
Relative Address	0x00000484
Absolute Address	dmac0_ns: 0xF8004484 dmac0_s: 0xF8003484
Width	32 bits
Access Type	mixed
Reset Value	0x00000000
Description	Destination Addr DMA Channel 4

#### Register DAR4 Details

Field Name	Bits	Type	Reset Value	Description
dest_addr	31:0	sro,ns sraz,n snsro	0x0	Destination data address (physical memory address) for DMA channel thread.

### Register ([dmac](#)) CCR4

Name	CCR4
Software Name	XDmaPs_CC_n_OFFSET(4)
Relative Address	0x00000488
Absolute Address	dmac0_ns: 0xF8004488 dmac0_s: 0xF8003488
Width	32 bits
Access Type	mixed
Reset Value	dmac0_ns: 0x00000000 dmac0_s: 0x00800200
Description	Channel Control DMA Channel 4

Register CCR4 Details

Field Name	Bits	Type	Reset Value	Description
reserved	31	rud	0x0	reserved, read undefined
endian_swap_size	30:28	sro,ns sraz,n snsro	0x0	Data swap: little-endian and byte-invariant big-endian (BE-8) formats. 000: No swap, 8-bit data 001: Swap bytes within 16-bit data 010: Swap bytes within 32-bit data 011: Swap bytes within 64-bit data 100: Swap bytes within 128-bit data 101 to 111: Reserved
dst_cache_ctrl	27:25	sro,ns sraz,n snsro	0x0	Programs the AXI AWCACHE signals that are used when the DMAC writes to the destination (0: Low, 1: High): Bit [27] programs AWCACHE[3] Hardwired Low to AWCACHE[2] Bit [26] programs AWCACHE[1] Bit [25] programs AWCACHE[0] Note: Setting AWCACHE[3,1]=b10 violates the AXI protocol.
dst_prot_ctrl	24:22	sro,ns sraz,n snsro	dmac0_ns: 0x0 dmac0_s: 0x2	Programs the AWPROT signals that are used when the DMAC writes the destination data (0: Low, 1: High): Bit [24] programs AWPROT[2] Bit [23] programs AWPROT[1] Bit [22] programs AWPROT[0] Note: Only DMA channels in the Secure state can program AWPROT[1] Low, that is, a secure access. If a DMA channel in the Non-secure state attempts to set AWPROT[1] Low, then the DMA channel aborts.
dst_burst_len	21:18	sro,ns sraz,n snsro	0x0	For each burst, these bits program the number of data transfers that the DMAC performs when it writes the destination data: 0000: 1 data transfer 0001: 2 data transfers 0010: 3 data transfers ... 1111: 16 data transfers. The total number of bytes that the DMAC writes out of the MFIFO when it executes a DMAST instruction is the product of dst_burst_len and dst_burst_size. Note: These bits control the state of AWLEN[3:0].

Field Name	Bits	Type	Reset Value	Description
dst_burst_size	17:15	sro,ns sraz,n snsro	0x0	<p>For each beat within a burst, it programs the number of bytes that the DMAC writes to the destination:</p> <p>000: writes 1 byte per beat            001: writes 2 bytes per beat            010: writes 4 bytes per beat            011: writes 8 bytes per beat            100: writes 16 bytes per beat            101 to 111: reserved.</p> <p>The total number of bytes that the DMAC writes out of the MFIFO when it executes a DMAST instruction is the product of dst_burst_len and dst_burst_size. Note: These bits control the state of AWSIZE[2:0].</p>
dst_inc	14	sro,ns sraz,n snsro	0x0	<p>Programs the burst type that the DMAC performs when it writes the destination data:</p> <p>0: Fixed-address burst. The DMAC signals AWBURST[0] Low.            1: Incrementing-address burst. The DMAC signals AWBURST[0] High.</p>
src_cache_ctrl	13:11	sro,ns sraz,n snsro	0x0	<p>Programs the AXI ARCACHE signals that are used for DMA reads of the source data (0: Low, 1: High):</p> <p>Bit [13] programs ARCACHE[2]            Bit [12] programs ARCACHE[1]            Bit [11] programs ARCACHE[0]</p> <p>Note: The DMAC ties ARCACHE[3] Low. Setting ARCACHE[2:1]= b10 violates the AXI protocol.</p>
src_prot_ctrl	10:8	sro,ns sraz,n snsro	dmac0_ns: 0x0 dmac0_s: 0x2	<p>Programs the AXI ARPROT signals that are used for DMA reads of the source data (0: Low, 1: High):</p> <p>Bit [10] programs ARPROT[2]            Bit [9] programs ARPROT[1]            Bit [8] programs ARPROT[0]</p> <p>Note: Only DMA channels in the Secure state can program ARPROT[1] Low, that is, a secure access. If a DMA channel in the Non-secure state attempts to set ARPROT[1] Low, the DMA channel aborts.</p>

Field Name	Bits	Type	Reset Value	Description
src_burst_len	7:4	sro,ns sraz,n snsro	0x0	For each burst, these bits program the number of data transfers that the DMAC performs when it reads the source data: 0000: 1 data transfer 0001: 2 data transfers ... 1111: 16 data transfers. The total number of bytes that the DMAC reads into the MFIFO when it executes a DMALD instruction is the product of src_burst_len and src_burst_size. Note: These bits control the state of ARLEN[3:0].
src_burst_size	3:1	sro,ns sraz,n snsro	0x0	For each beat within a burst, it programs the number of bytes that the DMAC reads from the source: 000: reads 1 byte per beat 001: reads 2 bytes per beat 010: reads 4 bytes per beat 011: reads 8 bytes per beat 100: reads 16 bytes per beat 101 to 111: reserved. The total number of bytes that the DMAC reads into the MFIFO when it executes a DMALD instruction is the product of src_burst_len and src_burst_size. Note: These bits control the state of ARSIZE[2:0].
src_inc	0	sro,ns sraz,n snsro	0x0	Programs the burst type that the DMAC performs when it reads the source data: 0: Fixed-address burst, DMAC signal ARBURST[0] driven Low. 1: Incrementing-address burst, DMAC signal ARBURST[0] driven High.

### Register ([dmac](#)) LC0\_4

Name	LC0_4
Software Name	XDmaPs_LC0_n_OFFSET(4)
Relative Address	0x0000048C
Absolute Address	dmac0_ns: 0xF800448C dmac0_s: 0xF800348C
Width	32 bits
Access Type	mixed
Reset Value	0x00000000

Description Loop Counter 0 DMA Channel 4

Register LC0\_4 Details

Field Name	Bits	Type	Reset Value	Description
reserved	31:8	rud	0x0	reserved, read undefined
loop_counter_iteration	7:0	sro,ns sraz,n snsro	0x0	Provides the status of loop counter zero for the DMA channel thread. The DMAC updates this register when it executes DMALPEND[S   B], and the DMA channel thread is programmed to use loop counter zero.

Register ([dmac](#)) LC1\_4

Name LC1\_4  
 Software Name XDmaPs\_LC1\_n\_OFFSET(4)  
 Relative Address 0x00000490  
 Absolute Address dmac0\_ns: 0xF8004490  
 dmac0\_s: 0xF8003490  
 Width 32 bits  
 Access Type mixed  
 Reset Value 0x00000000  
 Description Loop Counter 1 DMA Channel 4

Register LC1\_4 Details

Field Name	Bits	Type	Reset Value	Description
reserved	31:8	rud	0x0	reserved, read undefined
loop_counter_iteration	7:0	sro,ns sraz,n snsro	0x0	Provides the status of loop counter one for the DMA channel thread. The DMAC updates this register when it executes DMALPEND[S   B], and the DMA channel thread is programmed to use loop counter one.

Register ([dmac](#)) SAR5

Name SAR5  
 Software Name XDmaPs\_SA\_n\_OFFSET(5)  
 Relative Address 0x000004A0  
 Absolute Address dmac0\_ns: 0xF80044A0  
 dmac0\_s: 0xF80034A0  
 Width 32 bits

Access Type            mixed  
 Reset Value            0x00000000  
 Description            Source Address DMA Channel 5

Register SAR5 Details

Field Name	Bits	Type	Reset Value	Description
src_addr	31:0	sro,ns sraz,n snsro	0x0	Source data address (physical memory address) for DMA channel thread.

Register ([dmac](#)) DAR5

Name                    DAR5  
 Software Name        XDmaPs\_DA\_n\_OFFSET(5)  
 Relative Address     0x000004A4  
 Absolute Address    dmac0\_ns: 0xF80044A4  
                           dmac0\_s: 0xF80034A4  
 Width                 32 bits  
 Access Type         mixed  
 Reset Value         0x00000000  
 Description         Destination Addr DMA Channel 5

Register DAR5 Details

Field Name	Bits	Type	Reset Value	Description
dest_addr	31:0	sro,ns sraz,n snsro	0x0	Destination data address (physical memory address) for DMA channel thread.

Register ([dmac](#)) CCR5

Name                    CCR5  
 Software Name        XDmaPs\_CC\_n\_OFFSET(5)  
 Relative Address     0x000004A8  
 Absolute Address    dmac0\_ns: 0xF80044A8  
                           dmac0\_s: 0xF80034A8  
 Width                 32 bits  
 Access Type         mixed

Reset Value                    dmac0\_ns: 0x00000000  
                                       dmac0\_s: 0x00800200

Description                    Channel Control DMA Channel 5

## Register CCR5 Details

Field Name	Bits	Type	Reset Value	Description
reserved	31	rud	0x0	reserved, read undefined
endian_swap_size	30:28	sro,ns sraz,n snsro	0x0	Data swap: little-endian and byte-invariant big-endian (BE-8) formats. 000: No swap, 8-bit data 001: Swap bytes within 16-bit data 010: Swap bytes within 32-bit data 011: Swap bytes within 64-bit data 100: Swap bytes within 128-bit data 101 to 111: Reserved
dst_cache_ctrl	27:25	sro,ns sraz,n snsro	0x0	Programs the AXI AWCACHE signals that are used when the DMAC writes to the destination (0: Low, 1: High): Bit [27] programs AWCACHE[3] Hardwired Low to AWCACHE[2] Bit [26] programs AWCACHE[1] Bit [25] programs AWCACHE[0] Note: Setting AWCACHE[3,1]=b10 violates the AXI protocol.
dst_prot_ctrl	24:22	sro,ns sraz,n snsro	dmac0_ns: 0x0 dmac0_s: 0x2	Programs the AWPROT signals that are used when the DMAC writes the destination data (0: Low, 1: High): Bit [24] programs AWPROT[2] Bit [23] programs AWPROT[1] Bit [22] programs AWPROT[0] Note: Only DMA channels in the Secure state can program AWPROT[1] Low, that is, a secure access. If a DMA channel in the Non-secure state attempts to set AWPROT[1] Low, then the DMA channel aborts.



Field Name	Bits	Type	Reset Value	Description
dst_burst_len	21:18	sro,ns sraz,n snsro	0x0	<p>For each burst, these bits program the number of data transfers that the DMAC performs when it writes the destination data:</p> <p>0000: 1 data transfer 0001: 2 data transfers 0010: 3 data transfers ...</p> <p>1111: 16 data transfers.</p> <p>The total number of bytes that the DMAC writes out of the MFIFO when it executes a DMAST instruction is the product of dst_burst_len and dst_burst_size.</p> <p>Note: These bits control the state of AWLEN[3:0].</p>
dst_burst_size	17:15	sro,ns sraz,n snsro	0x0	<p>For each beat within a burst, it programs the number of bytes that the DMAC writes to the destination:</p> <p>000: writes 1 byte per beat 001: writes 2 bytes per beat 010: writes 4 bytes per beat 011: writes 8 bytes per beat 100: writes 16 bytes per beat 101 to 111: reserved.</p> <p>The total number of bytes that the DMAC writes out of the MFIFO when it executes a DMAST instruction is the product of dst_burst_len and dst_burst_size. Note: These bits control the state of AWSIZE[2:0].</p>
dst_inc	14	sro,ns sraz,n snsro	0x0	<p>Programs the burst type that the DMAC performs when it writes the destination data:</p> <p>0: Fixed-address burst. The DMAC signals AWBURST[0] Low.</p> <p>1: Incrementing-address burst. The DMAC signals AWBURST[0] High.</p>
src_cache_ctrl	13:11	sro,ns sraz,n snsro	0x0	<p>Programs the AXI ARCACHE signals that are used for DMA reads of the source data (0: Low, 1: High):</p> <p>Bit [13] programs ARCACHE[2] Bit [12] programs ARCACHE[1] Bit [11] programs ARCACHE[0]</p> <p>Note: The DMAC ties ARCACHE[3] Low. Setting ARCACHE[2:1]= b10 violates the AXI protocol.</p>

Field Name	Bits	Type	Reset Value	Description
src_prot_ctrl	10:8	sro,ns sraz,n snsro	dmac0_ns: 0x0 dmac0_s: 0x2	<p>Programs the AXI ARPROT signals that are used for DMA reads of the source data (0: Low, 1: High):</p> <p>Bit [10] programs ARPROT[2]            Bit [9] programs ARPROT[1]            Bit [8] programs ARPROT[0]</p> <p>Note: Only DMA channels in the Secure state can program ARPROT[1] Low, that is, a secure access. If a DMA channel in the Non-secure state attempts to set ARPROT[1] Low, the DMA channel aborts.</p>
src_burst_len	7:4	sro,ns sraz,n snsro	0x0	<p>For each burst, these bits program the number of data transfers that the DMAC performs when it reads the source data:</p> <p>0000: 1 data transfer            0001: 2 data transfers            ...            1111: 16 data transfers.</p> <p>The total number of bytes that the DMAC reads into the MFIFO when it executes a DMALD instruction is the product of src_burst_len and src_burst_size. Note: These bits control the state of ARLEN[3:0].</p>
src_burst_size	3:1	sro,ns sraz,n snsro	0x0	<p>For each beat within a burst, it programs the number of bytes that the DMAC reads from the source:</p> <p>000: reads 1 byte per beat            001: reads 2 bytes per beat            010: reads 4 bytes per beat            011: reads 8 bytes per beat            100: reads 16 bytes per beat            101 to 111: reserved.</p> <p>The total number of bytes that the DMAC reads into the MFIFO when it executes a DMALD instruction is the product of src_burst_len and src_burst_size. Note: These bits control the state of ARSIZE[2:0].</p>
src_inc	0	sro,ns sraz,n snsro	0x0	<p>Programs the burst type that the DMAC performs when it reads the source data:</p> <p>0: Fixed-address burst, DMAC signal ARBURST[0] driven Low.            1: Incrementing-address burst, DMAC signal ARBURST[0] driven High.</p>

### Register ([dmac](#)) LC0\_5

Name	LC0_5
Software Name	XDmaPs_LC0_n_OFFSET(5)
Relative Address	0x000004AC
Absolute Address	dmac0_ns: 0xF80044AC dmac0_s: 0xF80034AC
Width	32 bits
Access Type	mixed
Reset Value	0x00000000
Description	Loop Counter 0 DMA Channel 5

#### Register LC0\_5 Details

Field Name	Bits	Type	Reset Value	Description
reserved	31:8	rud	0x0	reserved, read undefined
loop_counter_iteration	7:0	sro,ns sraz,n snsro	0x0	Provides the status of loop counter zero for the DMA channel thread. The DMAC updates this register when it executes DMALPEND[S   B], and the DMA channel thread is programmed to use loop counter zero.

### Register ([dmac](#)) LC1\_5

Name	LC1_5
Software Name	XDmaPs_LC1_n_OFFSET(5)
Relative Address	0x000004B0
Absolute Address	dmac0_ns: 0xF80044B0 dmac0_s: 0xF80034B0
Width	32 bits
Access Type	mixed
Reset Value	0x00000000
Description	Loop Counter 1 DMA Channel 5

Register LC1\_5 Details

Field Name	Bits	Type	Reset Value	Description
reserved	31:8	rud	0x0	reserved, read undefined
loop_counter_iteration	7:0	sro,ns sraz,n snsro	0x0	Provides the status of loop counter one for the DMA channel thread. The DMAC updates this register when it executes DMALPEND[S   B], and the DMA channel thread is programmed to use loop counter one.

Register ([dmac](#)) SAR6

Name	SAR6
Software Name	XDmaPs_SA_n_OFFSET(6)
Relative Address	0x000004C0
Absolute Address	dmac0_ns: 0xF80044C0 dmac0_s: 0xF80034C0
Width	32 bits
Access Type	mixed
Reset Value	0x00000000
Description	Source Address DMA Channel 6

Register SAR6 Details

Field Name	Bits	Type	Reset Value	Description
src_addr	31:0	sro,ns sraz,n snsro	0x0	Source data address (physical memory address) for DMA channel thread.

Register ([dmac](#)) DAR6

Name	DAR6
Software Name	XDmaPs_DA_n_OFFSET(6)
Relative Address	0x000004C4
Absolute Address	dmac0_ns: 0xF80044C4 dmac0_s: 0xF80034C4
Width	32 bits
Access Type	mixed
Reset Value	0x00000000
Description	Destination Addr DMA Channel 6

Register DAR6 Details

Field Name	Bits	Type	Reset Value	Description
dest_addr	31:0	sro,ns sraz,n snsro	0x0	Destination data address (physical memory address) for DMA channel thread.

Register ([dmac](#)) CCR6

Name	CCR6
Software Name	XDmaPs_CC_n_OFFSET(6)
Relative Address	0x000004C8
Absolute Address	dmac0_ns: 0xF80044C8 dmac0_s: 0xF80034C8
Width	32 bits
Access Type	mixed
Reset Value	dmac0_ns: 0x00000000 dmac0_s: 0x00800200
Description	Channel Control DMA Channel 6

Register CCR6 Details

Field Name	Bits	Type	Reset Value	Description
reserved	31	rud	0x0	reserved, read undefined
endian_swap_size	30:28	sro,ns sraz,n snsro	0x0	Data swap: little-endian and byte-invariant big-endian (BE-8) formats. 000: No swap, 8-bit data 001: Swap bytes within 16-bit data 010: Swap bytes within 32-bit data 011: Swap bytes within 64-bit data 100: Swap bytes within 128-bit data 101 to 111: Reserved
dst_cache_ctrl	27:25	sro,ns sraz,n snsro	0x0	Programs the AXI AWCACHE signals that are used when the DMAC writes to the destination (0: Low, 1: High): Bit [27] programs AWCACHE[3] Hardwired Low to AWCACHE[2] Bit [26] programs AWCACHE[1] Bit [25] programs AWCACHE[0] Note: Setting AWCACHE[3,1]=b10 violates the AXI protocol.

Field Name	Bits	Type	Reset Value	Description
dst_prot_ctrl	24:22	sro,ns sraz,n snsro	dmac0_ns: 0x0 dmac0_s: 0x2	<p>Programs the AWPROT signals that are used when the DMAC writes the destination data (0: Low, 1: High):</p> <p>Bit [24] programs AWPROT[2]            Bit [23] programs AWPROT[1]            Bit [22] programs AWPROT[0]</p> <p>Note: Only DMA channels in the Secure state can program AWPROT[1] Low, that is, a secure access. If a DMA channel in the Non-secure state attempts to set AWPROT[1] Low, then the DMA channel aborts.</p>
dst_burst_len	21:18	sro,ns sraz,n snsro	0x0	<p>For each burst, these bits program the number of data transfers that the DMAC performs when it writes the destination data:</p> <p>0000: 1 data transfer            0001: 2 data transfers            0010: 3 data transfers            ...            1111: 16 data transfers.</p> <p>The total number of bytes that the DMAC writes out of the MFIFO when it executes a DMAST instruction is the product of dst_burst_len and dst_burst_size.</p> <p>Note: These bits control the state of AWLEN[3:0].</p>
dst_burst_size	17:15	sro,ns sraz,n snsro	0x0	<p>For each beat within a burst, it programs the number of bytes that the DMAC writes to the destination:</p> <p>000: writes 1 byte per beat            001: writes 2 bytes per beat            010: writes 4 bytes per beat            011: writes 8 bytes per beat            100: writes 16 bytes per beat            101 to 111: reserved.</p> <p>The total number of bytes that the DMAC writes out of the MFIFO when it executes a DMAST instruction is the product of dst_burst_len and dst_burst_size. Note: These bits control the state of AWSIZE[2:0].</p>
dst_inc	14	sro,ns sraz,n snsro	0x0	<p>Programs the burst type that the DMAC performs when it writes the destination data:</p> <p>0: Fixed-address burst. The DMAC signals AWBURST[0] Low.            1: Incrementing-address burst. The DMAC signals AWBURST[0] High.</p>

Field Name	Bits	Type	Reset Value	Description
src_cache_ctrl	13:11	sro,ns sraz,n snsro	0x0	<p>Programs the AXI ARCACHE signals that are used for DMA reads of the source data (0: Low, 1: High):</p> <p>Bit [13] programs ARCACHE[2]            Bit [12] programs ARCACHE[1]            Bit [11] programs ARCACHE[0]</p> <p>Note: The DMAC ties ARCACHE[3] Low. Setting ARCACHE[2:1]= b10 violates the AXI protocol.</p>
src_prot_ctrl	10:8	sro,ns sraz,n snsro	dmac0_ns: 0x0 dmac0_s: 0x2	<p>Programs the AXI ARPROT signals that are used for DMA reads of the source data (0: Low, 1: High):</p> <p>Bit [10] programs ARPROT[2]            Bit [9] programs ARPROT[1]            Bit [8] programs ARPROT[0]</p> <p>Note: Only DMA channels in the Secure state can program ARPROT[1] Low, that is, a secure access. If a DMA channel in the Non-secure state attempts to set ARPROT[1] Low, the DMA channel aborts.</p>
src_burst_len	7:4	sro,ns sraz,n snsro	0x0	<p>For each burst, these bits program the number of data transfers that the DMAC performs when it reads the source data:</p> <p>0000: 1 data transfer            0001: 2 data transfers            ...            1111: 16 data transfers.</p> <p>The total number of bytes that the DMAC reads into the MFIFO when it executes a DMALD instruction is the product of src_burst_len and src_burst_size. Note: These bits control the state of ARLEN[3:0].</p>

Field Name	Bits	Type	Reset Value	Description
src_burst_size	3:1	sro,ns sraz,n snsro	0x0	For each beat within a burst, it programs the number of bytes that the DMAC reads from the source: 000: reads 1 byte per beat 001: reads 2 bytes per beat 010: reads 4 bytes per beat 011: reads 8 bytes per beat 100: reads 16 bytes per beat 101 to 111: reserved. The total number of bytes that the DMAC reads into the MFIFO when it executes a DMALD instruction is the product of src_burst_len and src_burst_size. Note: These bits control the state of ARSIZE[2:0].
src_inc	0	sro,ns sraz,n snsro	0x0	Programs the burst type that the DMAC performs when it reads the source data: 0: Fixed-address burst, DMAC signal ARBURST[0] driven Low. 1: Incrementing-address burst, DMAC signal ARBURST[0] driven High.

### Register ([dmac](#)) LC0\_6

Name	LC0_6
Software Name	XDmaPs_LC0_n_OFFSET(6)
Relative Address	0x000004CC
Absolute Address	dmac0_ns: 0xF80044CC dmac0_s: 0xF80034CC
Width	32 bits
Access Type	mixed
Reset Value	0x00000000
Description	Loop Counter 0 DMA Channel 6

#### Register LC0\_6 Details

Field Name	Bits	Type	Reset Value	Description
reserved	31:8	rud	0x0	reserved, read undefined
loop_counter_iteration	7:0	sro,ns sraz,n snsro	0x0	Provides the status of loop counter zero for the DMA channel thread. The DMAC updates this register when it executes DMALPEND[S   B], and the DMA channel thread is programmed to use loop counter zero.



### Register ([dmac](#)) LC1\_6

Name	LC1_6
Software Name	XDmaPs_LC1_n_OFFSET(6)
Relative Address	0x000004D0
Absolute Address	dmac0_ns: 0xF80044D0 dmac0_s: 0xF80034D0
Width	32 bits
Access Type	mixed
Reset Value	0x00000000
Description	Loop Counter 1 DMA Channel 6

#### Register LC1\_6 Details

Field Name	Bits	Type	Reset Value	Description
reserved	31:8	rud	0x0	reserved, read undefined
loop_counter_iteration	7:0	sro,ns sraz,n snsro	0x0	Provides the status of loop counter one for the DMA channel thread. The DMAC updates this register when it executes DMALPEND[S   B], and the DMA channel thread is programmed to use loop counter one.

### Register ([dmac](#)) SAR7

Name	SAR7
Software Name	XDmaPs_SA_n_OFFSET(7)
Relative Address	0x000004E0
Absolute Address	dmac0_ns: 0xF80044E0 dmac0_s: 0xF80034E0
Width	32 bits
Access Type	mixed
Reset Value	0x00000000
Description	Source Address DMA Channel 7

#### Register SAR7 Details

Field Name	Bits	Type	Reset Value	Description
src_addr	31:0	sro,ns sraz,n snsro	0x0	Source data address (physical memory address) for DMA channel thread.

### Register ([dmac](#)) DAR7

Name	DAR7
Software Name	XDmaPs_DA_n_OFFSET(7)
Relative Address	0x000004E4
Absolute Address	dmac0_ns: 0xF80044E4 dmac0_s: 0xF80034E4
Width	32 bits
Access Type	mixed
Reset Value	0x00000000
Description	Destination Addr DMA Channel 7

#### Register DAR7 Details

Field Name	Bits	Type	Reset Value	Description
dest_addr	31:0	sro,ns sraz,n snsro	0x0	Destination data address (physical memory address) for DMA channel thread.

### Register ([dmac](#)) CCR7

Name	CCR7
Software Name	XDmaPs_CC_n_OFFSET(7)
Relative Address	0x000004E8
Absolute Address	dmac0_ns: 0xF80044E8 dmac0_s: 0xF80034E8
Width	32 bits
Access Type	mixed
Reset Value	dmac0_ns: 0x00000000 dmac0_s: 0x00800200
Description	Channel Control DMA Channel 7

Register CCR7 Details

Field Name	Bits	Type	Reset Value	Description
reserved	31	rud	0x0	reserved, read undefined
endian_swap_size	30:28	sro,ns sraz,n snsro	0x0	Data swap: little-endian and byte-invariant big-endian (BE-8) formats. 000: No swap, 8-bit data 001: Swap bytes within 16-bit data 010: Swap bytes within 32-bit data 011: Swap bytes within 64-bit data 100: Swap bytes within 128-bit data 101 to 111: Reserved
dst_cache_ctrl	27:25	sro,ns sraz,n snsro	0x0	Programs the AXI AWCACHE signals that are used when the DMAC writes to the destination (0: Low, 1: High): Bit [27] programs AWCACHE[3] Hardwired Low to AWCACHE[2] Bit [26] programs AWCACHE[1] Bit [25] programs AWCACHE[0] Note: Setting AWCACHE[3,1]=b10 violates the AXI protocol.
dst_prot_ctrl	24:22	sro,ns sraz,n snsro	dmac0_ns: 0x0 dmac0_s: 0x2	Programs the AWPROT signals that are used when the DMAC writes the destination data (0: Low, 1: High): Bit [24] programs AWPROT[2] Bit [23] programs AWPROT[1] Bit [22] programs AWPROT[0] Note: Only DMA channels in the Secure state can program AWPROT[1] Low, that is, a secure access. If a DMA channel in the Non-secure state attempts to set AWPROT[1] Low, then the DMA channel aborts.
dst_burst_len	21:18	sro,ns sraz,n snsro	0x0	For each burst, these bits program the number of data transfers that the DMAC performs when it writes the destination data: 0000: 1 data transfer 0001: 2 data transfers 0010: 3 data transfers ... 1111: 16 data transfers. The total number of bytes that the DMAC writes out of the MFIFO when it executes a DMAST instruction is the product of dst_burst_len and dst_burst_size. Note: These bits control the state of AWLEN[3:0].

Field Name	Bits	Type	Reset Value	Description
dst_burst_size	17:15	sro,ns sraz,n snsro	0x0	<p>For each beat within a burst, it programs the number of bytes that the DMAC writes to the destination:</p> <p>000: writes 1 byte per beat            001: writes 2 bytes per beat            010: writes 4 bytes per beat            011: writes 8 bytes per beat            100: writes 16 bytes per beat            101 to 111: reserved.</p> <p>The total number of bytes that the DMAC writes out of the MFIFO when it executes a DMAST instruction is the product of dst_burst_len and dst_burst_size. Note: These bits control the state of AWSIZE[2:0].</p>
dst_inc	14	sro,ns sraz,n snsro	0x0	<p>Programs the burst type that the DMAC performs when it writes the destination data:</p> <p>0: Fixed-address burst. The DMAC signals AWBURST[0] Low.            1: Incrementing-address burst. The DMAC signals AWBURST[0] High.</p>
src_cache_ctrl	13:11	sro,ns sraz,n snsro	0x0	<p>Programs the AXI ARCACHE signals that are used for DMA reads of the source data (0: Low, 1: High):</p> <p>Bit [13] programs ARCACHE[2]            Bit [12] programs ARCACHE[1]            Bit [11] programs ARCACHE[0]</p> <p>Note: The DMAC ties ARCACHE[3] Low. Setting ARCACHE[2:1]= b10 violates the AXI protocol.</p>
src_prot_ctrl	10:8	sro,ns sraz,n snsro	dmac0_ns: 0x0 dmac0_s: 0x2	<p>Programs the AXI ARPROT signals that are used for DMA reads of the source data (0: Low, 1: High):</p> <p>Bit [10] programs ARPROT[2]            Bit [9] programs ARPROT[1]            Bit [8] programs ARPROT[0]</p> <p>Note: Only DMA channels in the Secure state can program ARPROT[1] Low, that is, a secure access. If a DMA channel in the Non-secure state attempts to set ARPROT[1] Low, the DMA channel aborts.</p>

Field Name	Bits	Type	Reset Value	Description
src_burst_len	7:4	sro,ns sraz,n snsro	0x0	For each burst, these bits program the number of data transfers that the DMAC performs when it reads the source data: 0000: 1 data transfer 0001: 2 data transfers ... 1111: 16 data transfers. The total number of bytes that the DMAC reads into the MFIFO when it executes a DMALD instruction is the product of src_burst_len and src_burst_size. Note: These bits control the state of ARLEN[3:0].
src_burst_size	3:1	sro,ns sraz,n snsro	0x0	For each beat within a burst, it programs the number of bytes that the DMAC reads from the source: 000: reads 1 byte per beat 001: reads 2 bytes per beat 010: reads 4 bytes per beat 011: reads 8 bytes per beat 100: reads 16 bytes per beat 101 to 111: reserved. The total number of bytes that the DMAC reads into the MFIFO when it executes a DMALD instruction is the product of src_burst_len and src_burst_size. Note: These bits control the state of ARSIZE[2:0].
src_inc	0	sro,ns sraz,n snsro	0x0	Programs the burst type that the DMAC performs when it reads the source data: 0: Fixed-address burst, DMAC signal ARBURST[0] driven Low. 1: Incrementing-address burst, DMAC signal ARBURST[0] driven High.

### Register ([dmac](#)) LC0\_7

Name	LC0_7
Software Name	XDmaPs_LC0_n_OFFSET(7)
Relative Address	0x000004EC
Absolute Address	dmac0_ns: 0xF80044EC dmac0_s: 0xF80034EC
Width	32 bits
Access Type	mixed
Reset Value	0x00000000

Description Loop Counter 0 DMA Channel 7

Register LC0\_7 Details

Field Name	Bits	Type	Reset Value	Description
reserved	31:8	rud	0x0	reserved, read undefined
loop_counter_iteration	7:0	sro,ns sraz,n snsro	0x0	Provides the status of loop counter zero for the DMA channel thread. The DMAC updates this register when it executes DMALPEND[S   B], and the DMA channel thread is programmed to use loop counter zero.

Register ([dmac](#)) LC1\_7

Name LC1\_7  
 Software Name XDmaPs\_LC1\_n\_OFFSET(7)  
 Relative Address 0x000004F0  
 Absolute Address dmac0\_ns: 0xF80044F0  
 dmac0\_s: 0xF80034F0  
 Width 32 bits  
 Access Type mixed  
 Reset Value 0x00000000  
 Description Loop Counter 1 DMA Channel 7

Register LC1\_7 Details

Field Name	Bits	Type	Reset Value	Description
reserved	31:8	rud	0x0	reserved, read undefined
loop_counter_iteration	7:0	sro,ns sraz,n snsro	0x0	Provides the status of loop counter one for the DMA channel thread. The DMAC updates this register when it executes DMALPEND[S   B], and the DMA channel thread is programmed to use loop counter one.

Register ([dmac](#)) DBGSTATUS

Name DBGSTATUS  
 Relative Address 0x00000D00  
 Absolute Address dmac0\_ns: 0xF8004D00  
 dmac0\_s: 0xF8003D00  
 Width 32 bits  
 Access Type mixed

Reset Value 0x00000000  
 Description DMA Manager Execution Status

Register DBGSTATUS Details

Field Name	Bits	Type	Reset Value	Description
reserved	31:1	rud	0x0	reserved, read undefined
dbgstatus	0	sro,ns sraz,n snsro	0x0	The DMA manager Execution/Debug status: 0: Idle 1: Busy.

Register ([dmac](#)) DBGCMD

Name DBGCMD  
 Relative Address 0x0000D04  
 Absolute Address dmac0\_ns: 0xF8004D04  
 dmac0\_s: 0xF8003D04  
 Width 32 bits  
 Access Type mixed  
 Reset Value 0x00000000  
 Description DMA Manager Instr. Command

Register DBGCMD Details

Field Name	Bits	Type	Reset Value	Description
reserved	31:2	rud	0x0	reserved, read undefined
dbgcmd	1:0	swo,n ssraz, nsns wo	0x0	Command the DMA manager to execute the instruction defined in the two DBGINST registers. 00: execute the instruction. others: reserved.

Register ([dmac](#)) DBGINST0

Name DBGINST0  
 Relative Address 0x0000D08  
 Absolute Address dmac0\_ns: 0xF8004D08  
 dmac0\_s: 0xF8003D08  
 Width 32 bits  
 Access Type mixed  
 Reset Value 0x00000000

Description DMA Manager Instruction Part A

Register DBGINST0 Details

Field Name	Bits	Type	Reset Value	Description
instruction_byte1	31:24	sw0,n ssraz, nsns wo	0x0	instruction byte 1
instruction_byte0	23:16	sw0,n ssraz, nsns wo	0x0	instruction byte 0
reserved	15:11	waz	0x0	reserved, write as 0
channel_num	10:8	sw0,n ssraz, nsns wo	0x0	DMA channel number: 000: DMA channel 0 001: DMA channel 1 010: DMA channel 2 ... 111: DMA channel 7
reserved	7:1	waz	0x0	reserved, write as 0
debug_thread	0	sw0,n ssraz, nsns wo	0x0	The debug thread encoding is as follows: 0: DMA manager thread 1: DMA channel. Note: When set to 1, the Channel number field selects the DMA channel to debug.

Register ([dmac](#)) DBGINST1

Name DBGINST1  
 Relative Address 0x0000D0C  
 Absolute Address dmac0\_ns: 0xF8004D0C  
 dmac0\_s: 0xF8003D0C  
 Width 32 bits  
 Access Type mixed  
 Reset Value 0x00000000  
 Description DMA Manager Instruction Part B



Register DBGINST1 Details

Field Name	Bits	Type	Reset Value	Description
instruction_byte5	31:24	swo,n ssraz, nsns wo	0x0	instruction byte 5
instruction_byte4	23:16	swo,n ssraz, nsns wo	0x0	instruction byte 4
instruction_byte3	15:8	swo,n ssraz, nsns wo	0x0	instruction byte 3
instruction_byte2	7:0	swo,n ssraz, nsns wo	0x0	instruction byte 2

Register ([dmac](#)) CR0

Name	CR0
Relative Address	0x00000E00
Absolute Address	dmac0_ns: 0xF8004E00 dmac0_s: 0xF8003E00
Width	32 bits
Access Type	mixed
Reset Value	dmac0_ns: 0x00000000 dmac0_s: 0x001E3071
Description	Config. 0: Events, Peripheral Interfaces, PC, Mode

Register CR0 Details

Field Name	Bits	Type	Reset Value	Description
reserved	31:22	rud	0x0	read undefined
num_events	21:17	sro,ns sraz,n snsro	dmac0_ns: 0x0 dmac0_s: 0xF	The DMA Controller supports 16 events. This register always reads 01111 (15d).
num_periph_req	16:12	sro,ns sraz,n snsro	dmac0_ns: 0x0 dmac0_s: 0x3	The DMA Controller supports four peripheral interfaces. This register always reads 00011 (3d).
reserved	11:7	rud	0x0	read undefined

Field Name	Bits	Type	Reset Value	Description
num_chnls	6:4	sro,ns sraz,n snsro	dmac0_ns: 0x0 dmac0_s: 0x7	The DMA Controller supports eight channel threads. This register always reads 00111 (7d).
reserved	3	rud	0x0	read undefined
mgr_ns_at_rst	2	sro,ns sraz,n snsro	0x0	Indicates the status of the slcr.TZ_DMA_NS bit when the DMAC exits from reset: 0: TZ_DMA_NS was Low 1: TZ_DMA_NS was High
boot_en	1	sro,ns sraz,n snsro	0x0	Indicates the status of the boot_from_pc signal when the DMAC exited from reset: 0 = boot_from_pc was LOW 1 = boot_from_pc was HIGH.
periph_req	0	sro,ns sraz,n snsro	dmac0_ns: 0x0 dmac0_s: 0x1	The DMAC provides the peripheral request interfaces.

### Register ([dmac](#)) CR1

Name	CR1
Relative Address	0x00000E04
Absolute Address	dmac0_ns: 0xF8004E04 dmac0_s: 0xF8003E04
Width	32 bits
Access Type	mixed
Reset Value	dmac0_ns: 0x00000000 dmac0_s: 0x00000074
Description	Config. 1: Instruction Cache

### Register CR1 Details

Field Name	Bits	Type	Reset Value	Description
reserved	31:8	rud	0x0	read undefined
num_icache_lines	7:4	sro,ns sraz,n snsro	dmac0_ns: 0x0 dmac0_s: 0x7	The DMAC iCache has eight lines.
reserved	3	rud	0x0	read undefined
icache_len	2:0	sro,ns sraz,n snsro	dmac0_ns: 0x0 dmac0_s: 0x4	The length of an i-cache line is sixteen bytes.

### Register ([dmac](#)) CR2

Name	CR2
Relative Address	0x00000E08
Absolute Address	dmac0_ns: 0xF8004E08 dmac0_s: 0xF8003E08
Width	32 bits
Access Type	mixed
Reset Value	0x00000000
Description	Config. 2: DMA Mgr Boot Addr

#### Register CR2 Details

Field Name	Bits	Type	Reset Value	Description
boot_addr	31:0	sro,ns sraz,n snsro	0x0	The boot address for the DMAC manager is hardwired to 0. This is a system memory address.

### Register ([dmac](#)) CR3

Name	CR3
Relative Address	0x00000E0C
Absolute Address	dmac0_ns: 0xF8004E0C dmac0_s: 0xF8003E0C
Width	32 bits
Access Type	mixed
Reset Value	0x00000000
Description	Config. 3: Security state of IRQs

#### Register CR3 Details

Field Name	Bits	Type	Reset Value	Description
INS	31:0	sro,ns sraz,n snsro	0x0	The value of the slcr.TZ_DMA_IRQ_NS bits (boot_irq_ns signals) when the DMAC reset deasserts. Reserved

### Register ([dmac](#)) CR4

Name	CR4
Relative Address	0x00000E10

Absolute Address      dmac0\_ns: 0xF8004E10  
                               dmac0\_s: 0xF8003E10

Width                    32 bits

Access Type            mixed

Reset Value            0x00000000

Description            Config 4, Security of Periph Interfaces

Register CR4 Details

Field Name	Bits	Type	Reset Value	Description
PNS	31:0	sro,ns sraz,n snsro	0x0	Reflects the sclr.TZ_DMA_PERIPH_NS register values for the four peripheral request interfaces when the DMAC is unreset.  0: Secure state 1: Non-secure state Reserved

Register ([dmac](#)) CRD

Name                    CRD

Software Name        CRDN

Relative Address     0x00000E14

Absolute Address     dmac0\_ns: 0xF8004E14  
                               dmac0\_s: 0xF8003E14

Width                   32 bits

Access Type           mixed

Reset Value           dmac0\_ns: 0x00000000  
                               dmac0\_s: 0x07FF7F73

Description           DMA configuration

Register CRD Details

Field Name	Bits	Type	Reset Value	Description
reserved	31:30	rud	0x0	read undefined
data_buffer_dep	29:20	sro,ns sraz,n snsro	dmac0_ns: 0x0 dmac0_s: 0x7F	The MFIFO dept is 128 double words (64-bit).
rd_q_dep	19:16	sro,ns sraz,n snsro	dmac0_ns: 0x0 dmac0_s: 0xF	The depth of the Read Queue is hardwired at 16 lines.
reserved	15	rud	0x0	read undefined

Field Name	Bits	Type	Reset Value	Description
rd_cap	14:12	sro,ns sraz,n snsro	dmac0_ns: 0x0 dmac0_s: 0x7	The number of possible outstanding Read Transactions is hardwired at 8.
wr_q_dep	11:8	sro,ns sraz,n snsro	dmac0_ns: 0x0 dmac0_s: 0xF	The depth of the Write Queue is hardwired at 16 lines.
reserved	7	rud	0x0	read undefined
wr_cap	6:4	sro,ns sraz,n snsro	dmac0_ns: 0x0 dmac0_s: 0x7	The number of outstanding Write Transactions is hardwired at 8.
reserved	3	rud	0x0	read undefined
data_width	2:0	sro,ns sraz,n snsro	dmac0_ns: 0x0 dmac0_s: 0x3	The data width of the AXI master interface 64 bits.

### Register ([dmac](#)) WD

Name	WD
Relative Address	0x00000E80
Absolute Address	dmac0_ns: 0xF8004E80 dmac0_s: 0xF8003E80
Width	32 bits
Access Type	mixed
Reset Value	0x00000000
Description	Watchdog Timer

#### Register WD Details

Field Name	Bits	Type	Reset Value	Description
reserved	31:1	rud	0x0	read undefined
wd_irq_only	0	sro,ns sraz,n snsro	0x0	When a lock-up is detected, the DMAC aborts the DMA channel thread and asserts the Abort interrupt.

### Register ([dmac](#)) periph\_id\_0

Name	periph_id_0
Software Name	PERIPH_ID_0
Relative Address	0x00000FE0

Absolute Address      dmac0\_ns: 0xF8004FE0  
                               dmac0\_s: 0xF8003FE0

Width                    32 bits

Access Type            mixed

Reset Value            dmac0\_ns: 0x00000000  
                               dmac0\_s: 0x00000030

Description            Peripheral Identification register 0

Register periph\_id\_0 Details

Field Name	Bits	Type	Reset Value	Description
reserved	31:8	rud	0x0	read undefined
part_number_0	7:0	sro,ns sraz,n snsro	dmac0_ns: 0x0 dmac0_s: 0x30	returns 0x30

Register ([dmac](#)) periph\_id\_1

Name                    periph\_id\_1

Software Name        PERIPH\_ID\_1

Relative Address     0x00000FE4

Absolute Address     dmac0\_ns: 0xF8004FE4  
                               dmac0\_s: 0xF8003FE4

Width                   32 bits

Access Type           mixed

Reset Value           dmac0\_ns: 0x00000000  
                               dmac0\_s: 0x00000013

Description           Peripheral Identification register 1

Register periph\_id\_1 Details

Field Name	Bits	Type	Reset Value	Description
reserved	31:8	rud	0x0	read undefined
designer_0	7:4	sro,ns sraz,n snsro	dmac0_ns: 0x0 dmac0_s: 0x1	returns 0x1
part_number_1	3:0	sro,ns sraz,n snsro	dmac0_ns: 0x0 dmac0_s: 0x3	returns 0x3

### Register ([dmac](#)) periph\_id\_2

Name	periph_id_2
Software Name	PERIPH_ID_2
Relative Address	0x0000FE8
Absolute Address	dmac0_ns: 0xF8004FE8 dmac0_s: 0xF8003FE8
Width	32 bits
Access Type	mixed
Reset Value	dmac0_ns: 0x00000000 dmac0_s: 0x00000024
Description	Peripheral Identification register 2

#### Register periph\_id\_2 Details

Field Name	Bits	Type	Reset Value	Description
reserved	31:8	rud	0x0	read undefined
revision	7:4	sro,ns sraz,n snsro	dmac0_ns: 0x0 dmac0_s: 0x2	DMAC IP revision is r1p1.
designer_1	3:0	sro,ns sraz,n snsro	dmac0_ns: 0x0 dmac0_s: 0x4	returns 0x4

### Register ([dmac](#)) periph\_id\_3

Name	periph_id_3
Software Name	PERIPH_ID_3
Relative Address	0x0000FEC
Absolute Address	dmac0_ns: 0xF8004FEC dmac0_s: 0xF8003FEC
Width	32 bits
Access Type	mixed
Reset Value	0x00000000
Description	Peripheral Identification register 3

Register periph\_id\_3 Details

Field Name	Bits	Type	Reset Value	Description
reserved	31:1	rud	0x0	read undefined
integration_cfg	0	sro,ns sraz,n snsro	0x0	The DMAC does not contain integration test logic

Register ([dmac](#)) pcell\_id\_0

Name	pcell_id_0
Software Name	PCELL_ID_0
Relative Address	0x00000FF0
Absolute Address	dmac0_ns: 0xF8004FF0 dmac0_s: 0xF8003FF0
Width	32 bits
Access Type	mixed
Reset Value	dmac0_ns: 0x00000000 dmac0_s: 0x0000000D
Description	Component Identification register 0

Register pcell\_id\_0 Details

Field Name	Bits	Type	Reset Value	Description
reserved	31:8	rud	0x0	read undefined
pcell_id_0	7:0	sro,ns sraz,n snsro	dmac0_ns: 0x0 dmac0_s: 0xD	returnx 0x0D

Register ([dmac](#)) pcell\_id\_1

Name	pcell_id_1
Software Name	PCELL_ID_1
Relative Address	0x00000FF4
Absolute Address	dmac0_ns: 0xF8004FF4 dmac0_s: 0xF8003FF4
Width	32 bits
Access Type	mixed
Reset Value	dmac0_ns: 0x00000000 dmac0_s: 0x000000F0



Description Component Identification register 1

Register pcell\_id\_1 Details

Field Name	Bits	Type	Reset Value	Description
reserved	31:8	rud	0x0	read undefined
pcell_id_1	7:0	sro,ns sraz,n snsro	dmac0_ns: 0x0 dmac0_s: 0xF0	returns 0xF0

Register ([dmac](#)) pcell\_id\_2

Name pcell\_id\_2  
 Software Name PCELL\_ID\_2  
 Relative Address 0x00000FF8  
 Absolute Address dmac0\_ns: 0xF8004FF8  
 dmac0\_s: 0xF8003FF8  
 Width 32 bits  
 Access Type mixed  
 Reset Value dmac0\_ns: 0x00000000  
 dmac0\_s: 0x00000005  
 Description Component Identification register 2

Register pcell\_id\_2 Details

Field Name	Bits	Type	Reset Value	Description
reserved	31:8	rud	0x0	read undefined
pcell_id_2	7:0	sro,ns sraz,n snsro	dmac0_ns: 0x0 dmac0_s: 0x5	returns 0x05

Register ([dmac](#)) pcell\_id\_3

Name pcell\_id\_3  
 Software Name PCELL\_ID\_3  
 Relative Address 0x00000FFC  
 Absolute Address dmac0\_ns: 0xF8004FFC  
 dmac0\_s: 0xF8003FFC  
 Width 32 bits  
 Access Type mixed

Reset Value            dmac0\_ns: 0x00000000  
                           dmac0\_s: 0x000000B1

Description            Component Identification register 3

Register pcell\_id\_3 Details

Field Name	Bits	Type	Reset Value	Description
reserved	31:8	rud	0x0	read undefined
pcell_id_3	7:0	sro,ns sraz,n snsro	dmac0_ns: 0x0 dmac0_s: 0xB1	returns 0xB1

## B.18 Gigabit Ethernet Controller (GEM)

Module Name	Gigabit Ethernet Controller (GEM)
Base Address	0xE000B000 gem0 0xE000C000 gem1
Description	Gigabit Ethernet Controller
Vendor Info	

### Register Summary

Register Name	Address	Width	Type	Reset Value	Description
<a href="#">net_ctrl</a>	0x00000000	32	mixed	0x00000000	Network Control
<a href="#">net_cfg</a>	0x00000004	32	rw	0x00080000	Network Configuration
<a href="#">net_status</a>	0x00000008	32	ro	x	Network Status
<a href="#">dma_cfg</a>	0x00000010	32	mixed	0x00020784	DMA Configuration
<a href="#">tx_status</a>	0x00000014	32	mixed	0x00000000	Transmit Status
<a href="#">rx_qbar</a>	0x00000018	32	mixed	0x00000000	Receive Buffer Queue Base Address
<a href="#">tx_qbar</a>	0x0000001C	32	mixed	0x00000000	Transmit Buffer Queue Base Address
<a href="#">rx_status</a>	0x00000020	32	mixed	0x00000000	Receive Status
<a href="#">intr_status</a>	0x00000024	32	mixed	0x00000000	Interrupt Status
<a href="#">intr_en</a>	0x00000028	32	wo	x	Interrupt Enable
<a href="#">intr_dis</a>	0x0000002C	32	wo	x	Interrupt Disable
<a href="#">intr_mask</a>	0x00000030	32	mixed	x	Interrupt Mask Status
<a href="#">phy_maint</a>	0x00000034	32	rw	0x00000000	PHY Maintenance
<a href="#">rx_pauseq</a>	0x00000038	32	ro	0x00000000	Received Pause Quantum
<a href="#">tx_pauseq</a>	0x0000003C	32	rw	0x0000FFFF	Transmit Pause Quantum
<a href="#">hash_bot</a>	0x00000080	32	rw	0x00000000	Hash Register Bottom [31:0]
<a href="#">hash_top</a>	0x00000084	32	rw	0x00000000	Hash Register Top [63:32]
<a href="#">spec_addr1_bot</a>	0x00000088	32	rw	0x00000000	Specific Address 1 Bottom [31:0]
<a href="#">spec_addr1_top</a>	0x0000008C	32	mixed	0x00000000	Specific Address 1 Top [47:32]
<a href="#">spec_addr2_bot</a>	0x00000090	32	rw	0x00000000	Specific Address 2 Bottom [31:0]
<a href="#">spec_addr2_top</a>	0x00000094	32	mixed	0x00000000	Specific Address 2 Top [47:32]
<a href="#">spec_addr3_bot</a>	0x00000098	32	rw	0x00000000	Specific Address 3 Bottom [31:0]

Register Name	Address	Width	Type	Reset Value	Description
<a href="#">spec_addr3_top</a>	0x0000009C	32	mixed	0x00000000	Specific Address 3 Top [47:32]
<a href="#">spec_addr4_bot</a>	0x000000A0	32	rw	0x00000000	Specific Address 4 Bottom [31:0]
<a href="#">spec_addr4_top</a>	0x000000A4	32	mixed	0x00000000	Specific Address 4 Top [47:32]
<a href="#">type_id_match1</a>	0x000000A8	32	mixed	0x00000000	Type ID Match 1
<a href="#">type_id_match2</a>	0x000000AC	32	mixed	0x00000000	Type ID Match 2
<a href="#">type_id_match3</a>	0x000000B0	32	mixed	0x00000000	Type ID Match 3
<a href="#">type_id_match4</a>	0x000000B4	32	mixed	0x00000000	Type ID Match 4
<a href="#">wake_on_lan</a>	0x000000B8	32	mixed	0x00000000	Wake on LAN Register
<a href="#">ipg_stretch</a>	0x000000BC	32	mixed	0x00000000	IPG stretch register
<a href="#">stacked_vlan</a>	0x000000C0	32	mixed	0x00000000	Stacked VLAN Register
<a href="#">tx_pfc_pause</a>	0x000000C4	32	mixed	0x00000000	Transmit PFC Pause Register
<a href="#">spec_addr1_mask_bot</a>	0x000000C8	32	rw	0x00000000	Specific Address Mask 1 Bottom [31:0]
<a href="#">spec_addr1_mask_top</a>	0x000000CC	32	mixed	0x00000000	Specific Address Mask 1 Top [47:32]
<a href="#">module_id</a>	0x000000FC	32	ro	0x00020118	Module ID
<a href="#">octets_tx_bot</a>	0x00000100	32	ro	0x00000000	Octets transmitted [31:0] (in frames without error)
<a href="#">octets_tx_top</a>	0x00000104	32	ro	0x00000000	Octets transmitted [47:32] (in frames without error)
<a href="#">frames_tx</a>	0x00000108	32	ro	0x00000000	Frames Transmitted
<a href="#">broadcast_frames_tx</a>	0x0000010C	32	ro	0x00000000	Broadcast frames Tx
<a href="#">multi_frames_tx</a>	0x00000110	32	ro	0x00000000	Multicast frames Tx
<a href="#">pause_frames_tx</a>	0x00000114	32	ro	0x00000000	Pause frames Tx
<a href="#">frames_64b_tx</a>	0x00000118	32	ro	0x00000000	Frames Tx, 64-byte length
<a href="#">frames_65to127b_tx</a>	0x0000011C	32	ro	0x00000000	Frames Tx, 65 to 127-byte length
<a href="#">frames_128to255b_tx</a>	0x00000120	32	ro	0x00000000	Frames Tx, 128 to 255-byte length
<a href="#">frames_256to511b_tx</a>	0x00000124	32	ro	0x00000000	Frames Tx, 256 to 511-byte length
<a href="#">frames_512to1023b_tx</a>	0x00000128	32	ro	0x00000000	Frames Tx, 512 to 1023-byte length
<a href="#">frames_1024to1518b_tx</a>	0x0000012C	32	ro	0x00000000	Frame Tx, 1024 to 1518-byte length
<a href="#">tx_under_runs</a>	0x00000134	32	ro	0x00000000	Transmit under runs
<a href="#">single_collisn_frames</a>	0x00000138	32	ro	0x00000000	Single Collision Frames
<a href="#">multi_collisn_frames</a>	0x0000013C	32	ro	0x00000000	Multiple Collision Frames

Register Name	Address	Width	Type	Reset Value	Description
<a href="#">excessive_collisns</a>	0x00000140	32	ro	0x00000000	Excessive Collisions
<a href="#">late_collisns</a>	0x00000144	32	ro	0x00000000	Late Collisions
<a href="#">deferred_tx_frames</a>	0x00000148	32	ro	0x00000000	Deferred Transmission Frames
<a href="#">carrier_sense_errs</a>	0x0000014C	32	ro	0x00000000	Carrier Sense Errors.
<a href="#">octets_rx_bot</a>	0x00000150	32	ro	0x00000000	Octets Received [31:0]
<a href="#">octets_rx_top</a>	0x00000154	32	ro	0x00000000	Octets Received [47:32]
<a href="#">frames_rx</a>	0x00000158	32	ro	0x00000000	Frames Received
<a href="#">bdcast_fames_rx</a>	0x0000015C	32	ro	0x00000000	Broadcast Frames Rx
<a href="#">multi_frames_rx</a>	0x00000160	32	ro	0x00000000	Multicast Frames Rx
<a href="#">pause_rx</a>	0x00000164	32	ro	0x00000000	Pause Frames Rx
<a href="#">frames_64b_rx</a>	0x00000168	32	ro	0x00000000	Frames Rx, 64-byte length
<a href="#">frames_65to127b_rx</a>	0x0000016C	32	ro	0x00000000	Frames Rx, 65 to 127-byte length
<a href="#">frames_128to255b_rx</a>	0x00000170	32	ro	0x00000000	Frames Rx, 128 to 255-byte length
<a href="#">frames_256to511b_rx</a>	0x00000174	32	ro	0x00000000	Frames Rx, 256 to 511-byte length
<a href="#">frames_512to1023b_rx</a>	0x00000178	32	ro	0x00000000	Frames Rx, 512 to 1023-byte length
<a href="#">frames_1024to1518b_rx</a>	0x0000017C	32	ro	0x00000000	Frames Rx, 1024 to 1518-byte length
<a href="#">undersz_rx</a>	0x00000184	32	ro	0x00000000	Undersize frames received
<a href="#">oversz_rx</a>	0x00000188	32	ro	0x00000000	Oversize frames received
<a href="#">jab_rx</a>	0x0000018C	32	ro	0x00000000	Jabbers received
<a href="#">fcs_errors</a>	0x00000190	32	ro	0x00000000	Frame check sequence errors
<a href="#">length_field_errors</a>	0x00000194	32	ro	0x00000000	Length field frame errors
<a href="#">rx_symbol_errors</a>	0x00000198	32	ro	0x00000000	Receive symbol errors
<a href="#">align_errors</a>	0x0000019C	32	ro	0x00000000	Alignment errors
<a href="#">rx_resource_errors</a>	0x000001A0	32	ro	0x00000000	Receive resource errors
<a href="#">rx_overrun_errors</a>	0x000001A4	32	ro	0x00000000	Receive overrun errors
<a href="#">ip_hdr_csum_errors</a>	0x000001A8	32	ro	0x00000000	IP header checksum errors
<a href="#">tcp_csum_errors</a>	0x000001AC	32	ro	0x00000000	TCP checksum errors
<a href="#">udp_csum_errors</a>	0x000001B0	32	ro	0x00000000	UDP checksum error
<a href="#">timer_strobe_s</a>	0x000001C8	32	rw	0x00000000	1588 timer sync strobe seconds
<a href="#">timer_strobe_ns</a>	0x000001CC	32	mixed	0x00000000	1588 timer sync strobe nanoseconds

Register Name	Address	Width	Type	Reset Value	Description
<a href="#">timer_s</a>	0x000001D0	32	rw	0x00000000	1588 timer seconds
<a href="#">timer_ns</a>	0x000001D4	32	mixed	0x00000000	1588 timer nanoseconds
<a href="#">timer_adjust</a>	0x000001D8	32	mixed	0x00000000	1588 timer adjust
<a href="#">timer_incr</a>	0x000001DC	32	mixed	0x00000000	1588 timer increment
<a href="#">ptp_tx_s</a>	0x000001E0	32	ro	0x00000000	PTP event frame transmitted seconds
<a href="#">ptp_tx_ns</a>	0x000001E4	32	ro	0x00000000	PTP event frame transmitted nanoseconds
<a href="#">ptp_rx_s</a>	0x000001E8	32	ro	0x00000000	PTP event frame received seconds
<a href="#">ptp_rx_ns</a>	0x000001EC	32	ro	0x00000000	PTP event frame received nanoseconds.
<a href="#">ptp_peer_tx_s</a>	0x000001F0	32	ro	0x00000000	PTP peer event frame transmitted seconds
<a href="#">ptp_peer_tx_ns</a>	0x000001F4	32	ro	0x00000000	PTP peer event frame transmitted nanoseconds
<a href="#">ptp_peer_rx_s</a>	0x000001F8	32	ro	0x00000000	PTP peer event frame received seconds
<a href="#">ptp_peer_rx_ns</a>	0x000001FC	32	ro	0x00000000	PTP peer event frame received nanoseconds.
<a href="#">design_cfg2</a>	0x00000284	32	ro	x	Design Configuration 2
<a href="#">design_cfg3</a>	0x00000288	32	ro	0x00000000	Design Configuration 3
<a href="#">design_cfg4</a>	0x0000028C	32	ro	0x00000000	Design Configuration 4
<a href="#">design_cfg5</a>	0x00000290	32	ro	x	Design Configuration 5

### Register ([GEM](#)) net\_ctrl

Name	net_ctrl
Software Name	XEMACPS_NWCTRL
Relative Address	0x00000000
Absolute Address	gem0: 0xE000B000 gem1: 0xE000C000
Width	32 bits
Access Type	mixed
Reset Value	0x00000000
Description	Network Control

## Register net\_ctrl Details

The network control register contains general MAC control functions for both receiver and transmitter.

Field Name	Bits	Type	Reset Value	Description
reserved	31:19	ro	0x0	Reserved, read as zero, ignored on write.
flush_next_rx_dpram_pkt	18	wo	0x0	Flush the next packet from the external RX DPRAM. Writing one to this bit will only have an effect if the DMA is not currently writing a packet already stored in the DPRAM to memory.
tx_pfc_pri_pause_frame	17	wo	0x0	Transmit PFC Priority Based Pause Frame. Takes the values stored in the Transmit PFC Pause Register
en_pfc_pri_pause_rx	16	wo	0x0	Enable PFC Priority Based Pause Reception capabilities. Setting this bit will enable PFC negotiation and recognition of priority based pause frames.
str_rx_timestamp	15	rw	0x0	Store receive time stamp to memory. Setting this bit to one will cause the CRC of every received frame to be replaced with the value of the nanoseconds field of the 1588 timer that was captured as the receive frame passed the message time stamp point. Set to zero for normal operation.
reserved	14	rw	0x0	Reserved. Do not modify.
reserved	13	wo	0x0	Reserved. Do not modify.
tx_zeroq_pause_frame (ZEROPAUSCTX)	12	wo	0x0	Transmit zero quantum pause frame. Writing one to this bit causes a pause frame with zero quantum to be transmitted.
tx_pause_frame (PAUSCTX)	11	wo	0x0	Transmit pause frame - writing one to this bit causes a pause frame to be transmitted.
tx_halt (HALCTX)	10	wo	0x0	Transmit halt - writing one to this bit halts transmission as soon as any ongoing frame transmission ends.
start_tx (STARTTX)	9	wo	0x0	Start transmission - writing one to this bit starts transmission.
back_pressure	8	rw	0x0	Back pressure - if set in 10M or 100M half duplex mode will force collisions on all received frames.
wren_stat_regs (STATWEN)	7	rw	0x0	Write enable for statistics registers - setting this bit to one means the statistics registers can be written for functional test purposes.
incr_stat_regs (STATINC)	6	wo	0x0	Incremental statistics registers - this bit is write only. Writing a one increments all the statistics registers by one for test purposes.

Field Name	Bits	Type	Reset Value	Description
clear_stat_regs (STATCLR)	5	wo	0x0	Clear statistics registers - this bit is write only. Writing a one clears the statistics registers.
mgmt_port_en (MDEN)	4	rw	0x0	Management port enable - set to one to enable the management port. When zero forces mdio to high impedance state and mdc low.
tx_en (TXEN)	3	rw	0x0	Transmit enable - when set, it enables the GEM transmitter to send data. When reset transmission will stop immediately, the transmit pipeline and control registers will be cleared and the transmit queue pointer register will reset to point to the start of the transmit descriptor list.
rx_en (RXEN)	2	rw	0x0	Receive enable - when set, it enables the GEM to receive data. When reset frame reception will stop immediately and the receive pipeline will be cleared. The receive queue pointer register is unaffected.
loopback_local (LOOPEN)	1	rw	0x0	Loop back local - asserts the loopback_local signal to the system clock generator. Also connects txd to rxd, tx_en to rx_dv and forces full duplex mode. Bit 11 of the network configuration register must be set low to disable TBI mode when in internal loopback. rx_clk and tx_clk may malfunction as the GEM is switched into and out of internal loop back. It is important that receive and transmit circuits have already been disabled when making the switch into and out of internal loop back. Local loopback functionality isn't available in the EP107 Zynq Emulation Platform, because the clocking doesn't map well into an FPGA.
reserved	0	rw	0x0	Reserved. Do not modify.

### Register ([GEM](#)) net\_cfg

Name	net_cfg
Software Name	XEMACPS_NWCFG
Relative Address	0x00000004
Absolute Address	gem0: 0xE000B004 gem1: 0xE000C004
Width	32 bits
Access Type	rw
Reset Value	0x00080000
Description	Network Configuration



### Register net\_cfg Details

The network configuration register contains functions for setting the mode of operation for the Gigabit Ethernet MAC

Field Name	Bits	Type	Reset Value	Description
unidir_en	31	rw	0x0	NA.
ignore_ipg_rx_er	30	rw	0x0	Ignore IPG rx_er. When set rx_er has no effect on the GEM's operation when rx_dv is low. Set this when using the RGMII wrapper in half-duplex mode.
rx_bad_preamble (BADPREAMBEN)	29	rw	0x0	Receive bad preamble. When set frames with non-standard preamble are not rejected.
ipg_stretch_en (IPDSTRETCH)	28	rw	0x0	IPG stretch enable - when set the transmit IPG can be increased above 96 bit times depending on the previous frame length using the IPG stretch register.
sgmii_en	27	rw	0x0	SGMII mode enable - changes behavior of the auto-negotiation advertisement and link partner ability registers to meet the requirements of SGMII and reduces the duration of the link timer from 10 ms to 1.6 ms
ignore_rx_fcs (FCSIGNORE)	26	rw	0x0	Ignore RX FCS - when set frames with FCS/CRC errors will not be rejected. FCS error statistics will still be collected for frames with bad FCS and FCS status will be recorded in frame's DMA descriptor. For normal operation this bit must be set to zero.
rx_hd_while_tx (HDRXEN)	25	rw	0x0	Enable frames to be received in half-duplex mode while transmitting.
rx_chksum_offld_en (RXCHKSUMEN)	24	rw	0x0	Receive checksum offload enable - when set, the receive checksum engine is enabled. Frames with bad IP, TCP or UDP checksums are discarded.
dis_cp_pause_frame (PAUSECOPYDI)	23	rw	0x0	Disable copy of pause frames - set to one to prevent valid pause frames being copied to memory. When set, pause frames are not copied to memory regardless of the state of the copy all frames bit; whether a hash match is found or whether a type ID match is identified. If a destination address match is found the pause frame will be copied to memory. Note that valid pause frames received will still increment pause statistics and pause the transmission of frames as required.

Field Name	Bits	Type	Reset Value	Description
dbus_width	22:21	rw	0x0	Data bus width. Only valid bus widths may be written if the system is configured to a maximum width less than 128-bits. Zynq defines gem_dma_bus_width_def as 2'b00. 00: 32 bit AMBA AHB data bus width 01: 64 bit AMBA AHB data bus width 10: 128 bit AMBA AHB data bus width 11: 128 bit AMBA AHB data bus width
mdc_clk_div (MDCCLKDIV)	20:18	rw	0x2	MDC clock division - set according to cpu_1xclk speed. These three bits determine the number cpu_1xclk will be divided by to generate MDC. For conformance with the 802.3 specification, MDC must not exceed 2.5 MHz (MDC is only active during MDIO read and write operations). 000: divide cpu_1xclk by 8 (cpu_1xclk up to 20 MHz) 001: divide cpu_1xclk by 16 (cpu_1xclk up to 40 MHz) 010: divide cpu_1xclk by 32 (cpu_1xclk up to 80 MHz) 011: divide cpu_1xclk by 48 (cpu_1xclk up to 120MHz) 100: divide cpu_1xclk by 64 (cpu_1xclk up to 160 MHz) 101: divide cpu_1xclk by 96 (cpu_1xclk up to 240 MHz) 110: divide cpu_1xclk by 128 (cpu_1xclk up to 320 MHz) 111: divide cpu_1xclk by 224 (cpu_1xclk up to 540 MHz)
fcs_remove (FCSREM)	17	rw	0x0	FCS remove - setting this bit will cause received frames to be written to memory without their frame check sequence (last 4 bytes). The frame length indicated will be reduced by four bytes in this mode.
len_err_frame_disc (LENGTHERRDSCRD)	16	rw	0x0	Length field error frame discard - setting this bit causes frames with a measured length shorter than the extracted length field (as indicated by bytes 13 and 14 in a non-VLAN tagged frame) to be discarded. This only applies to frames with a length field less than 0x0600.
rx_buf_offset (RXOFFS)	15:14	rw	0x0	Receive buffer offset - indicates the number of bytes by which the received data is offset from the start of the receive buffer.

Field Name	Bits	Type	Reset Value	Description
pause_en (PAUSEEN)	13	rw	0x0	Pause enable - when set, transmission will pause if a non zero 802.3 classic pause frame is received and PFC has not been negotiated.
retry_test (RETRYTESTEN)	12	rw	0x0	Retry test - must be set to zero for normal operation. If set to one the backoff between collisions will always be one slot time. Setting this bit to one helps test the too many retries condition. Also used in the pause frame tests to reduce the pause counter's decrement time from 512 bit times, to every rx_clk cycle.
pcs_sel	11	rw	0x0	NA 0: GMII/MII interface enabled, TBI disabled 1: TBI enabled, GMII/MII disabled
gige_en (1000)	10	rw	0x0	Gigabit mode enable - setting this bit configures the GEM for 1000 Mbps operation. 0: 10/100 operation using MII or TBI interface 1: Gigabit operation using GMII or TBI interface
ext_addr_match_en (EXTADDRMATCHEN)	9	rw	0x0	External address match enable - when set the external address match interface can be used to copy frames to memory.
rx_1536_byte_frames (1536RXEN)	8	rw	0x0	Receive 1536 byte frames - setting this bit means the GEM will accept frames up to 1536 bytes in length. Normally the GEM would reject any frame above 1518 bytes.
uni_hash_en (UCASTHASHEN)	7	rw	0x0	Unicast hash enable - when set, unicast frames will be accepted when the 6 bit hash function of the destination address points to a bit that is set in the hash register.
multi_hash_en (MCASTHASHEN)	6	rw	0x0	Multicast hash enable - when set, multicast frames will be accepted when the 6 bit hash function of the destination address points to a bit that is set in the hash register.
no_broadcast (BCASTDI)	5	rw	0x0	No broadcast - when set to logic one, frames addressed to the broadcast address of all ones will not be accepted.
copy_all (COPYALLEN)	4	rw	0x0	Copy all frames - when set to logic one, all valid frames will be accepted.
reserved	3	rw	0x0	Reserved. Do not modify.
disc_non_vlan (NVLANDISC)	2	rw	0x0	Discard non-VLAN frames - when set only VLAN tagged frames will be passed to the address matching logic.

Field Name	Bits	Type	Reset Value	Description
full_duplex (FDEN)	1	rw	0x0	Full duplex - if set to logic one, the transmit block ignores the state of collision and carrier sense and allows receive while transmitting. Also controls the half-duplex pin.
speed (100)	0	rw	0x0	Speed - set to logic one to indicate 100Mbps operation, logic zero for 10Mbps. The value of this pin is reflected on the speed_mode[0] output pin.

### Register (GEM) net\_status

Name	net_status
Software Name	XEMACPS_NWSR
Relative Address	0x00000008
Absolute Address	gem0: 0xE000B008 gem1: 0xE000C008
Width	32 bits
Access Type	ro
Reset Value	x
Description	Network Status

#### Register net\_status Details

The network status register returns status information with respect to the PHY management interface.

Field Name	Bits	Type	Reset Value	Description
reserved	31:7	ro	0x0	Reserved, read as zero, ignored on write.
pfc_pri_pause_neg	6	ro	0x0	Set when PFC Priority Based Pause has been negotiated.
pcs_autoneg_pause_tx_res	5	ro	0x0	NA
pcs_autoneg_pause_rx_res	4	ro	0x0	NA
pcs_autoneg_dup_res	3	ro	0x0	NA
phy_mgmt_idle	2	ro	0x1	The PHY management logic is idle (i.e. has completed).
mdio_in_pin_status (MDIO)	1	ro	x	Returns status of the mdio_in pin
pcs_link_state	0	ro	0x0	NA

Register ([GEM](#)) dma\_cfg

Name	dma_cfg
Software Name	XEMACPS_DMACR
Relative Address	0x00000010
Absolute Address	gem0: 0xE000B010 gem1: 0xE000C010
Width	32 bits
Access Type	mixed
Reset Value	0x00020784
Description	DMA Configuration

Register dma\_cfg Details

Field Name	Bits	Type	Reset Value	Description
reserved	31:25	ro	0x0	Reserved, read as zero, ignored on write.
disc_when_no_ahb	24	rw	0x0	When set, the GEM DMA will automatically discard receive packets from the receiver packet buffer memory when no AHB resource is available. When low, then received packets will remain to be stored in the SRAM based packet buffer until AHB buffer resource next becomes available.
ahb_mem_rx_buf_size (RXBUF)	23:16	rw	0x2	DMA receive buffer size in AHB system memory. The value defined by these bits determines the size of buffer to use in main AHB system memory when writing received data. The value is defined in multiples of 64 bytes such that a value of 0x01 corresponds to buffers of 64 bytes, 0x02 corresponds to 128 bytes etc. For example: 0x02: 128 byte 0x18: 1536 byte (1*max length frame/buffer) 0xA0: 10240 byte (1*10k jumbo frame/buffer) Note that this value should never be written as zero.
reserved	15:12	ro	0x0	Reserved, read as zero, ignored on write.

Field Name	Bits	Type	Reset Value	Description
csum_gen_offload_en (TCPCKSUM)	11	rw	0x0	<p>Transmitter IP, TCP and UDP checksum generation offload enable. When set, the transmitter checksum generation engine is enabled, to calculate and substitute checksums for transmit frames. When clear, frame data is unaffected.</p> <p>If the GEM is not configured to use the DMA packet buffer, this bit is not implemented and will be treated as reserved, read as zero, ignored on write.</p> <p>Zynq uses packet buffer.</p>
tx_pktbuf_memsz_sel (TXSIZE)	10	rw	0x1	<p>Transmitter packet buffer memory size select - Having this bit at zero halves the amount of memory used for the transmit packet buffer. This reduces the amount of memory used by the GEM. It is important to set this bit to one if the full configured physical memory is available. The value in brackets below represents the size that would result for the default maximum configured memory size of 4 kB.</p> <p>1: Use full configured addressable space (4 kB) 0: Do not use top address bit (2 kB)</p> <p>If the GEM is not configured to use the DMA packet buffer, this bit is not implemented and will be treated as reserved, read as zero, ignored on write. Zynq uses packet buffer.</p>
rx_pktbuf_memsz_sel (RXSIZE)	9:8	rw	0x3	<p>Receiver packet buffer memory size select - Having these bits at less than 11 reduces the amount of memory used for the receive packet buffer. This reduces the amount of memory used by the GEM. It is important to set these bits both to one if the full configured physical memory is available. The value in brackets below represents the size that would result for the default maximum configured memory size of 8 kBs.</p> <p>00: Do not use top three address bits (1 kB) 01: Do not use top two address bits (2 kB) 10: Do not use top address bit (4 kB) 11: Use full configured addressable space (8 kB)</p> <p>If the controller is not configured to use the DMA packet buffer, these bits are not implemented and will be treated as reserved, read as zero, ignored on write. Zynq uses packet buffer.</p>
ahb_endian_swp_pkt_en (ENDIAN)	7	rw	0x1	<p>AHB endian swap mode enable for packet data accesses - When set, selects swapped endianism for AHB transfers. When clear, selects little endian mode.</p>

Field Name	Bits	Type	Reset Value	Description
ahb_endian_swp_mgmt_en	6	rw	0x0	AHB endian swap mode enable for management descriptor accesses - When set, selects swapped endianism for AHB transfers. When clear, selects little endian mode.
reserved	5	rw	0x0	Reserved, read as zero, ignored on write
ahb_fixed_burst_len (BLENGTH)	4:0	rw	0x4	<p>AHB fixed burst length for DMA data operations - Selects the burst length to attempt to use on the AHB when transferring frame data. Not used for DMA management operations and only used where space and data size allow. Otherwise SINGLE type AHB transfers are used.</p> <p>Upper bits become non-writeable if the configured DMA TX and RX FIFO sizes are smaller than required to support the selected burst size.</p> <p>One-hot priority encoding enforced automatically on register writes as follows, where 'x' represents don't care:</p> <p>00001: Always use SINGLE AHB bursts                      0001x: Always use SINGLE AHB bursts                      001xx: Attempt to use INCR4 AHB bursts (default)                      01xxx: Attempt to use INCR8 AHB bursts                      1xxxx: Attempt to use INCR16 AHB bursts                      others: reserved</p>

### Register (GEM) tx\_status

Name	tx_status
Software Name	XEMACPS_TXSR
Relative Address	0x00000014
Absolute Address	gem0: 0xE000B014 gem1: 0xE000C014
Width	32 bits
Access Type	mixed
Reset Value	0x00000000
Description	Transmit Status

#### Register tx\_status Details

This register, when read, provides details of the status of a transmit. Once read, individual bits may be cleared by writing 1 to them. It is not possible to set a bit to 1 by writing to the register.

Field Name	Bits	Type	Reset Value	Description
reserved	31:9	ro	0x0	Reserved, read as zero, ignored on write.
hresp_not_ok (HRESPNOK)	8	wtc	0x0	Hresp not OK - set when the DMA block sees hresp not OK. Cleared by writing a one to this bit.
late_collision	7	wtc	0x0	Late collision occurred - only set if the condition occurs in gigabit mode, as retry is not attempted. Cleared by writing a one to this bit.
tx_under_run (URUN)	6	wtc	0x0	<p>Transmit under run - this bit is set if the transmitter was forced to terminate a frame that it had already began transmitting due to further data being unavailable.</p> <p>This bit is set if a transmitter status write back has not completed when another status write back is attempted.</p> <p>When using the DMA interface configured for internal FIFO mode, this bit is also set when the transmit DMA has written the SOP data into the FIFO and either the AHB bus was not granted in time for further data, or because an AHB not OK response was returned, or because a used bit was read.</p> <p>When using the DMA interface configured for packet buffer mode, this bit will never be set.</p> <p>When using the external FIFO interface, this bit is also set when the tx_r_underflow input is asserted during a frame transfer. Cleared by writing a 1.</p>
tx_complete (TXCOMPL)	5	wtc	0x0	Transmit complete - set when a frame has been transmitted. Cleared by writing a one to this bit.
tx_corr_ahb_err (BUFEXH)	4	wtc	0x0	<p>Transmit frame corruption due to AHB error - set if an error occurs whilst midway through reading transmit frame from the AHB, including HRESP errors and buffers exhausted mid frame (if the buffers run out during transmission of a frame then transmission stops, FCS shall be bad and tx_er asserted).</p> <p>Also set in DMA packet buffer mode if single frame is too large for configured packet buffer memory size.</p> <p>Cleared by writing a one to this bit.</p>
tx_go (TXGO)	3	ro	0x0	<p>Transmit go - if high transmit is active.</p> <p>When using the exposed FIFO interface, this bit represents bit 3 of the network control register.</p> <p>When using the DMA interface this bit represents the tx_go variable as specified in the transmit buffer description.</p>



Field Name	Bits	Type	Reset Value	Description
retry_limit_exceeded (RXOVR)	2	wtc	0x0	Retry limit exceeded - cleared by writing a one to this bit.
collision (FRAMERX)	1	wtc	0x0	Collision occurred - set by the assertion of collision. Cleared by writing a one to this bit. When operating in 10/100 mode, this status indicates either a collision or a late collision. In gigabit mode, this status is not set for a late collision.
used_bit_read (USEDREAD)	0	wtc	0x0	Used bit read - set when a transmit buffer descriptor is read with its used bit set. Cleared by writing a one to this bit.

### Register (GEM) rx\_qbar

Name	rx_qbar
Software Name	XEMACPS_RXQBASE
Relative Address	0x00000018
Absolute Address	gem0: 0xE000B018 gem1: 0xE000C018
Width	32 bits
Access Type	mixed
Reset Value	0x00000000
Description	Receive Buffer Queue Base Address

#### Register rx\_qbar Details

This register holds the start address of the receive buffer queue (receive buffers descriptor list). The receive buffer queue base address must be initialized before receive is enabled through bit 2 of the network control register. Once reception is enabled, any write to the receive buffer queue base address register is ignored. Reading this register returns the location of the descriptor currently being accessed. This value increments as buffers are used. Software should not use this register for determining where to remove received frames from the queue as it constantly changes as new frames are received. Software should instead work its way through the buffer descriptor queue checking the 'used' bits.

The descriptors should be aligned at 32-bit boundaries and the descriptors are written to using two individual non sequential accesses.

Field Name	Bits	Type	Reset Value	Description
rx_q_baseaddr	31:2	rw	0x0	Receive buffer queue base address - written with the address of the start of the receive queue.
reserved	1:0	ro	0x0	Reserved, read as 0, ignored on write.

### Register (GEM) tx\_qbar

Name	tx_qbar
Software Name	XEMACPS_TXQBASE
Relative Address	0x0000001C
Absolute Address	gem0: 0xE000B01C gem1: 0xE000C01C
Width	32 bits
Access Type	mixed
Reset Value	0x00000000
Description	Transmit Buffer Queue Base Address

#### Register tx\_qbar Details

This register holds the start address of the transmit buffer queue (transmit buffers descriptor list). The transmit buffer queue base address register must be initialized before transmit is started through bit 9 of the network control register. Once transmission has started, any write to the transmit buffer queue base address register is illegal and therefore ignored.

Note that due to clock boundary synchronization, it takes a maximum of four pclk cycles from the writing of the transmit start bit before the transmitter is active. Writing to the transmit buffer queue base address register during this time may produce unpredictable results.

Reading this register returns the location of the descriptor currently being accessed. Since the DMA handles two frames at once, this may not necessarily be pointing to the current frame being transmitted.

The descriptors should be aligned at 32-bit boundaries and the descriptors are read from memory using two individual non sequential accesses.

Field Name	Bits	Type	Reset Value	Description
tx_q_base_addr	31:2	rw	0x0	Transmit buffer queue base address - written with the address of the start of the transmit queue.
reserved	1:0	ro	0x0	Reserved, read as 0, ignored on write.

### Register (GEM) rx\_status

Name	rx_status
Software Name	XEMACPS_RXSR
Relative Address	0x00000020
Absolute Address	gem0: 0xE000B020 gem1: 0xE000C020
Width	32 bits
Access Type	mixed
Reset Value	0x00000000

Description Receive Status

### Register rx\_status Details

When read provides details of the status of a receive. Once read, individual bits may be cleared by writing 1 to them. It is not possible to set a bit to 1 by writing to the register.

Field Name	Bits	Type	Reset Value	Description
reserved	31:4	ro	0x0	Reserved, read as 0, ignored on write.
hresp_not_ok (HRESPNOK)	3	wtc	0x0	Hresp not OK - set when the DMA block sees hresp not OK. Cleared by writing a one to this bit.
rx_overrun (RXOVR)	2	wtc	0x0	Receive overrun - this bit is set if either the gem_dma RX FIFO or external RX FIFO were unable to store the receive frame due to a FIFO overflow, or if the receive status, reported by the gem_rx module to the gem_dma was not taken at end of frame. This bit is also set in DMA packet buffer mode if the packet buffer overflows. For DMA operation the buffer will be recovered if an overrun occurs. This bit is cleared by writing a one to it.
frame_recd (FRAMERX)	1	wtc	0x0	Frame received - one or more frames have been received and placed in memory. Cleared by writing a one to this bit.
buffer_not_avail (BUFFNA)	0	wtc	0x0	Buffer not available - an attempt was made to get a new buffer and the pointer indicated that it was owned by the processor. The DMA will reread the pointer each time an end of frame is received until a valid pointer is found. This bit is set following each descriptor read attempt that fails, even if consecutive pointers are unsuccessful and software has in the mean time cleared the status flag. Cleared by writing a one to this bit.

### Register (GEM) intr\_status

Name intr\_status  
 Software Name XEMACPS\_ISR  
 Relative Address 0x00000024  
 Absolute Address gem0: 0xE000B024  
 gem1: 0xE000C024  
 Width 32 bits  
 Access Type mixed  
 Reset Value 0x00000000  
 Description Interrupt Status

### Register intr\_status Details

Indicates an interrupt is asserted by the controller and is enabled (unmasked).

0: not asserted

1: asserted (if any bit reads as a 1, then the ethernet\_int signal will be asserted to the interrupt controller)

Field Name	Bits	Type	Reset Value	Description
reserved	31:27	ro	0x0	Reserved, read as 0, ignored on write.
tsu_sec_incr	26	wtc	0x0	TSU seconds register increment - indicates the register has incremented.
pdelay_resp_tx (XEMACPS_IXR_PTPP STX)	25	wtc	0x0	PTP pdelay_resp frame transmitted - indicates a PTP pdelay_resp frame has been transmitted.
pdelay_req_tx (XEMACPS_IXR_PTPP DRTX)	24	wtc	0x0	PTP pdelay_req frame transmitted - indicates a PTP pdelay_req frame has been transmitted.
pdelay_resp_rx (XEMACPS_IXR_PTPS TX)	23	wtc	0x0	PTP pdelay_resp frame received - indicates a PTP pdelay_resp frame has been received.
pdelay_req_rx (XEMACPS_IXR_PTP DRTX)	22	wtc	0x0	PTP pdelay_req frame received - indicates a PTP pdelay_req frame has been received.
sync_tx (XEMACPS_IXR_PTPP SRX)	21	wtc	0x0	PTP sync frame transmitted - indicates a PTP sync frame has been transmitted.
delay_req_tx (XEMACPS_IXR_PTPP DRRX)	20	wtc	0x0	PTP delay_req frame transmitted - indicates a PTP delay_req frame has been transmitted.
sync_rx (XEMACPS_IXR_PTPS RX)	19	wtc	0x0	PTP sync frame received - indicates a PTP sync frame has been received.
delay_req_rx (XEMACPS_IXR_PTP DRRX)	18	wtc	0x0	PTP delay_req frame received - indicates a PTP delay_req frame has been received.
partner_pg_rx	17	wtc	0x0	NA
autoneg_complete	16	wtc	0x0	NA
ext_intr	15	wtc	0x0	External interrupt - set when a rising edge has been detected on the ext_interrupt_in input pin.
pause_tx (XEMACPS_IXR_PAU SETX)	14	wtc	0x0	Pause frame transmitted - indicates a pause frame has been successfully transmitted after being initiated from the network control register or from the tx_pause control pin.

Field Name	Bits	Type	Reset Value	Description
pause_zero (XEMACPS_IXR_PAUSEZERO)	13	wtc	0x0	Pause time zero - set when either the pause time register at address 0x38 decrements to zero, or when a valid pause frame is received with a zero pause quantum field.
pause_nonzeroq_rx (XEMACPS_IXR_PAUSENZERO)	12	wtc	0x0	Pause frame with non-zero pause quantum received - indicates a valid pause has been received that has a non-zero pause quantum field.
hresp_not_ok (XEMACPS_IXR_HRESPNOK)	11	wtc	0x0	Hresp not OK - set when the DMA block sees hresp not OK.
rx_overrun (XEMACPS_IXR_RXOVR)	10	wtc	0x0	Receive overrun - set when the receive overrun status bit gets set.
link_chng	9	wtc	0x0	NA
reserved	8	ro	0x0	Reserved
tx_complete (XEMACPS_IXR_TXCOMPL)	7	wtc	0x0	Transmit complete - set when a frame has been transmitted.
tx_corrupt_ahb_err (XEMACPS_IXR_TXERR)	6	clonrd	0x0	<p>Transmit frame corruption due to AHB error - set if an error occurs while midway through reading transmit frame from the AHB, including HRESP errors and buffers exhausted mid frame (if the buffers run out during transmission of a frame then transmission stops, FCS shall be bad and tx_er asserted).</p> <p>Also set in DMA packet buffer mode if single frame is too large for configured packet buffer memory size.</p> <p>Cleared on a read.</p>
retry_ex_late_collisn (XEMACPS_IXR_RETRY)	5	wtc	0x0	<p>Retry limit exceeded or late collision - transmit error.</p> <p>Late collision will only cause this status bit to be set in gigabit mode (as a retry is not attempted).</p>
reserved	4	wtc	0x0	Reserved. Do not modify.
tx_used_read (XEMACPS_IXR_TXUSED)	3	wtc	0x0	TX used bit read - set when a transmit buffer descriptor is read with its used bit set.
rx_used_read (XEMACPS_IXR_RXUSED)	2	wtc	0x0	RX used bit read - set when a receive buffer descriptor is read with its used bit set.

Field Name	Bits	Type	Reset Value	Description
rx_complete (XEMACPS_IXR_FRA MERX)	1	wtc	0x0	Receive complete - a frame has been stored in memory.
mgmt_sent (XEMACPS_IXR_MG MNT)	0	wtc	0x0	Management frame sent - the PHY maintenance register has completed its operation.

### Register (GEM) intr\_en

Name	intr_en
Software Name	XEMACPS_IER
Relative Address	0x00000028
Absolute Address	gem0: 0xE000B028 gem1: 0xE000C028
Width	32 bits
Access Type	wo
Reset Value	x
Description	Interrupt Enable

#### Register intr\_en Details

Enable interrupts by writing a 1 to one or more bits.

Write a 1 to enable (unmask) the interrupt.

Writing 0 has no affect on the mask bit.

When read, this register returns zero. To control interrupt masks and read status, use the interrupt status, enable, disable and mask registers together. At reset, all interrupts are disabled (masked).

Field Name	Bits	Type	Reset Value	Description
reserved	31:27	wo	x	Reserved
tsu_sec_incr	26	wo	x	Enable TSU seconds register increment interrupt
pdelay_resp_tx (XEMACPS_IXR_PTPP STX)	25	wo	x	Enable PTP pdelay_resp frame transmitted interrupt
pdelay_req_tx (XEMACPS_IXR_PTPP DRTX)	24	wo	x	Enable PTP pdelay_req frame transmitted interrupt
pdelay_resp_rx (XEMACPS_IXR_PTPS TX)	23	wo	x	Enable PTP pdelay_resp frame received interrupt

Field Name	Bits	Type	Reset Value	Description
pdelay_req_rx (XEMACPS_IXR_PTP DRTX)	22	wo	x	Enable PTP pdelay_req frame received interrupt
sync_tx (XEMACPS_IXR_PTPP SRX)	21	wo	x	Enable PTP sync frame transmitted interrupt
delay_req_tx (XEMACPS_IXR_PTPP DRRX)	20	wo	x	Enable PTP delay_req frame transmitted interrupt
sync_rx (XEMACPS_IXR_PTPS RX)	19	wo	x	Enable PTP sync frame received interrupt
delay_req_rx (XEMACPS_IXR_PTP DRRX)	18	wo	x	Enable PTP delay_req frame received interrupt
partner_pg_rx	17	wo	x	NA
autoneg_complete	16	wo	x	NA
ext_intr	15	wo	x	Enable external interrupt
pause_tx (XEMACPS_IXR_PAU SETX)	14	wo	x	Enable pause frame transmitted interrupt
pause_zero (XEMACPS_IXR_PAU SEZERO)	13	wo	x	Enable pause time zero interrupt
pause_nonzeroq (XEMACPS_IXR_PAU SENZERO)	12	wo	x	Enable pause frame with non-zero pause quantum interrupt
hresp_not_ok (XEMACPS_IXR_HRE SPNOK)	11	wo	x	Enable hresp not OK interrupt
rx_overrun (XEMACPS_IXR_RXO VR)	10	wo	x	Enable receive overrun interrupt
link_chng	9	wo	x	Enable link change interrupt
reserved	8	wo	x	Not used
tx_complete (XEMACPS_IXR_TXC OMPL)	7	wo	x	Enable transmit complete interrupt
tx_corrupt_ahb_err (XEMACPS_IXR_TXEX H)	6	wo	x	Enable transmit frame corruption due to AHB error interrupt

Field Name	Bits	Type	Reset Value	Description
retry_ex_late_collisn (XEMACPS_IXR_RETR Y)	5	wo	x	Enable retry limit exceeded or late collision interrupt
tx_underrun (XEMACPS_IXR_URU N)	4	wo	x	Enable transmit buffer under run interrupt
tx_used_read (XEMACPS_IXR_TXUS ED)	3	wo	x	Enable transmit used bit read interrupt
rx_used_read (XEMACPS_IXR_RXU SED)	2	wo	x	Enable receive used bit read interrupt
rx_complete (XEMACPS_IXR_FRA MERX)	1	wo	x	Enable receive complete interrupt
mgmt_done (XEMACPS_IXR_MG MNT)	0	wo	x	Enable management done interrupt

### Register ([GEM](#)) intr\_dis

Name	intr_dis
Software Name	XEMACPS_IDR
Relative Address	0x0000002C
Absolute Address	gem0: 0xE000B02C gem1: 0xE000C02C
Width	32 bits
Access Type	wo
Reset Value	x
Description	Interrupt Disable

#### Register intr\_dis Details

Disable interrupts by applying a mask to one or more bits.

Write 1 to disable (mask) the interrupt.

Writing 0 has no affect on the mask bit.

When read, this register returns zero.



Field Name	Bits	Type	Reset Value	Description
reserved	31:27	wo	x	Reserved
tsu_sec_incr	26	wo	x	Disable TSU seconds register increment interrupt
pdelay_resp_tx (XEMACPS_IXR_PTPP STX)	25	wo	x	Disable PTP pdelay_resp frame transmitted interrupt
pdelay_req_tx (XEMACPS_IXR_PTPP DRTX)	24	wo	x	Disable PTP pdelay_req frame transmitted interrupt
pdelay_resp_rx (XEMACPS_IXR_PTPS TX)	23	wo	x	Disable PTP pdelay_resp frame received interrupt
pdelay_req_rx (XEMACPS_IXR_PTP DRTX)	22	wo	x	Disable PTP pdelay_req frame received interrupt
sync_tx (XEMACPS_IXR_PTPP SRX)	21	wo	x	Disable PTP sync frame transmitted interrupt
delay_req_tx (XEMACPS_IXR_PTPP DRRX)	20	wo	x	Disable PTP delay_req frame transmitted interrupt
sync_rx (XEMACPS_IXR_PTPS RX)	19	wo	x	Disable PTP sync frame received interrupt
delay_req_rx (XEMACPS_IXR_PTP DRRX)	18	wo	x	Disable PTP delay_req frame received interrupt
partner_pg_rx	17	wo	x	NA
autoneg_complete	16	wo	x	NA
ext_intr	15	wo	x	Disable external interrupt
pause_tx (XEMACPS_IXR_PAU SETX)	14	wo	x	Disable pause frame transmitted interrupt
pause_zero (XEMACPS_IXR_PAU SEZERO)	13	wo	x	Disable pause time zero interrupt
pause_nonzeroq (XEMACPS_IXR_PAU SENZERO)	12	wo	x	Disable pause frame with non-zero pause quantum interrupt
hresp_not_ok (XEMACPS_IXR_HRE SPNOK)	11	wo	x	Disable hresp not OK interrupt

Field Name	Bits	Type	Reset Value	Description
rx_overrun (XEMACPS_IXR_RXOVR)	10	wo	x	Disable receive overrun interrupt
link_chng	9	wo	x	Disable link change interrupt
reserved	8	wo	x	Not used
tx_complete (XEMACPS_IXR_TXCOMPL)	7	wo	x	Disable transmit complete interrupt
tx_corrupt_ahb_err (XEMACPS_IXR_TXEXH)	6	wo	x	Disable transmit frame corruption due to AHB error interrupt
retry_ex_late_collisn (XEMACPS_IXR_RETRY)	5	wo	x	Disable retry limit exceeded or late collision interrupt
tx_underrun (XEMACPS_IXR_URUN)	4	wo	x	Disable transmit buffer under run interrupt
tx_used_read (XEMACPS_IXR_TXUSED)	3	wo	x	Disable transmit used bit read interrupt
rx_used_read (XEMACPS_IXR_RXUSED)	2	wo	x	Disable receive used bit read interrupt
rx_complete (XEMACPS_IXR_FRAGMENTX)	1	wo	x	Disable receive complete interrupt
mgmt_done (XEMACPS_IXR_MGMT)	0	wo	x	Disable management done interrupt

### Register ([GEM](#)) intr\_mask

Name	intr_mask
Software Name	XEMACPS_IMR
Relative Address	0x00000030
Absolute Address	gem0: 0xE000B030 gem1: 0xE000C030
Width	32 bits
Access Type	mixed
Reset Value	x

Description Interrupt Mask Status

**Register intr\_mask Details**

Indicates the mask state of each interrupt.

0: interrupt non masked (enabled)

1: interrupt masked (disabled), reset default

All interrupts are disabled after a module reset. The interrupt masks are individually controlled using the write-only interrupt enable and disable registers.

For test purposes there is a write-only function to the interrupt mask register that allows the bits in the interrupt status register to be set or cleared, regardless of the state of the mask register.

Field Name	Bits	Type	Reset Value	Description
reserved	31:26	ro	0x0	Reserved
pdelay_resp_tx (XEMACPS_IXR_PTPP STX)	25	ro,wo	x	PTP pdelay_resp frame transmitted mask.
pdelay_req_tx (XEMACPS_IXR_PTPP DRTX)	24	ro,wo	x	PTP pdelay_req frame transmitted mask.
pdelay_resp_rx (XEMACPS_IXR_PTPS TX)	23	ro,wo	x	PTP pdelay_resp frame received mask.
pdelay_req_rx (XEMACPS_IXR_PTP DRTX)	22	ro,wo	x	PTP pdelay_req frame received mask.
sync_tx (XEMACPS_IXR_PTPP SRX)	21	ro,wo	x	PTP sync frame transmitted mask.
delay_req_tx (XEMACPS_IXR_PTPP DRRX)	20	ro,wo	x	PTP delay_req frame transmitted mask.
sync_rx (XEMACPS_IXR_PTPS RX)	19	ro,wo	x	PTP sync frame received mask.
delay_req_rx (XEMACPS_IXR_PTP DRRX)	18	ro,wo	x	PTP delay_req frame received mask.
partner_pg_rx	17	ro,wo	x	NA
autoneg_complete	16	ro,wo	0x1	NA
ext_intr	15	ro,wo	0x1	External interrupt mask.

Field Name	Bits	Type	Reset Value	Description
pause_tx (XEMACPS_IXR_PAUSETX)	14	ro,wo	0x1	Pause frame transmitted interrupt mask.
pause_zero (XEMACPS_IXR_PAUSEZERO)	13	ro,wo	0x1	Pause time zero interrupt mask.
pause_nonzeroq (XEMACPS_IXR_PAUSENZERO)	12	ro,wo	0x1	Pause frame with non-zero pause quantum interrupt mask.
hresp_not_ok (XEMACPS_IXR_HRESPNOK)	11	ro,wo	0x1	Hresp not OK interrupt mask.
rx_overrun (XEMACPS_IXR_RXOVR)	10	ro,wo	0x1	Receive overrun interrupt mask.
link_chng	9	ro,wo	0x1	Link change interrupt mask.
reserved	8	ro,wo	0x1	Not used
tx_complete (XEMACPS_IXR_TXCOMPL)	7	ro,wo	0x1	Transmit complete interrupt mask.
tx_corrupt_ahb_err (XEMACPS_IXR_TXEXH)	6	ro,wo	0x1	Transmit frame corruption due to AHB error interrupt
retry_ex_late_collisn (XEMACPS_IXR_RETRY)	5	ro,wo	0x1	Retry limit exceeded or late collision (gigabit mode only)
tx_underrun (XEMACPS_IXR_URUN)	4	ro,wo	0x1	Transmit buffer under run interrupt mask.
tx_used_read (XEMACPS_IXR_TXUSED)	3	ro,wo	0x1	Transmit used bit read interrupt mask.
rx_used_read (XEMACPS_IXR_RXUSED)	2	ro,wo	0x1	Receive used bit read interrupt mask.
rx_complete (XEMACPS_IXR_RXFRMERRX)	1	ro,wo	0x1	Receive complete interrupt mask.
mgmt_done (XEMACPS_IXR_MGMT)	0	ro,wo	0x1	Management done interrupt mask.

## Register (GEM) phy\_maint

Name	phy_maint
Software Name	XEMACPS_PHYMNTNC
Relative Address	0x00000034
Absolute Address	gem0: 0xE000B034 gem1: 0xE000C034
Width	32 bits
Access Type	rw
Reset Value	0x00000000
Description	PHY Maintenance

### Register phy\_maint Details

The PHY maintenance register is implemented as a shift register. Writing to the register starts a shift operation, which is signaled as complete when bit-2 is set in the network status register. It takes about 2000 pclk cycles to complete, when MDC is set for pclk divide by 32 in the network configuration register. An interrupt is generated upon completion. During this time, the MSB of the register is output on the MDIO pin and the LSB updated from the MDIO pin with each MDC cycle. This causes transmission of a PHY management frame on MDIO. See Section 22.2.4.5 of the IEEE 802.3 standard. Reading during the shift operation will return the current contents of the shift register. At the end of management operation, the bits will have shifted back to their original locations. For a read operation, the data bits will be updated with data read from the PHY. It is important to write the correct values to the register to ensure a valid PHY management frame is produced.

Field Name	Bits	Type	Reset Value	Description
reserved	31	rw	0x0	Must be written with 0.
clause_22	30	rw	0x0	Must be written to 1 for Clause 22 operation. Check your PHY's spec to see if it is clause 22 or clause 45 compliant.
operation (OP)	29:28	rw	0x0	Operation. 10 is read. 01 is write.
phy_addr (ADDR)	27:23	rw	0x0	PHY address.
reg_addr (REG)	22:18	rw	0x0	Register address - specifies the register in the PHY to access.
must_10	17:16	rw	0x0	Must be written to 10.
data (DATA)	15:0	rw	0x0	For a write operation this is written with the data to be written to the PHY. After a read operation this contains the data read from the PHY.

### Register (GEM) rx\_pauseq

Name rx\_pauseq  
 Software Name XEMACPS\_RXPAUSE  
 Relative Address 0x00000038  
 Absolute Address gem0: 0xE000B038  
 gem1: 0xE000C038  
 Width 32 bits  
 Access Type ro  
 Reset Value 0x00000000  
 Description Received Pause Quantum

#### Register rx\_pauseq Details

Field Name	Bits	Type	Reset Value	Description
reserved	31:16	ro	0x0	Reserved, read as 0, ignored on write.
rx_pauseq	15:0	ro	0x0	Received pause quantum - stores the current value of the received pause quantum register which is decremented every 512 bit times.

### Register (GEM) tx\_pauseq

Name tx\_pauseq  
 Software Name XEMACPS\_TXPAUSE  
 Relative Address 0x0000003C  
 Absolute Address gem0: 0xE000B03C  
 gem1: 0xE000C03C  
 Width 32 bits  
 Access Type rw  
 Reset Value 0x0000FFFF  
 Description Transmit Pause Quantum

#### Register tx\_pauseq Details

Field Name	Bits	Type	Reset Value	Description
reserved	31:16	rw	0x0	Reserved, read as 0, ignored on write.
tx_pauseq	15:0	rw	0xFFFF	Transmit pause quantum - written with the pause quantum value for pause frame transmission.

### Register ([GEM](#)) hash\_bot

Name	hash_bot
Software Name	XEMACPS_HASHL
Relative Address	0x00000080
Absolute Address	gem0: 0xE000B080 gem1: 0xE000C080
Width	32 bits
Access Type	rw
Reset Value	0x00000000
Description	Hash Register Bottom [31:0]

#### Register hash\_bot Details

The unicast hash enable and the multicast hash enable bits in the network configuration register enable the reception of hash matched frames.

Field Name	Bits	Type	Reset Value	Description
	31:0	rw	0x0	The first 32 bits of the hash address register.

### Register ([GEM](#)) hash\_top

Name	hash_top
Software Name	XEMACPS_HASHH
Relative Address	0x00000084
Absolute Address	gem0: 0xE000B084 gem1: 0xE000C084
Width	32 bits
Access Type	rw
Reset Value	0x00000000
Description	Hash Register Top [63:32]

#### Register hash\_top Details

The unicast hash enable and the multicast hash enable bits in the network configuration register enable the reception of hash matched frames.

Field Name	Bits	Type	Reset Value	Description
	31:0	rw	0x0	The remaining 32 bits of the hash address register.

Register ([GEM](#)) spec\_addr1\_bot

Name	spec_addr1_bot
Software Name	XEMACPS_LADDR1L
Relative Address	0x00000088
Absolute Address	gem0: 0xE000B088 gem1: 0xE000C088
Width	32 bits
Access Type	rw
Reset Value	0x00000000
Description	Specific Address 1 Bottom [31:0]

Register spec\_addr1\_bot Details

Field Name	Bits	Type	Reset Value	Description
	31:0	rw	0x0	Least significant 32 bits of the destination address, that is bits 31:0. Bit zero indicates whether the address is multicast or unicast and corresponds to the least significant bit of the first byte received.

Register ([GEM](#)) spec\_addr1\_top

Name	spec_addr1_top
Software Name	XEMACPS_LADDR1H
Relative Address	0x0000008C
Absolute Address	gem0: 0xE000B08C gem1: 0xE000C08C
Width	32 bits
Access Type	mixed
Reset Value	0x00000000
Description	Specific Address 1 Top [47:32]

Register spec\_addr1\_top Details

Field Name	Bits	Type	Reset Value	Description
reserved	31:16	ro	0x0	Reserved, read as 0, ignored on write
addr_msbs	15:0	rw	0x0	Specific address 1. The most significant bits of the destination address, that is bits 47:32.



Register ([GEM](#)) spec\_addr2\_bot

Name	spec_addr2_bot
Software Name	XEMACPS_LADDR2L
Relative Address	0x00000090
Absolute Address	gem0: 0xE000B090 gem1: 0xE000C090
Width	32 bits
Access Type	rw
Reset Value	0x00000000
Description	Specific Address 2 Bottom [31:0]

Register spec\_addr2\_bot Details

Field Name	Bits	Type	Reset Value	Description
	31:0	rw	0x0	Least significant 32 bits of the destination address, that is bits 31:0. Bit zero indicates whether the address is multicast or unicast and corresponds to the least significant bit of the first byte received.

Register ([GEM](#)) spec\_addr2\_top

Name	spec_addr2_top
Software Name	XEMACPS_LADDR2H
Relative Address	0x00000094
Absolute Address	gem0: 0xE000B094 gem1: 0xE000C094
Width	32 bits
Access Type	mixed
Reset Value	0x00000000
Description	Specific Address 2 Top [47:32]

Register spec\_addr2\_top Details

Field Name	Bits	Type	Reset Value	Description
reserved	31:16	ro	0x0	Reserved, read as 0, ignored on write
addr_msbs	15:0	rw	0x0	Specific address 2. The most significant bits of the destination address, that is bits 47:32.

Register ([GEM](#)) spec\_addr3\_bot

Name	spec_addr3_bot
Software Name	XEMACPS_LADDR3L
Relative Address	0x00000098
Absolute Address	gem0: 0xE000B098 gem1: 0xE000C098
Width	32 bits
Access Type	rw
Reset Value	0x00000000
Description	Specific Address 3 Bottom [31:0]

Register spec\_addr3\_bot Details

Field Name	Bits	Type	Reset Value	Description
	31:0	rw	0x0	Least significant 32 bits of the destination address, that is bits 31:0. Bit zero indicates whether the address is multicast or unicast and corresponds to the least significant bit of the first byte received.

Register ([GEM](#)) spec\_addr3\_top

Name	spec_addr3_top
Software Name	XEMACPS_LADDR3H
Relative Address	0x0000009C
Absolute Address	gem0: 0xE000B09C gem1: 0xE000C09C
Width	32 bits
Access Type	mixed
Reset Value	0x00000000
Description	Specific Address 3 Top [47:32]

Register spec\_addr3\_top Details

Field Name	Bits	Type	Reset Value	Description
reserved	31:16	ro	0x0	Reserved, read as 0, ignored on write
addr_msbs	15:0	rw	0x0	Specific address 3. The most significant bits of the destination address, that is bits 47:32.

Register ([GEM](#)) spec\_addr4\_bot

Name	spec_addr4_bot
Software Name	XEMACPS_LADDR4L
Relative Address	0x000000A0
Absolute Address	gem0: 0xE000B0A0 gem1: 0xE000C0A0
Width	32 bits
Access Type	rw
Reset Value	0x00000000
Description	Specific Address 4 Bottom [31:0]

Register spec\_addr4\_bot Details

Field Name	Bits	Type	Reset Value	Description
	31:0	rw	0x0	Least significant 32 bits of the destination address, that is bits 31:0. Bit zero indicates whether the address is multicast or unicast and corresponds to the least significant bit of the first byte received.

Register ([GEM](#)) spec\_addr4\_top

Name	spec_addr4_top
Software Name	XEMACPS_LADDR4H
Relative Address	0x000000A4
Absolute Address	gem0: 0xE000B0A4 gem1: 0xE000C0A4
Width	32 bits
Access Type	mixed
Reset Value	0x00000000
Description	Specific Address 4 Top [47:32]

Register spec\_addr4\_top Details

Field Name	Bits	Type	Reset Value	Description
reserved	31:16	ro	0x0	Reserved, read as 0, ignored on write
addr_msbs	15:0	rw	0x0	Specific address 4. The most significant bits of the destination address, that is bits 47:32.

### Register (GEM) type\_id\_match1

Name	type_id_match1
Software Name	XEMACPS_MATCH1
Relative Address	0x000000A8
Absolute Address	gem0: 0xE000B0A8 gem1: 0xE000C0A8
Width	32 bits
Access Type	mixed
Reset Value	0x00000000
Description	Type ID Match 1

#### Register type\_id\_match1 Details

Field Name	Bits	Type	Reset Value	Description
copy_en	31	rw	0x0	Enable copying of type ID match 1 matched frames
reserved	30:16	ro	0x0	Reserved, read as 0, ignored on write
type_id_match1	15:0	rw	0x0	Type ID match 1. For use in comparisons with received frames type ID/length field.

### Register (GEM) type\_id\_match2

Name	type_id_match2
Software Name	XEMACPS_MATCH2
Relative Address	0x000000AC
Absolute Address	gem0: 0xE000B0AC gem1: 0xE000C0AC
Width	32 bits
Access Type	mixed
Reset Value	0x00000000
Description	Type ID Match 2

#### Register type\_id\_match2 Details

Field Name	Bits	Type	Reset Value	Description
copy_en	31	rw	0x0	Enable copying of type ID match 2 matched frames

Field Name	Bits	Type	Reset Value	Description
reserved	30:16	ro	0x0	Reserved, read as 0, ignored on write
type_id_match2	15:0	rw	0x0	Type ID match 2. For use in comparisons with received frames type ID/length field.

### Register ([GEM](#)) type\_id\_match3

Name	type_id_match3
Software Name	XEMACPS_MATCH3
Relative Address	0x000000B0
Absolute Address	gem0: 0xE000B0B0 gem1: 0xE000C0B0
Width	32 bits
Access Type	mixed
Reset Value	0x00000000
Description	Type ID Match 3

#### Register type\_id\_match3 Details

Field Name	Bits	Type	Reset Value	Description
copy_en	31	rw	0x0	Enable copying of type ID match 3 matched frames
reserved	30:16	ro	0x0	Reserved, read as 0, ignored on write
type_id_match3	15:0	rw	0x0	Type ID match 3. For use in comparisons with received frames type ID/length field.

### Register ([GEM](#)) type\_id\_match4

Name	type_id_match4
Software Name	XEMACPS_MATCH4
Relative Address	0x000000B4
Absolute Address	gem0: 0xE000B0B4 gem1: 0xE000C0B4
Width	32 bits
Access Type	mixed
Reset Value	0x00000000
Description	Type ID Match 4

Register type\_id\_match4 Details

Field Name	Bits	Type	Reset Value	Description
copy_en	31	rw	0x0	Enable copying of type ID match 4 matched frames
reserved	30:16	ro	0x0	Reserved, read as 0, ignored on write
type_id_match4	15:0	rw	0x0	Type ID match 4. For use in comparisons with received frames type ID/length field.

Register ([GEM](#)) wake\_on\_lan

Name	wake_on_lan
Relative Address	0x000000B8
Absolute Address	gem0: 0xE000B0B8 gem1: 0xE000C0B8
Width	32 bits
Access Type	mixed
Reset Value	0x00000000
Description	Wake on LAN Register

Register wake\_on\_lan Details

Field Name	Bits	Type	Reset Value	Description
reserved	31:20	ro	0x0	Reserved - read 0, ignored when written
multi_hash_en	19	rw	0x0	Wake on LAN multicast hash event enable. When set multicast hash events will cause the wol output to be asserted.
spec_addr_reg1_en	18	rw	0x0	Wake on LAN specific address register 1 event enable. When set specific address 1 events will cause the wol output to be asserted.
arp_req_en	17	rw	0x0	Wake on LAN ARP request event enable. When set ARP request events will cause the wol output to be asserted.
magic_pkt_en	16	rw	0x0	Wake on LAN magic packet event enable. When set magic packet events will cause the wol output to be asserted.
arp_req_ip_addr	15:0	rw	0x0	Wake on LAN ARP request IP address. Written to define the least significant 16 bits of the target IP address that is matched to generate a Wake on LAN event. A value of zero will not generate an event, even if this is matched by the received frame.

### Register (GEM) ipg\_stretch

Name	ipg_stretch
Software Name	XEMACPS_STRETCH
Relative Address	0x000000BC
Absolute Address	gem0: 0xE000B0BC gem1: 0xE000C0BC
Width	32 bits
Access Type	mixed
Reset Value	0x00000000
Description	IPG stretch register

#### Register ipg\_stretch Details

Field Name	Bits	Type	Reset Value	Description
reserved	31:16	ro	0x0	Reserved, read as 0, ignored on write.
ipg_stretch	15:0	rw	0x0	Bits 7:0 are multiplied with the previously transmitted frame length (including preamble) bits 15:8 +1 divide the frame length. If the resulting number is greater than 96 and bit 28 is set in the network configuration register then the resulting number is used for the transmit inter-packet-gap. 1 is added to bits 15:8 to prevent a divide by zero.

### Register (GEM) stacked\_vlan

Name	stacked_vlan
Relative Address	0x000000C0
Absolute Address	gem0: 0xE000B0C0 gem1: 0xE000C0C0
Width	32 bits
Access Type	mixed
Reset Value	0x00000000
Description	Stacked VLAN Register

#### Register stacked\_vlan Details

Field Name	Bits	Type	Reset Value	Description
stacked_vlan_en	31	rw	0x0	Enable Stacked VLAN processing mode

Field Name	Bits	Type	Reset Value	Description
reserved	30:16	ro	0x0	Reserved, read as 0, ignored on write.
user_def_vlan_type	15:0	rw	0x0	User defined VLAN_TYPE field. When Stacked VLAN is enabled, the first VLAN tag in a received frame will only be accepted if the VLAN type field is equal to this user defined VLAN_TYPE OR equal to the standard VLAN type (0x8100). Note that the second VLAN tag of a Stacked VLAN packet will only be matched correctly if its VLAN_TYPE field equals 0x8100.

### Register (GEM) tx\_pfc\_pause

Name	tx_pfc_pause
Relative Address	0x000000C4
Absolute Address	gem0: 0xE000B0C4 gem1: 0xE000C0C4
Width	32 bits
Access Type	mixed
Reset Value	0x00000000
Description	Transmit PFC Pause Register

#### Register tx\_pfc\_pause Details

Field Name	Bits	Type	Reset Value	Description
reserved	31:16	ro	0x0	Reserved, read as 0, ignored on write.
pauseq_sel	15:8	rw	0x0	If bit 17 of the network control register is written with a one then for each entry equal to zero in the Transmit PFC Pause Register[15:8], the PFC pause frame's pause quantum field associated with that entry will be taken from the transmit pause quantum register. For each entry equal to one in the Transmit PFC Pause Register [15:8], the pause quantum associated with that entry will be zero.
pri_en_vec_val	7:0	rw	0x0	If bit 17 of the network control register is written with a one then the priority enable vector of the PFC priority based pause frame will be set equal to the value stored in this register [7:0].

### Register (GEM) spec\_addr1\_mask\_bot

Name	spec_addr1_mask_bot
Relative Address	0x000000C8



Absolute Address      gem0: 0xE000B0C8  
                               gem1: 0xE000C0C8

Width                    32 bits

Access Type            rw

Reset Value            0x00000000

Description            Specific Address Mask 1 Bottom [31:0]

Register spec\_addr1\_mask\_bot Details

Field Name	Bits	Type	Reset Value	Description
mask_bits_bot	31:0	rw	0x0	Setting a bit to one masks the corresponding bit in the specific address 1 register

Register ([GEM](#)) spec\_addr1\_mask\_top

Name                    spec\_addr1\_mask\_top

Relative Address      0x000000CC

Absolute Address      gem0: 0xE000B0CC  
                               gem1: 0xE000C0CC

Width                    32 bits

Access Type            mixed

Reset Value            0x00000000

Description            Specific Address Mask 1 Top [47:32]

Register spec\_addr1\_mask\_top Details

Field Name	Bits	Type	Reset Value	Description
reserved	31:16	ro	0x0	Reserved, read as 0, ignored on write.
mask_bits_top	15:0	rw	0x0	Setting a bit to one masks the corresponding bit in the specific address 1 register

Register ([GEM](#)) module\_id

Name                    module\_id

Relative Address      0x000000FC

Absolute Address      gem0: 0xE000B0FC  
                               gem1: 0xE000C0FC

Width                    32 bits

Access Type            ro

Reset Value 0x00020118  
 Description Module ID

Register module\_id Details

This register indicates a Cadence module identification number and module revision. The value of this register is read only as defined by `gem\_revision\_reg\_value`. With GEM p23, it is 0x00020118.

Field Name	Bits	Type	Reset Value	Description
module_id	31:16	ro	0x2	Module identification number - for the GEM, this value is fixed at 0x0002.
module_rev	15:0	ro	0x118	Module revision - fixed byte value specific to the revision of the design which is incremented after each release of the IP. Corresponds to Zynq having GEM p23.

Register (GEM) octets\_tx\_bot

Name octets\_tx\_bot  
 Software Name XEMACPS\_OCTTXL  
 Relative Address 0x00000100  
 Absolute Address gem0: 0xE000B100  
 gem1: 0xE000C100  
 Width 32 bits  
 Access Type ro  
 Reset Value 0x00000000  
 Description Octets transmitted [31:0] (in frames without error)

Register octets\_tx\_bot Details

Bits 31:0 should be read prior to bits 47:32 to ensure reliable operation. In statistics register block. Is reset to zero on a read and stick at all ones when it counts to its maximum value. It should be read frequently enough to prevent loss of data.

For test purposes, it may be written by setting bit 7 (Write Enable) in the network control register. Setting bit 6 (increment statistics) in the network control register causes all the statistics registers to increment by one, again for test purposes.

Once a statistics register has been read, it is automatically cleared.

Field Name	Bits	Type	Reset Value	Description
octets_tx_bot	31:0	ro	0x0	Transmitted octets in frame without errors [31:0]. The number of octets transmitted in valid frames of any type. This counter is 48-bits, and is read through two registers. This count does not include octets from automatically generated pause frames.

### Register (GEM) octets\_tx\_top

Name	octets_tx_top
Software Name	XEMACPS_OCTTXH
Relative Address	0x00000104
Absolute Address	gem0: 0xE000B104 gem1: 0xE000C104
Width	32 bits
Access Type	ro
Reset Value	0x00000000
Description	Octets transmitted [47:32] (in frames without error)

#### Register octets\_tx\_top Details

Bits 31:0 should be read prior to bits 47:32 to ensure reliable operation. In statistics register block. Is reset to zero on a read and stick at all ones when it counts to its maximum value. It should be read frequently enough to prevent loss of data.

For test purposes, it may be written by setting bit 7 (Write Enable) in the network control register. Setting bit 6 (increment statistics) in the network control register causes all the statistics registers to increment by one, again for test purposes.

Once a statistics register has been read, it is automatically cleared.

Field Name	Bits	Type	Reset Value	Description
reserved	31:16	ro	0x0	Reserved, read as 0, ignored on write.
octets_tx_top	15:0	ro	0x0	Transmitted octets in frame without errors [47:32]. The number of octets transmitted in valid frames of any type. This counter is 48-bits, and is read through two registers. This count does not include octets from automatically generated pause frames.

### Register (GEM) frames\_tx

Name	frames_tx
Software Name	XEMACPS_TXCNT
Relative Address	0x00000108
Absolute Address	gem0: 0xE000B108 gem1: 0xE000C108
Width	32 bits
Access Type	ro
Reset Value	0x00000000
Description	Frames Transmitted

### Register frames\_tx Details

Statistical counter for Frames transmitted without an error and exclude pause frames.

NOTES for ALL Statistical registers for Frames Transferred:

The a statistical counter is read by software, it is cleared to zero by the hardware. When a counter reaches its maximum value, it stops counting and is read with all 1s. The statistical counters must be read frequently enough if data loss is to be prevented.

For test purposes, all of the statistical counters may be written to (not just read) by setting bit 7 (wren\_stat\_regs) in the network control register. Also for test purposes, all of the statistical counters can be incremented (by one) by writing a 1 to bit 6 (incr\_stat\_regs) of the network control register.

Field Name	Bits	Type	Reset Value	Description
	31:0	ro	0x0	Frames transmitted without error. A 32 bit register counting the number of frames successfully transmitted, i.e., no under run and not too many retries. Excludes pause frames.

### Register ([GEM](#)) broadcast\_frames\_tx

Name	broadcast_frames_tx
Software Name	XEMACPS_TXBCCNT
Relative Address	0x000010C
Absolute Address	gem0: 0xE000B10C gem1: 0xE000C10C
Width	32 bits
Access Type	ro
Reset Value	0x00000000
Description	Broadcast frames Tx

### Register broadcast\_frames\_tx Details

Statistical counter for Broadcast Frames transmitted without an error and exclude pause frames. Refer to the FRAMES\_TX register for additional information.

Field Name	Bits	Type	Reset Value	Description
	31:0	ro	0x0	Broadcast frames transmitted without error. A 32 bit register counting the number of broadcast frames successfully transmitted without error, i.e., no under run and not too many retries. Excludes pause frames.

### Register ([GEM](#)) multi\_frames\_tx

Name	multi_frames_tx
------	-----------------

Software Name	XEMACPS_TXMCCNT
Relative Address	0x00000110
Absolute Address	gem0: 0xE000B110 gem1: 0xE000C110
Width	32 bits
Access Type	ro
Reset Value	0x00000000
Description	Multicast frames Tx

### Register multi\_frames\_tx Details

Statistical counter for Multicast Frames transmitted without an error and exclude pause frames. Refer to the FRAMES\_TX register for additional information.

Field Name	Bits	Type	Reset Value	Description
	31:0	ro	0x0	Multicast frames transmitted without error. A 32 bit register counting the number of multicast frames successfully transmitted without error, i.e., no under run and not too many retries. Excludes pause frames.

### Register ([GEM](#)) pause\_frames\_tx

Name	pause_frames_tx
Software Name	XEMACPS_TXPAUSECNT
Relative Address	0x00000114
Absolute Address	gem0: 0xE000B114 gem1: 0xE000C114
Width	32 bits
Access Type	ro
Reset Value	0x00000000
Description	Pause frames Tx

### Register pause\_frames\_tx Details

Statistical counter for Pause Frames transmitted without an error and not sent through the FIFO interface. Refer to the FRAMES\_TX register for additional information.

Field Name	Bits	Type	Reset Value	Description
reserved	31:16	ro	0x0	Reserved, read as 0, ignored on write.
pause_frames_tx	15:0	ro	0x0	Transmitted pause frames - a 16 bit register counting the number of pause frames transmitted. Only pause frames triggered by the register interface or through the external pause pins are counted as pause frames. Pause frames received through the external FIFO interface are counted in the frames transmitted counter.

### Register (GEM) frames\_64b\_tx

Name	frames_64b_tx
Software Name	XEMACPS_TX64CNT
Relative Address	0x00000118
Absolute Address	gem0: 0xE000B118 gem1: 0xE000C118
Width	32 bits
Access Type	ro
Reset Value	0x00000000
Description	Frames Tx, 64-byte length

#### Register frames\_64b\_tx Details

Statistical counter of frames of 64 bytes that are transmitted without error. Does not include pause frames. Refer to the FRAMES\_TX register for additional information.

Field Name	Bits	Type	Reset Value	Description
	31:0	ro	0x0	64 byte frames transmitted without error. A 32 bit register counting the number of 64 byte frames successfully transmitted without error, i.e., no under run and not too many retries. Excludes pause frames.

### Register (GEM) frames\_65to127b\_tx

Name	frames_65to127b_tx
Software Name	XEMACPS_TX65CNT
Relative Address	0x0000011C
Absolute Address	gem0: 0xE000B11C gem1: 0xE000C11C
Width	32 bits

Access Type                ro  
 Reset Value                0x00000000  
 Description                Frames Tx, 65 to 127-byte length

**Register frames\_65to127b\_tx Details**

Statistical counter of frames of 65 to 127 bytes that are transmitted without error. Does not include pause frames. Refer to the FRAMES\_TX register for additional information.

Field Name	Bits	Type	Reset Value	Description
	31:0	ro	0x0	65 to127 byte frames transmitted without error. A 32 bit register counting the number of 65 to127 byte frames successfully transmitted without error, i.e., no under run and not too many retries.

**Register ([GEM](#)) frames\_128to255b\_tx**

Name                        frames\_128to255b\_tx  
 Software Name                XEMACPS\_TX128CNT  
 Relative Address                0x00000120  
 Absolute Address                gem0: 0xE000B120  
                                       gem1: 0xE000C120  
 Width                         32 bits  
 Access Type                 ro  
 Reset Value                 0x00000000  
 Description                 Frames Tx, 128 to 255-byte length

**Register frames\_128to255b\_tx Details**

Statistical counter of frames of 128 to 255 bytes that are transmitted without error. Does not include pause frames. Refer to the FRAMES\_TX register for additional information.

Field Name	Bits	Type	Reset Value	Description
	31:0	ro	0x0	128 to 255 byte frames transmitted without error. A 32 bit register counting the number of 128 to 255 byte frames successfully transmitted without error, i.e., no under run and not too many retries.

**Register ([GEM](#)) frames\_256to511b\_tx**

Name                        frames\_256to511b\_tx  
 Software Name                XEMACPS\_TX256CNT  
 Relative Address                0x00000124

Absolute Address      gem0: 0xE000B124  
                               gem1: 0xE000C124

Width                    32 bits

Access Type            ro

Reset Value            0x00000000

Description            Frames Tx, 256 to 511-byte length

**Register frames\_256to511b\_tx Details**

Statistical counter of frames of 256 to 511 bytes that are transmitted without error. Does not include pause frames. Refer to the FRAMES\_TX register for additional information.

Field Name	Bits	Type	Reset Value	Description
	31:0	ro	0x0	256 to 511 byte frames transmitted without error. A 32 bit register counting the number of 256 to 511 byte frames successfully transmitted without error, i.e., no under run and not too many retries.

**Register ([GEM](#)) frames\_512to1023b\_tx**

Name                    frames\_512to1023b\_tx

Software Name        XEMACPS\_TX512CNT

Relative Address     0x00000128

Absolute Address    gem0: 0xE000B128  
                               gem1: 0xE000C128

Width                    32 bits

Access Type            ro

Reset Value            0x00000000

Description            Frames Tx, 512 to 1023-byte length

**Register frames\_512to1023b\_tx Details**

Statistical counter of frames of 512 to 1023 bytes that are transmitted without error. Does not include pause frames. Refer to the FRAMES\_TX register for additional information.

Field Name	Bits	Type	Reset Value	Description
	31:0	ro	0x0	512 to 1023 byte frames transmitted without error. A 32 bit register counting the number of 512 to 1023 byte frames successfully transmitted without error, i.e., no under run and not too many retries.



### Register (GEM) frames\_1024to1518b\_tx

Name	frames_1024to1518b_tx
Software Name	XEMACPS_TX1024CNT
Relative Address	0x0000012C
Absolute Address	gem0: 0xE000B12C gem1: 0xE000C12C
Width	32 bits
Access Type	ro
Reset Value	0x00000000
Description	Frame Tx, 1024 to 1518-byte length

#### Register frames\_1024to1518b\_tx Details

Statistical counter of frames of 1024 to 1518 bytes that are transmitted without error. Does not include pause frames. Refer to the FRAMES\_TX register for additional information.

Field Name	Bits	Type	Reset Value	Description
	31:0	ro	0x0	1024 to 1518 byte frames transmitted without error. A 32 bit register counting the number of 1024 to 1518 byte frames successfully transmitted without error, i.e., no under run and not too many retries.

### Register (GEM) tx\_under\_runs

Name	tx_under_runs
Software Name	XEMACPS_TXURUNCNT
Relative Address	0x00000134
Absolute Address	gem0: 0xE000B134 gem1: 0xE000C134
Width	32 bits
Access Type	ro
Reset Value	0x00000000
Description	Transmit under runs

#### Register tx\_under\_runs Details

In statistics register block. Is reset to zero on a read and stick at all ones when it counts to its maximum value. It should be read frequently enough to prevent loss of data.

For test purposes, it may be written by setting bit 7 (Write Enable) in the network control register. Setting bit 6 (increment statistics) in the network control register causes all the statistics registers to increment by one, again for test purposes.

Once a statistics register has been read, it is automatically cleared.

Field Name	Bits	Type	Reset Value	Description
reserved	31:10	ro	0x0	Reserved, read as 0, ignored on write.
tx_under_runs	9:0	ro	0x0	Transmit under runs - a 10 bit register counting the number of frames not transmitted due to a transmit under run. If this register is incremented then no other statistics register is incremented.

### Register (GEM) single\_collisn\_frames

Name	single_collisn_frames
Software Name	XEMACPS_SNGLCOLLCNT
Relative Address	0x00000138
Absolute Address	gem0: 0xE000B138 gem1: 0xE000C138
Width	32 bits
Access Type	ro
Reset Value	0x00000000
Description	Single Collision Frames

#### Register single\_collisn\_frames Details

In statistics register block. Is reset to zero on a read and sticks at all ones when it counts to its maximum value. It should be read frequently enough to prevent loss of data.

For test purposes, it may be written by setting bit 7 (Write Enable) in the network control register. Setting bit 6 (increment statistics) in the network control register causes all the statistics registers to increment by one, again for test purposes.

Once a statistics register has been read, it is automatically cleared.

Field Name	Bits	Type	Reset Value	Description
reserved	31:18	ro	0x0	Reserved, read as 0, ignored on write.
single_collisn	17:0	ro	0x0	Single collision frames - an 18 bit register counting the number of frames experiencing a single collision before being successfully transmitted, i.e. no under run.

### Register (GEM) multi\_collisn\_frames

Name	multi_collisn_frames
Software Name	XEMACPS_MULTICOLLCNT
Relative Address	0x0000013C

Absolute Address      gem0: 0xE000B13C  
                               gem1: 0xE000C13C

Width                    32 bits

Access Type            ro

Reset Value            0x00000000

Description            Multiple Collision Frames

**Register multi\_collisn\_frames Details**

In statistics register block. Is reset to zero on a read and sticks at all ones when it counts to its maximum value. It should be read frequently enough to prevent loss of data.

For test purposes, it may be written by setting bit 7 (Write Enable) in the network control register. Setting bit 6 (increment statistics) in the network control register causes all the statistics registers to increment by one, again for test purposes.

Once a statistics register has been read, it is automatically cleared.

Field Name	Bits	Type	Reset Value	Description
reserved	31:18	ro	0x0	Reserved, read as 0, ignored on write.
multi_collisn	17:0	ro	0x0	Multiple collision frames - an 18 bit register counting the number of frames experiencing between two and fifteen collisions prior to being successfully transmitted, i.e., no under run and not too many retries.

**Register ([GEM](#)) excessive\_collisns**

Name                    excessive\_collisns

Software Name        XEMACPS\_EXCESSCOLLCNT

Relative Address     0x00000140

Absolute Address     gem0: 0xE000B140  
                               gem1: 0xE000C140

Width                    32 bits

Access Type            ro

Reset Value            0x00000000

Description            Excessive Collisions

**Register excessive\_collisns Details**

In statistics register block. Is reset to zero on a read and sticks at all ones when it counts to its maximum value. It should be read frequently enough to prevent loss of data.

For test purposes, it may be written by setting bit 7 (Write Enable) in the network control register. Setting bit 6 (increment statistics) in the network control register causes all the statistics registers to increment by one, again for test purposes.

Once a statistics register has been read, it is automatically cleared.

Field Name	Bits	Type	Reset Value	Description
reserved	31:10	ro	0x0	Reserved, read as 0, ignored on write.
excessive_collisns	9:0	ro	0x0	Excessive collisions - a 10 bit register counting the number of frames that failed to be transmitted because they experienced 16 collisions.

### Register (GEM) late\_collisns

Name	late_collisns
Software Name	XEMACPS_LATECOLLCNT
Relative Address	0x00000144
Absolute Address	gem0: 0xE000B144 gem1: 0xE000C144
Width	32 bits
Access Type	ro
Reset Value	0x00000000
Description	Late Collisions

#### Register late\_collisns Details

In statistics register block. Is reset to zero on a read and sticks at all ones when it counts to its maximum value. It should be read frequently enough to prevent loss of data.

For test purposes, it may be written by setting bit 7 (Write Enable) in the network control register. Setting bit 6 (increment statistics) in the network control register causes all the statistics registers to increment by one, again for test purposes.

Once a statistics register has been read, it is automatically cleared.

Field Name	Bits	Type	Reset Value	Description
reserved	31:10	ro	0x0	Reserved, read as 0, ignored on write.
late_collisns	9:0	ro	0x0	Late collisions - a 10 bit register counting the number of late collision occurring after the slot time (512 bits) has expired. In 10/100 mode, late collisions are counted twice i.e., both as a collision and a late collision. In gigabit mode, a late collision causes the transmission to be aborted, thus the single and multi collision registers are not updated.

### Register (GEM) deferred\_tx\_frames

Name	deferred_tx_frames
Software Name	XEMACPS_TXDEFERCNT

Relative Address	0x00000148
Absolute Address	gem0: 0xE000B148 gem1: 0xE000C148
Width	32 bits
Access Type	ro
Reset Value	0x00000000
Description	Deferred Transmission Frames

### Register deferred\_tx\_frames Details

In statistics register block. Is reset to zero on a read and stick at all ones when it counts to its maximum value. It should be read frequently enough to prevent loss of data.

For test purposes, it may be written by setting bit 7 (Write Enable) in the network control register. Setting bit 6 (increment statistics) in the network control register causes all the statistics registers to increment by one, again for test purposes.

Once a statistics register has been read, it is automatically cleared.

Field Name	Bits	Type	Reset Value	Description
reserved	31:18	ro	0x0	Reserved, read as 0, ignored on write.
deferred_tx	17:0	ro	0x0	Deferred transmission frames - an 18 bit register counting the number of frames experiencing deferral due to carrier sense being active on their first attempt at transmission. Frames involved in any collision are not counted nor are frames that experienced a transmit under run.

### Register ([GEM](#)) carrier\_sense\_errs

Name	carrier_sense_errs
Software Name	XEMACPS_TXCSENSECNT
Relative Address	0x0000014C
Absolute Address	gem0: 0xE000B14C gem1: 0xE000C14C
Width	32 bits
Access Type	ro
Reset Value	0x00000000
Description	Carrier Sense Errors.

### Register carrier\_sense\_errs Details

In statistics register block. Is reset to zero on a read and sticks at all ones when it counts to its maximum value. It should be read frequently enough to prevent loss of data.

For test purposes, it may be written by setting bit 7 (Write Enable) in the network control register. Setting bit 6 (increment statistics) in the network control register causes all the statistics registers to increment by one, again for test purposes.

Once a statistics register has been read, it is automatically cleared.

Field Name	Bits	Type	Reset Value	Description
reserved	31:10	ro	0x0	Reserved, read as 0, ignored on write.
carrier_sense_errs	9:0	ro	0x0	Carrier sense errors - a 10 bit register counting the number of frames transmitted where carrier sense was not seen during transmission or where carrier sense was deasserted after being asserted in a transmit frame without collision (no under run). Only incremented in half duplex mode. The only effect of a carrier sense error is to increment this register. The behavior of the other statistics registers is unaffected by the detection of a carrier sense error.

### Register ([GEM](#)) octets\_rx\_bot

Name	octets_rx_bot
Software Name	XEMACPS_OCTRXL
Relative Address	0x00000150
Absolute Address	gem0: 0xE000B150 gem1: 0xE000C150
Width	32 bits
Access Type	ro
Reset Value	0x00000000
Description	Octets Received [31:0]

#### Register octets\_rx\_bot Details

Bits 31:0 should be read prior to bits 47:32 to ensure reliable operation. In statistics register block. Is reset to zero on a read and sticks at all ones when it counts to its maximum value. It should be read frequently enough to prevent loss of data.

For test purposes, it may be written by setting bit 7 (Write Enable) in the network control register. Setting bit 6 (increment statistics) in the network control register causes all the statistics registers to increment by one, again for test purposes.

Once a statistics register has been read, it is automatically cleared.

Field Name	Bits	Type	Reset Value	Description
octets_rx_bot	31:0	ro	0x0	Received octets in frame without errors [31:0]. The number of octets received in valid frames of any type. This counter is 48-bits and is read through two registers. This count does not include octets from pause frames, and is only incremented if the frame is successfully filtered and copied to memory.

### Register (GEM) octets\_rx\_top

Name	octets_rx_top
Software Name	XEMACPS_OCTRXH
Relative Address	0x00000154
Absolute Address	gem0: 0xE000B154 gem1: 0xE000C154
Width	32 bits
Access Type	ro
Reset Value	0x00000000
Description	Octets Received [47:32]

#### Register octets\_rx\_top Details

Bits 31:0 should be read prior to bits 47:32 to ensure reliable operation. In statistics register block. Is reset to zero on a read and sticks at all ones when it counts to its maximum value. It should be read frequently enough to prevent loss of data.

For test purposes, it may be written by setting bit 7 (Write Enable) in the network control register. Setting bit 6 (increment statistics) in the network control register causes all the statistics registers to increment by one, again for test purposes.

Once a statistics register has been read, it is automatically cleared.

Field Name	Bits	Type	Reset Value	Description
reserved	31:16	ro	0x0	Reserved, read as 0, ignored on write.
octets_rx_top	15:0	ro	0x0	Received octets in frame without errors [47:32]. The number of octets received in valid frames of any type. This counter is 48-bits and is read through two registers. This count does not include octets from pause frames, and is only incremented if the frame is successfully filtered and copied to memory.

### Register (GEM) frames\_rx

Name	frames_rx
------	-----------

Software Name	XEMACPS_RXCNT
Relative Address	0x00000158
Absolute Address	gem0: 0xE000B158 gem1: 0xE000C158
Width	32 bits
Access Type	ro
Reset Value	0x00000000
Description	Frames Received

### Register frames\_rx Details

Statistical counter for Frames received without an error and exclude pause frames.

NOTES for ALL Statistical registers for Frames Transferred:

The a statistical counter is read by software, it is cleared to zero by the hardware. When a counter reaches its maximum value, it stops counting and is read with all 1s. The statistical counters must be read frequently enough if data loss is to be prevented.

For test purposes, all of the statistical counters may be written to (not just read) by setting bit 7 (wren\_stat\_regs) in the network control register. Also for test purposes, all of the statistical counters can be incremented (by one) by writing a 1 to bit 6 (incr\_stat\_regs) of the network control register.

Field Name	Bits	Type	Reset Value	Description
	31:0	ro	0x0	Frames received without error. A 32 bit register counting the number of frames successfully received. Excludes pause frames, and is only incremented if the frame is successfully filtered and copied to memory.

### Register ([GEM](#)) bdcast\_fames\_rx

Name	bdcast_fames_rx
Software Name	XEMACPS_RXBROADCASTCNT
Relative Address	0x0000015C
Absolute Address	gem0: 0xE000B15C gem1: 0xE000C15C
Width	32 bits
Access Type	ro
Reset Value	0x00000000
Description	Broadcast Frames Rx

### Register bdcast\_fames\_rx Details

Statistical counter for Broadcast Frames received without an error and exclude pause frames. Refer to the FRAMES\_RX register for additional information.



Field Name	Bits	Type	Reset Value	Description
	31:0	ro	0x0	Broadcast frames received without error. A 32 bit register counting the number of broadcast frames successfully received without error. Excludes pause frames, and is only incremented if the frame is successfully filtered and copied to memory.

### Register (GEM) multi\_frames\_rx

Name	multi_frames_rx
Software Name	XEMACPS_RXMULTICNT
Relative Address	0x00000160
Absolute Address	gem0: 0xE000B160 gem1: 0xE000C160
Width	32 bits
Access Type	ro
Reset Value	0x00000000
Description	Multicast Frames Rx

#### Register multi\_frames\_rx Details

Statistical counter for Multicast Frames received without an error and exclude pause frames. Refer to the FRAMES\_RX register for additional information.

Field Name	Bits	Type	Reset Value	Description
	31:0	ro	0x0	Multicast frames received without error. A 32 bit register counting the number of multicast frames successfully received without error. Excludes pause frames, and is only incremented if the frame is successfully filtered and copied to memory.

### Register (GEM) pause\_rx

Name	pause_rx
Software Name	XEMACPS_RXPAUSECNT
Relative Address	0x00000164
Absolute Address	gem0: 0xE000B164 gem1: 0xE000C164
Width	32 bits
Access Type	ro

Reset Value 0x00000000  
 Description Pause Frames Rx

Register pause\_rx Details

Statistical counter for Pause Frames received without an error. Refer to the FRAMES\_RX register for additional information.

Field Name	Bits	Type	Reset Value	Description
reserved	31:16	ro	0x0	Reserved, read as 0, ignored on write.
pause_rx	15:0	ro	0x0	Received pause frames - a 16 bit register counting the number of pause frames received without error.

Register (GEM) frames\_64b\_rx

Name frames\_64b\_rx  
 Software Name XEMACPS\_RX64CNT  
 Relative Address 0x00000168  
 Absolute Address gem0: 0xE000B168  
 gem1: 0xE000C168  
 Width 32 bits  
 Access Type ro  
 Reset Value 0x00000000  
 Description Frames Rx, 64-byte length

Register frames\_64b\_rx Details

Statistical counter for frames of 64 bytes in length that are received without an error and exclude pause frames. Refer to the FRAMES\_RX register for additional information.

Field Name	Bits	Type	Reset Value	Description
	31:0	ro	0x0	64 byte frames received without error. A 32 bit register counting the number of 64 byte frames successfully received without error. Excludes pause frames, and is only incremented if the frame is successfully filtered and copied to memory.

Register (GEM) frames\_65to127b\_rx

Name frames\_65to127b\_rx  
 Software Name XEMACPS\_RX65CNT  
 Relative Address 0x0000016C

Absolute Address gem0: 0xE000B16C  
gem1: 0xE000C16C

Width 32 bits

Access Type ro

Reset Value 0x00000000

Description Frames Rx, 65 to 127-byte length

Register frames\_65to127b\_rx Details

Statistical counter for frames of 65 to 127 bytes in length that are received without an error and exclude pause frames. Refer to the FRAMES\_RX register for additional information.

Field Name	Bits	Type	Reset Value	Description
	31:0	ro	0x0	65 to 127 byte frames received without error. A 32 bit register counting the number of 65 to 127 byte frames successfully received without error. Excludes pause frames, and is only incremented if the frame is successfully filtered and copied to memory.

Register ([GEM](#)) frames\_128to255b\_rx

Name frames\_128to255b\_rx

Software Name XEMACPS\_RX128CNT

Relative Address 0x00000170

Absolute Address gem0: 0xE000B170  
gem1: 0xE000C170

Width 32 bits

Access Type ro

Reset Value 0x00000000

Description Frames Rx, 128 to 255-byte length

Register frames\_128to255b\_rx Details

Statistical counter for frames of 128 to 255 bytes in length that are received without an error and exclude pause frames. Refer to the FRAMES\_RX register for additional information.

Field Name	Bits	Type	Reset Value	Description
	31:0	ro	0x0	128 to 255 byte frames received without error. A 32 bit register counting the number of 128 to 255 byte frames successfully received without error. Excludes pause frames, and is only incremented if the frame is successfully filtered and copied to memory.

### Register (GEM) frames\_256to511b\_rx

Name	frames_256to511b_rx
Software Name	XEMACPS_RX256CNT
Relative Address	0x00000174
Absolute Address	gem0: 0xE000B174 gem1: 0xE000C174
Width	32 bits
Access Type	ro
Reset Value	0x00000000
Description	Frames Rx, 256 to 511-byte length

#### Register frames\_256to511b\_rx Details

Statistical counter for frames of 256 to 511 bytes in length that are received without an error and exclude pause frames. Refer to the FRAMES\_RX register for additional information.

Field Name	Bits	Type	Reset Value	Description
	31:0	ro	0x0	256 to 511 byte frames received without error. A 32 bit register counting the number of 256 to 511 byte frames successfully transmitted without error. Excludes pause frames, and is only incremented if the frame is successfully filtered and copied to memory.

### Register (GEM) frames\_512to1023b\_rx

Name	frames_512to1023b_rx
Software Name	XEMACPS_RX512CNT
Relative Address	0x00000178
Absolute Address	gem0: 0xE000B178 gem1: 0xE000C178
Width	32 bits
Access Type	ro
Reset Value	0x00000000
Description	Frames Rx, 512 to 1023-byte length

#### Register frames\_512to1023b\_rx Details

Statistical counter for frames of 512 to 1023 bytes in length that are received without an error and exclude pause frames. Refer to the FRAMES\_RX register for additional information.

Field Name	Bits	Type	Reset Value	Description
	31:0	ro	0x0	512 to 1023 byte frames received without error. A 32 bit register counting the number of 512 to 1023 byte frames successfully received without error. Excludes pause frames, and is only incremented if the frame is successfully filtered and copied to memory.

### Register (GEM) frames\_1024to1518b\_rx

Name	frames_1024to1518b_rx
Software Name	XEMACPS_RX1024CNT
Relative Address	0x0000017C
Absolute Address	gem0: 0xE000B17C gem1: 0xE000C17C
Width	32 bits
Access Type	ro
Reset Value	0x00000000
Description	Frames Rx, 1024 to 1518-byte length

#### Register frames\_1024to1518b\_rx Details

Statistical counter for frames of 1024 to 1518 bytes in length that are received without an error and exclude pause frames. Refer to the FRAMES\_RX register for additional information.

Field Name	Bits	Type	Reset Value	Description
	31:0	ro	0x0	1024 to 1518 byte frames received without error. A 32 bit register counting the number of 1024 to 1518 byte frames successfully received without error. Excludes pause frames, and is only incremented if the frame is successfully filtered and copied to memory.

### Register (GEM) undersz\_rx

Name	undersz_rx
Software Name	XEMACPS_RXUNDRCNT
Relative Address	0x00000184
Absolute Address	gem0: 0xE000B184 gem1: 0xE000C184
Width	32 bits
Access Type	ro

Reset Value 0x00000000  
 Description Undersize frames received

Register undersz\_rx Details

Field Name	Bits	Type	Reset Value	Description
reserved	31:10	ro	0x0	Reserved, read as 0, ignored on write.
undersz_rx	9:0	ro	0x0	Undersize frames received - a 10 bit register counting the number of frames received less than 64 bytes in length (10/100 mode or gigabit mode, full duplex) that do not have either a CRC error or an alignment error.

Register (GEM) oversz\_rx

Name oversz\_rx  
 Software Name XEMACPS\_RXOVRCNT  
 Relative Address 0x00000188  
 Absolute Address gem0: 0xE000B188  
 gem1: 0xE000C188  
 Width 32 bits  
 Access Type ro  
 Reset Value 0x00000000  
 Description Oversize frames received

Register oversz\_rx Details

Field Name	Bits	Type	Reset Value	Description
reserved	31:10	ro	0x0	Reserved, read as 0, ignored on write.
oversz_rx	9:0	ro	0x0	Oversize frames received - a 10 bit register counting the number of frames received exceeding 1518 bytes (1536 bytes if bit 8 is set in network configuration register) in length but do not have either a CRC error, an alignment error nor a receive symbol error.

Register (GEM) jab\_rx

Name jab\_rx  
 Software Name XEMACPS\_RXJABCNT  
 Relative Address 0x0000018C

Absolute Address      gem0: 0xE000B18C  
                               gem1: 0xE000C18C

Width                    32 bits

Access Type            ro

Reset Value            0x00000000

Description            Jabbers received

Register jab\_rx Details

Field Name	Bits	Type	Reset Value	Description
reserved	31:10	ro	0x0	Reserved, read as 0, ignored on write.
jab_rx	9:0	ro	0x0	Jabbers received - a 10 bit register counting the number of frames received exceeding 1518 bytes (1536 if bit 8 set in network configuration register) in length and have either a CRC error, an alignment error or a receive symbol error.

Register (GEM) fcs\_errors

Name                    fcs\_errors

Software Name        XEMACPS\_RXFCSCNT

Relative Address     0x00000190

Absolute Address    gem0: 0xE000B190  
                               gem1: 0xE000C190

Width                   32 bits

Access Type           ro

Reset Value           0x00000000

Description           Frame check sequence errors

Register fcs\_errors Details

Field Name	Bits	Type	Reset Value	Description
reserved	31:10	ro	0x0	Reserved, read as 0, ignored on write.
fcs_errors	9:0	ro	0x0	Frame check sequence errors - a 10 bit register counting frames that are an integral number of bytes, have bad CRC and are between 64 and 1518 bytes in length. This register is also incremented if a symbol error is detected and the frame is of valid length and has an integral number of bytes. This register is incremented for a frame with bad FCS, regardless of whether it is copied to memory due to ignore FCS mode being enabled in bit 26 of the network configuration register.H524

Register ([GEM](#)) length\_field\_errors

Name	length_field_errors
Software Name	XEMACPS_RXLENGTHCNT
Relative Address	0x00000194
Absolute Address	gem0: 0xE000B194 gem1: 0xE000C194
Width	32 bits
Access Type	ro
Reset Value	0x00000000
Description	Length field frame errors

Register length\_field\_errors Details

Field Name	Bits	Type	Reset Value	Description
reserved	31:10	ro	0x0	Reserved, read as 0, ignored on write.
length_field_errors	9:0	ro	0x0	Length field frame errors - this 10-bit register counts the number of frames received that have a measured length shorter than that extracted from the length field (bytes 13 and 14). This condition is only counted if the value of the length field is less than 0x0600, the frame is not of excessive length and checking is enabled through bit 16 of the network configuration register.

Register ([GEM](#)) rx\_symbol\_errors

Name	rx_symbol_errors
Software Name	XEMACPS_RXSYMBCNT
Relative Address	0x00000198
Absolute Address	gem0: 0xE000B198 gem1: 0xE000C198
Width	32 bits
Access Type	ro
Reset Value	0x00000000
Description	Receive symbol errors



Register rx\_symbol\_errors Details

Field Name	Bits	Type	Reset Value	Description
reserved	31:10	ro	0x0	Reserved, read as 0, ignored on write.
rx_symbol_errors	9:0	ro	0x0	Receive symbol errors - a 10-bit register counting the number of frames that had rx_er asserted during reception. For 10/100 mode symbol errors are counted regardless of frame length checks. For gigabit mode the frame must satisfy slot time requirements in order to count a symbol error.

Register (GEM) align\_errors

Name	align_errors
Software Name	XEMACPS_RXALIGNCNT
Relative Address	0x0000019C
Absolute Address	gem0: 0xE000B19C gem1: 0xE000C19C
Width	32 bits
Access Type	ro
Reset Value	0x00000000
Description	Alignment errors

Register align\_errors Details

Field Name	Bits	Type	Reset Value	Description
reserved	31:10	ro	0x0	Reserved, read as 0, ignored on write.
align_errors	9:0	ro	0x0	Alignment errors - a 10 bit register counting frames that are not an integral number of bytes long and have bad CRC when their length is truncated to an integral number of bytes and are between 64 and 1518 bytes in length. This register is also incremented if a symbol error is detected and the frame is of valid length and does not have an integral number of bytes.

Register (GEM) rx\_resource\_errors

Name	rx_resource_errors
Software Name	XEMACPS_RXRESERRCNT
Relative Address	0x000001A0
Absolute Address	gem0: 0xE000B1A0 gem1: 0xE000C1A0

Width 32 bits  
 Access Type ro  
 Reset Value 0x00000000  
 Description Receive resource errors

Register rx\_resource\_errors Details

Field Name	Bits	Type	Reset Value	Description
reserved	31:18	ro	0x0	Reserved, read as 0, ignored on write.
rx_resource_errors	17:0	ro	0x0	Receive resource errors - an 18 bit register counting the number of frames that were successfully received by the MAC (correct address matched frame and adequate slot time) but could not be copied to memory because no receive buffer was available. This will be either because the AHB bus was not granted in time or because a hresp not OK was returned.

Register (GEM) rx\_overrun\_errors

Name rx\_overrun\_errors  
 Software Name XEMACPS\_RXORCNT  
 Relative Address 0x000001A4  
 Absolute Address gem0: 0xE000B1A4  
 gem1: 0xE000C1A4  
 Width 32 bits  
 Access Type ro  
 Reset Value 0x00000000  
 Description Receive overrun errors

Register rx\_overrun\_errors Details

Field Name	Bits	Type	Reset Value	Description
reserved	31:10	ro	0x0	Reserved, read as 0, ignored on write.
rx_overrun_errors	9:0	ro	0x0	Receive overruns - a 10 bit register counting the number of frames that are address recognized but were not copied to memory due to a receive overrun.

Register (GEM) ip\_hdr\_csum\_errors

Name ip\_hdr\_csum\_errors

Software Name XEMACPS\_RXIPCCNT  
 Relative Address 0x000001A8  
 Absolute Address gem0: 0xE000B1A8  
 gem1: 0xE000C1A8  
 Width 32 bits  
 Access Type ro  
 Reset Value 0x00000000  
 Description IP header checksum errors

Register ip\_hdr\_csum\_errors Details

Field Name	Bits	Type	Reset Value	Description
reserved	31:8	ro	0x0	Reserved, read as 0, ignored on write.
ip_hdr_csum_errors	7:0	ro	0x0	0 IP header checksum errors - an 8-bit register counting the number of frames discarded due to an incorrect IP header checksum, but are between 64 and 1518 bytes and do not have a CRC error, an alignment error, nor a symbol error.

Register (GEM) tcp\_csum\_errors

Name tcp\_csum\_errors  
 Software Name XEMACPS\_RXTCPCCNT  
 Relative Address 0x000001AC  
 Absolute Address gem0: 0xE000B1AC  
 gem1: 0xE000C1AC  
 Width 32 bits  
 Access Type ro  
 Reset Value 0x00000000  
 Description TCP checksum errors

Register tcp\_csum\_errors Details

Field Name	Bits	Type	Reset Value	Description
reserved	31:8	ro	0x0	Reserved, read as 0, ignored on write.
tcp_csum_errors	7:0	ro	0x0	TCP checksum errors - an 8-bit register counting the number of frames discarded due to an incorrect TCP checksum, but are between 64 and 1518 bytes and do not have a CRC error, an alignment error, nor a symbol error.

### Register (GEM) udp\_csum\_errors

Name	udp_csum_errors
Software Name	XEMACPS_RXUDPCCNT
Relative Address	0x000001B0
Absolute Address	gem0: 0xE000B1B0 gem1: 0xE000C1B0
Width	32 bits
Access Type	ro
Reset Value	0x00000000
Description	UDP checksum error

#### Register udp\_csum\_errors Details

Field Name	Bits	Type	Reset Value	Description
reserved	31:8	ro	0x0	Reserved, read as 0, ignored on write.
udp_csum_errors	7:0	ro	0x0	UDP checksum errors - an 8-bit register counting the number of frames discarded due to an incorrect UDP checksum, but are between 64 and 1518 bytes and do not have a CRC error, an alignment error, nor a symbol error.

### Register (GEM) timer\_strobe\_s

Name	timer_strobe_s
Relative Address	0x000001C8
Absolute Address	gem0: 0xE000B1C8 gem1: 0xE000C1C8
Width	32 bits
Access Type	rw
Reset Value	0x00000000
Description	1588 timer sync strobe seconds

#### Register timer\_strobe\_s Details

Field Name	Bits	Type	Reset Value	Description
	31:0	rw	0x0	The value of the Timer Seconds register captured when gem_tsu_ms and gem_tsu_inc_ctrl are zero.

### Register (GEM) timer\_strobe\_ns

Name	timer_strobe_ns
Relative Address	0x000001CC
Absolute Address	gem0: 0xE000B1CC gem1: 0xE000C1CC
Width	32 bits
Access Type	mixed
Reset Value	0x00000000
Description	1588 timer sync strobe nanoseconds

#### Register timer\_strobe\_ns Details

Field Name	Bits	Type	Reset Value	Description
reserved	31:30	ro	0x0	Reserved, read as 0, ignored on write.
ns_reg_val	29:0	rw	0x0	The value of the Timer Nanoseconds register captured when gem_tsu_ms and gem_tsu_inc_ctrl are zero.

### Register (GEM) timer\_s

Name	timer_s
Software Name	XEMACPS_1588_SEC
Relative Address	0x000001D0
Absolute Address	gem0: 0xE000B1D0 gem1: 0xE000C1D0
Width	32 bits
Access Type	rw
Reset Value	0x00000000
Description	1588 timer seconds

#### Register timer\_s Details

Field Name	Bits	Type	Reset Value	Description
	31:0	rw	0x0	Timer count in seconds. This register is writeable. It increments by one when the 1588 nanoseconds counter counts to one second. It may also be incremented when the timer adjust register is written.

### Register (GEM) timer\_ns

Name	timer_ns
Software Name	XEMACPS_1588_NANOSEC
Relative Address	0x000001D4
Absolute Address	gem0: 0xE000B1D4 gem1: 0xE000C1D4
Width	32 bits
Access Type	mixed
Reset Value	0x00000000
Description	1588 timer nanoseconds

#### Register timer\_ns Details

Field Name	Bits	Type	Reset Value	Description
reserved	31:30	ro	0x0	Reserved, read as 0, ignored on write.
timer_ct_ns	29:0	rw	0x0	Timer count in nanoseconds. This register is writeable. It can also be adjusted by writes to the 1588 timer adjust register. It increments by the value of the 1588 timer increment register each clock cycle.

### Register (GEM) timer\_adjust

Name	timer_adjust
Software Name	XEMACPS_1588_ADJ
Relative Address	0x000001D8
Absolute Address	gem0: 0xE000B1D8 gem1: 0xE000C1D8
Width	32 bits
Access Type	mixed
Reset Value	0x00000000
Description	1588 timer adjust

#### Register timer\_adjust Details

Field Name	Bits	Type	Reset Value	Description
add_subn	31	wo	0x0	Write as one to subtract from the 1588 timer. Write as zero to add to it.

Field Name	Bits	Type	Reset Value	Description
reserved	30	ro	0x0	Reserved, read as 0, ignored on write.
ns_delta	29:0	wo	0x0	The number of nanoseconds to increment or decrement the 1588 timer nanoseconds register. If necessary, the 1588 seconds register will be incremented or decremented.

### Register (GEM) timer\_incr

Name	timer_incr
Software Name	XEMACPS_1588_INC
Relative Address	0x000001DC
Absolute Address	gem0: 0xE000B1DC gem1: 0xE000C1DC
Width	32 bits
Access Type	mixed
Reset Value	0x00000000
Description	1588 timer increment

#### Register timer\_incr Details

Field Name	Bits	Type	Reset Value	Description
reserved	31:24	ro	0x0	Reserved, read as 0, ignored on write.
incr_b4_alt	23:16	rw	0x0	The number of increments after which the alternative increment is used.
alt_ct_ns_delta	15:8	rw	0x0	Alternative count of nanoseconds by which the 1588 timer nanoseconds register will be incremented each clock cycle.
ns_delta	7:0	rw	0x0	A count of nanoseconds by which the 1588 timer nanoseconds register will be incremented each clock cycle.

### Register (GEM) ptp\_tx\_s

Name	ptp_tx_s
Software Name	XEMACPS_PTP_TXSEC
Relative Address	0x000001E0
Absolute Address	gem0: 0xE000B1E0 gem1: 0xE000C1E0
Width	32 bits

Access Type ro  
 Reset Value 0x00000000  
 Description PTP event frame transmitted seconds

Register ptp\_tx\_s Details

Field Name	Bits	Type	Reset Value	Description
	31:0	ro	0x0	The register is updated with the value that the 1588 timer seconds register held when the SFD of a PTP transmit primary event crosses the MII interface. The actual update occurs when the GEM recognizes the frame as a PTP sync or delay_req frame. An interrupt is issued when the register is updated.

Register (GEM) ptp\_tx\_ns

Name ptp\_tx\_ns  
 Software Name XEMACPS\_PTP\_TXNANOSEC  
 Relative Address 0x000001E4  
 Absolute Address gem0: 0xE000B1E4  
 gem1: 0xE000C1E4  
 Width 32 bits  
 Access Type ro  
 Reset Value 0x00000000  
 Description PTP event frame transmitted nanoseconds

Register ptp\_tx\_ns Details

Field Name	Bits	Type	Reset Value	Description
reserved	31:30	ro	0x0	Reserved, read as 0, ignored on write.
ns_reg_val	29:0	ro	0x0	The register is updated with the value that the 1588 timer nanoseconds register held when the SFD of a PTP transmit primary event crosses the MII interface. The actual update occurs when the GEM recognizes the frame as a PTP sync or delay_req frame. An interrupt is issued when the register is updated.

Register (GEM) ptp\_rx\_s

Name ptp\_rx\_s  
 Software Name XEMACPS\_PTP\_RXSEC



Relative Address 0x000001E8  
 Absolute Address gem0: 0xE000B1E8  
 gem1: 0xE000C1E8  
 Width 32 bits  
 Access Type ro  
 Reset Value 0x00000000  
 Description PTP event frame received seconds

Register ptp\_rx\_s Details

Field Name	Bits	Type	Reset Value	Description
	31:0	ro	0x0	The register is updated with the value that the 1588 timer seconds register held when the SFD of a PTP receive primary event crosses the MII interface. The actual update occurs when the GEM recognizes the frame as a PTP sync or delay_req frame. An interrupt is issued when the register is updated.

Register (GEM) ptp\_rx\_ns

Name ptp\_rx\_ns  
 Software Name XEMACPS\_PTP\_RXNANOSEC  
 Relative Address 0x000001EC  
 Absolute Address gem0: 0xE000B1EC  
 gem1: 0xE000C1EC  
 Width 32 bits  
 Access Type ro  
 Reset Value 0x00000000  
 Description PTP event frame received nanoseconds.

Register ptp\_rx\_ns Details

Field Name	Bits	Type	Reset Value	Description
reserved	31:30	ro	0x0	Reserved, read as 0, ignored on write.
ns_reg_val	29:0	ro	0x0	The register is updated with the value that the 1588 timer nanoseconds register held when the SFD of a PTP receive primary event crosses the MII interface. The actual update occurs when the GEM recognizes the frame as a PTP sync or delay_req frame. An interrupt is issued when the register is updated.

### Register (GEM) ptp\_peer\_tx\_s

Name	ptp_peer_tx_s
Software Name	XEMACPS_PTPP_TXSEC
Relative Address	0x000001F0
Absolute Address	gem0: 0xE000B1F0 gem1: 0xE000C1F0
Width	32 bits
Access Type	ro
Reset Value	0x00000000
Description	PTP peer event frame transmitted seconds

#### Register ptp\_peer\_tx\_s Details

Field Name	Bits	Type	Reset Value	Description
	31:0	ro	0x0	The register is updated with the value that the 1588 timer seconds register held when the SFD of a PTP transmit peer event crosses the MII interface. The actual update occurs when the GEM recognizes the frame as a PTP pdealy_req or pdelay_resp frame. An interrupt is issued when the register is updated.

### Register (GEM) ptp\_peer\_tx\_ns

Name	ptp_peer_tx_ns
Software Name	XEMACPS_PTPP_TXNANOSEC
Relative Address	0x000001F4
Absolute Address	gem0: 0xE000B1F4 gem1: 0xE000C1F4
Width	32 bits
Access Type	ro
Reset Value	0x00000000
Description	PTP peer event frame transmitted nanoseconds

Register ptp\_peer\_tx\_ns Details

Field Name	Bits	Type	Reset Value	Description
reserved	31:30	ro	0x0	Reserved, read as 0, ignored on write.
ns_reg_val	29:0	ro	0x0	The register is updated with the value that the 1588 timer nanoseconds register held when the SFD of a PTP transmit peer event crosses the MII interface. The actual update occurs when the GEM recognizes the frame as a PTP pdelay_req or pdelay_resp frame. An interrupt is issued when the register is updated.

Register (GEM) ptp\_peer\_rx\_s

Name	ptp_peer_rx_s
Software Name	XEMACPS_PTPP_RXSEC
Relative Address	0x000001F8
Absolute Address	gem0: 0xE000B1F8 gem1: 0xE000C1F8
Width	32 bits
Access Type	ro
Reset Value	0x00000000
Description	PTP peer event frame received seconds

Register ptp\_peer\_rx\_s Details

Field Name	Bits	Type	Reset Value	Description
	31:0	ro	0x0	The register is updated with the value that the 1588 timer seconds register held when the SFD of a PTP receive peer event crosses the MII interface. The actual update occurs when the GEM recognizes the frame as a PTP pdelay_req or pdelay_resp frame. An interrupt is issued when the register is updated.

Register (GEM) ptp\_peer\_rx\_ns

Name	ptp_peer_rx_ns
Software Name	XEMACPS_PTPP_RXNANOSEC
Relative Address	0x000001FC
Absolute Address	gem0: 0xE000B1FC gem1: 0xE000C1FC
Width	32 bits

Access Type                ro  
 Reset Value                0x00000000  
 Description                PTP peer event frame received nanoseconds.

Register ptp\_peer\_rx\_ns Details

Field Name	Bits	Type	Reset Value	Description
reserved	31:30	ro	0x0	Reserved, read as 0, ignored on write.
ns_reg_val	29:0	ro	0x0	The register is updated with the value that the 1588 timer nanoseconds register held when the SFD of a PTP receive peer event crosses the MII interface. The actual update occurs when the GEM recognizes the frame as a PTP pdelay_req or pdelay_resp frame. An interrupt is issued when the register is updated.

Register ([GEM](#)) design\_cfg2

Name                        design\_cfg2  
 Relative Address            0x00000284  
 Absolute Address            gem0: 0xE000B284  
                                   gem1: 0xE000C284  
 Width                        32 bits  
 Access Type                ro  
 Reset Value                x  
 Description                Design Configuration 2

Register design\_cfg2 Details

Field Name	Bits	Type	Reset Value	Description
reserved	31:30	ro	x	Reserved. Set to zero.
gem_tx_pbuf_addr	29:26	ro	0xA	Takes the value of the `gem_tx_pbuf_addr` DEFINE. Max address bits for Tx packet buffer (10-bits for maximum 4 kB buffer). Buffer size for Tx packet buffer mode will be 4kB.  This will allow one standard packet to be received while another is transferred to system memory by the DMA interface.

Field Name	Bits	Type	Reset Value	Description
gem_rx_pbuf_addr	25:22	ro	0xA	Takes the value of the `gem_rx_pbuf_addr` DEFINE. Max address bits for Rx packet buffer (10-bits for maximum 4 kB buffer). Buffer size for Rx packet buffer mode will be 4kB. This will allow one standard packet to be received while another is transferred to system memory by the DMA interface.
gem_tx_pkt_buffer	21	ro	x	Takes the value of the `gem_tx_pkt_buffer` DEFINE. Defined for Zynq. Includes the transmitter packet buffer
gem_rx_pkt_buffer	20	ro	x	Takes the value of the `gem_rx_pkt_buffer` DEFINE. Defined for Zynq. Includes the receiver packet buffer.
gem_hprot_value	19:16	ro	0x1	Takes the value of the `gem_hprot_value` DEFINE. For Zynq, set the fixed AHB HPROT value used during transfers.
gem_jumbo_max_length	15:0	ro	0x3FFF	Takes the value of the `gem_jumbo_max_length` DEFINE. Maximum length of jumbo frames accepted by receiver. This is set to the size of the smallest of the two packet buffer, minus a margin for packet headers. However, Zynq will not support jumbo frames.

### Register ([GEM](#)) design\_cfg3

Name	design_cfg3
Relative Address	0x0000288
Absolute Address	gem0: 0xE000B288 gem1: 0xE000C288
Width	32 bits
Access Type	ro
Reset Value	0x00000000
Description	Design Configuration 3

#### Register design\_cfg3 Details

Field Name	Bits	Type	Reset Value	Description
gem_rx_base2_fifo_size	31:16	ro	0x0	Takes the value of the `gem_rx_base2_fifo_size` DEFINE. Base-2 equivalent of `gem_rx_fifo_size`
gem_rx_fifo_size	15:0	ro	0x0	Takes the value of the `gem_rx_fifo_size` DEFINE. Set the size of the small Rx FIFO for grant latency. Extended to 16 deep to allow buffering of 64 byte maximum AHB burst size in Zynq.

Register ([GEM](#)) design\_cfg4

Name	design_cfg4
Relative Address	0x0000028C
Absolute Address	gem0: 0xE000B28C gem1: 0xE000C28C
Width	32 bits
Access Type	ro
Reset Value	0x00000000
Description	Design Configuration 4

Register design\_cfg4 Details

Field Name	Bits	Type	Reset Value	Description
gem_tx_base2_fifo_size	31:16	ro	0x0	Takes the value of the `gem_tx_base2_fifo_size` DEFINE. Base-2 equivalent of `gem_tx_fifo_size`.
gem_tx_fifo_size	15:0	ro	0x0	Takes the value of the `gem_tx_fifo_size` DEFINE. Set the size of the small TX FIFO for grant latency

Register ([GEM](#)) design\_cfg5

Name	design_cfg5
Relative Address	0x00000290
Absolute Address	gem0: 0xE000B290 gem1: 0xE000C290
Width	32 bits
Access Type	ro
Reset Value	x
Description	Design Configuration 5

Register design\_cfg5 Details

Field Name	Bits	Type	Reset Value	Description
reserved	31:29	ro	x	Reserved. Set to zero.
gem_tsu_clk	28	ro	x	Takes the value of the `gem_tsu_clk` DEFINE. Undefined in Zynq. 1588 Time Stamp Unit clock sourced from pclk rather than independent tsu_clk.
gem_rx_buffer_length_def	27:20	ro	0x2	Takes the value of the `gem_rx_buffer_length_def` DEFINE. Set the default buffer length used by Rx DMA to 128 bytes.

Field Name	Bits	Type	Reset Value	Description
gem_tx_pbuf_size_def	19	ro	0x1	Takes the value of the `gem_tx_pbuf_size_def` DEFINE. Full 4 kB Tx packet buffer size - dedicated memory resource in Zynq.
gem_rx_pbuf_size_def	18:17	ro	0x3	Takes the value of the `gem_rx_pbuf_size_def` DEFINE. Full 4 kB Rx packet buffer size - dedicated memory resource in Zynq.
gem_endian_swap_def	16:15	ro	0x2	Takes the value of the `gem_endian_swap_def` DEFINE. Set to big endian data, little endian management descriptors in Zynq.
gem_mdc_clock_div	14:12	ro	0x2	Takes the value of the `gem_mdc_clock_div` DEFINE. Set default MDC clock divisor (can still be programmed) in Zynq.
gem_dma_bus_width	11:10	ro	0x0	Takes the value of the `gem_dma_bus_width_def` DEFINE. Limit to 32-bit AHB bus in Zynq.
gem_phy_ident	9	ro	x	Takes the value of the `gem_phy_ident` DEFINE. Undefined in Zynq. Only used in PCS.
gem_tsu	8	ro	x	Takes the value of the `gem_tsu` DEFINE. Defined in Zynq. Include support for 1588 Time Stamp Unit.
gem_tx_fifo_cnt_width	7:4	ro	0x4	Takes the value of the `gem_tx_fifo_cnt_width` DEFINE. Width for `gem_tx_fifo_size`
gem_rx_fifo_cnt_width	3:0	ro	0x5	Takes the value of the `gem_rx_fifo_cnt_width` DEFINE. Width for `gem_rx_fifo_size`.

## B.19 General Purpose I/O (gpio)

Module Name	General Purpose I/O (gpio)
Software Name	XGPIOPS
Base Address	0xE000A000 gpio
Description	General Purpose Input / Output
Vendor Info	

### Register Summary

Register Name	Address	Width	Type	Reset Value	Description
<a href="#">MASK_DATA_0_LSW</a>	0x00000000	32	mixed	x	Maskable Output Data (GPIO Bank0, MIO, Lower 16bits)
<a href="#">MASK_DATA_0_MSW</a>	0x00000004	32	mixed	x	Maskable Output Data (GPIO Bank0, MIO, Upper 16bits)
<a href="#">MASK_DATA_1_LSW</a>	0x00000008	32	mixed	x	Maskable Output Data (GPIO Bank1, MIO, Lower 16bits)
<a href="#">MASK_DATA_1_MSW</a>	0x0000000C	22	mixed	x	Maskable Output Data (GPIO Bank1, MIO, Upper 6bits)
<a href="#">MASK_DATA_2_LSW</a>	0x00000010	32	mixed	0x00000000	Maskable Output Data (GPIO Bank2, EMIO, Lower 16bits)
<a href="#">MASK_DATA_2_MSW</a>	0x00000014	32	mixed	0x00000000	Maskable Output Data (GPIO Bank2, EMIO, Upper 16bits)
<a href="#">MASK_DATA_3_LSW</a>	0x00000018	32	mixed	0x00000000	Maskable Output Data (GPIO Bank3, EMIO, Lower 16bits)
<a href="#">MASK_DATA_3_MSW</a>	0x0000001C	32	mixed	0x00000000	Maskable Output Data (GPIO Bank3, EMIO, Upper 16bits)
<a href="#">DATA_0</a>	0x00000040	32	rw	x	Output Data (GPIO Bank0, MIO)
<a href="#">DATA_1</a>	0x00000044	22	rw	x	Output Data (GPIO Bank1, MIO)
<a href="#">DATA_2</a>	0x00000048	32	rw	0x00000000	Output Data (GPIO Bank2, EMIO)
<a href="#">DATA_3</a>	0x0000004C	32	rw	0x00000000	Output Data (GPIO Bank3, EMIO)
<a href="#">DATA_0_RO</a>	0x00000060	32	ro	x	Input Data (GPIO Bank0, MIO)
<a href="#">DATA_1_RO</a>	0x00000064	22	ro	x	Input Data (GPIO Bank1, MIO)
<a href="#">DATA_2_RO</a>	0x00000068	32	ro	0x00000000	Input Data (GPIO Bank2, EMIO)
<a href="#">DATA_3_RO</a>	0x0000006C	32	ro	0x00000000	Input Data (GPIO Bank3, EMIO)



Register Name	Address	Width	Type	Reset Value	Description
<a href="#">DIRM_0</a>	0x00000204	32	rw	0x00000000	Direction mode (GPIO Bank0, MIO)
<a href="#">OEN_0</a>	0x00000208	32	rw	0x00000000	Output enable (GPIO Bank0, MIO)
<a href="#">INT_MASK_0</a>	0x0000020C	32	ro	0x00000000	Interrupt Mask Status (GPIO Bank0, MIO)
<a href="#">INT_EN_0</a>	0x00000210	32	wo	0x00000000	Interrupt Enable/Unmask (GPIO Bank0, MIO)
<a href="#">INT_DIS_0</a>	0x00000214	32	wo	0x00000000	Interrupt Disable/Mask (GPIO Bank0, MIO)
<a href="#">INT_STAT_0</a>	0x00000218	32	wtc	0x00000000	Interrupt Status (GPIO Bank0, MIO)
<a href="#">INT_TYPE_0</a>	0x0000021C	32	rw	0xFFFFFFFF	Interrupt Type (GPIO Bank0, MIO)
<a href="#">INT_POLARITY_0</a>	0x00000220	32	rw	0x00000000	Interrupt Polarity (GPIO Bank0, MIO)
<a href="#">INT_ANY_0</a>	0x00000224	32	rw	0x00000000	Interrupt Any Edge Sensitive (GPIO Bank0, MIO)
<a href="#">DIRM_1</a>	0x00000244	22	rw	0x00000000	Direction mode (GPIO Bank1, MIO)
<a href="#">OEN_1</a>	0x00000248	22	rw	0x00000000	Output enable (GPIO Bank1, MIO)
<a href="#">INT_MASK_1</a>	0x0000024C	22	ro	0x00000000	Interrupt Mask Status (GPIO Bank1, MIO)
<a href="#">INT_EN_1</a>	0x00000250	22	wo	0x00000000	Interrupt Enable/Unmask (GPIO Bank1, MIO)
<a href="#">INT_DIS_1</a>	0x00000254	22	wo	0x00000000	Interrupt Disable/Mask (GPIO Bank1, MIO)
<a href="#">INT_STAT_1</a>	0x00000258	22	wtc	0x00000000	Interrupt Status (GPIO Bank1, MIO)
<a href="#">INT_TYPE_1</a>	0x0000025C	22	rw	0x003FFFFFFF	Interrupt Type (GPIO Bank1, MIO)
<a href="#">INT_POLARITY_1</a>	0x00000260	22	rw	0x00000000	Interrupt Polarity (GPIO Bank1, MIO)
<a href="#">INT_ANY_1</a>	0x00000264	22	rw	0x00000000	Interrupt Any Edge Sensitive (GPIO Bank1, MIO)
<a href="#">DIRM_2</a>	0x00000284	32	rw	0x00000000	Direction mode (GPIO Bank2, EMIO)
<a href="#">OEN_2</a>	0x00000288	32	rw	0x00000000	Output enable (GPIO Bank2, EMIO)

Register Name	Address	Width	Type	Reset Value	Description
<a href="#">INT_MASK_2</a>	0x0000028C	32	ro	0x00000000	Interrupt Mask Status (GPIO Bank2, EMIO)
<a href="#">INT_EN_2</a>	0x00000290	32	wo	0x00000000	Interrupt Enable/Unmask (GPIO Bank2, EMIO)
<a href="#">INT_DIS_2</a>	0x00000294	32	wo	0x00000000	Interrupt Disable/Mask (GPIO Bank2, EMIO)
<a href="#">INT_STAT_2</a>	0x00000298	32	wtc	0x00000000	Interrupt Status (GPIO Bank2, EMIO)
<a href="#">INT_TYPE_2</a>	0x0000029C	32	rw	0xFFFFFFFF	Interrupt Type (GPIO Bank2, EMIO)
<a href="#">INT_POLARITY_2</a>	0x000002A0	32	rw	0x00000000	Interrupt Polarity (GPIO Bank2, EMIO)
<a href="#">INT_ANY_2</a>	0x000002A4	32	rw	0x00000000	Interrupt Any Edge Sensitive (GPIO Bank2, EMIO)
<a href="#">DIRM_3</a>	0x000002C4	32	rw	0x00000000	Direction mode (GPIO Bank3, EMIO)
<a href="#">OEN_3</a>	0x000002C8	32	rw	0x00000000	Output enable (GPIO Bank3, EMIO)
<a href="#">INT_MASK_3</a>	0x000002CC	32	ro	0x00000000	Interrupt Mask Status (GPIO Bank3, EMIO)
<a href="#">INT_EN_3</a>	0x000002D0	32	wo	0x00000000	Interrupt Enable/Unmask (GPIO Bank3, EMIO)
<a href="#">INT_DIS_3</a>	0x000002D4	32	wo	0x00000000	Interrupt Disable/Mask (GPIO Bank3, EMIO)
<a href="#">INT_STAT_3</a>	0x000002D8	32	wtc	0x00000000	Interrupt Status (GPIO Bank3, EMIO)
<a href="#">INT_TYPE_3</a>	0x000002DC	32	rw	0xFFFFFFFF	Interrupt Type (GPIO Bank3, EMIO)
<a href="#">INT_POLARITY_3</a>	0x000002E0	32	rw	0x00000000	Interrupt Polarity (GPIO Bank3, EMIO)
<a href="#">INT_ANY_3</a>	0x000002E4	32	rw	0x00000000	Interrupt Any Edge Sensitive (GPIO Bank3, EMIO)

### Register ([gpio](#)) MASK\_DATA\_0\_LSW

Name	MASK_DATA_0_LSW
Software Name	DATA_LSW
Relative Address	0x00000000
Absolute Address	0xE000A000
Width	32 bits

Access Type	mixed
Reset Value	x
Description	Maskable Output Data (GPIO Bank0, MIO, Lower 16bits)

**Register MASK\_DATA\_0\_LSW Details**

This register enables software to change the value being output on up to 16bits at one time selectively. Only data values with a corresponding deasserted mask bit will be changed. Output data values are unchanged and hold their previous value for bits which are masked. This register avoids the need for a read-modify-write sequence for unchanged bits.

NOTE: This register does not affect the enabling of the output driver. See the DIRM\_0 and OEN\_0 registers.

This register controls the output values for the lower 16bits of bank0, which corresponds to MIO[15:0].

Field Name	Bits	Type	Reset Value	Description
MASK_0_LSW	31:16	wo	0x0	On a write, only bits with a corresponding deasserted mask will change the output value. 0: pin value is updated 1: pin is masked Each bit controls the corresponding pin within the 16-bit half-bank. Reads return 0's.
DATA_0_LSW	15:0	rw	x	On a write, these are the data values for the corresponding GPIO output bits. Each bit controls the corresponding pin within the 16-bit half-bank. Reads return the previous value written to this register or DATA_0[15:0]. Reads do not return the value on the GPIO pin.

**Register ([gpio](#)) MASK\_DATA\_0\_MSW**

Name	MASK_DATA_0_MSW
Software Name	DATA_MSW
Relative Address	0x00000004
Absolute Address	0xE000A004
Width	32 bits
Access Type	mixed
Reset Value	x
Description	Maskable Output Data (GPIO Bank0, MIO, Upper 16bits)

**Register MASK\_DATA\_0\_MSW Details**

This register operates in exactly the same manner as MASK\_DATA\_0\_LSW, except that it controls the upper 16bits of bank0, which corresponds to MIO[31:16].

Field Name	Bits	Type	Reset Value	Description
MASK_0_MSW	31:16	wo	0x0	Operation is the same as MASK_DATA_0_LSW[MASK_0_LSW]
DATA_0_MSW	15:0	rw	x	Operation is the same as MASK_DATA_0_LSW[DATA_0_LSW]

### Register ([gpio](#)) MASK\_DATA\_1\_LSW

Name	MASK_DATA_1_LSW
Relative Address	0x00000008
Absolute Address	0xE000A008
Width	32 bits
Access Type	mixed
Reset Value	x
Description	Maskable Output Data (GPIO Bank1, MIO, Lower 16bits)

#### Register MASK\_DATA\_1\_LSW Details

This register operates in exactly the same manner as MASK\_DATA\_0\_LSW, except that it controls the lower 16bits of bank1, which corresponds to MIO[47:32].

Field Name	Bits	Type	Reset Value	Description
MASK_1_LSW	31:16	wo	0x0	Operation is the same as MASK_DATA_0_LSW[MASK_0_LSW]
DATA_1_LSW	15:0	rw	x	Operation is the same as MASK_DATA_0_LSW[DATA_0_LSW]

### Register ([gpio](#)) MASK\_DATA\_1\_MSW

Name	MASK_DATA_1_MSW
Relative Address	0x0000000C
Absolute Address	0xE000A00C
Width	22 bits
Access Type	mixed
Reset Value	x
Description	Maskable Output Data (GPIO Bank1, MIO, Upper 6bits)

#### Register MASK\_DATA\_1\_MSW Details

This register operates in exactly the same manner as MASK\_DATA\_0\_LSW, except that it controls the upper 6bits of bank1, which corresponds to MIO[53:48].

NOTE: This register does not control a full 16bits because the MIO unit itself is limited to 54 pins.

Field Name	Bits	Type	Reset Value	Description
MASK_1_MSW	21:16	wo	0x0	Operation is the same as MASK_DATA_0_LSW[MASK_0_LSW]
reserved	15:6	rw	0x0	Not used, read back as zero
DATA_1_MSW	5:0	rw	x	Operation is the same as MASK_DATA_0_LSW[DATA_0_LSW]

### Register ([gpio](#)) MASK\_DATA\_2\_LSW

Name	MASK_DATA_2_LSW
Relative Address	0x00000010
Absolute Address	0xE000A010
Width	32 bits
Access Type	mixed
Reset Value	0x00000000
Description	Maskable Output Data (GPIO Bank2, EMIO, Lower 16bits)

#### Register MASK\_DATA\_2\_LSW Details

This register operates in exactly the same manner as MASK\_DATA\_0\_LSW, except that it controls the lower 16bits of bank2, which corresponds to EMIO[15:0].

Field Name	Bits	Type	Reset Value	Description
MASK_2_LSW	31:16	wo	0x0	Operation is the same as MASK_DATA_0_LSW[MASK_0_LSW]
DATA_2_LSW	15:0	rw	0x0	Operation is the same as MASK_DATA_0_LSW[DATA_0_LSW]

### Register ([gpio](#)) MASK\_DATA\_2\_MSW

Name	MASK_DATA_2_MSW
Relative Address	0x00000014
Absolute Address	0xE000A014
Width	32 bits
Access Type	mixed
Reset Value	0x00000000
Description	Maskable Output Data (GPIO Bank2, EMIO, Upper 16bits)

#### Register MASK\_DATA\_2\_MSW Details

This register operates in exactly the same manner as MASK\_DATA\_0\_LSW, except that it controls the upper 16bits of bank2, which corresponds to EMIO[31:16].

Field Name	Bits	Type	Reset Value	Description
MASK_2_MSW	31:16	wo	0x0	Operation is the same as MASK_DATA_0_LSW[MASK_0_LSW]
DATA_2_MSW	15:0	rw	0x0	Operation is the same as MASK_DATA_0_LSW[DATA_0_LSW]

### Register ([gpio](#)) MASK\_DATA\_3\_LSW

Name	MASK_DATA_3_LSW
Relative Address	0x00000018
Absolute Address	0xE000A018
Width	32 bits
Access Type	mixed
Reset Value	0x00000000
Description	Maskable Output Data (GPIO Bank3, EMIO, Lower 16bits)

#### Register MASK\_DATA\_3\_LSW Details

This register operates in exactly the same manner as MASK\_DATA\_0\_LSW, except that it controls the lower 16bits of bank3, which corresponds to EMIO[47:32].

Field Name	Bits	Type	Reset Value	Description
MASK_3_LSW	31:16	wo	0x0	Operation is the same as MASK_DATA_0_LSW[MASK_0_LSW]
DATA_3_LSW	15:0	rw	0x0	Operation is the same as MASK_DATA_0_LSW[DATA_0_LSW]

### Register ([gpio](#)) MASK\_DATA\_3\_MSW

Name	MASK_DATA_3_MSW
Relative Address	0x0000001C
Absolute Address	0xE000A01C
Width	32 bits
Access Type	mixed
Reset Value	0x00000000
Description	Maskable Output Data (GPIO Bank3, EMIO, Upper 16bits)

#### Register MASK\_DATA\_3\_MSW Details

This register operates in exactly the same manner as MASK\_DATA\_0\_LSW, except that it controls the upper 16bits of bank3, which corresponds to EMIO[63:48].

Field Name	Bits	Type	Reset Value	Description
MASK_3_MSW	31:16	wo	0x0	Operation is the same as MASK_DATA_0_LSW[MASK_0_LSW]
DATA_3_MSW	15:0	rw	0x0	Operation is the same as MASK_DATA_0_LSW[DATA_0_LSW]

### Register ([gpio](#)) DATA\_0

Name	DATA_0
Software Name	DATA
Relative Address	0x00000040
Absolute Address	0xE000A040
Width	32 bits
Access Type	rw
Reset Value	x
Description	Output Data (GPIO Bank0, MIO)

#### Register DATA\_0 Details

This register controls the value being output when the GPIO signal is configured as an output. All 32bits of this register are written at one time. Reading from this register returns the previous value written to either DATA or MASK\_DATA\_{LSW,MSW}; it does not return the value on the device pin.

NOTE: This register does not affect the enabling of the output driver. See the DIRM\_0 and OEN\_0 registers.

This register controls the output values for bank0, which corresponds to MIO[31:0].

Field Name	Bits	Type	Reset Value	Description
DATA_0	31:0	rw	x	Output Data

### Register ([gpio](#)) DATA\_1

Name	DATA_1
Relative Address	0x00000044
Absolute Address	0xE000A044
Width	22 bits
Access Type	rw
Reset Value	x
Description	Output Data (GPIO Bank1, MIO)

### Register DATA\_1 Details

This register operates in exactly the same manner as DATA\_0, except that it controls bank1, which corresponds to MIO[53:32].

Field Name	Bits	Type	Reset Value	Description
DATA_1	21:0	rw	x	Output Data

### Register (gpio) DATA\_2

Name	DATA_2
Relative Address	0x00000048
Absolute Address	0xE000A048
Width	32 bits
Access Type	rw
Reset Value	0x00000000
Description	Output Data (GPIO Bank2, EMIO)

### Register DATA\_2 Details

This register operates in exactly the same manner as DATA\_0, except that it controls bank2, which corresponds to EMIO[31:0].

Field Name	Bits	Type	Reset Value	Description
DATA_2	31:0	rw	0x0	Output Data

### Register (gpio) DATA\_3

Name	DATA_3
Relative Address	0x0000004C
Absolute Address	0xE000A04C
Width	32 bits
Access Type	rw
Reset Value	0x00000000
Description	Output Data (GPIO Bank3, EMIO)

### Register DATA\_3 Details

This register operates in exactly the same manner as DATA\_0, except that it controls bank3, which corresponds to EMIO[63:32].

Field Name	Bits	Type	Reset Value	Description
DATA_3	31:0	rw	0x0	Output Data



### Register ([gpio](#)) DATA\_0\_RO

Name	DATA_0_RO
Relative Address	0x00000060
Absolute Address	0xE000A060
Width	32 bits
Access Type	ro
Reset Value	x
Description	Input Data (GPIO Bank0, MIO)

#### Register DATA\_0\_RO Details

This register enables software to observe the value on the device pin. If the GPIO signal is configured as an output, then this would normally reflect the value being driven on the output. Writes to this register are ignored.

This register reflects the input values for bank0, which corresponds to MIO[31:0].

NOTE: If the MIO is not configured to enable this pin as a GPIO pin, then DATA\_RO is unpredictable. In other words, software cannot observe values on non-GPIO pins through the GPIO registers.

Field Name	Bits	Type	Reset Value	Description
DATA_0_RO	31:0	ro	x	Input Data NOTE: bits[8:7] of bank0 cannot be used as inputs and will always return 0 when read. See the GPIO chapter for more information.

### Register ([gpio](#)) DATA\_1\_RO

Name	DATA_1_RO
Relative Address	0x00000064
Absolute Address	0xE000A064
Width	22 bits
Access Type	ro
Reset Value	x
Description	Input Data (GPIO Bank1, MIO)

#### Register DATA\_1\_RO Details

This register operates in exactly the same manner as DATA\_0\_RO, except that it reflects bank1, which corresponds to MIO[53:32].

Field Name	Bits	Type	Reset Value	Description
DATA_1_RO	21:0	ro	x	Input Data

### Register ([gpio](#)) DATA\_2\_RO

Name	DATA_2_RO
Relative Address	0x00000068
Absolute Address	0xE000A068
Width	32 bits
Access Type	ro
Reset Value	0x00000000
Description	Input Data (GPIO Bank2, EMIO)

#### Register DATA\_2\_RO Details

This register operates in exactly the same manner as DATA\_0\_RO, except that it reflects bank2, which corresponds to EMIO[31:0].

Field Name	Bits	Type	Reset Value	Description
DATA_2_RO	31:0	ro	0x0	Input Data

### Register ([gpio](#)) DATA\_3\_RO

Name	DATA_3_RO
Relative Address	0x0000006C
Absolute Address	0xE000A06C
Width	32 bits
Access Type	ro
Reset Value	0x00000000
Description	Input Data (GPIO Bank3, EMIO)

#### Register DATA\_3\_RO Details

This register operates in exactly the same manner as DATA\_0\_RO, except that it reflects bank3, which corresponds to EMIO[63:32].

Field Name	Bits	Type	Reset Value	Description
DATA_3_RO	31:0	ro	0x0	Input Data

### Register ([gpio](#)) DIRM\_0

Name	DIRM_0
Software Name	DIRM
Relative Address	0x00000204
Absolute Address	0xE000A204

Width	32 bits
Access Type	rw
Reset Value	0x00000000
Description	Direction mode (GPIO Bank0, MIO)

### Register DIRM\_0 Details

This register controls whether the IO pin is acting as an input or an output. Since the input logic is always enabled, this effectively enables/disables the output driver.

Each bit of the bank is independently controlled.

This register controls bank0, which corresponds to MIO[31:0].

Field Name	Bits	Type	Reset Value	Description
DIRECTION_0	31:0	rw	0x0	Direction mode 0: input 1: output Each bit configures the corresponding pin within the 32-bit bank NOTE: bits[8:7] of bank0 cannot be used as inputs. The DIRM bits can be set to 0, but reading DATA_RO does not reflect the input value. See the GPIO chapter for more information.

### Register ([gpio](#)) OEN\_0

Name	OEN_0
Software Name	OUTEN
Relative Address	0x00000208
Absolute Address	0xE000A208
Width	32 bits
Access Type	rw
Reset Value	0x00000000
Description	Output enable (GPIO Bank0, MIO)

### Register OEN\_0 Details

When the IO is configured as an output, this controls whether the output is enabled or not. When the output is disabled, the pin is tri-stated.

NOTE: The MIO driver setting (slcr.MIO\_PIN\_xx.TRI\_ENABLE field) must be disabled (i.e. set to 0) for this field to be operational. When the MIO tri-state is enabled, the driver is disabled regardless of this GPIO setting.

This register controls bank0, which corresponds to MIO[31:0].

Field Name	Bits	Type	Reset Value	Description
OP_ENABLE_0	31:0	rw	0x0	Output enables 0: disabled 1: enabled Each bit configures the corresponding pin within the 32-bit bank

### Register ([gpio](#)) INT\_MASK\_0

Name	INT_MASK_0
Software Name	INTMASK
Relative Address	0x0000020C
Absolute Address	0xE000A20C
Width	32 bits
Access Type	ro
Reset Value	0x00000000
Description	Interrupt Mask Status (GPIO Bank0, MIO)

#### Register INT\_MASK\_0 Details

This register shows which bits are currently masked and which are un-masked/enabled. This register is read only, so masks cannot be changed here. Use INT\_EN and INT\_DIS to change the mask value.

This register controls bank0, which corresponds to MIO[31:0].

Field Name	Bits	Type	Reset Value	Description
INT_MASK_0	31:0	ro	0x0	Interrupt mask 0: interrupt source enabled 1: interrupt source masked Each bit reports the status for the corresponding pin within the 32-bit bank

### Register ([gpio](#)) INT\_EN\_0

Name	INT_EN_0
Software Name	INTEN
Relative Address	0x00000210
Absolute Address	0xE000A210
Width	32 bits
Access Type	wo
Reset Value	0x00000000

Description Interrupt Enable/Unmask (GPIO Bank0, MIO)

Register INT\_EN\_0 Details

This register is used to enable or unmask a GPIO input for use as an interrupt source. Writing a 1 to any bit of this register enables/unmasks that signal for interrupts. Reading from this register returns an unpredictable value.

This register controls bank0, which corresponds to MIO[31:0].

Field Name	Bits	Type	Reset Value	Description
INT_ENABLE_0	31:0	wo	0x0	Interrupt enable 0: no change 1: clear interrupt mask Each bit configures the corresponding pin within the 32-bit bank

Register ([gpio](#)) INT\_DIS\_0

Name INT\_DIS\_0  
 Software Name INTDIS  
 Relative Address 0x00000214  
 Absolute Address 0xE000A214  
 Width 32 bits  
 Access Type wo  
 Reset Value 0x00000000  
 Description Interrupt Disable/Mask (GPIO Bank0, MIO)

Register INT\_DIS\_0 Details

This register is used to disable or mask a GPIO input for use as an interrupt source. Writing a 1 to any bit of this register disables/masks that signal for interrupts. Reading from this register returns an unpredictable value.

This register controls bank0, which corresponds to MIO[31:0].

Field Name	Bits	Type	Reset Value	Description
INT_DISABLE_0	31:0	wo	0x0	Interrupt disable 0: no change 1: set interrupt mask Each bit configures the corresponding pin within the 32-bit bank

Register ([gpio](#)) INT\_STAT\_0

Name INT\_STAT\_0

Software Name	INTSTS
Relative Address	0x00000218
Absolute Address	0xE000A218
Width	32 bits
Access Type	wtc
Reset Value	0x00000000
Description	Interrupt Status (GPIO Bank0, MIO)

### Register INT\_STAT\_0 Details

This registers shows if an interrupt event has occurred or not. Writing a 1 to a bit in this register clears the interrupt status for that bit. Writing a 0 to a bit in this register is ignored.

This register controls bank0, which corresponds to MIO[31:0].

Field Name	Bits	Type	Reset Value	Description
INT_STATUS_0	31:0	wtc	0x0	Interrupt status Upon read: 0: no interrupt 1: interrupt event has occurred Upon write: 0: no action 1: clear interrupt status bit Each bit configures the corresponding pin within the 32-bit bank

### Register ([gpio](#)) INT\_TYPE\_0

Name	INT_TYPE_0
Software Name	INTTYPE
Relative Address	0x0000021C
Absolute Address	0xE000A21C
Width	32 bits
Access Type	rw
Reset Value	0xFFFFFFFF
Description	Interrupt Type (GPIO Bank0, MIO)

### Register INT\_TYPE\_0 Details

This register controls whether the interrupt is edge sensitive or level sensitive.

This register controls bank0, which corresponds to MIO[31:0].

Field Name	Bits	Type	Reset Value	Description
INT_TYPE_0	31:0	rw	0xFFFFFFFF	Interrupt type 0: level-sensitive 1: edge-sensitive Each bit configures the corresponding pin within the 32-bit bank

### Register ([gpio](#)) INT\_POLARITY\_0

Name	INT_POLARITY_0
Software Name	INTPOL
Relative Address	0x00000220
Absolute Address	0xE000A220
Width	32 bits
Access Type	rw
Reset Value	0x00000000
Description	Interrupt Polarity (GPIO Bank0, MIO)

#### Register INT\_POLARITY\_0 Details

This register controls whether the interrupt is active-low or active high (or falling-edge sensitive or rising-edge sensitive).

This register controls bank0, which corresponds to MIO[31:0].

Field Name	Bits	Type	Reset Value	Description
INT_POL_0	31:0	rw	0x0	Interrupt polarity 0: active low or falling edge 1: active high or rising edge Each bit configures the corresponding pin within the 32-bit bank

### Register ([gpio](#)) INT\_ANY\_0

Name	INT_ANY_0
Software Name	INTANY
Relative Address	0x00000224
Absolute Address	0xE000A224
Width	32 bits
Access Type	rw
Reset Value	0x00000000

Description Interrupt Any Edge Sensitive (GPIO Bank0, MIO)

### Register INT\_ANY\_0 Details

If INT\_TYPE is set to edge sensitive, then this register enables an interrupt event on both rising and falling edges. This register is ignored if INT\_TYPE is set to level sensitive.

This register controls bank0, which corresponds to MIO[31:0].

Field Name	Bits	Type	Reset Value	Description
INT_ON_ANY_0	31:0	rw	0x0	Interrupt edge triggering mode 0: trigger on single edge, using configured interrupt polarity 1: trigger on both edges Each bit configures the corresponding pin within the 32-bit bank

### Register ([gpio](#)) DIRM\_1

Name DIRM\_1  
 Relative Address 0x00000244  
 Absolute Address 0xE000A244  
 Width 22 bits  
 Access Type rw  
 Reset Value 0x00000000  
 Description Direction mode (GPIO Bank1, MIO)

### Register DIRM\_1 Details

This register operates in exactly the same manner as DIRM\_0, except that it reflects bank1, which corresponds to MIO[53:32].

Field Name	Bits	Type	Reset Value	Description
DIRECTION_1	21:0	rw	0x0	Operation is the same as DIRM_0[DIRECTION_0]

### Register ([gpio](#)) OEN\_1

Name OEN\_1  
 Relative Address 0x00000248  
 Absolute Address 0xE000A248  
 Width 22 bits  
 Access Type rw  
 Reset Value 0x00000000



Description Output enable (GPIO Bank1, MIO)

### Register OEN\_1 Details

This register operates in exactly the same manner as OEN\_0, except that it reflects bank1, which corresponds to MIO[53:32].

Field Name	Bits	Type	Reset Value	Description
OP_ENABLE_1	21:0	rw	0x0	Operation is the same as OEN_0[OP_ENABLE_0]

### Register ([gpio](#)) INT\_MASK\_1

Name INT\_MASK\_1  
 Relative Address 0x0000024C  
 Absolute Address 0xE000A24C  
 Width 22 bits  
 Access Type ro  
 Reset Value 0x00000000  
 Description Interrupt Mask Status (GPIO Bank1, MIO)

### Register INT\_MASK\_1 Details

This register operates in exactly the same manner as INT\_MASK\_0, except that it reflects bank1, which corresponds to MIO[53:32].

Field Name	Bits	Type	Reset Value	Description
INT_MASK_1	21:0	ro	0x0	Operation is the same as INT_MASK_0[INT_MASK_0]

### Register ([gpio](#)) INT\_EN\_1

Name INT\_EN\_1  
 Relative Address 0x00000250  
 Absolute Address 0xE000A250  
 Width 22 bits  
 Access Type wo  
 Reset Value 0x00000000  
 Description Interrupt Enable/Unmask (GPIO Bank1, MIO)

### Register INT\_EN\_1 Details

This register operates in exactly the same manner as INT\_EN\_0, except that it reflects bank1, which corresponds to MIO[53:32].

Field Name	Bits	Type	Reset Value	Description
INT_ENABLE_1	21:0	wo	0x0	Operation is the same as INT_EN_0[INT_ENABLE_0]

### Register ([gpio](#)) INT\_DIS\_1

Name	INT_DIS_1
Relative Address	0x00000254
Absolute Address	0xE000A254
Width	22 bits
Access Type	wo
Reset Value	0x00000000
Description	Interrupt Disable/Mask (GPIO Bank1, MIO)

#### Register INT\_DIS\_1 Details

This register operates in exactly the same manner as INT\_DIS\_0, except that it reflects bank1, which corresponds to MIO[53:32].

Field Name	Bits	Type	Reset Value	Description
INT_DISABLE_1	21:0	wo	0x0	Operation is the same as INT_DIS_0[INT_DISABLE_0]

### Register ([gpio](#)) INT\_STAT\_1

Name	INT_STAT_1
Relative Address	0x00000258
Absolute Address	0xE000A258
Width	22 bits
Access Type	wtc
Reset Value	0x00000000
Description	Interrupt Status (GPIO Bank1, MIO)

#### Register INT\_STAT\_1 Details

This register operates in exactly the same manner as INT\_STAT\_0, except that it reflects bank1, which corresponds to MIO[53:32].

Field Name	Bits	Type	Reset Value	Description
INT_STATUS_1	21:0	wtc	0x0	Operation is the same as INT_STAT_0[INT_STATUS_0]

### Register ([gpio](#)) INT\_TYPE\_1

Name	INT_TYPE_1
Relative Address	0x0000025C
Absolute Address	0xE000A25C
Width	22 bits
Access Type	rw
Reset Value	0x003FFFFFF
Description	Interrupt Type (GPIO Bank1, MIO)

#### Register INT\_TYPE\_1 Details

This register operates in exactly the same manner as INT\_TYPE\_0, except that it reflects bank1, which corresponds to MIO[53:32].

Field Name	Bits	Type	Reset Value	Description
INT_TYPE_1	21:0	rw	0x3FFFFFF	Operation is the same as INT_TYPE_0[INT_TYPE_0]

### Register ([gpio](#)) INT\_POLARITY\_1

Name	INT_POLARITY_1
Relative Address	0x00000260
Absolute Address	0xE000A260
Width	22 bits
Access Type	rw
Reset Value	0x00000000
Description	Interrupt Polarity (GPIO Bank1, MIO)

#### Register INT\_POLARITY\_1 Details

This register operates in exactly the same manner as INT\_POLARITY\_0, except that it reflects bank1, which corresponds to MIO[53:32].

Field Name	Bits	Type	Reset Value	Description
INT_POL_1	21:0	rw	0x0	Operation is the same as INT_POLARITY_0[INT_POL_0]

### Register ([gpio](#)) INT\_ANY\_1

Name	INT_ANY_1
Relative Address	0x00000264

Absolute Address 0xE000A264  
 Width 22 bits  
 Access Type rw  
 Reset Value 0x00000000  
 Description Interrupt Any Edge Sensitive (GPIO Bank1, MIO)

**Register INT\_ANY\_1 Details**

This register operates in exactly the same manner as INT\_ANY\_0, except that it reflects bank1, which corresponds to MIO[53:32].

Field Name	Bits	Type	Reset Value	Description
INT_ON_ANY_1	21:0	rw	0x0	Operation is the same as INT_ANY_0[INT_ON_ANY_0]

**Register ([gpio](#)) DIRM\_2**

Name DIRM\_2  
 Relative Address 0x00000284  
 Absolute Address 0xE000A284  
 Width 32 bits  
 Access Type rw  
 Reset Value 0x00000000  
 Description Direction mode (GPIO Bank2, EMIO)

**Register DIRM\_2 Details**

This register operates in exactly the same manner as DIRM\_0, except that it reflects bank2, which corresponds to EMIO[31:0].

Field Name	Bits	Type	Reset Value	Description
DIRECTION_2	31:0	rw	0x0	Operation is the same as DIRM_0[DIRECTION_0]

**Register ([gpio](#)) OEN\_2**

Name OEN\_2  
 Relative Address 0x00000288  
 Absolute Address 0xE000A288  
 Width 32 bits  
 Access Type rw  
 Reset Value 0x00000000

Description Output enable (GPIO Bank2, EMIO)

Register OEN\_2 Details

This register operates in exactly the same manner as OEN\_0, except that it reflects bank2, which corresponds to EMIO[31:0].

Field Name	Bits	Type	Reset Value	Description
OP_ENABLE_2	31:0	rw	0x0	Operation is the same as OEN_0[OP_ENABLE_0]

Register ([gpio](#)) INT\_MASK\_2

Name INT\_MASK\_2  
 Relative Address 0x0000028C  
 Absolute Address 0xE000A28C  
 Width 32 bits  
 Access Type ro  
 Reset Value 0x00000000  
 Description Interrupt Mask Status (GPIO Bank2, EMIO)

Register INT\_MASK\_2 Details

This register operates in exactly the same manner as INT\_MASK\_0, except that it reflects bank2, which corresponds to EMIO[31:0].

Field Name	Bits	Type	Reset Value	Description
INT_MASK_2	31:0	ro	0x0	Operation is the same as INT_MASK_0[INT_MASK_0]

Register ([gpio](#)) INT\_EN\_2

Name INT\_EN\_2  
 Relative Address 0x00000290  
 Absolute Address 0xE000A290  
 Width 32 bits  
 Access Type wo  
 Reset Value 0x00000000  
 Description Interrupt Enable/Unmask (GPIO Bank2, EMIO)

Register INT\_EN\_2 Details

This register operates in exactly the same manner as INT\_EN\_0, except that it reflects bank2, which corresponds to EMIO[31:0].

Field Name	Bits	Type	Reset Value	Description
INT_ENABLE_2	31:0	wo	0x0	Operation is the same as INT_EN_0[INT_ENABLE_0]

### Register ([gpio](#)) INT\_DIS\_2

Name	INT_DIS_2
Relative Address	0x00000294
Absolute Address	0xE000A294
Width	32 bits
Access Type	wo
Reset Value	0x00000000
Description	Interrupt Disable/Mask (GPIO Bank2, EMIO)

#### Register INT\_DIS\_2 Details

This register operates in exactly the same manner as INT\_DIS\_0, except that it reflects bank2, which corresponds to EMIO[31:0].

Field Name	Bits	Type	Reset Value	Description
INT_DISABLE_2	31:0	wo	0x0	Operation is the same as INT_DIS_0[INT_DISABLE_0]

### Register ([gpio](#)) INT\_STAT\_2

Name	INT_STAT_2
Relative Address	0x00000298
Absolute Address	0xE000A298
Width	32 bits
Access Type	wtc
Reset Value	0x00000000
Description	Interrupt Status (GPIO Bank2, EMIO)

#### Register INT\_STAT\_2 Details

This register operates in exactly the same manner as INT\_STAT\_0, except that it reflects bank2, which corresponds to EMIO[31:0].

Field Name	Bits	Type	Reset Value	Description
INT_STATUS_2	31:0	wtc	0x0	Operation is the same as INT_STAT_0[INT_STATUS_0]

### Register ([gpio](#)) INT\_TYPE\_2

Name	INT_TYPE_2
Relative Address	0x0000029C
Absolute Address	0xE000A29C
Width	32 bits
Access Type	rw
Reset Value	0xFFFFFFFF
Description	Interrupt Type (GPIO Bank2, EMIO)

#### Register INT\_TYPE\_2 Details

This register operates in exactly the same manner as INT\_TYPE\_0, except that it reflects bank2, which corresponds to EMIO[31:0].

Field Name	Bits	Type	Reset Value	Description
INT_TYPE_2	31:0	rw	0xFFFFFFFF	Operation is the same as INT_TYPE_0[INT_TYPE_0]

### Register ([gpio](#)) INT\_POLARITY\_2

Name	INT_POLARITY_2
Relative Address	0x000002A0
Absolute Address	0xE000A2A0
Width	32 bits
Access Type	rw
Reset Value	0x00000000
Description	Interrupt Polarity (GPIO Bank2, EMIO)

#### Register INT\_POLARITY\_2 Details

This register operates in exactly the same manner as INT\_POLARITY\_0, except that it reflects bank2, which corresponds to EMIO[31:0].

Field Name	Bits	Type	Reset Value	Description
INT_POL_2	31:0	rw	0x0	Operation is the same as INT_POLARITY_0[INT_POL_0]

### Register ([gpio](#)) INT\_ANY\_2

Name	INT_ANY_2
Relative Address	0x000002A4

Absolute Address 0xE000A2A4  
 Width 32 bits  
 Access Type rw  
 Reset Value 0x00000000  
 Description Interrupt Any Edge Sensitive (GPIO Bank2, EMIO)

**Register INT\_ANY\_2 Details**

This register operates in exactly the same manner as INT\_ANY\_0, except that it reflects bank2, which corresponds to EMIO[31:0].

Field Name	Bits	Type	Reset Value	Description
INT_ON_ANY_2	31:0	rw	0x0	Operation is the same as INT_ANY_0[INT_ON_ANY_0]

**Register ([gpio](#)) DIRM\_3**

Name DIRM\_3  
 Relative Address 0x000002C4  
 Absolute Address 0xE000A2C4  
 Width 32 bits  
 Access Type rw  
 Reset Value 0x00000000  
 Description Direction mode (GPIO Bank3, EMIO)

**Register DIRM\_3 Details**

This register operates in exactly the same manner as DIRM\_0, except that it reflects bank3, which corresponds to EMIO[63:32].

Field Name	Bits	Type	Reset Value	Description
DIRECTION_3	31:0	rw	0x0	Operation is the same as DIRM_0[DIRECTION_0]

**Register ([gpio](#)) OEN\_3**

Name OEN\_3  
 Relative Address 0x000002C8  
 Absolute Address 0xE000A2C8  
 Width 32 bits  
 Access Type rw  
 Reset Value 0x00000000



Description Output enable (GPIO Bank3, EMIO)

### Register OEN\_3 Details

This register operates in exactly the same manner as OEN\_0, except that it reflects bank3, which corresponds to EMIO[63:32].

Field Name	Bits	Type	Reset Value	Description
OP_ENABLE_3	31:0	rw	0x0	Operation is the same as OEN_0[OP_ENABLE_0]

### Register ([gpio](#)) INT\_MASK\_3

Name INT\_MASK\_3  
 Relative Address 0x000002CC  
 Absolute Address 0xE000A2CC  
 Width 32 bits  
 Access Type ro  
 Reset Value 0x00000000  
 Description Interrupt Mask Status (GPIO Bank3, EMIO)

### Register INT\_MASK\_3 Details

This register operates in exactly the same manner as INT\_MASK\_0, except that it reflects bank3, which corresponds to EMIO[63:32].

Field Name	Bits	Type	Reset Value	Description
INT_MASK_3	31:0	ro	0x0	Operation is the same as INT_MASK_0[INT_MASK_0]

### Register ([gpio](#)) INT\_EN\_3

Name INT\_EN\_3  
 Relative Address 0x000002D0  
 Absolute Address 0xE000A2D0  
 Width 32 bits  
 Access Type wo  
 Reset Value 0x00000000  
 Description Interrupt Enable/Unmask (GPIO Bank3, EMIO)

### Register INT\_EN\_3 Details

This register operates in exactly the same manner as INT\_EN\_0, except that it reflects bank3, which corresponds to EMIO[63:32].

Field Name	Bits	Type	Reset Value	Description
INT_ENABLE_3	31:0	wo	0x0	Operation is the same as INT_EN_0[INT_ENABLE_0]

### Register ([gpio](#)) INT\_DIS\_3

Name	INT_DIS_3
Relative Address	0x000002D4
Absolute Address	0xE000A2D4
Width	32 bits
Access Type	wo
Reset Value	0x00000000
Description	Interrupt Disable/Mask (GPIO Bank3, EMIO)

#### Register INT\_DIS\_3 Details

This register operates in exactly the same manner as INT\_DIS\_0, except that it reflects bank3, which corresponds to EMIO[63:32].

Field Name	Bits	Type	Reset Value	Description
INT_DISABLE_3	31:0	wo	0x0	Operation is the same as INT_DIS_0[INT_DISABLE_0]

### Register ([gpio](#)) INT\_STAT\_3

Name	INT_STAT_3
Relative Address	0x000002D8
Absolute Address	0xE000A2D8
Width	32 bits
Access Type	wtc
Reset Value	0x00000000
Description	Interrupt Status (GPIO Bank3, EMIO)

#### Register INT\_STAT\_3 Details

This register operates in exactly the same manner as INT\_STAT\_0, except that it reflects bank3, which corresponds to EMIO[63:32].

Field Name	Bits	Type	Reset Value	Description
INT_STATUS_3	31:0	wtc	0x0	Operation is the same as INT_STAT_0[INT_STATUS_0]

### Register ([gpio](#)) INT\_TYPE\_3

Name	INT_TYPE_3
Relative Address	0x000002DC
Absolute Address	0xE000A2DC
Width	32 bits
Access Type	rw
Reset Value	0xFFFFFFFF
Description	Interrupt Type (GPIO Bank3, EMIO)

#### Register INT\_TYPE\_3 Details

This register operates in exactly the same manner as INT\_TYPE\_0, except that it reflects bank3, which corresponds to EMIO[63:32].

Field Name	Bits	Type	Reset Value	Description
INT_TYPE_3	31:0	rw	0xFFFFFFFF	Operation is the same as INT_TYPE_0[INT_TYPE_0]

### Register ([gpio](#)) INT\_POLARITY\_3

Name	INT_POLARITY_3
Relative Address	0x000002E0
Absolute Address	0xE000A2E0
Width	32 bits
Access Type	rw
Reset Value	0x00000000
Description	Interrupt Polarity (GPIO Bank3, EMIO)

#### Register INT\_POLARITY\_3 Details

This register operates in exactly the same manner as INT\_POLARITY\_0, except that it reflects bank3, which corresponds to EMIO[63:32].

Field Name	Bits	Type	Reset Value	Description
INT_POL_3	31:0	rw	0x0	Operation is the same as INT_POLARITY_0[INT_POL_0]

### Register ([gpio](#)) INT\_ANY\_3

Name	INT_ANY_3
Relative Address	0x000002E4

Absolute Address      0xE000A2E4  
 Width                    32 bits  
 Access Type            rw  
 Reset Value            0x00000000  
 Description            Interrupt Any Edge Sensitive (GPIO Bank3, EMIO)

**Register INT\_ANY\_3 Details**

This register operates in exactly the same manner as INT\_ANY\_0, except that it reflects bank3, which corresponds to EMIO[63:32].

Field Name	Bits	Type	Reset Value	Description
INT_ON_ANY_3	31:0	rw	0x0	Operation is the same as INT_ANY_0[INT_ON_ANY_0]

## B.20 Interconnect QoS (qos301)

Module Name	Interconnect QoS (qos301)
Base Address	0xF8946000 gpv_qos301_cpu 0xF8947000 gpv_qos301_dmac 0xF8948000 gpv_qos301_iou
Description	AMBA Network Interconnect Advanced Quality of Service (QoS-301)
Vendor Info	ARM QoS-301

### Register Summary

Register Name	Address	Width	Type	Reset Value	Description
<a href="#">qos_cntl</a>	0x0000010C	32	rw	0x00000000	The QoS control register contains the enable bits for all the regulators.
<a href="#">max_ot</a>	0x00000110	32	rw	0x00000000	Maximum number of outstanding transactions
<a href="#">max_comb_ot</a>	0x00000114	32	rw	0x00000000	Maximum number of combined outstanding transactions
<a href="#">aw_p</a>	0x00000118	32	rw	0x00000000	AW channel peak rate
<a href="#">aw_b</a>	0x0000011C	32	rw	0x00000000	AW channel burstiness allowance
<a href="#">aw_r</a>	0x00000120	32	rw	0x00000000	AW channel average rate
<a href="#">ar_p</a>	0x00000124	32	rw	0x00000000	AR channel peak rate
<a href="#">ar_b</a>	0x00000128	32	rw	0x00000000	AR channel burstiness allowance
<a href="#">ar_r</a>	0x0000012C	32	rw	0x00000000	AR channel average rate

### Register ([qos301](#)) qos\_cntl

Name	qos_cntl
Relative Address	0x0000010C
Absolute Address	gpv_qos301_cpu: 0xF894610C gpv_qos301_dmac: 0xF894710C gpv_qos301_iou: 0xF894810C
Width	32 bits
Access Type	rw
Reset Value	0x00000000

Description The QoS control register contains the enable bits for all the regulators.

### Register qos\_cntl Details

By default, all of the bits are set to 0, and no regulation is enabled. Regulation only takes place when both the enable bit is set, and its corresponding regulation value is non-zero. The QoS regulators are reset whenever they are re-enabled.

Field Name	Bits	Type	Reset Value	Description
en_awar_ot	7	rw	0x0	Enable combined regulation of outstanding transactions.
en_ar_ot	6	rw	0x0	Enable regulation of outstanding read transactions.
en_aw_ot	5	rw	0x0	Enable regulation of outstanding write transactions.
reserved	4:3	rw	0x0	Reserved
en_awar_rate	2	rw	0x0	Enable combined AW/AR rate regulation.
en_ar_rate	1	rw	0x0	Enable AR rate regulation.
en_aw_rate	0	rw	0x0	Enable AW rate regulation.

### Register ([qos301](#)) max\_ot

Name max\_ot  
 Relative Address 0x00000110  
 Absolute Address gpv\_qos301\_cpu: 0xF8946110  
 gpv\_qos301\_dmac: 0xF8947110  
 gpv\_qos301\_iou: 0xF8948110  
 Width 32 bits  
 Access Type rw  
 Reset Value 0x00000000  
 Description Maximum number of outstanding transactions

### Register max\_ot Details

The maximum number of outstanding transactions register enables you to program the maximum number of address requests for the AR and AW channels. The outstanding transaction limits have an integer part and a fractional part.

Field Name	Bits	Type	Reset Value	Description
ar_max_oti	29:24	rw	0x0	Integer part of max outstanding AR addresses.
ar_max_otf	23:16	rw	0x0	Fraction part of max outstanding AR addresses.
aw_max_oti	13:8	rw	0x0	Integer part of max outstanding AW addresses.
aw_max_otf	7:0	rw	0x0	Fraction part of max outstanding AW addresses.

A value of 0 for both the integer and fractional parts disables the programmable regulation so that the NIC-301 base product configuration limits apply.

A value of 0 for the fractional part programs disables the regulation of fractional outstanding transactions.

The AW and AR outstanding transaction limits are enabled when you set the corresponding en\_aw\_ot or en\_ar\_ot control bits of the QoS control register.

### Register ([qos301](#)) max\_comb\_ot

Name	max_comb_ot
Relative Address	0x00000114
Absolute Address	gpv_qos301_cpu: 0xF8946114 gpv_qos301_dmac: 0xF8947114 gpv_qos301_iou: 0xF8948114
Width	32 bits
Access Type	rw
Reset Value	0x00000000
Description	Maximum number of combined outstanding transactions

#### Register max\_comb\_ot Details

The maximum combined outstanding transactions register enables you to program the maximum number of address requests for the AR and AW channels. The combined limit is applied after any individual channel limits.

Field Name	Bits	Type	Reset Value	Description
awar_max_oti	14:8	rw	0x0	Integer part of max combined outstanding AW/AR addresses.
awar_max_otf	7:0	rw	0x0	Fraction part of max combined outstanding AW/AR addresses.

A value of 0 for both the integer and fractional parts disables the programmable regulation so that the configuration limits apply.

A value of 0 for the fractional part programs disables the regulation of fractional outstanding transactions.

The regulation of the combined outstanding transaction limit also requires that you set the en\_awar\_ot control bit of the QoS control register.

### Register ([qos301](#)) aw\_p

Name	aw_p
Relative Address	0x00000118
Absolute Address	gpv_qos301_cpu: 0xF8946118 gpv_qos301_dmac: 0xF8947118 gpv_qos301_iou: 0xF8948118

Width 32 bits  
 Access Type rw  
 Reset Value 0x00000000  
 Description AW channel peak rate

Register aw\_p Details

Field Name	Bits	Type	Reset Value	Description
	31:24	rw	0x0	channel peak rate. 8-bit fraction of the number of transfers per cycle. A value of 0x80 (decimal 0.5) sets a rate of one transaction every 2 cycles. A value of 0x40 sets a rate of one transaction every 4 cycles, etc.

Register ([qos301](#)) aw\_b

Name aw\_b  
 Relative Address 0x0000011C  
 Absolute Address gpv\_qos301\_cpu: 0xF894611C  
 gpv\_qos301\_dmac: 0xF894711C  
 gpv\_qos301\_iou: 0xF894811C  
 Width 32 bits  
 Access Type rw  
 Reset Value 0x00000000  
 Description AW channel burstiness allowance

Register aw\_b Details

Field Name	Bits	Type	Reset Value	Description
	15:0	rw	0x0	channel burstiness (integer number of transfers)

Register ([qos301](#)) aw\_r

Name aw\_r  
 Relative Address 0x00000120  
 Absolute Address gpv\_qos301\_cpu: 0xF8946120  
 gpv\_qos301\_dmac: 0xF8947120  
 gpv\_qos301\_iou: 0xF8948120  
 Width 32 bits  
 Access Type rw



Reset Value 0x00000000  
 Description AW channel average rate

Register aw\_r Details

Field Name	Bits	Type	Reset Value	Description
	31:20	rw	0x0	channel average rate. 12-bit fraction of the number of transfers per cycle. A value of 0x800 (decimal 0.5) sets a rate of one transaction every 2 cycles. A value of 0x400 sets a rate of one transaction every 4 cycles, etc.

Register ([qos301](#)) ar\_p

Name ar\_p  
 Relative Address 0x00000124  
 Absolute Address gpv\_qos301\_cpu: 0xF8946124  
 gpv\_qos301\_dmac: 0xF8947124  
 gpv\_qos301\_iou: 0xF8948124  
 Width 32 bits  
 Access Type rw  
 Reset Value 0x00000000  
 Description AR channel peak rate

Register ar\_p Details

Field Name	Bits	Type	Reset Value	Description
	31:24	rw	0x0	channel peak rate. 8-bit fraction of the number of transfers per cycle. A value of 0x80 (decimal 0.5) sets a rate of one transaction every 2 cycles. A value of 0x40 sets a rate of one transaction every 4 cycles, etc.

Register ([qos301](#)) ar\_b

Name ar\_b  
 Relative Address 0x00000128  
 Absolute Address gpv\_qos301\_cpu: 0xF8946128  
 gpv\_qos301\_dmac: 0xF8947128  
 gpv\_qos301\_iou: 0xF8948128  
 Width 32 bits  
 Access Type rw

Reset Value 0x00000000  
 Description AR channel burstiness allowance

Register ar\_b Details

Field Name	Bits	Type	Reset Value	Description
	15:0	rw	0x0	channel burstiness (integer number of transfers)

Register ([qos301](#)) ar\_r

Name ar\_r  
 Relative Address 0x0000012C  
 Absolute Address gpv\_qos301\_cpu: 0xF894612C  
 gpv\_qos301\_dmac: 0xF894712C  
 gpv\_qos301\_iou: 0xF894812C  
 Width 32 bits  
 Access Type rw  
 Reset Value 0x00000000  
 Description AR channel average rate

Register ar\_r Details

Field Name	Bits	Type	Reset Value	Description
	31:20	rw	0x0	channel average rate. 12-bit fraction of the number of transfers per cycle. A value of 0x800 (decimal 0.5) sets a rate of one transaction every 2 cycles. A value of 0x400 sets a rate of one transaction every 4 cycles, etc.

Usage Example:

- Peak = 2 (or 1 in 128)
- Burstiness = 5
- Average = 10 (or 1 in 409)

This allows an issuing rate of 1 in 128 until the burstiness allowance of 5 outstanding transactions is reached. Then the average issuing rate of 1 in 409 takes effect until the number of outstanding transactions drops below 5.

## B.21 NIC301 Address Region Control (nic301\_addr\_region\_ctrl\_registers)

Module Name	NIC301 Address Region Control (nic301_addr_region_ctrl_registers)
Software Name	XARC
Base Address	0xF8900000 gpv_trustzone
Description	AMBA NIC301 TrustZone.
Vendor Info	ARM

### Register Summary

Register Name	Address	Width	Type	Reset Value	Description
<a href="#">security_gp0_axi</a>	0x0000001C	1	wo	0x00000000	M_AXI_GP0 security setting
<a href="#">security_gp1_axi</a>	0x00000020	1	wo	0x00000000	M_AXI_GP1 security setting

### Register ([nic301\\_addr\\_region\\_ctrl\\_registers](#)) security\_gp0\_axi

Name	security_gp0_axi
Relative Address	0x0000001C
Absolute Address	0xF890001C
Width	1 bits
Access Type	wo
Reset Value	0x00000000
Description	M_AXI_GP0 security setting

### Register security\_gp0\_axi Details

Field Name	Bits	Type	Reset Value	Description
gp0_axi	0	wo	0x0	Controls the transactions from M_AXI_GP0 to PL: 0 - Always secure 1 - Always non-secure.

### Register ([nic301\\_addr\\_region\\_ctrl\\_registers](#)) security\_gp1\_axi

Name	security_gp1_axi
Relative Address	0x00000020
Absolute Address	0xF8900020

Width 1 bits  
 Access Type wo  
 Reset Value 0x00000000  
 Description M\_AXI\_GP1 security setting

## Register security\_gp1\_axi Details

Field Name	Bits	Type	Reset Value	Description
gp1_axi	0	wo	0x0	Controls the transactions from M_AXI_GP1 to PL: 0 - Always secure 1 - Always non-secure.

## B.22 I2C Controller (IIC)

Module Name	I2C Controller (IIC)
Software Name	XIICPS
Base Address	0xE0004000 i2c0 0xE0005000 i2c1
Description	Inter Integrated Circuit (I2C)
Vendor Info	Cadence IIC

### Register Summary

Register Name	Address	Width	Type	Reset Value	Description
<a href="#">Control_reg0</a>	0x00000000	16	mixed	0x00000000	Control Register
<a href="#">Status_reg0</a>	0x00000004	16	ro	0x00000000	Status register
<a href="#">I2C_address_reg0</a>	0x00000008	16	mixed	0x00000000	IIC Address register
<a href="#">I2C_data_reg0</a>	0x0000000C	16	mixed	0x00000000	IIC data register
<a href="#">Interrupt_status_reg0</a>	0x00000010	16	mixed	0x00000000	IIC interrupt status register
<a href="#">Transfer_size_reg0</a>	0x00000014	8	rw	0x00000000	Transfer Size Register
<a href="#">Slave_mon_pause_reg0</a>	0x00000018	8	mixed	0x00000000	Slave Monitor Pause Register
<a href="#">Time_out_reg0</a>	0x0000001C	8	rw	0x0000001F	Time out register
<a href="#">Intrpt_mask_reg0</a>	0x00000020	16	ro	0x000002FF	Interrupt mask register
<a href="#">Intrpt_enable_reg0</a>	0x00000024	16	mixed	0x00000000	Interrupt Enable Register
<a href="#">Intrpt_disable_reg0</a>	0x00000028	16	mixed	0x00000000	Interrupt Disable Register

### Register (IIC) Control\_reg0

Name	Control_reg0
Software Name	CR
Relative Address	0x00000000
Absolute Address	i2c0: 0xE0004000 i2c1: 0xE0005000
Width	16 bits
Access Type	mixed
Reset Value	0x00000000
Description	Control Register

Register Control\_reg0 Details

Field Name	Bits	Type	Reset Value	Description
divisor_a (DIV_A)	15:14	rw	0x0	Divisor for stage A clock divider. 0 - 3: Divides the input pclk frequency by divisor_a + 1.
divisor_b (DIV_B)	13:8	rw	0x0	Divisor for stage B clock divider. 0 - 63 : Divides the output frequency from divisor_a by divisor_b + 1.
reserved	7	ro	0x0	Reserved, read as zero, ignored on write.
CLR_FIFO	6	rw	0x0	1 - initializes the FIFO to all zeros and clears the transfer size register. Automatically gets cleared on the next APB clock after being set.
SLVMON	5	rw	0x0	Slave monitor mode 1 - monitor mode. 0 - normal operation.
HOLD	4	rw	0x0	hold_bus 1 - when no more data is available for transmit or no more data can be received, hold the sclk line low until serviced by the host. 0 - allow the transfer to terminate as soon as all the data has been transmitted or received.
ACK_EN (ACKEN)	3	rw	0x0	This bit needs to be set to 1 1 - acknowledge enabled, ACK transmitted 0 - acknowledge disabled, NACK transmitted.
NEA	2	rw	0x0	Addressing mode: This bit is used in master mode only. 1 - normal (7-bit) address 0 - reserved
MS	1	rw	0x0	Overall interface mode: 1 - master 0 - slave
RW (RD_WR)	0	rw	0x0	Direction of transfer: This bit is used in master mode only. 1 - master receiver 0 - master transmitter.

Register (IIC) Status\_reg0

Name Status\_reg0  
Software Name SR

Relative Address        0x00000004  
 Absolute Address      i2c0: 0xE0004004  
                               i2c1: 0xE0005004  
 Width                    16 bits  
 Access Type            ro  
 Reset Value            0x00000000  
 Description            Status register

Register Status\_reg0 Details

Field Name	Bits	Type	Reset Value	Description
reserved	15:9	ro	0x0	Reserved, read as zero, ignored on write.
BA	8	ro	0x0	Bus Active 1 - ongoing transfer on the I2C bus.
RXOVF	7	ro	0x0	Receiver Overflow 1 - This bit is set whenever FIFO is full and a new byte is received. The new byte is not acknowledged and contents of the FIFO remains unchanged.
TXDV	6	ro	0x0	Transmit Data Valid - SW should not use this to determine data completion, it is the RAW value on the interface. Please use COMP in the ISR. 1 - still a byte of data to be transmitted by the interface.
RXDV	5	ro	0x0	Receiver Data Valid 1 -valid, new data to be read from the interface.
reserved	4	ro	0x0	Reserved, read as zero, ignored on write.
RXRW	3	ro	0x0	RX read_write 1 - mode of the transmission received from a master.
reserved	2:0	ro	0x0	Reserved, read as zero, ignored on write.

Register (IIC) I2C\_address\_reg0

Name                    I2C\_address\_reg0  
 Software Name        ADDR  
 Relative Address     0x00000008  
 Absolute Address    i2c0: 0xE0004008  
                               i2c1: 0xE0005008  
 Width                   16 bits

Access Type            mixed  
 Reset Value            0x00000000  
 Description            IIC Address register

Register I2C\_address\_reg0 Details

Field Name	Bits	Type	Reset Value	Description
reserved	15:10	ro	0x0	Reserved, read as zero, ignored on write.
ADD (MASK)	9:0	rw	0x0	Address 0 - 1024: Normal addressing mode uses add[6:0]. Extended addressing mode uses add[9:0].

Register (IIC) I2C\_data\_reg0

Name                    I2C\_data\_reg0  
 Software Name        DATA  
 Relative Address     0x0000000C  
 Absolute Address    i2c0: 0xE000400C  
                           i2c1: 0xE000500C  
 Width                 16 bits  
 Access Type         mixed  
 Reset Value         0x00000000  
 Description         IIC data register

Register I2C\_data\_reg0 Details

Field Name	Bits	Type	Reset Value	Description
reserved	15:8	ro	0x0	
DATA (MASK)	7:0	rw	0x0	data 0 -255: When written to, the data register sets data to transmit. When read from, the data register reads the last received byte of data.

Register (IIC) Interrupt\_status\_reg0

Name                    Interrupt\_status\_reg0  
 Software Name        ISR  
 Relative Address     0x00000010  
 Absolute Address    i2c0: 0xE0004010  
                           i2c1: 0xE0005010



Width 16 bits  
 Access Type mixed  
 Reset Value 0x00000000  
 Description IIC interrupt status register

## Register Interrupt\_status\_reg0 Details

Field Name	Bits	Type	Reset Value	Description
reserved	15:10	ro	0x0	Reserved, read as zero, ignored on write.
ARB_LOST (IXR_ARB_LOST)	9	wtc	0x0	arbitration lost 1 = master loses bus ownership during a transfer due to ongoing arbitration
reserved	8	ro	0x0	Reserved, read as zero, ignored on write.
RX_UNF (IXR_RX_UNF)	7	wtc	0x0	FIFO receive underflow 1 = host attempts to read from the I2C data register more times than the value of the transfer size register plus one
TX_OVF (IXR_TX_OVR)	6	wtc	0x0	FIFO transmit overflow 1 = host attempts to write to the I2C data register more times than the FIFO depth
RX_OVF (IXR_RX_OVR)	5	wtc	0x0	Receive overflow 1 = This bit is set whenever FIFO is full and a new byte is received. The new byte is not acknowledged and contents of the FIFO remains unchanged.
SLV_RDY (IXR_SLV_RDY)	4	wtc	0x0	Monitored slave ready 1 = addressed slave returns ACK.
TO (IXR_TO)	3	wtc	0x0	Transfer time out 1 = I2C sclk line is kept low for longer time
NACK (IXR_NACK)	2	wtc	0x0	Transfer not acknowledged 1 = slave responds with a NACK or master terminates the transfer before all data is supplied
DATA (IXR_DATA)	1	wtc	0x0	More data 1 = Data being sent or received
COMP (IXR_COMP)	0	wtc	0x0	Transfer complete 1 = transfer is complete

### Register (IIC) Transfer\_size\_reg0

Name	Transfer_size_reg0
Software Name	TRANS_SIZE
Relative Address	0x00000014
Absolute Address	i2c0: 0xE0004014 i2c1: 0xE0005014
Width	8 bits
Access Type	rw
Reset Value	0x00000000
Description	Transfer Size Register

#### Register Transfer\_size\_reg0 Details

This register's meaning varies according to the operating mode as follows:

- \* Master transmitter mode: number of data bytes still not transmitted minus one
- \* Master receiver mode: number of data bytes that are still expected to be received
- \* Slave transmitter mode: number of bytes remaining in the FIFO after the master terminates the transfer
- \* Slave receiver mode: number of valid data bytes in the FIFO

This register is cleared if CLR\_FIFO bit in the control register is set.

Field Name	Bits	Type	Reset Value	Description
Transfer_Size (MASK)	7:0	rw	0x0	Transfer Size 0-255

### Register (IIC) Slave\_mon\_pause\_reg0

Name	Slave_mon_pause_reg0
Software Name	SLV_PAUSE
Relative Address	0x00000018
Absolute Address	i2c0: 0xE0004018 i2c1: 0xE0005018
Width	8 bits
Access Type	mixed
Reset Value	0x00000000
Description	Slave Monitor Pause Register

Register Slave\_mon\_pause\_reg0 Details

Field Name	Bits	Type	Reset Value	Description
reserved	7:4	ro	0x0	Reserved, read as zero, ignored on write.
Pause (MASK)	3:0	rw	0x0	pause interval 0 - 7: pause interval

Register (IIC) Time\_out\_reg0

Name	Time_out_reg0
Software Name	TIME_OUT
Relative Address	0x0000001C
Absolute Address	i2c0: 0xE000401C i2c1: 0xE000501C
Width	8 bits
Access Type	rw
Reset Value	0x0000001F
Description	Time out register

Register Time\_out\_reg0 Details

Field Name	Bits	Type	Reset Value	Description
TO (MASK)	7:0	rw	0x1F	Time Out 127 - 32 : value of time out register

Register (IIC) Intrpt\_mask\_reg0

Name	Intrpt_mask_reg0
Software Name	IMR
Relative Address	0x00000020
Absolute Address	i2c0: 0xE0004020 i2c1: 0xE0005020
Width	16 bits
Access Type	ro
Reset Value	0x000002FF
Description	Interrupt mask register

### Register Intrpt\_mask\_reg0 Details

Each bit in this register corresponds to a bit in the interrupt status register. If bit *i* in the interrupt mask register is set, the corresponding bit in the interrupt status register is ignored. Otherwise, an interrupt is generated whenever bit *i* in the interrupt status register is set.

Bits in this register are set through a write to the interrupt disable register and are cleared through a write to the interrupt enable register.

All mask bits are set and all interrupts are disabled after reset.

Interrupt mask register has the same format as the interrupt status register.

Field Name	Bits	Type	Reset Value	Description
reserved	15:10	ro	0x0	Reserved, read as zero, ignored on write.
ARB_LOST (IXR_ARB_LOST)	9	ro	0x1	arbitration lost 1 = Mask this interrupt 0 = unmask this interrupt
reserved	8	ro	0x0	Reserved, read as zero, ignored on write.
RX_UNF (IXR_RX_UNF)	7	ro	0x1	FIFO receive underflow 1 = Mask this interrupt 0 = unmask this interrupt
TX_OVF (IXR_TX_OVR)	6	ro	0x1	FIFO transmit overflow 1 = Mask this interrupt 0 = unmask this interrupt
RX_OVF (IXR_RX_OVR)	5	ro	0x1	Receive overflow 1 = Mask this interrupt 0 = unmask this interrupt
SLV_RDY (IXR_SLV_RDY)	4	ro	0x1	Monitored slave ready 1 = Mask this interrupt 0 = unmask this interrupt
TO (IXR_TO)	3	ro	0x1	Transfer time out 1 = Mask this interrupt 0 = unmask this interrupt
NACK (IXR_NACK)	2	ro	0x1	Transfer not acknowledged 1 = Mask this interrupt 0 = unmask this interrupt
DATA (IXR_DATA)	1	ro	0x1	More data 1 = Mask this interrupt 0 = unmask this interrupt
COMP (IXR_COMP)	0	ro	0x1	Transfer complete 1 = Mask this interrupt 0 = unmask this interrupt

### Register (IIC) Intrpt\_enable\_reg0

Name	Intrpt_enable_reg0
Software Name	IER
Relative Address	0x00000024
Absolute Address	i2c0: 0xE0004024 i2c1: 0xE0005024
Width	16 bits
Access Type	mixed
Reset Value	0x00000000
Description	Interrupt Enable Register

#### Register Intrpt\_enable\_reg0 Details

This register has the same format as the interrupt status register.

Setting a bit in the interrupt enable register clears the corresponding mask bit in the interrupt mask register, effectively enabling corresponding interrupt to be generated.

Field Name	Bits	Type	Reset Value	Description
reserved	15:10	ro	0x0	Reserved, read as zero, ignored on write.
ARB_LOST (IXR_ARB_LOST)	9	wo	0x0	arbitration lost 1 = enable this interrupt
reserved	8	ro	0x0	Reserved, read as zero, ignored on write.
RX_UNF (IXR_RX_UNF)	7	wo	0x0	FIFO receive underflow 1 = enable this interrupt
TX_OVF (IXR_TX_OVR)	6	wo	0x0	FIFO transmit overflow 1 = enable this interrupt
RX_OVF (IXR_RX_OVR)	5	wo	0x0	Receive overflow 1 = enable this interrupt
SLV_RDY (IXR_SLV_RDY)	4	wo	0x0	Monitored slave ready 1 = enable this interrupt
TO (IXR_TO)	3	wo	0x0	Transfer time out 1 = enable this interrupt
NACK (IXR_NACK)	2	wo	0x0	Transfer not acknowledged 1 = enable this interrupt
DATA (IXR_DATA)	1	wo	0x0	More data 1 = enable this interrupt
COMP (IXR_COMP)	0	wo	0x0	Transfer complete Will be set when transfer is complete 1 = enable this interrupt

### Register (IIC) Intrpt\_disable\_reg0

Name	Intrpt_disable_reg0
Software Name	IDR
Relative Address	0x00000028
Absolute Address	i2c0: 0xE0004028 i2c1: 0xE0005028
Width	16 bits
Access Type	mixed
Reset Value	0x00000000
Description	Interrupt Disable Register

#### Register Intrpt\_disable\_reg0 Details

This register has the same format as the interrupt status register.

Setting a bit in the interrupt disable register sets the corresponding mask bit in the interrupt mask register, effectively disabling corresponding interrupt to be generated.

Field Name	Bits	Type	Reset Value	Description
reserved	15:10	ro	0x0	Reserved, read as zero, ignored on write.
ARB_LOST (IXR_ARB_LOST)	9	wo	0x0	arbitration lost 1 = disable this interrupt
reserved	8	ro	0x0	Reserved, read as zero, ignored on write.
RX_UNF (IXR_RX_UNF)	7	wo	0x0	FIFO receive underflow 1 = disable this interrupt
TX_OVF (IXR_TX_OVR)	6	wo	0x0	FIFO transmit overflow 1 = disable this interrupt
RX_OVF (IXR_RX_OVR)	5	wo	0x0	Receive overflow 1 = disable this interrupt
SLV_RDY (IXR_SLV_RDY)	4	wo	0x0	Monitored slave ready 1 = disable this interrupt
TO (IXR_TO)	3	wo	0x0	Transfer time out 1 = disable this interrupt
NACK (IXR_NACK)	2	wo	0x0	Transfer not acknowledged 1 = disable this interrupt

Field Name	Bits	Type	Reset Value	Description
DATA (IXR_DATA)	1	wo	0x0	Master Write or Slave Transmitter Master Read or Slave Receiver 1 = disable this interrupt
COMP (IXR_COMP)	0	wo	0x0	Transfer complete Will be set when transfer is complete 1 = disable this interrupt

## B.23 L2 Cache (L2Cpl310)

Module Name	L2 Cache (L2Cpl310)
Base Address	0xF8F02000 l2cache
Description	L2 cache PL310
Vendor Info	ARM

### Register Summary

Register Name	Address	Width	Type	Reset Value	Description
<a href="#">reg0_cache_id</a>	0x00000000	32	mixed	0x410000C8	cache ID register, Returns the 32-bit device ID code it reads off the CACHEID input bus. The value is specified by the system integrator. Reset value: 0x410000c8
<a href="#">reg0_cache_type</a>	0x00000004	32	mixed	0x9E300300	cache type register, Returns the 32-bit cache type. Reset value: 0x1c100100
<a href="#">reg1_control</a>	0x00000100	32	mixed	0x00000000	control register, reset value: 0x0
<a href="#">reg1_aux_control</a>	0x00000104	32	mixed	0x02060000	auxiliary control register, reset value: 0x02020000
<a href="#">reg1_tag_ram_control</a>	0x00000108	32	mixed	0x00000777	Configures Tag RAM latencies
<a href="#">reg1_data_ram_control</a>	0x0000010C	32	mixed	0x00000777	configures data RAM latencies
<a href="#">reg2_ev_counter_ctrl</a>	0x00000200	32	mixed	0x00000000	Permits the event counters to be enabled and reset.
<a href="#">reg2_ev_counter1_cfg</a>	0x00000204	32	mixed	0x00000000	Enables event counter 1 to be driven by a specific event. Counter 1 increments when the event occurs.
<a href="#">reg2_ev_counter0_cfg</a>	0x00000208	32	mixed	0x00000000	Enables event counter 0 to be driven by a specific event. Counter 0 increments when the event occurs.



Register Name	Address	Width	Type	Reset Value	Description
<a href="#">reg2_ev_counter1</a>	0x0000020C	32	rw	0x00000000	Enable the programmer to read off the counter value. The counter counts an event as specified by the Counter Configuration Registers. The counter can be preloaded if counting is disabled and reset by the Event Counter Control Register.
<a href="#">reg2_ev_counter0</a>	0x00000210	32	rw	0x00000000	Enable the programmer to read off the counter value. The counter counts an event as specified by the Counter Configuration Registers. The counter can be preloaded if counting is disabled and reset by the Event Counter Control Register.
<a href="#">reg2_int_mask</a>	0x00000214	32	mixed	0x00000000	This register enables or masks interrupts from being triggered on the external pins of the cache controller. Figure 3-8 on page 3-17 shows the register bit assignments. The bit assignments enables the masking of the interrupts on both their individual outputs and the combined L2CCINTR line. Clearing a bit by writing a 0, disables the interrupt triggering on that pin. All bits are cleared by a reset. You must write to the register bits with a 1 to enable the generation of interrupts. 1 = Enabled. 0 = Masked. This is the default.

Register Name	Address	Width	Type	Reset Value	Description
<a href="#">reg2_int_mask_status</a>	0x00000218	32	mixed	0x00000000	<p>This register is a read-only. It returns the masked interrupt status. This register can be accessed by secure and non-secure operations. The register gives an AND function of the raw interrupt status with the values of the interrupt mask register. All the bits are cleared by a reset. A write to this register is ignored. Bits read can be HIGH or LOW:</p> <p><b>HIGH</b> If the bits read HIGH, they reflect the status of the input lines triggering an interrupt.</p> <p><b>LOW</b> If the bits read LOW, either no interrupt has been generated, or the interrupt is masked.</p>
<a href="#">reg2_int_raw_status</a>	0x0000021C	32	mixed	0x00000000	<p>The Raw Interrupt Status Register enables the interrupt status that excludes the masking logic. Bits read can be HIGH or LOW:</p> <p><b>HIGH</b> If the bits read HIGH, they reflect the status of the input lines triggering an interrupt.</p> <p><b>LOW</b> If the bits read LOW, no interrupt has been generated.</p>
<a href="#">reg2_int_clear</a>	0x00000220	32	mixed	0x00000000	<p>Clears the Raw Interrupt Status Register bits. When a bit is written as 1, it clears the corresponding bit in the Raw Interrupt Status Register. When a bit is written as 0, it has no effect</p>
<a href="#">reg7_cache_sync</a>	0x00000730	32	mixed	0x00000000	<p>Drain the STB. Operation complete when all buffers, LRB, LFB, STB, and EB, are empty</p>
<a href="#">reg7_inv_pa</a>	0x00000770	32	mixed	0x00000000	<p>Invalidate Line by PA: Specific L2 cache line is marked as not valid</p>

Register Name	Address	Width	Type	Reset Value	Description
<a href="#">reg7_inv_way</a>	0x0000077C	32	mixed	0x00000000	Invalidate by Way Invalidate all data in specified ways, including dirty data. An Invalidate by way while selecting all cache ways is equivalent to invalidating all cache entries. Completes as a background task with the way, or ways, locked, preventing allocation.
<a href="#">reg7_clean_pa</a>	0x000007B0	32	mixed	0x00000000	Clean Line by PA Write the specific L2 cache line to L3 main memory if the line is marked as valid and dirty. The line is marked as not dirty. The valid bit is unchanged
<a href="#">reg7_clean_index</a>	0x000007B8	32	mixed	0x00000000	Clean Line by Set/Way Write the specific L2 cache line within the specified way to L3 main memory if the line is marked as valid and dirty. The line is marked as not dirty. The valid bit is unchanged
<a href="#">reg7_clean_way</a>	0x000007BC	32	mixed	0x00000000	Clean by Way Writes each line of the specified L2 cache ways to L3 main memory if the line is marked as valid and dirty. The lines are marked as not dirty. The valid bits are unchanged. Completes as a background task with the way, or ways, locked, preventing allocation.
<a href="#">reg7_clean_inv_pa</a>	0x000007F0	32	mixed	0x00000000	Clean and Invalidate Line by PA Write the specific L2 cache line to L3 main memory if the line is marked as valid and dirty. The line is marked as not valid
<a href="#">reg7_clean_inv_index</a>	0x000007F8	32	mixed	0x00000000	Clean and Invalidate Line by Set/Way Write the specific L2 cache line within the specified way to L3 main memory if the line is marked as valid and dirty. The line is marked as not valid

Register Name	Address	Width	Type	Reset Value	Description
<a href="#">reg7_clean_inv_way</a>	0x000007FC	32	mixed	0x00000000	Clean and Invalidate by Way Writes each line of the specified L2 cache ways to L3 main memory if the line is marked as valid and dirty. The lines are marked as not valid. Completes as a background task with the way, or ways, locked, preventing allocation.
<a href="#">reg9_d_lockdown0</a>	0x00000900	32	mixed	0x00000000	All reg9 registers can prevent new addresses from being allocated and can also prevent data from being evicted out of the L2 cache.  Each register pair (reg9_d_lockdown<n>, reg9_i_lockdown<n>) is for accesses coming from a particular master.  Each bit of each register sets lockdown for a corresponding way, i.e. bit 0 for way 0, bit 1 for way 1, etc.  0 allocation can occur in the corresponding way. 1 there is no allocation in the corresponding way.
<a href="#">reg9_i_lockdown0</a>	0x00000904	32	mixed	0x00000000	instruction lock down 0
<a href="#">reg9_d_lockdown1</a>	0x00000908	32	mixed	0x00000000	data lock down 1
<a href="#">reg9_i_lockdown1</a>	0x0000090C	32	mixed	0x00000000	instruction lock down 1
<a href="#">reg9_d_lockdown2</a>	0x00000910	32	mixed	0x00000000	data lock down 2
<a href="#">reg9_i_lockdown2</a>	0x00000914	32	mixed	0x00000000	instruction lock down 2
<a href="#">reg9_d_lockdown3</a>	0x00000918	32	mixed	0x00000000	data lock down 3
<a href="#">reg9_i_lockdown3</a>	0x0000091C	32	mixed	0x00000000	instruction lock down 3
<a href="#">reg9_d_lockdown4</a>	0x00000920	32	mixed	0x00000000	data lock down 4
<a href="#">reg9_i_lockdown4</a>	0x00000924	32	mixed	0x00000000	instruction lock down 4
<a href="#">reg9_d_lockdown5</a>	0x00000928	32	mixed	0x00000000	data lock down 5
<a href="#">reg9_i_lockdown5</a>	0x0000092C	32	mixed	0x00000000	instruction lock down 5
<a href="#">reg9_d_lockdown6</a>	0x00000930	32	mixed	0x00000000	data lock down 6
<a href="#">reg9_i_lockdown6</a>	0x00000934	32	mixed	0x00000000	instruction lock down 6
<a href="#">reg9_d_lockdown7</a>	0x00000938	32	mixed	0x00000000	data lock down 7
<a href="#">reg9_i_lockdown7</a>	0x0000093C	32	mixed	0x00000000	instruction lock down 7

Register Name	Address	Width	Type	Reset Value	Description
<a href="#">reg9_lock_line_en</a>	0x00000950	32	mixed	0x00000000	Lockdown by Line Enable Register.
<a href="#">reg9_unlock_way</a>	0x00000954	32	mixed	0x00000000	Cache lockdown by way To control the cache lockdown by way and the cache lockdown by master mechanisms see the tables from Table 3-20 to Table 3-35 on page 3-31. For these tables each bit has the following meaning: 0 allocation can occur in the corresponding way. 1 there is no allocation in the corresponding way.
<a href="#">reg12_addr_filtering_start</a>	0x00000C00	32	mixed	0x40000001	When two masters are implemented, you can redirect a whole address range to master 1 (M1). When <code>address_filtering_enable</code> is set, all accesses with <code>address &gt;= address_filtering_start</code> and <code>&lt;address_filtering_end</code> are automatically directed to M1. All other accesses are directed to M0. This feature is programmed using two registers.
<a href="#">reg12_addr_filtering_end</a>	0x00000C04	32	mixed	0xFFF00000	When two masters are implemented, you can redirect a whole address range to master 1 (M1). When <code>address_filtering_enable</code> is set, all accesses with <code>address &gt;= address_filtering_start</code> and <code>&lt;address_filtering_end</code> are automatically directed to M1. All other accesses are directed to M0. This feature is programmed using two registers.

Register Name	Address	Width	Type	Reset Value	Description
<a href="#">reg15_debug_ctrl</a>	0x00000F40	32	mixed	0x00000000	The Debug Control Register forces specific cache behavior required for debug. This register has read-only, non-secure, or read and write, secure, permission. Any secure access and non-secure access can read this register. Only a secure access can write to this register. If a non-secure access tries to write to this register the register issues a DECERR response and does not update.
<a href="#">reg15_prefetch_ctrl</a>	0x00000F60	32	mixed	0x00000000	Purpose Enables prefetch-related features that can improve system performance. Usage constraints This register has both read-only, non-secure, and read and write, secure, permissions. Any secure or non-secure access can read this register. Only a secure access can write to this register. If a non-secure access attempts to write to this register, the register
<a href="#">reg15_power_ctrl</a>	0x00000F80	32	mixed	0x00000000	Purpose Controls the operating mode clock and power modes. Usage constraints There are no usage constraints.

Register ([L2Cpl310](#)) reg0\_cache\_id

Name	reg0_cache_id
Relative Address	0x00000000
Absolute Address	0xF8F02000
Width	32 bits
Access Type	mixed
Reset Value	0x410000C8

Description cache ID register, Returns the 32-bit device ID code it reads off the CACHEID input bus.  
The value is specified by the system integrator. Reset value: 0x410000c8

Register reg0\_cache\_id Details

Field Name	Bits	Type	Reset Value	Description
implementer	31:24	ro	0x41	0x41, ARM
reserved	23:16	waz	0x0	reserved
cache_id	15:10	ro	0x0	cache id
part_num	9:6	ro	0x3	part number
rtl_release	5:0	ro	0x8	RTL release R3p2

Register ([L2Cpl310](#)) reg0\_cache\_type

Name reg0\_cache\_type  
Relative Address 0x00000004  
Absolute Address 0xF8F02004  
Width 32 bits  
Access Type mixed  
Reset Value 0x9E300300  
Description cache type register, Returns the 32-bit cache type. Reset value: 0x1c100100

Register reg0\_cache\_type Details

Field Name	Bits	Type	Reset Value	Description
data_banking	31	ro	0x1	0 = Data banking not implemented. 1 = Data banking implemented.
reserved	30:29	waz	0x0	reserved
ctype	28:25	ro	0xF	11xy, where: x=1 if pl310_LOCKDOWN_BY_MASTER is defined, otherwise 0 y=1 if pl310_LOCKDOWN_BY_LINE is defined, otherwise 0.
H	24	ro	0x0	unified
Dsize_23	23	waz,r az	0x0	fixed to 0
Dsize_mid	22:20	ro	0x3	L2 cache way size Read from Auxiliary Control Register 19 through 17
Dsize_19	19	waz,r az	0x0	fixed to 0

Field Name	Bits	Type	Reset Value	Description
L2_assoc_D	18	ro	0x0	Read from Auxiliary Control Register bit 16
reserved	17:14	waz	0x0	reserved
l2cache_line_len_D	13:12	ro	0x0	L2 cache line length - 00-32 bytes
lsize_11	11	waz,r az	0x0	fixed to 0
lsize_mid	10:8	ro	0x3	L2 cache way size Read from Auxiliary Control Register[19:17]
lsize_7	7	waz,r az	0x0	fixed to 0
L2_assoc_I	6	ro	0x0	Read from Auxiliary Control Register bit 16
reserved	5:2	waz	0x0	reserved
l2cache_line_len_I	1:0	ro	0x0	L2 cache line length - 00-32 bytes

### Register ([L2Cpl310](#)) reg1\_control

Name	reg1_control
Relative Address	0x00000100
Absolute Address	0xF8F02100
Width	32 bits
Access Type	mixed
Reset Value	0x00000000
Description	control register, reset value: 0x0

#### Register reg1\_control Details

Field Name	Bits	Type	Reset Value	Description
reserved	30:1	waz,r az	0x0	reserved, reserved
l2_enable	0	rw	0x0	0 = L2 Cache is disabled. This is the default value. 1 = L2 Cache is enabled.

### Register ([L2Cpl310](#)) reg1\_aux\_control

Name	reg1_aux_control
Relative Address	0x00000104
Absolute Address	0xF8F02104
Width	32 bits



Access Type                    mixed  
 Reset Value                    0x02060000  
 Description                    auxiliary control register, reset value: 0x02020000

## Register reg1\_aux\_control Details

Field Name	Bits	Type	Reset Value	Description
reserved	31	waz,r az	0x0	reserved, reserved
early_bresp_en	30	rw	0x0	Early BRESP enable 0 = Early BRESP disabled. This is the default. 1 = Early BRESP enabled.
instr_prefetch_en	29	rw	0x0	Instruction prefetch enable 0 = Instruction prefetching disabled. This is the default. 1 = Instruction prefetching enabled.
data_prefetch_en	28	rw	0x0	Data prefetch enable 0 = Data prefetching disabled. This is the default. 1 = Data prefetching enabled.
nonsec_inte_access_ctrl	27	rw	0x0	Non-secure interrupt access control 0 = The reg2_int_mask register (at offset address 0x214) and the reg2_int_clear register (at offset address 0x220) can be modified or read with only secure accesses. This is the default. 1 = The reg2_int_mask register (at offset address 0x214) and the reg2_int_clear register (at offset address 0x220) can be modified or read with secure or non-secure accesses.
nonsec_lockdown_en	26	rw	0x0	Non-secure lockdown enable 0 = Lockdown registers cannot be modified using non-secure accesses. This is the default. 1 = Non-secure accesses can write to the lockdown registers.
cache_replace_policy	25	rw	0x1	Cache replacement policy 0 = pseudo-random replacement using lfsr. 1 = round-robin replacement. This is the default.

Field Name	Bits	Type	Reset Value	Description
force_write_alloc	24:23	rw	0x0	Force write allocate b00 = Use AWCACHE attributes for WA. This is the default. b01 = Force no allocate, set WA bit always 0. b10 = Override AWCACHE attributes, set WA bit always 1, all cacheable write misses become write allocated. b11 = Internally mapped to 00. See Cache operation on page 2-11 for more information.
shared_attr_override_en	22	rw	0x0	Shared attribute override enable 0 = Treats shared accesses as specified in Shareable attribute on page 2-15. This is the default. 1 = Shared attribute internally ignored.
parity_en	21	rw	0x0	Parity enable 0 = Disabled. This is the default. 1 = Enabled
event_mon_bus_en	20	rw	0x0	Event monitor bus enable 0 = Disabled. This is the default. 1 = Enabled
way_size	19:17	rw	0x3	Way-size b000 = Reserved, internally mapped to 16KB. b001 = 16KB. b010 = 32KB. b011 = 64KB. b100 = 128KB. b101 = 256KB. b110 = 512KB. b111 = Reserved, internally mapped to 512 KB.
associativity	16	rw	0x0	Associativity 0 = 8-way. 1 = 16-way.
reserved	15:14	waz,raz	0x0	reserved, reserved
shared_attr_inva_en	13	rw	0x0	Shared Attribute Invalidate Enable 0 = Shared invalidate behavior disabled. This is the default. 1 = Shared invalidate behavior enabled, if Shared Attribute Override Enable bit not set. See Shareable attribute on page 2-15.

Field Name	Bits	Type	Reset Value	Description
ex_cache_config	12	rw	0x0	Exclusive cache configuration 0 = Disabled. This is the default. 1 = Enabled,
store_buff_dev_lim_en	11	rw	0x0	Store buffer device limitation Enable 0 = Store buffer device limitation disabled. Device writes can take all slots in store buffer. This is the default. 1= Store buffer device limitation enabled. Device writes cannot take all slots in store buffer when connected to the Cortex-A9 MPCore processor. There is always one available slot to service Normal Memory
high_pr_so_dev_rd_en	10	rw	0x0	High Priority for SO and Dev Reads Enable 0 = Strongly Ordered and Device reads have lower priority than cacheable accesses when arbitrated in the L2CC (L2C-310) master ports. This is the default. 1 = Strongly Ordered and Device reads get the highest priority when arbitrated in the L2CC (L2C-310) master ports.
reserved	9:1	waz,r az	0x0	reserved, reserved
full_line_zero_enable	0	rw	0x0	Full Line of Zero Enable 0 = Full line of write zero behavior disabled. This is the default. 1 = Full line of write zero behavior Enabled.

Register ([L2Cpl310](#)) reg1\_tag\_ram\_control

Name	reg1_tag_ram_control
Relative Address	0x00000108
Absolute Address	0xF8F02108
Width	32 bits
Access Type	mixed
Reset Value	0x00000777
Description	Configures Tag RAM latencies

## Register reg1\_tag\_ram\_control Details

Field Name	Bits	Type	Reset Value	Description
reserved	31:11	waz,r az	0x0	reserved, reserved
ram_wr_access_lat	10:8	rw	0x7	RAM write access latency Default value depends on the value of pl310_TAG_WRITE_LAT b000 = 1 cycle of latency, there is no additional latency. b001 = 2 cycles of latency. b010 = 3 cycles of latency. b011 = 4 cycles of latency. b100 = 5 cycles of latency. b101 = 6 cycles of latency. b110 = 7 cycles of latency. b111 = 8 cycles of latency
reserved	7	waz,r az	0x0	reserved, reserved
ram_rd_access_lat	6:4	rw	0x7	RAM read access latency Default value depends on the value of pl310_TAG_READ_LAT b000 = 1 cycle of latency, there is no additional latency. b001 = 2 cycles of latency. b010 = 3 cycles of latency. b011 = 4 cycles of latency. b100 = 5 cycles of latency. b101 = 6 cycles of latency. b110 = 7 cycles of latency. b111 = 8 cycles of latency.
reserved	3	waz,r az	0x0	reserved, reserved
ram_setup_lat	2:0	rw	0x7	RAM setup latency Default value depends on the value of pl310_TAG_SETUP_LAT b000 = 1 cycle of latency, there is no additional latency. b001 = 2 cycles of latency. b010 = 3 cycles of latency. b011 = 4 cycles of latency. b100 = 5 cycles of latency. b101 = 6 cycles of latency. b110 = 7 cycles of latency. b111 = 8 cycles of latency.

Register ([L2Cpl310](#)) reg1\_data\_ram\_control

Name reg1\_data\_ram\_control  
 Relative Address 0x0000010C  
 Absolute Address 0xF8F0210C  
 Width 32 bits  
 Access Type mixed  
 Reset Value 0x00000777  
 Description configures data RAM latencies

Register reg1\_data\_ram\_control Details

Field Name	Bits	Type	Reset Value	Description
reserved	31:11	waz,r az	0x0	reserved, reserved
ram_wr_access_lat	10:8	rw	0x7	RAM write access latency Default value depends on the value of pl310_DATA_WRITE_LAT b000 = 1 cycle of latency, there is no additional latency. b001 = 2 cycles of latency. b010 = 3 cycles of latency. b011 = 4 cycles of latency. b100 = 5 cycles of latency. b101 = 6 cycles of latency. b110 = 7 cycles of latency. b111 = 8 cycles of latency
reserved	7	waz,r az	0x0	reserved, reserved
ram_rd_access_lat	6:4	rw	0x7	RAM read access latency Default value depends on the value of pl310_DATA_READ_LAT b000 = 1 cycle of latency, there is no additional latency. b001 = 2 cycles of latency. b010 = 3 cycles of latency. b011 = 4 cycles of latency. b100 = 5 cycles of latency. b101 = 6 cycles of latency. b110 = 7 cycles of latency. b111 = 8 cycles of latency.

Field Name	Bits	Type	Reset Value	Description
reserved	3	waz,r az	0x0	reserved, reserved
ran_setup_lat	2:0	rw	0x7	RAM setup latency Default value depends on the value of pl310_DATA_SETUP_LAT b000 = 1 cycle of latency, there is no additional latency. b001 = 2 cycles of latency. b010 = 3 cycles of latency. b011 = 4 cycles of latency. b100 = 5 cycles of latency. b101 = 6 cycles of latency. b110 = 7 cycles of latency. b111 = 8 cycles of latency.

### Register ([L2Cpl310](#)) reg2\_ev\_counter\_ctrl

Name	reg2_ev_counter_ctrl
Relative Address	0x00000200
Absolute Address	0xF8F02200
Width	32 bits
Access Type	mixed
Reset Value	0x00000000
Description	Permits the event counters to be enabled and reset.

#### Register reg2\_ev\_counter\_ctrl Details

Field Name	Bits	Type	Reset Value	Description
reserved	31:3	waz,r az	0x0	reserved, reserved
counter_reset	2:1	raz,r w	0x0	Always Read as zero. The following counters are reset when a 1 is written to the following bits: bit[2] = Event Counter1 reset bit[1] = Event Counter0 reset.
ev_ctr_en	0	rw	0x0	Event counter enable 0 = Event Counting Disable. This is the default. 1 = Event Counting Enable.

### Register ([L2Cpl310](#)) reg2\_ev\_counter1\_cfg

Name	reg2_ev_counter1_cfg
------	----------------------

Relative Address	0x00000204
Absolute Address	0xF8F02204
Width	32 bits
Access Type	mixed
Reset Value	0x00000000
Description	Enables event counter 1 to be driven by a specific event. Counter 1 increments when the event occurs.

Register reg2\_ev\_counter1\_cfg Details

Field Name	Bits	Type	Reset Value	Description
reserved	31:6	waz,r az	0x0	reserved, reserved
ctr_ev_src	5:2	rw	0x0	Counter event source Event Encoding Counter Disabled b0000 CO b0001 DRHIT b0010 DRREQ b0011 DWHIT b0100 DWREQ b0101 DWTREQ b0110 IRHIT b0111 IRREQ b1000 WA b1001 IPFALLOCC b1010 EPFHIT b1011 EPFALLOCC b1100 SRRCVDD b1101 SRCONF b1110 EPFRVDD b1111
ev_ctr_intr_gen	1:0	rw	0x0	Event counter interrupt generation b00 = Disabled. This is the default. b01 = Enabled: Increment condition. b10 = Enabled: Overflow condition. b11 = Interrupt generation is disabled.

Register ([L2Cpl310](#)) reg2\_ev\_counter0\_cfg

Name	reg2_ev_counter0_cfg
Relative Address	0x00000208
Absolute Address	0xF8F02208

Width	32 bits
Access Type	mixed
Reset Value	0x00000000
Description	Enables event counter 0 to be driven by a specific event. Counter 0 increments when the event occurs.

Register reg2\_ev\_counter0\_cfg Details

Field Name	Bits	Type	Reset Value	Description
reserved	31:6	waz,raz	0x0	reserved, reserved
ctr_ev_src	5:2	rw	0x0	Counter event source Event Encoding Counter Disabled b0000 CO b0001 DRHIT b0010 DRREQ b0011 DWHIT b0100 DWREQ b0101 DWTREQ b0110 IRHIT b0111 IRREQ b1000 WA b1001 IPFALLOCC b1010 EPFHIT b1011 EPFALLOCC b1100 SRRCVDD b1101 SRCONF b1110 EPFRCVDD b1111
ev_ctr_intr_gen	1:0	rw	0x0	Event counter interrupt generation b00 = Disabled. This is the default. b01 = Enabled: Increment condition. b10 = Enabled: Overflow condition. b11 = Interrupt generation is disabled.

Register ([L2Cpl310](#)) reg2\_ev\_counter1

Name	reg2_ev_counter1
Relative Address	0x0000020C
Absolute Address	0xF8F0220C
Width	32 bits
Access Type	rw
Reset Value	0x00000000



Description Enable the programmer to read off the counter value. The counter counts an event as specified by the Counter Configuration Registers. The counter can be preloaded if counting is disabled and reset by the Event Counter Control Register.

Register reg2\_ev\_counter1 Details

Field Name	Bits	Type	Reset Value	Description
counter_val	31:0	rw	0x0	Total of the event selected. If a counter reaches its maximum value, it saturates at that value until it is reset.

Register ([L2Cpl310](#)) reg2\_ev\_counter0

Name reg2\_ev\_counter0  
 Relative Address 0x00000210  
 Absolute Address 0xF8F02210  
 Width 32 bits  
 Access Type rw  
 Reset Value 0x00000000  
 Description Enable the programmer to read off the counter value. The counter counts an event as specified by the Counter Configuration Registers. The counter can be preloaded if counting is disabled and reset by the Event Counter Control Register.

Register reg2\_ev\_counter0 Details

Field Name	Bits	Type	Reset Value	Description
counter_val	31:0	rw	0x0	Total of the event selected. If a counter reaches its maximum value, it saturates at that value until it is reset.

Register ([L2Cpl310](#)) reg2\_int\_mask

Name reg2\_int\_mask  
 Relative Address 0x00000214  
 Absolute Address 0xF8F02214  
 Width 32 bits  
 Access Type mixed  
 Reset Value 0x00000000

**Description** This register enables or masks interrupts from being triggered on the external pins of the cache controller. Figure 3-8 on page 3-17 shows the register bit assignments. The bit assignments enables the masking of the interrupts on both their individual outputs and the combined L2CCINTR line. Clearing a bit by writing a 0, disables the interrupt triggering on that pin. All bits are cleared by a reset. You must write to the register bits with a 1 to enable the generation of interrupts.

1 = Enabled.  
 0 = Masked. This is the default.

Register reg2\_int\_mask Details

Field Name	Bits	Type	Reset Value	Description
reserved	31:9	waz,r az	0x0	reserved, reserved
DECERR	8	rw	0x0	DECERR: DECERR from L3
SLVERR	7	rw	0x0	SLVERR: SLVERR from L3
ERRRD	6	rw	0x0	ERRRD: Error on L2 data RAM, Read
ERRRT	5	rw	0x0	ERRRT: Error on L2 tag RAM, Read
ERRWD	4	rw	0x0	ERRWD: Error on L2 data RAM, Write
ERRWT	3	rw	0x0	ERRWT: Error on L2 tag RAM, Write
PARRD	2	rw	0x0	PARRD: Parity Error on L2 data RAM, Read
PARRT	1	rw	0x0	PARRT: Parity Error on L2 tag RAM, Read
ECNTR	0	rw	0x0	ECNTR: Event Counter1/0 Overflow Increment

Register ([L2Cpl310](#)) reg2\_int\_mask\_status

Name reg2\_int\_mask\_status  
 Relative Address 0x00000218  
 Absolute Address 0xF8F02218  
 Width 32 bits  
 Access Type mixed  
 Reset Value 0x00000000

**Description** This register is a read-only. It returns the masked interrupt status. This register can be accessed by secure and non-secure operations. The register gives an AND function of the raw interrupt status with the values of the interrupt mask register. All the bits are cleared by a reset. A write to this register is ignored. Bits read can be HIGH or LOW:  
 HIGH If the bits read HIGH, they reflect the status of the input lines triggering an interrupt.  
 LOW If the bits read LOW, either no interrupt has been generated, or the interrupt is masked.

Register reg2\_int\_mask\_status Details

Field Name	Bits	Type	Reset Value	Description
reserved	31:9	raz	0x0	reserved
DECERR	8	ro	0x0	DECERR: DECERR from L3
SLVERR	7	ro	0x0	SLVERR: SLVERR from L3
ERRRD	6	ro	0x0	ERRRD: Error on L2 data RAM, Read
ERRRT	5	ro	0x0	ERRRT: Error on L2 tag RAM, Read
ERRWD	4	ro	0x0	ERRWD: Error on L2 data RAM, Write
ERRWT	3	ro	0x0	ERRWT: Error on L2 tag RAM, Write
PARRD	2	ro	0x0	PARRD: Parity Error on L2 data RAM, Read
PARRT	1	ro	0x0	PARRT: Parity Error on L2 tag RAM, Read
ECNTR	0	ro	0x0	ECNTR: Event Counter1/0 Overflow Increment

Register ([L2Cpl310](#)) reg2\_int\_raw\_status

**Name** reg2\_int\_raw\_status  
**Relative Address** 0x0000021C  
**Absolute Address** 0xF8F0221C  
**Width** 32 bits  
**Access Type** mixed  
**Reset Value** 0x00000000  
**Description** The Raw Interrupt Status Register enables the interrupt status that excludes the masking logic.  
 Bits read can be HIGH or LOW:  
 HIGH If the bits read HIGH, they reflect the status of the input lines triggering an interrupt.  
 LOW If the bits read LOW, no interrupt has been generated.

Register reg2\_int\_raw\_status Details

Field Name	Bits	Type	Reset Value	Description
reserved	31:9	raz	0x0	reserved
DECERR	8	ro	0x0	DECERR: DECERR from L3
SLVERR	7	ro	0x0	SLVERR: SLVERR from L3
ERRRD	6	ro	0x0	ERRRD: Error on L2 data RAM, Read
ERRRT	5	ro	0x0	ERRRT: Error on L2 tag RAM, Read
ERRWD	4	ro	0x0	ERRWD: Error on L2 data RAM, Write
ERRWT	3	ro	0x0	ERRWT: Error on L2 tag RAM, Write
PARRD	2	ro	0x0	PARRD: Parity Error on L2 data RAM, Read
PARRT	1	ro	0x0	PARRT: Parity Error on L2 tag RAM, Read
ECNTR	0	ro	0x0	ECNTR: Event Counter1/0 Overflow Increment

Register ([L2Cpl310](#)) reg2\_int\_clear

Name	reg2_int_clear
Relative Address	0x00000220
Absolute Address	0xF8F02220
Width	32 bits
Access Type	mixed
Reset Value	0x00000000
Description	<p>Clears the Raw Interrupt Status Register bits.</p> <p>When a bit is written as 1, it clears the corresponding bit in the Raw Interrupt Status Register. When a bit is written as 0, it has no effect</p>

Register reg2\_int\_clear Details

Field Name	Bits	Type	Reset Value	Description
reserved	31:9	raz	0x0	reserved
DECERR	8	wtc	0x0	DECERR: DECERR from L3
SLVERR	7	wtc	0x0	SLVERR: SLVERR from L3
ERRRD	6	wtc	0x0	ERRRD: Error on L2 data RAM, Read
ERRRT	5	wtc	0x0	ERRRT: Error on L2 tag RAM, Read
ERRWD	4	wtc	0x0	ERRWD: Error on L2 data RAM, Write
ERRWT	3	wtc	0x0	ERRWT: Error on L2 tag RAM, Write
PARRD	2	wtc	0x0	PARRD: Parity Error on L2 data RAM, Read

Field Name	Bits	Type	Reset Value	Description
PARRT	1	wtc	0x0	PARRT: Parity Error on L2 tag RAM, Read
ECNTR	0	wtc	0x0	ECNTR: Event Counter1/0 Overflow Increment

### Register ([L2Cpl310](#)) reg7\_cache\_sync

Name	reg7_cache_sync
Relative Address	0x00000730
Absolute Address	0xF8F02730
Width	32 bits
Access Type	mixed
Reset Value	0x00000000
Description	Drain the STB. Operation complete when all buffers, LRB, LFB, STB, and EB, are empty

#### Register reg7\_cache\_sync Details

Field Name	Bits	Type	Reset Value	Description
reserved	31:1	waz	0x0	reserved
c	0	rw	0x0	Cache Sync: Drain the STB. Operation complete when all buffers, LRB, LFB, STB, and EB, are empty.

### Register ([L2Cpl310](#)) reg7\_inv\_pa

Name	reg7_inv_pa
Relative Address	0x00000770
Absolute Address	0xF8F02770
Width	32 bits
Access Type	mixed
Reset Value	0x00000000
Description	Invalidate Line by PA: Specific L2 cache line is marked as not valid

#### Register reg7\_inv\_pa Details

Field Name	Bits	Type	Reset Value	Description
tag	31:12	rw	0x0	tag
index	11:5	rw	0x0	index

Field Name	Bits	Type	Reset Value	Description
reserved	4:1	waz	0x0	reserved
c	0	rw	0x0	C Flag When written must be 0. When read, indicates that a background operation is in progress

### Register ([L2Cpl310](#)) reg7\_inv\_way

Name	reg7_inv_way
Relative Address	0x0000077C
Absolute Address	0xF8F0277C
Width	32 bits
Access Type	mixed
Reset Value	0x00000000
Description	Invalidate by Way Invalidate all data in specified ways, including dirty data. An Invalidate by way while selecting all cache ways is equivalent to invalidating all cache entries. Completes as a background task with the way, or ways, locked, preventing allocation.

#### Register reg7\_inv\_way Details

Field Name	Bits	Type	Reset Value	Description
reserved	31:8	waz	0x0	reserved
way_bits	7:0	rw	0x0	way bits: You can select multiple ways at the same time, by setting the Way bits to 1

### Register ([L2Cpl310](#)) reg7\_clean\_pa

Name	reg7_clean_pa
Relative Address	0x000007B0
Absolute Address	0xF8F027B0
Width	32 bits
Access Type	mixed
Reset Value	0x00000000
Description	Clean Line by PA Write the specific L2 cache line to L3 main memory if the line is marked as valid and dirty. The line is marked as not dirty. The valid bit is unchanged

Register reg7\_clean\_pa Details

Field Name	Bits	Type	Reset Value	Description
tag	31:12	rw	0x0	tag
index	11:5	rw	0x0	index
reserved	4:1	waz	0x0	reserved
c	0	rw	0x0	C Flag When written must be 0. When read, indicates that a background operation is in progress

Register ([L2Cpl310](#)) reg7\_clean\_index

Name reg7\_clean\_index  
 Relative Address 0x000007B8  
 Absolute Address 0xF8F027B8  
 Width 32 bits  
 Access Type mixed  
 Reset Value 0x00000000  
 Description Clean Line by Set/Way Write the specific L2 cache line within the specified way to L3 main memory if the line is marked as valid and dirty. The line is marked as not dirty. The valid bit is unchanged

Register reg7\_clean\_index Details

Field Name	Bits	Type	Reset Value	Description
reserved	31	waz	0x0	reserved
way	30:28	rw	0x0	way
reserved	27:12	waz	0x0	reserved
index	11:5	rw	0x0	index
reserved	4:1	waz	0x0	reserved
c	0	rw	0x0	c

Register ([L2Cpl310](#)) reg7\_clean\_way

Name reg7\_clean\_way  
 Relative Address 0x000007BC  
 Absolute Address 0xF8F027BC  
 Width 32 bits

Access Type                    mixed  
 Reset Value                    0x00000000  
 Description                    Clean by Way Writes each line of the specified L2 cache ways to L3 main memory if the line is marked as valid and dirty. The lines are marked as not dirty. The valid bits are unchanged. Completes as a background task with the way, or ways, locked, preventing allocation.

Register reg7\_clean\_way Details

Field Name	Bits	Type	Reset Value	Description
reserved	31:8	waz	0x0	reserved
way_bits	7:0	rw	0x0	way bits: You can select multiple ways at the same time, by setting the Way bits to 1

Register ([L2Cpl310](#)) reg7\_clean\_inv\_pa

Name                            reg7\_clean\_inv\_pa  
 Relative Address                0x000007F0  
 Absolute Address                0xF8F027F0  
 Width                            32 bits  
 Access Type                    mixed  
 Reset Value                    0x00000000  
 Description                    Clean and Invalidate Line by PA Write the specific L2 cache line to L3 main memory if the line is marked as valid and dirty. The line is marked as not valid

Register reg7\_clean\_inv\_pa Details

Field Name	Bits	Type	Reset Value	Description
tag	31:12	rw	0x0	tag
index	11:5	rw	0x0	index
reserved	4:1	waz	0x0	reserved
c	0	rw	0x0	C Flag When written must be 0. When read, indicates that a background operation is in progress

Register ([L2Cpl310](#)) reg7\_clean\_inv\_index

Name                            reg7\_clean\_inv\_index



Relative Address	0x000007F8
Absolute Address	0xF8F027F8
Width	32 bits
Access Type	mixed
Reset Value	0x00000000
Description	Clean and Invalidate Line by Set/Way Write the specific L2 cache line within the specified way to L3 main memory if the line is marked as valid and dirty. The line is marked as not valid

Register reg7\_clean\_inv\_index Details

Field Name	Bits	Type	Reset Value	Description
reserved	31	waz	0x0	reserved
way	30:28	rw	0x0	way
reserved	27:12	waz	0x0	reserved
index	11:5	rw	0x0	index
reserved	4:1	waz	0x0	reserved
c	0	rw	0x0	c

Register ([L2Cpl310](#)) reg7\_clean\_inv\_way

Name	reg7_clean_inv_way
Relative Address	0x000007FC
Absolute Address	0xF8F027FC
Width	32 bits
Access Type	mixed
Reset Value	0x00000000
Description	Clean and Invalidate by Way Writes each line of the specified L2 cache ways to L3 main memory if the line is marked as valid and dirty. The lines are marked as not valid. Completes as a background task with the way, or ways, locked, preventing allocation.

Register reg7\_clean\_inv\_way Details

Field Name	Bits	Type	Reset Value	Description
reserved	31:8	waz	0x0	reserved
way_bits	7:0	rw	0x0	way bits: You can select multiple ways at the same time, by setting the Way bits to 1

Register ([L2Cpl310](#)) reg9\_d\_lockdown0

Name reg9\_d\_lockdown0  
 Relative Address 0x00000900  
 Absolute Address 0xF8F02900  
 Width 32 bits  
 Access Type mixed  
 Reset Value 0x00000000  
 Description All reg9 registers can prevent new addresses from being allocated and can also prevent data from being evicted out of the L2 cache.  
 Each register pair (reg9\_d\_lockdown<n>, reg9\_i\_lockdown<n>) is for accesses coming from a particular master.  
 Each bit of each register sets lockdown for a corresponding way, i.e. bit 0 for way 0, bit 1 for way 1, etc.  
 0 allocation can occur in the corresponding way.  
 1 there is no allocation in the corresponding way.

Register reg9\_d\_lockdown0 Details

Field Name	Bits	Type	Reset Value	Description
reserved	31:16	waz,r az	0x0	reserved
DATALOCK000	15:0	rw	0x0	Use for master CPU0

Register ([L2Cpl310](#)) reg9\_i\_lockdown0

Name reg9\_i\_lockdown0  
 Relative Address 0x00000904  
 Absolute Address 0xF8F02904  
 Width 32 bits  
 Access Type mixed  
 Reset Value 0x00000000  
 Description instruction lock down 0

Register reg9\_i\_lockdown0 Details

Field Name	Bits	Type	Reset Value	Description
reserved	31:16	waz,r az	0x0	reserved
INSTRLOCK000	15:0	rw	0x0	Use for master CPU0

Register ([L2Cpl310](#)) reg9\_d\_lockdown1

Name reg9\_d\_lockdown1  
 Relative Address 0x00000908  
 Absolute Address 0xF8F02908  
 Width 32 bits  
 Access Type mixed  
 Reset Value 0x00000000  
 Description data lock down 1

Register reg9\_d\_lockdown1 Details

Field Name	Bits	Type	Reset Value	Description
reserved	31:16	waz,r az	0x0	reserved
DATALOCK001	15:0	rw	0x0	Use for master CPU1

Register ([L2Cpl310](#)) reg9\_i\_lockdown1

Name reg9\_i\_lockdown1  
 Relative Address 0x0000090C  
 Absolute Address 0xF8F0290C  
 Width 32 bits  
 Access Type mixed  
 Reset Value 0x00000000  
 Description instruction lock down 1

Register reg9\_i\_lockdown1 Details

Field Name	Bits	Type	Reset Value	Description
reserved	31:16	waz,r az	0x0	reserved
INSTRLOCK001	15:0	rw	0x0	Use for master CPU1

Register ([L2Cpl310](#)) reg9\_d\_lockdown2

Name reg9\_d\_lockdown2  
 Relative Address 0x00000910  
 Absolute Address 0xF8F02910  
 Width 32 bits

Access Type            mixed  
 Reset Value            0x00000000  
 Description            data lock down 2

Register reg9\_d\_lockdown2 Details

Field Name	Bits	Type	Reset Value	Description
reserved	31:16	waz,r az	0x0	reserved
reserved	15:0	rw	0x0	reserved

Register ([L2Cpl310](#)) reg9\_i\_lockdown2

Name                    reg9\_i\_lockdown2  
 Relative Address        0x00000914  
 Absolute Address        0xF8F02914  
 Width                    32 bits  
 Access Type            mixed  
 Reset Value            0x00000000  
 Description            instruction lock down 2

Register reg9\_i\_lockdown2 Details

Field Name	Bits	Type	Reset Value	Description
reserved	31:16	waz,r az	0x0	reserved
reserved	15:0	rw	0x0	reserved

Register ([L2Cpl310](#)) reg9\_d\_lockdown3

Name                    reg9\_d\_lockdown3  
 Relative Address        0x00000918  
 Absolute Address        0xF8F02918  
 Width                    32 bits  
 Access Type            mixed  
 Reset Value            0x00000000  
 Description            data lock down 3

Register reg9\_d\_lockdown3 Details

Field Name	Bits	Type	Reset Value	Description
reserved	31:16	waz,r az	0x0	reserved
reserved	15:0	rw	0x0	reserved

Register ([L2Cpl310](#)) reg9\_i\_lockdown3

Name	reg9_i_lockdown3
Relative Address	0x0000091C
Absolute Address	0xF8F0291C
Width	32 bits
Access Type	mixed
Reset Value	0x00000000
Description	instruction lock down 3

Register reg9\_i\_lockdown3 Details

Field Name	Bits	Type	Reset Value	Description
reserved	31:16	waz,r az	0x0	reserved
reserved	15:0	rw	0x0	reserved

Register ([L2Cpl310](#)) reg9\_d\_lockdown4

Name	reg9_d_lockdown4
Relative Address	0x00000920
Absolute Address	0xF8F02920
Width	32 bits
Access Type	mixed
Reset Value	0x00000000
Description	data lock down 4

Register reg9\_d\_lockdown4 Details

Field Name	Bits	Type	Reset Value	Description
reserved	31:16	waz,r az	0x0	reserved
DATALOCK100	15:0	rw	0x0	Use for ACP master with SAXIACPAxID[2:1]=00

Register ([L2Cpl310](#)) reg9\_i\_lockdown4

Name reg9\_i\_lockdown4  
 Relative Address 0x00000924  
 Absolute Address 0xF8F02924  
 Width 32 bits  
 Access Type mixed  
 Reset Value 0x00000000  
 Description instruction lock down 4

Register reg9\_i\_lockdown4 Details

Field Name	Bits	Type	Reset Value	Description
reserved	31:16	waz,r az	0x0	reserved
INSTRLOCK100	15:0	rw	0x0	Use for ACP master with SAXIACPAxID[2:1]=00

Register ([L2Cpl310](#)) reg9\_d\_lockdown5

Name reg9\_d\_lockdown5  
 Relative Address 0x00000928  
 Absolute Address 0xF8F02928  
 Width 32 bits  
 Access Type mixed  
 Reset Value 0x00000000  
 Description data lock down 5

Register reg9\_d\_lockdown5 Details

Field Name	Bits	Type	Reset Value	Description
reserved	31:16	waz,r az	0x0	reserved
DATALOCK101	15:0	rw	0x0	Use for ACP master with SAXIACPAxID[2:1]=01

Register ([L2Cpl310](#)) reg9\_i\_lockdown5

Name reg9\_i\_lockdown5  
 Relative Address 0x0000092C  
 Absolute Address 0xF8F0292C  
 Width 32 bits

Access Type            mixed  
 Reset Value            0x00000000  
 Description            instruction lock down 5

Register reg9\_i\_lockdown5 Details

Field Name	Bits	Type	Reset Value	Description
reserved	31:16	waz,r az	0x0	reserved
INSTRLOCK101	15:0	rw	0x0	Use for ACP master with SAXIACPAxID[2:1]=01

Register ([L2Cpl310](#)) reg9\_d\_lockdown6

Name                    reg9\_d\_lockdown6  
 Relative Address        0x00000930  
 Absolute Address        0xF8F02930  
 Width                    32 bits  
 Access Type            mixed  
 Reset Value            0x00000000  
 Description            data lock down 6

Register reg9\_d\_lockdown6 Details

Field Name	Bits	Type	Reset Value	Description
reserved	31:16	waz,r az	0x0	reserved
DATALOCK110	15:0	rw	0x0	Use for ACP master with SAXIACPAxID[2:1]=10

Register ([L2Cpl310](#)) reg9\_i\_lockdown6

Name                    reg9\_i\_lockdown6  
 Relative Address        0x00000934  
 Absolute Address        0xF8F02934  
 Width                    32 bits  
 Access Type            mixed  
 Reset Value            0x00000000  
 Description            instruction lock down 6

Register reg9\_i\_lockdown6 Details

Field Name	Bits	Type	Reset Value	Description
reserved	31:16	waz,r az	0x0	reserved
INSTRLOCK110	15:0	rw	0x0	Use for ACP master with SAXIACPAxID[2:1]=10

Register ([L2Cpl310](#)) reg9\_d\_lockdown7

Name	reg9_d_lockdown7
Relative Address	0x00000938
Absolute Address	0xF8F02938
Width	32 bits
Access Type	mixed
Reset Value	0x00000000
Description	data lock down 7

Register reg9\_d\_lockdown7 Details

Field Name	Bits	Type	Reset Value	Description
reserved	31:16	waz,r az	0x0	reserved
DATALOCK111	15:0	rw	0x0	Use for ACP master with SAXIACPAxID[2:1]=11

Register ([L2Cpl310](#)) reg9\_i\_lockdown7

Name	reg9_i_lockdown7
Relative Address	0x0000093C
Absolute Address	0xF8F0293C
Width	32 bits
Access Type	mixed
Reset Value	0x00000000
Description	instruction lock down 7

Register reg9\_i\_lockdown7 Details

Field Name	Bits	Type	Reset Value	Description
reserved	31:16	waz,r az	0x0	reserved
INSTRLOCK111	15:0	rw	0x0	Use for ACP master with SAXIACPAxID[2:1]=11



Register ([L2Cpl310](#)) reg9\_lock\_line\_en

Name reg9\_lock\_line\_en  
 Relative Address 0x00000950  
 Absolute Address 0xF8F02950  
 Width 32 bits  
 Access Type mixed  
 Reset Value 0x00000000  
 Description Lockdown by Line Enable Register.

Register reg9\_lock\_line\_en Details

Field Name	Bits	Type	Reset Value	Description
reserved	31:1	waz,r az	0x0	reserved
lock_down_by_line_able	0	rw	0x0	0 = Lockdown by line disabled. This is the default. 1 = Lockdown by line enabled.

Register ([L2Cpl310](#)) reg9\_unlock\_way

Name reg9\_unlock\_way  
 Relative Address 0x00000954  
 Absolute Address 0xF8F02954  
 Width 32 bits  
 Access Type mixed  
 Reset Value 0x00000000  
 Description Cache lockdown by way  
 To control the cache lockdown by way and the cache lockdown by master mechanisms see the tables from Table 3-20 to Table 3-35 on page 3-31. For these tables each bit has the following meaning:  
 0 allocation can occur in the corresponding way.  
 1 there is no allocation in the corresponding way.

Register reg9\_unlock\_way Details

Field Name	Bits	Type	Reset Value	Description
reserved	31:16	waz,r az	0x0	reserved
unlock_all_lines_by_way_operation	15:0	rw	0x0	For all bits: 0 = Unlock all lines disabled. This is the default. 1 = Unlock all lines operation in progress for the corresponding way.

Register ([L2Cpl310](#)) reg12\_addr\_filtering\_start

Name	reg12_addr_filtering_start
Relative Address	0x00000C00
Absolute Address	0xF8F02C00
Width	32 bits
Access Type	mixed
Reset Value	0x40000001
Description	<p>When two masters are implemented, you can redirect a whole address range to master 1 (M1).</p> <p>When address_filtering_enable is set, all accesses with address &gt;= address_filtering_start and &lt;address_filtering_end are automatically directed to M1. All other accesses are directed to M0.</p> <p>This feature is programmed using two registers.</p>

Register reg12\_addr\_filtering\_start Details

Field Name	Bits	Type	Reset Value	Description
addr_filtering_start	31:20	rw	0x400	Address filtering start address.
reserved	19:1	waz,r az	0x0	reserved
addr_filtering_enable	0	rw	0x1	0 = Address filtering disabled. 1 = Address filtering enabled

Register ([L2Cpl310](#)) reg12\_addr\_filtering\_end

Name	reg12_addr_filtering_end
Relative Address	0x00000C04
Absolute Address	0xF8F02C04
Width	32 bits
Access Type	mixed

Reset Value 0xFFF00000

Description When two masters are implemented, you can redirect a whole address range to master 1 (M1).  
 When address\_filtering\_enable is set, all accesses with address >= address\_filtering\_start and <address\_filtering\_end are automatically directed to M1. All other accesses are directed to M0.  
 This feature is programmed using two registers.

Register reg12\_addr\_filtering\_end Details

Field Name	Bits	Type	Reset Value	Description
addr_filtering_end	31:20	rw	0xFFF	Address filtering end address.
reserved	19:0	waz,r az	0x0	reserved

Register ([L2Cpl310](#)) reg15\_debug\_ctrl

Name reg15\_debug\_ctrl

Relative Address 0x00000F40

Absolute Address 0xF8F02F40

Width 32 bits

Access Type mixed

Reset Value 0x00000000

Description The Debug Control Register forces specific cache behavior required for debug. This register has read-only, non-secure, or read and write, secure, permission. Any secure access and non-secure access can read this register. Only a secure access can write to this register. If a non-secure access tries to write to this register the register issues a DECERR response and does not update.

Register reg15\_debug\_ctrl Details

Field Name	Bits	Type	Reset Value	Description
reserved	31:3	waz,r az	0x0	reserved
SPNIDEN	2	rw	0x0	Reads value of SPNIDEN input.

Field Name	Bits	Type	Reset Value	Description
DWB	1	rw	0x0	DWB: Disable write-back, force WT 0 = Enable write-back behavior. This is the default. 1 = Force write-through behavior
DCL	0	rw	0x0	DCL: Disable cache linefill 0 = Enable cache linefills. This is the default. 1 = Disable cache linefills.

### Register ([L2Cpl310](#)) reg15\_prefetch\_ctrl

Name	reg15_prefetch_ctrl
Relative Address	0x00000F60
Absolute Address	0xF8F02F60
Width	32 bits
Access Type	mixed
Reset Value	0x00000000
Description	<p>Purpose Enables prefetch-related features that can improve system performance.</p> <p>Usage constraints This register has both read-only, non-secure, and read and write, secure, permissions. Any secure or non-secure access can read this register. Only a secure access can write to this register. If a non-secure access attempts to write to this register, the register</p>

### Register reg15\_prefetch\_ctrl Details

Field Name	Bits	Type	Reset Value	Description
reserved	31	waz,r az	0x0	reserved
double_linefill_en	30	rw	0x0	Double linefill enable: You can set the following options for this register bit: 0 The L2CC always issues 4x64-bit read bursts to L3 on reads that miss in the L2 cache. This is the default. 1 The L2CC issues 8x64-bit read bursts to L3 on reads that miss in the L2 cache.
inst_pref_en	29	rw	0x0	Instruction prefetch enable: You can set the following options for this register bit: 0 Instruction prefetching disabled. This is the default. 1 Instruction prefetching enabled

Field Name	Bits	Type	Reset Value	Description
data_pref_en	28	rw	0x0	Data prefetch enable: You can set the following options for this register bit: 0 Data prefetching disabled. This is the default. 1 Data prefetching enabled.
double_linefill_on_wrapread_en	27	rw	0x0	Double linefill on WRAP read disable: You can set the following options for this register bit: 0 Double linefill on WRAP read enabled. This is the default. 1 Double linefill on WRAP read disabled
reserved	26:25	waz,raz	0x0	reserved
pref_drop_en	24	rw	0x0	Prefetch drop enable: You can set the following options for this register bit: 0 The L2CC does not discard prefetch reads issued to L3. This is the default. 1 The L2CC discards prefetch reads issued to L3 when there is a resource conflict with explicit reads.
incr_double_linefill_en	23	rw	0x0	Incr double Linefill enable: You can set the following options for this register bit: 0 The L2CC does not issue INCR 8x64-bit read bursts to L3 on reads that miss in the L2 cache. This is the default. 1 The L2CC can issue INCR 8x64-bit read bursts to L3 on reads that miss in the L2 cache.
reserved	22	waz,raz	0x0	reserved
not_same_id_on_excl_seq_en	21	rw	0x0	Not same ID on exclusive sequence enable: You can set the following options for this register bit: 0 Read and write portions of a non-cacheable exclusive sequence have the same AXI ID when issued to L3. This is the default. 1 Read and write portions of a non-cacheable exclusive sequence do not have the same AXI ID when issued to L3.
reserved	20:5	waz,raz	0x0	reserved
prefetch_offset	4:0	rw	0x0	Default = b00000.

Register ([L2Cpl310](#)) reg15\_power\_ctrl

Name reg15\_power\_ctrl  
 Relative Address 0x00000F80  
 Absolute Address 0xF8F02F80  
 Width 32 bits  
 Access Type mixed  
 Reset Value 0x00000000  
 Description Purpose Controls the operating mode clock and power modes.  
 Usage constraints There are no usage constraints.

Register reg15\_power\_ctrl Details

Field Name	Bits	Type	Reset Value	Description
reserved	31:2	waz,r az	0x0	reserved
dynamic_clk_gating_en	1	rw	0x0	Dynamic clock gating enable. 1 = Enabled. 0 = Masked. This is the default.
standby_mode_en	0	rw	0x0	Standby mode enable. 1 = Enabled. 0 = Masked. This is the default

## B.24 Application Processing Unit (mpcore)

Module Name	Application Processing Unit (mpcore)
Software Name	XSCU
Base Address	0xF8F00000 mpcore
Description	Mpcore - SCU, Interrupt controller, Counters and Timers
Vendor Info	ARM

### Register Summary

Register Name	Address	Width	Type	Reset Value	Description
<a href="#">SCU_CONTROL_REGISTER</a>	0x00000000	32	rw	0x00000002	SCU Control Register
<a href="#">SCU_CONFIGURATION_REGISTER</a>	0x00000004	32	ro	0x00000501	SCU Configuration Register
<a href="#">SCU_CPU_Power_Status_Register</a>	0x00000008	32	rw	0x00000000	SCU CPU Power Status Register
<a href="#">SCU_Invalidate_All_Registers_in_Secure_State</a>	0x0000000C	32	wo	0x00000000	SCU Invalidate All Registers in Secure State
<a href="#">Filtering_Start_Addresses_Register</a>	0x00000040	32	rw	0x00100000	Filtering Start Address Register
<a href="#">Filtering_End_Addresses_Register</a>	0x00000044	32	rw	0x00000000	Defined by FILTEREND input
<a href="#">SCU_Access_Control_Register_SAC</a>	0x00000050	32	rw	0x0000000F	SCU Access Control (SAC) Register
<a href="#">SCU_Non_secure_Access_Control_Register</a>	0x00000054	32	ro	0x00000000	SCU Non-secure Access Control Register SNSAC
<a href="#">ICCICR</a>	0x00000100	32	rw	0x00000000	CPU Interface Control Register
<a href="#">ICCPMR</a>	0x00000104	32	rw	0x00000000	Interrupt Priority Mask Register
<a href="#">ICCBPR</a>	0x00000108	32	rw	0x00000002	Binary Point Register
<a href="#">ICCIAR</a>	0x0000010C	32	rw	0x000003FF	Interrupt Acknowledge Register
<a href="#">ICCEOIR</a>	0x00000110	32	rw	0x00000000	End Of Interrupt Register
<a href="#">ICCRPR</a>	0x00000114	32	rw	0x000000FF	Running Priority Register
<a href="#">ICCHPIR</a>	0x00000118	32	rw	0x000003FF	Highest Pending Interrupt Register
<a href="#">ICCABPR</a>	0x0000011C	32	rw	0x00000003	Aliased Non-secure Binary Point Register

Register Name	Address	Width	Type	Reset Value	Description
<a href="#">ICCIDR</a>	0x000001FC	32	ro	0x3901243B	CPU Interface Implementer Identification Register
<a href="#">Global_Timer_Counter_Register0</a>	0x00000200	32	rw	0x00000000	Global Timer Counter Register 0
<a href="#">Global_Timer_Counter_Register1</a>	0x00000204	32	rw	0x00000000	Global Timer Counter Register 1
<a href="#">Global_Timer_Control_Register</a>	0x00000208	32	rw	0x00000000	Global Timer Control Register
<a href="#">Global_Timer_Interrupt_Status_Register</a>	0x0000020C	32	rw	0x00000000	Global Timer Interrupt Status Register
<a href="#">Comparator_Value_Register0</a>	0x00000210	32	rw	0x00000000	Comparator Value Register_0
<a href="#">Comparator_Value_Register1</a>	0x00000214	32	rw	0x00000000	Comparator Value Register_1
<a href="#">Auto_increment_Register</a>	0x00000218	32	rw	0x00000000	Auto-increment Register
<a href="#">Private_Timer_Load_Register</a>	0x00000600	32	rw	0x00000000	Private Timer Load Register
<a href="#">Private_Timer_Counter_Register</a>	0x00000604	32	rw	0x00000000	Private Timer Counter Register
<a href="#">Private_Timer_Control_Register</a>	0x00000608	32	rw	0x00000000	Private Timer Control Register
<a href="#">Private_Timer_Interrupt_Status_Register</a>	0x0000060C	32	rw	0x00000000	Private Timer Interrupt Status Register
<a href="#">Watchdog_Load_Register</a>	0x00000620	32	rw	0x00000000	Watchdog Load Register
<a href="#">Watchdog_Counter_Register</a>	0x00000624	32	rw	0x00000000	Watchdog Counter Register
<a href="#">Watchdog_Control_Register</a>	0x00000628	32	rw	0x00000000	Watchdog Control Register
<a href="#">Watchdog_Interrupt_Status_Register</a>	0x0000062C	32	rw	0x00000000	Watchdog Interrupt Status Register
<a href="#">Watchdog_Reset_Status_Register</a>	0x00000630	32	rw	0x00000000	Watchdog Reset Status Register
<a href="#">Watchdog_Disable_Register</a>	0x00000634	32	rw	0x00000000	Watchdog Disable Register
<a href="#">ICDDCR</a>	0x00001000	32	rw	0x00000000	Distributor Control Register
<a href="#">ICDICTR</a>	0x00001004	32	ro	0x0000FC22	Interrupt Controller Type Register
<a href="#">ICDIIDR</a>	0x00001008	32	ro	0x0102043B	Distributor Implementer Identification Register



Register Name	Address	Width	Type	Reset Value	Description
<a href="#">ICDISR0</a>	0x00001080	32	rw	0x00000000	Interrupt Security Register_0
<a href="#">ICDISR1</a>	0x00001084	32	rw	0x00000000	Interrupt Security Register_1
<a href="#">ICDISR2</a>	0x00001088	32	rw	0x00000000	Interrupt Security Register_2
<a href="#">ICDISER0</a>	0x00001100	32	rw	0x0000FFFF	Interrupt Set-enable Register 0
<a href="#">ICDISER1</a>	0x00001104	32	rw	0x00000000	Interrupt Set-enable Register 1
<a href="#">ICDISER2</a>	0x00001108	32	rw	0x00000000	Interrupt Set-enable Register 2
<a href="#">ICDICER0</a>	0x00001180	32	rw	0x0000FFFF	Interrupt Clear-Enable Register 0
<a href="#">ICDICER1</a>	0x00001184	32	rw	0x00000000	Interrupt Clear-Enable Register 1
<a href="#">ICDICER2</a>	0x00001188	32	rw	0x00000000	Interrupt Clear-Enable Register 2
<a href="#">ICDISPR0</a>	0x00001200	32	rw	0x00000000	Interrupt Set-pending Register_0
<a href="#">ICDISPR1</a>	0x00001204	32	rw	0x00000000	Interrupt Set-pending Register_1
<a href="#">ICDISPR2</a>	0x00001208	32	rw	0x00000000	Interrupt Set-pending Register_2
<a href="#">ICDICPR0</a>	0x00001280	32	rw	0x00000000	Interrupt Clear-Pending Register_0
<a href="#">ICDICPR1</a>	0x00001284	32	rw	0x00000000	Interrupt Clear-Pending Register_1
<a href="#">ICDICPR2</a>	0x00001288	32	rw	0x00000000	Interrupt Clear-Pending Register_2
<a href="#">ICDABR0</a>	0x00001300	32	rw	0x00000000	Active Bit register_0
<a href="#">ICDABR1</a>	0x00001304	32	rw	0x00000000	Active Bit register_1
<a href="#">ICDABR2</a>	0x00001308	32	rw	0x00000000	Active Bit register_2
<a href="#">ICDIPR0</a>	0x00001400	32	rw	0x00000000	Interrupt Priority Register_0
<a href="#">ICDIPR1</a>	0x00001404	32	rw	0x00000000	Interrupt Priority Register_1
<a href="#">ICDIPR2</a>	0x00001408	32	rw	0x00000000	Interrupt Priority Register_2
<a href="#">ICDIPR3</a>	0x0000140C	32	rw	0x00000000	Interrupt Priority Register_3
<a href="#">ICDIPR4</a>	0x00001410	32	rw	0x00000000	Interrupt Priority Register_4
<a href="#">ICDIPR5</a>	0x00001414	32	rw	0x00000000	Interrupt Priority Register_5
<a href="#">ICDIPR6</a>	0x00001418	32	rw	0x00000000	Interrupt Priority Register_6
<a href="#">ICDIPR7</a>	0x0000141C	32	rw	0x00000000	Interrupt Priority Register_7
<a href="#">ICDIPR8</a>	0x00001420	32	rw	0x00000000	Interrupt Priority Register_8
<a href="#">ICDIPR9</a>	0x00001424	32	rw	0x00000000	Interrupt Priority Register_9

Register Name	Address	Width	Type	Reset Value	Description
<a href="#">ICDIPR10</a>	0x00001428	32	rw	0x00000000	Interrupt Priority Register_10
<a href="#">ICDIPR11</a>	0x0000142C	32	rw	0x00000000	Interrupt Priority Register_11
<a href="#">ICDIPR12</a>	0x00001430	32	rw	0x00000000	Interrupt Priority Register_12
<a href="#">ICDIPR13</a>	0x00001434	32	rw	0x00000000	Interrupt Priority Register_13
<a href="#">ICDIPR14</a>	0x00001438	32	rw	0x00000000	Interrupt Priority Register_14
<a href="#">ICDIPR15</a>	0x0000143C	32	rw	0x00000000	Interrupt Priority Register_15
<a href="#">ICDIPR16</a>	0x00001440	32	rw	0x00000000	Interrupt Priority Register_16
<a href="#">ICDIPR17</a>	0x00001444	32	rw	0x00000000	Interrupt Priority Register_17
<a href="#">ICDIPR18</a>	0x00001448	32	rw	0x00000000	Interrupt Priority Register_18
<a href="#">ICDIPR19</a>	0x0000144C	32	rw	0x00000000	Interrupt Priority Register_19
<a href="#">ICDIPR20</a>	0x00001450	32	rw	0x00000000	Interrupt Priority Register_20
<a href="#">ICDIPR21</a>	0x00001454	32	rw	0x00000000	Interrupt Priority Register_21
<a href="#">ICDIPR22</a>	0x00001458	32	rw	0x00000000	Interrupt Priority Register_22
<a href="#">ICDIPR23</a>	0x0000145C	32	rw	0x00000000	Interrupt Priority Register_23
<a href="#">ICDIPTR0</a>	0x00001800	32	ro	0x00000000	Interrupt Processor Targets Register 0
<a href="#">ICDIPTR1</a>	0x00001804	32	ro	0x00000000	Interrupt Processor Targets Register 1
<a href="#">ICDIPTR2</a>	0x00001808	32	ro	0x00000000	Interrupt Processor Targets Register 2
<a href="#">ICDIPTR3</a>	0x0000180C	32	ro	0x00000000	Interrupt Processor Targets Register 3
<a href="#">ICDIPTR4</a>	0x00001810	32	rw	0x00000000	Interrupt Processor Targets Register 4
<a href="#">ICDIPTR5</a>	0x00001814	32	ro	0x00000000	Interrupt Processor Targets Register 5
<a href="#">ICDIPTR6</a>	0x00001818	32	ro	0x00000000	Interrupt Processor Targets Register 6
<a href="#">ICDIPTR7</a>	0x0000181C	32	ro	0x00000000	Interrupt Processor Targets Register 7
<a href="#">ICDIPTR8</a>	0x00001820	32	rw	0x00000000	Interrupt Processor Targets Register 8
<a href="#">ICDIPTR9</a>	0x00001824	32	rw	0x00000000	Interrupt Processor Targets Register 9
<a href="#">ICDIPTR10</a>	0x00001828	32	rw	0x00000000	Interrupt Processor Targets Register 10
<a href="#">ICDIPTR11</a>	0x0000182C	32	rw	0x00000000	Interrupt Processor Targets Register 11

Register Name	Address	Width	Type	Reset Value	Description
<a href="#">ICDIPTR12</a>	0x00001830	32	rw	0x00000000	Interrupt Processor Targets Register 12
<a href="#">ICDIPTR13</a>	0x00001834	32	rw	0x00000000	Interrupt Processor Targets Register 13
<a href="#">ICDIPTR14</a>	0x00001838	32	rw	0x00000000	Interrupt Processor Targets Register 14
<a href="#">ICDIPTR15</a>	0x0000183C	32	rw	0x00000000	Interrupt Processor Targets Register 15
<a href="#">ICDIPTR16</a>	0x00001840	32	rw	0x00000000	Interrupt Processor Targets Register 16
<a href="#">ICDIPTR17</a>	0x00001844	32	rw	0x00000000	Interrupt Processor Targets Register 17
<a href="#">ICDIPTR18</a>	0x00001848	32	rw	0x00000000	Interrupt Processor Targets Register 18
<a href="#">ICDIPTR19</a>	0x0000184C	32	rw	0x00000000	Interrupt Processor Targets Register 19
<a href="#">ICDIPTR20</a>	0x00001850	32	rw	0x00000000	Interrupt Processor Targets Register 20
<a href="#">ICDIPTR21</a>	0x00001854	32	rw	0x00000000	Interrupt Processor Targets Register 21
<a href="#">ICDIPTR22</a>	0x00001858	32	rw	0x00000000	Interrupt Processor Targets Register 22
<a href="#">ICDIPTR23</a>	0x0000185C	32	rw	0x00000000	Interrupt Processor Targets Register 23
<a href="#">ICDICFR0</a>	0x00001C00	32	ro	0x00000000	Interrupt Configuration Register 0
<a href="#">ICDICFR1</a>	0x00001C04	32	rw	0x00000000	Interrupt Configuration Register 1
<a href="#">ICDICFR2</a>	0x00001C08	32	rw	0x00000000	Interrupt Configuration Register 2
<a href="#">ICDICFR3</a>	0x00001C0C	32	rw	0x00000000	Interrupt Configuration Register 3
<a href="#">ICDICFR4</a>	0x00001C10	32	rw	0x00000000	Interrupt Configuration Register 4
<a href="#">ICDICFR5</a>	0x00001C14	32	rw	0x00000000	Interrupt Configuration Register 5
<a href="#">ppi_status</a>	0x00001D00	32	ro	0x00000000	PPI Status Register
<a href="#">spi_status_0</a>	0x00001D04	32	ro	0x00000000	SPI Status Register 0
<a href="#">spi_status_1</a>	0x00001D08	32	ro	0x00000000	SPI Status Register 1
<a href="#">ICDSGIR</a>	0x00001F00	32	rw	0x00000000	Software Generated Interrupt Register

Register Name	Address	Width	Type	Reset Value	Description
<a href="#">ICPIDR4</a>	0x00001FD0	32	rw	0x00000004	Peripheral ID4
<a href="#">ICPIDR5</a>	0x00001FD4	32	rw	0x00000000	Peripheral ID5
<a href="#">ICPIDR6</a>	0x00001FD8	32	rw	0x00000000	Peripheral ID6
<a href="#">ICPIDR7</a>	0x00001FDC	32	rw	0x00000000	Peripheral ID7
<a href="#">ICPIDR0</a>	0x00001FE0	32	rw	0x00000090	Peripheral ID0
<a href="#">ICPIDR1</a>	0x00001FE4	32	rw	0x000000B3	Peripheral ID1
<a href="#">ICPIDR2</a>	0x00001FE8	32	rw	0x0000001B	Peripheral ID2
<a href="#">ICPIDR3</a>	0x00001FEC	32	rw	0x00000000	Peripheral ID3
<a href="#">ICCIDR0</a>	0x00001FF0	32	rw	0x0000000D	Component ID0
<a href="#">ICCIDR1</a>	0x00001FF4	32	rw	0x000000F0	Component ID1
<a href="#">ICCIDR2</a>	0x00001FF8	32	rw	0x00000005	Component ID2
<a href="#">ICCIDR3</a>	0x00001FFC	32	rw	0x000000B1	Component ID3

### Register ([mpcore](#)) SCU\_CONTROL\_REGISTER

Name	SCU_CONTROL_REGISTER
Relative Address	0x00000000
Absolute Address	0xF8F00000
Width	32 bits
Access Type	rw
Reset Value	0x00000002
Description	SCU Control Register

#### Register SCU\_CONTROL\_REGISTER Details

Field Name	Bits	Type	Reset Value	Description
reserved	31:7	rw	0x0	Reserved. Writes are ignored, read data is always zero.
IC_standby_enable	6	rw	0x0	When set, this stops the Interrupt Controller clock when no interrupts are pending, and no CPU is performing a read/write request.

Field Name	Bits	Type	Reset Value	Description
SCU_standby_enable	5	rw	0x0	When set, SCU CLK is turned off when all processors are in WFI mode, there is no pending request on the ACP (if implemented), and there is no remaining activity in the SCU. When SCU CLK is off, ARREADYs, AWREADYs and WREADYs on the ACP are forced LOW. The clock is turned on when any processor leaves WFI mode, or if there is a new request on the ACP.
Force_all_Device_to_port0_enable	4	rw	0x0	When set, all requests from the ACP or processors with AxCACHE = NonCacheable Bufferable are forced to be issued on the AXI Master port M0.
SCU_Speculative_linefills_enable	3	rw	0x0	When set, coherent linefill requests are sent speculatively to the L2C-310 in parallel with the tag look-up. If the tag look-up misses, the confirmed linefill is sent to the L2C-310 and gets RDATA earlier because the data request was already initiated by the speculative request. This feature works only if the L2C-310 is present in the design.
SCU_RAMs_Parity_enable	2	rw	0x0	1 = Parity on. 0 = Parity off. This is the default setting. This bit is always zero if support for parity is not implemented.
Address_filtering_enable	1	rw	0x1	1 = Addressing filtering on. 0 = Addressing filtering off. The default value is the value of FILTEREN sampled when nSCURESET is deasserted. This bit is always zero if the SCU is implemented in the single master port configuration.
SCU_enable	0	rw	0x0	1 = SCU enable. 0 = SCU disable. This is the default setting

Register ([mpcore](#)) SCU\_CONFIGURATION\_REGISTER

Name SCU\_CONFIGURATION\_REGISTER

Relative Address        0x00000004  
 Absolute Address      0xF8F00004  
 Width                    32 bits  
 Access Type            ro  
 Reset Value            0x00000501  
 Description            SCU Configuration Register

Register SCU\_CONFIGURATION\_REGISTER Details

Field Name	Bits	Type	Reset Value	Description
reserved	31:16	ro	0x0	Should Be Zero (SBZ)
Tag_RAM_sizes	15:8	ro	0x5	Bits [15:14] indicate Cortex-A9 processor CPU3 tag RAM size if present. Bits [13:12] indicate Cortex-A9 processor CPU2 tag RAM size if present. Bits [11:10] indicate Cortex-A9 processor CPU1 tag RAM size if present. Bits [9:8] indicate Cortex-A9 processor CPU0 tag RAM size. The encoding is as follows: b11 = reserved b10 = 64KB cache, 256 indexes per tag RAM b01 = 32KB cache, 128 indexes per tag RAM b00 = 16KB cache, 64 indexes per tag RAM.
CPUs_SMP	7:4	ro	0x0	Shows the Cortex-A9 processors that are in Symmetric Multi-processing (SMP) or Asymmetric Multi-processing (AMP) mode. 0 = this Cortex-A9 processor is in AMP mode not taking part in coherency or not present. 1 = this Cortex-A9 processor is in SMP mode taking part in coherency. Bit 7 is for CPU3 Bit 6 is for CPU2 Bit 5 is for CPU1 Bit 4 is for CPU0.
reserved	3:2	ro	0x0	Should Be Zero (SBZ)
CPU_number	1:0	ro	0x1	Number of CPUs present in the Cortex-A9 MPCore processor b11 = four Cortex-A9 processors, CPU0, CPU1, CPU2, and CPU3 b10 = three Cortex-A9 processors, CPU0, CPU1, and CPU2 b01 = two Cortex-A9 processors, CPU0 and CPU1 b00 = one Cortex-A9 processor, CPU0.

Register ([mpcore](#)) SCU\_CPU\_Power\_Status\_Register

Name SCU\_CPU\_Power\_Status\_Register  
 Relative Address 0x00000008  
 Absolute Address 0xF8F00008  
 Width 32 bits  
 Access Type rw  
 Reset Value 0x00000000  
 Description SCU CPU Power Status Register

Register SCU\_CPU\_Power\_Status\_Register Details

Field Name	Bits	Type	Reset Value	Description
reserved	31:26	rw	0x0	Should Be Zero (SBZ)
CPU3_status	25:24	rw	0x0	Power status of the Cortex-A9 processor: b00: Normal mode. b01: Reserved. b10: the Cortex-A9 processor is about to enter (or is in) dormant mode. No coherency request is sent to the Cortex-A9 processor. b11: the Cortex-A9 processor is about to enter (or is in) powered-off mode, or is nonpresent. No coherency request is sent to the Cortex-A9 processor.
reserved	23:18	rw	0x0	Should Be Zero (SBZ)
CPU2_status	17:16	rw	0x0	Power status of the Cortex-A9 processor
reserved	15:10	rw	0x0	Should Be Zero (SBZ)
CPU1_status	9:8	rw	0x0	Power status of the Cortex-A9 processor
reserved	7:2	rw	0x0	Should Be Zero (SBZ)
CPU0_status	1:0	rw	0x0	Power status of the Cortex-A9 processor

Register ([mpcore](#)) SCU\_Invalidate\_All\_Registers\_in\_Secure\_State

Name SCU\_Invalidate\_All\_Registers\_in\_Secure\_State  
 Relative Address 0x0000000C  
 Absolute Address 0xF8F0000C  
 Width 32 bits  
 Access Type wo  
 Reset Value 0x00000000

Description SCU Invalidate All Registers in Secure State

Register SCU\_Invalidate\_All\_Registers\_in\_Secure\_State Details

Field Name	Bits	Type	Reset Value	Description
NA	31:16	wo	0x0	NA
CPU3_ways	15:12	wo	0x0	Specifies the ways that must be invalidated for CPU3. Writing to these bits has no effect if the Cortex-A9 MPCore processor has fewer than four processors.
CPU2_ways	11:8	wo	0x0	Specifies the ways that must be invalidated for CPU2. Writing to these bits has no effect if the Cortex-A9 MPCore processor has fewer than three processors
CPU1_ways	7:4	wo	0x0	Specifies the ways that must be invalidated for CPU1. Writing to these bits has no effect if the Cortex-A9 MPCore processor has fewer than two processors.
CPU0_ways	3:0	wo	0x0	Specifies the ways that must be invalidated for CPU0

Register ([mpcore](#)) Filtering\_Start\_Address\_Register

Name Filtering\_Start\_Address\_Register  
 Relative Address 0x00000040  
 Absolute Address 0xF8F00040  
 Width 32 bits  
 Access Type rw  
 Reset Value 0x00100000  
 Description Filtering Start Address Register

Register Filtering\_Start\_Address\_Register Details

Field Name	Bits	Type	Reset Value	Description
Filtering_start_address	31:20	rw	0x1	Start address for use with master port 1 in a two-master port configuration when address filtering is enabled. The default value is the value of FILTERSTART sampled on exit from reset. The value on the pin gives the upper address bits with 1MB granularity.
SBZ	19:0	rw	0x0	SBZ



### Register ([mpcore](#)) Filtering\_End\_Address\_Register

Name	Filtering_End_Address_Register
Relative Address	0x00000044
Absolute Address	0xF8F00044
Width	32 bits
Access Type	rw
Reset Value	0x00000000
Description	Defined by FILTEREND input

#### Register Filtering\_End\_Address\_Register Details

Field Name	Bits	Type	Reset Value	Description
Filtering_end_address	31:20	rw	0x0	End address for use with master port 1 in a two-master port configuration, when address filtering is enabled. The default value is the value of FILTEREND sampled on exit from reset. The value on the pin gives the upper address bits with 1MB granularity.
SBZ	19:0	rw	0x0	SBZ

### Register ([mpcore](#)) SCU\_Access\_Control\_Register\_SAC

Name	SCU_Access_Control_Register_SAC
Relative Address	0x00000050
Absolute Address	0xF8F00050
Width	32 bits
Access Type	rw
Reset Value	0x0000000F
Description	SCU Access Control (SAC) Register

#### Register SCU\_Access\_Control\_Register\_SAC Details

Field Name	Bits	Type	Reset Value	Description
	31:4	rw	0x0	SBZ
CPU3	3	rw	0x1	0 = CPU3 cannot access the components. 1 = CPU3 can access the components. This is the default.

Field Name	Bits	Type	Reset Value	Description
CPU2	2	rw	0x1	0 = CPU2 cannot access the components. 1 = CPU2 can access the components. This is the default.
CPU1	1	rw	0x1	0 = CPU1 cannot access the components. 1 = CPU1 can access the components. This is the default.
CPU0	0	rw	0x1	0 = CPU0 cannot access the components. 1 = CPU0 can access the components. This is the default.

### Register ([mpcore](#)) SCU\_Non\_secure\_Access\_Control\_Register

Name	SCU_Non_secure_Access_Control_Register
Relative Address	0x00000054
Absolute Address	0xF8F00054
Width	32 bits
Access Type	ro
Reset Value	0x00000000
Description	SCU Non-secure Access Control Register SNSAC

### Register SCU\_Non\_secure\_Access\_Control\_Register Details

Field Name	Bits	Type	Reset Value	Description
SBZ	31:12	ro	0x0	SBZ
CPU3_global_timer	11	ro	0x0	same as above
CPU2_global_timer	10	ro	0x0	same as above
CPU1_global_timer	9	ro	0x0	same as above
CPU0_global_timer	8	ro	0x0	Non-secure access to the global timer for CPU<n>. * <n> is 3 for bit[11] * <n> is 2 for bit[10] * <n> is 1 for bit[9] * <n> is 0 for bit[8]. 0 = Secure accesses only. This is the default value. 1 = Secure accesses and Non-Secure accesses.
Private_timers_for_CPU3	7	ro	0x0	same as above
Private_timers_for_CPU2	6	ro	0x0	same as above

Field Name	Bits	Type	Reset Value	Description
Private_timers_for_CP U1	5	ro	0x0	same as above
Private_timers_for_CP U0	4	ro	0x0	Non-secure access to the private timer and watchdog for CPU<n>. * <n> is 3 for bit[7] * <n> is 2 for bit[6] * <n> is 1 for bit[5] * <n> is 0 for bit[4]. 0 = Secure accesses only. Non-secure reads return 0. This is the default value. 1 = Secure accesses and Non-secure accesses.
Component_access_for _CPU3	3	ro	0x0	same as above
Component_access_for _CPU2	2	ro	0x0	same as above
Component_access_for _CPU1	1	ro	0x0	same as above
Component_access_for _CPU0	0	ro	0x0	Non-secure access to the components for CPU<n>. * <n> is 3 for bit[3] * <n> is 2 for bit[2] * <n> is 1 for bit[1] * <n> is 0 for bit[0]. 0 = CPU cannot write the components 1 = CPU can access the components.

### Register ([mpcore](#)) ICCICR

Name	ICCICR
Software Name	GIC_CONTROL
Relative Address	0x00000100
Absolute Address	0xF8F00100
Width	32 bits
Access Type	rw
Reset Value	0x00000000
Description	CPU Interface Control Register

Register ICCICR Details

Field Name	Bits	Type	Reset Value	Description
reserved	31:5	rw	0x0	reserved
SBPR (GIC_CNTR_SBPR)	4	rw	0x0	Controls whether the CPU interface uses the Secure or Non-secure Binary Point Register for preemption. 0: use the Secure Binary Point Register for Secure interrupts, and use the Non-secure Binary Point Register for Non-secure interrupts. 1: use the Secure Binary Point Register for both Secure and Non-secure interrupts.
FIQEn (GIC_CNTR_FIQEN)	3	rw	0x0	Controls whether the GIC signals Secure interrupts to a target processor using the FIQ or the IRQ signal. 0: using IRQ, 1: using FIQ. The GIC always signals Non-secure interrupts using IRQ.
AckCtl (GIC_CNTR_ACKCTL)	2	rw	0x0	Controls whether a Secure read of the ICCIAR, when the highest priority pending interrupt is Non-secure, causes the CPU interface to acknowledge the interrupt.
EnableNS (GIC_CNTR_EN_NS)	1	rw	0x0	An alias of the Enable bit in the Non-secure ICCICR. This alias bit means Secure software can enable the signal of Non-secure interrupts.
EnableS (GIC_CNTR_EN_S)	0	rw	0x0	Global enable for the signaling of Secure interrupts by the CPU interfaces to the connected processors.

Register ([mpcore](#)) ICCPMR

Name	ICCPMR
Software Name	GIC_CPU_PRIOR
Relative Address	0x00000104
Absolute Address	0xF8F00104
Width	32 bits
Access Type	rw
Reset Value	0x00000000
Description	Interrupt Priority Mask Register

Register ICCPMR Details

Field Name	Bits	Type	Reset Value	Description
reserved	31:8	rw	0x0	reserved
Priority (GIC_PRIORITY)	7:0	rw	0x0	The priority mask level for the CPU interface. If the priority of an interrupt is higher than the value indicated by this field, the interface signals the interrupt to the processor.

Register ([mpcore](#)) ICCBPR

Name	ICCBPR
Software Name	GIC_BIN_PT
Relative Address	0x00000108
Absolute Address	0xF8F00108
Width	32 bits
Access Type	rw
Reset Value	0x00000002
Description	Binary Point Register

Register ICCBPR Details

Field Name	Bits	Type	Reset Value	Description
reserved (GIC_CPUID)	31:3	rw	0x0	reserved
Binary_point (MASK)	2:0	rw	0x2	The value of this field controls the 8-bit interrupt priority field is split into a group priority field, used to determine interrupt preemption, and a subpriority field.

Register ([mpcore](#)) ICCIAR

Name	ICCIAR
Software Name	GIC_INT_ACK
Relative Address	0x0000010C
Absolute Address	0xF8F0010C
Width	32 bits
Access Type	rw
Reset Value	0x000003FF
Description	Interrupt Acknowledge Register

Register ICCIAR Details

Field Name	Bits	Type	Reset Value	Description
reserved	31:13	rw	0x0	reserved
CPUID	12:10	rw	0x0	Identifies the processor that requested the interrupt. Returns the number of the CPU interface that made the request.
ACKINTID (GIC_ACK_INTID)	9:0	rw	0x3FF	The interrupt ID. This read acts as an acknowledge for the interrupt.

Register ([mpcore](#)) ICCEOIR

Name	ICCEOIR
Software Name	GIC_EOI
Relative Address	0x00000110
Absolute Address	0xF8F00110
Width	32 bits
Access Type	rw
Reset Value	0x00000000
Description	End Of Interrupt Register

Register ICCEOIR Details

Field Name	Bits	Type	Reset Value	Description
reserved	31:13	rw	0x0	reserved
CPUID	12:10	rw	0x0	On completion of the processing of an SGI, this field contains the CPUID value from the corresponding ICCIAR access.
EOIINTID (INTID)	9:0	rw	0x0	The ACKINTID value from the corresponding ICCIAR access.

Register ([mpcore](#)) ICCRPR

Name	ICCRPR
Software Name	GIC_RUN_PRIOR
Relative Address	0x00000114
Absolute Address	0xF8F00114
Width	32 bits

Access Type                rw  
 Reset Value               0x000000FF  
 Description                Running Priority Register

Register ICCRPR Details

Field Name	Bits	Type	Reset Value	Description
reserved	31:8	rw	0x0	reserved
Priority (GIC_RUN_PRIORITY)	7:0	rw	0xFF	The priority value of the highest priority interrupt that is active on the CPU interface.

Register ([mpcore](#)) ICCHPIR

Name                        ICCHPIR  
 Software Name              GIC\_HI\_PEND  
 Relative Address            0x00000118  
 Absolute Address            0xF8F00118  
 Width                       32 bits  
 Access Type                rw  
 Reset Value                0x000003FF  
 Description                Highest Pending Interrupt Register

Register ICCHPIR Details

Field Name	Bits	Type	Reset Value	Description
reserved	31:13	rw	0x0	reserved
CPUID (GIC_CPUID)	12:10	rw	0x0	If the PENDINTID field returns the ID of an SGI, this field contains the CPUID value for that interrupt. The identifies the processor that generated the interrupt.
PENDINTID (GIC_PEND_INTID)	9:0	rw	0x3FF	The interrupt ID of the highest priority pending interrupt.

Register ([mpcore](#)) ICCABPR

Name                        ICCABPR  
 Software Name              GIC\_ALIAS\_BIN\_PT  
 Relative Address            0x0000011C

Absolute Address      0xF8F0011C  
 Width                    32 bits  
 Access Type            rw  
 Reset Value            0x00000003  
 Description            Aliased Non-secure Binary Point Register

#### Register ICCABPR Details

Field Name	Bits	Type	Reset Value	Description
reserved	31:3	rw	0x0	reserved
Binary_point	2:0	rw	0x3	Provides an alias of the Non-secure ICCBPR.

#### Register ([mpcore](#)) ICCIDR

Name                    ICCIDR  
 Relative Address      0x000001FC  
 Absolute Address      0xF8F001FC  
 Width                    32 bits  
 Access Type            ro  
 Reset Value            0x3901243B  
 Description            CPU Interface Implementer Identification Register

#### Register ICCIDR Details

Field Name	Bits	Type	Reset Value	Description
Part_number	31:20	ro	0x390	Identifies the peripheral
Architecture_version	19:16	ro	0x1	Identifies the architecture version
Revision_number	15:12	ro	0x2	Returns the revision number of the Interrupt Controller. The implementer defines the format of this field.
Implementer	11:0	ro	0x43B	Returns the JEP106 code of the company that implemented the Cortex-A9 processor interface RTL. It uses the following construct: [11:8] the JEP106 continuation code of the implementer [7] 0 [6:0] the JEP106 code [6:0] of the implementer



### Register ([mpcore](#)) Global\_Timer\_Counter\_Register0

Name	Global_Timer_Counter_Register0
Relative Address	0x00000200
Absolute Address	0xF8F00200
Width	32 bits
Access Type	rw
Reset Value	0x00000000
Description	Global Timer Counter Register 0

Note: This register is the first in an array of 2 identical registers listed in the table below. The details provided in this section apply to the entire array.

Name	Address
Global_Timer_Counter_Register0	0xf8f00200
Global_Timer_Counter_Register1	0xf8f00204

#### Register Global\_Timer\_Counter\_Register0 to Global\_Timer\_Counter\_Register1 Details

Field Name	Bits	Type	Reset Value	Description
	31:0	rw	0x0	<p>There are two timer counter registers. They are the lower 32-bit timer counter at offset 0x00 and the upper 32-bit timer counter at offset 0x04.</p> <p>You must access these registers with 32-bit accesses. You cannot use STRD/LDRD.</p> <p>To modify the register proceed as follows:</p> <ol style="list-style-type: none"> <li>1. Clear the timer enable bit in the Global Timer Control Register</li> <li>2. Write the lower 32-bit timer counter register</li> <li>3. Write the upper 32-bit timer counter register</li> <li>4. Set the timer enable bit.</li> </ol> <p>To get the value from the Global Timer Counter register proceed as follows:</p> <ol style="list-style-type: none"> <li>1. Read the upper 32-bit timer counter register</li> <li>2. Read the lower 32-bit timer counter register</li> <li>3. Read the upper 32-bit timer counter register again. If the value is different to the 32-bit upper value read previously, go back to step 2. Otherwise the 64-bit timer counter value is correct.</li> </ol>

Register ([mpcore](#)) Global\_Timer\_Control\_Register

Name Global\_Timer\_Control\_Register  
 Relative Address 0x00000208  
 Absolute Address 0xF8F00208  
 Width 32 bits  
 Access Type rw  
 Reset Value 0x00000000  
 Description Global Timer Control Register

Register Global\_Timer\_Control\_Register Details

Field Name	Bits	Type	Reset Value	Description
reserved	31:16	rw	0x0	Reserved
Prescaler	15:8	rw	0x0	The prescaler modifies the clock period for the decrementing event for the Counter Register. See Calculating timer intervals on page 4-2 for the equation
reserved	7:4	rw	0x0	Reserved
	3	rw	0x0	This bit is banked per Cortex-A9 processor. 1'b0: single shot mode. When the counter reaches the comparator value, sets the event flag. It is the responsibility of software to update the comparator value to get further events. 1'b1: auto increment mode. Each time the counter reaches the comparator value, the comparator register is incremented with the auto-increment register, so that further events can be set periodically without any software updates.
IRQ_Enable	2	rw	0x0	This bit is banked per Cortex-A9 processor. If set, the interrupt ID 27 is set as pending in the Interrupt Distributor when the event flag is set in the Timer Status Register.

Field Name	Bits	Type	Reset Value	Description
Comp_Enablea	1	rw	0x0	This bit is banked per Cortex-A9 processor. If set, it allows the comparison between the 64-bit Timer Counter and the related 64-bit Comparator Register.
Timer_Enable	0	rw	0x0	Timer enable 1'b0 = Timer is disabled and the counter does not increment. All registers can still be read and written 1'b1 = Timer is enabled and the counter increments normally

### Register ([mpcore](#)) Global\_Timer\_Interrupt\_Status\_Register

Name	Global_Timer_Interrupt_Status_Register
Relative Address	0x0000020C
Absolute Address	0xF8F0020C
Width	32 bits
Access Type	rw
Reset Value	0x00000000
Description	Global Timer Interrupt Status Register

#### Register Global\_Timer\_Interrupt\_Status\_Register Details

Field Name	Bits	Type	Reset Value	Description
reserved	31:1	rw	0x0	UNK/SBZP
Event_flag	0	rw	0x0	This is a banked register for all Cortex-A9 processors present. The event flag is a sticky bit that is automatically set when the Counter Register reaches the Comparator Register value. If the timer interrupt is enabled, Interrupt ID 27 is set as pending in the Interrupt Distributor after the event flag is set. The event flag is cleared when written to 1. Figure 4-7 shows the Global Timer Interrupt Status Register bit assignment.

### Register ([mpcore](#)) Comparator\_Value\_Register0

Name	Comparator_Value_Register0
Relative Address	0x00000210

Absolute Address	0xF8F00210
Width	32 bits
Access Type	rw
Reset Value	0x00000000
Description	Comparator Value Register_0

Note: This register is the first in an array of 2 identical registers listed in the table below. The details provided in this section apply to the entire array.

Name	Address
Comparator_Value_Register0	0xf8f00210
Comparator_Value_Register1	0xf8f00214

Register Comparator\_Value\_Register0 to Comparator\_Value\_Register1 Details

Field Name	Bits	Type	Reset Value	Description
	31:0	rw	0x0	<p>There are two 32-bit registers, the lower 32-bit comparator value register at offset 0x10 and the upper 32-bit comparator value register at offset 0x14.</p> <p>You must access these registers with 32-bit accesses. You cannot use STRD/LDRD. There is a Comparator Value Register for each Cortex-A9 processor.</p> <p>To ensure that updates to this register do not set the Interrupt Status Register proceed as follows:</p> <ol style="list-style-type: none"> <li>1. Clear the Comp Enable bit in the Timer Control Register.</li> <li>2. Write the lower 32-bit Comparator Value Register.</li> <li>3. Write the upper 32-bit Comparator Value Register.</li> <li>4. Set the Comp Enable bit and, if necessary, the IRQ enable bit.</li> </ol>

Register ([mpcore](#)) Auto\_increment\_Register

Name	Auto_increment_Register
Relative Address	0x00000218
Absolute Address	0xF8F00218
Width	32 bits

Access Type                rw  
 Reset Value               0x00000000  
 Description                Auto-increment Register

Register Auto\_increment\_Register Details

Field Name	Bits	Type	Reset Value	Description
	31:0	rw	0x0	Auto-increment Register This 32-bit register gives the increment value of the Comparator Register when the Auto-increment bit is set in the Timer Control Register. Each Cortex-A9 processor present has its own Auto-increment Register. If the comp enable and auto-increment bits are set when the global counter reaches the Comparator Register value, the comparator is incremented by the auto-increment value, so that a new event can be set periodically. The global timer is not affected and goes on incrementing

Register ([mpcore](#)) Private\_Timer\_Load\_Register

Name                        Private\_Timer\_Load\_Register  
 Software Name              TIMER\_LOAD  
 Relative Address           0x00000600  
 Absolute Address          0xF8F00600  
 Width                      32 bits  
 Access Type                rw  
 Reset Value                0x00000000  
 Description                Private Timer Load Register

Register Private\_Timer\_Load\_Register Details

Field Name	Bits	Type	Reset Value	Description
	31:0	rw	0x0	The Timer Load Register contains the value copied to the Timer Counter Register when it decrements down to zero with auto reload mode enabled. Writing to the Timer Load Register means that you also write to the Timer Counter Register.

### Register ([mpcore](#)) Private\_Timer\_Counter\_Register

Name	Private_Timer_Counter_Register
Software Name	TIMER_COUNTER
Relative Address	0x00000604
Absolute Address	0xF8F00604
Width	32 bits
Access Type	rw
Reset Value	0x00000000
Description	Private Timer Counter Register

#### Register Private\_Timer\_Counter\_Register Details

Field Name	Bits	Type	Reset Value	Description
	31:0	rw	0x0	<p>The Timer Counter Register is a decrementing counter.</p> <p>The Timer Counter Register decrements if the timer is enabled using the timer enable bit in the Timer Control Register. If a Cortex-A9 processor timer is in debug state, the counter only decrements when the Cortex-A9 processor returns to non debug state.</p> <p>When the Timer Counter Register reaches zero and auto reload mode is enabled, it reloads the value in the Timer Load Register and then decrements from that value. If auto reload mode is not enabled, the Timer Counter Register decrements down to zero and stops.</p> <p>When the Timer Counter Register reaches zero, the timer interrupt status event flag is set and the interrupt ID 29 is set as pending in the Interrupt Distributor, if interrupt generation is enabled in the Timer Control Register.</p> <p>Writing to the Timer Counter Register or Timer Load Register forces the Timer Counter Register to decrement from the newly written value.</p>

### Register ([mpcore](#)) Private\_Timer\_Control\_Register

Name	Private_Timer_Control_Register
Software Name	TIMER_CONTROL

Relative Address 0x00000608  
 Absolute Address 0xF8F00608  
 Width 32 bits  
 Access Type rw  
 Reset Value 0x00000000  
 Description Private Timer Control Register

Register Private\_Timer\_Control\_Register Details

Field Name	Bits	Type	Reset Value	Description
SBZP	31:16	rw	0x0	UNK/SBZP.
Prescaler (PRESCALER)	15:8	rw	0x0	The prescaler modifies the clock period for the decrementing event for the Counter Register. See Calculating timer intervals on page 4-2 for the equation. \
UNK_SBZP	7:3	rw	0x0	UNK/SBZP.
IRQ_Enable (IRQ_ENABLE)	2	rw	0x0	If set, the interrupt ID 29 is set as pending in the Interrupt Distributor when the event flag is set in the Timer Status Register.
Auto_reload (AUTO_RELOAD)	1	rw	0x0	1'b0 = Single shot mode. Counter decrements down to zero, sets the event flag and stops. 1'b1 = Auto-reload mode. Each time the Counter Register reaches zero, it is reloaded with the value contained in the Timer Load Register.
Timer_Enable (ENABLE)	0	rw	0x0	Timer enable 1'b0 = Timer is disabled and the counter does not decrement. All registers can still be read and written 1'b1 = Timer is enabled and the counter decrements normally

Register ([mpcore](#)) Private\_Timer\_Interrupt\_Status\_Register

Name Private\_Timer\_Interrupt\_Status\_Register  
 Software Name TIMER\_ISR  
 Relative Address 0x0000060C  
 Absolute Address 0xF8F0060C  
 Width 32 bits  
 Access Type rw

Reset Value 0x00000000  
 Description Private Timer Interrupt Status Register

Register Private\_Timer\_Interrupt\_Status\_Register Details

Field Name	Bits	Type	Reset Value	Description
UNK_SBZP	31:1	rw	0x0	UNK/SBZP
	0	rw	0x0	This is a banked register for all Cortex-A9 processors present. The event flag is a sticky bit that is automatically set when the Counter Register reaches zero. If the timer interrupt is enabled, Interrupt ID 29 is set as pending in the Interrupt Distributor after the event flag is set. The event flag is cleared when written to 1.

Register ([mpcore](#)) Watchdog\_Load\_Register

Name Watchdog\_Load\_Register  
 Software Name WDT\_LOAD  
 Relative Address 0x00000620  
 Absolute Address 0xF8F00620  
 Width 32 bits  
 Access Type rw  
 Reset Value 0x00000000  
 Description Watchdog Load Register

Register Watchdog\_Load\_Register Details

Field Name	Bits	Type	Reset Value	Description
	31:0	rw	0x0	Watchdog Load Register The Watchdog Load Register contains the value copied to the Watchdog Counter Register when it decrements down to zero with auto reload mode enabled, in Timer mode. Writing to the Watchdog Load Register means that you also write to the Watchdog Counter Register

Register ([mpcore](#)) Watchdog\_Counter\_Register

Name Watchdog\_Counter\_Register



Software Name	WDT_COUNTER
Relative Address	0x00000624
Absolute Address	0xF8F00624
Width	32 bits
Access Type	rw
Reset Value	0x00000000
Description	Watchdog Counter Register

Register Watchdog\_Counter\_Register Details

Field Name	Bits	Type	Reset Value	Description
	31:0	rw	0x0	<p>Watchdog Counter Register</p> <p>The Watchdog Counter Register is a down counter.</p> <p>It decrements if the Watchdog is enabled using the Watchdog enable bit in the Watchdog Control Register. If the Cortex-A9 processor associated with the Watchdog is in debug state, the counter does not decrement until the Cortex-A9 processor returns to non debug state.</p> <p>When the Watchdog Counter Register reaches zero and auto reload mode is enabled, and in timer mode, it reloads the value in the Watchdog Load Register and then decrements from that value. If auto reload mode is not enabled or the watchdog is not in timer mode, the Watchdog Counter Register decrements down to zero and stops.</p> <p>When in watchdog mode the only way to update the Watchdog Counter Register is to write to the Watchdog Load Register. When in timer mode the Watchdog Counter Register is write accessible.</p> <p>The behavior of the watchdog when the Watchdog Counter Register reaches zero depends on its current mode:</p> <p>Timer mode When the Watchdog Counter Register reaches zero, the watchdog interrupt status event flag is set and the interrupt ID 30 is set as pending in the Interrupt Distributor, if interrupt generation is enabled in the Watchdog Control Register.</p> <p>Watchdog mode</p> <p>If a software failure prevents the Watchdog Counter Register from being refreshed, the Watchdog Counter Register reaches zero, the Watchdog reset status flag is set and the associated WDRESETREQ reset request output pin is asserted. The external reset source is then responsible for resetting all or part of the Cortex-A9 MPCore design.</p>

### Register ([mpcore](#)) Watchdog\_Control\_Register

Name	Watchdog_Control_Register
Software Name	WDT_CONTROL
Relative Address	0x00000628
Absolute Address	0xF8F00628
Width	32 bits
Access Type	rw
Reset Value	0x00000000
Description	Watchdog Control Register

#### Register Watchdog\_Control\_Register Details

Field Name	Bits	Type	Reset Value	Description
reserved	31:16	rw	0x0	Reserved.
Prescaler (PRESCALER)	15:8	rw	0x0	The prescaler modifies the clock period for the decrementing event for the Counter Register.
	7:4	rw	0x0	Reserved.
Watchdog_mode (WD_MODE)	3	rw	0x0	1'b0 = Timer mode, default Writing a zero to this bit has no effect. You must use the Watchdog Disable Register to put the watchdog into timer mode. See Watchdog Disable Register on page 4-9. 1'b1 = Watchdog mode.
IT_Enable (IT_ENABLE)	2	rw	0x0	If set, the interrupt ID 30 is set as pending in the Interrupt Distributor when the event flag is set in the watchdog Status Register. In watchdog mode this bit is ignored
Auto_reload (AUTO_RELOAD)	1	rw	0x0	1'b0 = Single shot mode. Counter decrements down to zero, sets the event flag and stops. 1'b1 = Auto-reload mode. Each time the Counter Register reaches zero, it is reloaded with the value contained in the Load Register and then continues decrementing.
Watchdog_Enable (WD_ENABLE)	0	rw	0x0	Global watchdog enable 1'b0 = Watchdog is disabled and the counter does not decrement. All registers can still be read and /or written 1'b1 = Watchdog is enabled and the counter decrements normally.

### Register ([mpcore](#)) Watchdog\_Interrupt\_Status\_Register

Name	Watchdog_Interrupt_Status_Register
Software Name	WDT_ISR
Relative Address	0x0000062C
Absolute Address	0xF8F0062C
Width	32 bits
Access Type	rw
Reset Value	0x00000000
Description	Watchdog Interrupt Status Register

#### Register Watchdog\_Interrupt\_Status\_Register Details

Field Name	Bits	Type	Reset Value	Description
reserved	31:1	rw	0x0	Reserved
Event_flag (EVENT_FLAG)	0	rw	0x0	The event flag is a sticky bit that is automatically set when the Counter Register reaches zero in timer mode. If the watchdog interrupt is enabled, Interrupt ID 30 is set as pending in the Interrupt Distributor after the event flag is set. The event flag is cleared when written with a value of 1. Trying to write a zero to the event flag or a one when it is not set has no effect.

### Register ([mpcore](#)) Watchdog\_Reset\_Status\_Register

Name	Watchdog_Reset_Status_Register
Software Name	WDT_RST_STS
Relative Address	0x00000630
Absolute Address	0xF8F00630
Width	32 bits
Access Type	rw
Reset Value	0x00000000
Description	Watchdog Reset Status Register

Register Watchdog\_Reset\_Status\_Register Details

Field Name	Bits	Type	Reset Value	Description
reserved	31:1	rw	0x0	Reserved. Writes are ignored, read data is always zero.
Reset_flag (RESET_FLAG)	0	rw	0x0	<p>The reset flag is a sticky bit that is automatically set when the Counter Register reaches zero and a reset request is sent accordingly. (In watchdog mode)</p> <p>The reset flag is cleared when written with a value of 1. Trying to write a zero to the reset flag or a one when it is not set has no effect. This flag is not reset by normal Cortex-A9 processor resets but has its own reset line, nWDRESET. nWDRESET must not be asserted when the Cortex-A9 processor reset assertion is the result of a watchdog reset request with WDRESETREQ. This distinction enables software to differentiate between a normal boot sequence, reset flag is zero, and one caused by a previous watchdog time-out, reset flag set to one.</p>

Register ([mpcore](#)) Watchdog\_Disable\_Register

Name	Watchdog_Disable_Register
Software Name	WDT_DISABLE
Relative Address	0x00000634
Absolute Address	0xF8F00634
Width	32 bits
Access Type	rw
Reset Value	0x00000000
Description	Watchdog Disable Register

Register Watchdog\_Disable\_Register Details

Field Name	Bits	Type	Reset Value	Description
	31:0	rw	0x0	<p>Watchdog Disable Register</p> <p>Use the Watchdog Disable Register to switch from watchdog to timer mode. The software must write 0x12345678 then 0x87654321 successively to the Watchdog Disable Register so that the watchdog mode bit in the Watchdog Control Register is set to zero.</p> <p>If one of the values written to the Watchdog Disable Register is incorrect or if any other write occurs in between the two word writes, the watchdog remains in its current state.</p> <p>To reactivate the Watchdog, the software must write 1 to the watchdog mode bit of the Watchdog Control Register.</p>

Register ([mpcore](#)) ICDDCR

Name	ICDDCR
Software Name	GIC_DIST_EN
Relative Address	0x00001000
Absolute Address	0xF8F01000
Width	32 bits
Access Type	rw
Reset Value	0x00000000
Description	Distributor Control Register

Register ICDDCR Details

Field Name	Bits	Type	Reset Value	Description
reserved	31:2	rw	0x0	Reserved. Writes are ignored, read data is always zero.

Field Name	Bits	Type	Reset Value	Description
Enable_Non_secure	1	rw	0x0	0 = disables all Non-secure interrupts control bits in the distributor from changing state because of any external stimulus change that occurs on the corresponding SPI or PPI signals 1 = enables the distributor to update register locations for Non-secure interrupts FOR: ICDDCR_for_Non_secure_mode 31,1 --> Reserved. Writes are ignored, read data is always zero.
Enable_secure (GIC_EN_INT)	0	rw	0x0	0 = disables all Secure interrupt control bits in the distributor from changing state because of any external stimulus change that occurs on the corresponding SPI or PPI signals. 1 = enables the distributor to update register locations for Secure interrupts. FOR: ICDDCR_for_Non_secure_mode 0 --> Enable_Non_secure --> 0 = disables all Non-secure interrupts control bits in the distributor from changing state because of any external stimulus change that occurs on the corresponding SPI or PPI signals 1 = enables the distributor to update register locations for Non-secure interrupts

### Register ([mpcore](#)) ICDICTR

Name	ICDICTR
Software Name	GIC_IC_TYPE
Relative Address	0x00001004
Absolute Address	0xF8F01004
Width	32 bits
Access Type	ro
Reset Value	0x0000FC22
Description	Interrupt Controller Type Register

Register ICDICTR Details

Field Name	Bits	Type	Reset Value	Description
reserved	31:29	ro	0x0	Reserved. Writes are ignored, read data is always zero.
LSPI (GIC_LSPI)	15:11	ro	0x1F	Returns the number of Lockable Shared Peripheral Interrupts (LSPIs) that the controller contains. The encoding is: b1111 = 31 LSPIs, which are the interrupts of IDs 32-62. When CFGSDISABLE is HIGH then the interrupt controller prevents writes to any register locations that control the operating state of an LSPI.
SecurityExtn (GIC_DOMAIN)	10	ro	0x1	Returns the number of security domains that the controller contains: 1 = the controller contains two security domains. This bit always returns the value one.
SBZ	9:8	ro	0x0	Reserved
CPU_Number (GIC_CPU_NUM)	7:5	ro	0x1	The encoding is: b000 the Cortex-A9 MPCore configuration contains one Cortex-A9 processor. b001 the Cortex-A9 MPCore configuration contains two Cortex-A9 processors. b010 the Cortex-A9 MPCore configuration contains three Cortex-A9 processors. b011 the Cortex-A9 MPCore configuration contains four Cortex-A9 processors. b1xx: Unused values.
IT_Lines_Number (GIC_NUM_INT)	4:0	ro	0x2	The encoding is: b00000 = the distributor provides 32 interrupts, no external interrupt lines. b00001 = the distributor provides 64 interrupts, 32 external interrupt lines. b00010 = the distributor provides 96 interrupts, 64 external interrupt lines. b00011 = the distributor provide 128 interrupts, 96 external interrupt lines. b00100 = the distributor provides 160 interrupts, 128 external interrupt lines. b00101 = the distributor provides 192 interrupts, 160 external interrupt lines. b00110 = the distributor provides 224 interrupts, 192 external interrupt lines. b00111 = the distributor provides 256 interrupts, 224 external interrupt lines. All other values not used.



### Register ([mpcore](#)) ICDIIDR

Name	ICDIIDR
Software Name	GIC_DIST_IDENT
Relative Address	0x00001008
Absolute Address	0xF8F01008
Width	32 bits
Access Type	ro
Reset Value	0x0102043B
Description	Distributor Implementer Identification Register

#### Register ICDIIDR Details

Field Name	Bits	Type	Reset Value	Description
Implementation_Version	31:24	ro	0x1	Gives implementation version number
Revision_Number (GIC_REV)	23:12	ro	0x20	Return the revision number of the controller
Implementer (GIC_IMPL)	11:0	ro	0x43B	Implementer Number

### Register ([mpcore](#)) ICDISR0

Name	ICDISR0
Software Name	GIC_SECURITY0
Relative Address	0x00001080
Absolute Address	0xF8F01080
Width	32 bits
Access Type	rw
Reset Value	0x00000000
Description	Interrupt Security Register_0

Note: This register is the first in an array of 3 identical registers listed in the table below. The details provided in this section apply to the entire array.

Name	Address
ICDISR0	0xf8f01080
ICDISR1	0xf8f01084
ICDISR2	0xf8f01088

Register ICDISR0 to ICDISR2 Details

Field Name	Bits	Type	Reset Value	Description
Security_Status (GIC_INT_NS)	31:0	rw	0x0	The ICDISRn provide a Security status bit for each interrupt supported by the GIC. Each bit controls the security status of the corresponding interrupt. Accessible by Secure accesses only. The register addresses are RAZ/WI to Non-secure accesses. ICDISR0 is banked for each connected processor.

Register ([mpcore](#)) ICDISER0

Name	ICDISER0
Software Name	GIC_ENABLE_SET
Relative Address	0x00001100
Absolute Address	0xF8F01100
Width	32 bits
Access Type	rw
Reset Value	0x0000FFFF
Description	Interrupt Set-enable Register 0

Register ICDISER0 Details

Field Name	Bits	Type	Reset Value	Description
Set (GIC_INT_EN)	31:0	rw	0xFFFF	The ICDISERs provide a Set-enable bit for each interrupt supported by the GIC. Writing 1 to a Set-enable bit enables forwarding of the corresponding interrupt to the CPU interfaces. A register bit that corresponds to a Secure interrupt is RAZ/WI to Non-secure access. ICDISER0 is banked for each connected processor.

Register ([mpcore](#)) ICDISER1

Name	ICDISER1
Relative Address	0x00001104
Absolute Address	0xF8F01104
Width	32 bits
Access Type	rw

Reset Value 0x00000000  
 Description Interrupt Set-enable Register 1

Register ICDISER1 Details

Field Name	Bits	Type	Reset Value	Description
Set	31:0	rw	0x0	The ICDISERs provide a Set-enable bit for each interrupt supported by the GIC. Writing 1 to a Set-enable bit enables forwarding of the corresponding interrupt to the CPU interfaces. A register bit that corresponds to a Secure interrupt is RAZ/WI to Non-secure access.

Register ([mpcore](#)) ICDISER2

Name ICDISER2  
 Relative Address 0x00001108  
 Absolute Address 0xF8F01108  
 Width 32 bits  
 Access Type rw  
 Reset Value 0x00000000  
 Description Interrupt Set-enable Register 2

Register ICDISER2 Details

Field Name	Bits	Type	Reset Value	Description
Set	31:0	rw	0x0	The ICDISERs provide a Set-enable bit for each interrupt supported by the GIC. Writing 1 to a Set-enable bit enables forwarding of the corresponding interrupt to the CPU interfaces. A register bit that corresponds to a Secure interrupt is RAZ/WI to Non-secure access.

Register ([mpcore](#)) ICDICER0

Name ICDICER0  
 Software Name GIC\_DISABLE  
 Relative Address 0x00001180  
 Absolute Address 0xF8F01180  
 Width 32 bits  
 Access Type rw

Reset Value 0x0000FFFF  
 Description Interrupt Clear-Enable Register 0

Register ICDICER0 Details

Field Name	Bits	Type	Reset Value	Description
Clear (GIC_INT_CLR)	31:0	rw	0xFFFF	The ICDICERs provide a Clear-enable bit for each interrupt supported by the GIC. Writing 1 to a Clear-enable bit disables forwarding of the corresponding interrupt to the CPU interfaces. A register bit that corresponds to a Secure interrupt is RAZ/WI to Non-secure accesses. ICDICER0 is banked for each connected processor.

Register ([mpcore](#)) ICDICER1

Name ICDICER1  
 Relative Address 0x00001184  
 Absolute Address 0xF8F01184  
 Width 32 bits  
 Access Type rw  
 Reset Value 0x00000000  
 Description Interrupt Clear-Enable Register 1

Register ICDICER1 Details

Field Name	Bits	Type	Reset Value	Description
Clear	31:0	rw	0x0	The ICDICERs provide a Clear-enable bit for each interrupt supported by the GIC. Writing 1 to a Clear-enable bit disables forwarding of the corresponding interrupt to the CPU interfaces. A register bit that corresponds to a Secure interrupt is RAZ/WI to Non-secure accesses.

Register ([mpcore](#)) ICDICER2

Name ICDICER2  
 Relative Address 0x00001188  
 Absolute Address 0xF8F01188  
 Width 32 bits

Access Type                rw  
 Reset Value                0x00000000  
 Description                Interrupt Clear-Enable Register 2

Register ICDICER2 Details

Field Name	Bits	Type	Reset Value	Description
Clear	31:0	rw	0x0	The ICDICERs provide a Clear-enable bit for each interrupt supported by the GIC. Writing 1 to a Clear-enable bit disables forwarding of the corresponding interrupt to the CPU interfaces. A register bit that corresponds to a Secure interrupt is RAZ/WI to Non-secure accesses.

Register ([mpcore](#)) ICDISPR0

Name                        ICDISPR0  
 Software Name                GIC\_PENDING\_SET0  
 Relative Address                0x00001200  
 Absolute Address                0xF8F01200  
 Width                        32 bits  
 Access Type                rw  
 Reset Value                0x00000000  
 Description                Interrupt Set-pending Register\_0

Note: This register is the first in an array of 3 identical registers listed in the table below. The details provided in this section apply to the entire array.

Name	Address
ICDISPR0	0xf8f01200
ICDISPR1	0xf8f01204
ICDISPR2	0xf8f01208

Register ICDISPR0 to ICDISPR2 Details

Field Name	Bits	Type	Reset Value	Description
Set (GIC_PEND_SET)	31:0	rw	0x0	The ICDISPRs provide a Set-pending bit for each interrupt supported by the GIC. Writing 1 to a Set-pending bit sets the status of the corresponding peripheral interrupt to pending. A register bit that corresponds to a Secure interrupt is RAZ/WI to Non-secure accesses. ICDISPR0 is banked for each connected processor.

Register ([mpcore](#)) ICDICPR0

Name	ICDICPR0
Software Name	GIC_PENDING_CLR0
Relative Address	0x00001280
Absolute Address	0xF8F01280
Width	32 bits
Access Type	rw
Reset Value	0x00000000
Description	Interrupt Clear-Pending Register_0

Note: This register is the first in an array of 3 identical registers listed in the table below. The details provided in this section apply to the entire array.

Name	Address
ICDICPR0	0xf8f01280
ICDICPR1	0xf8f01284
ICDICPR2	0xf8f01288

Register ICDICPR0 to ICDICPR2 Details

Field Name	Bits	Type	Reset Value	Description
Clear (GIC_PEND_CLR)	31:0	rw	0x0	The ICDICPRs provide a Clear-pending bit for each interrupt supported by the GIC. Writing 1 to a Clear-pending bit clears the status of the corresponding peripheral interrupt to pending. A register bit that corresponds to a Secure interrupt is RAZ/WI to Non-secure accesses. ICDICPR0 is banked for each connected processor.

### Register ([mpcore](#)) ICDABR0

Name	ICDABR0
Software Name	GIC_ACTIVE0
Relative Address	0x00001300
Absolute Address	0xF8F01300
Width	32 bits
Access Type	rw
Reset Value	0x00000000
Description	Active Bit register_0

Note: This register is the first in an array of 3 identical registers listed in the table below. The details provided in this section apply to the entire array.

Name	Address
ICDABR0	0xf8f01300
ICDABR1	0xf8f01304
ICDABR2	0xf8f01308

#### Register ICDABR0 to ICDABR2 Details

Field Name	Bits	Type	Reset Value	Description
Active (MASK)	31:0	rw	0x0	<p>The ICDABRs provide an Active bit for each interrupt supported by the GIC.</p> <p>The bit reads as one if the status of the interrupt is active or active and pending.</p> <p>Read the ICDSR or ICDCPR to find the pending status of the interrupt.</p> <p>ICDABR0 is banked for each connected processor.</p>

### Register ([mpcore](#)) ICDIPR0

Name	ICDIPR0
Software Name	GIC_PRIORITY0
Relative Address	0x00001400
Absolute Address	0xF8F01400
Width	32 bits
Access Type	rw
Reset Value	0x00000000
Description	Interrupt Priority Register_0

Note: This register is the first in an array of 24 identical registers listed in the table below. The details provided in this section apply to the entire array.

<b>Name</b>	<b>Address</b>
ICDIPR0	0xf8f01400
ICDIPR1	0xf8f01404
ICDIPR2	0xf8f01408
ICDIPR3	0xf8f0140c
ICDIPR4	0xf8f01410
ICDIPR5	0xf8f01414
ICDIPR6	0xf8f01418
ICDIPR7	0xf8f0141c
ICDIPR8	0xf8f01420
ICDIPR9	0xf8f01424
ICDIPR10	0xf8f01428
ICDIPR11	0xf8f0142c
ICDIPR12	0xf8f01430
ICDIPR13	0xf8f01434
ICDIPR14	0xf8f01438
ICDIPR15	0xf8f0143c
ICDIPR16	0xf8f01440
ICDIPR17	0xf8f01444
ICDIPR18	0xf8f01448
ICDIPR19	0xf8f0144c
ICDIPR20	0xf8f01450
ICDIPR21	0xf8f01454
ICDIPR22	0xf8f01458
ICDIPR23	0xf8f0145c



Register ICDIPR0 to ICDIPR23 Details

Field Name	Bits	Type	Reset Value	Description
Priority (MASK)	31:0	rw	0x0	The ICDIPRs provide an 8-bit Priority field for each interrupt supported by the GIC; however, Zynq implemented only the upper 7 bits of each 8-bit field, i.e. supporting 128 levels, all even values. These registers are byte accessible.  A register field that corresponds to a Secure interrupt is RAZ/WI to Non-secure accesses. ICDIPR0 to ICDIPR7 are banked for each connected processor

Register ([mpcore](#)) ICDIPTR0

Name	ICDIPTR0
Software Name	GIC_SPI_TARGET
Relative Address	0x00001800
Absolute Address	0xF8F01800
Width	32 bits
Access Type	ro
Reset Value	0x00000000
Description	Interrupt Processor Targets Register 0

Register ICDIPTR0 Details

The ICDIPTR0 register is used to indicate the targets of interrupts ID#0-ID#3.

Field Name	Bits	Type	Reset Value	Description
target_3 (GIC_SPI_CPUn)	25:24	ro	0x0	Targeted CPU(s) for interrupt ID#3 01: CPU 0 targeted (CPU 0 always reads this value) 10: CPU 1 targeted (CPU 1 always reads this value)
target_2 (GIC_SPI_CPUn)	17:16	ro	0x0	Targeted CPU(s) for interrupt ID#2 01: CPU 0 targeted (CPU 0 always reads this value) 10: CPU 1 targeted (CPU 1 always reads this value)

Field Name	Bits	Type	Reset Value	Description
target_1 (GIC_SPI_CPUn)	9:8	ro	0x0	Targeted CPU(s) for interrupt ID#1 01: CPU 0 targeted (CPU 0 always reads this value) 10: CPU 1 targeted (CPU 1 always reads this value)
target_0 (GIC_SPI_CPUn)	1:0	ro	0x0	Targeted CPU(s) for interrupt ID#0 01: CPU 0 targeted (CPU 0 always reads this value) 10: CPU 1 targeted (CPU 1 always reads this value)

### Register ([mpcore](#)) ICDIPTR1

Name	ICDIPTR1
Software Name	GIC_SPI_TARGET
Relative Address	0x00001804
Absolute Address	0xF8F01804
Width	32 bits
Access Type	ro
Reset Value	0x00000000
Description	Interrupt Processor Targets Register 1

#### Register ICDIPTR1 Details

The ICDIPTR1 register is used to indicate the targets of interrupts ID#4-ID#7.

Field Name	Bits	Type	Reset Value	Description
target_7 (GIC_SPI_CPUn)	25:24	ro	0x0	Targeted CPU(s) for interrupt ID#7 01: CPU 0 targeted (CPU 0 always reads this value) 10: CPU 1 targeted (CPU 1 always reads this value)
target_6 (GIC_SPI_CPUn)	17:16	ro	0x0	Targeted CPU(s) for interrupt ID#6 01: CPU 0 targeted (CPU 0 always reads this value) 10: CPU 1 targeted (CPU 1 always reads this value)

Field Name	Bits	Type	Reset Value	Description
target_5 (GIC_SPI_CPUn)	9:8	ro	0x0	Targeted CPU(s) for interrupt ID#5 01: CPU 0 targeted (CPU 0 always reads this value) 10: CPU 1 targeted (CPU 1 always reads this value)
target_4 (GIC_SPI_CPUn)	1:0	ro	0x0	Targeted CPU(s) for interrupt ID#4 01: CPU 0 targeted (CPU 0 always reads this value) 10: CPU 1 targeted (CPU 1 always reads this value)

### Register ([mpcore](#)) ICDIPTR2

Name	ICDIPTR2
Software Name	GIC_SPI_TARGET
Relative Address	0x00001808
Absolute Address	0xF8F01808
Width	32 bits
Access Type	ro
Reset Value	0x00000000
Description	Interrupt Processor Targets Register 2

#### Register ICDIPTR2 Details

The ICDIPTR2 register is used to indicate the targets of interrupts ID#8-ID#11.

Field Name	Bits	Type	Reset Value	Description
target_11 (GIC_SPI_CPUn)	25:24	ro	0x0	Targeted CPU(s) for interrupt ID#11 01: CPU 0 targeted (CPU 0 always reads this value) 10: CPU 1 targeted (CPU 1 always reads this value)
target_10 (GIC_SPI_CPUn)	17:16	ro	0x0	Targeted CPU(s) for interrupt ID#10 01: CPU 0 targeted (CPU 0 always reads this value) 10: CPU 1 targeted (CPU 1 always reads this value)

Field Name	Bits	Type	Reset Value	Description
target_9 (GIC_SPI_CPUn)	9:8	ro	0x0	Targeted CPU(s) for interrupt ID#9 01: CPU 0 targeted (CPU 0 always reads this value) 10: CPU 1 targeted (CPU 1 always reads this value)
target_8 (GIC_SPI_CPUn)	1:0	ro	0x0	Targeted CPU(s) for interrupt ID#8 01: CPU 0 targeted (CPU 0 always reads this value) 10: CPU 1 targeted (CPU 1 always reads this value)

### Register ([mpcore](#)) ICDIPTR3

Name	ICDIPTR3
Software Name	GIC_SPI_TARGET
Relative Address	0x0000180C
Absolute Address	0xF8F0180C
Width	32 bits
Access Type	ro
Reset Value	0x00000000
Description	Interrupt Processor Targets Register 3

#### Register ICDIPTR3 Details

The ICDIPTR3 register is used to indicate the targets of interrupts ID#12-ID#15.

Field Name	Bits	Type	Reset Value	Description
target_15 (GIC_SPI_CPUn)	25:24	ro	0x0	Targeted CPU(s) for interrupt ID#15 01: CPU 0 targeted (CPU 0 always reads this value) 10: CPU 1 targeted (CPU 1 always reads this value)
target_14 (GIC_SPI_CPUn)	17:16	ro	0x0	Targeted CPU(s) for interrupt ID#14 01: CPU 0 targeted (CPU 0 always reads this value) 10: CPU 1 targeted (CPU 1 always reads this value)

Field Name	Bits	Type	Reset Value	Description
target_13 (GIC_SPI_CPUn)	9:8	ro	0x0	Targeted CPU(s) for interrupt ID#13 01: CPU 0 targeted (CPU 0 always reads this value) 10: CPU 1 targeted (CPU 1 always reads this value)
target_12 (GIC_SPI_CPUn)	1:0	ro	0x0	Targeted CPU(s) for interrupt ID#12 01: CPU 0 targeted (CPU 0 always reads this value) 10: CPU 1 targeted (CPU 1 always reads this value)

### Register ([mpcore](#)) ICDIPTR4

Name	ICDIPTR4
Software Name	GIC_SPI_TARGET
Relative Address	0x00001810
Absolute Address	0xF8F01810
Width	32 bits
Access Type	rw
Reset Value	0x00000000
Description	Interrupt Processor Targets Register 4

#### Register ICDIPTR4 Details

The ICDIPTR4 register always returns 0.

Field Name	Bits	Type	Reset Value	Description
reserved	31:0	rw	0x0	Reserved

### Register ([mpcore](#)) ICDIPTR5

Name	ICDIPTR5
Software Name	GIC_SPI_TARGET
Relative Address	0x00001814
Absolute Address	0xF8F01814
Width	32 bits
Access Type	ro
Reset Value	0x00000000
Description	Interrupt Processor Targets Register 5

### Register ICDIPTR5 Details

The ICDIPTR5 register always returns 0.

Field Name	Bits	Type	Reset Value	Description
reserved	31:0	ro	0x0	Reserved

### Register ([mpcore](#)) ICDIPTR6

Name	ICDIPTR6
Software Name	GIC_SPI_TARGET
Relative Address	0x00001818
Absolute Address	0xF8F01818
Width	32 bits
Access Type	ro
Reset Value	0x00000000
Description	Interrupt Processor Targets Register 6

### Register ICDIPTR6 Details

The ICDIPTR6 register is used to indicate the target of interrupt ID#27.

Field Name	Bits	Type	Reset Value	Description
target_27 (GIC_SPI_CPU <sub>n</sub> )	25:24	ro	0x0	Targeted CPU(s) for interrupt ID#27 01: CPU 0 targeted 10: CPU 1 targeted

### Register ([mpcore](#)) ICDIPTR7

Name	ICDIPTR7
Software Name	GIC_SPI_TARGET
Relative Address	0x0000181C
Absolute Address	0xF8F0181C
Width	32 bits
Access Type	ro
Reset Value	0x00000000
Description	Interrupt Processor Targets Register 7

### Register ICDIPTR7 Details

The ICDIPTR7 register is used to indicate the targets of interrupts ID#28-ID#31.

Field Name	Bits	Type	Reset Value	Description
target_31 (GIC_SPI_CPU <sub>n</sub> )	25:24	ro	0x0	Targeted CPU(s) for interrupt ID#31 01: CPU 0 targeted 10: CPU 1 targeted
target_30 (GIC_SPI_CPU <sub>n</sub> )	17:16	ro	0x0	Targeted CPU(s) for interrupt ID#30 01: CPU 0 targeted 10: CPU 1 targeted
target_29 (GIC_SPI_CPU <sub>n</sub> )	9:8	ro	0x0	Targeted CPU(s) for interrupt ID#29 01: CPU 0 targeted 10: CPU 1 targeted
target_28 (GIC_SPI_CPU <sub>n</sub> )	1:0	ro	0x0	Targeted CPU(s) for interrupt ID#28 01: CPU 0 targeted 10: CPU 1 targeted

### Register ([mpcore](#)) ICDIPTR8

Name	ICDIPTR8
Software Name	GIC_SPI_TARGET
Relative Address	0x00001820
Absolute Address	0xF8F01820
Width	32 bits
Access Type	rw
Reset Value	0x00000000
Description	Interrupt Processor Targets Register 8

#### Register ICDIPTR8 Details

The ICDIPTR8 register is used to target the interrupts ID#32-ID#35 to none, CPU 0, CPU 1, or both CPUs.

Field Name	Bits	Type	Reset Value	Description
target_35 (GIC_SPI_CPU <sub>n</sub> )	25:24	rw	0x0	Targeted CPU(s) for interrupt ID#35 00: no CPU targeted 01: CPU 0 targeted 10: CPU 1 targeted 11: CPU 0 and CPU 1 are both targeted
target_34 (GIC_SPI_CPU <sub>n</sub> )	17:16	rw	0x0	Targeted CPU(s) for interrupt ID#34 00: no CPU targeted 01: CPU 0 targeted 10: CPU 1 targeted 11: CPU 0 and CPU 1 are both targeted

Field Name	Bits	Type	Reset Value	Description
target_33 (GIC_SPI_CPUn)	9:8	rw	0x0	Targeted CPU(s) for interrupt ID#33 00: no CPU targeted 01: CPU 0 targeted 10: CPU 1 targeted 11: CPU 0 and CPU 1 are both targeted
target_32 (GIC_SPI_CPUn)	1:0	rw	0x0	Targeted CPU(s) for interrupt ID#32 00: no CPU targeted 01: CPU 0 targeted 10: CPU 1 targeted 11: CPU 0 and CPU 1 are both targeted

### Register ([mpcore](#)) ICDIPTR9

Name	ICDIPTR9
Software Name	GIC_SPI_TARGET
Relative Address	0x00001824
Absolute Address	0xF8F01824
Width	32 bits
Access Type	rw
Reset Value	0x00000000
Description	Interrupt Processor Targets Register 9

#### Register ICDIPTR9 Details

The ICDIPTR9 register is used to target the interrupts ID#36-ID#39 to none, CPU 0, CPU 1, or both CPUs.

Field Name	Bits	Type	Reset Value	Description
target_39 (GIC_SPI_CPUn)	25:24	rw	0x0	Targeted CPU(s) for interrupt ID#39 00: no CPU targeted 01: CPU 0 targeted 10: CPU 1 targeted 11: CPU 0 and CPU 1 are both targeted
target_38 (GIC_SPI_CPUn)	17:16	rw	0x0	Targeted CPU(s) for interrupt ID#38 00: no CPU targeted 01: CPU 0 targeted 10: CPU 1 targeted 11: CPU 0 and CPU 1 are both targeted



Field Name	Bits	Type	Reset Value	Description
target_37 (GIC_SPI_CPUn)	9:8	rw	0x0	Targeted CPU(s) for interrupt ID#37 00: no CPU targeted 01: CPU 0 targeted 10: CPU 1 targeted 11: CPU 0 and CPU 1 are both targeted
target_36 (GIC_SPI_CPUn)	1:0	rw	0x0	Targeted CPU(s) for interrupt ID#36 00: no CPU targeted 01: CPU 0 targeted 10: CPU 1 targeted 11: CPU 0 and CPU 1 are both targeted

### Register ([mpcore](#)) ICDIPTR10

Name	ICDIPTR10
Software Name	GIC_SPI_TARGET
Relative Address	0x00001828
Absolute Address	0xF8F01828
Width	32 bits
Access Type	rw
Reset Value	0x00000000
Description	Interrupt Processor Targets Register 10

#### Register ICDIPTR10 Details

The ICDIPTR10 register is used to target the interrupts ID#40-ID#43 to none, CPU 0, CPU 1, or both CPUs.

Field Name	Bits	Type	Reset Value	Description
target_43 (GIC_SPI_CPUn)	25:24	rw	0x0	Targeted CPU(s) for interrupt ID#43 00: no CPU targeted 01: CPU 0 targeted 10: CPU 1 targeted 11: CPU 0 and CPU 1 are both targeted
target_42 (GIC_SPI_CPUn)	17:16	rw	0x0	Targeted CPU(s) for interrupt ID#42 00: no CPU targeted 01: CPU 0 targeted 10: CPU 1 targeted 11: CPU 0 and CPU 1 are both targeted

Field Name	Bits	Type	Reset Value	Description
target_41 (GIC_SPI_CPU <sub>n</sub> )	9:8	rw	0x0	Targeted CPU(s) for interrupt ID#41 00: no CPU targeted 01: CPU 0 targeted 10: CPU 1 targeted 11: CPU 0 and CPU 1 are both targeted
target_40 (GIC_SPI_CPU <sub>n</sub> )	1:0	rw	0x0	Targeted CPU(s) for interrupt ID#40 00: no CPU targeted 01: CPU 0 targeted 10: CPU 1 targeted 11: CPU 0 and CPU 1 are both targeted

### Register ([mpcore](#)) ICDIPTR11

Name	ICDIPTR11
Software Name	GIC_SPI_TARGET
Relative Address	0x0000182C
Absolute Address	0xF8F0182C
Width	32 bits
Access Type	rw
Reset Value	0x00000000
Description	Interrupt Processor Targets Register 11

#### Register ICDIPTR11 Details

The ICDIPTR11 register is used to target the interrupts ID#44-ID#47 to none, CPU 0, CPU 1, or both CPUs.

Field Name	Bits	Type	Reset Value	Description
target_47 (GIC_SPI_CPU <sub>n</sub> )	25:24	rw	0x0	Targeted CPU(s) for interrupt ID#47 00: no CPU targeted 01: CPU 0 targeted 10: CPU 1 targeted 11: CPU 0 and CPU 1 are both targeted
target_46 (GIC_SPI_CPU <sub>n</sub> )	17:16	rw	0x0	Targeted CPU(s) for interrupt ID#46 00: no CPU targeted 01: CPU 0 targeted 10: CPU 1 targeted 11: CPU 0 and CPU 1 are both targeted

Field Name	Bits	Type	Reset Value	Description
target_45 (GIC_SPI_CPU <sub>n</sub> )	9:8	rw	0x0	Targeted CPU(s) for interrupt ID#45 00: no CPU targeted 01: CPU 0 targeted 10: CPU 1 targeted 11: CPU 0 and CPU 1 are both targeted
target_44 (GIC_SPI_CPU <sub>n</sub> )	1:0	rw	0x0	Targeted CPU(s) for interrupt ID#44 00: no CPU targeted 01: CPU 0 targeted 10: CPU 1 targeted 11: CPU 0 and CPU 1 are both targeted

### Register ([mpcore](#)) ICDIPTR12

Name	ICDIPTR12
Software Name	GIC_SPI_TARGET
Relative Address	0x00001830
Absolute Address	0xF8F01830
Width	32 bits
Access Type	rw
Reset Value	0x00000000
Description	Interrupt Processor Targets Register 12

#### Register ICDIPTR12 Details

The ICDIPTR12 register is used to target the interrupts ID#48-ID#51 to none, CPU 0, CPU 1, or both CPUs.

Field Name	Bits	Type	Reset Value	Description
target_51 (GIC_SPI_CPU <sub>n</sub> )	25:24	rw	0x0	Targeted CPU(s) for interrupt ID#51 00: no CPU targeted 01: CPU 0 targeted 10: CPU 1 targeted 11: CPU 0 and CPU 1 are both targeted
target_50 (GIC_SPI_CPU <sub>n</sub> )	17:16	rw	0x0	Targeted CPU(s) for interrupt ID#50 00: no CPU targeted 01: CPU 0 targeted 10: CPU 1 targeted 11: CPU 0 and CPU 1 are both targeted

Field Name	Bits	Type	Reset Value	Description
target_49 (GIC_SPI_CPU <sub>n</sub> )	9:8	rw	0x0	Targeted CPU(s) for interrupt ID#49 00: no CPU targeted 01: CPU 0 targeted 10: CPU 1 targeted 11: CPU 0 and CPU 1 are both targeted
target_48 (GIC_SPI_CPU <sub>n</sub> )	1:0	rw	0x0	Targeted CPU(s) for interrupt ID#48 00: no CPU targeted 01: CPU 0 targeted 10: CPU 1 targeted 11: CPU 0 and CPU 1 are both targeted

### Register ([mpcore](#)) ICDIPTR13

Name	ICDIPTR13
Software Name	GIC_SPI_TARGET
Relative Address	0x00001834
Absolute Address	0xF8F01834
Width	32 bits
Access Type	rw
Reset Value	0x00000000
Description	Interrupt Processor Targets Register 13

#### Register ICDIPTR13 Details

The ICDIPTR13 register is used to target the interrupts ID#52-ID#55 to none, CPU 0, CPU 1, or both CPUs.

Field Name	Bits	Type	Reset Value	Description
target_55 (GIC_SPI_CPU <sub>n</sub> )	25:24	rw	0x0	Targeted CPU(s) for interrupt ID#55 00: no CPU targeted 01: CPU 0 targeted 10: CPU 1 targeted 11: CPU 0 and CPU 1 are both targeted
target_54 (GIC_SPI_CPU <sub>n</sub> )	17:16	rw	0x0	Targeted CPU(s) for interrupt ID#54 00: no CPU targeted 01: CPU 0 targeted 10: CPU 1 targeted 11: CPU 0 and CPU 1 are both targeted

Field Name	Bits	Type	Reset Value	Description
target_53 (GIC_SPI_CPUn)	9:8	rw	0x0	Targeted CPU(s) for interrupt ID#53 00: no CPU targeted 01: CPU 0 targeted 10: CPU 1 targeted 11: CPU 0 and CPU 1 are both targeted
target_52 (GIC_SPI_CPUn)	1:0	rw	0x0	Targeted CPU(s) for interrupt ID#52 00: no CPU targeted 01: CPU 0 targeted 10: CPU 1 targeted 11: CPU 0 and CPU 1 are both targeted

### Register ([mpcore](#)) ICDIPTR14

Name	ICDIPTR14
Software Name	GIC_SPI_TARGET
Relative Address	0x00001838
Absolute Address	0xF8F01838
Width	32 bits
Access Type	rw
Reset Value	0x00000000
Description	Interrupt Processor Targets Register 14

#### Register ICDIPTR14 Details

The ICDIPTR14 register is used to target the interrupts ID#56-ID#59 to none, CPU 0, CPU 1, or both CPUs.

Field Name	Bits	Type	Reset Value	Description
target_59 (GIC_SPI_CPUn)	25:24	rw	0x0	Targeted CPU(s) for interrupt ID#59 00: no CPU targeted 01: CPU 0 targeted 10: CPU 1 targeted 11: CPU 0 and CPU 1 are both targeted
target_58 (GIC_SPI_CPUn)	17:16	rw	0x0	Targeted CPU(s) for interrupt ID#58 00: no CPU targeted 01: CPU 0 targeted 10: CPU 1 targeted 11: CPU 0 and CPU 1 are both targeted

Field Name	Bits	Type	Reset Value	Description
target_57 (GIC_SPI_CPUn)	9:8	rw	0x0	Targeted CPU(s) for interrupt ID#57 00: no CPU targeted 01: CPU 0 targeted 10: CPU 1 targeted 11: CPU 0 and CPU 1 are both targeted
target_56 (GIC_SPI_CPUn)	1:0	rw	0x0	Targeted CPU(s) for interrupt ID#56 00: no CPU targeted 01: CPU 0 targeted 10: CPU 1 targeted 11: CPU 0 and CPU 1 are both targeted

### Register ([mpcore](#)) ICDIPTR15

Name	ICDIPTR15
Software Name	GIC_SPI_TARGET
Relative Address	0x0000183C
Absolute Address	0xF8F0183C
Width	32 bits
Access Type	rw
Reset Value	0x00000000
Description	Interrupt Processor Targets Register 15

#### Register ICDIPTR15 Details

The ICDIPTR15 register is used to target the interrupts ID#60-ID#63 to none, CPU 0, CPU 1, or both CPUs.

Field Name	Bits	Type	Reset Value	Description
target_63 (GIC_SPI_CPUn)	25:24	rw	0x0	Targeted CPU(s) for interrupt ID#63 00: no CPU targeted 01: CPU 0 targeted 10: CPU 1 targeted 11: CPU 0 and CPU 1 are both targeted
target_62 (GIC_SPI_CPUn)	17:16	rw	0x0	Targeted CPU(s) for interrupt ID#62 00: no CPU targeted 01: CPU 0 targeted 10: CPU 1 targeted 11: CPU 0 and CPU 1 are both targeted

Field Name	Bits	Type	Reset Value	Description
target_61 (GIC_SPI_CPU <sub>n</sub> )	9:8	rw	0x0	Targeted CPU(s) for interrupt ID#61 00: no CPU targeted 01: CPU 0 targeted 10: CPU 1 targeted 11: CPU 0 and CPU 1 are both targeted
target_60 (GIC_SPI_CPU <sub>n</sub> )	1:0	rw	0x0	Targeted CPU(s) for interrupt ID#60 00: no CPU targeted 01: CPU 0 targeted 10: CPU 1 targeted 11: CPU 0 and CPU 1 are both targeted

### Register ([mpcore](#)) ICDIPTR16

Name	ICDIPTR16
Software Name	GIC_SPI_TARGET
Relative Address	0x00001840
Absolute Address	0xF8F01840
Width	32 bits
Access Type	rw
Reset Value	0x00000000
Description	Interrupt Processor Targets Register 16

#### Register ICDIPTR16 Details

The ICDIPTR16 register is used to target the interrupts ID#64-ID#67 to none, CPU 0, CPU 1, or both CPUs.

Field Name	Bits	Type	Reset Value	Description
target_67 (GIC_SPI_CPU <sub>n</sub> )	25:24	rw	0x0	Targeted CPU(s) for interrupt ID#67 00: no CPU targeted 01: CPU 0 targeted 10: CPU 1 targeted 11: CPU 0 and CPU 1 are both targeted
target_66 (GIC_SPI_CPU <sub>n</sub> )	17:16	rw	0x0	Targeted CPU(s) for interrupt ID#66 00: no CPU targeted 01: CPU 0 targeted 10: CPU 1 targeted 11: CPU 0 and CPU 1 are both targeted

Field Name	Bits	Type	Reset Value	Description
target_65 (GIC_SPI_CPUn)	9:8	rw	0x0	Targeted CPU(s) for interrupt ID#65 00: no CPU targeted 01: CPU 0 targeted 10: CPU 1 targeted 11: CPU 0 and CPU 1 are both targeted
target_64 (GIC_SPI_CPUn)	1:0	rw	0x0	Targeted CPU(s) for interrupt ID#64 00: no CPU targeted 01: CPU 0 targeted 10: CPU 1 targeted 11: CPU 0 and CPU 1 are both targeted

### Register ([mpcore](#)) ICDIPTR17

Name	ICDIPTR17
Software Name	GIC_SPI_TARGET
Relative Address	0x00001844
Absolute Address	0xF8F01844
Width	32 bits
Access Type	rw
Reset Value	0x00000000
Description	Interrupt Processor Targets Register 17

#### Register ICDIPTR17 Details

The ICDIPTR17 register is used to target the interrupts ID#68-ID#71 to none, CPU 0, CPU 1, or both CPUs.

Field Name	Bits	Type	Reset Value	Description
target_71 (GIC_SPI_CPUn)	25:24	rw	0x0	Targeted CPU(s) for interrupt ID#71 00: no CPU targeted 01: CPU 0 targeted 10: CPU 1 targeted 11: CPU 0 and CPU 1 are both targeted
target_70 (GIC_SPI_CPUn)	17:16	rw	0x0	Targeted CPU(s) for interrupt ID#70 00: no CPU targeted 01: CPU 0 targeted 10: CPU 1 targeted 11: CPU 0 and CPU 1 are both targeted



Field Name	Bits	Type	Reset Value	Description
target_69 (GIC_SPI_CPUn)	9:8	rw	0x0	Targeted CPU(s) for interrupt ID#69 00: no CPU targeted 01: CPU 0 targeted 10: CPU 1 targeted 11: CPU 0 and CPU 1 are both targeted
target_68 (GIC_SPI_CPUn)	1:0	rw	0x0	Targeted CPU(s) for interrupt ID#68 00: no CPU targeted 01: CPU 0 targeted 10: CPU 1 targeted 11: CPU 0 and CPU 1 are both targeted

### Register ([mpcore](#)) ICDIPTR18

Name	ICDIPTR18
Software Name	GIC_SPI_TARGET
Relative Address	0x00001848
Absolute Address	0xF8F01848
Width	32 bits
Access Type	rw
Reset Value	0x00000000
Description	Interrupt Processor Targets Register 18

#### Register ICDIPTR18 Details

The ICDIPTR18 register is used to target the interrupts ID#72-ID#75 to none, CPU 0, CPU 1, or both CPUs.

Field Name	Bits	Type	Reset Value	Description
target_75 (GIC_SPI_CPUn)	25:24	rw	0x0	Targeted CPU(s) for interrupt ID#75 00: no CPU targeted 01: CPU 0 targeted 10: CPU 1 targeted 11: CPU 0 and CPU 1 are both targeted
target_74 (GIC_SPI_CPUn)	17:16	rw	0x0	Targeted CPU(s) for interrupt ID#74 00: no CPU targeted 01: CPU 0 targeted 10: CPU 1 targeted 11: CPU 0 and CPU 1 are both targeted

Field Name	Bits	Type	Reset Value	Description
target_73 (GIC_SPI_CPUn)	9:8	rw	0x0	Targeted CPU(s) for interrupt ID#73 00: no CPU targeted 01: CPU 0 targeted 10: CPU 1 targeted 11: CPU 0 and CPU 1 are both targeted
target_72 (GIC_SPI_CPUn)	1:0	rw	0x0	Targeted CPU(s) for interrupt ID#72 00: no CPU targeted 01: CPU 0 targeted 10: CPU 1 targeted 11: CPU 0 and CPU 1 are both targeted

### Register ([mpcore](#)) ICDIPTR19

Name	ICDIPTR19
Software Name	GIC_SPI_TARGET
Relative Address	0x0000184C
Absolute Address	0xF8F0184C
Width	32 bits
Access Type	rw
Reset Value	0x00000000
Description	Interrupt Processor Targets Register 19

#### Register ICDIPTR19 Details

The ICDIPTR19 register is used to target the interrupts ID#76-ID#79 to none, CPU 0, CPU 1, or both CPUs.

Field Name	Bits	Type	Reset Value	Description
target_79 (GIC_SPI_CPUn)	25:24	rw	0x0	Targeted CPU(s) for interrupt ID#79 00: no CPU targeted 01: CPU 0 targeted 10: CPU 1 targeted 11: CPU 0 and CPU 1 are both targeted
target_78 (GIC_SPI_CPUn)	17:16	rw	0x0	Targeted CPU(s) for interrupt ID#78 00: no CPU targeted 01: CPU 0 targeted 10: CPU 1 targeted 11: CPU 0 and CPU 1 are both targeted

Field Name	Bits	Type	Reset Value	Description
target_77 (GIC_SPI_CPUn)	9:8	rw	0x0	Targeted CPU(s) for interrupt ID#77 00: no CPU targeted 01: CPU 0 targeted 10: CPU 1 targeted 11: CPU 0 and CPU 1 are both targeted
target_76 (GIC_SPI_CPUn)	1:0	rw	0x0	Targeted CPU(s) for interrupt ID#76 00: no CPU targeted 01: CPU 0 targeted 10: CPU 1 targeted 11: CPU 0 and CPU 1 are both targeted

### Register ([mpcore](#)) ICDIPTR20

Name	ICDIPTR20
Software Name	GIC_SPI_TARGET
Relative Address	0x00001850
Absolute Address	0xF8F01850
Width	32 bits
Access Type	rw
Reset Value	0x00000000
Description	Interrupt Processor Targets Register 20

#### Register ICDIPTR20 Details

The ICDIPTR20 register is used to target the interrupts ID#80-ID#83 to none, CPU 0, CPU 1, or both CPUs.

Field Name	Bits	Type	Reset Value	Description
target_83 (GIC_SPI_CPUn)	25:24	rw	0x0	Targeted CPU(s) for interrupt ID#83 00: no CPU targeted 01: CPU 0 targeted 10: CPU 1 targeted 11: CPU 0 and CPU 1 are both targeted
target_82 (GIC_SPI_CPUn)	17:16	rw	0x0	Targeted CPU(s) for interrupt ID#82 00: no CPU targeted 01: CPU 0 targeted 10: CPU 1 targeted 11: CPU 0 and CPU 1 are both targeted

Field Name	Bits	Type	Reset Value	Description
target_81 (GIC_SPI_CPUn)	9:8	rw	0x0	Targeted CPU(s) for interrupt ID#81 00: no CPU targeted 01: CPU 0 targeted 10: CPU 1 targeted 11: CPU 0 and CPU 1 are both targeted
target_80 (GIC_SPI_CPUn)	1:0	rw	0x0	Targeted CPU(s) for interrupt ID#80 00: no CPU targeted 01: CPU 0 targeted 10: CPU 1 targeted 11: CPU 0 and CPU 1 are both targeted

### Register ([mpcore](#)) ICDIPTR21

Name	ICDIPTR21
Software Name	GIC_SPI_TARGET
Relative Address	0x00001854
Absolute Address	0xF8F01854
Width	32 bits
Access Type	rw
Reset Value	0x00000000
Description	Interrupt Processor Targets Register 21

#### Register ICDIPTR21 Details

The ICDIPTR21 register is used to target the interrupts ID#84-ID#87 to none, CPU 0, CPU 1, or both CPUs.

Field Name	Bits	Type	Reset Value	Description
target_87 (GIC_SPI_CPUn)	25:24	rw	0x0	Targeted CPU(s) for interrupt ID#87 00: no CPU targeted 01: CPU 0 targeted 10: CPU 1 targeted 11: CPU 0 and CPU 1 are both targeted
target_86 (GIC_SPI_CPUn)	17:16	rw	0x0	Targeted CPU(s) for interrupt ID#86 00: no CPU targeted 01: CPU 0 targeted 10: CPU 1 targeted 11: CPU 0 and CPU 1 are both targeted

Field Name	Bits	Type	Reset Value	Description
target_85 (GIC_SPI_CPUn)	9:8	rw	0x0	Targeted CPU(s) for interrupt ID#85 00: no CPU targeted 01: CPU 0 targeted 10: CPU 1 targeted 11: CPU 0 and CPU 1 are both targeted
target_84 (GIC_SPI_CPUn)	1:0	rw	0x0	Targeted CPU(s) for interrupt ID#84 00: no CPU targeted 01: CPU 0 targeted 10: CPU 1 targeted 11: CPU 0 and CPU 1 are both targeted

### Register ([mpcore](#)) ICDIPTR22

Name	ICDIPTR22
Software Name	GIC_SPI_TARGET
Relative Address	0x00001858
Absolute Address	0xF8F01858
Width	32 bits
Access Type	rw
Reset Value	0x00000000
Description	Interrupt Processor Targets Register 22

#### Register ICDIPTR22 Details

The ICDIPTR22 register is used to target the interrupts ID#88-ID#91 to none, CPU 0, CPU 1, or both CPUs.

Field Name	Bits	Type	Reset Value	Description
target_91 (GIC_SPI_CPUn)	25:24	rw	0x0	Targeted CPU(s) for interrupt ID#91 00: no CPU targeted 01: CPU 0 targeted 10: CPU 1 targeted 11: CPU 0 and CPU 1 are both targeted
target_90 (GIC_SPI_CPUn)	17:16	rw	0x0	Targeted CPU(s) for interrupt ID#90 00: no CPU targeted 01: CPU 0 targeted 10: CPU 1 targeted 11: CPU 0 and CPU 1 are both targeted

Field Name	Bits	Type	Reset Value	Description
target_89 (GIC_SPI_CPU <sub>n</sub> )	9:8	rw	0x0	Targeted CPU(s) for interrupt ID#89 00: no CPU targeted 01: CPU 0 targeted 10: CPU 1 targeted 11: CPU 0 and CPU 1 are both targeted
target_88 (GIC_SPI_CPU <sub>n</sub> )	1:0	rw	0x0	Targeted CPU(s) for interrupt ID#88 00: no CPU targeted 01: CPU 0 targeted 10: CPU 1 targeted 11: CPU 0 and CPU 1 are both targeted

### Register ([mpcore](#)) ICDIPTR23

Name	ICDIPTR23
Software Name	GIC_SPI_TARGET
Relative Address	0x0000185C
Absolute Address	0xF8F0185C
Width	32 bits
Access Type	rw
Reset Value	0x00000000
Description	Interrupt Processor Targets Register 23

#### Register ICDIPTR23 Details

The ICDIPTR23 register is used to target the interrupts ID#92-ID#95 to none, CPU 0, CPU 1, or both CPUs.

Field Name	Bits	Type	Reset Value	Description
target_95 (GIC_SPI_CPU <sub>n</sub> )	25:24	rw	0x0	Targeted CPU(s) for interrupt ID#95 00: no CPU targeted 01: CPU 0 targeted 10: CPU 1 targeted 11: CPU 0 and CPU 1 are both targeted
target_94 (GIC_SPI_CPU <sub>n</sub> )	17:16	rw	0x0	Targeted CPU(s) for interrupt ID#94 00: no CPU targeted 01: CPU 0 targeted 10: CPU 1 targeted 11: CPU 0 and CPU 1 are both targeted

Field Name	Bits	Type	Reset Value	Description
target_93 (GIC_SPI_CPUn)	9:8	rw	0x0	Targeted CPU(s) for interrupt ID#93 00: no CPU targeted 01: CPU 0 targeted 10: CPU 1 targeted 11: CPU 0 and CPU 1 are both targeted
target_92 (GIC_SPI_CPUn)	1:0	rw	0x0	Targeted CPU(s) for interrupt ID#92 00: no CPU targeted 01: CPU 0 targeted 10: CPU 1 targeted 11: CPU 0 and CPU 1 are both targeted

### Register ([mpcore](#)) ICDICFR0

Name	ICDICFR0
Software Name	GIC_INT_CFG
Relative Address	0x00001C00
Absolute Address	0xF8F01C00
Width	32 bits
Access Type	ro
Reset Value	0x00000000
Description	Interrupt Configuration Register 0

#### Register ICDICFR0 Details

The ICD ICFR 0 register controls the interrupt sensitivity of the 16 Software Generated Interrupts (SGI), IRQ ID #0 to ID #15. This read-only register has two bits per interrupt that always indicate each SGI interrupt is edge sensitive and must be handled by all of the targeted CPUs as indicated in the ICD IPTR [3:0] registers.

Field Name	Bits	Type	Reset Value	Description
config_15 (MASK)	31:30	ro	0x0	Configuration for interrupt ID#15 10: edge sensitive and must be handled by the targeted CPU(s).
config_14 (MASK)	29:28	ro	0x0	Configuration for interrupt ID#14 10: edge sensitive and must be handled by the targeted CPU(s).
config_13 (MASK)	27:26	ro	0x0	Configuration for interrupt ID#13 10: edge sensitive and must be handled by the targeted CPU(s).

Field Name	Bits	Type	Reset Value	Description
config_12 (MASK)	25:24	ro	0x0	Configuration for interrupt ID#12 10: edge sensitive and must be handled by the targeted CPU(s).
config_11 (MASK)	23:22	ro	0x0	Configuration for interrupt ID#11 10: edge sensitive and must be handled by the targeted CPU(s).
config_10 (MASK)	21:20	ro	0x0	Configuration for interrupt ID#10 10: edge sensitive and must be handled by the targeted CPU(s).
config_9 (MASK)	19:18	ro	0x0	Configuration for interrupt ID#9 10: edge sensitive and must be handled by the targeted CPU(s).
config_8 (MASK)	17:16	ro	0x0	Configuration for interrupt ID#8 10: edge sensitive and must be handled by the targeted CPU(s).
config_7 (MASK)	15:14	ro	0x0	Configuration for interrupt ID#7 10: edge sensitive and must be handled by the targeted CPU(s).
config_6 (MASK)	13:12	ro	0x0	Configuration for interrupt ID#6 10: edge sensitive and must be handled by the targeted CPU(s).
config_5 (MASK)	11:10	ro	0x0	Configuration for interrupt ID#5 10: edge sensitive and must be handled by the targeted CPU(s).
config_4 (MASK)	9:8	ro	0x0	Configuration for interrupt ID#4 10: edge sensitive and must be handled by the targeted CPU(s).
config_3 (MASK)	7:6	ro	0x0	Configuration for interrupt ID#3 10: edge sensitive and must be handled by the targeted CPU(s).
config_2 (MASK)	5:4	ro	0x0	Configuration for interrupt ID#2 10: edge sensitive and must be handled by the targeted CPU(s).
config_1 (MASK)	3:2	ro	0x0	Configuration for interrupt ID#1 10: edge sensitive and must be handled by the targeted CPU(s).
config_0 (MASK)	1:0	ro	0x0	Configuration for interrupt ID#0 10: edge sensitive and must be handled by the targeted CPU(s).



### Register ([mpcore](#)) ICDICFR1

Name	ICDICFR1
Relative Address	0x00001C04
Absolute Address	0xF8F01C04
Width	32 bits
Access Type	rw
Reset Value	0x00000000
Description	Interrupt Configuration Register 1

#### Register ICDICFR1 Details

The ICD ICFR 1 register controls the interrupt sensitivity of the CPU Private Peripheral Interrupts (PPI), IRQ ID #27 to ID #31. This read-only register has two bits per interrupt. This two bit field is either equal to 01 (low-level active) or equal to 11 (edge sensitive). The LSB is always 1 because only the local CPU handles its own PPI interrupts.

Note: There are two instances of this register at the same address. One register is accessible by CPU 0 and the other register is accessible by CPU 1.

Field Name	Bits	Type	Reset Value	Description
config_31 (GIC_INT_CFG)	31:30	rw	0x0	Configuration for interrupt ID#31 (nIRQ) 01: low-level active
config_30 (GIC_INT_CFG)	29:28	rw	0x0	Configuration for interrupt ID#30 (CPU watchdog timer) 11: edge sensitive
config_29 (GIC_INT_CFG)	27:26	rw	0x0	Configuration for interrupt ID#29 (CPU private timer) 11: edge sensitive
config_28 (GIC_INT_CFG)	25:24	rw	0x0	Configuration for interrupt ID#28 (nFIQ) 01: low-level active
config_27 (GIC_INT_CFG)	23:22	rw	0x0	Configuration for interrupt ID#27 (global timer) 11: edge sensitive
reserved	21:0	rw	0x0	Reserved

### Register ([mpcore](#)) ICDICFR2

Name	ICDICFR2
Relative Address	0x00001C08
Absolute Address	0xF8F01C08
Width	32 bits
Access Type	rw

Reset Value                    0x00000000  
 Description                    Interrupt Configuration Register 2

**Register ICDICFR2 Details**

The ICDICFR 2 register control the interrupt sensitivity of the Shared Peripheral Interrupts (SPI), IRQ ID #32 to ID #47 (IRQ 36 is reserved). This register has two bits per interrupt. This two bit field is either equal to 01 (high-level active) or equal to 11 (rising-edge sensitive). The LSB is always 1 because only one CPU will handle a SPI interrupt, regardless of the number of CPUs targeted.

Refer to UG585 TRM Section 7.2.3 Shared Peripheral Interrupts (SPI) for the required sensitivity type for the SPI interrupts. The SPI interrupts must match the expected sensitivity. Interrupts from the PL may be high-level or rising edge sensitive; this must be coordinated with the PL hardware and software.

Field Name	Bits	Type	Reset Value	Description
config_47 (GIC_INT_CFG)	31:30	rw	0x0	Configuration for interrupt ID#47 01: high-level active 11: rising-edge The lower bit is read-only and is always 1.
config_46 (GIC_INT_CFG)	29:28	rw	0x0	Configuration for interrupt ID#46 01: high-level active 11: rising-edge The lower bit is read-only and is always 1.
config_45 (GIC_INT_CFG)	27:26	rw	0x0	Configuration for interrupt ID#45 01: high-level active 11: rising-edge The lower bit is read-only and is always 1.
config_44 (GIC_INT_CFG)	25:24	rw	0x0	Configuration for interrupt ID#44 01: high-level active 11: rising-edge The lower bit is read-only and is always 1.
config_43 (GIC_INT_CFG)	23:22	rw	0x0	Configuration for interrupt ID#43 01: high-level active 11: rising-edge The lower bit is read-only and is always 1.
config_42 (GIC_INT_CFG)	21:20	rw	0x0	Configuration for interrupt ID#42 01: high-level active 11: rising-edge The lower bit is read-only and is always 1.
config_41 (GIC_INT_CFG)	19:18	rw	0x0	Configuration for interrupt ID#41 01: high-level active 11: rising-edge The lower bit is read-only and is always 1.

Field Name	Bits	Type	Reset Value	Description
config_40 (GIC_INT_CFG)	17:16	rw	0x0	Configuration for interrupt ID#40 01: high-level active 11: rising-edge The lower bit is read-only and is always 1.
config_39 (GIC_INT_CFG)	15:14	rw	0x0	Configuration for interrupt ID#39 01: high-level active 11: rising-edge The lower bit is read-only and is always 1.
config_38 (GIC_INT_CFG)	13:12	rw	0x0	Configuration for interrupt ID#38 01: high-level active 11: rising-edge The lower bit is read-only and is always 1.
config_37 (GIC_INT_CFG)	11:10	rw	0x0	Configuration for interrupt ID#37 01: high-level active 11: rising-edge The lower bit is read-only and is always 1.
config_36 (GIC_INT_CFG)	9:8	rw	0x0	Configuration for interrupt ID#36 01: high-level active 11: rising-edge The lower bit is read-only and is always 1.
config_35 (GIC_INT_CFG)	7:6	rw	0x0	Configuration for interrupt ID#35 01: high-level active 11: rising-edge The lower bit is read-only and is always 1.
config_34 (GIC_INT_CFG)	5:4	rw	0x0	Configuration for interrupt ID#34 01: high-level active 11: rising-edge The lower bit is read-only and is always 1.
config_33 (GIC_INT_CFG)	3:2	rw	0x0	Configuration for interrupt ID#33 01: high-level active 11: rising-edge The lower bit is read-only and is always 1.
config_32 (GIC_INT_CFG)	1:0	rw	0x0	Configuration for interrupt ID#32 01: high-level active 11: rising-edge The lower bit is read-only and is always 1.

Register ([mpcore](#)) ICDICFR3

Name ICDICFR3

Relative Address	0x00001C0C
Absolute Address	0xF8F01C0C
Width	32 bits
Access Type	rw
Reset Value	0x00000000
Description	Interrupt Configuration Register 3

### Register ICDICFR3 Details

The ICDICFR 3 register control the interrupt sensitivity of the Shared Peripheral Interrupts (SPI), IRQ ID #48 to ID #63. This register has two bits per interrupt. This two bit field is either equal to 01 (high-level active) or equal to 11 (rising-edge sensitive). The LSB is always 1 because only one CPU will handle a SPI interrupt, regardless of the number of CPUs targeted.

Refer to UG585 TRM Section 7.2.3 Shared Peripheral Interrupts (SPI) for the required sensitivity type for the SPI interrupts. The SPI interrupts must match the expected sensitivity. Interrupts from the PL may be high-level or rising edge sensitive; this must be coordinated with the PL hardware and software.

Field Name	Bits	Type	Reset Value	Description
config_63 (GIC_INT_CFG)	31:30	rw	0x0	Configuration for interrupt ID#63 01: high-level active 11: rising-edge The lower bit is read-only and is always 1.
config_62 (GIC_INT_CFG)	29:28	rw	0x0	Configuration for interrupt ID#62 01: high-level active 11: rising-edge The lower bit is read-only and is always 1.
config_61 (GIC_INT_CFG)	27:26	rw	0x0	Configuration for interrupt ID#61 01: high-level active 11: rising-edge The lower bit is read-only and is always 1.
config_60 (GIC_INT_CFG)	25:24	rw	0x0	Configuration for interrupt ID#60 01: high-level active 11: rising-edge The lower bit is read-only and is always 1.
config_59 (GIC_INT_CFG)	23:22	rw	0x0	Configuration for interrupt ID#59 01: high-level active 11: rising-edge The lower bit is read-only and is always 1.
config_58 (GIC_INT_CFG)	21:20	rw	0x0	Configuration for interrupt ID#58 01: high-level active 11: rising-edge The lower bit is read-only and is always 1.

Field Name	Bits	Type	Reset Value	Description
config_57 (GIC_INT_CFG)	19:18	rw	0x0	Configuration for interrupt ID#57 01: high-level active 11: rising-edge The lower bit is read-only and is always 1.
config_56 (GIC_INT_CFG)	17:16	rw	0x0	Configuration for interrupt ID#56 01: high-level active 11: rising-edge The lower bit is read-only and is always 1.
config_55 (GIC_INT_CFG)	15:14	rw	0x0	Configuration for interrupt ID#55 01: high-level active 11: rising-edge The lower bit is read-only and is always 1.
config_54 (GIC_INT_CFG)	13:12	rw	0x0	Configuration for interrupt ID#54 01: high-level active 11: rising-edge The lower bit is read-only and is always 1.
config_53 (GIC_INT_CFG)	11:10	rw	0x0	Configuration for interrupt ID#53 01: high-level active 11: rising-edge The lower bit is read-only and is always 1.
config_52 (GIC_INT_CFG)	9:8	rw	0x0	Configuration for interrupt ID#52 01: high-level active 11: rising-edge The lower bit is read-only and is always 1.
config_51 (GIC_INT_CFG)	7:6	rw	0x0	Configuration for interrupt ID#51 01: high-level active 11: rising-edge The lower bit is read-only and is always 1.
config_50 (GIC_INT_CFG)	5:4	rw	0x0	Configuration for interrupt ID#50 01: high-level active 11: rising-edge The lower bit is read-only and is always 1.
config_49 (GIC_INT_CFG)	3:2	rw	0x0	Configuration for interrupt ID#49 01: high-level active 11: rising-edge The lower bit is read-only and is always 1.
config_48 (GIC_INT_CFG)	1:0	rw	0x0	Configuration for interrupt ID#48 01: high-level active 11: rising-edge The lower bit is read-only and is always 1.

## Register ([mpcore](#)) ICDICFR4

Name	ICDICFR4
Relative Address	0x00001C10
Absolute Address	0xF8F01C10
Width	32 bits
Access Type	rw
Reset Value	0x00000000
Description	Interrupt Configuration Register 4

### Register ICDICFR4 Details

The ICDICFR 4 register control the interrupt sensitivity of the Shared Peripheral Interrupts (SPI), IRQ ID #64 to ID #79. This register has two bits per interrupt. This two bit field is either equal to 01 (high-level active) or equal to 11 (rising-edge sensitive). The LSB is always 1 because only one CPU will handle a SPI interrupt, regardless of the number of CPUs targeted.

Refer to UG585 TRM Section 7.2.3 Shared Peripheral Interrupts (SPI) for the required sensitivity type for the SPI interrupts. The SPI interrupts must match the expected sensitivity. Interrupts from the PL may be high-level or rising edge sensitive; this must be coordinated with the PL hardware and software.

Field Name	Bits	Type	Reset Value	Description
config_79 (GIC_INT_CFG)	31:30	rw	0x0	Configuration for interrupt ID#79 01: high-level active 11: rising-edge The lower bit is read-only and is always 1.
config_78 (GIC_INT_CFG)	29:28	rw	0x0	Configuration for interrupt ID#78 01: high-level active 11: rising-edge The lower bit is read-only and is always 1.
config_77 (GIC_INT_CFG)	27:26	rw	0x0	Configuration for interrupt ID#77 01: high-level active 11: rising-edge The lower bit is read-only and is always 1.
config_76 (GIC_INT_CFG)	25:24	rw	0x0	Configuration for interrupt ID#76 01: high-level active 11: rising-edge The lower bit is read-only and is always 1.
config_75 (GIC_INT_CFG)	23:22	rw	0x0	Configuration for interrupt ID#75 01: high-level active 11: rising-edge The lower bit is read-only and is always 1.

Field Name	Bits	Type	Reset Value	Description
config_74 (GIC_INT_CFG)	21:20	rw	0x0	Configuration for interrupt ID#74 01: high-level active 11: rising-edge The lower bit is read-only and is always 1.
config_73 (GIC_INT_CFG)	19:18	rw	0x0	Configuration for interrupt ID#73 01: high-level active 11: rising-edge The lower bit is read-only and is always 1.
config_72 (GIC_INT_CFG)	17:16	rw	0x0	Configuration for interrupt ID#72 01: high-level active 11: rising-edge The lower bit is read-only and is always 1.
config_71 (GIC_INT_CFG)	15:14	rw	0x0	Configuration for interrupt ID#71 01: high-level active 11: rising-edge The lower bit is read-only and is always 1.
config_70 (GIC_INT_CFG)	13:12	rw	0x0	Configuration for interrupt ID#70 01: high-level active 11: rising-edge The lower bit is read-only and is always 1.
config_69 (GIC_INT_CFG)	11:10	rw	0x0	Configuration for interrupt ID#69 01: high-level active 11: rising-edge The lower bit is read-only and is always 1.
config_68 (GIC_INT_CFG)	9:8	rw	0x0	Configuration for interrupt ID#68 01: high-level active 11: rising-edge The lower bit is read-only and is always 1.
config_67 (GIC_INT_CFG)	7:6	rw	0x0	Configuration for interrupt ID#67 01: high-level active 11: rising-edge The lower bit is read-only and is always 1.
config_66 (GIC_INT_CFG)	5:4	rw	0x0	Configuration for interrupt ID#66 01: high-level active 11: rising-edge The lower bit is read-only and is always 1.

Field Name	Bits	Type	Reset Value	Description
config_65 (GIC_INT_CFG)	3:2	rw	0x0	Configuration for interrupt ID#65 01: high-level active 11: rising-edge The lower bit is read-only and is always 1.
config_64 (GIC_INT_CFG)	1:0	rw	0x0	Configuration for interrupt ID#64 01: high-level active 11: rising-edge The lower bit is read-only and is always 1.

### Register ([mpcore](#)) ICDICFR5

Name	ICDICFR5
Relative Address	0x00001C14
Absolute Address	0xF8F01C14
Width	32 bits
Access Type	rw
Reset Value	0x00000000
Description	Interrupt Configuration Register 5

#### Register ICDICFR5 Details

The ICDICFR 5 register control the interrupt sensitivity of the Shared Peripheral Interrupts (SPI), IRQ ID #80 to ID #95 (reserved: 93, 94, 95). This register has two bits per interrupt. This two bit field is either equal to 01 (high-level active) or equal to 11 (rising-edge sensitive). The LSB is always 1 because only one CPU will handle a SPI interrupt, regardless of the number of CPUs targeted.

Refer to UG585 TRM Section 7.2.3 Shared Peripheral Interrupts (SPI) for the required sensitivity type for the SPI interrupts. The SPI interrupts must match the expected sensitivity. Interrupts from the PL may be high-level or rising edge sensitive; this must be coordinated with the PL hardware and software.

Field Name	Bits	Type	Reset Value	Description
config_95 (GIC_INT_CFG)	31:30	rw	0x0	Configuration for interrupt ID#95 01: high-level active 11: rising-edge The lower bit is read-only and is always 1.
config_94 (GIC_INT_CFG)	29:28	rw	0x0	Configuration for interrupt ID#94 01: high-level active 11: rising-edge The lower bit is read-only and is always 1.



Field Name	Bits	Type	Reset Value	Description
config_93 (GIC_INT_CFG)	27:26	rw	0x0	Configuration for interrupt ID#93 01: high-level active 11: rising-edge The lower bit is read-only and is always 1.
config_92 (GIC_INT_CFG)	25:24	rw	0x0	Configuration for interrupt ID#92 01: high-level active 11: rising-edge The lower bit is read-only and is always 1.
config_91 (GIC_INT_CFG)	23:22	rw	0x0	Configuration for interrupt ID#91 01: high-level active 11: rising-edge The lower bit is read-only and is always 1.
config_90 (GIC_INT_CFG)	21:20	rw	0x0	Configuration for interrupt ID#90 01: high-level active 11: rising-edge The lower bit is read-only and is always 1.
config_89 (GIC_INT_CFG)	19:18	rw	0x0	Configuration for interrupt ID#89 01: high-level active 11: rising-edge The lower bit is read-only and is always 1.
config_88 (GIC_INT_CFG)	17:16	rw	0x0	Configuration for interrupt ID#88 01: high-level active 11: rising-edge The lower bit is read-only and is always 1.
config_87 (GIC_INT_CFG)	15:14	rw	0x0	Configuration for interrupt ID#87 01: high-level active 11: rising-edge The lower bit is read-only and is always 1.
config_86 (GIC_INT_CFG)	13:12	rw	0x0	Configuration for interrupt ID#86 01: high-level active 11: rising-edge The lower bit is read-only and is always 1.
config_85 (GIC_INT_CFG)	11:10	rw	0x0	Configuration for interrupt ID#85 01: high-level active 11: rising-edge The lower bit is read-only and is always 1.
config_84 (GIC_INT_CFG)	9:8	rw	0x0	Configuration for interrupt ID#84 01: high-level active 11: rising-edge The lower bit is read-only and is always 1.

Field Name	Bits	Type	Reset Value	Description
config_83 (GIC_INT_CFG)	7:6	rw	0x0	Configuration for interrupt ID#83 01: high-level active 11: rising-edge The lower bit is read-only and is always 1.
config_82 (GIC_INT_CFG)	5:4	rw	0x0	Configuration for interrupt ID#82 01: high-level active 11: rising-edge The lower bit is read-only and is always 1.
config_81 (GIC_INT_CFG)	3:2	rw	0x0	Configuration for interrupt ID#81 01: high-level active 11: rising-edge The lower bit is read-only and is always 1.
config_80 (GIC_INT_CFG)	1:0	rw	0x0	Configuration for interrupt ID#80 01: high-level active 11: rising-edge The lower bit is read-only and is always 1.

### Register ([mpcore](#)) ppi\_status

Name	ppi_status
Software Name	GIC_PPI_STAT
Relative Address	0x00001D00
Absolute Address	0xF8F01D00
Width	32 bits
Access Type	ro
Reset Value	0x00000000
Description	PPI Status Register

Register ppi\_status Details

Field Name	Bits	Type	Reset Value	Description
reserved	31:16	ro	0x0	Reserved. Writes are ignored, read data is always zero
ppi_status	15:11	ro	0x0	Returns the status of the PPI(4:0) inputs on the distributor: * PPI[4] is nIRQ * PPI[3] is the private watchdog * PPI[2] is the private timer * PPI[1] is nFIQ * PPI[0] is the global timer. PPI[1] and PPI[4] are active LOW PPI[0], PPI[2] and PPI[3] are active HIGH. Note These bits return the actual status of the PPI(4:0) signals. The ICDISPRn and ICDICPRn registers can also provide the PPI(4:0) status but because you can write to these registers then they might not contain the actual status of the PPI(4:0) signals.
SBZ	10:0	ro	0x0	SBZ

Register ([mpcore](#)) spi\_status\_0

Name	spi_status_0
Software Name	GIC_SPI_STAT
Relative Address	0x00001D04
Absolute Address	0xF8F01D04
Width	32 bits
Access Type	ro
Reset Value	0x00000000
Description	SPI Status Register 0

Register spi\_status\_0 Details

Field Name	Bits	Type	Reset Value	Description
spi_status (GIC_SPI_N)	31:0	ro	0x0	Returns the status of the IRQ ID32 to ID63 inputs on the distributor. These bits return the actual status of the IRQ signals. Note: The ICDISPR1 and ICDICPR1 registers can also provide the IRQ status but because you can write to these registers then they might not contain the actual status of the IRQ signals.

### Register ([mpcore](#)) spi\_status\_1

Name	spi_status_1
Relative Address	0x00001D08
Absolute Address	0xF8F01D08
Width	32 bits
Access Type	ro
Reset Value	0x00000000
Description	SPI Status Register 1

#### Register spi\_status\_1 Details

Field Name	Bits	Type	Reset Value	Description
spi_status (GIC_SPI_N)	31:0	ro	0x0	Returns the status of the IRQ ID64 to ID95 inputs on the distributor. These bits return the actual status of the IRQ signals.  Note: The ICDISPR2 and ICDICPR2 registers can also provide the IRQ status but because you can write to these registers then they might not contain the actual status of the IRQ signals.

### Register ([mpcore](#)) ICDSGIR

Name	ICDSGIR
Software Name	GIC_SFI_TRIG
Relative Address	0x00001F00
Absolute Address	0xF8F01F00
Width	32 bits
Access Type	rw
Reset Value	0x00000000
Description	Software Generated Interrupt Register

Register ICDSGIR Details

Field Name	Bits	Type	Reset Value	Description
reserved	31:26	rw	0x0	reserved
TargetListFilter (TRGFILT)	25:24	rw	0x0	0b00: send the interrupt to the CPU interfaces specified in the CPUTargetList field 0b01: send the interrupt to all CPU interfaces except the CPU interface that requested the interrupt 0b10: send the interrupt on only to the CPU interface that requested the interrupt 0b11: reserved
CPUTargetList (CPU)	23:16	rw	0x0	When TargetListFilter is 0b00, defines the CPU interfaces the Distributor must send the interrupt to. Each bit refers to the corresponding CPU interface.
SATT	15	rw	0x0	Determines the condition for sending the SGI specified in the SGIINTID field to a specified CPU interfaces: 0: only if the SGI is configured as Secure on that interface. 1: only if the SGI is configured as Non-secure on that interface.
SBZ	14:4	rw	0x0	SBZ
SGIINTID (INTID)	3:0	rw	0x0	The Interrupt ID of the SGI to send to the specified CPU interfaces.

Register ([mpcore](#)) ICPIDR4

Name	ICPIDR4
Software Name	GIC_PERPHID
Relative Address	0x00001FD0
Absolute Address	0xF8F01FD0
Width	32 bits
Access Type	rw
Reset Value	0x00000004
Description	Peripheral ID4

Register ICPIDR4 Details

Field Name	Bits	Type	Reset Value	Description
reserved	31:4	rw	0x0	reserved
ContinuationCode	3:0	rw	0x4	ARM-defined ContinuationCode field

Register ([mpcore](#)) ICPIDR5

Name ICPIDR5  
 Relative Address 0x00001FD4  
 Absolute Address 0xF8F01FD4  
 Width 32 bits  
 Access Type rw  
 Reset Value 0x00000000  
 Description Peripheral ID5

Register ICPIDR5 Details

Field Name	Bits	Type	Reset Value	Description
reserved	31:0	rw	0x0	Reserved

Register ([mpcore](#)) ICPIDR6

Name ICPIDR6  
 Relative Address 0x00001FD8  
 Absolute Address 0xF8F01FD8  
 Width 32 bits  
 Access Type rw  
 Reset Value 0x00000000  
 Description Peripheral ID6

Register ICPIDR6 Details

Field Name	Bits	Type	Reset Value	Description
reserved	31:0	rw	0x0	Reserved

Register ([mpcore](#)) ICPIDR7

Name ICPIDR7

Relative Address 0x00001FDC  
 Absolute Address 0xF8F01FDC  
 Width 32 bits  
 Access Type rw  
 Reset Value 0x00000000  
 Description Peripheral ID7

Register ICPIDR7 Details

Field Name	Bits	Type	Reset Value	Description
reserved	31:0	rw	0x0	Reserved

Register ([mpcore](#)) ICPIDR0

Name ICPIDR0  
 Relative Address 0x00001FE0  
 Absolute Address 0xF8F01FE0  
 Width 32 bits  
 Access Type rw  
 Reset Value 0x00000090  
 Description Peripheral ID0

Register ICPIDR0 Details

Field Name	Bits	Type	Reset Value	Description
reserved	31:8	rw	0x0	reserved
DevID_low	7:0	rw	0x90	ARM-defined DevID[7:0] field

Register ([mpcore](#)) ICPIDR1

Name ICPIDR1  
 Relative Address 0x00001FE4  
 Absolute Address 0xF8F01FE4  
 Width 32 bits  
 Access Type rw  
 Reset Value 0x000000B3  
 Description Peripheral ID1

Register ICPIDR1 Details

Field Name	Bits	Type	Reset Value	Description
reserved	31:8	rw	0x0	reserved
ARChID_low	7:4	rw	0xB	ARM-defined ArchID[3:0] field
DevID_high	3:0	rw	0x3	ARM-defined DevID[11:8] field

Register ([mpcore](#)) ICPIDR2

Name	ICPIDR2
Relative Address	0x00001FE8
Absolute Address	0xF8F01FE8
Width	32 bits
Access Type	rw
Reset Value	0x0000001B
Description	Peripheral ID2

Register ICPIDR2 Details

Field Name	Bits	Type	Reset Value	Description
reserved	31:8	rw	0x0	reserved
ArchRev	7:4	rw	0x1	ARM-defined ArchRev field
UsesJEPcode	3	rw	0x1	ARM-defined ContinuationCode field
ArchID_high	2:0	rw	0x3	ARM-defined ArchID[6:4] field

Register ([mpcore](#)) ICPIDR3

Name	ICPIDR3
Relative Address	0x00001FEC
Absolute Address	0xF8F01FEC
Width	32 bits
Access Type	rw
Reset Value	0x00000000
Description	Peripheral ID3



Register ICPIDR3 Details

Field Name	Bits	Type	Reset Value	Description
reserved	31:8	rw	0x0	reserved
Revision	7:4	rw	0x0	ARM-defined Revision field
reserved	3:0	rw	0x0	reserved

Register ([mpcore](#)) ICCIDR0

Name	ICCIDR0
Software Name	GIC_PCELLID
Relative Address	0x00001FF0
Absolute Address	0xF8F01FF0
Width	32 bits
Access Type	rw
Reset Value	0x0000000D
Description	Component ID0

Register ICCIDR0 Details

Field Name	Bits	Type	Reset Value	Description
	31:0	rw	0xD	ARM-defined fixed values for the preamble for component discovery

Register ([mpcore](#)) ICCIDR1

Name	ICCIDR1
Relative Address	0x00001FF4
Absolute Address	0xF8F01FF4
Width	32 bits
Access Type	rw
Reset Value	0x000000F0
Description	Component ID1

Register ICCIDR1 Details

Field Name	Bits	Type	Reset Value	Description
	31:0	rw	0xF0	ARM-defined fixed values for the preamble for component discovery

### Register ([mpcore](#)) ICCIDR2

Name	ICCIDR2
Relative Address	0x00001FF8
Absolute Address	0xF8F01FF8
Width	32 bits
Access Type	rw
Reset Value	0x00000005
Description	Component ID2

#### Register ICCIDR2 Details

Field Name	Bits	Type	Reset Value	Description
	31:0	rw	0x5	ARM-defined fixed values for the preamble for component discovery

### Register ([mpcore](#)) ICCIDR3

Name	ICCIDR3
Relative Address	0x00001FFC
Absolute Address	0xF8F01FFC
Width	32 bits
Access Type	rw
Reset Value	0x000000B1
Description	Component ID3

#### Register ICCIDR3 Details

Field Name	Bits	Type	Reset Value	Description
	31:0	rw	0xB1	ARM-defined fixed values for the preamble for component discovery

## B.25 On-Chip Memory (ocm)

Module Name	On-Chip Memory (ocm)
Base Address	0xF800C000 ocm
Description	On-Chip Memory Registers
Vendor Info	Xilinx

### Register Summary

Register Name	Address	Width	Type	Reset Value	Description
<a href="#">OCM_PARITY_CTRL</a>	0x00000000	32	mixed	0x00000000	Control fields for RAM parity operation
<a href="#">OCM_PARITY_ERRA DDRESS</a>	0x00000004	32	mixed	0x00000000	Stores the first parity error access address. This register is sticky and will retain its value unless explicitly cleared (written with 1's) with an APB write access. The physical RAM address is logged.
<a href="#">OCM_IRQ_STS</a>	0x00000008	32	mixed	0x00000000	Status of OCM Interrupt
<a href="#">OCM_CONTROL</a>	0x0000000C	32	mixed	0x00000000	Control fields for OCM

### Register ([ocm](#)) OCM\_PARITY\_CTRL

Name	OCM_PARITY_CTRL
Relative Address	0x00000000
Absolute Address	0xF800C000
Width	32 bits
Access Type	mixed
Reset Value	0x00000000
Description	Control fields for RAM parity operation

Register OCM\_PARITY\_CTRL Details

Field Name	Bits	Type	Reset Value	Description
reserved	31:21	ro	0x0	Returns 0 when read
OddParityEn	20:5	rw	0x0	Enable RAM Odd Parity Generation. The default computed parity is even but this can be changed to odd parity via this APB register field. Note that, on reads, parity is always computed as even parity. The odd parity generation option is useful for verification purposes, enabling parity errors to be injected. One control bit per data byte (OddParity[0] controls Data[7:0] e.t.c) 0: Even Parity generated 1: Odd Parity generated
LockFailErrIrqEn	4	rw	0x0	Enable interrupt when an AXI LOCK ("locked access") command is detected.
MultipleParityErrIrqEn	3	rw	0x0	Same as SingleParityErrIrqEn, but enables IRQ on multiple parity errors detected. 0: IRQ is not generated when parity error detected and ParityCheckDis=0 1: IRQ is generated when parity error detected and ParityCheckDis=0.
SingleParityErrIrqEn	2	rw	0x0	Enable interrupt when a single parity error is detected. Note that even if this field is 0, the OCM_IRQ_STS register will still log the error if ParityCheckDis=0. This allows software the option of polling if an error occurred. 0: IRQ is not generated when parity error detected and ParityCheckDis=0 1: IRQ is generated when parity error detected and ParityCheckDis=0.
RdRespParityErrEn	1	rw	0x0	Enable AXI read 'SLVERR' response for parity error detection. 0: Error will not be sent on AXI read channel when parity error detected 1: Error will be sent on AXI read channel when parity error detected and ParityCheckDis=0
ParityCheckDis	0	rw	0x0	Disable RAM Parity Checking. No checking or logging of status will occur when 1. 0: RAM Parity checking is enabled 1: RAM Parity checking is disabled

Register ([ocm](#)) OCM\_PARITY\_ERRADDRESS

Name	OCM_PARITY_ERRADDRESS
Relative Address	0x00000004
Absolute Address	0xF800C004
Width	32 bits
Access Type	mixed
Reset Value	0x00000000
Description	Stores the first parity error access address. This register is sticky and will retain its value unless explicitly cleared (written with 1's) with an APB write access. The physical RAM address is logged.

Register OCM\_PARITY\_ERRADDRESS Details

Field Name	Bits	Type	Reset Value	Description
reserved	31:14	ro	0x0	Return 0 when read
ParityErrAddress	13:0	wtc	0x0	When a parity Error occurs, the access address associated with the error is logged here. The first error address will be held if multiple parity errors occur. Need an explicit write of all '1's' to reset/clear this field.

Register ([ocm](#)) OCM\_IRQ\_STS

Name	OCM_IRQ_STS
Relative Address	0x00000008
Absolute Address	0xF800C008
Width	32 bits
Access Type	mixed
Reset Value	0x00000000
Description	Status of OCM Interrupt

Register OCM\_IRQ\_STS Details

Field Name	Bits	Type	Reset Value	Description
reserved	31:3	ro	0x0	Return 0 when read
LockFailErr	2	wtc	0x0	When set (1), indicates that an AXI LOCK has been attempted (not supported by OCM). This is a sticky bit. Once set it can only be cleared by explicitly writing a 1 to this field. This field drives the interrupt pin. (Associated irq enable bit must be set)

Field Name	Bits	Type	Reset Value	Description
MultipleParityErr	1	wtc	0x0	Status of OCM multiple parity error. This is a sticky bit. Once set it can only be cleared by explicitly writing a 1 to this field. This field drives the interrupt pin. (Associated irq enable bit must be set) 0: Multiple OCM parity Errors have not occurred 1: Multiple OCM parity Errors have occurred
SingleParityErr	0	wtc	0x0	Status of OCM single parity error. This is a sticky bit. Once set it can only be cleared by explicitly writing a 1 to this field. This field drives the interrupt pin (Associated irq enable bit must be set) 0: Single OCM parity Error has not occurred 1: Single OCM parity Error has occurred

### Register ([ocm](#)) OCM\_CONTROL

Name	OCM_CONTROL
Relative Address	0x0000000C
Absolute Address	0xF800C00C
Width	32 bits
Access Type	mixed
Reset Value	0x00000000
Description	Control fields for OCM

### Register OCM\_CONTROL Details

Field Name	Bits	Type	Reset Value	Description
reserved	31:3	ro	0x0	Return 0 when read
ArbShareTopSwScuWr DIs	2	rw	0x0	Controls the arbitration to memory between the topswitch port and the scuwr port. 0: The topsw and the scuWr porst share the memory bandwidth - 50% each. 1: The scuWr takes higher priority over the topswitch port (unless the ScuWrPriorityLo bit is set)
reserved	1	rw	0x0	Reserved. Do not modify.
ScuWrPriorityLo	0	rw	0x0	When set (1), changes the priority of the SCU write port to LOW from Medium

## B.26 Quad-SPI Flash Controller (qspi)

Module Name	Quad-SPI Flash Controller (qspi)
Software Name	XQSPIPS
Base Address	0xE000D000 qspi
Description	LQSPI module Registers
Vendor Info	Xilinx lqspi

### Register Summary

Register Name	Address	Width	Type	Reset Value	Description
<a href="#">Config_reg</a>	0x00000000	32	mixed	x	QSPI configuration register
<a href="#">Intr_status_REG</a>	0x00000004	32	mixed	0x00000004	QSPI interrupt status register
<a href="#">Intrpt_en_REG</a>	0x00000008	32	mixed	0x00000000	Interrupt Enable register.
<a href="#">Intrpt_dis_REG</a>	0x0000000C	32	mixed	0x00000000	Interrupt disable register.
<a href="#">Intrpt_mask_REG</a>	0x00000010	32	ro	0x00000000	Interrupt mask register
<a href="#">En_REG</a>	0x00000014	32	mixed	0x00000000	SPI_Enable Register
<a href="#">Delay_REG</a>	0x00000018	32	rw	0x00000000	Delay Register
<a href="#">TXD0</a>	0x0000001C	32	wo	0x00000000	Transmit Data Register. Keyhole addresses for the Transmit data FIFO. See also TXD1-3.
<a href="#">Rx_data_REG</a>	0x00000020	32	ro	0x00000000	Receive Data Register
<a href="#">Slave_Idle_count_REG</a>	0x00000024	32	mixed	0x000000FF	Slave Idle Count Register
<a href="#">TX_thres_REG</a>	0x00000028	32	rw	0x00000001	TX_FIFO Threshold Register
<a href="#">RX_thres_REG</a>	0x0000002C	32	rw	0x00000001	RX_FIFO Threshold Register
<a href="#">GPIO</a>	0x00000030	32	rw	0x00000001	General Purpose Inputs and Outputs Register for the Quad-SPI Controller core
<a href="#">LPBK_DLY_ADJ</a>	0x00000038	32	rw	0x00000033	Loopback Master Clock Delay Adjustment Register
<a href="#">TXD1</a>	0x00000080	32	wo	0x00000000	Transmit Data Register. Keyhole addresses for the Transmit data FIFO.
<a href="#">TXD2</a>	0x00000084	32	wo	0x00000000	Transmit Data Register. Keyhole addresses for the Transmit data FIFO.

Register Name	Address	Width	Type	Reset Value	Description
<a href="#">TXD3</a>	0x00000088	32	wo	0x00000000	Transmit Data Register. Keyhole addresses for the Transmit data FIFO.
<a href="#">LQSPI_CFG</a>	0x000000A0	32	rw	x	Configuration Register specifically for the Linear Quad-SPI Controller
<a href="#">LQSPI_STS</a>	0x000000A4	9	rw	0x00000000	Status Register specifically for the Linear Quad-SPI Controller
<a href="#">MOD_ID</a>	0x000000FC	32	rw	0x01090101	Module Identification register

### Register ([qspi](#)) Config\_reg

Name	Config_reg
Software Name	CR
Relative Address	0x00000000
Absolute Address	0xE000D000
Width	32 bits
Access Type	mixed
Reset Value	x
Description	QSPI configuration register

### Register Config\_reg Details

Field Name	Bits	Type	Reset Value	Description
leg_flgsh (IFMODE)	31	rw	0x1	Flash memory interface mode control: 0: legacy SPI mode 1: Flash memory interface mode This control is required to enable or disable automatic recognition of instruction bytes in the first byte of a transfer. If this mode is disabled, the core will operate in standard SPI mode, with no dual- or quad-bit input or output capability; the extended bits will be configured as inputs to prevent any driver contention on these pins. If enabled, flash memory interface instructions are automatically recognized and the I/O configured accordingly.
reserved	30:27	ro	0x0	Reserved, read as zero, ignored on write.



Field Name	Bits	Type	Reset Value	Description
endian (ENDIAN)	26	rw	0x0	0 for little endian format when writing to the transmit data register 0x1C or reading from the receive data register 0x20. 1 for big endian format when writing to the transmit data register 0x1C or reading from the receive data register 0x20.
reserved	25:20	ro	0x0	Reserved, read as zero, ignored on write.
Holdb_dr	19	rw	0x0	If set, Holdb and WPn pins are actively driven by the qspi controller in 1-bit and 2-bit modes . If not set, then external pull up is required on HOLDb and WPn pins . Note that this bit doesn't affect the quad(4-bit) mode as Controller always drives these pins in quad mode. It is highly recommended to set this bit always(irrespective of mode of operation) while using QSPI
reserved	18	rw	0x0	Reserved
reserved	17	rw	x	Reserved, do not modify
Man_start_com (MANSTRT)	16	wo	0x0	Manual Start Command 1: start transmission of data 0: don't care
Man_start_en (MANSTRTEN)	15	rw	0x0	Manual Start Enable 1: enables manual start 0: auto mode
Manual_CS (SSFORCE)	14	rw	0x0	Manual CS 1: manual CS mode 0: auto mode
reserved	13:11	rw	0x0	Reserved
PCS	10	rw	0x0	Peripheral chip select line, directly drive n_ss_out if Manual_C is set
reserved	9	rw	0x0	Reserved
REF_CLK	8	rw	0x0	Reserved. Must be 0
FIFO_WIDTH	7:6	rw	0x0	FIFO width Must be set to 2'b11 (32bits). All other settings are not supported.

Field Name	Bits	Type	Reset Value	Description
BAUD_RATE_DIV	5:3	rw	0x0	Master mode baud rate divisor 000: divide by 2. This is the only baud rate setting that can be used if the loopback clock is enabled (USE_LPBK). This setting also works in non-loopback mode. 001: divide by 4 010: divide by 8 011: divide by 16 100: divide by 32 101: divide by 64 110: divide by 128 111: divide by 256
CLK_PH (CPHA)	2	rw	0x0	Clock phase 1: the QSPI clock is inactive outside the word 0: the QSPI clock is active outside the word Note : For {CLK_PH, CLK_POL}, only 2'b11 and 2'b00 are supported.
CLK_POL (CPOL)	1	rw	0x0	Clock polarity outside QSPI word 1: The QSPI clock is quiescent high 0: The QSPI clock is quiescent low Note : For {CLK_PH, CLK_POL}, only 2'b11 and 2'b00 are supported.
MODE_SEL (MSTREN)	0	rw	0x0	Mode select 1: The QSPI is in master mode 0: RESERVED In QSPI boot mode, ROM code will set this bit. In other boot modes, this bit must be set before using QSPI.

### Register ([qspi](#)) Intr\_status\_REG

Name	Intr_status_REG
Software Name	SR
Relative Address	0x00000004
Absolute Address	0xE000D004
Width	32 bits
Access Type	mixed
Reset Value	0x00000004
Description	QSPI interrupt status register

### Register Intr\_status\_REG Details

This register is set when the described event occurs. Interrupt mask value does not affect interrupt status register. Mask value is only used to mask interrupt output.

Bit 0 and 6 are write to clear. All other bits are read only.

Field Name	Bits	Type	Reset Value	Description
reserved	31:7	ro	0x0	Reserved, read as zero, ignored on write.
TX_FIFO_underflow (IXR_TXUF)	6	wtc	0x0	TX FIFO underflow, write one to this bit location to clear. 1: underflow is detected 0: no underflow has been detected Write 1 to this bit location to clear
RX_FIFO_full (IXR_RXFULL)	5	ro	0x0	RX FIFO full (current FIFO status) 1: FIFO is full 0: FIFO is not full
RX_FIFO_not_empty (IXR_RXNEMPTY)	4	ro	0x0	RX FIFO not empty (current FIFO status) 1: FIFO has more than or equal to THRESHOLD entries 0: FIFO has less than RX THRESHOLD entries
TX_FIFO_full (IXR_TXFULL)	3	ro	0x0	TX FIFO full (current FIFO status) 1: FIFO is full 0: FIFO is not full
TX_FIFO_not_full (IXR_TXOW)	2	ro	0x1	TX FIFO not full (current FIFO status) 1: FIFO has less than THRESHOLD entries 0: FIFO has more than or equal to THRESHOLD entries
reserved	1	ro	0x0	Reserved, read as zero, ignored on write.
RX_OVERFLOW (IXR_RXOVR)	0	wtc	0x0	Receive Overflow interrupt, write one to this bit location to clear. 1: overflow occurred 0: no overflow occurred Write 1 to this bit location to clear

### Register ([qspi](#)) Intrpt\_en\_REG

Name	Intrpt_en_REG
Software Name	IER
Relative Address	0x00000008
Absolute Address	0xE000D008
Width	32 bits
Access Type	mixed

Reset Value            0x00000000  
 Description            Interrupt Enable register.

**Register Intrpt\_en\_REG Details**

Writing a 1 to this register sets the corresponding bits of the interrupt mask register.

Field Name	Bits	Type	Reset Value	Description
reserved	31:7	ro	0x0	Reserved, read as zero, ignored on write.
TX_FIFO_underflow (IXR_TXUF)	6	wo	0x0	TX FIFO underflow enable 1: enable the interrupt 0: no effect
RX_FIFO_full (IXR_RXFULL)	5	wo	0x0	RX FIFO full enable 1: enable the interrupt 0: no effect
RX_FIFO_not_empty (IXR_RXNEMPTY)	4	wo	0x0	RX FIFO not empty enable 1: enable the interrupt 0: no effect
TX_FIFO_full (IXR_TXFULL)	3	wo	0x0	TX FIFO full enable 1: enable the interrupt 0: no effect
TX_FIFO_not_full (IXR_TXOW)	2	wo	0x0	TX FIFO not full enable 1: enable the interrupt 0: no effect
reserved	1	wo	0x0	Reserved, read as zero, ignored on write.
RX_OVERFLOW (IXR_RXOVR)	0	wo	0x0	Receive Overflow interrupt enable 1: enable the interrupt 0: no effect

**Register ([qspi](#)) Intrpt\_dis\_REG**

Name                    Intrpt\_dis\_REG  
 Software Name        IDR  
 Relative Address     0x0000000C  
 Absolute Address    0xE000D00C  
 Width                 32 bits

Access Type            mixed  
 Reset Value            0x00000000  
 Description            Interrupt disable register.

Register Intrpt\_dis\_REG Details

Field Name	Bits	Type	Reset Value	Description
reserved	31:7	ro	0x0	Reserved, read as zero, ignored on write.
TX_FIFO_underflow (IXR_TXUF)	6	wo	0x0	TX FIFO underflow enable 1: disables the interrupt 0: no effect
RX_FIFO_full (IXR_RXFULL)	5	wo	0x0	RX FIFO full enable 1: disables the interrupt 0: no effect
RX_FIFO_not_empty (IXR_RXNEMPTY)	4	wo	0x0	RX FIFO not empty enable 1: disables the interrupt 0: no effect
TX_FIFO_full (IXR_TXFULL)	3	wo	0x0	TX FIFO full enable 1: disables the interrupt 0: no effect
TX_FIFO_not_full (IXR_TXOW)	2	wo	0x0	TX FIFO not full enable 1: disables the interrupt 0: no effect
reserved	1	wo	0x0	Reserved
RX_OVERFLOW (IXR_RXOVR)	0	wo	0x0	Receive Overflow interrupt enable 1: disables the interrupt 0: no effect

Register ([gspi](#)) Intrpt\_mask\_REG

Name                    Intrpt\_mask\_REG  
 Software Name         IMR  
 Relative Address      0x00000010  
 Absolute Address     0xE000D010  
 Width                  32 bits

Access Type                ro  
 Reset Value                0x00000000  
 Description                Interrupt mask register

Register Intrpt\_mask\_REG Details

Field Name	Bits	Type	Reset Value	Description
reserved	31:7	ro	0x0	Reserved, read as zero, ignored on write.
TX_FIFO_underflow (IXR_TXUF)	6	ro	0x0	TX FIFO underflow enable 0: interrupt is disabled 1: interrupt is enabled
RX_FIFO_full (IXR_RXFULL)	5	ro	0x0	RX FIFO full enable 0: interrupt is disabled 1: interrupt is enabled
RX_FIFO_not_empty (IXR_RXNEMPTY)	4	ro	0x0	RX FIFO not empty enable 0: interrupt is disabled 1: interrupt is enabled
TX_FIFO_full (IXR_TXFULL)	3	ro	0x0	TX FIFO full enable 0: interrupt is disabled 1: interrupt is enabled
TX_FIFO_not_full (IXR_TXOW)	2	ro	0x0	TX FIFO not full enable 0: interrupt is disabled 1: interrupt is enabled
reserved	1	ro	0x0	Reserved
RX_OVERFLOW (IXR_RXOVR)	0	ro	0x0	Receive Overflow interrupt enable 0: interrupt is disabled 1: interrupt is enabled

Register ([gspi](#)) En\_REG

Name                        En\_REG  
 Software Name              ER  
 Relative Address            0x00000014  
 Absolute Address            0xE000D014  
 Width                        32 bits

Access Type            mixed  
 Reset Value            0x00000000  
 Description            SPI\_Enable Register

Register En\_REG Details

Field Name	Bits	Type	Reset Value	Description
reserved	31:1	ro	0x0	Reserved, read as zero, ignored on write.
SPI_EN (ENABLE)	0	rw	0x0	SPI_Enable 1: enable the SPI 0: disable the SPI

Register ([qspi](#)) Delay\_REG

Name                    Delay\_REG  
 Software Name         DR  
 Relative Address      0x00000018  
 Absolute Address     0xE000D018  
 Width                  32 bits  
 Access Type            rw  
 Reset Value            0x00000000  
 Description            Delay Register

Register Delay\_REG Details

This register is only used in master mode to introduce relative delays into the generation of the master output signals. All timings are defined in cycles of the SPI REFERENCE CLOCK/ext\_clk, defined in this table as SPI master ref clock.

Field Name	Bits	Type	Reset Value	Description
d_nss	31:24	rw	0x0	Delay in SPI REFERENCE CLOCK or ext_clk cycles for the length that the master mode chip select outputs are de-asserted between words when cpha=0.
d_btwn (BTWN)	23:16	rw	0x0	Delay in SPI REFERENCE CLOCK or ext_clk cycles between one chip select being de-activated and the activation of another
d_after (AFTER)	15:8	rw	0x0	Delay in SPI REFERENCE CLOCK or ext_clk cycles between last bit of current word and the first bit of the next word.
d_int (INIT)	7:0	rw	0x0	Added delay in SPI REFERENCE CLOCK or ext_clk cycles between setting n_ss_out low and first bit transfer.

### Register ([qspi](#)) TXD0

Name	TXD0
Software Name	TXD_00
Relative Address	0x0000001C
Absolute Address	0xE000D01C
Width	32 bits
Access Type	wo
Reset Value	0x00000000
Description	Transmit Data Register. Keyhole addresses for the Transmit data FIFO. See also TXD1-3.

#### Register TXD0 Details

Field Name	Bits	Type	Reset Value	Description
TXD	31:0	wo	0x0	Data to TX FIFO, for 4-byte instruction for normal read/write data transfer.

### Register ([qspi](#)) Rx\_data\_REG

Name	Rx_data_REG
Software Name	RXD
Relative Address	0x00000020
Absolute Address	0xE000D020
Width	32 bits
Access Type	ro
Reset Value	0x00000000
Description	Receive Data Register

#### Register Rx\_data\_REG Details

Field Name	Bits	Type	Reset Value	Description
RX_FIFO_data	31:0	ro	0x0	Data from TX FIFO

### Register ([qspi](#)) Slave\_Idle\_count\_REG

Name	Slave_Idle_count_REG
Software Name	SICR
Relative Address	0x00000024
Absolute Address	0xE000D024



Width 32 bits  
 Access Type mixed  
 Reset Value 0x000000FF  
 Description Slave Idle Count Register

Register Slave\_Idle\_count\_REG Details

Field Name	Bits	Type	Reset Value	Description
reserved	31:8	ro	0x0	Reserved, read as zero, ignored on write.
Slave_Idle_coun (MASK)	7:0	rw	0xFF	SPI in slave mode detects a start only when the external SPI master serial clock (sclk_in) is stable (quiescent state) for SPI REFERENCE CLOCK cycles specified by slave idle count register or when the SPI is deselected.

Register (qspi) TX\_thres\_REG

Name TX\_thres\_REG  
 Software Name TXWR  
 Relative Address 0x00000028  
 Absolute Address 0xE000D028  
 Width 32 bits  
 Access Type rw  
 Reset Value 0x00000001  
 Description TX\_FIFO Threshold Register

Register TX\_thres\_REG Details

Field Name	Bits	Type	Reset Value	Description
Threshold_of_TX_FIFO	31:0	rw	0x1	Defines the level at which the TX FIFO not full interrupt is generated

Register (qspi) RX\_thres\_REG

Name RX\_thres\_REG  
 Relative Address 0x0000002C  
 Absolute Address 0xE000D02C  
 Width 32 bits  
 Access Type rw

Reset Value 0x00000001  
 Description RX FIFO Threshold Register

Register RX\_thres\_REG Details

Field Name	Bits	Type	Reset Value	Description
Threshold_of_RX_FIFO	31:0	rw	0x1	Defines the level at which the RX FIFO not empty interrupt is generated

Register (qspi) GPIO

Name GPIO  
 Relative Address 0x00000030  
 Absolute Address 0xE000D030  
 Width 32 bits  
 Access Type rw  
 Reset Value 0x00000001  
 Description General Purpose Inputs and Outputs Register for the Quad-SPI Controller core

Register GPIO Details

Field Name	Bits	Type	Reset Value	Description
reserved	31:1	rw	0x0	Reserved for future GPIO.
WP_N	0	rw	0x1	Write Protect. Write Protect output for flash devices supporting this function. Active low (may be inverted externally to the core if required for flash devices requiring active high write protect signal.)

Register (qspi) LPBK\_DLY\_ADJ

Name LPBK\_DLY\_ADJ  
 Relative Address 0x00000038  
 Absolute Address 0xE000D038  
 Width 32 bits  
 Access Type rw  
 Reset Value 0x00000033  
 Description Loopback Master Clock Delay Adjustment Register

### Register LPBK\_DLY\_ADJ Details

Register for adjusting the internal loopback clock delay for read data capturing.

This feature is only active if bit 5 is set AND if the baud rate divisor in reg 0x00 is programmed to 2 (i.e., 000).

Field Name	Bits	Type	Reset Value	Description
reserved	31:9	rw	0x0	Reserved.
LPBK_SEL	8	rw	0x0	Set to 0, do not modify
LPBK_PH	7	rw	0x0	Set to 0, do not modify
reserved	6	rw	0x0	Set to 0, do not modify
USE_LPBK	5	rw	0x1	Use internal loopback master clock for read data capturing when baud rate divisor (reg 0x00) is 2
DLY1	4:3	rw	0x2	Must be set to 00 if Loopback clk used
DLY0	2:0	rw	0x3	Must be set to 00 if Loopback clk used

### Register ([qspi](#)) TXD1

Name	TXD1
Software Name	TXD_01
Relative Address	0x00000080
Absolute Address	0xE000D080
Width	32 bits
Access Type	wo
Reset Value	0x00000000
Description	Transmit Data Register. Keyhole addresses for the Transmit data FIFO.

### Register TXD1 Details

Field Name	Bits	Type	Reset Value	Description
TXD	31:0	wo	0x0	Data to TX FIFO, for 1-byte instruction, not for normal data transfer. In little endian mode (default), only bits 7:0 are valid, bits 31:8 are ignored. In big endian mode, only the 8 MS bits are valid.

### Register ([qspi](#)) TXD2

Name	TXD2
Software Name	TXD_10
Relative Address	0x00000084

Absolute Address 0xE000D084  
 Width 32 bits  
 Access Type wo  
 Reset Value 0x00000000  
 Description Transmit Data Register. Keyhole addresses for the Transmit data FIFO.

Register TXD2 Details

Field Name	Bits	Type	Reset Value	Description
TXD	31:0	wo	0x0	Data to TX FIFO, for 2-byte instruction, not for normal data transfer. In little endian mode (default), only bits 15:0 are valid, bits 31:16 are ignored. In big endian mode, only the 16 MS bits are valid.

Register ([qspi](#)) TXD3

Name TXD3  
 Software Name TXD\_11  
 Relative Address 0x00000088  
 Absolute Address 0xE000D088  
 Width 32 bits  
 Access Type wo  
 Reset Value 0x00000000  
 Description Transmit Data Register. Keyhole addresses for the Transmit data FIFO.

Register TXD3 Details

Field Name	Bits	Type	Reset Value	Description
TXD	31:0	wo	0x0	Data to TX FIFO, for 3-byte instruction, not for normal data transfer. In little endian mode (default), only bits 23:0 are valid, bits 31:24 are ignored. In big endian mode, only the 24 MS bits are valid.

Register ([qspi](#)) LQSPI\_CFG

Name LQSPI\_CFG  
 Software Name LQSPI\_CR  
 Relative Address 0x000000A0

Absolute Address	0xE000D0A0
Width	32 bits
Access Type	rw
Reset Value	x
Description	Configuration Register specifically for the Linear Quad-SPI Controller

## Register LQSPI\_CFG Details

Field Name	Bits	Type	Reset Value	Description
LQ_MODE (LINEAR)	31	rw	0x0	Linear quad SPI mode, if set, else quad SPI mode
TWO_MEM	30	rw	0x0	Both upper and lower memories are active, if set
SEP_BUS	29	rw	0x0	Separate memory bus, if set. Only has meaning if bit 30 is set
U_PAGE	28	rw	0x0	Upper memory page, if set. Only has meaning if bit 30 is set AND bit 29 is clear AND bit 31 is clear. In LQSPI mode, address bit 25 will indicate lower (0) or upper (1) page. In IO mode, this bit is used to select the lower or upper memory for configuration or read/write operations.
reserved	27	rw	0x0	Reserved
reserved	26	rw	x	Reserved. Write to this location may lead to unpredictable behavior.
MODE_EN	25	rw	0x1	Enable MODE_BITS[23:16] to be sent, if set. This bit <b>MUST BE SET</b> for dual I/O or quad I/O read (specified through [7:0]). This bit <b>MUST BE CLEAR</b> for all other read modes as they do not have mode bits. If this bit is 0, bits 24, and [23:16] are ignored. Here is a summary of how bits 25, 24 and 23:16 are related: if ( [ Bit25 == 0 ] && [ Bit24 == x ] ) then [ Bits23:16 = x ] if ( [ Bit25 == 1 ] && [ Bit24 == 0 ] ) then [ Bits23:16 = ~(8'bxx10xxxx) ] if ( [ Bit25 == 1 ] && [ Bit24 == 1 ] ) then [ Bits23:16 = 8'bxx10xxxx ]

Field Name	Bits	Type	Reset Value	Description
MODE_ON	24	rw	0x1	This bit is only relevant if bit 25 is set, else it is ignored. If this bit is set, instruction code is only sent for the very first read transfer. If this bit is clear, instruction code will be sent for all read transfers. This bit is configured in association with the MODE_BITS. For Winbond devices, this bit MUST BE SET if the MODE_BITS are 8'bx10xxxx, else this bit MUST BE CLEAR.
MODE_BITS	23:16	rw	0xA0	These bits are only relevant if bit 25 is set, else it is ignored. If bit 25 is set, this value is required for both dual I/O read and quad I/O read. See vendor's datasheet for more information. For Winbond's device, the continuous read mode value is 8'bx10xxxx to skip the instruction code for the next read transfer, else instruction code is sent for all read transfers. Bit 24 has to be configured accordingly with this value.
reserved	15:11	rw	x	Reserved, value is undefined when read.
DUMMY_BYTE (DUMMY)	10:8	rw	0x2	Number of dummy bytes between address and return read data
INST_CODE (INST)	7:0	rw	0xEB	Read instruction code. The known read instruction codes are: 8'h03 - Read 8'h0B - Fast read 8'h3B - Fast read dual output 8'h6B - Fast read quad output 8'hBB - Fast read dual I/O 8'hEB - Fast read quad I/O

### Register ([qspi](#)) LQSPI\_STS

Name	LQSPI_STS
Software Name	LQSPI_SR
Relative Address	0x000000A4
Absolute Address	0xE000D0A4
Width	9 bits
Access Type	rw

Reset Value 0x00000000  
 Description Status Register specifically for the Linear Quad-SPI Controller

Register LQSPI\_STS Details

Field Name	Bits	Type	Reset Value	Description
reserved	8:3	rw	0x0	Reserved
D_FSM_ERR (FB_RECVD)	2	rw	0x0	Data FSM error, if set
WR_RECVD	1	rw	0x0	AXI write command received, if set
reserved	0	rw	0x0	Reserved

Register ([qspi](#)) MOD\_ID

Name MOD\_ID  
 Relative Address 0x000000FC  
 Absolute Address 0xE00D0FC  
 Width 32 bits  
 Access Type rw  
 Reset Value 0x01090101  
 Description Module Identification register

Register MOD\_ID Details

Field Name	Bits	Type	Reset Value	Description
	31:0	rw	0x1090101	Module ID value.

## B.27 SD Controller (sdio)

Module Name	SD Controller (sdio)
Base Address	0xE0100000 sd0 0xE0101000 sd1
Description	SD2.0/ SDIO2.0/ MMC3.31 AHB Host ControllerRegisters
Vendor Info	

### Register Summary

Register Name	Address	Width	Type	Reset Value	Description
<a href="#">SDMA_system_addresses_register</a>	0x00000000	32	rw	0x00000000	System DMA Address Register
<a href="#">Block_Size_Block_Count</a>	0x00000004	32	mixed	0x00000000	Block size register Block count register
<a href="#">Argument</a>	0x00000008	32	rw	0x00000000	Argument register
<a href="#">Transfer_Mode_Command</a>	0x0000000C	32	mixed	0x00000000	Transfer mode register Command register
<a href="#">Response0</a>	0x00000010	32	ro	0x00000000	Response register
<a href="#">Response1</a>	0x00000014	32	ro	0x00000000	Response register
<a href="#">Response2</a>	0x00000018	32	ro	0x00000000	Response register
<a href="#">Response3</a>	0x0000001C	32	ro	0x00000000	Response register
<a href="#">Buffer_Data_Port</a>	0x00000020	32	rw	0x00000000	Buffer data port register
<a href="#">Present_State</a>	0x00000024	25	ro	0x01F20000	Present State register
<a href="#">Host_control_Power_control_Block_Gap_Control_Wakeup_control</a>	0x00000028	32	mixed	0x00000000	Host control register Power control register Block gap control register Wake-up control register
<a href="#">Clock_Control_Timeout_control_Software_reset</a>	0x0000002C	27	mixed	0x00000000	Clock Control register Timeout control register Software reset register
<a href="#">Normal_interrupt_status_Error_interrupt_status</a>	0x00000030	30	mixed	0x00000000	Normal interrupt status register Error interrupt status register
<a href="#">Normal_interrupt_status_enable_Error_interrupt_status_enable</a>	0x00000034	30	mixed	0x00000000	Normal interrupt status enable register Error interrupt status enable register



Register Name	Address	Width	Type	Reset Value	Description
<a href="#">Normal interrupt signal enable register</a> <a href="#">Error interrupt signal enable register</a>	0x00000038	30	mixed	0x00000000	Normal interrupt signal enable register Error interrupt signal enable register
<a href="#">Auto CMD12 error status register</a>	0x0000003C	8	ro	0x00000000	Auto CMD12 error status register
<a href="#">Capabilities register</a>	0x00000040	31	ro	0x69EC0080	Capabilities register
<a href="#">Maximum current capabilities register</a>	0x00000048	24	ro	0x00000001	Maximum current capabilities register
<a href="#">Force event register for Auto CMD12 error status register</a> <a href="#">Force event register for error interrupt status</a>	0x00000050	32	mixed	0x00000000	Force event register for Auto CMD12 error status register Force event register for error interrupt status
<a href="#">ADMA error status register</a>	0x00000054	3	mixed	0x00000000	ADMA error status register
<a href="#">ADMA system address register</a>	0x00000058	32	rw	0x00000000	ADMA system address register
<a href="#">Boot Timeout control register</a>	0x00000060	32	rw	0x00000000	Boot Timeout control register
<a href="#">Debug Selection Register</a>	0x00000064	1	wo	0x00000000	Debug Selection Register
<a href="#">SPI interrupt support register</a>	0x000000F0	8	rw	0x00000000	SPI interrupt support register
<a href="#">Slot interrupt status register and Host controller version register</a>	0x000000FC	32	ro	0x89010000	Slot interrupt status register and Host controller version register

### Register ([sdio](#)) SDMA\_system\_address\_register

Name	SDMA_system_address_register
Relative Address	0x00000000
Absolute Address	sd0: 0xE0100000 sd1: 0xE0101000
Width	32 bits
Access Type	rw
Reset Value	0x00000000
Description	System DMA Address Register

#### Register SDMA\_system\_address\_register Details

This register contains the system memory address for a DMA transfer. When the Host Controller (HC) stops a DMA transfer, this register shall point to the system address of the next contiguous data position. It can be accessed only if no transaction is executing (i.e. after a transaction has stopped). Read operations during transfer return an invalid value. The Host Driver (HD) shall initialize this register before starting a DMA transaction. After DMA has stopped, the next system address of the next contiguous data position can be read from this register. The DMA transfer waits at every boundary specified by the Host DMA

Buffer Size in the Block Size register. The Host Controller generates DMA Interrupt to request to update this register. The HD sets the next system address of the next data position to this register. When most upper byte of this register (003h) is written, the HC restart the DMA transfer. When restarting DMA by the resume command or by setting Continue Request in the Block Gap Control register, the HC shall start at the next contiguous address stored here in the System Address register

Field Name	Bits	Type	Reset Value	Description
SDMA_System_Addre ss	31:0	rw	0x0	Watchdog enable - if set, the watchdog is enabled and can generate any signals that are enabled.

### Register ([sdio](#)) Block\_Size\_Block\_Count

Name	Block_Size_Block_Count
Relative Address	0x00000004
Absolute Address	sd0: 0xE0100004 sd1: 0xE0101004
Width	32 bits
Access Type	mixed
Reset Value	0x00000000
Description	Block size register Block count register

Register Block\_Size\_Block\_Count Details

Field Name	Bits	Type	Reset Value	Description
Blocks_Count_for_Current_Transfer	31:16	rw	0x0	<p>This register is enabled when Block Count Enable in the Transfer Mode register is set to 1 and is valid only for multiple block transfers. The HC decrements the block count after each block transfer and stops when the count reaches zero. It can be accessed only if no transaction is executing (i.e. after a transaction has stopped). Read operations during transfer return an invalid value and write operations shall be ignored. When saving transfer context as a result of Suspend command, the number of blocks yet to be transferred can be determined by reading this register. When restoring transfer context prior to issuing a Resume command, the HD shall restore the previously save block count.</p> <p>0000h - Stop Count                      0001h - 1 block                      0002h - 2 blocks                      --- ---                      FFFFh - 65535 blocks</p>
reserved	15	ro	0x0	Reserved

Field Name	Bits	Type	Reset Value	Description
Host_SDMA_Buffer_Size	14:12	rw	0x0	<p>To perform long DMA transfer, the System Address register shall be updated at every system boundary during a DMA transfer. These bits specify the size of contiguous buffer in the system memory. The DMA transfer shall wait at every boundary specified by these fields and the HC generates the DMA Interrupt to request the HD to update the System Address register.</p> <p>These bits shall support when the DMA Support in the Capabilities register is set to 1 and this function is active when the DMA Enable in the Transfer Mode register is set to 1.</p> <p>000b - 4KB(Detects A11 Carry out)            001b - 8KB(Detects A12 Carry out)            010b - 16KB(Detects A13 Carry out)            011b - 32KB(Detects A14 Carry out)            100b - 64KB(Detects A15 Carry out)            101b -128KB(Detects A16 Carry out)            110b - 256KB(Detects A17 Carry out)            111b - 512KB(Detects A18 Carry out)</p>
Transfer_Block_Size	11:0	rw	0x0	<p>This register specifies the block size for block data transfers for CMD17, CMD18, CMD24, CMD25, and CMD53. It can be accessed only if no transaction is executing (i.e. after a transaction has stopped). Read operations during transfer return an invalid value and write operations shall be ignored.</p> <p>0000h - No Data Transfer            0001h - 1 Byte            0002h - 2 Bytes            0003h - 3 Bytes            0004h - 4 Bytes            --- ---            01FFh - 511 Bytes            0200h - 512 Bytes            --- ---            0800h - 2048 Bytes</p>

Register ([sdio](#)) Argument

Name                      Argument  
 Relative Address        0x00000008  
 Absolute Address        sd0: 0xE0100008  
                               sd1: 0xE0101008

Width 32 bits  
 Access Type rw  
 Reset Value 0x00000000  
 Description Argument register

Register Argument Details

Field Name	Bits	Type	Reset Value	Description
Command_Argument	31:0	rw	0x0	The SD Command Argument is specified as bit 39-8 of Command-Format.

Register ([sdio](#)) Transfer\_Mode\_Command

Name Transfer\_Mode\_Command  
 Relative Address 0x0000000C  
 Absolute Address sd0: 0xE010000C  
 sd1: 0xE010100C  
 Width 32 bits  
 Access Type mixed  
 Reset Value 0x00000000  
 Description Transfer mode register  
 Command register

Register Transfer\_Mode\_Command Details

Field Name	Bits	Type	Reset Value	Description
reserved	31:30	ro	0x0	Reserved
Command_Index	29:24	rw	0x0	This bit shall be set to the command number (CMD0-63, ACMD0-63).

Field Name	Bits	Type	Reset Value	Description
Command_Type	23:22	rw	0x0	<p>There are three types of special commands. Suspend, Resume and Abort. These bits shall be set to 00b for all other commands. Suspend Command If the Suspend command succeeds, the HC shall assume the SD Bus has been released and that it is possible to issue the next command which uses the DAT line. The HC shall de-assert Read Wait for read transactions and stop checking busy for write transactions. The Interrupt cycle shall start, in 4-bit mode. If the Suspend command fails, the HC shall maintain its current state. and the HD shall restart the transfer by setting Continue Request in the Block Gap Control Register. Resume Command The HD re-starts the data transfer by restoring the registers in the range of 000-00Dh. The HC shall check for busy before starting write transfers. Abort Command If this command is set when executing a read transfer, the HC shall stop reads to the buffer. If this command is set when executing a write transfer, the HC shall stop driving the DAT line. After issuing the Abort command, the HD should issue a software reset</p> <p>00b - Normal            01b - Suspend            10b - Resume            11b - Abort</p>
Data_Present_Select	21	rw	0x0	<p>This bit is set to 1 to indicate that data is present and shall be transferred using the DAT line. If is set to 0 for the following:</p> <ol style="list-style-type: none"> <li>1. Commands using only CMD line (ex. CMD52)</li> <li>2. Commands with no data transfer but using busy signal on DAT[0] line (R1b or R5b ex. CMD38)</li> <li>3. Resume Command</li> </ol> <p>0 - No Data Present            1 - Data Present</p>
Command_Index_Check_Enable	20	rw	0x0	<p>If this bit is set to 1, the HC shall check the index field in the response to see if it has the same value as the command index. If it is not, it is reported as a Command Index Error. If this bit is set to 0, the Index field is not checked.</p> <p>0 - Disable            1 - Enable</p>

Field Name	Bits	Type	Reset Value	Description
Command_CRC_Check_Enable	19	rw	0x0	If this bit is set to 1, the HC shall check the CRC field in the response. If an error is detected, it is reported as a Command CRC Error. If this bit is set to 0, the CRC field is not checked. 0 - Disable 1 - Enable
reserved	18	ro	0x0	Reserved
Response_Type_Select	17:16	rw	0x0	Response Type Select 00 - No Response 01 - Response length 136 10 - Response length 48 11 - Response length 48 check Busy after response
reserved	15:6	ro	0x0	Reserved
Multi_Single_Block_Select	5	rw	0x0	This bit enables multiple block DAT line data transfers. 0 - Single Block 1 - Multiple Block
Data_Transfer_Direction_Select	4	rw	0x0	This bit defines the direction of DAT line data transfers. 0 - Write (Host to Card) 1 - Read (Card to Host)
reserved	3	ro	0x0	Reserved
Auto_CMD12_Enable	2	rw	0x0	Multiple block transfers for memory require CMD12 to stop the transaction. When this bit is set to 1, the HC shall issue CMD12 automatically when last block transfer is completed. The HD shall not set this bit to issue commands that do not require CMD12 to stop data transfer. 0 - Disable 1 - Enable
Block_Count_Enable	1	rw	0x0	This bit is used to enable the Block count register, which is only relevant for multiple block transfers. When this bit is 0, the Block Count register is disabled, which is useful in executing an infinite transfer. 0 - Disable 1 - Enable
DMA_Enable	0	rw	0x0	DMA can be enabled only if DMA Support bit in the Capabilities register is set. If this bit is set to 1, a DMA operation shall begin when the HD writes to the upper byte of Command register (00Fh). 0 - Disable 1 - Enable

### Register ([sdio](#)) Response0

Name	Response0
Relative Address	0x00000010
Absolute Address	sd0: 0xE0100010 sd1: 0xE0101010
Width	32 bits
Access Type	ro
Reset Value	0x00000000
Description	Response register

Note: This register is the first in an array of 4 identical registers listed in the table below. The details provided in this section apply to the entire array.

Name	Address
Response0	0xe0100010
Response1	0xe0100014
Response2	0xe0100018
Response3	0xe010001c

#### Register Response0 to Response3 Details

Field Name	Bits	Type	Reset Value	Description
Command_Response	31:0	ro	0x0	command responses registers

### Register ([sdio](#)) Buffer\_Data\_Port

Name	Buffer_Data_Port
Relative Address	0x00000020
Absolute Address	sd0: 0xE0100020 sd1: 0xE0101020
Width	32 bits
Access Type	rw
Reset Value	0x00000000
Description	Buffer data port register

#### Register Buffer\_Data\_Port Details

Field Name	Bits	Type	Reset Value	Description
Buffer_Data	31:0	rw	0x0	The Host Controller Buffer can be accessed through this 32-bit Data Port Register.



### Register ([sdio](#)) Present\_State

Name	Present_State
Relative Address	0x00000024
Absolute Address	sd0: 0xE0100024 sd1: 0xE0101024
Width	25 bits
Access Type	ro
Reset Value	0x01F20000
Description	Present State register

#### Register Present\_State Details

Field Name	Bits	Type	Reset Value	Description
CMD_Line_Signal_Level	24	ro	0x1	This status is used to check CMD line level to recover from errors, and for debugging.
DAT_Bit3_Bit0_Line_Signal_Level	23:20	ro	0xF	This status is used to check DAT line level to recover from errors, and for debugging. This is especially useful in detecting the busy signal level from DAT[0]. D23 - DAT[3] D22 - DAT[2] D21 - DAT[1] D20 - DAT[0]
Write_Protect_Switch_Pin_Level	19	ro	0x0	The Write Protect Switch is supported for memory and combo cards. This bit reflects the SDWP# pin. 0 - Write protected (SDWP# = 0) 1 - Write enabled (SDWP# = 1)
Card_Detect_Pin_Level	18	ro	0x0	This bit reflects the inverse value of the SDCD# pin. 0 - No Card present (SDCD# = 1) 1 - Card present (SDCD# = 0)
Card_State_Stable	17	ro	0x1	This bit is used for testing. If it is 0, the Card Detect Pin Level is not stable. If this bit is set to 1, it means the Card Detect Pin Level is stable. The Software Reset For All in the Software Reset Register shall not affect this bit. 0 - Reset of Debouncing 1 - No Card or Inserted

Field Name	Bits	Type	Reset Value	Description
Card_Inserted	16	ro	0x0	<p>This bit indicates whether a card has been inserted. Changing from 0 to 1 generates a Card Insertion interrupt in the Normal Interrupt Status register and changing from 1 to 0 generates a Card Removal Interrupt in the Normal Interrupt Status register. The Software Reset For All in the Software Reset register shall not affect this bit. If a Card is removed while its power is on and its clock is oscillating, the HC shall clear SD Bus Power in the Power Control register and SD Clock Enable in the Clock control register. In addition the HD should clear the HC by the Software Reset For All in Software register. The card detect is active regardless of the SD Bus Power.</p> <p>0 - Reset or Debouncing or No Card 1 - Card Inserted</p>
reserved	15:12	ro	0x0	Reserved
Buffer_Read_Enable	11	ro	0x0	<p>This status is used for non-DMA read transfers. This read only flag indicates that valid data exists in the host side buffer status. If this bit is 1, readable data exists in the buffer. A change of this bit from 1 to 0 occurs when all the block data is read from the buffer. A change of this bit from 0 to 1 occurs when all the block data is ready in the buffer and generates the Buffer Read Ready Interrupt.</p> <p>0 - Read Disable 1 - Read Enable.</p>
Buffer_Write_Enable	10	ro	0x0	<p>This status is used for non-DMA write transfers. This read only flag indicates if space is available for write data. If this bit is 1, data can be written to the buffer. A change of this bit from 1 to 0 occurs when all the block data is written to the buffer. A change of this bit from 0 to 1 occurs when top of block data can be written to the buffer and generates the Buffer Write Ready Interrupt.</p> <p>0 - Write Disable 1 - Write Enable.</p>

Field Name	Bits	Type	Reset Value	Description
Read_Transfer_Active	9	ro	0x0	<p>This status is used for detecting completion of a read transfer.</p> <p>This bit is set to 1 for either of the following conditions:</p> <ol style="list-style-type: none"> <li>1. After the end bit of the read command</li> <li>2. When writing a 1 to continue Request in the Block Gap Control register to restart a read transfer</li> </ol> <p>This bit is cleared to 0 for either of the following conditions:</p> <ol style="list-style-type: none"> <li>1. When the last data block as specified by block length is transferred to the system.</li> <li>2. When all valid data blocks have been transferred to the system and no current block transfers are being sent as a result of the Stop At Block Gap Request set to 1. A transfer complete interrupt is generated when this bit changes to 0.</li> </ol> <p>1 - Transferring data 0 - No valid data</p>
Write_Transfer_Active	8	ro	0x0	<p>This status indicates a write transfer is active. If this bit is 0, it means no valid write data exists in the HC. This bit is set in either of the following cases:</p> <ol style="list-style-type: none"> <li>1. After the end bit of the write command.</li> <li>2. When writing a 1 to Continue Request in the Block Gap Control register to restart a write transfer.</li> </ol> <p>This bit is cleared in either of the following cases:</p> <ol style="list-style-type: none"> <li>1. After getting the CRC status of the last data block as specified by the transfer count (Single or Multiple)</li> <li>2. After getting a CRC status of any block where data transmission is about to be stopped by a Stop At Block Gap Request.</li> </ol> <p>During a write transaction, a Block Gap Event interrupt is generated when this bit is changed to 0, as a result of the Stop At Block Gap Request being set. This status is useful for the HD in determining when to issue commands during write busy.</p> <p>1 - transferring data 0 - No valid data</p>
reserved	7:3	ro	0x0	Reserved
DAT_Line_Active	2	ro	0x0	<p>This bit indicates whether one of the DAT line on SD bus is in use.</p> <p>1 - DAT line active 0 - DAT line inactive</p>

Field Name	Bits	Type	Reset Value	Description
Command_Inhibit_DATA	1	ro	0x0	<p>This status bit is generated if either the DAT Line Active or the Read transfer Active is set to 1. If this bit is 0, it indicates the HC can issue the next SD command. Commands with busy signal belong to Command Inhibit (DAT) (ex. R1b, R5b type). Changing from 1 to 0 generates a Transfer Complete interrupt in the Normal interrupt status register.</p> <p>Note: The SD Host Driver can save registers in the range of 000-00Dh for a suspend transaction after this bit has changed from 1 to 0.</p> <p>1 - cannot issue command which uses the DAT line 0 - Can issue command which uses the DAT line</p>
Command_Inhibit_COMMAND	0	ro	0x0	<p>If this bit is 0, it indicates the CMD line is not in use and the HC can issue a SD command using the CMD line. This bit is set immediately after the Command register (00Fh) is written. This bit is cleared when the command response is received. Even if the Command Inhibit (DAT) is set to 1, Commands using only the CMD line can be issued if this bit is 0. Changing from 1 to 0 generates a Command complete interrupt in the Normal Interrupt Status register. If the HC cannot issue the command because of a command conflict error or because of Command Not Issued By Auto CMD12 Error, this bit shall remain 1 and the Command Complete is not set. Status issuing Auto CMD12 is not read from this bit. Note: The SD host controller requires couple of clocks to update this register bit after the command is posted to command register.</p>

Register ([sdio](#))

Host\_control\_Power\_control\_Block\_Gap\_Control\_Wakeup\_control

Name	Host_control_Power_control_Block_Gap_Control_Wakeup_control
Relative Address	0x00000028
Absolute Address	sd0: 0xE0100028 sd1: 0xE0101028
Width	32 bits
Access Type	mixed
Reset Value	0x00000000

Description  
 Host control register  
 Power control register  
 Block gap control register  
 Wake-up control register

Register Host\_control\_Power\_control\_Block\_Gap\_Control\_Wakeup\_control Details

Field Name	Bits	Type	Reset Value	Description
reserved	31:27	ro	0x0	Reserved
Wakeup_Event_Enable_On_SD_Card_Removal	26	rw	0x0	This bit enables wakeup event via Card Removal assertion in the Normal Interrupt Status register. FN_WUS (Wake up Support) in CIS does not affect this bit. 1 - Enable 0 - Disable
Wakeup_Event_Enable_On_SD_Card_Insertion	25	rw	0x0	This bit enables wakeup event via Card Insertion assertion in the Normal Interrupt Status register. FN_WUS (Wake up Support) in CIS does not affect this bit. 1 - Enable 0 - Disable
Wakeup_Event_Enable_On_Card_Interrupt	24	rw	0x0	This bit enables wakeup event via Card Interrupt assertion in the Normal Interrupt Status register. This bit can be set to 1 if FN_WUS (Wake Up Support) in CIS is set to 1. 1 - Enable 0 - Disable
reserved	23:20	ro	0x0	Reserved
Interrupt_At_Block_Gap	19	rw	0x0	This bit is valid only in 4-bit mode of the SDIO card and selects a sample point in the interrupt cycle. Setting to 1 enables interrupt detection at the block gap for a multiple block transfer. If the SD card cannot signal an interrupt during a multiple block transfer, this bit should be set to 0. When the HD detects an SD card insertion, it shall set this bit according to the CCCR of the SDIO card.

Field Name	Bits	Type	Reset Value	Description
Read_Wait_Control	18	rw	0x0	<p>The read wait function is optional for SDIO cards. If the card supports read wait, set this bit to enable use of the read wait protocol to stop read data using DAT[2] line. Otherwise the HC has to stop the SD clock to hold read data, which restricts commands generation. When the HD detects an SD card insertion, it shall set this bit according to the CCCR of the SDIO card. If the card does not support read wait, this bit shall never be set to 1 otherwise DAT line conflict may occur. If this bit is set to 0, Suspend / Resume cannot be supported</p> <p>1 - Enable Read Wait Control 0 - Disable Read Wait Control</p>
Continue_Request	17	rw	0x0	<p>This bit is used to restart a transaction which was stopped using the Stop At Block Gap Request. To cancel stop at the block gap, set Stop At block Gap Request to 0 and set this bit to restart the transfer.</p> <p>The HC automatically clears this bit in either of the following cases:</p> <ol style="list-style-type: none"> <li>1) In the case of a read transaction, the DAT Line Active changes from 0 to 1 as a read transaction restarts.</li> <li>2) In the case of a write transaction, the Write transfer active changes from 0 to 1 as the write transaction restarts.</li> </ol> <p>Therefore it is not necessary for Host driver to set this bit to 0. If Stop At Block Gap Request is set to 1, any write to this bit is ignored.</p> <p>1 - Restart 0 - Ignored</p>

Field Name	Bits	Type	Reset Value	Description
Stop_At_Block_Gap_Request	16	rw	0x0	This bit is used to stop executing a transaction at the next block gap for non- DMA,SDMA and ADMA transfers. Until the transfer complete is set to 1, indicating a transfer completion the HD shall leave this bit set to 1. Clearing both the Stop At Block Gap Request and Continue Request shall not cause the transaction to restart. Read Wait is used to stop the read transaction at the block gap. The HC shall honor Stop At Block Gap Request for write transfers, but for read transfers it requires that the SD card support Read Wait. Therefore the HD shall not set this bit during read transfers unless the SD card supports Read Wait and has set Read Wait Control to 1. In case of write transfers in which the HD writes data to the Buffer Data Port register, the HD shall set this bit after all block data is written. If this bit is set to 1, the HD shall not write data to Buffer data port register. This bit affects Read Transfer Active, Write Transfer Active, DAT line active and Command Inhibit (DAT) in the Present State register. 1 - Stop 0 - Transfer
reserved	15:12	ro	0x0	Reserved
SD_Bus_Voltage_Select	11:9	rw	0x0	By setting these bits, the HD selects the voltage level for the SD card. Before setting this register, the HD shall check the voltage support bits in the capabilities register. If an unsupported voltage is selected, the Host System shall not supply SD bus voltage 111b - 3.3 Flattop.) 110b - 3.0 V(Typ.) 101b - 1.8 V(Typ.) 100b - 000b - Reserved
SD_Bus_Power	8	rw	0x0	Before setting this bit, the SD host driver shall set SD Bus Voltage Select. If the HC detects the No Card State, this bit shall be cleared. 1 - Power on 0 - Power off
Card_detect_signal_detection	7	rw	0x0	This bit selects source for card detection. 1- The card detect test level is selected 0 -SDCD# is selected (for normal use)

Field Name	Bits	Type	Reset Value	Description
Card_Detect_Test_Level	6	rw	0x0	This bit is enabled while the Card Detect Signal Selection is set to 1 and it indicates card inserted or not. Generates (card ins or card removal) interrupt when the normal int sts enable bit is set. 1 - Card Inserted 0 - No Card
reserved	5	ro	0x0	Reserved
DMA_Select	4:3	rw	0x0	One of supported DMA modes can be selected. The host driver shall check support of DMA modes by referring the Capabilities register. 00 - SDMA is selected 01 - 32-bit Address ADMA1 is selected 10 -32-bit Address ADMA2 is selected 11 - 64-bit Address ADMA2 is selected
High_Speed_Enable	2	rw	0x0	This bit is optional. Before setting this bit, the HD shall check the High Speed Support in the capabilities register. If this bit is set to 0 (default), the HC outputs CMD line and DAT lines at the falling edge of the SD clock (up to 25 MHz/20 MHz for MMC). If this bit is set to 1, the HC outputs CMD line and DAT lines at the rising edge of the SD clock (up to 50 MHz for SD/52 MHz for MMC) 1 - High Speed Mode 0 - Normal Speed Mode
Data_Transfer_Width_SD1_or_SD4	1	rw	0x0	This bit selects the data width of the HC. The HD shall select it to match the data width of the SD card. 1 - 4 bit mode 0 - 1 bit mode
LED_Control	0	rw	0x0	This bit is used to caution the user not to remove the card while the SD card is being accessed. If the software is going to issue multiple SD commands, this bit can be set during all transactions. It is not necessary to change for each transaction. 1 - LED on 0 - LED off

Register ([sdio](#)) Clock\_Control\_Timeout\_control\_Software\_reset

Name Clock\_Control\_Timeout\_control\_Software\_reset  
Relative Address 0x0000002C



Absolute Address      sd0: 0xE010002C  
                               sd1: 0xE010102C

Width                    27 bits

Access Type            mixed

Reset Value            0x00000000

Description            Clock Control register  
                               Timeout control register  
                               Software reset register

Register Clock\_Control\_Timeout\_control\_Software\_reset Details

Field Name	Bits	Type	Reset Value	Description
Software_Reset_for_D AT_Line	26	rw	0x0	Only part of data circuit is reset. The following registers and bits are cleared by this bit: Buffer Data Port Register Buffer is cleared and Initialized. Present State register Buffer read Enable Buffer write Enable Read Transfer Active Write Transfer Active DAT Line Active Command Inhibit (DAT) Block Gap Control register Continue Request Stop At Block Gap Request Normal Interrupt Status register Buffer Read Ready Buffer Write Ready Block Gap Event Transfer Complete 1 - Reset 0 - Work
Software_Reset_for_C MD_Line	25	rw	0x0	Only part of command circuit is reset. The following registers and bits are cleared by this bit: Present State register Command Inhibit (CMD) Normal Interrupt Status register Command Complete 1 - Reset 0 - Work

Field Name	Bits	Type	Reset Value	Description
Software_Reset_for_All	24	rw	0x0	This reset affects the entire HC except for the card detection circuit. Register bits of type ROC, RW, RW1C, RWAC are cleared to 0. During its initialization, the HD shall set this bit to 1 to reset the HC. The HC shall reset this bit to 0 when capabilities registers are valid and the HD can read them. Additional use of Software Reset For All may not affect the value of the Capabilities registers. If this bit is set to 1, the SD card shall reset itself and must be re initialized by the HD. 1 - Reset 0 - Work
reserved	23:20	ro	0x0	Reserved
Data_Timeout_Counter_Value_	19:16	rw	0x0	This value determines the interval by which DAT line time-outs are detected. Refer to the Data Timeout Error in the Error Interrupt Status register for information on factors that dictate Timeout generation. Timeout clock frequency will be generated by dividing the sdclockTMCLK by this value. When setting this register, prevent inadvertent Timeout events by clearing the Data Time-out Error Status Enable (in the Error Interrupt Status Enable register) 1111 - Reserved 1110 - $TMCLK * 2^{27}$ ----- ----- 0001 - $TMCLK * 2^{14}$ 0000 - $TMCLK * 2^{13}$

Field Name	Bits	Type	Reset Value	Description
SDCLK_Frequency_Select	15:8	rw	0x0	<p>This register is used to select the frequency of the SDCLK pin. The frequency is not programmed directly; rather this register holds the divisor of the Base Clock Frequency For SD clock in the capabilities register. Only the following settings are allowed.</p> <p>80h - base clock divided by 256                      40h - base clock divided by 128                      20h - base clock divided by 64                      10h - base clock divided by 32                      08h - base clock divided by 16                      04h - base clock divided by 8                      02h - base clock divided by 4                      01h - base clock divided by 2                      00h - base clock(10MHz-63MHz)</p> <p>Setting 00h specifies the highest frequency of the SD Clock. When setting multiple bits, the most significant bit is used as the divisor. But multiple bits should not be set. The two default divider values can be calculated by the frequency that is defined by the Base Clock Frequency For SD Clock in the Capabilities register.</p> <p>1) 25 MHz divider value                      2) 400 KHz divider value</p> <p>The frequency of the SDCLK is set by the following formula:                      Clock Frequency = (Baseclock) / divisor.</p> <p>Thus choose the smallest possible divisor which results in a clock frequency that is less than or equal to the target frequency.</p> <p>Maximum Frequency for SD = 50Mhz (base clock)                      Maximum Frequency for MMC = 52Mhz (base clock)                      Minimum Frequency = 195.3125Khz (50Mhz / 256), same calc for MMC also</p>
reserved	7:3	ro	0x0	Reserved
SD_Clock_Enable	2	rw	0x0	<p>The HC shall stop SDCLK when writing this bit to 0. SDCLK frequency Select can be changed when this bit is 0. Then, the HC shall maintain the same clock frequency until SDCLK is stopped (Stop at SDCLK = 0). If the HC detects the No Card state, this bit shall be cleared.</p> <p>1 - Enable                      0 - Disable</p>

Field Name	Bits	Type	Reset Value	Description
Internal_Clock_Stable	1	ro	0x0	This bit is set to 1 when SD clock is stable after writing to Internal Clock Enable in this register to 1. The SD Host Driver shall wait to set SD Clock Enable until this bit is set to 1. Note: This is useful when using PLL for a clock oscillator that requires setup time. 1 - Ready 0 - Not Ready
Internal_Clock_Enable	0	rw	0x0	This bit is set to 0 when the HD is not using the HC or the HC awaits a wakeup event. The HC should stop its internal clock to go very low power state. Still, registers shall be able to be read and written. Clock starts to oscillate when this bit is set to 1. When clock oscillation is stable, the HC shall set Internal Clock Stable in this register to 1. This bit shall not affect card detection. 1 - Oscillate 0 - Stop

### Register ([sdio](#)) Normal\_interrupt\_status\_Error\_interrupt\_status

Name Normal\_interrupt\_status\_Error\_interrupt\_status  
 Relative Address 0x00000030  
 Absolute Address sd0: 0xE0100030  
 sd1: 0xE0101030  
 Width 30 bits  
 Access Type mixed  
 Reset Value 0x00000000  
 Description Normal interrupt status register  
 Error interrupt status register

### Register Normal\_interrupt\_status\_Error\_interrupt\_status Details

Field Name	Bits	Type	Reset Value	Description
Ceata_Error_Status	29	wtc	0x0	Occurs when ATA command termination has occurred due to an error condition the device has encountered. 0 - no error 1 - error
Target_Response_error	28	wtc	0x0	Occurs when detecting ERROR in m_hresp(dma transaction) 0 - no error 1 - error

Field Name	Bits	Type	Reset Value	Description
reserved	27:26	ro	0x0	Reserved
ADMA_Error	25	wtc	0x0	This bit is set when the Host Controller detects errors during ADMA based data transfer. The state of the ADMA at an error occurrence is saved in the ADMA Error Status Register. 1- Error 0 -No error
Auto_CMD12_Error	24	wtc	0x0	Occurs when detecting that one of the bits in Auto CMD12 Error Status register has changed from 0 to 1. This bit is set to 1 also when Auto CMD12 is not executed due to the previous command error. 0 - No Error 1 - Error
Current_Limit_Error	23	wtc	0x0	By setting the SD Bus Power bit in the Power Control Register, the HC is requested to supply power for the SD Bus. If the HC supports the Current Limit Function, it can be protected from an Illegal card by stopping power supply to the card in which case this bit indicates a failure status. Reading 1 means the HC is not supplying power to SD card due to some failure. Reading 0 means that the HC is supplying power and no error has occurred. This bit shall always set to be 0, if the HC does not support this function. 0 - No Error 1 - Power Fail
Data_End_Bit_Error	22	wtc	0x0	Occurs when detecting 0 at the end bit position of read data which uses the DAT line or the end bit position of the CRC status. 0 - No Error 1 - Error
Data_CRC_Error	21	wtc	0x0	Occurs when detecting CRC error when transferring read data which uses the DAT line or when detecting the Write CRC Status having a value of other than '010'. 0 - No Error 1 - Error
Data_Timeout_Error	20	wtc	0x0	Occurs when detecting one of following timeout conditions. 1. Busy Timeout for R1b, R5b type. 2. Busy Timeout after Write CRC status 3. Write CRC status Timeout 4. Read Data Timeout 0 - No Error 1 - Timeout

Field Name	Bits	Type	Reset Value	Description
Command_Index_Error	19	wtc	0x0	Occurs if a Command Index error occurs in the Command Response. 0 - No Error 1 - Error
Command_End_Bit_Error	18	wtc	0x0	Occurs when detecting that the end bit of a command response is 0. 0 - No Error 1 - End Bit Error Generated
Command_CRC_Error	17	wtc	0x0	Command CRC Error is generated in two cases. 1. If a response is returned and the Command Timeout Error is set to 0, this bit is set to 1 when detecting a CRT error in the command response 2. The HC detects a CMD line conflict by monitoring the CMD line when a command is issued. If the HC drives the CMD line to 1 level, but detects 0 level on the CMD line at the next SDCLK edge, then the HC shall abort the command (Stop driving CMD line) and set this bit to 1. The Command Timeout Error shall also be set to 1 to distinguish CMD line conflict. 0 - No Error 1 - CRC Error Generated
Command_Timeout_Error	16	wtc	0x0	Occurs only if the no response is returned within 64 SDCLK cycles from the end bit of the command. If the HC detects a CMD line conflict, in which case Command CRC Error shall also be set. This bit shall be set without waiting for 64 SDCLK cycles because the command will be aborted by the HC. 0 - No Error 1 - Timeout
Error_Interrupt	15	ro	0x0	If any of the bits in the Error Interrupt Status Register are set, then this bit is set. Therefore the HD can test for an error by checking this bit first. 0 - No Error. 1 - Error.
reserved	14:11	ro	0x0	Reserved
Boot_terminate_Interrupt	10	wtc	0x0	This status is set if the boot operation get terminated 0 - Boot operation is not terminated. 1 - Boot operation is terminated
Boot_ack_rcv	9	wtc	0x0	This status is set if the boot acknowledge is received from device. 0 - Boot ack is not received. 1 - Boot ack is received.

Field Name	Bits	Type	Reset Value	Description
Card_Interrupt	8	ro	0x0	<p>Writing this bit to 1 does not clear this bit. It is cleared by resetting the SD card interrupt factor. In 1-bit mode, the HC shall detect the Card Interrupt without SD Clock to support wakeup. In 4-bit mode, the card interrupt signal is sampled during the interrupt cycle, so there are some sample delays between the interrupt signal from the card and the interrupt to the Host system.</p> <p>when this status has been set and the HD needs to start this interrupt service, Card Interrupt Status Enable in the Normal Interrupt Status register shall be set to 0 in order to clear the card interrupt statuses latched in the HC and stop driving the Host System. After completion of the card interrupt service (the reset factor in the SD card and the interrupt signal may not be asserted), set Card Interrupt Status Enable to 1 and start sampling the interrupt signal again.</p> <p>0 - No Card Interrupt 1 - Generate Card Interrupt</p>
Card_Removal	7	wtc	0x0	<p>This status is set if the Card Inserted in the Present State register changes from 1 to 0. When the HD writes this bit to 1 to clear this status the status of the Card Inserted in the Present State register should be confirmed.</p> <p>Because the card detect may possibly be changed when the HD clear this bit an Interrupt event may not be generated.</p> <p>0 - Card State Stable or Debouncing 1 - Card Removed</p>
Card_Insertion	6	wtc	0x0	<p>This status is set if the Card Inserted in the Present State register changes from 0 to 1. When the HD writes this bit to 1 to clear this status the status of the Card Inserted in the Present State register should be confirmed.</p> <p>Because the card detect may possibly be changed when the HD clear this bit an Interrupt event may not be generated.</p> <p>0 - Card State Stable or Debouncing 1 - Card Inserted</p>
Buffer_Read_Ready	5	wtc	0x0	<p>This status is set if the Buffer Read Enable changes from 0 to 1.</p> <p>0 - Not Ready to read Buffer. 1 - Ready to read Buffer.</p>

Field Name	Bits	Type	Reset Value	Description
Buffer_Write_Ready	4	wtc	0x0	This status is set if the Buffer Write Enable changes from 0 to 1. 0 - Not Ready to Write Buffer. 1 - Ready to Write Buffer.
DMA_Interrupt	3	wtc	0x0	This status is set if the HC detects the Host DMA Buffer Boundary in the Block Size register. 0 - No DMA Interrupt 1 - DMA Interrupt is Generated
Block_Gap_Event	2	wtc	0x0	If the Stop At Block Gap Request in the Block Gap Control Register is set, this bit is set. Read Transaction: This bit is set at the falling edge of the DAT Line Active Status (When the transaction is stopped at SD Bus timing. The Read Wait must be supported in order to use this function). Write Transaction: This bit is set at the falling edge of Write Transfer Active Status (After getting CRC status at SD Bus timing). 0 - No Block Gap Event 1 - Transaction stopped at Block Gap



Field Name	Bits	Type	Reset Value	Description
Transfer_Complete	1	wtc	0x0	<p>This bit is set when a read / write transaction is completed.</p> <p>Read Transaction: This bit is set at the falling edge of Read Transfer Active Status.</p> <p>There are two cases in which the Interrupt is generated. The first is when a data transfer is completed as specified by data length (After the last data has been read to the Host System). The second is when data has stopped at the block gap and completed the data transfer by setting the Stop At Block Gap Request in the Block Gap Control Register (After valid data has been read to the Host System).</p> <p>Write Transaction: This bit is set at the falling edge of the DAT Line Active Status.</p> <p>There are two cases in which the Interrupt is generated. The first is when the last data is written to the card as specified by data length and Busy signal is released. The second is when data transfers are stopped at the block gap by setting Stop At Block Gap Request in the Block Gap Control Register and data transfers completed. (After valid data is written to the SD card and the busy signal is released).</p> <p>Note: Transfer Complete has higher priority than Data Timeout Error. If both bits are set to 1, the data transfer can be considered complete</p> <p>0 - No Data Transfer Complete 1 - Data Transfer Complete</p>
Command_Complete	0	wtc	0x0	<p>This bit is set when get the end bit of the command response (Except Auto CMD12).</p> <p>Note: Command Timeout Error has higher priority than Command Complete. If both are set to 1, it can be considered that the response was not received correctly.</p> <p>0 - No Command Complete 1 - Command Complete</p>

Register ([sdio](#))

Normal\_interrupt\_status\_enable\_Error\_interrupt\_status\_enable

Name Normal\_interrupt\_status\_enable\_Error\_interrupt\_status\_enable

Relative Address 0x00000034

Absolute Address      sd0: 0xE0100034  
                                  sd1: 0xE0101034  
 Width                      30 bits  
 Access Type              mixed  
 Reset Value              0x00000000  
 Description              Normal interrupt status enable register  
                                  Error interrupt status enable register

## Register Normal\_interrupt\_status\_enable\_Error\_interrupt\_status\_enable Details

Field Name	Bits	Type	Reset Value	Description
Ceata_Error_Status_Enabled	29	rw	0x0	0 - Masked 1 - Enabled
Target_Response_Error_Status_Enable	28	rw	0x0	0 - Masked 1 - Enabled
reserved	27:26	ro	0x0	Reserved
ADMA_Error_Status_Enable	25	rw	0x0	0 - Masked 1 - Enabled
Auto_CMD12_Error_Status_Enable	24	rw	0x0	0 - Masked 1 - Enabled
Current_Limit_Error_Status_Enable	23	rw	0x0	0 - Masked 1 - Enabled
Data_End_Bit_Error_Status_Enable	22	rw	0x0	0 - Masked 1 - Enabled
Data_CRC_Error_Status_Enable	21	rw	0x0	0 - Masked 1 - Enabled
Data_Timeout_Error_Status_Enable	20	rw	0x0	0 - Masked 1 - Enabled
Command_Index_Error_Status_Enable	19	rw	0x0	0 - Masked 1 - Enabled
Command_End_Bit_Error_Status_Enable	18	rw	0x0	0 - Masked 1 - Enabled
Command_CRC_Error_Status_Enable	17	rw	0x0	0 - Masked 1 - Enabled
Command_Timeout_Error_Status_Enable	16	rw	0x0	0 - Masked 1 - Enabled
Fixed_to_0	15	ro	0x0	The HC shall control error Interrupts using the Error Interrupt Status Enable register.
reserved	14:11	ro	0x0	Reserved

Field Name	Bits	Type	Reset Value	Description
Boot_terminate_Interru pt_enable	10	rw	0x0	0 - Masked 1 - Enabled
Boot_ack_rcv_enable	9	rw	0x0	0 - Masked 1 - Enabled
Card_Interrupt_Status_En able	8	rw	0x0	If this bit is set to 0, the HC shall clear Interrupt request to the System. The Card Interrupt detection is stopped when this bit is cleared and restarted when this bit is set to 1. The HD should clear the Card Interrupt Status Enable before servicing the Card Interrupt and should set this bit again after all Interrupt requests from the card are cleared to prevent inadvertent Interrupts. 0 - Masked 1 - Enabled
Card_Removal_Status_En able	7	rw	0x0	0 - Masked 1 - Enabled
Card_Insertion_Status_En able	6	rw	0x0	0 - Masked 1 - Enabled
Buffer_Read_Ready_Sta tus_Enable	5	rw	0x0	0 - Masked 1 - Enabled
Buffer_Write_Ready_Sta tus_Enable	4	rw	0x0	0 - Masked 1 - Enabled
DMA_Interrupt_Status_En able	3	rw	0x0	0 - Masked 1 - Enabled
Block_Gap_Event_Sta tus_Enable	2	rw	0x0	0 - Masked 1 - Enabled
Transfer_Complete_Sta tus_Enable	1	rw	0x0	0 - Masked 1 - Enabled
Command_Complete_Stat us_Enable	0	rw	0x0	0 - Masked 1 - Enabled

Register ([sdio](#))

Normal\_interrupt\_signal\_enable\_Error\_interrupt\_signal\_enable

Name Normal\_interrupt\_signal\_enable\_Error\_interrupt\_signal\_enable  
 Relative Address 0x00000038  
 Absolute Address sd0: 0xE0100038  
 sd1: 0xE0101038  
 Width 30 bits  
 Access Type mixed

Reset Value                    0x00000000

Description                    Normal interrupt signal enable register  
 Error interrupt signal enable register

### Register Normal\_interrupt\_signal\_enable\_Error\_interrupt\_signal\_enable Details

Field Name	Bits	Type	Reset Value	Description
Ceata_Error_Signal_Enabled	29	rw	0x0	0 - Masked 1 - Enabled
Target_Response_Error_Signal_Enable	28	rw	0x0	0 - Masked 1 - Enabled
reserved	27:26	ro	0x0	Reserved
ADMA_Error_Signal_Enable	25	rw	0x0	0 - Masked 1 - Enabled
Auto_CMD12_Error_Signal_Enable	24	rw	0x0	0 - Masked 1 - Enabled
Current_Limit_Error_Signal_Enable	23	rw	0x0	0 - Masked 1 - Enabled
Data_End_Bit_Error_Signal_Enable	22	rw	0x0	0 - Masked 1 - Enabled
Data_CRC_Error_Signal_Enable	21	rw	0x0	0 - Masked 1 - Enabled
Data_Timeout_Error_Signal_Enable	20	rw	0x0	0 - Masked 1 - Enabled
Command_Index_Error_Signal_Enable	19	rw	0x0	0 - Masked 1 - Enabled
Command_End_Bit_Error_Signal_Enable	18	rw	0x0	0 - Masked 1 - Enabled
Command_CRC_Error_Signal_Enable	17	rw	0x0	0 - Masked 1 - Enabled
Command_Timeout_Error_Signal_Enable	16	rw	0x0	0 - Masked 1 - Enabled
Fixed_to_0	15	ro	0x0	The HD shall control error Interrupts using the Error Interrupt Signal Enable register.
reserved	14:11	ro	0x0	Reserved
Boot_terminate_Interrupt_signal_enable	10	rw	0x0	0 - Masked 1 - Enabled
Boot_ack_rcv_signal_enable	9	rw	0x0	0 - Masked 1 - Enabled

Field Name	Bits	Type	Reset Value	Description
Card_Interrupt_Signal_Enable	8	rw	0x0	0 - Masked 1 - Enabled
Card_Removal_Signal_Enable	7	rw	0x0	0 - Masked 1 - Enabled
Card_Insertion_Signal_Enable	6	rw	0x0	0 - Masked 1 - Enabled
Buffer_Read_Ready_Signal_Enable	5	rw	0x0	0 - Masked 1 - Enabled
Buffer_Write_Ready_Signal_Enable	4	rw	0x0	0 - Masked 1 - Enabled
DMA_Interrupt_Signal_Enable	3	rw	0x0	0 - Masked 1 - Enabled
Block_Gap_Event_Signal_Enable	2	rw	0x0	0 - Masked 1 - Enabled
Transfer_Complete_Signal_Enable	1	rw	0x0	0 - Masked 1 - Enabled
Command_Complete_Signal_Enable	0	rw	0x0	0 - Masked 1 - Enabled

### Register ([sdio](#)) Auto\_CMD12\_error\_status

Name	Auto_CMD12_error_status
Relative Address	0x0000003C
Absolute Address	sd0: 0xE010003C sd1: 0xE010103C
Width	8 bits
Access Type	ro
Reset Value	0x00000000
Description	Auto CMD12 error status register

#### Register Auto\_CMD12\_error\_status Details

When Auto CMD12 Error Status is set, the HD shall check this register to identify what kind of error Auto CMD12 indicated. This register is valid only when the Auto CMD12 Error is set.

Field Name	Bits	Type	Reset Value	Description
Command_Not_Issued_By_Auto_CMD12_Error	7	ro	0x0	Setting this bit to 1 means CMD_wo_DAT is not executed due to an Auto CMD12 error (D04 - D01) in this register. 0 - No Error 1 - Not Issued
reserved	6:5	ro	0x0	Reserved
Auto_CMD12_Index_Error	4	ro	0x0	Occurs if the Command Index error occurs in response to a command. 0 - No Error 1 - Error
Auto_CMD12_End_Bit_Error	3	ro	0x0	Occurs when detecting that the end bit of command response is 0. 0 - No Error 1 - End Bit Error Generated
Auto_CMD12_CRC_Error	2	ro	0x0	Occurs when detecting a CRC error in the command response. 0 - No Error 1 - CRC Error Generated
Auto_CMD12_Timeout_Error	1	ro	0x0	Occurs if the no response is returned within 64 SDCLK cycles from the end bit of the command. If this bit is set to 1, the other error status bits (D04 - D02) are meaningless. 0 - No Error 1 - Timeout
Auto_CMD12_not_Executed	0	ro	0x0	If memory multiple block data transfer is not started due to command error, this bit is not set because it is not necessary to issue Auto CMD12. Setting this bit to 1 means the HC cannot issue Auto CMD12 to stop memory multiple block transfer due to some error. If this bit is set to 1, other error status bits (D04 - D01) are meaningless. 0 - Executed 1 - Not Executed

### Register ([sdio](#)) Capabilities

Name	Capabilities
Relative Address	0x00000040
Absolute Address	sd0: 0xE0100040 sd1: 0xE0101040
Width	31 bits

Access Type	ro
Reset Value	0x69EC0080
Description	Capabilities register

### Register Capabilities Details

This register provides the HD with information specific to the HC implementation. The HC may implement these values as fixed or loaded from flash memory during power on initialization.

Field Name	Bits	Type	Reset Value	Description
Spi_block_mode	30	ro	0x1	Spi block mode 0 - Not Supported 1 - Supported
Spi_mode	29	ro	0x1	Spi mode 0 - Not Supported 1 - Supported
64_bit_System_Bus_Support	28	ro	0x0	1 - supports 64 bit system address 0 - Does not support 64 bit system address
Interrupt_mode	27	ro	0x1	Interrupt mode 0 - Not Supported 1 - Supported
Voltage_Support_1_8_V	26	ro	0x0	0 - 1.8 V Not Supported 1 - 1.8 V Supported
Voltage_Support_3_0_V	25	ro	0x0	0 - 3.0 V Not Supported 1 - 3.0 V Supported
Voltage_Support_3_3_V	24	ro	0x1	0 - 3.3 V Not Supported 1 - 3.3 V Supported
Suspend_Resume_Support	23	ro	0x1	This bit indicates whether the HC supports Suspend / Resume functionality. If this bit is 0, the Suspend and Resume mechanism are not supported and the HD shall not issue either Suspend / Resume commands. 0 - Not Supported 1 - Supported
SDMA_Support	22	ro	0x1	This bit indicates whether the HC is capable of using DMA to transfer data between system memory and the HC directly. 0 - SDMA Not Supported 1 - SDMA Supported.

Field Name	Bits	Type	Reset Value	Description
High_Speed_Support	21	ro	0x1	This bit indicates whether the HC and the Host System support High Speed mode and they can supply SD Clock frequency from 25Mhz to 50 MHz (for SD)/ 20MHz to 52MHz (for MMC). 0 - High Speed Not Supported 1 - High Speed Supported
reserved	20	ro	0x0	Reserved
ADMA2_Support	19	ro	0x1	1 - ADMA2 support. 0 - ADMA2 not support
Extended_Media_Bus_Support	18	ro	0x1	This bit indicates whether the Host Controller is capable bus. 1 - Extended Media Bus Supported 0 - Extended Media Bus not Supported
Max_Block_Length	17:16	ro	0x0	This value indicates the maximum block size that the HD can read and write to the buffer in the HC. The buffer shall transfer this block size without wait cycles. Three sizes can be defined as indicated below. 00 - 512 byte 01 - 1024 byte 10 - 2048 byte 11 - 4096 byte
reserved	15:14	ro	0x0	Reserved
reserved	13:8	ro	0x0	Reserved. Do not modify.
Timeout_Clock_Unit	7	ro	0x1	This bit shows the unit of base clock frequency used to detect Data Timeout Error. 0 - KHz 1 - MHz
reserved	6	ro	0x0	Reserved
reserved	5:0	ro	0x0	Reserved. Do not modify.

### Register ([sdio](#)) Maximum\_current\_capabilities

Name Maximum\_current\_capabilities  
 Relative Address 0x00000048  
 Absolute Address sd0: 0xE0100048  
 sd1: 0xE0101048  
 Width 24 bits  
 Access Type ro  
 Reset Value 0x00000001



Description Maximum current capabilities register

Register Maximum\_current\_capabilities Details

Field Name	Bits	Type	Reset Value	Description
Maximum_Current_for_1_8V	23:16	ro	0x0	Maximum Current for 1.8V
Maximum_Current_for_3_0V	15:8	ro	0x0	Maximum Current for 3.0V
Maximum_Current_for_3_3V	7:0	ro	0x1	Maximum Current for 3.3V

Register ([sdio](#))

Force\_event\_for\_AutoCmd12\_Error\_Status\_Force\_event\_register\_for\_error\_interrupt\_status

Name	Force_event_for_AutoCmd12_Error_Status_Force_event_register_for_error_interrupt_status
Relative Address	0x00000050
Absolute Address	sd0: 0xE0100050 sd1: 0xE0101050
Width	32 bits
Access Type	mixed
Reset Value	0x00000000
Description	Force event register for Auto CMD12 error status register Force event register for error interrupt status

Register

Force\_event\_for\_AutoCmd12\_Error\_Status\_Force\_event\_register\_for\_error\_interrupt\_status Details

The Force Event Register is not a physically implemented register. Rather, it is an address at which the Auto CMD12 Error Status Register can be written.

Writing 1:set each bit of the Auto CMD12 Error Status Register

Writing 0:no effect.

The Force Event Register is not a physically implemented register. Rather, it is an address at which the Error Interrupt Status register can be written. The effect of a write to this address will be reflected in the Error Interrupt Status Register if the corresponding bit of the Error Interrupt Status Enable Register is set.

Writing 1:set each bit of the Error Interrupt Status Register

Writing 0:no effect

Field Name	Bits	Type	Reset Value	Description
Force_Event_for_Vendor_Specific_Error_Status	31:30	wo	0x0	Additional status bits can be defined in this register by the vendor. 1 - Interrupt is generated 0 - No interrupt
Force_Event_for_Ceata_error	29	wo	0x0	Force Event for Ceata Error 1 - Interrupt is generated 0 - No interrupt
Force_event_for_Target_Response_error	28	wo	0x0	Force Event for Target Response Error 1 - Interrupt is generated 0 - No interrupt
reserved	27:26	ro	0x0	Reserved
Force_Event_for_ADMA_Error	25	wo	0x0	Force Event for ADMA Error 1 - Interrupt is generated 0 - No interrupt
Force_Event_for_Auto_CMD12_Error	24	wo	0x0	Force Event for Auto CMD12 Error 1 - Interrupt is generated 0 - No interrupt
Force_Event_for_Current_Limit_Error	23	wo	0x0	Force Event for Current Limit Error 1 - Interrupt is generated 0 - No interrupt
Force_Event_for_Data_End_Bit_Error	22	wo	0x0	Force Event for Data End Bit Error 1 - Interrupt is generated 0 - No interrupt
Force_Event_for_Data_CRC_Error	21	wo	0x0	Force Event for Data CRC Error 1 - Interrupt is generated 0 - No interrupt
Force_Event_for_Data_Timeout_Error	20	wo	0x0	Force Event for Data Timeout Error 1 - Interrupt is generated 0 - No interrupt
Force_Event_for_Command_Index_Error	19	wo	0x0	Force Event for Command Index Error 1 - Interrupt is generated 0 - No interrupt
Force_Event_for_Command_End_Bit_Error	18	wo	0x0	Force Event for Command End Bit Error 1 - Interrupt is generated 0 - No interrupt
Force_Event_for_Command_CRC_Error	17	wo	0x0	Force Event for Command CRC Error 1 - Interrupt is generated 0 - No interrupt

Field Name	Bits	Type	Reset Value	Description
Force_Event_for_Command_Timeout_Error	16	wo	0x0	Force Event for Command Timeout Error 1 - Interrupt is generated 0 - No interrupt
reserved	15:8	ro	0x0	Reserved
Force_Event_for_command_not_issued_by_Auto_CMD12_Error	7	wo	0x0	1 - Interrupt is generated 0 - no interrupt
reserved	6:5	ro	0x0	Reserved
Force_Event_for_Auto_CMD12_Index_Error	4	wo	0x0	1 - Interrupt is generated 0 - no interrupt
Force_Event_for_Auto_CMD12_End_bit_Error	3	wo	0x0	1 - Interrupt is generated 0 - no interrupt
Force_Event_for_Auto_CMD12_CRC_Error	2	wo	0x0	1 - Interrupt is generated 0 - no interrupt
Force_Event_for_Auto_CMD12_timeout_Error	1	wo	0x0	1 - Interrupt is generated 0 - no interrupt
Force_Event_for_Auto_CMD12_NOT_Executed	0	wo	0x0	1 - Interrupt is generated 0 - no interrupt

### Register ([sdio](#)) ADMA\_error\_status

Name	ADMA_error_status
Relative Address	0x00000054
Absolute Address	sd0: 0xE0100054 sd1: 0xE0101054
Width	3 bits
Access Type	mixed
Reset Value	0x00000000
Description	ADMA error status register

#### Register ADMA\_error\_status Details

When ADMA Error Interrupt occurs, the ADMA Error States field in this register holds the ADMA state and the ADMA System Address Register holds the address around the error descriptor.

Field Name	Bits	Type	Reset Value	Description
ADMA_Length_Mismatch_Error	2	wtc	0x0	This error occurs in the following 2 cases. 1. While Block Count Enable being set, the total data length specified by the Descriptor table is different from that specified by the Block Count and Block Length. 2. Total data length can not be divided by the block length. 1 - Error 0 - No error
ADMA_Error_State	1:0	ro	0x0	This field indicates the state of ADMA when error is occurred during ADMA data transfer. This field never indicates "10" because ADMA never stops in this state. D01 - D00 : ADMA Error State when error is occurred Contents of SYS_SDR register 00 - ST_STOP (Stop DMA) Points next of the error descriptor 01 - ST_FDS (Fetch Descriptor) Points the error descriptor 10 - Never set this state (Not used) 11 - ST_TFR (Transfer Data) Points the next of the error descriptor

Register ([sdio](#)) ADMA\_system\_address

Name	ADMA_system_address
Relative Address	0x00000058
Absolute Address	sd0: 0xE0100058 sd1: 0xE0101058
Width	32 bits
Access Type	rw
Reset Value	0x00000000
Description	ADMA system address register

Register ADMA\_system\_address Details

Field Name	Bits	Type	Reset Value	Description
ADMA_System_Address	31:0	rw	0x0	<p>This register holds byte address of executing command of the Descriptor table.</p> <p>32-bit Address Descriptor uses lower 32-bit of this register. At the start of ADMA, the Host Driver shall set start address of the Descriptor table. The ADMA increments this register address, which points to next line, when every fetching a Descriptor line. When the ADMA Error Interrupt is generated, this register shall hold valid Descriptor address depending on the ADMA state. The Host Driver shall program Descriptor Table on 32-bit boundary and set 32-bit boundary address to this register. ADMA2 ignores lower 2-bit of this register and assumes it to be 00b.</p> <p>32-bit Address ADMA Register Value 32-bit System Address                      0x00000000 0x00000000                      0x00000004 0x00000004                      to                      0xFFFFFFFFC 0xFFFFFFFFC</p>

Register ([sdio](#)) Boot\_Timeout\_control

Name	Boot_Timeout_control
Relative Address	0x00000060
Absolute Address	sd0: 0xE0100060 sd1: 0xE0101060
Width	32 bits
Access Type	rw
Reset Value	0x00000000
Description	Boot Timeout control register

Register Boot\_Timeout\_control Details

Field Name	Bits	Type	Reset Value	Description
Boot_Data_Timeout_Counter_Value	31:0	rw	0x0	This value determines the interval by which DAT line time-outs are detected during boot operation for MMC3.31 card. The value is in number of sd clock.

Register ([sdio](#)) Debug\_Selection

Name	Debug_Selection
Relative Address	0x00000064
Absolute Address	sd0: 0xE0100064 sd1: 0xE0101064
Width	1 bits
Access Type	wo
Reset Value	0x00000000
Description	Debug Selection Register

Register Debug\_Selection Details

Field Name	Bits	Type	Reset Value	Description
Debug_sel	0	wo	0x0	1- cmd register, Interrupt status, transmitter module, ahb_iface module and clk sdcard signals are probed out. 0 - receiver module and fifo_ctrl module signals are probed out

Register ([sdio](#)) SPI\_interrupt\_support

Name	SPI_interrupt_support
Relative Address	0x000000F0
Absolute Address	sd0: 0xE01000F0 sd1: 0xE01010F0
Width	8 bits
Access Type	rw
Reset Value	0x00000000
Description	SPI interrupt support register

Register SPI\_interrupt\_support Details

Field Name	Bits	Type	Reset Value	Description
SPI_INT_SUPPORT	7:0	rw	0x0	This bit is set to indicate the assertion of interrupts in the SPI mode at any time, irrespective of the status of the card select (CS) line. If this bit is zero, then SDIO card can only assert the interrupt line in the SPI mode when the CS line is asserted.

Register ([sdio](#)) Slot\_interrupt\_status\_Host\_controller\_version

Name	Slot_interrupt_status_Host_controller_version
Relative Address	0x000000FC
Absolute Address	sd0: 0xE01000FC sd1: 0xE01010FC
Width	32 bits
Access Type	ro
Reset Value	0x89010000
Description	Slot interrupt status register and Host controller version register

Register Slot\_interrupt\_status\_Host\_controller\_version Details

Field Name	Bits	Type	Reset Value	Description
Vendor_Version_Number	31:24	ro	0x89	This status is reserved for the vendor version number. The HD should not use this status.
Specification_Version_Number	23:16	ro	0x1	This status indicates the Host Controller Spec. Version. The upper and lower 4-bits indicate the version. 00 - SD Host Specification version 1.0 01 - SD Host Specification version 2.00 including only the feature of the Test Register others - Reserved

Field Name	Bits	Type	Reset Value	Description
reserved	15:8	ro	0x0	Reserved
Interrupt_Signal_for_Each_Slot	7:0	ro	0x0	<p>These status bit indicate the logical OR of Interrupt signal and Wakeup signal for each slot. A maximum of 8 slots can be defined. If one interrupt signal is associated with multiple slots. the HD can know which interrupt is generated by reading these status bits. By a power on reset or by Software Reset For All, the Interrupt signal shall be de asserted and this status shall read 00h.</p> <p>Bit 00 - Slot 1                      Bit 01 - Slot 2                      Bit 02 - Slot 3                      -----                      Bit 07 - Slot 8</p>



## B.28 System Level Control Registers (slcr)

Module Name	System Level Control Registers (slcr)
Base Address	0xF8000000 slcr
Description	System Level Control Registers
Vendor Info	Xilinx Zynq slcr

### Register Summary

Register Name	Address	Width	Type	Reset Value	Description
<a href="#">SCL</a>	0x00000000	32	rw	0x00000000	Secure Configuration Lock
<a href="#">SLCR_LOCK</a>	0x00000004	32	wo	0x00000000	SLCR Write Protection Lock
<a href="#">SLCR_UNLOCK</a>	0x00000008	32	wo	0x00000000	SLCR Write Protection Unlock
<a href="#">SLCR_LOCKSTA</a>	0x0000000C	32	ro	0x00000001	SLCR Write Protection Status
<a href="#">ARM_PLL_CTRL</a>	0x00000100	32	rw	0x0001A008	ARM PLL Control
<a href="#">DDR_PLL_CTRL</a>	0x00000104	32	rw	0x0001A008	DDR PLL Control
<a href="#">IO_PLL_CTRL</a>	0x00000108	32	rw	0x0001A008	IO PLL Control
<a href="#">PLL_STATUS</a>	0x0000010C	32	ro	0x0000003F	PLL Status
<a href="#">ARM_PLL_CFG</a>	0x00000110	32	rw	0x00177EA0	ARM PLL Configuration
<a href="#">DDR_PLL_CFG</a>	0x00000114	32	rw	0x00177EA0	DDR PLL Configuration
<a href="#">IO_PLL_CFG</a>	0x00000118	32	rw	0x00177EA0	IO PLL Configuration
<a href="#">ARM_CLK_CTRL</a>	0x00000120	32	rw	0x1F000400	CPU Clock Control
<a href="#">DDR_CLK_CTRL</a>	0x00000124	32	rw	0x18400003	DDR Clock Control
<a href="#">DCI_CLK_CTRL</a>	0x00000128	32	rw	0x01E03201	DCI clock control
<a href="#">APER_CLK_CTRL</a>	0x0000012C	32	rw	0x01FFCCCD	AMBA Peripheral Clock Control
<a href="#">USB0_CLK_CTRL</a>	0x00000130	32	rw	0x00101941	USB 0 ULPI Clock Control
<a href="#">USB1_CLK_CTRL</a>	0x00000134	32	rw	0x00101941	USB 1 ULPI Clock Control
<a href="#">GEM0_RCLK_CTRL</a>	0x00000138	32	rw	0x00000001	GigE 0 Rx Clock and Rx Signals Select
<a href="#">GEM1_RCLK_CTRL</a>	0x0000013C	32	rw	0x00000001	GigE 1 Rx Clock and Rx Signals Select
<a href="#">GEM0_CLK_CTRL</a>	0x00000140	32	rw	0x00003C01	GigE 0 Ref Clock Control
<a href="#">GEM1_CLK_CTRL</a>	0x00000144	32	rw	0x00003C01	GigE 1 Ref Clock Control
<a href="#">SMC_CLK_CTRL</a>	0x00000148	32	rw	0x00003C21	SMC Ref Clock Control
<a href="#">LQSPI_CLK_CTRL</a>	0x0000014C	32	rw	0x00002821	Quad SPI Ref Clock Control

Register Name	Address	Width	Type	Reset Value	Description
<a href="#">SDIO_CLK_CTRL</a>	0x00000150	32	rw	0x00001E03	SDIO Ref Clock Control
<a href="#">UART_CLK_CTRL</a>	0x00000154	32	rw	0x00003F03	UART Ref Clock Control
<a href="#">SPI_CLK_CTRL</a>	0x00000158	32	rw	0x00003F03	SPI Ref Clock Control
<a href="#">CAN_CLK_CTRL</a>	0x0000015C	32	rw	0x00501903	CAN Ref Clock Control
<a href="#">CAN_MIOCLK_CTRL</a>	0x00000160	32	rw	0x00000000	CAN MIO Clock Control
<a href="#">DBG_CLK_CTRL</a>	0x00000164	32	rw	0x00000F03	SoC Debug Clock Control
<a href="#">PCAP_CLK_CTRL</a>	0x00000168	32	rw	0x00000F01	PCAP Clock Control
<a href="#">TOPSW_CLK_CTRL</a>	0x0000016C	32	rw	0x00000000	Central Interconnect Clock Control
<a href="#">FPGA0_CLK_CTRL</a>	0x00000170	32	rw	0x00101800	PL Clock 0 Output control
<a href="#">FPGA0_THR_CTRL</a>	0x00000174	32	rw	0x00000000	PL Clock 0 Throttle control
<a href="#">FPGA0_THR_CNT</a>	0x00000178	32	rw	0x00000000	PL Clock 0 Throttle Count control
<a href="#">FPGA0_THR_STA</a>	0x0000017C	32	ro	0x00010000	PL Clock 0 Throttle Status read
<a href="#">FPGA1_CLK_CTRL</a>	0x00000180	32	rw	0x00101800	PL Clock 1 Output control
<a href="#">FPGA1_THR_CTRL</a>	0x00000184	32	rw	0x00000000	PL Clock 1 Throttle control
<a href="#">FPGA1_THR_CNT</a>	0x00000188	32	rw	0x00000000	PL Clock 1 Throttle Count
<a href="#">FPGA1_THR_STA</a>	0x0000018C	32	ro	0x00010000	PL Clock 1 Throttle Status control
<a href="#">FPGA2_CLK_CTRL</a>	0x00000190	32	rw	0x00101800	PL Clock 2 output control
<a href="#">FPGA2_THR_CTRL</a>	0x00000194	32	rw	0x00000000	PL Clock 2 Throttle Control
<a href="#">FPGA2_THR_CNT</a>	0x00000198	32	rw	0x00000000	PL Clock 2 Throttle Count
<a href="#">FPGA2_THR_STA</a>	0x0000019C	32	ro	0x00010000	PL Clock 2 Throttle Status
<a href="#">FPGA3_CLK_CTRL</a>	0x000001A0	32	rw	0x00101800	PL Clock 3 output control
<a href="#">FPGA3_THR_CTRL</a>	0x000001A4	32	rw	0x00000000	PL Clock 3 Throttle Control
<a href="#">FPGA3_THR_CNT</a>	0x000001A8	32	rw	0x00000000	PL Clock 3 Throttle Count
<a href="#">FPGA3_THR_STA</a>	0x000001AC	32	ro	0x00010000	PL Clock 3 Throttle Status
<a href="#">CLK_621_TRUE</a>	0x000001C4	32	rw	0x00000001	CPU Clock Ratio Mode select
<a href="#">PSS_RST_CTRL</a>	0x00000200	32	rw	0x00000000	PS Software Reset Control
<a href="#">DDR_RST_CTRL</a>	0x00000204	32	rw	0x00000000	DDR Software Reset Control
<a href="#">TOPSW_RST_CTRL</a>	0x00000208	32	rw	0x00000000	Central Interconnect Reset Control
<a href="#">DMAC_RST_CTRL</a>	0x0000020C	32	rw	0x00000000	DMAC Software Reset Control
<a href="#">USB_RST_CTRL</a>	0x00000210	32	rw	0x00000000	USB Software Reset Control

Register Name	Address	Width	Type	Reset Value	Description
<a href="#">GEM_RST_CTRL</a>	0x00000214	32	rw	0x00000000	Gigabit Ethernet SW Reset Control
<a href="#">SDIO_RST_CTRL</a>	0x00000218	32	rw	0x00000000	SDIO Software Reset Control
<a href="#">SPI_RST_CTRL</a>	0x0000021C	32	rw	0x00000000	SPI Software Reset Control
<a href="#">CAN_RST_CTRL</a>	0x00000220	32	rw	0x00000000	CAN Software Reset Control
<a href="#">I2C_RST_CTRL</a>	0x00000224	32	rw	0x00000000	I2C Software Reset Control
<a href="#">UART_RST_CTRL</a>	0x00000228	32	rw	0x00000000	UART Software Reset Control
<a href="#">GPIO_RST_CTRL</a>	0x0000022C	32	rw	0x00000000	GPIO Software Reset Control
<a href="#">LQSPI_RST_CTRL</a>	0x00000230	32	rw	0x00000000	Quad SPI Software Reset Control
<a href="#">SMC_RST_CTRL</a>	0x00000234	32	rw	0x00000000	SMC Software Reset Control
<a href="#">OCM_RST_CTRL</a>	0x00000238	32	rw	0x00000000	OCM Software Reset Control
<a href="#">FPGA_RST_CTRL</a>	0x00000240	32	rw	0x01F33F0F	FPGA Software Reset Control
<a href="#">A9_CPU_RST_CTRL</a>	0x00000244	32	rw	0x00000000	CPU Reset and Clock control
<a href="#">RS_AWDT_CTRL</a>	0x0000024C	32	rw	0x00000000	Watchdog Timer Reset Control
<a href="#">REBOOT_STATUS</a>	0x00000258	32	rw	0x00400000	Reboot Status, persistent
<a href="#">BOOT_MODE</a>	0x0000025C	32	mixed	x	Boot Mode Strapping Pins
<a href="#">APU_CTRL</a>	0x00000300	32	rw	0x00000000	APU Control
<a href="#">WDT_CLK_SEL</a>	0x00000304	32	rw	0x00000000	SWDT clock source select
<a href="#">TZ_DMA_NS</a>	0x00000440	32	rw	0x00000000	DMAC TrustZone Config
<a href="#">TZ_DMA_IRQ_NS</a>	0x00000444	32	rw	0x00000000	DMAC TrustZone Config for Interrupts
<a href="#">TZ_DMA_PERIPH_NS</a>	0x00000448	32	rw	0x00000000	DMAC TrustZone Config for Peripherals
<a href="#">PSS_IDCODE</a>	0x00000530	32	ro	x	PS IDCODE
<a href="#">DDR_URGENT</a>	0x00000600	32	rw	0x00000000	DDR Urgent Control
<a href="#">DDR_CAL_START</a>	0x0000060C	32	mixed	0x00000000	DDR Calibration Start Triggers
<a href="#">DDR_REF_START</a>	0x00000614	32	mixed	0x00000000	DDR Refresh Start Triggers
<a href="#">DDR_CMD_STA</a>	0x00000618	32	mixed	0x00000000	DDR Command Store Status
<a href="#">DDR_URGENT_SEL</a>	0x0000061C	32	rw	0x00000000	DDR Urgent Select
<a href="#">DDR_DFI_STATUS</a>	0x00000620	32	mixed	0x00000000	DDR DFI status
<a href="#">MIO_PIN_00</a>	0x00000700	32	rw	0x00001601	MIO Pin 0 Control
<a href="#">MIO_PIN_01</a>	0x00000704	32	rw	0x00001601	MIO Pin 1 Control
<a href="#">MIO_PIN_02</a>	0x00000708	32	rw	0x00000601	MIO Pin 2 Control
<a href="#">MIO_PIN_03</a>	0x0000070C	32	rw	0x00000601	MIO Pin 3 Control

Register Name	Address	Width	Type	Reset Value	Description
<a href="#">MIO_PIN_04</a>	0x00000710	32	rw	0x00000601	MIO Pin 4 Control
<a href="#">MIO_PIN_05</a>	0x00000714	32	rw	0x00000601	MIO Pin 5 Control
<a href="#">MIO_PIN_06</a>	0x00000718	32	rw	0x00000601	MIO Pin 6 Control
<a href="#">MIO_PIN_07</a>	0x0000071C	32	rw	0x00000601	MIO Pin 7 Control
<a href="#">MIO_PIN_08</a>	0x00000720	32	rw	0x00000601	MIO Pin 8 Control
<a href="#">MIO_PIN_09</a>	0x00000724	32	rw	0x00001601	MIO Pin 9 Control
<a href="#">MIO_PIN_10</a>	0x00000728	32	rw	0x00001601	MIO Pin 10 Control
<a href="#">MIO_PIN_11</a>	0x0000072C	32	rw	0x00001601	MIO Pin 11 Control
<a href="#">MIO_PIN_12</a>	0x00000730	32	rw	0x00001601	MIO Pin 12 Control
<a href="#">MIO_PIN_13</a>	0x00000734	32	rw	0x00001601	MIO Pin 13 Control
<a href="#">MIO_PIN_14</a>	0x00000738	32	rw	0x00001601	MIO Pin 14 Control
<a href="#">MIO_PIN_15</a>	0x0000073C	32	rw	0x00001601	MIO Pin 15 Control
<a href="#">MIO_PIN_16</a>	0x00000740	32	rw	0x00001601	MIO Pin 16 Control
<a href="#">MIO_PIN_17</a>	0x00000744	32	rw	0x00001601	MIO Pin 17 Control
<a href="#">MIO_PIN_18</a>	0x00000748	32	rw	0x00001601	MIO Pin 18 Control
<a href="#">MIO_PIN_19</a>	0x0000074C	32	rw	0x00001601	MIO Pin 19 Control
<a href="#">MIO_PIN_20</a>	0x00000750	32	rw	0x00001601	MIO Pin 20 Control
<a href="#">MIO_PIN_21</a>	0x00000754	32	rw	0x00001601	MIO Pin 21 Control
<a href="#">MIO_PIN_22</a>	0x00000758	32	rw	0x00001601	MIO Pin 22 Control
<a href="#">MIO_PIN_23</a>	0x0000075C	32	rw	0x00001601	MIO Pin 23 Control
<a href="#">MIO_PIN_24</a>	0x00000760	32	rw	0x00001601	MIO Pin 24 Control
<a href="#">MIO_PIN_25</a>	0x00000764	32	rw	0x00001601	MIO Pin 25 Control
<a href="#">MIO_PIN_26</a>	0x00000768	32	rw	0x00001601	MIO Pin 26 Control
<a href="#">MIO_PIN_27</a>	0x0000076C	32	rw	0x00001601	MIO Pin 27 Control
<a href="#">MIO_PIN_28</a>	0x00000770	32	rw	0x00001601	MIO Pin 28 Control
<a href="#">MIO_PIN_29</a>	0x00000774	32	rw	0x00001601	MIO Pin 29 Control
<a href="#">MIO_PIN_30</a>	0x00000778	32	rw	0x00001601	MIO Pin 30 Control
<a href="#">MIO_PIN_31</a>	0x0000077C	32	rw	0x00001601	MIO Pin 31 Control
<a href="#">MIO_PIN_32</a>	0x00000780	32	rw	0x00001601	MIO Pin 32 Control
<a href="#">MIO_PIN_33</a>	0x00000784	32	rw	0x00001601	MIO Pin 33 Control
<a href="#">MIO_PIN_34</a>	0x00000788	32	rw	0x00001601	MIO Pin 34 Control
<a href="#">MIO_PIN_35</a>	0x0000078C	32	rw	0x00001601	MIO Pin 35 Control
<a href="#">MIO_PIN_36</a>	0x00000790	32	rw	0x00001601	MIO Pin 36 Control
<a href="#">MIO_PIN_37</a>	0x00000794	32	rw	0x00001601	MIO Pin 37 Control

Register Name	Address	Width	Type	Reset Value	Description
<a href="#">MIO_PIN_38</a>	0x00000798	32	rw	0x00001601	MIO Pin 38 Control
<a href="#">MIO_PIN_39</a>	0x0000079C	32	rw	0x00001601	MIO Pin 39 Control
<a href="#">MIO_PIN_40</a>	0x000007A0	32	rw	0x00001601	MIO Pin 40 Control
<a href="#">MIO_PIN_41</a>	0x000007A4	32	rw	0x00001601	MIO Pin 41 Control
<a href="#">MIO_PIN_42</a>	0x000007A8	32	rw	0x00001601	MIO Pin 42 Control
<a href="#">MIO_PIN_43</a>	0x000007AC	32	rw	0x00001601	MIO Pin 43 Control
<a href="#">MIO_PIN_44</a>	0x000007B0	32	rw	0x00001601	MIO Pin 44 Control
<a href="#">MIO_PIN_45</a>	0x000007B4	32	rw	0x00001601	MIO Pin 45 Control
<a href="#">MIO_PIN_46</a>	0x000007B8	32	rw	0x00001601	MIO Pin 46 Control
<a href="#">MIO_PIN_47</a>	0x000007BC	32	rw	0x00001601	MIO Pin 47 Control
<a href="#">MIO_PIN_48</a>	0x000007C0	32	rw	0x00001601	MIO Pin 48 Control
<a href="#">MIO_PIN_49</a>	0x000007C4	32	rw	0x00001601	MIO Pin 49 Control
<a href="#">MIO_PIN_50</a>	0x000007C8	32	rw	0x00001601	MIO Pin 50 Control
<a href="#">MIO_PIN_51</a>	0x000007CC	32	rw	0x00001601	MIO Pin 51 Control
<a href="#">MIO_PIN_52</a>	0x000007D0	32	rw	0x00001601	MIO Pin 52 Control
<a href="#">MIO_PIN_53</a>	0x000007D4	32	rw	0x00001601	MIO Pin 53 Control
<a href="#">MIO_LOOPBACK</a>	0x00000804	32	rw	0x00000000	Loopback function within MIO
<a href="#">MIO_MST_TRI0</a>	0x0000080C	32	rw	0xFFFFFFFF	MIO pin Tri-state Enables, 31:0
<a href="#">MIO_MST_TRI1</a>	0x00000810	32	rw	0x003FFFFFFF	MIO pin Tri-state Enables, 53:32
<a href="#">SD0_WP_CD_SEL</a>	0x00000830	32	rw	0x00000000	SDIO 0 WP CD select
<a href="#">SD1_WP_CD_SEL</a>	0x00000834	32	rw	0x00000000	SDIO 1 WP CD select
<a href="#">LVL_SHFTR_EN</a>	0x00000900	32	rw	0x00000000	Level Shifters Enable
<a href="#">OCM_CFG</a>	0x00000910	32	rw	0x00000000	OCM Address Mapping
<a href="#">Reserved</a>	0x00000A1C	32	rw	0x00010101	Reserved
<a href="#">GPIOB_CTRL</a>	0x00000B00	32	rw	0x00000000	PS IO Buffer Control
<a href="#">GPIOB_CFG_CMOS18</a>	0x00000B04	32	rw	0x00000000	MIO GPIOB CMOS 1.8V config
<a href="#">GPIOB_CFG_CMOS25</a>	0x00000B08	32	rw	0x00000000	MIO GPIOB CMOS 2.5V config
<a href="#">GPIOB_CFG_CMOS33</a>	0x00000B0C	32	rw	0x00000000	MIO GPIOB CMOS 3.3V config
<a href="#">GPIOB_CFG_HSTL</a>	0x00000B14	32	rw	0x00000000	MIO GPIOB HSTL config
<a href="#">GPIOB_DRVR_BIAS_CTRL</a>	0x00000B18	32	mixed	0x00000000	MIO GPIOB Driver Bias Control
<a href="#">DDRIOB_ADDR0</a>	0x00000B40	32	rw	0x00000800	DDR IOB Config for A[14:0], CKE and DRST_B

Register Name	Address	Width	Type	Reset Value	Description
<a href="#">DDRIOB_ADDR1</a>	0x00000B44	32	rw	0x00000800	DDR IOB Config for BA[2:0], ODT, CS_B, WE_B, RAS_B and CAS_B
<a href="#">DDRIOB_DATA0</a>	0x00000B48	32	rw	0x00000800	DDR IOB Config for Data 15:0
<a href="#">DDRIOB_DATA1</a>	0x00000B4C	32	rw	0x00000800	DDR IOB Config for Data 31:16
<a href="#">DDRIOB_DIFF0</a>	0x00000B50	32	rw	0x00000800	DDR IOB Config for DQS 1:0
<a href="#">DDRIOB_DIFF1</a>	0x00000B54	32	rw	0x00000800	DDR IOB Config for DQS 3:2
<a href="#">DDRIOB_CLOCK</a>	0x00000B58	32	rw	0x00000800	DDR IOB Config for Clock Output
<a href="#">DDRIOB_DRIVE_SLEW_ADDR</a>	0x00000B5C	32	rw	0x00000000	Drive and Slew controls for Address and Command pins of the DDR Interface
<a href="#">DDRIOB_DRIVE_SLEW_DATA</a>	0x00000B60	32	rw	0x00000000	Drive and Slew controls for DQ pins of the DDR Interface
<a href="#">DDRIOB_DRIVE_SLEW_DIFF</a>	0x00000B64	32	rw	0x00000000	Drive and Slew controls for DQS pins of the DDR Interface
<a href="#">DDRIOB_DRIVE_SLEW_CLOCK</a>	0x00000B68	32	rw	0x00000000	Drive and Slew controls for Clock pins of the DDR Interface
<a href="#">DDRIOB_DDR_CTRL</a>	0x00000B6C	32	rw	0x00000000	DDR IOB Buffer Control
<a href="#">DDRIOB_DCI_CTRL</a>	0x00000B70	32	rw	0x00000020	DDR IOB DCI Config
<a href="#">DDRIOB_DCI_STATUS</a>	0x00000B74	32	mixed	0x00000000	DDR IO Buffer DCI Status

### Register ([slcr](#)) SCL

Name	SCL
Relative Address	0x00000000
Absolute Address	0xF8000000
Width	32 bits
Access Type	rw
Reset Value	0x00000000
Description	Secure Configuration Lock

Register SCL Details

Field Name	Bits	Type	Reset Value	Description
reserved	31:1	rw	0x0	Reserved. Writes are ignored, read data is zero.
LOCK	0	rw	0x0	Secure configuration lock for these slcr registers: SCL, PSS_RST_CTRL, APU_CTRL, and WDT_CLK_SEL. Read: 0: unlocked, Secure writes to secure configuration registers are enabled. 1: locked, all writes to secure configuration registers are ignored. Write: 0: noaffect. 1: lock the secure configuration registers. Once the secure registers are locked, they remain locked until a power-on reset cycle (PS_POR_B).

Register ([slcr](#)) SLCR\_LOCK

Name	SLCR_LOCK
Relative Address	0x00000004
Absolute Address	0xF8000004
Width	32 bits
Access Type	wo
Reset Value	0x00000000
Description	SLCR Write Protection Lock

Register SLCR\_LOCK Details

Field Name	Bits	Type	Reset Value	Description
reserved	31:16	wo	0x0	Reserved. Writes are ignored, read data is zero.
LOCK_KEY	15:0	wo	0x0	Write the lock key, 0x767B, to write protect the slcr registers: all slcr registers, 0xF800_0000 to 0xF800_0B74, are write protected until the unlock key is written to the SLCR_UNLOCK register. A read of this register returns zero.

Register ([slcr](#)) SLCR\_UNLOCK

Name	SLCR_UNLOCK
Relative Address	0x00000008
Absolute Address	0xF8000008

Width 32 bits  
 Access Type wo  
 Reset Value 0x00000000  
 Description SLCR Write Protection Unlock

Register SLCR\_UNLOCK Details

Field Name	Bits	Type	Reset Value	Description
reserved	31:16	wo	0x0	Reserved. Writes are ignored, read data is zero.
UNLOCK_KEY	15:0	wo	0x0	Write the unlock key, 0xDF0D, to enable writes to the slcr registers. All slcr registers, 0xF800_0000 to 0xF800_0B74, are writeable until locked using the SLCR_LOCK register. A read of this register returns zero.

Register ([slcr](#)) SLCR\_LOCKSTA

Name SLCR\_LOCKSTA  
 Relative Address 0x0000000C  
 Absolute Address 0xF800000C  
 Width 32 bits  
 Access Type ro  
 Reset Value 0x00000001  
 Description SLCR Write Protection Status

Register SLCR\_LOCKSTA Details

Field Name	Bits	Type	Reset Value	Description
reserved	31:1	ro	0x0	Reserved. Writes are ignored, read data is zero.
LOCK_STATUS	0	ro	0x1	Current state of write protection mode of SLCR: 0: Registers are writeable. Use the slcr.SLCR_LOCK register to lock the slcr registers. 1: Registers are not writeable. Any attempt to write to an slcr register is ignored, but reads will return valid register values. Use the slcr.SLCR_UNLOCK register to unlock the slcr registers.

Register ([slcr](#)) ARM\_PLL\_CTRL

Name ARM\_PLL\_CTRL  
 Relative Address 0x00000100



Absolute Address      0xF8000100  
 Width                      32 bits  
 Access Type              rw  
 Reset Value              0x0001A008  
 Description              ARM PLL Control

### Register ARM\_PLL\_CTRL Details

Field Name	Bits	Type	Reset Value	Description
reserved	31:19	rw	0x0	Reserved. Writes are ignored, read data is zero.
PLL_FDIV	18:12	rw	0x1A	Provide the feedback divisor for the PLL. Note: Before changing this value, the PLL must first be bypassed and then put into reset mode. Refer to the Zynq-7000 TRM, UG585, Clocks chapter for CP/RES/CNT values for the PLL.
reserved	11:5	rw	0x0	Reserved. Writes are ignored, read data is zero.
PLL_BYPASS_FORCE	4	rw	0x0	ARM PLL Bypass override control: PLL_BYPASS_QUAL = 0: 0: enabled, not bypassed. 1: bypassed. PLL_BYPASS_QUAL = 1 (QUAL bit default value): 0: PLL mode is set based on pin strap setting. 1: PLL bypassed regardless of the pin strapping.
PLL_BYPASS_QUAL	3	rw	0x1	Select the source for the ARM PLL Bypass Control: 0: controlled by the PLL_BYPASS_FORCE bit, bit 4. 1: controlled by the value of the sampled BOOT_MODE pin strapping resistor PLL_BYPASS. This can be read using the BOOT_MODE[4] bit.
reserved	2	rw	0x0	Reserved. Writes are ignored, read data is zero.
PLL_PWRDWN	1	rw	0x0	PLL Power-down control: 0: PLL powered up 1: PLL powered down
PLL_RESET	0	rw	0x0	PLL reset control: 0: de-assert (PLL operating) 1: assert (PLL held in reset)

### Register ([slcr](#)) DDR\_PLL\_CTRL

Name                      DDR\_PLL\_CTRL

Relative Address	0x00000104
Absolute Address	0xF8000104
Width	32 bits
Access Type	rw
Reset Value	0x0001A008
Description	DDR PLL Control

## Register DDR\_PLL\_CTRL Details

Field Name	Bits	Type	Reset Value	Description
reserved	31:19	rw	0x0	Reserved. Writes are ignored, read data is zero.
PLL_FDIV	18:12	rw	0x1A	Provide the feedback divisor for the PLL. Note: Before changing this value, the PLL must first be bypassed and then put into reset mode. Refer to the Zynq-7000 TRM, UG585, Clocks chapter for CP/RES/CNT values for the PLL.
reserved	11:5	rw	0x0	Reserved. Writes are ignored, read data is zero.
PLL_BYPASS_FORCE	4	rw	0x0	DDR PLL Bypass override control: PLL_BYPASS_QUAL = 0 0: enabled, not bypassed. 1: bypassed. PLL_BYPASS_QUAL = 1 (QUAL bit default value) 0: PLL mode is set based on pin strap setting. 1: PLL bypass is enabled regardless of the pin strapping.
PLL_BYPASS_QUAL	3	rw	0x1	Select the source for the DDR PLL Bypass: 0: controlled by the PLL_BYPASS_FORCE bit. 1: controlled by the value of the sampled BOOT_MODE pin strapping resistor PLL_BYPASS. This can be read using the slcr.BOOT_MODE[4] bit.
reserved	2	rw	0x0	Reserved. Writes are ignored, read data is zero.
PLL_PWRDWN	1	rw	0x0	PLL Power-down control: 0: PLL powered up 1: PLL powered down
PLL_RESET	0	rw	0x0	PLL reset control: 0: de-assert (PLL operating) 1: assert (PLL held in reset)

### Register ([slcr](#)) IO\_PLL\_CTRL

Name	IO_PLL_CTRL
Relative Address	0x00000108
Absolute Address	0xF8000108
Width	32 bits
Access Type	rw
Reset Value	0x0001A008
Description	IO PLL Control

#### Register IO\_PLL\_CTRL Details

Field Name	Bits	Type	Reset Value	Description
reserved	31:19	rw	0x0	Reserved. Writes are ignored, read data is zero.
PLL_FDIV	18:12	rw	0x1A	Provide the feedback divisor for the PLL. Note: Before changing this value, the PLL must first be bypassed and then put into reset mode. Refer to the Zynq-7000 TRM, UG585, Clocks chapter for CP/RES/CNT values for programming the PLL.
reserved	11:5	rw	0x0	Reserved. Writes are ignored, read data is zero.
PLL_BYPASS_FORCE	4	rw	0x0	IO PLL Bypass override control: PLL_BYPASS_QUAL = 0 0: enabled, not bypassed. 1: bypassed. PLL_BYPASS_QUAL = 1 (QUAL bit default value) 0: PLL mode is set based on pin strap setting. 1: PLL bypass is enabled regardless of the pin strapping.
PLL_BYPASS_QUAL	3	rw	0x1	Select the source for the IO PLL Bypass: 0: controlled by the PLL_BYPASS_FORCE bit. 1: controlled by the value of the sampled BOOT_MODE pin strapping resistor PLL_BYPASS. This can be read using the slcr.BOOT_MODE[4] bit.
reserved	2	rw	0x0	Reserved. Writes are ignored, read data is zero.
PLL_PWRDWN	1	rw	0x0	PLL Power-down control: 0: PLL powered up 1: PLL powered down
PLL_RESET	0	rw	0x0	PLL Reset control: 0: de-assert (PLL operating) 1: assert (PLL held in reset)

### Register ([slcr](#)) PLL\_STATUS

Name	PLL_STATUS
Relative Address	0x0000010C
Absolute Address	0xF800010C
Width	32 bits
Access Type	ro
Reset Value	0x0000003F
Description	PLL Status

#### Register PLL\_STATUS Details

Note: Reset condition is actually 0, but will read a 1 by the time this register can be read by software if PLLs are enabled by BOOT\_MODE.

Field Name	Bits	Type	Reset Value	Description
reserved	31:6	ro	0x0	Reserved. Writes are ignored, read data is zero.
IO_PLL_STABLE	5	ro	0x1	IO PLL clock stable status: 0: not locked and not in bypass 1: locked or bypassed
DDR_PLL_STABLE	4	ro	0x1	DDR PLL clock stable status: 0: not locked and not in bypass 1: locked or bypassed
ARM_PLL_STABLE	3	ro	0x1	ARM PLL clock stable status: 0: not locked and not in bypass 1: locked or bypassed
IO_PLL_LOCK	2	ro	0x1	IO PLL lock status: 0: not locked, 1: locked
DDR_PLL_LOCK	1	ro	0x1	DDR PLL lock status: 0: not locked, 1: locked
ARM_PLL_LOCK	0	ro	0x1	ARM PLL lock status: 0: not locked, 1: locked

### Register ([slcr](#)) ARM\_PLL\_CFG

Name	ARM_PLL_CFG
Relative Address	0x00000110
Absolute Address	0xF8000110
Width	32 bits
Access Type	rw

Reset Value 0x00177EA0  
 Description ARM PLL Configuration

Register ARM\_PLL\_CFG Details

Field Name	Bits	Type	Reset Value	Description
reserved	31:22	rw	0x0	Reserved. Writes are ignored, read data is zero.
LOCK_CNT	21:12	rw	0x177	Drive the LOCK_CNT[9:0] input of the PLL to set the number of clock cycles the PLL needs to have clkref and clkfb aligned with a certain window before syaing locked.
PLL_CP	11:8	rw	0xE	Drive the PLL_CP[3:0] input of the PLL to set the PLL charge pump control
PLL_RES	7:4	rw	0xA	Drive the PLL_RES[3:0] input of the PLL to set the PLL loop filter resistor control
reserved	3:0	rw	0x0	Reserved. Writes are ignored, read data is zero.

Register ([slcr](#)) DDR\_PLL\_CFG

Name DDR\_PLL\_CFG  
 Relative Address 0x00000114  
 Absolute Address 0xF8000114  
 Width 32 bits  
 Access Type rw  
 Reset Value 0x00177EA0  
 Description DDR PLL Configuration

Register DDR\_PLL\_CFG Details

Field Name	Bits	Type	Reset Value	Description
reserved	31:22	rw	0x0	Reserved. Writes are ignored, read data is zero.
LOCK_CNT	21:12	rw	0x177	Drive the LOCK_CNT[9:0] input of the PLL to set the number of clock cycles the PLL needs to have clkref and clkfb aligned with a certain window before staying locked.
PLL_CP	11:8	rw	0xE	Drive the PLL_CP[3:0] input of the PLL to set the PLL charge pump control.
PLL_RES	7:4	rw	0xA	Drive the PLL_RES[3:0] input of the PLL to set the PLL loop filter resistor control.
reserved	3:0	rw	0x0	Reserved. Writes are ignored, read data is zero.

### Register ([slcr](#)) IO\_PLL\_CFG

Name	IO_PLL_CFG
Relative Address	0x00000118
Absolute Address	0xF8000118
Width	32 bits
Access Type	rw
Reset Value	0x00177EA0
Description	IO PLL Configuration

#### Register IO\_PLL\_CFG Details

Field Name	Bits	Type	Reset Value	Description
reserved	31:22	rw	0x0	Reserved. Writes are ignored, read data is zero.
LOCK_CNT	21:12	rw	0x177	Drive the LOCK_CNT[9:0] input of the PLL to set the number of clock cycles the PLL needs to have clkref and clkfb aligned with a certain window before staying locked.
PLL_CP	11:8	rw	0xE	Drive the PLL_CP[3:0] input of the PLL to set the PLL charge pump control.
PLL_RES	7:4	rw	0xA	Drive the PLL_RES[3:0] input of the PLL to set the PLL loop filter resistor control.
reserved	3:0	rw	0x0	Reserved. Writes are ignored, read data is zero.

### Register ([slcr](#)) ARM\_CLK\_CTRL

Name	ARM_CLK_CTRL
Relative Address	0x00000120
Absolute Address	0xF8000120
Width	32 bits
Access Type	rw
Reset Value	0x1F000400
Description	CPU Clock Control

#### Register ARM\_CLK\_CTRL Details

Field Name	Bits	Type	Reset Value	Description
reserved	31:29	rw	0x0	Reserved. Writes are ignored, read data is zero.
CPU_PERI_CLKACT	28	rw	0x1	Clock active: 0: Clock is disabled 1: Clock is enabled

Field Name	Bits	Type	Reset Value	Description
CPU_1XCLKACT	27	rw	0x1	CPU_1x Clock control: 0: disable, 1: enable
CPU_2XCLKACT	26	rw	0x1	CPU_2x Clock control: 0: disable, 1: enable
CPU_3OR2XCLKACT	25	rw	0x1	CPU_3x2x Clock control: 0: disable, 1: enable
CPU_6OR4XCLKACT	24	rw	0x1	CPU_6x4x Clock control: 0: disable, 1: enable
reserved	23:14	rw	0x0	Reserved. Writes are ignored, read data is zero.
DIVISOR	13:8	rw	0x4	Frequency divisor for the CPU clock source. (When PLL is being used, 1&3 are illegal values)
reserved	7:6	rw	0x0	Reserved. Writes are ignored, read data is zero.
SRCSEL	5:4	rw	0x0	Select the source used to generate the CPU clock: 0x: ARM PLL 10: DDR PLL 11: IO PLL This field is reset by POR only.
reserved	3:0	rw	0x0	Reserved. Writes are ignored, read data is zero.

### Register ([slcr](#)) DDR\_CLK\_CTRL

Name	DDR_CLK_CTRL
Relative Address	0x00000124
Absolute Address	0xF8000124
Width	32 bits
Access Type	rw
Reset Value	0x18400003
Description	DDR Clock Control

#### Register DDR\_CLK\_CTRL Details

Note: the DDR\_3x and DDR\_2x clocks are asynchronous to each other and without a fixed frequency ratio. The frequency of each DDR clock is independently programmed. Generally, the DDR\_3x clock runs faster than the DDR2x clock.

Field Name	Bits	Type	Reset Value	Description
DDR_2XCLK_DIVISOR	31:26	rw	0x6	Frequency divisor for the ddr_2x clock
DDR_3XCLK_DIVISOR	25:20	rw	0x4	Frequency divisor for the ddr_3x clock. (Only even divisors are allowed)

Field Name	Bits	Type	Reset Value	Description
reserved	19:2	rw	0x0	Reserved. Writes are ignored, read data is zero.
DDR_2XCLKACT	1	rw	0x1	DDR_2x Clock control: 0: disable, 1: enable
DDR_3XCLKACT	0	rw	0x1	DDR_3x Clock control: 0: disable, 1: enable

### Register ([slcr](#)) DCI\_CLK\_CTRL

Name	DCI_CLK_CTRL
Relative Address	0x00000128
Absolute Address	0xF8000128
Width	32 bits
Access Type	rw
Reset Value	0x01E03201
Description	DCI clock control

#### Register DCI\_CLK\_CTRL Details

Field Name	Bits	Type	Reset Value	Description
reserved	31:26	rw	0x0	Reserved. Writes are ignored, read data is zero.
DIVISOR1	25:20	rw	0x1E	Provides the divisor used to divide the source clock to generate the required generated clock frequency. Second cascade divider
reserved	19:14	rw	0x0	Reserved. Writes are ignored, read data is zero.
DIVISOR0	13:8	rw	0x32	Provides the divisor used to divide the source clock to generate the required generated clock frequency.
reserved	7:1	rw	0x0	Reserved. Writes are ignored, read data is zero.
CLKACT	0	rw	0x1	DCI clock control 0: Disable 1: Enable

### Register ([slcr](#)) APER\_CLK\_CTRL

Name	APER_CLK_CTRL
Relative Address	0x0000012C
Absolute Address	0xF800012C
Width	32 bits



Access Type                rw  
 Reset Value                0x01FFCCCD  
 Description                AMBA Peripheral Clock Control

### Register APER\_CLK\_CTRL Details

Please note that these clocks must be enabled if you want to read from the peripheral register space.

Field Name	Bits	Type	Reset Value	Description
reserved	31:25	rw	0x0	Reserved. Writes are ignored, read data is zero.
SMC_CPU_1XCLKACT	24	rw	0x1	SMC AMBA Clock control 0: disable, 1: enable
LQSPI_CPU_1XCLKACT	23	rw	0x1	Quad SPI AMBA Clock control 0: disable, 1: enable
GPIO_CPU_1XCLKACT	22	rw	0x1	GPIO AMBA Clock control 0: disable, 1: enable
UART1_CPU_1XCLKACT	21	rw	0x1	UART 1 AMBA Clock control 0: disable, 1: enable
UART0_CPU_1XCLKACT	20	rw	0x1	UART 0 AMBA Clock control 0: disable, 1: enable
I2C1_CPU_1XCLKACT	19	rw	0x1	I2C 1 AMBA Clock control 0: disable, 1: enable
I2C0_CPU_1XCLKACT	18	rw	0x1	I2C 0 AMBA Clock control 0: disable, 1: enable
CAN1_CPU_1XCLKACT	17	rw	0x1	CAN 1 AMBA Clock control 0: disable, 1: enable
CAN0_CPU_1XCLKACT	16	rw	0x1	CAN 0 AMBA Clock control 0: disable, 1: enable
SPI1_CPU_1XCLKACT	15	rw	0x1	SPI 1 AMBA Clock control 0: disable, 1: enable
SPI0_CPU_1XCLKACT	14	rw	0x1	SPI 0 AMBA Clock control 0: disable, 1: enable
reserved	13	rw	0x0	Reserved. Writes are ignored, read data is zero.
reserved	12	rw	0x0	Reserved. Writes are ignored, read data is zero.
SDI1_CPU_1XCLKACT	11	rw	0x1	SDIO controller 1 AMBA Clock control 0: disable, 1: enable
SDI0_CPU_1XCLKACT	10	rw	0x1	SDIO controller 0 AMBA Clock 0: disable, 1: enable
reserved	9	rw	0x0	Reserved. Writes are ignored, read data is zero.

Field Name	Bits	Type	Reset Value	Description
reserved	8	rw	0x0	Reserved. Writes are ignored, read data is zero.
GEM1_CPU_1XCLKACT	7	rw	0x1	Gigabit Ethernet 1 AMBA Clock control 0: disable, 1: enable
GEM0_CPU_1XCLKACT	6	rw	0x1	Gigabit Ethernet 0 AMBA Clock control 0: disable, 1: enable
reserved	5	rw	0x0	Reserved. Writes are ignored, read data is zero.
reserved	4	rw	0x0	Reserved. Writes are ignored, read data is zero.
USB1_CPU_1XCLKACT	3	rw	0x1	USB controller 1 AMBA Clock control 0: disable, 1: enable
USB0_CPU_1XCLKACT	2	rw	0x1	USB controller 0 AMBA Clock control 0: disable, 1: enable
reserved	1	rw	0x0	Reserved. Writes are ignored, read data is zero.
DMA_CPU_2XCLKACT	0	rw	0x1	DMA controller AMBA Clock control 0: disable, 1: enable

### Register ([slcr](#)) USB0\_CLK\_CTRL

Name	USB0_CLK_CTRL
Relative Address	0x00000130
Absolute Address	0xF8000130
Width	32 bits
Access Type	rw
Reset Value	0x00101941
Description	USB 0 ULPI Clock Control

#### Register USB0\_CLK\_CTRL Details

Field Name	Bits	Type	Reset Value	Description
reserved	31:26	rw	0x0	Reserved. Writes are ignored, read data is zero.
reserved	25:20	rw	0x1	Reserved. Do not modify.
reserved	19:14	rw	0x0	Reserved. Writes are ignored, read data is zero.
reserved	13:8	rw	0x19	Reserved. Do not modify.
reserved	7	rw	0x0	Reserved. Writes are ignored, read data is zero.
SRCSEL	6:4	rw	0x4	Select the source to generate USB controller 0 ULPI clock: 1xx: USB 0 MIO ULPI clock (top level MIO ULPI clock is an input)

Field Name	Bits	Type	Reset Value	Description
reserved	3:1	rw	0x0	Reserved. Writes are ignored, read data is zero.
reserved	0	rw	0x1	Reserved. Do not modify.

### Register ([slcr](#)) USB1\_CLK\_CTRL

Name	USB1_CLK_CTRL
Relative Address	0x00000134
Absolute Address	0xF8000134
Width	32 bits
Access Type	rw
Reset Value	0x00101941
Description	USB 1 ULPI Clock Control

#### Register USB1\_CLK\_CTRL Details

Field Name	Bits	Type	Reset Value	Description
reserved	31:26	rw	0x0	Reserved. Writes are ignored, read data is zero.
reserved	25:20	rw	0x1	Reserved. Do not modify.
reserved	19:14	rw	0x0	Reserved. Writes are ignored, read data is zero.
reserved	13:8	rw	0x19	Reserved. Do not modify.
reserved	7	rw	0x0	Reserved. Writes are ignored, read data is zero.
SRCSEL	6:4	rw	0x4	Select the source to generate USB controller 1 ULPI clock: 1xx: USB 1 MIO ULPI clock (top level MIO ULPI clock is an input)
reserved	3:1	rw	0x0	Reserved. Writes are ignored, read data is zero.
reserved	0	rw	0x1	Reserved. Do not modify.

### Register ([slcr](#)) GEM0\_RCLK\_CTRL

Name	GEM0_RCLK_CTRL
Relative Address	0x00000138
Absolute Address	0xF8000138
Width	32 bits
Access Type	rw
Reset Value	0x00000001
Description	GigE 0 Rx Clock and Rx Signals Select

Register GEM0\_RCLK\_CTRL Details

Field Name	Bits	Type	Reset Value	Description
reserved	31:5	rw	0x0	Reserved. Writes are ignored, read data is zero.
SRCSEL	4	rw	0x0	Select the source of the Rx clock, control and data signals: 0: MIO 1: EMIO
reserved	3:1	rw	0x0	Reserved. Writes are ignored, read data is zero.
CLKACT	0	rw	0x1	Ethernet Controller 0 Rx Clock control 0: disable, 1: enable

Register ([slcr](#)) GEM1\_RCLK\_CTRL

Name	GEM1_RCLK_CTRL
Relative Address	0x0000013C
Absolute Address	0xF800013C
Width	32 bits
Access Type	rw
Reset Value	0x00000001
Description	GigE 1 Rx Clock and Rx Signals Select

Register GEM1\_RCLK\_CTRL Details

Field Name	Bits	Type	Reset Value	Description
reserved	31:5	rw	0x0	Reserved. Writes are ignored, read data is zero.
SRCSEL	4	rw	0x0	Select the source of the Rx clock, control and data signals: 0: MIO 1: EMIO
reserved	3:1	rw	0x0	Reserved. Writes are ignored, read data is zero.
CLKACT	0	rw	0x1	Ethernet Controller 1 Rx Clock control 0: disable, 1: enable

Register ([slcr](#)) GEM0\_CLK\_CTRL

Name	GEM0_CLK_CTRL
Relative Address	0x00000140
Absolute Address	0xF8000140
Width	32 bits

Access Type                rw  
 Reset Value               0x00003C01  
 Description                GigE 0 Ref Clock Control

Register GEM0\_CLK\_CTRL Details

Field Name	Bits	Type	Reset Value	Description
reserved	31:26	rw	0x0	Reserved. Writes are ignored, read data is zero.
DIVISOR1	25:20	rw	0x0	Second divisor for Ethernet controller 0 source clock.
reserved	19:14	rw	0x0	Reserved. Writes are ignored, read data is zero.
DIVISOR	13:8	rw	0x3C	First divisor for Ethernet controller 0 source clock.
reserved	7	rw	0x0	Reserved. Writes are ignored, read data is zero.
SRCSEL	6:4	rw	0x0	Selects the source to generate the reference clock 00x: IO PLL. 010: ARM PLL. 011: DDR PLL 1xx: Ethernet controller 0 EMIO clock
reserved	3:1	rw	0x0	Reserved. Writes are ignored, read data is zero.
CLKACT	0	rw	0x1	Ethernet Controller 0 Reference Clock control 0: disable, 1: enable

Register ([slcr](#)) GEM1\_CLK\_CTRL

Name                        GEM1\_CLK\_CTRL  
 Relative Address           0x00000144  
 Absolute Address          0xF8000144  
 Width                      32 bits  
 Access Type                rw  
 Reset Value                0x00003C01  
 Description                GigE 1 Ref Clock Control

Register GEM1\_CLK\_CTRL Details

Field Name	Bits	Type	Reset Value	Description
reserved	31:26	rw	0x0	Reserved. Writes are ignored, read data is zero.
DIVISOR1	25:20	rw	0x0	Second divisor for Ethernet controller 1 source clock.
reserved	19:14	rw	0x0	Reserved. Writes are ignored, read data is zero.

Field Name	Bits	Type	Reset Value	Description
DIVISOR	13:8	rw	0x3C	First divisor for Ethernet controller 1 source clock.
reserved	7	rw	0x0	Reserved. Writes are ignored, read data is zero.
SRCSEL	6:4	rw	0x0	Selects the source to generate the reference clock 00x: IO PLL. 010: ARM PLL. 011: DDR PLL 1xx: Ethernet controller 1 EMIO clock
reserved	3:1	rw	0x0	Reserved. Writes are ignored, read data is zero.
CLKACT	0	rw	0x1	Ethernet Controller 1 Reference Clock control 0: disable, 1: enable

### Register ([slcr](#)) SMC\_CLK\_CTRL

Name	SMC_CLK_CTRL
Relative Address	0x00000148
Absolute Address	0xF8000148
Width	32 bits
Access Type	rw
Reset Value	0x00003C21
Description	SMC Ref Clock Control

#### Register SMC\_CLK\_CTRL Details

Field Name	Bits	Type	Reset Value	Description
reserved	31:14	rw	0x0	Reserved. Writes are ignored, read data is zero.
DIVISOR	13:8	rw	0x3C	Divisor for SMC source clock.
reserved	7:6	rw	0x0	Reserved. Writes are ignored, read data is zero.
SRCSEL	5:4	rw	0x2	Select clock source generate SMC clock: 0x: IO PLL, 10: ARM PLL, 11: DDR PLL
reserved	3:1	rw	0x0	Reserved. Writes are ignored, read data is zero.
CLKACT	0	rw	0x1	SMC Reference Clock control 0: disable, 1: enable

### Register ([slcr](#)) LQSPI\_CLK\_CTRL

Name	LQSPI_CLK_CTRL
Relative Address	0x0000014C

Absolute Address 0xF800014C  
 Width 32 bits  
 Access Type rw  
 Reset Value 0x00002821  
 Description Quad SPI Ref Clock Control

Register LQSPI\_CLK\_CTRL Details

Field Name	Bits	Type	Reset Value	Description
reserved	31:14	rw	0x0	Reserved. Writes are ignored, read data is zero.
DIVISOR	13:8	rw	0x28	Divisor for Quad SPI Controller source clock.
reserved	7:6	rw	0x0	Reserved. Writes are ignored, read data is zero.
SRCSEL	5:4	rw	0x2	Select clock source generate Quad SPI clock: 0x: IO PLL, 10: ARM PLL, 11: DDR PLL
reserved	3:1	rw	0x0	Reserved. Writes are ignored, read data is zero.
CLKACT	0	rw	0x1	Quad SPI Controller Reference Clock control 0: disable, 1: enable

Register ([slcr](#)) SDIO\_CLK\_CTRL

Name SDIO\_CLK\_CTRL  
 Relative Address 0x00000150  
 Absolute Address 0xF8000150  
 Width 32 bits  
 Access Type rw  
 Reset Value 0x00001E03  
 Description SDIO Ref Clock Control

Register SDIO\_CLK\_CTRL Details

Field Name	Bits	Type	Reset Value	Description
reserved	31:14	rw	0x0	Reserved. Writes are ignored, read data is zero.
DIVISOR	13:8	rw	0x1E	Provides the divisor used to divide the source clock to generate the required generated clock frequency.
reserved	7:6	rw	0x0	Reserved. Writes are ignored, read data is zero.

Field Name	Bits	Type	Reset Value	Description
SRCSEL	5:4	rw	0x0	Select the source used to generate the clock. 0x: Source for generated clock is IO PLL. 10: Source for generated clock is ARM PLL. 11: Source for generated clock is DDR PLL.
reserved	3:2	rw	0x0	Reserved. Writes are ignored, read data is zero.
CLKACT1	1	rw	0x1	SDIO Controller 1 Clock control. 0: disable, 1: enable
CLKACT0	0	rw	0x1	SDIO Controller 0 Clock control. 0: disable, 1: enable

### Register ([slcr](#)) UART\_CLK\_CTRL

Name	UART_CLK_CTRL
Relative Address	0x00000154
Absolute Address	0xF8000154
Width	32 bits
Access Type	rw
Reset Value	0x00003F03
Description	UART Ref Clock Control

#### Register UART\_CLK\_CTRL Details

Field Name	Bits	Type	Reset Value	Description
reserved	31:14	rw	0x0	Reserved. Writes are ignored, read data is zero.
DIVISOR	13:8	rw	0x3F	Divisor for UART Controller source clock.
reserved	7:6	rw	0x0	Reserved. Writes are ignored, read data is zero.
SRCSEL	5:4	rw	0x0	Selects the PLL source to generate the clock. 0x: IO PLL 10: ARM PLL 11: DDR PLL
reserved	3:2	rw	0x0	Reserved. Writes are ignored, read data is zero.
CLKACT1	1	rw	0x1	UART 1 reference clock active: 0: Clock is disabled 1: Clock is enabled
CLKACT0	0	rw	0x1	UART 0 Reference clock control. 0: disable, 1: enable



### Register ([slcr](#)) SPI\_CLK\_CTRL

Name SPI\_CLK\_CTRL  
 Relative Address 0x00000158  
 Absolute Address 0xF8000158  
 Width 32 bits  
 Access Type rw  
 Reset Value 0x00003F03  
 Description SPI Ref Clock Control

#### Register SPI\_CLK\_CTRL Details

Field Name	Bits	Type	Reset Value	Description
reserved	31:14	rw	0x0	Reserved. Writes are ignored, read data is zero.
DIVISOR	13:8	rw	0x3F	Provides the divisor used to divide the source clock to generate the required generated clock frequency.
reserved	7:6	rw	0x0	Reserved. Writes are ignored, read data is zero.
SRCSEL	5:4	rw	0x0	Select the source used to generate the clock: 0x: Source for generated clock is IO PLL. 10: Source for generated clock is ARM PLL. 11: Source for generated clock is DDR PLL.
reserved	3:2	rw	0x0	Reserved. Writes are ignored, read data is zero.
CLKACT1	1	rw	0x1	SPI 1 reference clock active: 0: Clock is disabled 1: Clock is enabled
CLKACT0	0	rw	0x1	SPI 0 reference clock active: 0: Clock is disabled 1: Clock is enabled

### Register ([slcr](#)) CAN\_CLK\_CTRL

Name CAN\_CLK\_CTRL  
 Relative Address 0x0000015C  
 Absolute Address 0xF800015C  
 Width 32 bits  
 Access Type rw  
 Reset Value 0x00501903  
 Description CAN Ref Clock Control

Register CAN\_CLK\_CTRL Details

Field Name	Bits	Type	Reset Value	Description
reserved	31:26	rw	0x0	Reserved. Writes are ignored, read data is zero.
DIVISOR1	25:20	rw	0x5	Provides the divisor used to divide the source clock to generate the required generated clock frequency. Second cascade divider.
reserved	19:14	rw	0x0	Reserved. Writes are ignored, read data is zero.
DIVISOR0	13:8	rw	0x19	Provides the divisor used to divide the source clock to generate the required generated clock frequency. First cascade divider
reserved	7:6	rw	0x0	Reserved. Writes are ignored, read data is zero.
SRCSEL	5:4	rw	0x0	Select the source used to generate the clock: 0x: Source for generated clock is IO PLL. 10: Source for generated clock is ARM PLL. 11: Source for generated clock is DDR PLL.
reserved	3:2	rw	0x0	Reserved. Writes are ignored, read data is zero.
CLKACT1	1	rw	0x1	CAN 1 Reference Clock active: 0: Clock is disabled 1: Clock is enabled
CLKACT0	0	rw	0x1	CAN 0 Reference Clock active: 0: Clock is disabled 1: Clock is enabled

Register ([slcr](#)) CAN\_MIOCLK\_CTRL

Name	CAN_MIOCLK_CTRL
Relative Address	0x00000160
Absolute Address	0xF8000160
Width	32 bits
Access Type	rw
Reset Value	0x00000000
Description	CAN MIO Clock Control

Register CAN\_MIOCLK\_CTRL Details

Field Name	Bits	Type	Reset Value	Description
reserved	31:23	rw	0x0	Reserved. Writes are ignored, read data is zero.
CAN1_REF_SEL	22	rw	0x0	CAN 1 Reference Clock selection: 0: From internal PLL. 1: From MIO based on the next field

Field Name	Bits	Type	Reset Value	Description
CAN1_MUX	21:16	rw	0x0	CAN 1 mux selection for MIO. Setting this to zero will select MIO[0] as the clock source. Only values 0-53 are valid.
reserved	15:7	rw	0x0	Reserved. Writes are ignored, read data is zero.
CAN0_REF_SEL	6	rw	0x0	CAN 0 Reference Clock selection: 0: From internal PLL 1: From MIO based on the next field
CAN0_MUX	5:0	rw	0x0	CAN 0 mux selection for MIO. Setting this to zero will select MIO[0] as the clock source. Only values 0-53 are valid.

### Register ([slcr](#)) DBG\_CLK\_CTRL

Name	DBG_CLK_CTRL
Relative Address	0x00000164
Absolute Address	0xF8000164
Width	32 bits
Access Type	rw
Reset Value	0x00000F03
Description	SoC Debug Clock Control

#### Register DBG\_CLK\_CTRL Details

Field Name	Bits	Type	Reset Value	Description
reserved	31:14	rw	0x0	Reserved. Writes are ignored, read data is zero.
DIVISOR	13:8	rw	0xF	Provides the divisor used to divide the source clock to generate the required generated debug trace clock frequency.
reserved	7	rw	0x0	Reserved. Writes are ignored, read data is zero.
SRCSEL	6:4	rw	0x0	Select the source used to generate the clock: 1xx: Source for generated clock EMIO trace clock 00x: Source for generated clock is IO PLL 010: Source for generated clock is ARM PLL 011: Source for generated clock is DDR PLL
reserved	3:2	rw	0x0	Reserved. Writes are ignored, read data is zero.

Field Name	Bits	Type	Reset Value	Description
CPU_1XCLKACT	1	rw	0x1	Debug CPU 1x Clock active. 0 - Clocks are disabled. 1 - Clocks are enabled
CLKACT_TRC	0	rw	0x1	Debug Trace Clock active: 0: Clock is disabled 1: Clock is enabled

### Register ([slcr](#)) PCAP\_CLK\_CTRL

Name	PCAP_CLK_CTRL
Relative Address	0x00000168
Absolute Address	0xF8000168
Width	32 bits
Access Type	rw
Reset Value	0x00000F01
Description	PCAP Clock Control

#### Register PCAP\_CLK\_CTRL Details

Field Name	Bits	Type	Reset Value	Description
reserved	31:14	rw	0x0	Reserved. Writes are ignored, read data is zero.
DIVISOR	13:8	rw	0xF	Provides the divisor used to divide the source clock to generate the required generated clock frequency.
reserved	7:6	rw	0x0	Reserved. Writes are ignored, read data is zero.
SRCSEL	5:4	rw	0x0	Select the source used to generate the clock: 0x: Source for generated clock is IO PLL. 10: Source for generated clock is ARM PLL. 11: Source for generated clock is DDR PLL.
reserved	3:1	rw	0x0	Reserved. Writes are ignored, read data is zero.
CLKACT	0	rw	0x1	Clock active: 0: Clock is disabled 1: Clock is enabled

### Register ([slcr](#)) TOPSW\_CLK\_CTRL

Name	TOPSW_CLK_CTRL
Relative Address	0x0000016C
Absolute Address	0xF800016C

Width 32 bits  
 Access Type rw  
 Reset Value 0x00000000  
 Description Central Interconnect Clock Control

Register TOPSW\_CLK\_CTRL Details

Field Name	Bits	Type	Reset Value	Description
reserved	31:1	rw	0x0	Reserved. Writes are ignored, read data is zero.
CLK_DIS	0	rw	0x0	Clock disable control: 0: Clock is not disabled 1: Clock can be disabled

Register ([slcr](#)) FPGA0\_CLK\_CTRL

Name FPGA0\_CLK\_CTRL  
 Relative Address 0x00000170  
 Absolute Address 0xF8000170  
 Width 32 bits  
 Access Type rw  
 Reset Value 0x00101800  
 Description PL Clock 0 Output control

Register FPGA0\_CLK\_CTRL Details

Field Name	Bits	Type	Reset Value	Description
reserved	31:26	rw	0x0	Reserved. Writes are ignored, read data is zero.
DIVISOR1	25:20	rw	0x1	Provides the divisor used to divide the source clock to generate the required generated clock frequency. Second cascade divide
reserved	19:14	rw	0x0	Reserved. Writes are ignored, read data is zero.
DIVISOR0	13:8	rw	0x18	Provides the divisor used to divide the source clock to generate the required generated clock frequency. First cascade divider.
reserved	7:6	rw	0x0	Reserved. Writes are ignored, read data is zero.
SRCSEL	5:4	rw	0x0	Select the source used to generate the clock: 0x: Source for generated clock is IO PLL. 10: Source for generated clock is ARM PLL. 11: Source for generated clock is DDR PLL.
reserved	3:0	rw	0x0	Reserved. Writes are ignored, read data is zero.

### Register ([slcr](#)) FPGA0\_THR\_CTRL

Name FPGA0\_THR\_CTRL  
 Relative Address 0x00000174  
 Absolute Address 0xF8000174  
 Width 32 bits  
 Access Type rw  
 Reset Value 0x00000000  
 Description PL Clock 0 Throttle control

#### Register FPGA0\_THR\_CTRL Details

Field Name	Bits	Type	Reset Value	Description
reserved	31:4	rw	0x0	Reserved. Writes are ignored, read data is zero.
reserved	3	rw	0x0	Must be set to 1'b0 to use this feature
reserved	2	rw	0x0	Must be set to 1'b1 to use this feature
CNT_RST	1	rw	0x0	Reset clock throttle counter when in halt state: 0: No effect 1: Causes counter to be reset once HALT state is entered
CPU_START	0	rw	0x0	Start or restart count on detection of 0 to 1 transition in the value of this bit. A read will return the written value. (Reminder that bits 2&3 must be programmed according to description.) 0: No effect 1: Start count or restart count if previous value was 0

### Register ([slcr](#)) FPGA0\_THR\_CNT

Name FPGA0\_THR\_CNT  
 Relative Address 0x00000178  
 Absolute Address 0xF8000178  
 Width 32 bits  
 Access Type rw  
 Reset Value 0x00000000  
 Description PL Clock 0 Throttle Count control

Register FPGA0\_THR\_CNT Details

Field Name	Bits	Type	Reset Value	Description
reserved	31:20	rw	0x0	Reserved. Writes are ignored, read data is zero.
reserved	19:16	rw	0x0	Reserved. Do not modify.
LAST_CNT	15:0	rw	0x0	Last count value. Specifies the total number of clocks output in debug mode by the clock throttle logic.

Register ([slcr](#)) FPGA0\_THR\_STA

Name	FPGA0_THR_STA
Relative Address	0x0000017C
Absolute Address	0xF800017C
Width	32 bits
Access Type	ro
Reset Value	0x00010000
Description	PL Clock 0 Throttle Status read

Register FPGA0\_THR\_STA Details

Field Name	Bits	Type	Reset Value	Description
reserved	31:17	ro	0x0	Reserved. Writes are ignored, read data is zero.
RUNNING	16	ro	0x1	Current running status of FPGA clock output: 0: Clock is stopped or in normal mode (OK to change configuration). 1: Clock is running in debug mode (Keep configuration static).
CURR_VAL	15:0	ro	0x0	Current clock throttle counter value, which indicates the number of clock pulses output so far (only accurate when halted).

Register ([slcr](#)) FPGA1\_CLK\_CTRL

Name	FPGA1_CLK_CTRL
Relative Address	0x00000180
Absolute Address	0xF8000180
Width	32 bits
Access Type	rw
Reset Value	0x00101800

Description PL Clock 1 Output control

Register FPGA1\_CLK\_CTRL Details

Field Name	Bits	Type	Reset Value	Description
reserved	31:26	rw	0x0	Reserved. Writes are ignored, read data is zero.
DIVISOR1	25:20	rw	0x1	Provides the divisor used to divide the source clock to generate the required generated clock frequency. Second cascade divide
reserved	19:14	rw	0x0	Reserved. Writes are ignored, read data is zero.
DIVISOR0	13:8	rw	0x18	Provides the divisor used to divide the source clock to generate the required generated clock frequency. First cascade divider.
reserved	7:6	rw	0x0	Reserved. Writes are ignored, read data is zero.
SRCSEL	5:4	rw	0x0	Select the source used to generate the clock: 0x: Source for generated clock is IO PLL. 10: Source for generated clock is ARM PLL. 11: Source for generated clock is DDR PLL.
reserved	3:0	rw	0x0	Reserved. Writes are ignored, read data is zero.

Register ([slcr](#)) FPGA1\_THR\_CTRL

Name FPGA1\_THR\_CTRL  
 Relative Address 0x00000184  
 Absolute Address 0xF8000184  
 Width 32 bits  
 Access Type rw  
 Reset Value 0x00000000  
 Description PL Clock 1 Throttle control

Register FPGA1\_THR\_CTRL Details

Field Name	Bits	Type	Reset Value	Description
reserved	31:4	rw	0x0	Reserved. Writes are ignored, read data is zero.
reserved	3	rw	0x0	Must be set to 1'b0 to use this feature
reserved	2	rw	0x0	Must be set to 1'b1 to use this feature



Field Name	Bits	Type	Reset Value	Description
CNT_RST	1	rw	0x0	Reset clock throttle counter when in halt state: 0: No effect 1: Causes counter to be reset once HALT state is entered
CPU_START	0	rw	0x0	Start or restart count on detection of 0 to 1 transition in the value of this bit. A read will return the written value. (Reminder that bits 2&3 must be programmed according to description.) 0: No effect 1: Start count or restart count if previous value was 0

### Register ([slcr](#)) FPGA1\_THR\_CNT

Name	FPGA1_THR_CNT
Relative Address	0x00000188
Absolute Address	0xF8000188
Width	32 bits
Access Type	rw
Reset Value	0x00000000
Description	PL Clock 1 Throttle Count

#### Register FPGA1\_THR\_CNT Details

Field Name	Bits	Type	Reset Value	Description
reserved	31:20	rw	0x0	Reserved. Writes are ignored, read data is zero.
reserved	19:16	rw	0x0	Reserved. Do not modify.
LAST_CNT	15:0	rw	0x0	Last count value. Specifies the total number of clocks output in debug mode by the clock throttle logic.

### Register ([slcr](#)) FPGA1\_THR\_STA

Name	FPGA1_THR_STA
Relative Address	0x0000018C
Absolute Address	0xF800018C
Width	32 bits
Access Type	ro
Reset Value	0x00010000

Description PL Clock 1 Throttle Status control

Register FPGA1\_THR\_STA Details

Field Name	Bits	Type	Reset Value	Description
reserved	31:17	ro	0x0	Reserved. Writes are ignored, read data is zero.
RUNNING	16	ro	0x1	Current running status of FPGA clock output: 0: Clock is stopped or in normal mode (OK to change configuration). 1: Clock is running in debug mode (Keep configuration static).
CURR_VAL	15:0	ro	0x0	Current clock throttle counter value, which indicates the number of clock pulses output so far (only accurate when halted).

Register ([slcr](#)) FPGA2\_CLK\_CTRL

Name FPGA2\_CLK\_CTRL  
 Relative Address 0x00000190  
 Absolute Address 0xF8000190  
 Width 32 bits  
 Access Type rw  
 Reset Value 0x00101800  
 Description PL Clock 2 output control

Register FPGA2\_CLK\_CTRL Details

Field Name	Bits	Type	Reset Value	Description
reserved	31:26	rw	0x0	Reserved. Writes are ignored, read data is zero.
DIVISOR1	25:20	rw	0x1	Provides the divisor used to divide the source clock to generate the required generated clock frequency. Second cascade divide
reserved	19:14	rw	0x0	Reserved. Writes are ignored, read data is zero.
DIVISOR0	13:8	rw	0x18	Provides the divisor used to divide the source clock to generate the required generated clock frequency. First cascade divider.
reserved	7:6	rw	0x0	Reserved. Writes are ignored, read data is zero.
SRCSEL	5:4	rw	0x0	Select the source used to generate the clock: 0x: Source for generated clock is IO PLL. 10: Source for generated clock is ARM PLL. 11: Source for generated clock is DDR PLL.
reserved	3:0	rw	0x0	Reserved. Writes are ignored, read data is zero.

### Register ([slcr](#)) FPGA2\_THR\_CTRL

Name FPGA2\_THR\_CTRL  
 Relative Address 0x00000194  
 Absolute Address 0xF8000194  
 Width 32 bits  
 Access Type rw  
 Reset Value 0x00000000  
 Description PL Clock 2 Throttle Control

#### Register FPGA2\_THR\_CTRL Details

Field Name	Bits	Type	Reset Value	Description
reserved	31:4	rw	0x0	Reserved. Writes are ignored, read data is zero.
reserved	3	rw	0x0	Must be set to 1'b0 to use this feature
reserved	2	rw	0x0	Must be set to 1'b1 to use this feature
CNT_RST	1	rw	0x0	Reset clock throttle counter when in halt state: 0: No effect 1: Causes counter to be reset once HALT state is entered
CPU_START	0	rw	0x0	Start or restart count on detection of 0 to 1 transition in the value of this bit. A read will return the written value. (Reminder that bits 2&3 must be programmed according to description.) 0: No effect 1: Start count or restart count if previous value was 0

### Register ([slcr](#)) FPGA2\_THR\_CNT

Name FPGA2\_THR\_CNT  
 Relative Address 0x00000198  
 Absolute Address 0xF8000198  
 Width 32 bits  
 Access Type rw  
 Reset Value 0x00000000  
 Description PL Clock 2 Throttle Count

Register FPGA2\_THR\_CNT Details

Field Name	Bits	Type	Reset Value	Description
reserved	31:20	rw	0x0	Reserved. Writes are ignored, read data is zero.
reserved	19:16	rw	0x0	Reserved. Do not modify.
LAST_CNT	15:0	rw	0x0	Last count value. Specifies the total number of clocks output in debug mode by the clock throttle logic.

Register ([slcr](#)) FPGA2\_THR\_STA

Name	FPGA2_THR_STA
Relative Address	0x0000019C
Absolute Address	0xF800019C
Width	32 bits
Access Type	ro
Reset Value	0x00010000
Description	PL Clock 2 Throttle Status

Register FPGA2\_THR\_STA Details

Field Name	Bits	Type	Reset Value	Description
reserved	31:17	ro	0x0	Reserved. Writes are ignored, read data is zero.
RUNNING	16	ro	0x1	Current running status of FPGA clock output: 0: Clock is stopped or in normal mode (OK to change configuration). 1: Clock is running in debug mode (Keep configuration static).
CURR_VAL	15:0	ro	0x0	Current clock throttle counter value, which indicates the number of clock pulses output so far (only accurate when halted).

Register ([slcr](#)) FPGA3\_CLK\_CTRL

Name	FPGA3_CLK_CTRL
Relative Address	0x000001A0
Absolute Address	0xF80001A0
Width	32 bits
Access Type	rw
Reset Value	0x00101800

Description PL Clock 3 output control

Register FPGA3\_CLK\_CTRL Details

Field Name	Bits	Type	Reset Value	Description
reserved	31:26	rw	0x0	Reserved. Writes are ignored, read data is zero.
DIVISOR1	25:20	rw	0x1	Provides the divisor used to divide the source clock to generate the required generated clock frequency. Second cascade divide
reserved	19:14	rw	0x0	Reserved. Writes are ignored, read data is zero.
DIVISOR0	13:8	rw	0x18	Provides the divisor used to divide the source clock to generate the required generated clock frequency. First cascade divider.
reserved	7:6	rw	0x0	Reserved. Writes are ignored, read data is zero.
SRCSEL	5:4	rw	0x0	Select the source used to generate the clock: 0x: Source for generated clock is IO PLL. 10: Source for generated clock is ARM PLL. 11: Source for generated clock is DDR PLL.
reserved	3:0	rw	0x0	Reserved. Writes are ignored, read data is zero.

Register ([slcr](#)) FPGA3\_THR\_CTRL

Name FPGA3\_THR\_CTRL  
 Relative Address 0x000001A4  
 Absolute Address 0xF80001A4  
 Width 32 bits  
 Access Type rw  
 Reset Value 0x00000000  
 Description PL Clock 3 Throttle Control

Register FPGA3\_THR\_CTRL Details

Field Name	Bits	Type	Reset Value	Description
reserved	31:4	rw	0x0	Reserved. Writes are ignored, read data is zero.
reserved	3	rw	0x0	Must be set to 1'b0 to use this feature
reserved	2	rw	0x0	Must be set to 1'b1 to use this feature

Field Name	Bits	Type	Reset Value	Description
CNT_RST	1	rw	0x0	Reset clock throttle counter when in halt state: 0: No effect 1: Causes counter to be reset once HALT state is entered
CPU_START	0	rw	0x0	Start or restart count on detection of 0 to 1 transition in the value of this bit. A read will return the written value. (Reminder that bits 2&3 must be programmed according to description.) 0: No effect 1: Start count or restart count if previous value was 0

### Register ([slcr](#)) FPGA3\_THR\_CNT

Name	FPGA3_THR_CNT
Relative Address	0x000001A8
Absolute Address	0xF80001A8
Width	32 bits
Access Type	rw
Reset Value	0x00000000
Description	PL Clock 3 Throttle Count

#### Register FPGA3\_THR\_CNT Details

Field Name	Bits	Type	Reset Value	Description
reserved	31:20	rw	0x0	Reserved. Writes are ignored, read data is zero.
reserved	19:16	rw	0x0	Reserved. Do not modify.
LAST_CNT	15:0	rw	0x0	Last count value. Specifies the total number of clocks output in debug mode by the clock throttle logic.

### Register ([slcr](#)) FPGA3\_THR\_STA

Name	FPGA3_THR_STA
Relative Address	0x000001AC
Absolute Address	0xF80001AC
Width	32 bits
Access Type	ro
Reset Value	0x00010000

Description PL Clock 3 Throttle Status

Register FPGA3\_THR\_STA Details

Field Name	Bits	Type	Reset Value	Description
reserved	31:17	ro	0x0	Reserved. Writes are ignored, read data is zero.
RUNNING	16	ro	0x1	Current running status of FPGA clock output: 0: Clock is stopped or in normal mode (OK to change configuration). 1: Clock is running in debug mode (Keep configuration static).
CURR_VAL	15:0	ro	0x0	Current clock throttle counter value, which indicates the number of clock pulses output so far (only accurate when halted).

Register ([slcr](#)) CLK\_621\_TRUE

Name CLK\_621\_TRUE  
 Relative Address 0x000001C4  
 Absolute Address 0xF80001C4  
 Width 32 bits  
 Access Type rw  
 Reset Value 0x00000001  
 Description CPU Clock Ratio Mode select

Register CLK\_621\_TRUE Details

Field Name	Bits	Type	Reset Value	Description
reserved	31:1	rw	0x0	Reserved. Writes are ignored, read data is zero.
CLK_621_TRUE	0	rw	0x1	Select the CPU clock ratio: (When this register changes, no access are allowed to OCM.) 0: 4:2:1 1: 6:2:1

Register ([slcr](#)) PSS\_RST\_CTRL

Name PSS\_RST\_CTRL  
 Relative Address 0x00000200  
 Absolute Address 0xF8000200  
 Width 32 bits

Access Type                rw  
 Reset Value                0x00000000  
 Description                PS Software Reset Control

Register PSS\_RST\_CTRL Details

Field Name	Bits	Type	Reset Value	Description
reserved	31:1	rw	0x0	Reserved. Writes are ignored, read data is zero.
SOFT_RST	0	rw	0x0	Processing System software reset control signal. 0: no affect 1: asserts PS software reset pulse (entire system except clock generator) There is no need to write a 0, the hardware generates a pulse everytime a 1 is written.

Register ([slcr](#)) DDR\_RST\_CTRL

Name                        DDR\_RST\_CTRL  
 Relative Address            0x00000204  
 Absolute Address            0xF8000204  
 Width                        32 bits  
 Access Type                rw  
 Reset Value                0x00000000  
 Description                DDR Software Reset Control

Register DDR\_RST\_CTRL Details

Field Name	Bits	Type	Reset Value	Description
reserved	31:1	rw	0x0	Reserved. Writes are ignored, read data is zero.
DDR_RST	0	rw	0x0	DDR software reset control signal 0: disable, 1: enable

Register ([slcr](#)) TOPSW\_RST\_CTRL

Name                        TOPSW\_RST\_CTRL  
 Relative Address            0x00000208  
 Absolute Address            0xF8000208  
 Width                        32 bits  
 Access Type                rw  
 Reset Value                0x00000000



Description Central Interconnect Reset Control

Register TOPSW\_RST\_CTRL Details

Field Name	Bits	Type	Reset Value	Description
reserved	31:1	rw	0x0	Reserved. Writes are ignored, read data is zero.
TOPSW_RST	0	rw	0x0	Central Interconnect Reset Control: 0: de-assert (no reset) 1: assert Care must be taken to ensure that the AXI interconnect does not have outstanding transactions and the bus is idle.

Register ([slcr](#)) DMAC\_RST\_CTRL

Name DMAC\_RST\_CTRL  
 Relative Address 0x0000020C  
 Absolute Address 0xF800020C  
 Width 32 bits  
 Access Type rw  
 Reset Value 0x00000000  
 Description DMAC Software Reset Control

Register DMAC\_RST\_CTRL Details

Field Name	Bits	Type	Reset Value	Description
reserved	31:1	rw	0x0	Reserved. Writes are ignored, read data is zero.
DMAC_RST	0	rw	0x0	DMA Controller software reset signal. 0: de-assert (DMA controller TrustZone register is read only) 1: assert (DMA controller TrustZone register is writeable)

Register ([slcr](#)) USB\_RST\_CTRL

Name USB\_RST\_CTRL  
 Relative Address 0x00000210  
 Absolute Address 0xF8000210  
 Width 32 bits  
 Access Type rw  
 Reset Value 0x00000000

Description USB Software Reset Control

Register USB\_RST\_CTRL Details

Field Name	Bits	Type	Reset Value	Description
reserved	31:2	rw	0x0	Reserved. Writes are ignored, read data is zero.
USB1_CPU1X_RST	1	rw	0x0	USB 1 master and slave AMBA interfaces software reset: 0: de-assert (no reset) 1: assert (held in reset)
USB0_CPU1X_RST	0	rw	0x0	USB 0 master and slave AMBA interfaces software reset: 0: de-assert (no reset) 1: assert (held in reset)

Register ([slcr](#)) GEM\_RST\_CTRL

Name GEM\_RST\_CTRL  
 Relative Address 0x00000214  
 Absolute Address 0xF8000214  
 Width 32 bits  
 Access Type rw  
 Reset Value 0x00000000  
 Description Gigabit Ethernet SW Reset Control

Register GEM\_RST\_CTRL Details

Each Gigabit Ethernet controller has 3 clock domains and each clock domain has a reset control:

- \* Reference clock domain reset
- \* RxClock domain reset
- \* CPU\_1x clock domain reset

Field Name	Bits	Type	Reset Value	Description
reserved	31:8	rw	0x0	Reserved. Writes are ignored, read data is zero.
GEM1_REF_RST	7	rw	0x0	Gigabit Ethernet 1 reference clock reset: 0: de-assert (no reset) 1: assert (interfaces are held in reset)
GEM0_REF_RST	6	rw	0x0	Gigabit Ethernet 0 reference clock domain reset: 0: de-assert (no reset) 1: assert (controller is held in reset)

Field Name	Bits	Type	Reset Value	Description
GEM1_RX_RST	5	rw	0x0	Gigabit Ethernet 1 Rx clock domain reset: 0: de-assert (no reset) 1: assert (held in reset)
GEM0_RX_RST	4	rw	0x0	Gigabit Ethernet 0 Rx clock domain reset: 0: de-assert (no reset) 1: assert (held in reset)
reserved	3:2	rw	0x0	Reserved. Writes are ignored, read data is zero.
GEM1_CPU1X_RST	1	rw	0x0	Gigabit Ethernet 1 CPU_1x clock domain reset: 0: de-assert (no reset) 1: assert (held in reset)
GEM0_CPU1X_RST	0	rw	0x0	Gigabit Ethernet 0 CPU_1x clock domain reset: 0: de-assert (no reset) 1: assert (held in reset)

### Register ([slcr](#)) SDIO\_RST\_CTRL

Name	SDIO_RST_CTRL
Relative Address	0x00000218
Absolute Address	0xF8000218
Width	32 bits
Access Type	rw
Reset Value	0x00000000
Description	SDIO Software Reset Control

#### Register SDIO\_RST\_CTRL Details

Field Name	Bits	Type	Reset Value	Description
reserved	31:6	rw	0x0	Reserved. Writes are ignored, read data is zero.
SDIO1_REF_RST	5	rw	0x0	SDIO 1 reference clock domain reset: 0: de-assert (no reset) 1: assert (controller is held in reset)
SDIO0_REF_RST	4	rw	0x0	SDIO 0 reference clock domain reset: 0: de-assert (no reset) 1: assert (controller is held in reset)
reserved	3:2	rw	0x0	Reserved. Writes are ignored, read data is zero.

Field Name	Bits	Type	Reset Value	Description
SDIO1_CPU1X_RST	1	rw	0x0	SDIO 1 master and slave AMBA interfaces reset: 0: de-assert (no reset) 1: assert (held in reset)
SDIO0_CPU1X_RST	0	rw	0x0	SDIO 0 master and slave AMBA interfaces reset: 0: de-assert (no reset) 1: assert (held in reset)

### Register ([slcr](#)) SPI\_RST\_CTRL

Name	SPI_RST_CTRL
Relative Address	0x0000021C
Absolute Address	0xF800021C
Width	32 bits
Access Type	rw
Reset Value	0x00000000
Description	SPI Software Reset Control

#### Register SPI\_RST\_CTRL Details

Field Name	Bits	Type	Reset Value	Description
reserved	31:4	rw	0x0	Reserved. Writes are ignored, read data is zero.
SPI1_REF_RST	3	rw	0x0	SPI 1 Reference software reset. On assertion of this reset, the Reference clock portion of the SPI 1 subsystem will be reset. 0: No reset 1: Reference clock portion of SPI 1 subsystem held in reset
SPI0_REF_RST	2	rw	0x0	SPI 0 Reference software reset. On assertion of this reset, the Reference clock portion of the SPI 0 subsystem will be reset. 0: No reset 1: Reference clock portion of SPI 0 subsystem held in reset

Field Name	Bits	Type	Reset Value	Description
SPI1_CPU1X_RST	1	rw	0x0	SPI 1 AMBA software reset. On assertion of this reset, the AMBA clock portion of the SPI 1 subsystem will be reset. 0: No reset 1: AMBA clock portion of SPI 1 subsystem held in reset
SPI0_CPU1X_RST	0	rw	0x0	SPI 0 AMBA software reset. On assertion of this reset, the AMBA clock portion of the SPI 0 subsystem will be reset. 0: No reset 1: AMBA clock portion of SPI 0 subsystem held in reset

### Register ([slcr](#)) CAN\_RST\_CTRL

Name	CAN_RST_CTRL
Relative Address	0x00000220
Absolute Address	0xF8000220
Width	32 bits
Access Type	rw
Reset Value	0x00000000
Description	CAN Software Reset Control

#### Register CAN\_RST\_CTRL Details

Field Name	Bits	Type	Reset Value	Description
reserved	31:4	rw	0x0	Reserved. Writes are ignored, read data is zero.
reserved	3	rw	0x0	Reserved. Writes will maintain value
reserved	2	rw	0x0	Reserved. Writes will maintain value

Field Name	Bits	Type	Reset Value	Description
CAN1_CPU1X_RST	1	rw	0x0	CAN 1 AMBA software reset. On assertion of this reset, the AMBA clock portion of the CAN 1 subsystem will be reset. 0: No reset 1: AMBA clock portion of CAN 1 subsystem held in reset
CAN0_CPU1X_RST	0	rw	0x0	CAN 0 AMBA software reset. On assertion of this reset, the AMBA clock portion of the CAN 0 subsystem will be reset. 0: No reset 1: AMBA clock portion of CAN 0 subsystem held in reset

### Register ([slcr](#)) I2C\_RST\_CTRL

Name	I2C_RST_CTRL
Relative Address	0x00000224
Absolute Address	0xF8000224
Width	32 bits
Access Type	rw
Reset Value	0x00000000
Description	I2C Software Reset Control

### Register I2C\_RST\_CTRL Details

Field Name	Bits	Type	Reset Value	Description
reserved	31:2	rw	0x0	Reserved. Writes are ignored, read data is zero.
I2C1_CPU1X_RST	1	rw	0x0	I2C 1 AMBA software reset. On assertion of this reset, the AMBA clock portion of the I2C 1 subsystem will be reset. 0: No reset 1: AMBA clock portion of I2C 1 subsystem held in reset
I2C0_CPU1X_RST	0	rw	0x0	I2C 0 AMBA software reset. On assertion of this reset, the AMBA clock portion of the I2C 0 subsystem will be reset. 0: No reset 1: AMBA clock portion of I2C 0 subsystem held in reset

### Register ([slcr](#)) UART\_RST\_CTRL

Name	UART_RST_CTRL
Relative Address	0x00000228
Absolute Address	0xF8000228
Width	32 bits
Access Type	rw
Reset Value	0x00000000
Description	UART Software Reset Control

#### Register UART\_RST\_CTRL Details

Field Name	Bits	Type	Reset Value	Description
reserved	31:4	rw	0x0	Reserved. Writes are ignored, read data is zero.
UART1_REF_RST	3	rw	0x0	UART 1 Reference software reset. 0: deassert soft reset 1: assert soft reset
UART0_REF_RST	2	rw	0x0	UART 0 Reference software reset. 0: deassert soft reset 1: assert soft reset
UART1_CPU1X_RST	1	rw	0x0	UART 1 AMBA software reset. On assertion of this reset, the AMBA clock portion of the UART 1 subsystem will be reset. 0: No reset 1: AMBA clock portion of UART 1 subsystem held in reset
UART0_CPU1X_RST	0	rw	0x0	UART 0 AMBA software reset. On assertion of this reset, the AMBA clock portion of the UART 0 subsystem will be reset. 0: No reset 1: AMBA clock portion of UART 0 subsystem held in reset

### Register ([slcr](#)) GPIO\_RST\_CTRL

Name	GPIO_RST_CTRL
Relative Address	0x0000022C
Absolute Address	0xF800022C
Width	32 bits
Access Type	rw
Reset Value	0x00000000

Description GPIO Software Reset Control

Register GPIO\_RST\_CTRL Details

Field Name	Bits	Type	Reset Value	Description
reserved	31:1	rw	0x0	Reserved. Writes are ignored, read data is zero.
GPIO_CPU1X_RST	0	rw	0x0	GPIO AMBA software reset. On assertion of this reset, the AMBA clock portion of the GPIO subsystem will be reset. 0: No reset 1: AMBA clock portion of GPIO subsystem held in reset

Register ([slcr](#)) LQSPI\_RST\_CTRL

Name LQSPI\_RST\_CTRL  
 Relative Address 0x00000230  
 Absolute Address 0xF8000230  
 Width 32 bits  
 Access Type rw  
 Reset Value 0x00000000  
 Description Quad SPI Software Reset Control

Register LQSPI\_RST\_CTRL Details

Field Name	Bits	Type	Reset Value	Description
reserved	31:2	rw	0x0	Reserved. Writes are ignored, read data is zero.
QSPI_REF_RST	1	rw	0x0	Quad SPI Reference software reset. On assertion of this reset, the Reference clock portion of the QSPI subsystem will be reset. 0: No reset. 1: Reference clock portion of QSPI subsystem held in reset.
LQSPI_CPU1X_RST	0	rw	0x0	Quad SPI AMBA software reset. On assertion of this reset, the AMBA clock portion of the LQSPI subsystem will be reset. 0: No reset 1: AMBA clock portion of QSPI subsystem held in reset

Register ([slcr](#)) SMC\_RST\_CTRL

Name SMC\_RST\_CTRL



Relative Address 0x00000234  
 Absolute Address 0xF8000234  
 Width 32 bits  
 Access Type rw  
 Reset Value 0x00000000  
 Description SMC Software Reset Control

Register SMC\_RST\_CTRL Details

Field Name	Bits	Type	Reset Value	Description
reserved	31:2	rw	0x0	Reserved. Writes are ignored, read data is zero.
SMC_REF_RST	1	rw	0x0	SMC Reference software reset. On assertion of this reset, the Reference clock portion of the SMC subsystem will be reset. 0: No reset 1: Reference clock portion of SMC subsystem held in reset
SMC_CPU1X_RST	0	rw	0x0	SMC AMBA software reset. On assertion of this reset, the AMBA clock portion of the SMC subsystem will be reset. 0: No reset 1: AMBA clock portion of SMC subsystem held in reset

Register ([slcr](#)) OCM\_RST\_CTRL

Name OCM\_RST\_CTRL  
 Relative Address 0x00000238  
 Absolute Address 0xF8000238  
 Width 32 bits  
 Access Type rw  
 Reset Value 0x00000000  
 Description OCM Software Reset Control

Register OCM\_RST\_CTRL Details

Field Name	Bits	Type	Reset Value	Description
reserved	31:1	rw	0x0	Reserved. Writes are ignored, read data is zero.
OCM_RST	0	rw	0x0	OCM software reset. On assertion of this reset, the OCM subsystem will be reset. 0: No reset 1: OCM subsystem held in reset

Register ([slcr](#)) FPGA\_RST\_CTRL

Name	FPGA_RST_CTRL
Relative Address	0x00000240
Absolute Address	0xF8000240
Width	32 bits
Access Type	rw
Reset Value	0x01F33F0F
Description	FPGA Software Reset Control

Register FPGA\_RST\_CTRL Details

Field Name	Bits	Type	Reset Value	Description
reserved	31:25	rw	0x0	Reserved. Writes are ignored, read data is zero.
reserved	24	rw	0x1	Reserved - always write with 0
reserved	23	rw	0x1	Reserved - always write with 0
reserved	22	rw	0x1	Reserved - always write with 0
reserved	21	rw	0x1	Reserved - always write with 0
reserved	20	rw	0x1	Reserved - always write with 0
reserved	19:18	rw	0x0	Reserved. Writes are ignored, read data is zero.
reserved	17	rw	0x1	Reserved - always write with 0
reserved	16	rw	0x1	Reserved - always write with 0
reserved	15:14	rw	0x0	Reserved. Writes are ignored, read data is zero.
reserved	13	rw	0x1	Reserved - always write with 0
reserved	12	rw	0x1	Reserved - always write with 0
reserved	11	rw	0x1	Reserved - always write with 0
reserved	10	rw	0x1	Reserved - always write with 0
reserved	9	rw	0x1	Reserved - always write with 0
reserved	8	rw	0x1	Reserved - always write with 0

Field Name	Bits	Type	Reset Value	Description
reserved	7:4	rw	0x0	Reserved. Writes are ignored, read data is zero.
FPGA3_OUT_RST	3	rw	0x1	PL Reset 3 (FCLKRESETN3 output signal). Refer to the PS7 wrapper in EDK for possible signal inversion. Logic level on the FCLKRESETN3 signal: 0: De-assert reset (High logic level). 1: Assert Reset (Low logic state)
FPGA2_OUT_RST	2	rw	0x1	PL Reset 2 (FCLKRESETN2 output signal). Refer to the PS7 wrapper in EDK for possible signal inversion. Logic level on the FCLKRESETN2 signal: 0: De-assert reset (High logic level). 1: Assert Reset (Low logic state)
FPGA1_OUT_RST	1	rw	0x1	PL Reset 1 (FCLKRESETN1 output signal). Refer to the PS7 wrapper in EDK for possible signal inversion. Logic level on the FCLKRESETN1 signal: 0: De-assert reset (High logic level). 1: Assert Reset (Low logic state)
FPGA0_OUT_RST	0	rw	0x1	PL Reset 0 (FCLKRESETN0 output signal). Refer to the PS7 wrapper in EDK for possible signal inversion. Logic level on the FCLKRESETN0 signal: 0: De-assert reset (High logic level). 1: Assert Reset (Low logic state)

### Register ([slcr](#)) A9\_CPU\_RST\_CTRL

Name	A9_CPU_RST_CTRL
Relative Address	0x00000244
Absolute Address	0xF8000244
Width	32 bits
Access Type	rw
Reset Value	0x00000000
Description	CPU Reset and Clock control

Register A9\_CPU\_RST\_CTRL Details

Field Name	Bits	Type	Reset Value	Description
reserved	31:9	rw	0x0	Reserved. Writes are ignored, read data is zero.
PERI_RST	8	rw	0x0	CPU peripheral soft reset. 0: de-assert (no reset) 1: assert (held in reset)
reserved	7:6	rw	0x0	Reserved. Writes are ignored, read data is zero.
A9_CLKSTOP1	5	rw	0x0	CPU 1 clock stop control: 0: no stop (CPU runs) 1: clock stopped
A9_CLKSTOP0	4	rw	0x0	CPU 0 clock stop control: 0: no stop (CPU runs) 1: clock stopped
reserved	3:2	rw	0x0	Reserved. Writes are ignored, read data is zero.
A9_RST1	1	rw	0x0	CPU 1 software reset control: 0: de-assert (no reset) 1: assert (held in reset)
A9_RST0	0	rw	0x0	CPU 0 software reset control: 0: de-assert (no reset) 1: assert (held in reset)

Register ([slcr](#)) RS\_AWDT\_CTRL

Name	RS_AWDT_CTRL
Relative Address	0x0000024C
Absolute Address	0xF800024C
Width	32 bits
Access Type	rw
Reset Value	0x00000000
Description	Watchdog Timer Reset Control

Register RS\_AWDT\_CTRL Details

Field Name	Bits	Type	Reset Value	Description
reserved	31:2	rw	0x0	Reserved. Writes are ignored, read data is zero.

Field Name	Bits	Type	Reset Value	Description
CTRL1	1	rw	0x0	Select the target for the APU watchdog timer 1 reset signal. Route the WDT reset to: 0: the same system level as PS_SRST_B 1: the CPU associated with the watchdog timer
CTRL0	0	rw	0x0	Select the target for the APU watchdog timer 0 reset signal. Route the WDT reset to: 0: the same system level as PS_SRST_B 1: the CPU associated with the watchdog timer

### Register ([slcr](#)) REBOOT\_STATUS

Name	REBOOT_STATUS
Relative Address	0x00000258
Absolute Address	0xF8000258
Width	32 bits
Access Type	rw
Reset Value	0x00400000
Description	Reboot Status, persistent

#### Register REBOOT\_STATUS Details

The Reboot Status persistent through all resets except Power-on reset.

Field Name	Bits	Type	Reset Value	Description
REBOOT_STATE	31:24	rw	0x0	General 32-bit R/W field to allow software to store information that persists through all resets except power-on reset. This field is reset by POR only. The ROM will put the last known reset reason into this register.
reserved	23	rw	0x0	Reserved.
POR	22	rw	0x1	Last reset was due to POR (power on reset), if set. This field is written by ROM code.
SRST_B	21	rw	0x0	Last reset was due to SRST_B (soft reset), if set. This field is written by ROM code.
DBG_RST	20	rw	0x0	Last reset was due to debug system reset, if set. This field is written by ROM code.
SLC_RST	19	rw	0x0	Last reset was due to SLC soft reset, if set. This field is written by ROM code.
AWDT1_RST	18	rw	0x0	Last reset was due to APU watchdog timer 1, if set. This field is written by ROM code.

Field Name	Bits	Type	Reset Value	Description
AWDT0_RST	17	rw	0x0	Last reset was due to APU watchdog timer 0, if set. This field is written by ROM code
SWDT_RST	16	rw	0x0	Last reset was due to system watchdog timeout, if set (see watchdog status for more details). This field is written by ROM code
BOOTROM_ERROR_CODE	15:0	rw	0x0	This field is written by the BootROM to describe errors that occur during the boot process. Refer to the BootROM debug status section in the Zynq-7000 Technical Reference Manual, UG585.

### Register ([slcr](#)) BOOT\_MODE

Name	BOOT_MODE
Relative Address	0x0000025C
Absolute Address	0xF800025C
Width	32 bits
Access Type	mixed
Reset Value	x
Description	Boot Mode Strapping Pins

#### Register BOOT\_MODE Details

Boot mode strapping pins are sampled when Power-on Reset deasserts. The logic levels are stored in this register. The explanation of these boot mode pin settings are explained in the boot mode section of the Zynq Technical Reference Manual.

Field Name	Bits	Type	Reset Value	Description
reserved	31:5	rw	0x0	Reserved. Writes are ignored, read data is zero.
PLL_BYPASS	4	ro	0x0	Boot mode pins are sampled when Power-on Reset deasserts. The logic levels are stored in this register. The PLL_BYPASS pin sets the initial operating mode of all three PLL clocks (ARM, IO and DDR): 0: PLLs are enabled and their outputs are routed to the clock generators 1: PLLs are disabled and bypassed
BOOT_MODE	3:0	ro	x	Boot mode pins are sampled when Power-on Reset deasserts. The logic levels are stored in this register. The interpretation of these boot mode values are explained in the boot mode section of the Zynq Technical Reference Manual.

### Register ([slcr](#)) APU\_CTRL

Name APU\_CTRL  
 Relative Address 0x00000300  
 Absolute Address 0xF8000300  
 Width 32 bits  
 Access Type rw  
 Reset Value 0x00000000  
 Description APU Control

#### Register APU\_CTRL Details

Field Name	Bits	Type	Reset Value	Description
reserved	31:3	rw	0x0	Reserved. Writes are ignored, read data is zero.
CFGSDISABLE	2	rw	0x0	Disable write access to some system control processor registers, and some GIC registers. Set only. Once set, individual core reset cannot reset this value. This field is reset by POR only.
CP15SDISABLE	1:0	rw	0x0	Disable write access to some system control processor (CP15) registers, in each processor. Set only. Once set, individual core reset cannot reset this value. This field is reset by POR only.

### Register ([slcr](#)) WDT\_CLK\_SEL

Name WDT\_CLK\_SEL  
 Relative Address 0x00000304  
 Absolute Address 0xF8000304  
 Width 32 bits  
 Access Type rw  
 Reset Value 0x00000000  
 Description SWDT clock source select

Register WDT\_CLK\_SEL Details

Field Name	Bits	Type	Reset Value	Description
reserved	31:1	rw	0x0	Reserved. Writes are ignored, read data is zero.
SEL	0	rw	0x0	System watchdog timer clock source selection: 0: internal clock CPU_1x 1: external clock from PL via EMIO, or from pinout via MIO

Register ([slcr](#)) TZ\_DMA\_NS

Name	TZ_DMA_NS
Relative Address	0x00000440
Absolute Address	0xF8000440
Width	32 bits
Access Type	rw
Reset Value	0x00000000
Description	DMAC TrustZone Config

Register TZ\_DMA\_NS Details

Field Name	Bits	Type	Reset Value	Description
reserved	31:1	rw	0x0	Should Be Zero
DMAC_NS	0	rw	0x0	TZ security (connected to boot_manager_ns on DMAC): 0: secure, DMAC operates in the secure state. 1: non-secure, DMAC operates in the non-secure state.

Register ([slcr](#)) TZ\_DMA\_IRQ\_NS

Name	TZ_DMA_IRQ_NS
Relative Address	0x00000444
Absolute Address	0xF8000444
Width	32 bits
Access Type	rw
Reset Value	0x00000000
Description	DMAC TrustZone Config for Interrupts



Register TZ\_DMA\_IRQ\_NS Details

Field Name	Bits	Type	Reset Value	Description
reserved	31:16	rw	0x0	Should Be Zero
DMA_IRQ_NS	15:0	rw	0x0	TZ security (connected to boot_irq_ns on DMAC): 0: secure, DMAC operates in the secure state. 1: non-secure, DMAC interrupt/event bit is in the non-secure state.

Register ([slcr](#)) TZ\_DMA\_PERIPH\_NS

Name	TZ_DMA_PERIPH_NS
Relative Address	0x00000448
Absolute Address	0xF8000448
Width	32 bits
Access Type	rw
Reset Value	0x00000000
Description	DMAC TrustZone Config for Peripherals

Register TZ\_DMA\_PERIPH\_NS Details

Field Name	Bits	Type	Reset Value	Description
reserved	31:4	rw	0x0	Should Be Zero
DMAC_PERIPH_NS	3:0	rw	0x0	TZ security (connected to boot_periph_ns on DMAC): 0: secure, DMAC operates in the secure state. 1: non-secure, reset value: DMAC peripheral i/f is in the non-secure state.

Register ([slcr](#)) PSS\_IDCODE

Name	PSS_IDCODE
Relative Address	0x00000530
Absolute Address	0xF8000530
Width	32 bits
Access Type	ro
Reset Value	x
Description	PS IDCODE

Register PSS\_IDCODE Details

Field Name	Bits	Type	Reset Value	Description
REVISION	31:28	ro	x	Revision code
FAMILY	27:21	ro	0x1B	Family code
SUBFAMILY	20:17	ro	0x9	Subfamily code
DEVICE	16:12	ro	x	Device code 7z010: 0x02 7z015: 0x1b 7z020: 0x07 7z030: 0x0c 7z045: 0x11
MANUFACTURER_ID	11:1	ro	0x49	Manufacturer ID
reserved	0	ro	0x1	Reserved. Writes are ignored, read data is one.

Register ([slcr](#)) DDR\_URGENT

Name	DDR_URGENT
Relative Address	0x00000600
Absolute Address	0xF8000600
Width	32 bits
Access Type	rw
Reset Value	0x00000000
Description	DDR Urgent Control

Register DDR\_URGENT Details

Field Name	Bits	Type	Reset Value	Description
reserved	31:8	rw	0x0	Reserved
S3_ARURGENT	7	rw	0x0	Set Read port 3 prioritization.
S2_ARURGENT	6	rw	0x0	Set Read port 3 prioritization.
S1_ARURGENT	5	rw	0x0	Set Read port 2 prioritization.
S0_ARURGENT	4	rw	0x0	Set Read port 0 prioritization.
S3_AWURGENT	3	rw	0x0	Set Write port 3 prioritization.
S2_AWURGENT	2	rw	0x0	Set Write port 2 prioritization.
S1_AWURGENT	1	rw	0x0	Set Write port 1 prioritization.
S0_AWURGENT	0	rw	0x0	Set Write port 0 prioritization.

Register ([slcr](#)) DDR\_CAL\_START

Name	DDR_CAL_START
Relative Address	0x0000060C
Absolute Address	0xF800060C
Width	32 bits
Access Type	mixed
Reset Value	0x00000000
Description	DDR Calibration Start Triggers

## Register DDR\_CAL\_START Details

Field Name	Bits	Type	Reset Value	Description
reserved	31:2	rw	0x0	Reserved. Writes are ignored, read data is zero.
START_CAL_DLL	1	wo	0x0	<p>This register creates a pulse that is first synchronised into the ddr_clk domain and then directly drives the co_gs_dll_calib input into the DDR controller. This signal is a command that indicates to the controller to issue a dll_calib to the DRAM. This signal should pulse for 1 ddr_core_clk clock cycle to request a dll_calib to be issued. This is only required if the DDR controller register reg_ddrc_dis_dll_calib is 1. If reg_ddrc_dis_dll_calib is 0, the controller will automatically issue DLL Calibs.</p> <p>0: Do nothing. 1: Start DLL calibration command. A read of this register returns zero.</p>
START_CAL_SHORT	0	wo	0x0	<p>This register creates a pulse that is first synchronized into the ddr_clk domain and then directly drives the co_gs_zq_calib_short input into the DDR controller. This is required to pulse for 1 clock to issue ZQ Calibration Short Command to the DDR. There should be a minimum of 512 clks gap between 2 ZQ Calib Short commands from the core. If DDR controller register reg_ddrc_dis_auto_zq=0, asserting co_gs_zq_calib_short is not required, as this will be done automatically. If reg_ddrc_dis_auto_zq=1, then the core logic is required to assert co_gs_zq_calib_short periodically to update DDR3 ZQ calibration.</p> <p>0: Do nothing. 1: Start ZQ calibration short command. A read of this register returns zero.</p>

### Register ([slcr](#)) DDR\_REF\_START

Name	DDR_REF_START
Relative Address	0x00000614
Absolute Address	0xF8000614
Width	32 bits
Access Type	mixed
Reset Value	0x00000000
Description	DDR Refresh Start Triggers

#### Register DDR\_REF\_START Details

Field Name	Bits	Type	Reset Value	Description
reserved	31:1	rw	0x0	Reserved. Writes are ignored, read data is zero.
START_REF	0	wo	0x0	<p>This register creates a pulse that is first synchronized into the ddr_clk domain and then directly drives the co_gs_rank_refresh input into the DDR controller. This register must be used with the Virage DRAM controller register bit reg_ddrc_dis_auto_refresh.</p> <p>This signal is a command that indicates to the controller to issue a refresh to the DRAM. One bit per rank. This signal should pulse for 1 ddrc_core_clk clock cycle to request a refresh to be issued.</p> <p>0: Do nothing. 1: Start refresh.</p> <p>A read of this register returns zero.</p>

### Register ([slcr](#)) DDR\_CMD\_STA

Name	DDR_CMD_STA
Relative Address	0x00000618
Absolute Address	0xF8000618
Width	32 bits
Access Type	mixed
Reset Value	0x00000000
Description	DDR Command Store Status

Register DDR\_CMD\_STA Details

Field Name	Bits	Type	Reset Value	Description
reserved	31:1	rw	0x0	Reserved. Writes are ignored, read data is zero.
CMD_Q_NEMPTY	0	ro	0x0	DDR controller command store fill status. 0: indicates DDRC command store is empty. 1: indicates there are commands pending in DDRC command store.  This register is a continuous monitor of the ddr_co_q_not_empty output from the DDR controller, which is first synchronised from ddr_clk into amba1x_clk.

Register ([slcr](#)) DDR\_URGENT\_SEL

Name	DDR_URGENT_SEL
Relative Address	0x0000061C
Absolute Address	0xF800061C
Width	32 bits
Access Type	rw
Reset Value	0x00000000
Description	DDR Urgent Select

Register DDR\_URGENT\_SEL Details

Field Name	Bits	Type	Reset Value	Description
reserved	31:16	rw	0x0	Reserved. Writes are ignored, read data is zero.
S3_ARQOS_MODE	15:14	rw	0x0	Selects between the AXI port s3_awqos[3], fabric signal or static register to drive the DDRC urgent bit.  00: DDRC s3_awurgent bit is driven from the 'S3_AWURGENT' field of the DDR_URGENT_VAL register. 01: DDRC s3_awurgent bit is driven from the s3_awqos bit. 10: DDRC s3_awurgent bit is driven from the fabric ddr_arb[3] input. 11: undefined

Field Name	Bits	Type	Reset Value	Description
S2_ARQOS_MODE	13:12	rw	0x0	<p>Selects between the AXI port s2_arqos[3], fabric signal or static register to drive the DDRC urgent bit.</p> <p>00: DDRC s2_arurgent bit is driven from the 'S2_ARURGENT' field of the DDR_URGENT_VAL register.</p> <p>01: DDRC s2_arurgent bit is driven from the s2_arqos bit.</p> <p>10: DDRC s2_arurgent bit is driven from the fabric ddr_arb[2] input.</p> <p>11: undefined</p>
S1_ARQOS_MODE	11:10	rw	0x0	<p>Selects between the AXI port s1_arqos[3], fabric signal or static register to drive the DDRC urgent bit.</p> <p>00: DDRC s1_arurgent bit is driven from the 'S1_ARURGENT' field of the DDR_URGENT_VAL register.</p> <p>01: DDRC s1_arurgent bit is driven from the s1_arqos bit.</p> <p>10: DDRC s1_arurgent bit is driven from the fabric ddr_arb[1] input.</p> <p>11: undefined.</p>
S0_ARQOS_MODE	9:8	rw	0x0	<p>Selects between the fabric signal or static register to drive the DDRC urgent bit.</p> <p>00: DDRC s0_arurgent bit is driven from the 'S0_ARURGENT' field of the DDR_URGENT_VAL register.</p> <p>x1: undefined</p> <p>10: DDRC s0_arurgent bit is driven from the fabric ddr_arb[0] input.</p> <p>11: undefined</p>
S3_AWQOS_MODE	7:6	rw	0x0	<p>Selects between the AXI port s3_awqos[3], fabric signal or static register to drive the DDRC urgent bit.</p> <p>00: DDRC s3_awurgent bit is driven from the 'S3_AWURGENT' field of the DDR_URGENT_VAL register.</p> <p>01: DDRC s3_awurgent bit is driven from the s3_awqos bit.</p> <p>10: DDRC s3_awurgent bit is driven from the fabric ddr_arb[3] input.</p> <p>11: undefined</p>

Field Name	Bits	Type	Reset Value	Description
S2_AWQOS_MODE	5:4	rw	0x0	Selects between the AXI port s2_awqos[3], fabric signal or static register to drive the DDRC urgent bit. 00: DDRC s2_awurgent bit is driven from the 'S2_AWURGENT' field of the DDR_URGENT_VAL register. 01: DDRC s2_awurgent bit is driven from the s2_awqos bit. 10: DDRC s2_awurgent bit is driven from the fabric ddr_arb[2] input. 11: undefined
S1_AWQOS_MODE	3:2	rw	0x0	Selects between the AXI port s1_awqos[3], fabric signal or static register to drive the DDRC urgent bit. 00: DDRC s1_awurgent bit is driven from the 'S1_AWURGENT' field of the DDR_URGENT_VAL register. 01: DDRC s1_awurgent bit is driven from the s1_awqos bit. 10: DDRC s1_awurgent bit is driven from the fabric ddr_arb[1] input. 11: undefined
S0_AWQOS_MODE	1:0	rw	0x0	Selects between the fabric signal or static register to drive the DDRC urgent bit. 00: The DDRC s0_awurgent bit is driven from the 'S0_AWURGENT' field of the DDR_URGENT_VAL register. x1: undefined 10: The DDRC s0_awurgent bit is driven from the fabric ddr_arb[0] input. 11: undefined

### Register ([slcr](#)) DDR\_DFI\_STATUS

Name	DDR_DFI_STATUS
Relative Address	0x00000620
Absolute Address	0xF8000620
Width	32 bits
Access Type	mixed
Reset Value	0x00000000
Description	DDR DFI status

Register DDR\_DFI\_STATUS Details

Field Name	Bits	Type	Reset Value	Description
reserved	31:1	rw	0x0	Reserved. Writes are ignored, read data is zero.
DFI_CAL_ST	0	ro	0x0	This signal is intended to allow a calibration of the IOB's at a time when the DDR controller is in its calibration mode, i.e. during an idle period.

Register ([slcr](#)) MIO\_PIN\_00

Name MIO\_PIN\_00  
 Relative Address 0x00000700  
 Absolute Address 0xF8000700  
 Width 32 bits  
 Access Type rw  
 Reset Value 0x00001601  
 Description MIO Pin 0 Control

Register MIO\_PIN\_00 Details

Field Name	Bits	Type	Reset Value	Description
reserved	31:14	rw	0x0	reserved
DisableRcvr	13	rw	0x0	Disable HSTL Input Buffer to save power when it is an output-only (IO_Type must be HSTL). 0: enable 1: disable
PULLUP	12	rw	0x1	Enables Pullup on IO Buffer pin 0: disable 1: enable
IO_Type	11:9	rw	0x3	Select the IO Buffer Type. 000: Reserved 001: LVCMOS18 010: LVCMOS25 011: LVCMOS33 100: HSTL 101: Reserved 110: Reserved 111: Reserved



Field Name	Bits	Type	Reset Value	Description
Speed	8	rw	0x0	Select IO Buffer Edge Rate, applicable when IO_Type is LVCMOS18, LVCMOS25 or LVCMOS33. 0: Slow CMOS edge 1: Fast CMOS edge
L3_SEL	7:5	rw	0x0	Level 3 Mux Select 000: GPIO 0 (bank 0), Input/Output others: reserved
L2_SEL	4:3	rw	0x0	Level 2 Mux Select 00: Level 3 Mux 01: SRAM/NOR Chip Select 0, Output 10: NAND Flash Chip Select, Output 11: SDIO 0 Power Control, Output
L1_SEL	2	rw	0x0	Level 1 Mux Select 0: Level 2 Mux 1: reserved
L0_SEL	1	rw	0x0	Level 0 Mux Select 0: Level 1 Mux 1: Quad SPI 1 chip select, Output
TRI_ENABLE	0	rw	0x1	Tri-state enable, active high. 0: disable 1: enable

### Register ([slcr](#)) MIO\_PIN\_01

Name	MIO_PIN_01
Relative Address	0x00000704
Absolute Address	0xF8000704
Width	32 bits
Access Type	rw
Reset Value	0x00001601
Description	MIO Pin 1 Control

#### Register MIO\_PIN\_01 Details

Field Name	Bits	Type	Reset Value	Description
reserved	31:14	rw	0x0	reserved
DisableRcvr	13	rw	0x0	Operates the same as MIO_PIN_00[DisableRcvr]
PULLUP	12	rw	0x1	Operates the same as MIO_PIN_00[PULLUP]

Field Name	Bits	Type	Reset Value	Description
IO_Type	11:9	rw	0x3	Operates the same as MIO_PIN_00[IO_Type]
Speed	8	rw	0x0	Operates the same as MIO_PIN_00[Speed]
L3_SEL	7:5	rw	0x0	Level 3 Mux Select 000: GPIO 1 (bank 0), Input/Output others: reserved
L2_SEL	4:3	rw	0x0	Level 2 Mux Select 00: Level 3 Mux 01: SRAM Address Bit 25, Output 10: SRAM/NOR Chip Select 1, Output 11: SDIO 1 Power Control, Output
L1_SEL	2	rw	0x0	Level 1 Mux Select 0: Level 2 Mux 1: reserved
L0_SEL	1	rw	0x0	Level 0 Mux Select 0: Level 1 Mux 1: Quad SPI 0 Chip Select, Output
TRI_ENABLE	0	rw	0x1	Operates the same as MIO_PIN_00[TRI_ENABLE]

### Register ([slcr](#)) MIO\_PIN\_02

Name	MIO_PIN_02
Relative Address	0x00000708
Absolute Address	0xF8000708
Width	32 bits
Access Type	rw
Reset Value	0x00000601
Description	MIO Pin 2 Control

### Register MIO\_PIN\_02 Details

Field Name	Bits	Type	Reset Value	Description
reserved	31:14	rw	0x0	reserved
DisableRcvr	13	rw	0x0	Operates the same as MIO_PIN_00[DisableRcvr]
PULLUP	12	rw	0x0	Operates the same as MIO_PIN_00[PULLUP]
IO_Type	11:9	rw	0x3	Operates the same as MIO_PIN_00[IO_Type]
Speed	8	rw	0x0	Operates the same as MIO_PIN_00[Speed]

Field Name	Bits	Type	Reset Value	Description
L3_SEL	7:5	rw	0x0	Level 3 Mux Select 000: GPIO 2 (bank 0), Input/Output others: reserved
L2_SEL	4:3	rw	0x0	Level 2 Mux Select 00: Level 3 Mux 01: reserved 10: NAND Flash ALEn, Output 11: SDIO 0 Power Control, Output
L1_SEL	2	rw	0x0	Level 1 Mux Select 0: Level 2 Mux 1: Trace Port Data Bit 8, Output
L0_SEL	1	rw	0x0	Level 0 Mux Select 0: Level 1 Mux 1: Quad SPI 0 IO Bit 0, Input/Output
TRI_ENABLE	0	rw	0x1	Operates the same as MIO_PIN_00[TRI_ENABLE]

### Register ([slcr](#)) MIO\_PIN\_03

Name	MIO_PIN_03
Relative Address	0x0000070C
Absolute Address	0xF800070C
Width	32 bits
Access Type	rw
Reset Value	0x00000601
Description	MIO Pin 3 Control

### Register MIO\_PIN\_03 Details

Field Name	Bits	Type	Reset Value	Description
reserved	31:14	rw	0x0	reserved
DisableRcvr	13	rw	0x0	Operates the same as MIO_PIN_00[DisableRcvr]
PULLUP	12	rw	0x0	Operates the same as MIO_PIN_00[PULLUP]
IO_Type	11:9	rw	0x3	Operates the same as MIO_PIN_00[IO_Type]
Speed	8	rw	0x0	Operates the same as MIO_PIN_00[Speed]
L3_SEL	7:5	rw	0x0	Level 3 Mux Select 000: GPIO 3 (bank 0), Input/Output others: reserved

Field Name	Bits	Type	Reset Value	Description
L2_SEL	4:3	rw	0x0	Level 2 Mux Select 00: Level 3 Mux 01: SRAM/NOR Data bit 0, Input/Output 10: NAND WE_B, Output 11: SDIO 1 Card Power, Output
L1_SEL	2	rw	0x0	Level 1 Mux Select 0: Level 2 Mux 1: Trace Port Data Bit 9, Output
L0_SEL	1	rw	0x0	Level 0 Mux Select 0: Level 1 Mux 1: Quad SPI 0 IO Bit 1, Input/Output
TRI_ENABLE	0	rw	0x1	Operates the same as MIO_PIN_00[TRI_ENABLE]

### Register ([slcr](#)) MIO\_PIN\_04

Name	MIO_PIN_04
Relative Address	0x00000710
Absolute Address	0xF8000710
Width	32 bits
Access Type	rw
Reset Value	0x00000601
Description	MIO Pin 4 Control

### Register MIO\_PIN\_04 Details

Field Name	Bits	Type	Reset Value	Description
reserved	31:14	rw	0x0	reserved
DisableRcvr	13	rw	0x0	Operates the same as MIO_PIN_00[DisableRcvr]
PULLUP	12	rw	0x0	Operates the same as MIO_PIN_00[PULLUP]
IO_Type	11:9	rw	0x3	Operates the same as MIO_PIN_00[IO_Type]
Speed	8	rw	0x0	Operates the same as MIO_PIN_00[Speed]
L3_SEL	7:5	rw	0x0	Level 3 Mux Select 000: GPIO 4 (bank 0), Input/Output others: reserved

Field Name	Bits	Type	Reset Value	Description
L2_SEL	4:3	rw	0x0	Level 2 Mux Select 00: Level 3 Mux 01: SRAM/NOR Data Bit 1, Input/Output 10: NAND Flash IO Bit 2, Input/Output 11: SDIO 0 Power Control, Output
L1_SEL	2	rw	0x0	Level 1 Mux Select 0: Level 2 Mux 1: Trace Port Data Bit 10, Output
L0_SEL	1	rw	0x0	Level 0 Mux Select 0: Level 1 Mux 1: Quad SPI 0 IO Bit 2, Input/Output
TRI_ENABLE	0	rw	0x1	Operates the same as MIO_PIN_00[TRI_ENABLE]

### Register ([slcr](#)) MIO\_PIN\_05

Name	MIO_PIN_05
Relative Address	0x00000714
Absolute Address	0xF8000714
Width	32 bits
Access Type	rw
Reset Value	0x00000601
Description	MIO Pin 5 Control

### Register MIO\_PIN\_05 Details

Field Name	Bits	Type	Reset Value	Description
reserved	31:14	rw	0x0	reserved
DisableRcvr	13	rw	0x0	Operates the same as MIO_PIN_00[DisableRcvr]
PULLUP	12	rw	0x0	Operates the same as MIO_PIN_00[PULLUP]
IO_Type	11:9	rw	0x3	Operates the same as MIO_PIN_00[IO_Type]
Speed	8	rw	0x0	Operates the same as MIO_PIN_00[Speed]
L3_SEL	7:5	rw	0x0	Level 3 Mux Select 000: GPIO 5 (bank 0), Input/Output others: reserved

Field Name	Bits	Type	Reset Value	Description
L2_SEL	4:3	rw	0x0	Level 2 Mux Select 00: Level 3 Mux 01: SRAM/NOR Data Bit 2, Input/Output 10: NAND Flash IO Bit 0, Input/Output 11: SDIO 1 Power Control, Output
L1_SEL	2	rw	0x0	Level 1 Mux Select 0: Level 2 Mux 1: Trace Port Data Bit 11, Output
L0_SEL	1	rw	0x0	Level 0 Mux Select 0: Level 1 Mux 1: Quad SPI 0 IO Bit 3, Input/Output
TRI_ENABLE	0	rw	0x1	Operates the same as MIO_PIN_00[TRI_ENABLE]

### Register ([slcr](#)) MIO\_PIN\_06

Name	MIO_PIN_06
Relative Address	0x00000718
Absolute Address	0xF8000718
Width	32 bits
Access Type	rw
Reset Value	0x00000601
Description	MIO Pin 6 Control

### Register MIO\_PIN\_06 Details

Field Name	Bits	Type	Reset Value	Description
reserved	31:14	rw	0x0	reserved
DisableRcvr	13	rw	0x0	Operates the same as MIO_PIN_00[DisableRcvr]
PULLUP	12	rw	0x0	Operates the same as MIO_PIN_00[PULLUP]
IO_Type	11:9	rw	0x3	Operates the same as MIO_PIN_00[IO_Type]
Speed	8	rw	0x0	Operates the same as MIO_PIN_00[Speed]
L3_SEL	7:5	rw	0x0	Level 3 Mux Select 000: GPIO 6 (bank 0), Input/Output others: reserved

Field Name	Bits	Type	Reset Value	Description
L2_SEL	4:3	rw	0x0	Level 2 Mux Select 00: Level 3 Mux 01: SRAM/NOR Data Bit 3, Input/Output 10: NAND Flash IO Bit 1, Input/Output 11: SDIO 0 Power Control, Output
L1_SEL	2	rw	0x0	Level 1 Mux Select 0: Level 2 Mux 1: Trace Port Data Bit 12, Output
L0_SEL	1	rw	0x0	Level 0 Mux Select 0: Level 1 Mux 1: Quad SPI 0 Clock, Output
TRI_ENABLE	0	rw	0x1	Operates the same as MIO_PIN_00[TRI_ENABLE]

### Register ([slcr](#)) MIO\_PIN\_07

Name	MIO_PIN_07
Relative Address	0x0000071C
Absolute Address	0xF800071C
Width	32 bits
Access Type	rw
Reset Value	0x00000601
Description	MIO Pin 7 Control

### Register MIO\_PIN\_07 Details

Field Name	Bits	Type	Reset Value	Description
reserved	31:14	rw	0x0	reserved
DisableRcvr	13	rw	0x0	Operates the same as MIO_PIN_00[DisableRcvr]
PULLUP	12	rw	0x0	Operates the same as MIO_PIN_00[PULLUP]
IO_Type	11:9	rw	0x3	Operates the same as MIO_PIN_00[IO_Type]
Speed	8	rw	0x0	Operates the same as MIO_PIN_00[Speed]
L3_SEL	7:5	rw	0x0	Level 3 Mux Select 000: GPIO 7 (bank 0), Output-only others: reserved

Field Name	Bits	Type	Reset Value	Description
L2_SEL	4:3	rw	0x0	Level 2 Mux Select 00: Level 3 Mux 01: SRAM/NOR OE_B, Output 10: NAND Flash CLE_B, Output 11: SDIO 1 Power Control, Output
L1_SEL	2	rw	0x0	Level 1 Mux Select 0: Level 2 Mux 1: Trace Port Data Bit 13, Output
L0_SEL	1	rw	0x0	Level 0 Mux Select 0: Level 1 Mux 1: reserved
TRI_ENABLE	0	rw	0x1	Operates the same as MIO_PIN_00[TRI_ENABLE]

### Register ([slcr](#)) MIO\_PIN\_08

Name	MIO_PIN_08
Relative Address	0x00000720
Absolute Address	0xF8000720
Width	32 bits
Access Type	rw
Reset Value	0x00000601
Description	MIO Pin 8 Control

#### Register MIO\_PIN\_08 Details

Field Name	Bits	Type	Reset Value	Description
reserved	31:14	rw	0x0	reserved
DisableRcvr	13	rw	0x0	Operates the same as MIO_PIN_00[DisableRcvr]
PULLUP	12	rw	0x0	Operates the same as MIO_PIN_00[PULLUP]
IO_Type	11:9	rw	0x3	Operates the same as MIO_PIN_00[IO_Type]
Speed	8	rw	0x0	Operates the same as MIO_PIN_00[Speed]
L3_SEL	7:5	rw	0x0	Level 3 Mux Select 000: GPIO 8 (bank 0), Output-only 001: CAN 1 Tx, Output 010: SRAM/NOR BLS_B, Output 011 to 110: reserved 111: UART 1 Tx/D, Output



Field Name	Bits	Type	Reset Value	Description
L2_SEL	4:3	rw	0x0	Level 2 Mux Select 00: Level 3 Mux 01: reserved 10: NAND Flash RD_B, Output 11: SDIO 0 Power Control, Output
L1_SEL	2	rw	0x0	Level 1 Mux Select 0: Level 2 Mux 1: Trace Port Data Bit 14, Output
L0_SEL	1	rw	0x0	Level 0 Mux Select 0: Level 1 Mux 1: Quad SPI Feedback Clock, Output
TRI_ENABLE	0	rw	0x1	Operates the same as MIO_PIN_00[TRI_ENABLE]

### Register ([slcr](#)) MIO\_PIN\_09

Name	MIO_PIN_09
Relative Address	0x00000724
Absolute Address	0xF8000724
Width	32 bits
Access Type	rw
Reset Value	0x00001601
Description	MIO Pin 9 Control

#### Register MIO\_PIN\_09 Details

Field Name	Bits	Type	Reset Value	Description
reserved	31:14	rw	0x0	reserved
DisableRcvr	13	rw	0x0	Operates the same as MIO_PIN_00[DisableRcvr]
PULLUP	12	rw	0x1	Operates the same as MIO_PIN_00[PULLUP]
IO_Type	11:9	rw	0x3	Operates the same as MIO_PIN_00[IO_Type]
Speed	8	rw	0x0	Operates the same as MIO_PIN_00[Speed]
L3_SEL	7:5	rw	0x0	Level 3 Mux Select 000: GPIO 9 (bank 0), Input/Output 001: CAN 1 Rx, Input 010 to 110: reserved 111: UART 1 RxD, Input

Field Name	Bits	Type	Reset Value	Description
L2_SEL	4:3	rw	0x0	Level 2 Mux Select 00: Level 3 Mux 01: SRAM/NOR Data Bit 6, Input/Output 10: NAND Flash IO Bit 4, Input/Output 11: SDIO 1 Power Control, Output
L1_SEL	2	rw	0x0	Level 1 Mux Select 0: Level 2 Mux 1: Trace Port Data Bit 15, Output
L0_SEL	1	rw	0x0	Level 0 Mux Select 0: Level 1 Mux 1: Quad SPI 1 Flash Memory Clock, Output
TRI_ENABLE	0	rw	0x1	Operates the same as MIO_PIN_00[TRI_ENABLE]

### Register ([slcr](#)) MIO\_PIN\_10

Name	MIO_PIN_10
Relative Address	0x00000728
Absolute Address	0xF8000728
Width	32 bits
Access Type	rw
Reset Value	0x00001601
Description	MIO Pin 10 Control

### Register MIO\_PIN\_10 Details

Field Name	Bits	Type	Reset Value	Description
reserved	31:14	rw	0x0	reserved
DisableRcvr	13	rw	0x0	Operates the same as MIO_PIN_00[DisableRcvr]
PULLUP	12	rw	0x1	Operates the same as MIO_PIN_00[PULLUP]
IO_Type	11:9	rw	0x3	Operates the same as MIO_PIN_00[IO_Type]
Speed	8	rw	0x0	Operates the same as MIO_PIN_00[Speed]

Field Name	Bits	Type	Reset Value	Description
L3_SEL	7:5	rw	0x0	Level 3 Mux Select 000: GPIO 10 (bank 0), Input/Output 001: CAN 0 Rx, Input 010: I2C 0 Serial Clock, Input/Output 011: PJTAG TDI, Input 100: SDIO 1 IO Bit 0, Input/Output 101: SPI 1 MOSI, Input/Output 110: reserved 111: UART 0 RxD, Input
L2_SEL	4:3	rw	0x0	Level 2 Mux Select 00: Level 3 Mux 01: SRAM/NOR Data Bit 7, Input/Output 10: NAND Flash IO Bit 5, Input/Output 11: SDIO 0 Power Control, Output
L1_SEL	2	rw	0x0	Level 1 Mux Select 0: Level 2 Mux 1: Trace Port Data Bit 2, Output
L0_SEL	1	rw	0x0	Level 0 Mux Select 0: Level 1 Mux 1: Quad SPI 1 IO Bit 0, Input/Output
TRI_ENABLE	0	rw	0x1	Operates the same as MIO_PIN_00[TRI_ENABLE]

### Register ([slcr](#)) MIO\_PIN\_11

Name	MIO_PIN_11
Relative Address	0x0000072C
Absolute Address	0xF800072C
Width	32 bits
Access Type	rw
Reset Value	0x00001601
Description	MIO Pin 11 Control

#### Register MIO\_PIN\_11 Details

Field Name	Bits	Type	Reset Value	Description
reserved	31:14	rw	0x0	reserved
DisableRcvr	13	rw	0x0	Operates the same as MIO_PIN_00[DisableRcvr]
PULLUP	12	rw	0x1	Operates the same as MIO_PIN_00[PULLUP]

Field Name	Bits	Type	Reset Value	Description
IO_Type	11:9	rw	0x3	Operates the same as MIO_PIN_00[IO_Type]
Speed	8	rw	0x0	Operates the same as MIO_PIN_00[Speed]
L3_SEL	7:5	rw	0x0	Level 3 Mux Select 000: GPIO 11 (bank 0), Input/Output 001: CAN 0 Tx, Output 010: I2C 0 Serial Data, Input/Output 011: PJTAG TDO, Output 100: SDIO 1 Command, Input/Output 101: SPI 1 MISO, Input/Output 110: reserved 111: UART 0 Tx/D, Output
L2_SEL	4:3	rw	0x0	Level 2 Mux Select 00: Level 3 Mux 01: SRAM/NOR Data Bit 4, Input/Output 10: NAND Flash IO Bit 6, Input/Output 11: SDIO 1 Power Control, Output
L1_SEL	2	rw	0x0	Level 1 Mux Select 0: Level 2 Mux 1: Trace Port Data Bit 3, Output
L0_SEL	1	rw	0x0	Level 0 Mux Select 0: Level 1 Mux 1: Quad SPI 1 IO Bit 1, Input/Output
TRI_ENABLE	0	rw	0x1	Operates the same as MIO_PIN_00[TRI_ENABLE]

### Register ([slcr](#)) MIO\_PIN\_12

Name	MIO_PIN_12
Relative Address	0x00000730
Absolute Address	0xF8000730
Width	32 bits
Access Type	rw
Reset Value	0x00001601
Description	MIO Pin 12 Control

Register MIO\_PIN\_12 Details

Field Name	Bits	Type	Reset Value	Description
reserved	31:14	rw	0x0	reserved
DisableRcvr	13	rw	0x0	Operates the same as MIO_PIN_00[DisableRcvr]
PULLUP	12	rw	0x1	Operates the same as MIO_PIN_00[PULLUP]
IO_Type	11:9	rw	0x3	Operates the same as MIO_PIN_00[IO_Type]
Speed	8	rw	0x0	Operates the same as MIO_PIN_00[Speed]
L3_SEL	7:5	rw	0x0	Level 3 Mux Select 000: GPIO 12 (bank 0), Input/Output 001: CAN 1 Tx, Output 010: I2C 1 Serial Clock, Input/Output 011: PJTAG TCK, Input 100: SDIO 1 Clock, Input/Output 101: SPI 1 Serial Clock, Input/Output 110: reserved 111: UART 1 TxD, Output
L2_SEL	4:3	rw	0x0	Level 2 Mux Select 00: Level 3 Mux 01: reserved 10: NAND Flash IO Bit 7, Input/Output 11: SDIO 0 Power Control, Output
L1_SEL	2	rw	0x0	Level 1 Mux Select 0: Level 2 Mux 1: Trace Port Clock, Output
L0_SEL	1	rw	0x0	Level 0 Mux Select 0: Level 1 Mux 1: Quad SPI 1 IO Bit 2, Input/Output
TRI_ENABLE	0	rw	0x1	Operates the same as MIO_PIN_00[TRI_ENABLE]

Register ([slcr](#)) MIO\_PIN\_13

Name	MIO_PIN_13
Relative Address	0x00000734
Absolute Address	0xF8000734
Width	32 bits
Access Type	rw
Reset Value	0x00001601
Description	MIO Pin 13 Control

Register MIO\_PIN\_13 Details

Field Name	Bits	Type	Reset Value	Description
reserved	31:14	rw	0x0	reserved
DisableRcvr	13	rw	0x0	Operates the same as MIO_PIN_00[DisableRcvr]
PULLUP	12	rw	0x1	Operates the same as MIO_PIN_00[PULLUP]
IO_Type	11:9	rw	0x3	Operates the same as MIO_PIN_00[IO_Type]
Speed	8	rw	0x0	Operates the same as MIO_PIN_00[Speed]
L3_SEL	7:5	rw	0x0	Level 3 Mux Select 000: GPIO 13 (bank 0), Input/Output 001: CAN 1 Rx, Input 010: I2C 1 Serial Data, Input/Output 011: PJTAG TMS, Input 100: SDIO 1 IO Bit 1, Input/Output 101: SPI 1 Slave Select 0, Input/Output 110: reserved 111: UART 1 Rx/D, Input
L2_SEL	4:3	rw	0x0	Level 2 Mux Select 00: Level 3 Mux 01: SRAM/NOR Data Bit 5, Input/Output 10: NAND Flash IO Bit 3, Input/Output 11: SDIO 1 Power Control, Output
L1_SEL	2	rw	0x0	Level 1 Mux Select 0: Level 2 Mux 1: Trace Port Control Signal, Output
L0_SEL	1	rw	0x0	Level 0 Mux Select 0: Level 1 Mux 1: Quad SPI 1 IO Bit 3, Input/Output
TRI_ENABLE	0	rw	0x1	Operates the same as MIO_PIN_00[TRI_ENABLE]

Register ([slcr](#)) MIO\_PIN\_14

Name	MIO_PIN_14
Relative Address	0x00000738
Absolute Address	0xF8000738
Width	32 bits
Access Type	rw
Reset Value	0x00001601

Description MIO Pin 14 Control

Register MIO\_PIN\_14 Details

Field Name	Bits	Type	Reset Value	Description
reserved	31:14	rw	0x0	reserved
DisableRcvr	13	rw	0x0	Operates the same as MIO_PIN_00[DisableRcvr]
PULLUP	12	rw	0x1	Operates the same as MIO_PIN_00[PULLUP]
IO_Type	11:9	rw	0x3	Operates the same as MIO_PIN_00[IO_Type]
Speed	8	rw	0x0	Operates the same as MIO_PIN_00[Speed]
L3_SEL	7:5	rw	0x0	Level 3 Mux Select 000: GPIO 14 (bank 0), Input/Output 001: CAN 0 Rx, Input 010: I2C 0 Serial Clock, Input/Output 011: SWDT Clock, Input 100: SDIO 1 IO Bit 2, Input/Output 101: SPI 1 slave select 1, Output 110: reserved 111: UART 0 RxD, Input
L2_SEL	4:3	rw	0x0	Level 2 Mux Select 00: Level 3 Mux 01: reserved 10: NAND Flash Busy, Input 11: SDIO 0 Power Control, Output
L1_SEL	2	rw	0x0	Level 1 Mux Select 0: Level 2 Mux 1: Trace Port Data Bit 0, Output
L0_SEL	1	rw	0x0	Level 0 Mux Select 0: Level 1 Mux 1= Not Used
TRI_ENABLE	0	rw	0x1	Operates the same as MIO_PIN_00[TRI_ENABLE]

Register ([slcr](#)) MIO\_PIN\_15

Name MIO\_PIN\_15  
 Relative Address 0x0000073C  
 Absolute Address 0xF800073C  
 Width 32 bits  
 Access Type rw

Reset Value            0x00001601  
 Description            MIO Pin 15 Control

### Register MIO\_PIN\_15 Details

Field Name	Bits	Type	Reset Value	Description
reserved	31:14	rw	0x0	reserved
DisableRcvr	13	rw	0x0	Operates the same as MIO_PIN_00[DisableRcvr]
PULLUP	12	rw	0x1	Operates the same as MIO_PIN_00[PULLUP]
IO_Type	11:9	rw	0x3	Operates the same as MIO_PIN_00[IO_Type]
Speed	8	rw	0x0	Operates the same as MIO_PIN_00[Speed]
L3_SEL	7:5	rw	0x0	Level 3 Mux Select 000: GPIO 15 (bank 0), Input/Output 001: CAN 0 Tx, Output 010: I2C 0 Serial Data, Input/Output 011: SWDT Reset, Output 100: SDIO 1 IO Bit 3, Input/Output 101: SPI 1 Slave Select 2, Output 110: reserved 111: UART 0 TxD, Output
L2_SEL	4:3	rw	0x0	Level 2 Mux Select 00: Level 3 Mux 01: SRAM/NOR Address Bit 0, Output 10: reserved 11: SDIO 1 Power Control, Output
L1_SEL	2	rw	0x0	Level 1 Mux Select 0: Level 2 Mux 1: Trace Port Data Bit 1, Output
L0_SEL	1	rw	0x0	Level 0 Mux Select 0: Level 1 Mux 1= Not Used
TRI_ENABLE	0	rw	0x1	Operates the same as MIO_PIN_00[TRI_ENABLE]

### Register ([slcr](#)) MIO\_PIN\_16

Name                    MIO\_PIN\_16  
 Relative Address      0x00000740  
 Absolute Address     0xF8000740  
 Width                  32 bits



Access Type                rw  
 Reset Value               0x00001601  
 Description                MIO Pin 16 Control

Register MIO\_PIN\_16 Details

Field Name	Bits	Type	Reset Value	Description
reserved	31:14	rw	0x0	reserved
DisableRcvr	13	rw	0x0	Operates the same as MIO_PIN_00[DisableRcvr]
PULLUP	12	rw	0x1	Operates the same as MIO_PIN_00[PULLUP]
IO_Type	11:9	rw	0x3	Operates the same as MIO_PIN_00[IO_Type]
Speed	8	rw	0x0	Operates the same as MIO_PIN_00[Speed]
L3_SEL	7:5	rw	0x0	Level 3 Mux Select 000: GPIO 16 (bank 0), Input/Output 001: CAN 1 Tx, Output 010: I2C 1 Serial Clock, Input/Output 011: reserved 100: SDIO 0 Clock, Input/Output 101: SPI 0 Serial Clock, Input/Output 110: TTC 1 Wave, Output 111: UART 1 Tx/D, Output
L2_SEL	4:3	rw	0x0	Level 2 Mux Select 00: Level 3 Mux 01: SRAM/NOR Address Bit 1, Output 10: NAND Flash IO Bit 8, Input/Output 11: SDIO 0 Power Control, Output
L1_SEL	2	rw	0x0	Level 1 Mux Select 0: Level 2 Mux 1: Trace Port Data Bit 4, Output
L0_SEL	1	rw	0x0	Level 0 Mux Select 0: Level 1 Mux 1: Ethernet 0 RGMII Tx Clock, Output
TRI_ENABLE	0	rw	0x1	Operates the same as MIO_PIN_00[TRI_ENABLE]

Register ([slcr](#)) MIO\_PIN\_17

Name                        MIO\_PIN\_17  
 Relative Address           0x00000744  
 Absolute Address          0xF8000744

Width 32 bits  
 Access Type rw  
 Reset Value 0x00001601  
 Description MIO Pin 17 Control

Register MIO\_PIN\_17 Details

Field Name	Bits	Type	Reset Value	Description
reserved	31:14	rw	0x0	reserved
DisableRcvr	13	rw	0x0	Operates the same as MIO_PIN_00[DisableRcvr]
PULLUP	12	rw	0x1	Operates the same as MIO_PIN_00[PULLUP]
IO_Type	11:9	rw	0x3	Operates the same as MIO_PIN_00[IO_Type]
Speed	8	rw	0x0	Operates the same as MIO_PIN_00[Speed]
L3_SEL	7:5	rw	0x0	Level 3 Mux Select 000: GPIO 17 (bank 0), Input/Output 001: CAN 1 Rx, Input 010: I2C 1 Serial Data, Input/Output 011: reserved 100: SDIO 0 Command, Input/Output 101: SPI 0 MISO, Input/Output 110 TTC 1 Clock, Input 111: UART 1 RxD, Input
L2_SEL	4:3	rw	0x0	Level 2 Mux Select 00: Level 3 Mux 01: SRAM/NOR Address Bit 2, Output 10: NAND Flash IO Bit 9, Input/Output 11: SDIO 1 Power Control, Output
L1_SEL	2	rw	0x0	Level 1 Mux Select 0: Level 2 Mux 1: Trace Port Data Bit 5, Output
L0_SEL	1	rw	0x0	Level 0 Mux Select 0: Level 1 Mux 1: Ethernet 0 RGMII TxD Bit 0, Output
TRI_ENABLE	0	rw	0x1	Operates the same as MIO_PIN_00[TRI_ENABLE]

Register ([slcr](#)) MIO\_PIN\_18

Name MIO\_PIN\_18  
 Relative Address 0x00000748

Absolute Address      0xF8000748  
 Width                    32 bits  
 Access Type            rw  
 Reset Value            0x00001601  
 Description            MIO Pin 18 Control

### Register MIO\_PIN\_18 Details

Field Name	Bits	Type	Reset Value	Description
reserved	31:14	rw	0x0	reserved
DisableRcvr	13	rw	0x0	Operates the same as MIO_PIN_00[DisableRcvr]
PULLUP	12	rw	0x1	Operates the same as MIO_PIN_00[PULLUP]
IO_Type	11:9	rw	0x3	Operates the same as MIO_PIN_00[IO_Type]
Speed	8	rw	0x0	Operates the same as MIO_PIN_00[Speed]
L3_SEL	7:5	rw	0x0	Level 3 Mux Select 000: GPIO 18 (bank 0), Input/Output 001: CAN 0 Rx, Input 010: I2C 0 Serial Clock, Input/Output 011: reserved 100: SDIO 0 IO Bit 0, Input/Output 101: SPI 0 Slave Select 0, Input/Output 110: TTC 0 Wave, Output 111: UART 0 RxD, Input
L2_SEL	4:3	rw	0x0	Level 2 Mux Select 00: Level 3 Mux 01: SRAM/NOR Address Bit 3, Output 10: NAND Flash IO Bit 10, Input/Output 11: SDIO 0 Power Control, Output
L1_SEL	2	rw	0x0	Level 1 Mux Select 0: Level 2 Mux 1: Trace Port Data Bit 6, Output
L0_SEL	1	rw	0x0	Level 0 Mux Select 0: Level 1 Mux 1: Ethernet 0 RGMII TxD Bit 1, Output
TRI_ENABLE	0	rw	0x1	Operates the same as MIO_PIN_00[TRI_ENABLE]

### Register ([slcr](#)) MIO\_PIN\_19

Name                    MIO\_PIN\_19

Relative Address      0x0000074C  
 Absolute Address      0xF800074C  
 Width                    32 bits  
 Access Type            rw  
 Reset Value            0x00001601  
 Description            MIO Pin 19 Control

### Register MIO\_PIN\_19 Details

Field Name	Bits	Type	Reset Value	Description
reserved	31:14	rw	0x0	reserved
DisableRcvr	13	rw	0x0	Operates the same as MIO_PIN_00[DisableRcvr]
PULLUP	12	rw	0x1	Operates the same as MIO_PIN_00[PULLUP]
IO_Type	11:9	rw	0x3	Operates the same as MIO_PIN_00[IO_Type]
Speed	8	rw	0x0	Operates the same as MIO_PIN_00[Speed]
L3_SEL	7:5	rw	0x0	Level 3 Mux Select 000: GPIO 19 (bank 0), Input/Output 001: CAN 0 Tx, Output 010: I2C 0 Serial Data, Input/Output 011: reserved 100: SDIO 0 IO Bit 1, Input/Output 101: SPI 0 Slave Select 1, Output 110: TTC 0 Clock, Input 111: UART 0 Tx/D, Output
L2_SEL	4:3	rw	0x0	Level 2 Mux Select 00: Level 3 Mux 01: SRAM/NOR Address Bit 4, Output 10: NAND Flash IO Bit 11, Input/Output 11: SDIO 1 Power Control, Output
L1_SEL	2	rw	0x0	Level 1 Mux Select 0: Level 2 Mux 1: Trace Port Data Bit 7, Output
L0_SEL	1	rw	0x0	Level 0 Mux Select 0: Level 1 Mux 1: Ethernet 0 RGMII Tx/D Bit 2, Output
TRI_ENABLE	0	rw	0x1	Operates the same as MIO_PIN_00[TRI_ENABLE]

Register ([slcr](#)) MIO\_PIN\_20

Name MIO\_PIN\_20  
 Relative Address 0x00000750  
 Absolute Address 0xF8000750  
 Width 32 bits  
 Access Type rw  
 Reset Value 0x00001601  
 Description MIO Pin 20 Control

Register MIO\_PIN\_20 Details

Field Name	Bits	Type	Reset Value	Description
reserved	31:14	rw	0x0	reserved
DisableRcvr	13	rw	0x0	Operates the same as MIO_PIN_00[DisableRcvr]
PULLUP	12	rw	0x1	Operates the same as MIO_PIN_00[PULLUP]
IO_Type	11:9	rw	0x3	Operates the same as MIO_PIN_00[IO_Type]
Speed	8	rw	0x0	Operates the same as MIO_PIN_00[Speed]
L3_SEL	7:5	rw	0x0	Level 3 Mux Select 000: GPIO 20 (bank 0), Input/Output 001: CAN 1 Tx, Output 010: I2C 1 Serial Clock, Input/Output 011: reserved 100: SDIO 0 IO Bit 2, Input/Output 101: SPI 0 Slave Select 2, Output 110: reserved 111: UART 1 Tx/D, Output
L2_SEL	4:3	rw	0x0	Level 2 Mux Select 00: Level 3 Mux 01: SRAM/NOR Address Bit 5, Output 10: NAND Flash IO Bit 12, Input/Output 11: SDIO 0 Power Control, Output
L1_SEL	2	rw	0x0	Level 1 Mux Select 0: Level 2 Mux 1: reserved
L0_SEL	1	rw	0x0	Level 0 Mux Select 0: Level 1 Mux 1: Ethernet 0 RGMII Tx/D Bit 3, Output
TRI_ENABLE	0	rw	0x1	Operates the same as MIO_PIN_00[TRI_ENABLE]

Register ([slcr](#)) MIO\_PIN\_21

Name	MIO_PIN_21
Relative Address	0x00000754
Absolute Address	0xF8000754
Width	32 bits
Access Type	rw
Reset Value	0x00001601
Description	MIO Pin 21 Control

Register MIO\_PIN\_21 Details

Field Name	Bits	Type	Reset Value	Description
reserved	31:14	rw	0x0	reserved
DisableRcvr	13	rw	0x0	Operates the same as MIO_PIN_00[DisableRcvr]
PULLUP	12	rw	0x1	Operates the same as MIO_PIN_00[PULLUP]
IO_Type	11:9	rw	0x3	Operates the same as MIO_PIN_00[IO_Type]
Speed	8	rw	0x0	Operates the same as MIO_PIN_00[Speed]
L3_SEL	7:5	rw	0x0	Level 3 Mux Select 000: GPIO 21 (bank 0), Input/Output 001: CAN 1 Rx, Input 010: I2C 1 Serial Data, Input/Output 011: reserved 100: SDIO 0 IO Bit 3, Input/Output 101: SPI 0 MOSI, Input/Output 110: reserved 111: UART 1 RxD, Input
L2_SEL	4:3	rw	0x0	Level 2 Mux Select 00: Level 3 Mux 01: SRAM/NOR Address Bit 6, Output 10: NAND Flash IO Bit 13, Input/Output 11: SDIO 1 Power Control, Output
L1_SEL	2	rw	0x0	Level 1 Mux Select 0: Level 2 Mux 1: reserved
L0_SEL	1	rw	0x0	Level 0 Mux Select 0: Level 1 Mux 1: Ethernet 0 RGMII Tx Control, Output
TRI_ENABLE	0	rw	0x1	Operates the same as MIO_PIN_00[TRI_ENABLE]

Register ([slcr](#)) MIO\_PIN\_22

Name MIO\_PIN\_22  
 Relative Address 0x00000758  
 Absolute Address 0xF8000758  
 Width 32 bits  
 Access Type rw  
 Reset Value 0x00001601  
 Description MIO Pin 22 Control

Register MIO\_PIN\_22 Details

Field Name	Bits	Type	Reset Value	Description
reserved	31:14	rw	0x0	reserved
DisableRcvr	13	rw	0x0	Operates the same as MIO_PIN_00[DisableRcvr]
PULLUP	12	rw	0x1	Operates the same as MIO_PIN_00[PULLUP]
IO_Type	11:9	rw	0x3	Operates the same as MIO_PIN_00[IO_Type]
Speed	8	rw	0x0	Operates the same as MIO_PIN_00[Speed]
L3_SEL	7:5	rw	0x0	Level 3 Mux Select 000: GPIO 22 (bank 0), Input/Output 001: CAN 0 Rx, Input 010: I2C 0 Serial Clock, Input/Output 011: PJTAG TDI, Input 100: SDIO 1 IO Bit 0, Input/Output 101: SPI 1 MOSI, Input/Output 110: reserved 111: UART 0 RxD, Input
L2_SEL	4:3	rw	0x0	Level 2 Mux Select 00: Level 3 Mux 01: SRAM/NOR Address Bit 7, Output 10: NAND Flash IO Bit 14, Input/Output 11: SDIO 0 Power Control, Output
L1_SEL	2	rw	0x0	Level 1 Mux Select 0: Level 2 Mux 1: Trace Port Data Bit 2, Output
L0_SEL	1	rw	0x0	Level 0 Mux Select 0: Level 1 Mux 1: Ethernet 0 RGMII Rx Clock, Input
TRI_ENABLE	0	rw	0x1	Operates the same as MIO_PIN_00[TRI_ENABLE]

Register ([slcr](#)) MIO\_PIN\_23

Name MIO\_PIN\_23  
 Relative Address 0x0000075C  
 Absolute Address 0xF800075C  
 Width 32 bits  
 Access Type rw  
 Reset Value 0x00001601  
 Description MIO Pin 23 Control

Register MIO\_PIN\_23 Details

Field Name	Bits	Type	Reset Value	Description
reserved	31:14	rw	0x0	reserved
DisableRcvr	13	rw	0x0	Operates the same as MIO_PIN_00[DisableRcvr]
PULLUP	12	rw	0x1	Operates the same as MIO_PIN_00[PULLUP]
IO_Type	11:9	rw	0x3	Operates the same as MIO_PIN_00[IO_Type]
Speed	8	rw	0x0	Operates the same as MIO_PIN_00[Speed]
L3_SEL	7:5	rw	0x0	Level 3 Mux Select 000: GPIO 23 (bank 0), Input/Output 001: CAN 0 Tx, Output 010: I2C 0 Serial Data, Input/Output 011: PJTAG TDO, Output 100: SDIO 1 Command, Input/Output 101: SPI 1 MISO, Input/Output 110: reserved 111: UART 0 Tx/D, Output
L2_SEL	4:3	rw	0x0	Level 2 Mux Select 00: Level 3 Mux 01: SRAM/NOR Address Bit 8, Output 10: NAND Flash IO Bit 15, Input/Output 11: SDIO 1 Power Control, Output
L1_SEL	2	rw	0x0	Level 1 Mux Select 0: Level 2 Mux 1: Trace Port Data Bit 3, Output
L0_SEL	1	rw	0x0	Level 0 Mux Select 0: Level 1 Mux 1: Ethernet 0 RGMII RxD 0, Input
TRI_ENABLE	0	rw	0x1	Operates the same as MIO_PIN_00[TRI_ENABLE]



### Register ([slcr](#)) MIO\_PIN\_24

Name	MIO_PIN_24
Relative Address	0x00000760
Absolute Address	0xF8000760
Width	32 bits
Access Type	rw
Reset Value	0x00001601
Description	MIO Pin 24 Control

#### Register MIO\_PIN\_24 Details

Field Name	Bits	Type	Reset Value	Description
reserved	31:14	rw	0x0	reserved
DisableRcvr	13	rw	0x0	Operates the same as MIO_PIN_00[DisableRcvr]
PULLUP	12	rw	0x1	Operates the same as MIO_PIN_00[PULLUP]
IO_Type	11:9	rw	0x3	Operates the same as MIO_PIN_00[IO_Type]
Speed	8	rw	0x0	Operates the same as MIO_PIN_00[Speed]
L3_SEL	7:5	rw	0x0	Level 3 Mux Select 000: GPIO 24 (bank 0), Input/Output 001: CAN 1 Tx, Output 010: I2C 1 Serial Clock, Input/Output 011: PJTAG TCK, Input 100: SDIO 1 Clock, Input/Output 101: SPI 1 Serial Clock, Input/Output 110: reserved 111: UART 1 Tx/D, Output
L2_SEL	4:3	rw	0x0	Level 2 Mux Select 00: Level 3 Mux 01: SRAM/NOR Address Bit 9, Output 10: reserved 11: SDIO 0 Power Control, Output
L1_SEL	2	rw	0x0	Level 1 Mux Select 0: Level 2 Mux 1: Trace Port Clock output, Output
L0_SEL	1	rw	0x0	Level 0 Mux Select 0: Level 1 Mux 1: Ethernet 0 RGMII RxD Bit 1, Input
TRI_ENABLE	0	rw	0x1	Operates the same as MIO_PIN_00[TRI_ENABLE]

Register ([slcr](#)) MIO\_PIN\_25

Name MIO\_PIN\_25  
 Relative Address 0x00000764  
 Absolute Address 0xF8000764  
 Width 32 bits  
 Access Type rw  
 Reset Value 0x00001601  
 Description MIO Pin 25 Control

Register MIO\_PIN\_25 Details

Field Name	Bits	Type	Reset Value	Description
reserved	31:14	rw	0x0	reserved
DisableRcvr	13	rw	0x0	Operates the same as MIO_PIN_00[DisableRcvr]
PULLUP	12	rw	0x1	Operates the same as MIO_PIN_00[PULLUP]
IO_Type	11:9	rw	0x3	Operates the same as MIO_PIN_00[IO_Type]
Speed	8	rw	0x0	Operates the same as MIO_PIN_00[Speed]
L3_SEL	7:5	rw	0x0	Level 3 Mux Select 000: GPIO 25 (bank 0), Input/Output 001: CAN 1 Rx, Input 010: I2C 1 Serial Data, Input/Output 011: PJTAG TMS, Input 100: SDIO 1 IO Bit 1, Input/Output 101: SPI 1 Slave Select 0, Input/Output 110: reserved 111: UART 1 RxD, Input
L2_SEL	4:3	rw	0x0	Level 2 Mux Select 00: Level 3 Mux 01: SRAM/NOR Address Bit 10, Output 10: reserved 11: SDIO 1 Power Control, Output
L1_SEL	2	rw	0x0	Level 1 Mux Select 0: Level 2 Mux 1: Trace Port Control Signal, Output
L0_SEL	1	rw	0x0	Level 0 Mux Select 0: Level 1 Mux 1: Ethernet 0 RGMII RxD Bit2, Input
TRI_ENABLE	0	rw	0x1	Operates the same as MIO_PIN_00[TRI_ENABLE]

Register ([slcr](#)) MIO\_PIN\_26

Name MIO\_PIN\_26  
 Relative Address 0x00000768  
 Absolute Address 0xF8000768  
 Width 32 bits  
 Access Type rw  
 Reset Value 0x00001601  
 Description MIO Pin 26 Control

Register MIO\_PIN\_26 Details

Field Name	Bits	Type	Reset Value	Description
reserved	31:14	rw	0x0	reserved
DisableRcvr	13	rw	0x0	Operates the same as MIO_PIN_00[DisableRcvr]
PULLUP	12	rw	0x1	Operates the same as MIO_PIN_00[PULLUP]
IO_Type	11:9	rw	0x3	Operates the same as MIO_PIN_00[IO_Type]
Speed	8	rw	0x0	Operates the same as MIO_PIN_00[Speed]
L3_SEL	7:5	rw	0x0	Level 3 Mux Select 000: GPIO 26 (bank 0), Input/Output 001: CAN 0 Rx, Input 010: I2C 0 Serial Clock, Input/Output 011: SWDT Clock, Input 100: SDIO 1 IO Bit 2, Input/Output 101: SPI 1 Slave Select 1, Output 110: reserved 111: UART 0 RxD, Input
L2_SEL	4:3	rw	0x0	Level 2 Mux Select 00: Level 3 Mux 01: SRAM/NOR Address Bit 11, Output 10: reserved 11: SDIO 0 Power Control, Output
L1_SEL	2	rw	0x0	Level 1 Mux Select 0: Level 2 Mux 1: Trace Port Data Bit 0, Output
L0_SEL	1	rw	0x0	Level 0 Mux Select 0: Level 1 Mux 1: Ethernet 0 RGMII RxD Bit 3, Input
TRI_ENABLE	0	rw	0x1	Operates the same as MIO_PIN_00[TRI_ENABLE]

Register ([slcr](#)) MIO\_PIN\_27

Name	MIO_PIN_27
Relative Address	0x0000076C
Absolute Address	0xF800076C
Width	32 bits
Access Type	rw
Reset Value	0x00001601
Description	MIO Pin 27 Control

Register MIO\_PIN\_27 Details

Field Name	Bits	Type	Reset Value	Description
reserved	31:14	rw	0x0	reserved
DisableRcvr	13	rw	0x0	Operates the same as MIO_PIN_00[DisableRcvr]
PULLUP	12	rw	0x1	Operates the same as MIO_PIN_00[PULLUP]
IO_Type	11:9	rw	0x3	Operates the same as MIO_PIN_00[IO_Type]
Speed	8	rw	0x0	Operates the same as MIO_PIN_00[Speed]
L3_SEL	7:5	rw	0x0	Level 3 Mux Select 000: GPIO 27 (bank 0), Input/Output 001: CAN 0 Tx, Output 010: I2C 0 Serial Data, Input/Output 011: SWDT Reset, Output 100: SDIO 1 IO Bit 3, Input/Output 101: SPI 1 Slave Select 2, Output 110: reserved 111: UART 0 Tx/D, Output
L2_SEL	4:3	rw	0x0	Level 2 Mux Select 00: Level 3 Mux 01: SRAM/NOR Address Bit 12, Output 10: reserved 11: SDIO 1 Power Control, Output
L1_SEL	2	rw	0x0	Level 1 Mux Select 0: Level 2 Mux 1: Trace Port Data Bit 1, Output
L0_SEL	1	rw	0x0	Level 0 Mux Select 0: Level 1 Mux 1: Ethernet 0 RGMII Rx Control, Input
TRI_ENABLE	0	rw	0x1	Operates the same as MIO_PIN_00[TRI_ENABLE]

Register ([slcr](#)) MIO\_PIN\_28

Name MIO\_PIN\_28  
 Relative Address 0x00000770  
 Absolute Address 0xF8000770  
 Width 32 bits  
 Access Type rw  
 Reset Value 0x00001601  
 Description MIO Pin 28 Control

Register MIO\_PIN\_28 Details

Field Name	Bits	Type	Reset Value	Description
reserved	31:14	rw	0x0	reserved
DisableRcvr	13	rw	0x0	Operates the same as MIO_PIN_00[DisableRcvr]
PULLUP	12	rw	0x1	Operates the same as MIO_PIN_00[PULLUP]
IO_Type	11:9	rw	0x3	Operates the same as MIO_PIN_00[IO_Type]
Speed	8	rw	0x0	Operates the same as MIO_PIN_00[Speed]
L3_SEL	7:5	rw	0x0	Level 3 Mux Select 000: GPIO 28 (bank 0), Input/Output 001: CAN 1 Tx, Output 010: I2C 1 Serial Clock, Input/Output 011: reserved 100: SDIO 0 Clock, Input/Output 101: SPI 0 Serial Clock, Input/Output 110: TTC 1 Wave, Output 111: UART 1 Tx/D, Output
L2_SEL	4:3	rw	0x0	Level 2 Mux Select 00: Level 3 Mux 01: SRAM/NOR Address Bit 13, Output 10: reserved 11: SDIO 0 Power Control, Output
L1_SEL	2	rw	0x0	Level 1 Mux Select 0: Level 2 Mux 1: USB 0 ULPI Data Bit 4, Input/Output
L0_SEL	1	rw	0x0	Level 0 Mux Select 0: Level 1 Mux 1: Ethernet 1 RGMII Tx Clock, Output
TRI_ENABLE	0	rw	0x1	Operates the same as MIO_PIN_00[TRI_ENABLE]

Register ([slcr](#)) MIO\_PIN\_29

Name MIO\_PIN\_29  
 Relative Address 0x00000774  
 Absolute Address 0xF8000774  
 Width 32 bits  
 Access Type rw  
 Reset Value 0x00001601  
 Description MIO Pin 29 Control

Register MIO\_PIN\_29 Details

Field Name	Bits	Type	Reset Value	Description
reserved	31:14	rw	0x0	reserved
DisableRcvr	13	rw	0x0	Operates the same as MIO_PIN_00[DisableRcvr]
PULLUP	12	rw	0x1	Operates the same as MIO_PIN_00[PULLUP]
IO_Type	11:9	rw	0x3	Operates the same as MIO_PIN_00[IO_Type]
Speed	8	rw	0x0	Operates the same as MIO_PIN_00[Speed]
L3_SEL	7:5	rw	0x0	Level 3 Mux Select 000: GPIO 29 (bank 0), Input/Output 001: CAN 1 Rx, Input 010: I2C 1 Serial Data, Input/Output 011: reserved 100: SDIO 0 Command, Input/Output 101: SPI 0 MISO, Input/Output 110: TTC 1 Clock, Input 111: UART 1 RxD, Input
L2_SEL	4:3	rw	0x0	Level 2 Mux Select 00: Level 3 Mux 01: SRAM/NOR Address Bit 14, Output 10: reserved 11: SDIO 1 Power Control, Output
L1_SEL	2	rw	0x0	Level 1 Mux Select 0: Level 2 Mux 1: USB 0 ULPI Direction, Input
L0_SEL	1	rw	0x0	Level 0 Mux Select 0: Level 1 Mux 1: Ethernet 1 RGMII TxD Bit 0, Output
TRI_ENABLE	0	rw	0x1	Operates the same as MIO_PIN_00[TRI_ENABLE]

Register ([slcr](#)) MIO\_PIN\_30

Name MIO\_PIN\_30  
 Relative Address 0x00000778  
 Absolute Address 0xF8000778  
 Width 32 bits  
 Access Type rw  
 Reset Value 0x00001601  
 Description MIO Pin 30 Control

Register MIO\_PIN\_30 Details

Field Name	Bits	Type	Reset Value	Description
reserved	31:14	rw	0x0	reserved
DisableRcvr	13	rw	0x0	Operates the same as MIO_PIN_00[DisableRcvr]
PULLUP	12	rw	0x1	Operates the same as MIO_PIN_00[PULLUP]
IO_Type	11:9	rw	0x3	Operates the same as MIO_PIN_00[IO_Type]
Speed	8	rw	0x0	Operates the same as MIO_PIN_00[Speed]
L3_SEL	7:5	rw	0x0	Level 3 Mux Select 000: GPIO 30 (bank 0), Input/Output 001: CAN 0 Rx, Input 010: I2C 0 Serial Clock, Input/Output 011: reserved 100: SDIO 0 IO Bit 0, Input/Output 101: SPI 0 Slave Select 0, Input/Output 110: TTC 0 Wave, Output 111: UART 0 RxD, Input
L2_SEL	4:3	rw	0x0	Level 2 Mux Select 00: Level 3 Mux 01: SRAM/NOR Address Bit 15, Output 10: reserved 11: SDIO 0 Power Control, Output
L1_SEL	2	rw	0x0	Level 1 Mux Select 0: Level 2 Mux 1: USB 0 ULPI Stop, Output
L0_SEL	1	rw	0x0	Level 0 Mux Select 0: Level 1 Mux 1: Ethernet 1 RGMII TxD Bit 1, Output
TRI_ENABLE	0	rw	0x1	Operates the same as MIO_PIN_00[TRI_ENABLE]

Register ([slcr](#)) MIO\_PIN\_31

Name	MIO_PIN_31
Relative Address	0x0000077C
Absolute Address	0xF800077C
Width	32 bits
Access Type	rw
Reset Value	0x00001601
Description	MIO Pin 31 Control

Register MIO\_PIN\_31 Details

Field Name	Bits	Type	Reset Value	Description
reserved	31:14	rw	0x0	reserved
DisableRcvr	13	rw	0x0	Operates the same as MIO_PIN_00[DisableRcvr]
PULLUP	12	rw	0x1	Operates the same as MIO_PIN_00[PULLUP]
IO_Type	11:9	rw	0x3	Operates the same as MIO_PIN_00[IO_Type]
Speed	8	rw	0x0	Operates the same as MIO_PIN_00[Speed]
L3_SEL	7:5	rw	0x0	Level 3 Mux Select 000: GPIO 31 (bank 0), Input/Output 001: CAN 0 Tx, Output 010: I2C 0 Serial Data, Input/Output 011: reserved 100: SDIO 0 IO Bit 1, Input/Output 101: SPI 0 Slave Select 1, Output 110: TTC 0 Clock, Input 111: UART 0 Tx/D, Output
L2_SEL	4:3	rw	0x0	Level 2 Mux Select 00: Level 3 Mux 01: SRAM/NOR Address Bit 16, Output 10: reserved 11: SDIO 1 Power Control, Output
L1_SEL	2	rw	0x0	Level 1 Mux Select 0: Level 2 Mux 1: USB 0 ULPI Next, Input
L0_SEL	1	rw	0x0	Level 0 Mux Select 0: Level 1 Mux 1: Ethernet 1 RGMII Tx/D Bit 2, Output
TRI_ENABLE	0	rw	0x1	Operates the same as MIO_PIN_00[TRI_ENABLE]



Register ([slcr](#)) MIO\_PIN\_32

Name MIO\_PIN\_32  
 Relative Address 0x00000780  
 Absolute Address 0xF8000780  
 Width 32 bits  
 Access Type rw  
 Reset Value 0x00001601  
 Description MIO Pin 32 Control

Register MIO\_PIN\_32 Details

Field Name	Bits	Type	Reset Value	Description
reserved	31:14	rw	0x0	reserved
DisableRcvr	13	rw	0x0	Operates the same as MIO_PIN_00[DisableRcvr]
PULLUP	12	rw	0x1	Operates the same as MIO_PIN_00[PULLUP]
IO_Type	11:9	rw	0x3	Operates the same as MIO_PIN_00[IO_Type]
Speed	8	rw	0x0	Operates the same as MIO_PIN_00[Speed]
L3_SEL	7:5	rw	0x0	Level 3 Mux Select 000: GPIO 32 (bank 1), Input/Output 001: CAN 1 Tx, Output 010: I2C 1 Serial Clock, Input/Output 011: reserved 100: SDIO 0 IO Bit 2, Input/Output 101: SPI 0 Slave Select 2, Output 110: reserved 111: UART 1 Tx/D, Output
L2_SEL	4:3	rw	0x0	Level 2 Mux Select 00: Level 3 Mux 01: SRAM/NOR Address Bit 17, Output 10: reserved 11: SDIO 0 Power Control, Output
L1_SEL	2	rw	0x0	Level 1 Mux Select 0: Level 2 Mux 1: USB 0 ULPI Data Bit 0, Input/Output
L0_SEL	1	rw	0x0	Level 0 Mux Select 0: Level 1 Mux 1: Ethernet 1 RGMII Tx/D Bit 3, Output
TRI_ENABLE	0	rw	0x1	Operates the same as MIO_PIN_00[TRI_ENABLE]

Register ([slcr](#)) MIO\_PIN\_33

Name MIO\_PIN\_33  
 Relative Address 0x00000784  
 Absolute Address 0xF8000784  
 Width 32 bits  
 Access Type rw  
 Reset Value 0x00001601  
 Description MIO Pin 33 Control

Register MIO\_PIN\_33 Details

Field Name	Bits	Type	Reset Value	Description
reserved	31:14	rw	0x0	reserved
DisableRcvr	13	rw	0x0	Operates the same as MIO_PIN_00[DisableRcvr]
PULLUP	12	rw	0x1	Operates the same as MIO_PIN_00[PULLUP]
IO_Type	11:9	rw	0x3	Operates the same as MIO_PIN_00[IO_Type]
Speed	8	rw	0x0	Operates the same as MIO_PIN_00[Speed]
L3_SEL	7:5	rw	0x0	Level 3 Mux Select 000: GPIO 33 (Bank 1), Input/Output 001: CAN 1 Rx, Input 010: I2C 1 Serial Data, Input/Output 011: reserved 100: SDIO 0 IO Bit 3, Input/Output 101: SPI 0 MOSI, Input/Output 110: reserved 111: UART 1 RxD, Input
L2_SEL	4:3	rw	0x0	Level 2 Mux Select 00: Level 3 Mux 01: SRAM/NOR Address Bit 18, Output 10: reserved 11: SDIO 1 Power Control, Output
L1_SEL	2	rw	0x0	Level 1 Mux Select 0: Level 2 Mux 1: USB 0 ULPI Data Bit 1, Input/Output
L0_SEL	1	rw	0x0	Level 0 Mux Select 0: Level 1 Mux 1: Ethernet 1 RGMII Tx Control, Output
TRI_ENABLE	0	rw	0x1	Operates the same as MIO_PIN_00[TRI_ENABLE]

### Register ([slcr](#)) MIO\_PIN\_34

Name	MIO_PIN_34
Relative Address	0x00000788
Absolute Address	0xF8000788
Width	32 bits
Access Type	rw
Reset Value	0x00001601
Description	MIO Pin 34 Control

#### Register MIO\_PIN\_34 Details

Field Name	Bits	Type	Reset Value	Description
reserved	31:14	rw	0x0	reserved
DisableRcvr	13	rw	0x0	Operates the same as MIO_PIN_00[DisableRcvr]
PULLUP	12	rw	0x1	Operates the same as MIO_PIN_00[PULLUP]
IO_Type	11:9	rw	0x3	Operates the same as MIO_PIN_00[IO_Type]
Speed	8	rw	0x0	Operates the same as MIO_PIN_00[Speed]
L3_SEL	7:5	rw	0x0	Level 3 Mux Select 000: GPIO 34 (bank 1), Input/Output 001: CAN 0 Rx, Input 010: I2C 0 Serial Clock, Input/Output 011: PJTAG TDI, Input 100: SDIO 1 IO Bit 0, Input/Output 110: reserved 111: UART 0 Rx, Input
L2_SEL	4:3	rw	0x0	Level 2 Mux Select 00: Level 3 Mux 01: SRAM/NOR Address Bit 19, Output 10: reserved 11: SDIO 0 Power Control, Output
L1_SEL	2	rw	0x0	Level 1 Mux Select 0: Level 2 Mux 1: USB 0 ULPI Data Bit 2, Input/Output
L0_SEL	1	rw	0x0	Level 0 Mux Select 0: Level 1 Mux 1: Ethernet 1 RGMII Rx Clock, Input
TRI_ENABLE	0	rw	0x1	Operates the same as MIO_PIN_00[TRI_ENABLE]

Register ([slcr](#)) MIO\_PIN\_35

Name	MIO_PIN_35
Relative Address	0x0000078C
Absolute Address	0xF800078C
Width	32 bits
Access Type	rw
Reset Value	0x00001601
Description	MIO Pin 35 Control

Register MIO\_PIN\_35 Details

Field Name	Bits	Type	Reset Value	Description
reserved	31:14	rw	0x0	reserved
DisableRcvr	13	rw	0x0	Operates the same as MIO_PIN_00[DisableRcvr]
PULLUP	12	rw	0x1	Operates the same as MIO_PIN_00[PULLUP]
IO_Type	11:9	rw	0x3	Operates the same as MIO_PIN_00[IO_Type]
Speed	8	rw	0x0	Operates the same as MIO_PIN_00[Speed]
L3_SEL	7:5	rw	0x0	Level 3 Mux Select 000: GPIO 35 (bank 1), Input/Output 001: CAN 0 Tx, Output 010: I2C 0 Serial Data, Input/Output 011: PJTAG TDO, Output 100: SDIO 1 Command, Input/Output 101: SPI 1 MISO, Input/Output 110: reserved 111: UART 0 Tx/D, Output
L2_SEL	4:3	rw	0x0	Level 2 Mux Select 00: Level 3 Mux 01: SRAM/NOR Address Bit 20, Output 10: reserved 11: SDIO 1 Power Control, Output
L1_SEL	2	rw	0x0	Level 1 Mux Select 0: Level 2 Mux 1: USB 0 ULPI Data Bit 3, Input/Output
L0_SEL	1	rw	0x0	Level 0 Mux Select 0: Level 1 Mux 1: Ethernet 1 RGMII RxD data Bit 0, Input
TRI_ENABLE	0	rw	0x1	Operates the same as MIO_PIN_00[TRI_ENABLE]

Register ([slcr](#)) MIO\_PIN\_36

Name	MIO_PIN_36
Relative Address	0x00000790
Absolute Address	0xF8000790
Width	32 bits
Access Type	rw
Reset Value	0x00001601
Description	MIO Pin 36 Control

Register MIO\_PIN\_36 Details

Field Name	Bits	Type	Reset Value	Description
reserved	31:14	rw	0x0	reserved
DisableRcvr	13	rw	0x0	Operates the same as MIO_PIN_00[DisableRcvr]
PULLUP	12	rw	0x1	Operates the same as MIO_PIN_00[PULLUP]
IO_Type	11:9	rw	0x3	Operates the same as MIO_PIN_00[IO_Type]
Speed	8	rw	0x0	Operates the same as MIO_PIN_00[Speed]
L3_SEL	7:5	rw	0x0	Level 3 Mux Select 000: GPIO 36 (bank 1), Input/Output 001: CAN 1 Tx, Output 010: I2C 1 Serial Clock, Input/Output 011: PJTAG TCK, Input 100: SDIO 1 Clock, Input/Output 101: SPI 1 Clock, Input/Output 110: reserved 111: UART 1 Tx/D, Output
L2_SEL	4:3	rw	0x0	Level 2 Mux Select 00: Level 3 Mux 01: SRAM/NOR Address Bit 21, Output 10: reserved 11: SDIO 0 Power Control, Output
L1_SEL	2	rw	0x0	Level 1 Mux Select 0: Level 2 Mux 1: USB 0 ULPI Clock, Input/Output
L0_SEL	1	rw	0x0	Level 0 Mux Select 0: Level 1 Mux 1: Ethernet 1 RGMII Data Bit 1
TRI_ENABLE	0	rw	0x1	Operates the same as MIO_PIN_00[TRI_ENABLE]

Register ([slcr](#)) MIO\_PIN\_37

Name	MIO_PIN_37
Relative Address	0x00000794
Absolute Address	0xF8000794
Width	32 bits
Access Type	rw
Reset Value	0x00001601
Description	MIO Pin 37 Control

Register MIO\_PIN\_37 Details

Field Name	Bits	Type	Reset Value	Description
reserved	31:14	rw	0x0	reserved
DisableRcvr	13	rw	0x0	Operates the same as MIO_PIN_00[DisableRcvr]
PULLUP	12	rw	0x1	Operates the same as MIO_PIN_00[PULLUP]
IO_Type	11:9	rw	0x3	Operates the same as MIO_PIN_00[IO_Type]
Speed	8	rw	0x0	Operates the same as MIO_PIN_00[Speed]
L3_SEL	7:5	rw	0x0	Level 3 Mux Select 000: GPIO 37 (bank 1), Input/Output 001: CAN 1 Rx, Input 010: I2C 1 Serial Data, Input/Output 011: PJTAG TMS, Input 100: SDIO 1 IO Bit 1, Input/Output 101: SPI 1 Slave Select 0, Input/Output 110: reserved 111: UART 1 RxD, Input
L2_SEL	4:3	rw	0x0	Level 2 Mux Select 00: Level 3 Mux 01: SRAM/NOR Address Bit 22, Output 10: reserved 11: SDIO 1 Power Control, Output
L1_SEL	2	rw	0x0	Level 1 Mux Select 0: Level 2 Mux 1: USB 0 ULPI Data Bit 5, Input/Output
L0_SEL	1	rw	0x0	Level 0 Mux Select 0: Level 1 Mux 1: Ethernet 1 RGMII RxD Data Bit 2, Input
TRI_ENABLE	0	rw	0x1	Operates the same as MIO_PIN_00[TRI_ENABLE]

Register ([slcr](#)) MIO\_PIN\_38

Name	MIO_PIN_38
Relative Address	0x00000798
Absolute Address	0xF8000798
Width	32 bits
Access Type	rw
Reset Value	0x00001601
Description	MIO Pin 38 Control

Register MIO\_PIN\_38 Details

Field Name	Bits	Type	Reset Value	Description
reserved	31:14	rw	0x0	reserved
DisableRcvr	13	rw	0x0	Operates the same as MIO_PIN_00[DisableRcvr]
PULLUP	12	rw	0x1	Operates the same as MIO_PIN_00[PULLUP]
IO_Type	11:9	rw	0x3	Operates the same as MIO_PIN_00[IO_Type]
Speed	8	rw	0x0	Operates the same as MIO_PIN_00[Speed]
L3_SEL	7:5	rw	0x0	Level 3 Mux Select 000: GPIO 38 (bank 1), Input/Output 001: CAN 0 Rx, Input 010: I2C 0 Serial Clock, Input/Output 011: SWDT Clock, Input 100: SDIO 1 IO Bit 2, Input/Output 101: SPI 1 Slave Select 1, Output 110: reserved 111: UART 0 RxD, Input
L2_SEL	4:3	rw	0x0	Level 2 Mux Select 00: Level 3 Mux 01: SRAM/NOR Address Bit 23, Output 10: reserved 11: SDIO 0 Power Control, Output
L1_SEL	2	rw	0x0	Level 1 Mux Select 0: Level 2 Mux 1: USB 0 ULPI Data Bit 6, Input/Output
L0_SEL	1	rw	0x0	Level 0 Mux Select 0: Level 1 Mux 1: Ethernet 1 RGMII RxD Data Bit 3, Input
TRI_ENABLE	0	rw	0x1	Operates the same as MIO_PIN_00[TRI_ENABLE]

Register ([slcr](#)) MIO\_PIN\_39

Name	MIO_PIN_39
Relative Address	0x0000079C
Absolute Address	0xF800079C
Width	32 bits
Access Type	rw
Reset Value	0x00001601
Description	MIO Pin 39 Control

Register MIO\_PIN\_39 Details

Field Name	Bits	Type	Reset Value	Description
reserved	31:14	rw	0x0	reserved
DisableRcvr	13	rw	0x0	Operates the same as MIO_PIN_00[DisableRcvr]
PULLUP	12	rw	0x1	Operates the same as MIO_PIN_00[PULLUP]
IO_Type	11:9	rw	0x3	Operates the same as MIO_PIN_00[IO_Type]
Speed	8	rw	0x0	Operates the same as MIO_PIN_00[Speed]
L3_SEL	7:5	rw	0x0	Level 3 Mux Select 000: GPIO 39 (bank 1), Input/Output 001: CAN 0 Tx, Output 010: I2C 0 Serial Data, Input/Output 011: SWDT Reset, Output 100: SDIO 1 IO Bit 3, Input/Output 101: SPI 1 Slave Select 2, Output 110: reserved 111: UART 0 Tx/D, Output
L2_SEL	4:3	rw	0x0	Level 2 Mux Select 00: Level 3 Mux 01: SRAM/NOR Address Bit 24, Output 10: reserved 11: SDIO 1 Power Control, Output
L1_SEL	2	rw	0x0	Level 1 Mux Select 0: Level 2 Mux 1: USB 0 ULPI Data Bit 7, Input/Output
L0_SEL	1	rw	0x0	Level 0 Mux Select 0: Level 1 Mux 1: Ethernet 1 RGMII Rx Control, Input
TRI_ENABLE	0	rw	0x1	Operates the same as MIO_PIN_00[TRI_ENABLE]



Register ([slcr](#)) MIO\_PIN\_40

Name	MIO_PIN_40
Relative Address	0x000007A0
Absolute Address	0xF80007A0
Width	32 bits
Access Type	rw
Reset Value	0x00001601
Description	MIO Pin 40 Control

Register MIO\_PIN\_40 Details

Field Name	Bits	Type	Reset Value	Description
reserved	31:14	rw	0x0	reserved
DisableRcvr	13	rw	0x0	Operates the same as MIO_PIN_00[DisableRcvr]
PULLUP	12	rw	0x1	Operates the same as MIO_PIN_00[PULLUP]
IO_Type	11:9	rw	0x3	Operates the same as MIO_PIN_00[IO_Type]
Speed	8	rw	0x0	Operates the same as MIO_PIN_00[Speed]
L3_SEL	7:5	rw	0x0	Level 3 Mux Select 000: GPIO 40 (bank 1), Input/Output 001: CAN 1 Tx, Output 010: I2C 1 Serial Clock, Input/Output 011: reserved 100: SDIO 0 Clock, Input/Output 101: SPI 0 Serial Clock, Input/Output 110: TTC 1 Wave, Output 111: UART 1 Tx/D, Output
L2_SEL	4:3	rw	0x0	Level 2 Mux Select 00: Level 3 Mux 01: reserved 10: reserved 11: SDIO 0 Power Control, Output
L1_SEL	2	rw	0x0	Level 1 Mux Select 0: Level 2 Mux 1: USB 1 ULPI Data Bit 4, Input/Output
L0_SEL	1	rw	0x0	Level 0 Mux Select 0: Level 1 Mux 1: reserved
TRI_ENABLE	0	rw	0x1	Operates the same as MIO_PIN_00[TRI_ENABLE]

Register ([slcr](#)) MIO\_PIN\_41

Name	MIO_PIN_41
Relative Address	0x000007A4
Absolute Address	0xF80007A4
Width	32 bits
Access Type	rw
Reset Value	0x00001601
Description	MIO Pin 41 Control

Register MIO\_PIN\_41 Details

Field Name	Bits	Type	Reset Value	Description
reserved	31:14	rw	0x0	reserved
DisableRcvr	13	rw	0x0	Operates the same as MIO_PIN_00[DisableRcvr]
PULLUP	12	rw	0x1	Operates the same as MIO_PIN_00[PULLUP]
IO_Type	11:9	rw	0x3	Operates the same as MIO_PIN_00[IO_Type]
Speed	8	rw	0x0	Operates the same as MIO_PIN_00[Speed]
L3_SEL	7:5	rw	0x0	Level 3 Mux Select 000: GPIO 41 (bank 1), Input/Output 001: CAN 1 Rx, Input 010: I2C 1 Serial Data, Input/Output 011: reserved 100: SDIO 0 Command, Input/Output 101: SPI 0 MISO, Input/Output 110: TTC 1 Clock, Input 111: UART 1 RxD, Input
L2_SEL	4:3	rw	0x0	Level 2 Mux Select 00: Level 3 Mux 01: reserved 10: reserved 11: SDIO 1 Power Control, Output
L1_SEL	2	rw	0x0	Level 1 Mux Select 0: Level 2 Mux 1: USB 1 ULPI Direction, Input
L0_SEL	1	rw	0x0	Level 0 Mux Select 0: Level 1 Mux 1: reserved
TRI_ENABLE	0	rw	0x1	Operates the same as MIO_PIN_00[TRI_ENABLE]

### Register ([slcr](#)) MIO\_PIN\_42

Name	MIO_PIN_42
Relative Address	0x000007A8
Absolute Address	0xF80007A8
Width	32 bits
Access Type	rw
Reset Value	0x00001601
Description	MIO Pin 42 Control

#### Register MIO\_PIN\_42 Details

Field Name	Bits	Type	Reset Value	Description
reserved	31:14	rw	0x0	reserved
DisableRcvr	13	rw	0x0	Operates the same as MIO_PIN_00[DisableRcvr]
PULLUP	12	rw	0x1	Operates the same as MIO_PIN_00[PULLUP]
IO_Type	11:9	rw	0x3	Operates the same as MIO_PIN_00[IO_Type]
Speed	8	rw	0x0	Operates the same as MIO_PIN_00[Speed]
L3_SEL	7:5	rw	0x0	Level 3 Mux Select 000: GPIO 42 (bank 1), Input/Output 001: CAN 0 Rx, Input 010: I2C 0 Serial Clock, Input/Output 011: reserved 100: SDIO 0 IO Bit 0, Input/Output 101: SPI 0 Slave Select 0, Input/Output 110: TTC 0 Wave, Output 111: UART 0 RxD, Input
L2_SEL	4:3	rw	0x0	Level 2 Mux Select 00: Level 3 Mux 01: reserved 10: reserved 11: SDIO 0 Power Control, Output
L1_SEL	2	rw	0x0	Level 1 Mux Select 0: Level 2 Mux 1: USB 1 ULPI Stop, Output
L0_SEL	1	rw	0x0	Level 0 Mux Select 0: Level 1 Mux 1= Not Used
TRI_ENABLE	0	rw	0x1	Operates the same as MIO_PIN_00[TRI_ENABLE]

Register ([slcr](#)) MIO\_PIN\_43

Name MIO\_PIN\_43  
 Relative Address 0x000007AC  
 Absolute Address 0xF80007AC  
 Width 32 bits  
 Access Type rw  
 Reset Value 0x00001601  
 Description MIO Pin 43 Control

Register MIO\_PIN\_43 Details

Field Name	Bits	Type	Reset Value	Description
reserved	31:14	rw	0x0	reserved
DisableRcvr	13	rw	0x0	Operates the same as MIO_PIN_00[DisableRcvr]
PULLUP	12	rw	0x1	Operates the same as MIO_PIN_00[PULLUP]
IO_Type	11:9	rw	0x3	Operates the same as MIO_PIN_00[IO_Type]
Speed	8	rw	0x0	Operates the same as MIO_PIN_00[Speed]
L3_SEL	7:5	rw	0x0	Level 3 Mux Select 000: GPIO 43 (bank 1), Input/Output 001: CAN 0 Tx, Output 010: I2C 0 Serial Data, Input/Output 011: reserved 100: SDIO 0 IO Bit 1, Input/Output 101: SPI 0 Slave Select 1, Output 110: TTC 0 Clock, Input 111: UART 0 Tx/D, Output
L2_SEL	4:3	rw	0x0	Level 2 Mux Select 00: Level 3 Mux 01: reserved 10: reserved 11: SDIO 1 Power Control, Output
L1_SEL	2	rw	0x0	Level 1 Mux Select 0: Level 2 Mux 1: USB 1 ULPI Next, Input
L0_SEL	1	rw	0x0	Level 0 Mux Select 0: Level 1 Mux 1: reserved
TRI_ENABLE	0	rw	0x1	Operates the same as MIO_PIN_00[TRI_ENABLE]

Register ([slcr](#)) MIO\_PIN\_44

Name MIO\_PIN\_44  
 Relative Address 0x000007B0  
 Absolute Address 0xF80007B0  
 Width 32 bits  
 Access Type rw  
 Reset Value 0x00001601  
 Description MIO Pin 44 Control

Register MIO\_PIN\_44 Details

Field Name	Bits	Type	Reset Value	Description
reserved	31:14	rw	0x0	reserved
DisableRcvr	13	rw	0x0	Operates the same as MIO_PIN_00[DisableRcvr]
PULLUP	12	rw	0x1	Operates the same as MIO_PIN_00[PULLUP]
IO_Type	11:9	rw	0x3	Operates the same as MIO_PIN_00[IO_Type]
Speed	8	rw	0x0	Operates the same as MIO_PIN_00[Speed]
L3_SEL	7:5	rw	0x0	Level 3 Mux Select 000: GPIO 44 (bank 1), Input/Output 001: CAN 1 Tx, Output 010: I2C 1 Serial Clock, Input/Output 011: reserved 100: SDIO 0 IO Bit 2, Input/Output 101: SPI 0 Slave Select 2, Output 110: reserved 111: UART 1 Tx/D, Output
L2_SEL	4:3	rw	0x0	Level 2 Mux Select 00: Level 3 Mux 01: reserved 10: reserved 11: SDIO 0 Power Control, Output
L1_SEL	2	rw	0x0	Level 1 Mux Select 0: Level 2 Mux 1: USB 1 ULPI Data Bit 0, Input/Output
L0_SEL	1	rw	0x0	Level 0 Mux Select 0: Level 1 Mux 1: reserved
TRI_ENABLE	0	rw	0x1	Operates the same as MIO_PIN_00[TRI_ENABLE]

Register ([slcr](#)) MIO\_PIN\_45

Name MIO\_PIN\_45  
 Relative Address 0x000007B4  
 Absolute Address 0xF80007B4  
 Width 32 bits  
 Access Type rw  
 Reset Value 0x00001601  
 Description MIO Pin 45 Control

Register MIO\_PIN\_45 Details

Field Name	Bits	Type	Reset Value	Description
reserved	31:14	rw	0x0	reserved
DisableRcvr	13	rw	0x0	Operates the same as MIO_PIN_00[DisableRcvr]
PULLUP	12	rw	0x1	Operates the same as MIO_PIN_00[PULLUP]
IO_Type	11:9	rw	0x3	Operates the same as MIO_PIN_00[IO_Type]
Speed	8	rw	0x0	Operates the same as MIO_PIN_00[Speed]
L3_SEL	7:5	rw	0x0	Level 3 Mux Select 000: GPIO 45 (bank 1), Input/Output 001: CAN 1 Rx, Input 010: I2C 1 Serial Data, Input/Output 011: reserved 100: SDIO 0 IO Bit 3, Input/Output 101: SPI 0 MOSI, Input/Output 110: reserved 111: UART 1 RxD, Input
L2_SEL	4:3	rw	0x0	Level 2 Mux Select 00: Level 3 Mux 01: reserved 10: reserved 11: SDIO 1 Power Control, Output
L1_SEL	2	rw	0x0	Level 1 Mux Select 0: Level 2 Mux 1: USB 1 ULPI Data Bit 1, Input/Output
L0_SEL	1	rw	0x0	Level 0 Mux Select 0: Level 1 Mux 1: reserved
TRI_ENABLE	0	rw	0x1	Operates the same as MIO_PIN_00[TRI_ENABLE]

Register ([slcr](#)) MIO\_PIN\_46

Name	MIO_PIN_46
Relative Address	0x000007B8
Absolute Address	0xF80007B8
Width	32 bits
Access Type	rw
Reset Value	0x00001601
Description	MIO Pin 46 Control

Register MIO\_PIN\_46 Details

Field Name	Bits	Type	Reset Value	Description
reserved	31:14	rw	0x0	reserved
DisableRcvr	13	rw	0x0	Operates the same as MIO_PIN_00[DisableRcvr]
PULLUP	12	rw	0x1	Operates the same as MIO_PIN_00[PULLUP]
IO_Type	11:9	rw	0x3	Operates the same as MIO_PIN_00[IO_Type]
Speed	8	rw	0x0	Operates the same as MIO_PIN_00[Speed]
L3_SEL	7:5	rw	0x0	Level 3 Mux Select 000: GPIO 46 (bank 1), Input/Output 001: CAN 0 Rx, Input 010: I2C 0 Serial Clock, Input/Output 011: PJTAG TDI, Input 100: SDIO 1 IO Bit 0, Input/Output 101: SPI 1 MOSI, Input/Output 110: reserved 111: UART 0 RxD, Input
L2_SEL	4:3	rw	0x0	Level 2 Mux Select 00: Level 3 Mux 01: reserved 10: reserved 11: SDIO 0 Power Control, Output
L1_SEL	2	rw	0x0	Level 1 Mux Select 0: Level 2 Mux 1: USB 1 ULPI Data Bit 2, Input/Output
L0_SEL	1	rw	0x0	Level 0 Mux Select 0: Level 1 Mux 1: reserved
TRI_ENABLE	0	rw	0x1	Operates the same as MIO_PIN_00[TRI_ENABLE]

Register ([slcr](#)) MIO\_PIN\_47

Name MIO\_PIN\_47  
 Relative Address 0x000007BC  
 Absolute Address 0xF80007BC  
 Width 32 bits  
 Access Type rw  
 Reset Value 0x00001601  
 Description MIO Pin 47 Control

Register MIO\_PIN\_47 Details

Field Name	Bits	Type	Reset Value	Description
reserved	31:14	rw	0x0	reserved
DisableRcvr	13	rw	0x0	Operates the same as MIO_PIN_00[DisableRcvr]
PULLUP	12	rw	0x1	Operates the same as MIO_PIN_00[PULLUP]
IO_Type	11:9	rw	0x3	Operates the same as MIO_PIN_00[IO_Type]
Speed	8	rw	0x0	Operates the same as MIO_PIN_00[Speed]
L3_SEL	7:5	rw	0x0	Level 3 Mux Select 000: GPIO 47 (bank 1), Input/Output 001: CAN 0 Tx, Output 010: I2C 0 Serial Data, Input/Output 011: PJTAG TDO, Output 100: SDIO 1 Command, Input/Output 101: SPI 1 MISO, Input/Output 110: reserved 111: UART 0 Tx/D, Output
L2_SEL	4:3	rw	0x0	Level 2 Mux Select 00: Level 3 Mux 01: reserved 10: reserved 11: SDIO 1 Power Control, Output
L1_SEL	2	rw	0x0	Level 1 Mux Select 0: Level 2 Mux 1: USB 1 ULPI Data Bit 3, Input/Output
L0_SEL	1	rw	0x0	Level 0 Mux Select 0: Level 1 Mux 1: reserved
TRI_ENABLE	0	rw	0x1	Operates the same as MIO_PIN_00[TRI_ENABLE]



Register ([slcr](#)) MIO\_PIN\_48

Name	MIO_PIN_48
Relative Address	0x000007C0
Absolute Address	0xF80007C0
Width	32 bits
Access Type	rw
Reset Value	0x00001601
Description	MIO Pin 48 Control

Register MIO\_PIN\_48 Details

Field Name	Bits	Type	Reset Value	Description
reserved	31:14	rw	0x0	reserved
DisableRcvr	13	rw	0x0	Operates the same as MIO_PIN_00[DisableRcvr]
PULLUP	12	rw	0x1	Operates the same as MIO_PIN_00[PULLUP]
IO_Type	11:9	rw	0x3	Operates the same as MIO_PIN_00[IO_Type]
Speed	8	rw	0x0	Operates the same as MIO_PIN_00[Speed]
L3_SEL	7:5	rw	0x0	Level 3 Mux Select 000: GPIO 48 (bank 1), Input/Output 001: CAN 1 Tx, Output 010: I2C 1 Serial Clock, Input/Output 011: PJTAG TCK, Input 100: SDIO 1 Clock, Input/Output 101: SPI 1 Serial Clock, Input/Output 110: reserved 111: UART 1 Tx/D, Output
L2_SEL	4:3	rw	0x0	Level 2 Mux Select 00: Level 3 Mux 01: reserved 10: reserved 11: SDIO 0 Power Control, Output
L1_SEL	2	rw	0x0	Level 1 Mux Select 0: Level 2 Mux 1: USB 1 ULPI Clock, Input/Output
L0_SEL	1	rw	0x0	Level 0 Mux Select 0: Level 1 Mux 1: reserved
TRI_ENABLE	0	rw	0x1	Operates the same as MIO_PIN_00[TRI_ENABLE]

Register ([slcr](#)) MIO\_PIN\_49

Name	MIO_PIN_49
Relative Address	0x000007C4
Absolute Address	0xF80007C4
Width	32 bits
Access Type	rw
Reset Value	0x00001601
Description	MIO Pin 49 Control

Register MIO\_PIN\_49 Details

Field Name	Bits	Type	Reset Value	Description
reserved	31:14	rw	0x0	reserved
DisableRcvr	13	rw	0x0	Operates the same as MIO_PIN_00[DisableRcvr]
PULLUP	12	rw	0x1	Operates the same as MIO_PIN_00[PULLUP]
IO_Type	11:9	rw	0x3	Operates the same as MIO_PIN_00[IO_Type]
Speed	8	rw	0x0	Operates the same as MIO_PIN_00[Speed]
L3_SEL	7:5	rw	0x0	Level 3 Mux Select 000: GPIO 49 (bank 1), Input/Output 001: CAN 1 Rx, Input 010: I2C 1 Serial Data, Input/Output 011: PJTAG TMS, Input 100: SDIO 1 IO Bit 1, Input/Output 101: SPI 1 Select 0, Input/Output 110: reserved 111: UART 1 RxD, Input
L2_SEL	4:3	rw	0x0	Level 2 Mux Select 00: Level 3 Mux 01: reserved 10: reserved 11: SDIO 1 Power Control, Output
L1_SEL	2	rw	0x0	Level 1 Mux Select 0: Level 2 Mux 1: USB 1 ULPI Data Bit 5, Input/Output
L0_SEL	1	rw	0x0	Level 0 Mux Select 0: Level 1 Mux 1: reserved
TRI_ENABLE	0	rw	0x1	Operates the same as MIO_PIN_00[TRI_ENABLE]

Register ([slcr](#)) MIO\_PIN\_50

Name	MIO_PIN_50
Relative Address	0x000007C8
Absolute Address	0xF80007C8
Width	32 bits
Access Type	rw
Reset Value	0x00001601
Description	MIO Pin 50 Control

Register MIO\_PIN\_50 Details

Field Name	Bits	Type	Reset Value	Description
reserved	31:14	rw	0x0	reserved
DisableRcvr	13	rw	0x0	Operates the same as MIO_PIN_00[DisableRcvr]
PULLUP	12	rw	0x1	Operates the same as MIO_PIN_00[PULLUP]
IO_Type	11:9	rw	0x3	Operates the same as MIO_PIN_00[IO_Type]
Speed	8	rw	0x0	Operates the same as MIO_PIN_00[Speed]
L3_SEL	7:5	rw	0x0	Level 3 Mux Select 000: GPIO 50 (bank 1), Input/Output 001: CAN 0 Rx, Input 010: I2C 0 Serial Clock, Input/Output 011: SWDT Clock, Input 100: SDIO 1 IO Bit 2, Input/Output 101: SPI 1 Slave Select 1, Output 110: reserved 111: UART 0 RxD, Input
L2_SEL	4:3	rw	0x0	Level 2 Mux Select 00: Level 3 Mux 01: reserved 10: reserved 11: SDIO 0 Power Control, Output
L1_SEL	2	rw	0x0	Level 1 Mux Select 0: Level 2 Mux 1: USB 1 ULPI Data Bit 6, Input/Output
L0_SEL	1	rw	0x0	Level 0 Mux Select 0: Level 1 Mux 1: reserved
TRI_ENABLE	0	rw	0x1	Operates the same as MIO_PIN_00[TRI_ENABLE]

Register ([slcr](#)) MIO\_PIN\_51

Name	MIO_PIN_51
Relative Address	0x000007CC
Absolute Address	0xF80007CC
Width	32 bits
Access Type	rw
Reset Value	0x00001601
Description	MIO Pin 51 Control

Register MIO\_PIN\_51 Details

Field Name	Bits	Type	Reset Value	Description
reserved	31:14	rw	0x0	reserved
DisableRcvr	13	rw	0x0	Operates the same as MIO_PIN_00[DisableRcvr]
PULLUP	12	rw	0x1	Operates the same as MIO_PIN_00[PULLUP]
IO_Type	11:9	rw	0x3	Operates the same as MIO_PIN_00[IO_Type]
Speed	8	rw	0x0	Operates the same as MIO_PIN_00[Speed]
L3_SEL	7:5	rw	0x0	Level 3 Mux Select 000: GPIO 51 (bank 1), Input/Output 001: CAN 0 Tx, Output 010: I2C 0 Serial Data, Input/Output 011: SWDT Reset, Output 100: SDIO 1 IO Bit 3, Input/Output 101: SPI 1 Slave Select 2, Output 110: reserved 111: UART 0 Tx/D, Output
L2_SEL	4:3	rw	0x0	Level 2 Mux Select 00: Level 3 Mux 01: reserved 10: reserved 11: SDIO 1 Power Control, Output
L1_SEL	2	rw	0x0	Level 1 Mux Select 0: Level 2 Mux 1: USB 1 ULPI Data Bit 7, Input/Output
L0_SEL	1	rw	0x0	Level 0 Mux Select 0: Level 1 Mux 1: reserved
TRI_ENABLE	0	rw	0x1	Operates the same as MIO_PIN_00[TRI_ENABLE]

### Register ([slcr](#)) MIO\_PIN\_52

Name	MIO_PIN_52
Relative Address	0x000007D0
Absolute Address	0xF80007D0
Width	32 bits
Access Type	rw
Reset Value	0x00001601
Description	MIO Pin 52 Control

#### Register MIO\_PIN\_52 Details

Field Name	Bits	Type	Reset Value	Description
reserved	31:14	rw	0x0	reserved
DisableRcvr	13	rw	0x0	Operates the same as MIO_PIN_00[DisableRcvr]
PULLUP	12	rw	0x1	Operates the same as MIO_PIN_00[PULLUP]
IO_Type	11:9	rw	0x3	Operates the same as MIO_PIN_00[IO_Type]
Speed	8	rw	0x0	Operates the same as MIO_PIN_00[Speed]
L3_SEL	7:5	rw	0x0	Level 3 Mux Select 000: GPIO 52 (bank 1), Input/Output 001: CAN 1 Tx, Output 010: I2C 1 Serial Clock, Input/Output 011: SWDT Clock, Input 100: MDIO 0 Clock, Output 101: MDIO 1 Clock, Output 110: reserved 111: UART 1 Tx/D, Output
L2_SEL	4:3	rw	0x0	Level 2 Mux Select 00: Level 3 Mux 01: reserved 10: reserved 11: SDIO 0 Power Control, Output
L1_SEL	2	rw	0x0	Level 1 Mux Select 0: Level 2 Mux 1: reserved
L0_SEL	1	rw	0x0	Level 0 Mux Select 0: Level 1 Mux 1: reserved
TRI_ENABLE	0	rw	0x1	Operates the same as MIO_PIN_00[TRI_ENABLE]

### Register ([slcr](#)) MIO\_PIN\_53

Name	MIO_PIN_53
Relative Address	0x000007D4
Absolute Address	0xF80007D4
Width	32 bits
Access Type	rw
Reset Value	0x00001601
Description	MIO Pin 53 Control

#### Register MIO\_PIN\_53 Details

Field Name	Bits	Type	Reset Value	Description
reserved	31:14	rw	0x0	reserved
DisableRcvr	13	rw	0x0	Operates the same as MIO_PIN_00[DisableRcvr]
PULLUP	12	rw	0x1	Operates the same as MIO_PIN_00[PULLUP]
IO_Type	11:9	rw	0x3	Operates the same as MIO_PIN_00[IO_Type]
Speed	8	rw	0x0	Operates the same as MIO_PIN_00[Speed]
L3_SEL	7:5	rw	0x0	Level 3 Mux Select 000: GPIO 53 (bank 1), Input/Output 001: CAN 1 Rx, Input 010: I2C 1 Serial Data, Input/Output 011: SWDT Reset, Output 100: MDIO 0 Data, Input/Output 101: MDIO 1 Data, Input/Output 110: reserved 111: UART 1 RxD, Input
L2_SEL	4:3	rw	0x0	Level 2 Mux Select 00: Level 3 Mux 01: reserved 10: reserved 11: SDIO 1 Power Control, Output
L1_SEL	2	rw	0x0	Level 1 Mux Select 0: Level 2 Mux 1: reserved
L0_SEL	1	rw	0x0	Level 0 Mux Select 0: Level 1 Mux 1: reserved
TRI_ENABLE	0	rw	0x1	Operates the same as MIO_PIN_00[TRI_ENABLE]

### Register ([slcr](#)) MIO\_LOOPBACK

Name	MIO_LOOPBACK
Relative Address	0x00000804
Absolute Address	0xF8000804
Width	32 bits
Access Type	rw
Reset Value	0x00000000
Description	Loopback function within MIO

#### Register MIO\_LOOPBACK Details

Field Name	Bits	Type	Reset Value	Description
reserved	31:4	rw	0x0	reserved
I2C0_LOOP_I2C1	3	rw	0x0	I2C Loopback Control. 0 = Connect I2C inputs according to MIO mapping. 1 = Loop I2C 0 outputs to I2C 1 inputs, and I2C 1 outputs to I2C 0 inputs.
CAN0_LOOP_CAN1	2	rw	0x0	CAN Loopback Control. 0 = Connect CAN inputs according to MIO mapping. 1 = Loop CAN 0 Tx to CAN 1 Rx, and CAN 1 Tx to CAN 0 Rx.
UA0_LOOP_UA1	1	rw	0x0	UART Loopback Control. 0 = Connect UART inputs according to MIO mapping. 1 = Loop UART 0 outputs to UART 1 inputs, and UART 1 outputs to UART 0 inputs. RXD/TXD cross-connected. RTS/CTS cross-connected. DSR, DTR, DCD and RI not used.
SPI0_LOOP_SPI1	0	rw	0x0	SPI Loopback Control. 0 = Connect SPI inputs according to MIO mapping. 1 = Loop SPI 0 outputs to SPI 1 inputs, and SPI 1 outputs to SPI 0 inputs. The other SPI core will appear on the LS Slave Select.

## Register ([slcr](#)) MIO\_MST\_TRI0

Name	MIO_MST_TRI0
Relative Address	0x0000080C
Absolute Address	0xF800080C
Width	32 bits
Access Type	rw
Reset Value	0xFFFFFFFF
Description	MIO pin Tri-state Enables, 31:0

### Register MIO\_MST\_TRI0 Details

Parallel access to the master tri-state enables for MIO pins

Field Name	Bits	Type	Reset Value	Description
PIN_31_TRI	31	rw	0x1	Master Tri-state Enable for pin 31, active high
PIN_30_TRI	30	rw	0x1	Master Tri-state Enable for pin 30, active high
PIN_29_TRI	29	rw	0x1	Master Tri-state Enable for pin 29, active high
PIN_28_TRI	28	rw	0x1	Master Tri-state Enable for pin 28, active high
PIN_27_TRI	27	rw	0x1	Master Tri-state Enable for pin 27, active high
PIN_26_TRI	26	rw	0x1	Master Tri-state Enable for pin 26, active high
PIN_25_TRI	25	rw	0x1	Master Tri-state Enable for pin 25, active high
PIN_24_TRI	24	rw	0x1	Master Tri-state Enable for pin 24, active high
PIN_23_TRI	23	rw	0x1	Master Tri-state Enable for pin 23, active high
PIN_22_TRI	22	rw	0x1	Master Tri-state Enable for pin 22, active high
PIN_21_TRI	21	rw	0x1	Master Tri-state Enable for pin 21, active high
PIN_20_TRI	20	rw	0x1	Master Tri-state Enable for pin 20, active high
PIN_19_TRI	19	rw	0x1	Master Tri-state Enable for pin 19, active high
PIN_18_TRI	18	rw	0x1	Master Tri-state Enable for pin 18, active high
PIN_17_TRI	17	rw	0x1	Master Tri-state Enable for pin 17, active high
PIN_16_TRI	16	rw	0x1	Master Tri-state Enable for pin 16, active high
PIN_15_TRI	15	rw	0x1	Master Tri-state Enable for pin 15, active high
PIN_14_TRI	14	rw	0x1	Master Tri-state Enable for pin 14, active high
PIN_13_TRI	13	rw	0x1	Master Tri-state Enable for pin 13, active high
PIN_12_TRI	12	rw	0x1	Master Tri-state Enable for pin 12, active high
PIN_11_TRI	11	rw	0x1	Master Tri-state Enable for pin 11, active high
PIN_10_TRI	10	rw	0x1	Master Tri-state Enable for pin 10, active high
PIN_09_TRI	9	rw	0x1	Master Tri-state Enable for pin 9, active high



Field Name	Bits	Type	Reset Value	Description
PIN_08_TRI	8	rw	0x1	Master Tri-state Enable for pin 8, active high
PIN_07_TRI	7	rw	0x1	Master Tri-state Enable for pin 7, active high
PIN_06_TRI	6	rw	0x1	Master Tri-state Enable for pin 6, active high
PIN_05_TRI	5	rw	0x1	Master Tri-state Enable for pin 5, active high
PIN_04_TRI	4	rw	0x1	Master Tri-state Enable for pin 4, active high
PIN_03_TRI	3	rw	0x1	Master Tri-state Enable for pin 3, active high
PIN_02_TRI	2	rw	0x1	Master Tri-state Enable for pin 2, active high
PIN_01_TRI	1	rw	0x1	Master Tri-state Enable for pin 1, active high
PIN_00_TRI	0	rw	0x1	Master Tri-state Enable for pin 0, active high

### Register ([slcr](#)) MIO\_MST\_TRI1

Name	MIO_MST_TRI1
Relative Address	0x00000810
Absolute Address	0xF8000810
Width	32 bits
Access Type	rw
Reset Value	0x003FFFFFF
Description	MIO pin Tri-state Enables, 53:32

#### Register MIO\_MST\_TRI1 Details

Parallel access to the master tri-state enables for MIO pins

Field Name	Bits	Type	Reset Value	Description
reserved	31:22	rw	0x0	reserved
PIN_53_TRI	21	rw	0x1	Master Tri-state Enable for pin 53, active high
PIN_52_TRI	20	rw	0x1	Master Tri-state Enable for pin 52, active high
PIN_51_TRI	19	rw	0x1	Master Tri-state Enable for pin 51, active high
PIN_50_TRI	18	rw	0x1	Master Tri-state Enable for pin 50, active high
PIN_49_TRI	17	rw	0x1	Master Tri-state Enable for pin 49, active high
PIN_48_TRI	16	rw	0x1	Master Tri-state Enable for pin 48, active high
PIN_47_TRI	15	rw	0x1	Master Tri-state Enable for pin 47, active high
PIN_46_TRI	14	rw	0x1	Master Tri-state Enable for pin 46, active high
PIN_45_TRI	13	rw	0x1	Master Tri-state Enable for pin 45, active high
PIN_44_TRI	12	rw	0x1	Master Tri-state Enable for pin 44, active high

Field Name	Bits	Type	Reset Value	Description
PIN_43_TRI	11	rw	0x1	Master Tri-state Enable for pin 43, active high
PIN_42_TRI	10	rw	0x1	Master Tri-state Enable for pin 42, active high
PIN_41_TRI	9	rw	0x1	Master Tri-state Enable for pin 41, active high
PIN_40_TRI	8	rw	0x1	Master Tri-state Enable for pin 40, active high
PIN_39_TRI	7	rw	0x1	Master Tri-state Enable for pin 39, active high
PIN_38_TRI	6	rw	0x1	Master Tri-state Enable for pin 38, active high
PIN_37_TRI	5	rw	0x1	Master Tri-state Enable for pin 37, active high
PIN_36_TRI	4	rw	0x1	Master Tri-state Enable for pin 36, active high
PIN_35_TRI	3	rw	0x1	Master Tri-state Enable for pin 35, active high
PIN_34_TRI	2	rw	0x1	Master Tri-state Enable for pin 34, active high
PIN_33_TRI	1	rw	0x1	Master Tri-state Enable for pin 33, active high
PIN_32_TRI	0	rw	0x1	Master Tri-state Enable for pin 32, active high

### Register ([slcr](#)) SD0\_WP\_CD\_SEL

Name	SD0_WP_CD_SEL
Relative Address	0x00000830
Absolute Address	0xF8000830
Width	32 bits
Access Type	rw
Reset Value	0x00000000
Description	SDIO 0 WP CD select

### Register SD0\_WP\_CD\_SEL Details

Field Name	Bits	Type	Reset Value	Description
reserved	31:22	rw	0x0	reserved
SDIO0_CD_SEL	21:16	rw	0x0	SDIO 0 CD Select. Values 53:0 select MIO input (any pin except bits 7 and 8) Values 63:54 select EMIO input
reserved	15:6	rw	0x0	reserved
SDIO0_WP_SEL	5:0	rw	0x0	SDIO 0 WP Select. Values 53:0 select MIO input (any pin except 7 and 8) Values 63:54 select EMIO input

Register ([slcr](#)) SD1\_WP\_CD\_SEL

Name SD1\_WP\_CD\_SEL  
 Relative Address 0x00000834  
 Absolute Address 0xF8000834  
 Width 32 bits  
 Access Type rw  
 Reset Value 0x00000000  
 Description SDIO 1 WP CD select

Register SD1\_WP\_CD\_SEL Details

Field Name	Bits	Type	Reset Value	Description
reserved	31:22	rw	0x0	reserved
SDIO1_CD_SEL	21:16	rw	0x0	SDIO 1 CD Select. Values 53:0 select MIO input (any pin except bits 7 and 8) Values 63:54 select EMIO input
reserved	15:6	rw	0x0	reserved
SDIO1_WP_SEL	5:0	rw	0x0	SDIO 1 WP Select. Values 53:0 select MIO input (any pin except 7 and 8) Values 63:54 select EMIO input

Register ([slcr](#)) LVL\_SHFTR\_EN

Name LVL\_SHFTR\_EN  
 Relative Address 0x00000900  
 Absolute Address 0xF8000900  
 Width 32 bits  
 Access Type rw  
 Reset Value 0x00000000  
 Description Level Shifters Enable

Register LVL\_SHFTR\_EN Details

Field Name	Bits	Type	Reset Value	Description
reserved	31:5	rw	0x0	Reserved. Writes are ignored, read data is zero.

Field Name	Bits	Type	Reset Value	Description
reserved	4	rw	0x0	Reserved. Do not modify.
USER_LVL_SHFTR_EN	3:0	rw	0x0	Level shifter enable to drive signals between PS and PL. 0x0 = disable all level shifters 0xA = enable PS-to-PL level shifters 0xF = enable all level shifters All other = reserved

### Register ([slcr](#)) OCM\_CFG

Name	OCM_CFG
Relative Address	0x00000910
Absolute Address	0xF8000910
Width	32 bits
Access Type	rw
Reset Value	0x00000000
Description	OCM Address Mapping

#### Register OCM\_CFG Details

Field Name	Bits	Type	Reset Value	Description
reserved	31:5	rw	0x0	Reserved. Writes are ignored, read data is zero.
reserved	4	rw	0x0	Reserved. Do not modify.
RAM_HI	3:0	rw	0x0	Maps the OCM RAM (in 64 KB sections) to the high or low address space: 0: low address. 1: high address. RAM_HI [0] is first 64 KB RAM_HI [1] is second 64 KB RAM_HI [2] is third 64 KB RAM_HI [3] is fourth 64 KB Refer to the OCM chapter for more details.

### Register ([slcr](#)) Reserved

Name	Reserved
Relative Address	0x00000A1C
Absolute Address	0xF8000A1C
Width	32 bits

Access Type                rw  
 Reset Value                0x00010101  
 Description                 Reserved

### Register Reserved Details

Field Name	Bits	Type	Reset Value	Description
reserved	23:22	rw	0x0	Reserved. Do not modify.
reserved	21	rw	0x0	Reserved. Do not modify.
reserved	20:19	rw	0x0	Reserved. Do not modify.
reserved	18:16	rw	0x1	Must be set to 2. Any other value including the reset value may lead to undefined behavior.
reserved	15:14	rw	0x0	Reserved. Do not modify.
reserved	13	rw	0x0	Reserved. Do not modify.
reserved	12:11	rw	0x0	Reserved. Do not modify.
reserved	10:8	rw	0x1	Must be set to 2. Any other value including the reset value may lead to undefined behavior.
reserved	7:6	rw	0x0	Reserved. Do not modify.
reserved	5	rw	0x0	Reserved. Do not modify.
reserved	4:3	rw	0x0	Reserved. Do not modify.
reserved	2:0	rw	0x1	Must be set to 2. Any other value including the reset value may lead to undefined behavior.

### Register ([slcr](#)) GPIOB\_CTRL

Name                        GPIOB\_CTRL  
 Relative Address            0x00000B00  
 Absolute Address            0xF8000B00  
 Width                        32 bits  
 Access Type                rw  
 Reset Value                 0x00000000  
 Description                 PS IO Buffer Control

Register GPIOB\_CTRL Details

Field Name	Bits	Type	Reset Value	Description
reserved	31:12	rw	0x0	Reserved. Writes are ignored, read data is zero.
VREF_SW_EN	11	rw	0x0	Enables the VREF switch 0: internal 1: external
reserved	10	rw	0x0	Reserved. Do not modify.
reserved	9	rw	0x0	Reserved. Do not modify.
reserved	8	rw	0x0	Reserved. Do not modify.
reserved	7	rw	0x0	Reserved. Do not modify.
VREF_SEL	6:4	rw	0x0	Specifies GPIO VREF Selection 000: VREF = Disabled 001: VREF = 0.9V Other values reserved
reserved	3	rw	0x0	Reserved. Do not modify.
reserved	2	rw	0x0	Reserved. Do not modify.
reserved	1	rw	0x0	Reserved. Do not modify.
VREF_EN	0	rw	0x0	Enables VREF internal generator

Register ([slcr](#)) GPIOB\_CFG\_CMOS18

Name	GPIOB_CFG_CMOS18
Relative Address	0x0000B04
Absolute Address	0xF800B04
Width	32 bits
Access Type	rw
Reset Value	0x00000000
Description	MIO GPIOB CMOS 1.8V config

Register GPIOB\_CFG\_CMOS18 Details

The only allowed values for this register are 0x00000000 (reset value) and 0x0C301166 (normal operation)

Field Name	Bits	Type	Reset Value	Description
reserved	31:28	rw	0x0	Reserved. Writes are ignored, read data is zero.
reserved	27:25	rw	0x0	Reserved. Do not modify.
reserved	24:22	rw	0x0	Reserved. Do not modify.
reserved	21:19	rw	0x0	Reserved. Do not modify.

Field Name	Bits	Type	Reset Value	Description
reserved	18:16	rw	0x0	Reserved. Do not modify.
reserved	15:12	rw	0x0	Reserved. Do not modify.
reserved	11:8	rw	0x0	Reserved. Do not modify.
reserved	7:4	rw	0x0	Reserved. Do not modify.
reserved	3:0	rw	0x0	Reserved. Do not modify.

### Register ([slcr](#)) GPIOB\_CFG\_CMOS25

Name	GPIOB_CFG_CMOS25
Relative Address	0x0000B08
Absolute Address	0xF800B08
Width	32 bits
Access Type	rw
Reset Value	0x00000000
Description	MIO GPIOB CMOS 2.5V config

#### Register GPIOB\_CFG\_CMOS25 Details

The only allowed values for this register are 0x00000000 (reset value) and 0x0C301100 (normal operation)

Field Name	Bits	Type	Reset Value	Description
reserved	31:28	rw	0x0	Reserved. Writes are ignored, read data is zero.
reserved	27:25	rw	0x0	Reserved. Do not modify.
reserved	24:22	rw	0x0	Reserved. Do not modify.
reserved	21:19	rw	0x0	Reserved. Do not modify.
reserved	18:16	rw	0x0	Reserved. Do not modify.
reserved	15:12	rw	0x0	Reserved. Do not modify.
reserved	11:8	rw	0x0	Reserved. Do not modify.
reserved	7:4	rw	0x0	Reserved. Do not modify.
reserved	3:0	rw	0x0	Reserved. Do not modify.

### Register ([slcr](#)) GPIOB\_CFG\_CMOS33

Name	GPIOB_CFG_CMOS33
Relative Address	0x0000B0C
Absolute Address	0xF800B0C
Width	32 bits

Access Type                rw  
 Reset Value               0x00000000  
 Description                MIO GPIOB CMOS 3.3V config

**Register GPIOB\_CFG\_CMOS33 Details**

The only allowed values for this register are 0x00000000 (reset value) and 0x0C301166 (normal operation)

Field Name	Bits	Type	Reset Value	Description
reserved	31:28	rw	0x0	Reserved. Writes are ignored, read data is zero.
reserved	27:25	rw	0x0	Reserved. Do not modify.
reserved	24:22	rw	0x0	Reserved. Do not modify.
reserved	21:19	rw	0x0	Reserved. Do not modify.
reserved	18:16	rw	0x0	Reserved. Do not modify.
reserved	15:12	rw	0x0	Reserved. Do not modify.
reserved	11:8	rw	0x0	Reserved. Do not modify.
reserved	7:4	rw	0x0	Reserved. Do not modify.
reserved	3:0	rw	0x0	Reserved. Do not modify.

**Register ([slcr](#)) GPIOB\_CFG\_HSTL**

Name                        GPIOB\_CFG\_HSTL  
 Relative Address           0x00000B14  
 Absolute Address          0xF8000B14  
 Width                       32 bits  
 Access Type                rw  
 Reset Value                0x00000000  
 Description                MIO GPIOB HSTL config

**Register GPIOB\_CFG\_HSTL Details**

The only allowed values for this register are 0x00000000 (reset value) and 0x0C750077 (normal operation).

You must provide a VREF or use the internal VREF generator.

When setting the input to HSTL, you must ensure that

VCCO\_MIO is below 1.8V. If not, this will lead to long term damage to the IO.

Field Name	Bits	Type	Reset Value	Description
reserved	31:28	rw	0x0	Reserved. Writes are ignored, read data is zero.
reserved	27:25	rw	0x0	Reserved. Do not modify.
reserved	24:22	rw	0x0	Reserved. Do not modify.



Field Name	Bits	Type	Reset Value	Description
reserved	21:19	rw	0x0	Reserved. Do not modify.
reserved	18:16	rw	0x0	Reserved. Do not modify.
reserved	15:12	rw	0x0	Reserved. Do not modify.
reserved	11:8	rw	0x0	Reserved. Do not modify.
reserved	7:4	rw	0x0	Reserved. Do not modify.
reserved	3:0	rw	0x0	Reserved. Do not modify.

### Register ([slcr](#)) GPIOB\_DRVR\_BIAS\_CTRL

Name	GPIOB_DRVR_BIAS_CTRL
Relative Address	0x00000B18
Absolute Address	0xF8000B18
Width	32 bits
Access Type	mixed
Reset Value	0x00000000
Description	MIO GPIOB Driver Bias Control

#### Register GPIOB\_DRVR\_BIAS\_CTRL Details

Field Name	Bits	Type	Reset Value	Description
RB_VCFG	31	ro	0x0	Right Bank VCFG (Read Only)
RB_DRVR_BIAS	30:16	rw	0x0	Right Bank driver bias control
LB_VCFG	15	ro	0x0	Left Bank VCFG (Read Only)
LB_DRVR_BIAS	14:0	rw	0x0	Left Bank driver bias control

### Register ([slcr](#)) DDRIOB\_ADDR0

Name	DDRIOB_ADDR0
Relative Address	0x00000B40
Absolute Address	0xF8000B40
Width	32 bits
Access Type	rw
Reset Value	0x00000800
Description	DDR IOB Config for A[14:0], CKE and DRST_B

## Register DDRIOB\_ADDR0 Details

Field Name	Bits	Type	Reset Value	Description
reserved	31:12	rw	0x0	Reserved
PULLUP_EN	11	rw	0x1	enables pullup on output 0: no pullup 1: pullup enabled
OUTPUT_EN	10:9	rw	0x0	Enables output mode to enable output ties to 00: ibuf 01 and 10: reserved 11: obuf
TERM_DISABLE_MODE	8	rw	0x0	Termination is used during read transactions and may be disabled (automatically by hardware) when there are no reads taking place through the DDR Interface. Disabling termination reduces power consumption. 0: termination always enabled 1: use 'dynamic_dci_ts' to disable termination when not in use NOTE: This bit must be 0 during DRAM init/training. It may be set to 1 after init/training completes.
IBUF_DISABLE_MODE	7	rw	0x0	Use ibuf_disable_into control ibuf 0: ibuf is enabled 1: use ibuf_disable_in_to control enable NOTE: This must be 0 during DRAM init/training and can only be set to 1 after init/training completes.
DCI_TYPE	6:5	rw	0x0	DCI Mode Selection: 00: DCI Disabled (DDR2/3L ADDR and CLOCK) 01: DCI Drive (LPDDR2) 10: reserved 11: DCI Termination (DDR2/3/3L DATA and DIFF)
TERM_EN	4	rw	0x0	Tri State Termination Enable: 0: disable 1: enable
DCI_UPDATE_B	3	rw	0x0	DCI Update Enable: 0: disable 1: enable

Field Name	Bits	Type	Reset Value	Description
INP_TYPE	2:1	rw	0x0	Input buffer control: 00: Input off (input signal to selected controller is driven Low). 01: Vref based differential receiver for SSTL, HSTL. 10: Differential input receiver. 11: LVCMOS receiver.
reserved	0	rw	0x0	Reserved. Do not modify.

### Register ([slcr](#)) DDRIOB\_ADDR1

Name	DDRIOB_ADDR1
Relative Address	0x00000B44
Absolute Address	0xF8000B44
Width	32 bits
Access Type	rw
Reset Value	0x00000800
Description	DDR IOB Config for BA[2:0], ODT, CS_B, WE_B, RAS_B and CAS_B

#### Register DDRIOB\_ADDR1 Details

Field Name	Bits	Type	Reset Value	Description
reserved	31:12	rw	0x0	Reserved
PULLUP_EN	11	rw	0x1	enables pullup on output 0: no pullup 1: pullup enabled
OUTPUT_EN	10:9	rw	0x0	Enables output mode to enable output ties to 00: ibuf 01 and 10: reserved 11: obuf
TERM_DISABLE_MODE	8	rw	0x0	Termination is used during read transactions and may be disabled (automatically by hardware) when there are no reads taking place through the DDR Interface. Disabling termination reduces power consumption. 0: termination always enabled 1: use 'dynamic_dci_ts' to disable termination when not in use NOTE: This bit must be 0 during DRAM init/training. It may be set to 1 after init/training completes.

Field Name	Bits	Type	Reset Value	Description
IBUF_DISABLE_MOD E	7	rw	0x0	Use ibuf_disable_into control ibuf 0: ibuf is enabled 1: use ibuf_disable_in_to control enable NOTE: This must be 0 during DRAM init/training and can only be set to 1 after init/training completes.
DCI_TYPE	6:5	rw	0x0	DCI Mode Selection: 00: DCI Disabled (DDR2/3L ADDR and CLOCK) 01: DCI Drive (LPDDR2) 10: reserved 11: DCI Termination (DDR2/3/3L DATA and DIFF)
TERM_EN	4	rw	0x0	Tri State Termination Enable: 0: disable 1: enable
DCI_UPDATE_B	3	rw	0x0	DCI Update Enable: 0: disable 1: enable
INP_TYPE	2:1	rw	0x0	Input buffer control: 00: Input off (input signal to selected controller is driven Low). 01: Vref based differential receiver for SSTL, HSTL. 10: Differential input receiver. 11: LVCMOS receiver.
reserved	0	rw	0x0	Reserved. Do not modify.

### Register ([slcr](#)) DDRIOB\_DATA0

Name	DDRIOB_DATA0
Relative Address	0x00000B48
Absolute Address	0xF8000B48
Width	32 bits
Access Type	rw
Reset Value	0x00000800
Description	DDR IOB Config for Data 15:0

## Register DDRIOB\_DATA0 Details

Field Name	Bits	Type	Reset Value	Description
reserved	31:12	rw	0x0	Reserved
PULLUP_EN	11	rw	0x1	enables pullup on output 0: no pullup 1: pullup enabled
OUTPUT_EN	10:9	rw	0x0	Enables output mode to enable output ties to 00: ibuf 01 and 10: reserved 11: obuf
TERM_DISABLE_MODE	8	rw	0x0	Termination is used during read transactions and may be disabled (automatically by hardware) when there are no reads taking place through the DDR Interface. Disabling termination reduces power consumption. 0: termination always enabled 1: use 'dynamic_dci_ts' to disable termination when not in use NOTE: This bit must be 0 during DRAM init/training. It may be set to 1 after init/training completes.
IBUF_DISABLE_MODE	7	rw	0x0	Use ibuf_disable_into control ibuf 0: ibuf is enabled 1: use ibuf_disable_in_to control enable NOTE: This must be 0 during DRAM init/training and can only be set to 1 after init/training completes.
DCI_TYPE	6:5	rw	0x0	DCI Mode Selection: 00: DCI Disabled (DDR2/3L ADDR and CLOCK) 01: DCI Drive (LPDDR2) 10: reserved 11: DCI Termination (DDR2/3/3L DATA and DIFF)
TERM_EN	4	rw	0x0	Tri State Termination Enable: 0: disable 1: enable
DCI_UPDATE_B	3	rw	0x0	DCI Update Enable: 0: disable 1: enable

Field Name	Bits	Type	Reset Value	Description
INP_TYPE	2:1	rw	0x0	Input buffer control: 00: Input off (input signal to selected controller is driven Low). 01: Vref based differential receiver for SSTL, HSTL. 10: Differential input receiver. 11: LVCMOS receiver.
reserved	0	rw	0x0	Reserved. Do not modify.

### Register ([slcr](#)) DDRIOB\_DATA1

Name	DDRIOB_DATA1
Relative Address	0x00000B4C
Absolute Address	0xF8000B4C
Width	32 bits
Access Type	rw
Reset Value	0x00000800
Description	DDR IOB Config for Data 31:16

#### Register DDRIOB\_DATA1 Details

Field Name	Bits	Type	Reset Value	Description
reserved	31:12	rw	0x0	Reserved
PULLUP_EN	11	rw	0x1	enables pullup on output 0: no pullup 1: pullup enabled
OUTPUT_EN	10:9	rw	0x0	Enables output mode to enable output ties to 00: ibuf 01 and 10: reserved 11: obuf
TERM_DISABLE_MODE	8	rw	0x0	Termination is used during read transactions and may be disabled (automatically by hardware) when there are no reads taking place through the DDR Interface. Disabling termination reduces power consumption. 0: termination always enabled 1: use 'dynamic_dci_ts' to disable termination when not in use NOTE: This bit must be 0 during DRAM init/training. It may be set to 1 after init/training completes.

Field Name	Bits	Type	Reset Value	Description
IBUF_DISABLE_MOD E	7	rw	0x0	Use ibuf_disable_into control ibuf 0: ibuf is enabled 1: use ibuf_disable_in_to control enable NOTE: This must be 0 during DRAM init/training and can only be set to 1 after init/training completes.
DCI_TYPE	6:5	rw	0x0	DCI Mode Selection: 00: DCI Disabled (DDR2/3L ADDR and CLOCK) 01: DCI Drive (LPDDR2) 10: reserved 11: DCI Termination (DDR2/3/3L DATA and DIFF)
TERM_EN	4	rw	0x0	Tri State Termination Enable: 0: disable 1: enable
DCI_UPDATE_B	3	rw	0x0	DCI Update Enable: 0: disable 1: enable
INP_TYPE	2:1	rw	0x0	Input buffer control: 00: Input off (input signal to selected controller is driven Low). 01: Vref based differential receiver for SSTL, HSTL. 10: Differential input receiver. 11: LVCMOS receiver.
reserved	0	rw	0x0	Reserved. Do not modify.

### Register ([slcr](#)) DDRIOB\_DIFF0

Name	DDRIOB_DIFF0
Relative Address	0x00000B50
Absolute Address	0xF8000B50
Width	32 bits
Access Type	rw
Reset Value	0x00000800
Description	DDR IOB Config for DQS 1:0

## Register DDRIOB\_DIFF0 Details

Field Name	Bits	Type	Reset Value	Description
reserved	31:12	rw	0x0	Reserved
PULLUP_EN	11	rw	0x1	enables pullup on output 0: no pullup 1: pullup enabled
OUTPUT_EN	10:9	rw	0x0	Enables output mode to enable output ties to 00: ibuf 01 and 10: reserved 11: obuf
TERM_DISABLE_MODE	8	rw	0x0	Termination is used during read transactions and may be disabled (automatically by hardware) when there are no reads taking place through the DDR Interface. Disabling termination reduces power consumption. 0: termination always enabled 1: use 'dynamic_dci_ts' to disable termination when not in use NOTE: This bit must be 0 during DRAM init/training. It may be set to 1 after init/training completes.
IBUF_DISABLE_MODE	7	rw	0x0	Use ibuf_disable_into control ibuf 0: ibuf is enabled 1: use ibuf_disable_in_to control enable NOTE: This must be 0 during DRAM init/training and can only be set to 1 after init/training completes.
DCI_TYPE	6:5	rw	0x0	DCI Mode Selection: 00: DCI Disabled (DDR2/3L ADDR and CLOCK) 01: DCI Drive (LPDDR2) 10: reserved 11: DCI Termination (DDR2/3/3L DATA and DIFF)
TERM_EN	4	rw	0x0	Tri State Termination Enable: 0: disable 1: enable
DCI_UPDATE_B	3	rw	0x0	DCI Update Enable: 0: disable 1: enable



Field Name	Bits	Type	Reset Value	Description
INP_TYPE	2:1	rw	0x0	Input buffer control: 00: Input off (input signal to selected controller is driven Low). 01: Vref based differential receiver for SSTL, HSTL. 10: Differential input receiver. 11: LVCMOS receiver.
reserved	0	rw	0x0	Reserved. Do not modify.

### Register ([slcr](#)) DDRIOB\_DIFF1

Name	DDRIOB_DIFF1
Relative Address	0x00000B54
Absolute Address	0xF8000B54
Width	32 bits
Access Type	rw
Reset Value	0x00000800
Description	DDR IOB Config for DQS 3:2

#### Register DDRIOB\_DIFF1 Details

Field Name	Bits	Type	Reset Value	Description
reserved	31:12	rw	0x0	Reserved
PULLUP_EN	11	rw	0x1	enables pullup on output 0: no pullup 1: pullup enabled
OUTPUT_EN	10:9	rw	0x0	Enables output mode to enable output ties to 00: ibuf 01 and 10: reserved 11: obuf
TERM_DISABLE_MODE	8	rw	0x0	Termination is used during read transactions and may be disabled (automatically by hardware) when there are no reads taking place through the DDR Interface. Disabling termination reduces power consumption. 0: termination always enabled 1: use 'dynamic_dci_ts' to disable termination when not in use NOTE: This bit must be 0 during DRAM init/training. It may be set to 1 after init/training completes.

Field Name	Bits	Type	Reset Value	Description
IBUF_DISABLE_MOD E	7	rw	0x0	Use ibuf_disable_into control ibuf 0: ibuf is enabled 1: use ibuf_disable_in_to control enable NOTE: This must be 0 during DRAM init/training and can only be set to 1 after init/training completes.
DCI_TYPE	6:5	rw	0x0	DCI Mode Selection: 00: DCI Disabled (DDR2/3L ADDR and CLOCK) 01: DCI Drive (LPDDR2) 10: reserved 11: DCI Termination (DDR2/3/3L DATA and DIFF)
TERM_EN	4	rw	0x0	Tri State Termination Enable: 0: disable 1: enable
DCI_UPDATE_B	3	rw	0x0	DCI Update Enable: 0: disable 1: enable
INP_TYPE	2:1	rw	0x0	Input buffer control: 00: Input off (input signal to selected controller is driven Low). 01: Vref based differential receiver for SSTL, HSTL. 10: Differential input receiver. 11: LVCMOS receiver.
reserved	0	rw	0x0	Reserved. Do not modify.

### Register ([slcr](#)) DDRIOB\_CLOCK

Name	DDRIOB_CLOCK
Relative Address	0x00000B58
Absolute Address	0xF8000B58
Width	32 bits
Access Type	rw
Reset Value	0x00000800
Description	DDR IOB Config for Clock Output

## Register DDRIOB\_CLOCK Details

Field Name	Bits	Type	Reset Value	Description
reserved	31:12	rw	0x0	Reserved
PULLUP_EN	11	rw	0x1	enables pullup on output 0: no pullup 1: pullup enabled
OUTPUT_EN	10:9	rw	0x0	Enables output mode to enable output ties to 00: ibuf 01 and 10: reserved 11: obuf
TERM_DISABLE_MODE	8	rw	0x0	Termination is used during read transactions and may be disabled (automatically by hardware) when there are no reads taking place through the DDR Interface. Disabling termination reduces power consumption. 0: termination always enabled 1: use 'dynamic_dci_ts' to disable termination when not in use NOTE: This bit must be 0 during DRAM init/training. It may be set to 1 after init/training completes.
IBUF_DISABLE_MODE	7	rw	0x0	Use ibuf_disable_into control ibuf 0: ibuf is enabled 1: use ibuf_disable_in_to control enable NOTE: This must be 0 during DRAM init/training and can only be set to 1 after init/training completes.
DCI_TYPE	6:5	rw	0x0	DCI Mode Selection: 00: DCI Disabled (DDR2/3L ADDR and CLOCK) 01: DCI Drive (LPDDR2) 10: reserved 11: DCI Termination (DDR2/3/3L DATA and DIFF)
TERM_EN	4	rw	0x0	Tri State Termination Enable: 0: disable 1: enable
DCI_UPDATE_B	3	rw	0x0	DCI Update Enable: 0: disable 1: enable

Field Name	Bits	Type	Reset Value	Description
INP_TYPE	2:1	rw	0x0	Input buffer control: 00: Input off (input signal to selected controller is driven Low). 01: Vref based differential receiver for SSTL, HSTL. 10: Differential input receiver. 11: LVCMOS receiver.
reserved	0	rw	0x0	Reserved. Do not modify.

### Register ([slcr](#)) DDRIOB\_DRIVE\_SLEW\_ADDR

Name	DDRIOB_DRIVE_SLEW_ADDR
Relative Address	0x00000B5C
Absolute Address	0xF8000B5C
Width	32 bits
Access Type	rw
Reset Value	0x00000000
Description	Drive and Slew controls for Address and Command pins of the DDR Interface

#### Register DDRIOB\_DRIVE\_SLEW\_ADDR Details

Value of this register is computed by EDK after taking into account the Silicon Revision and DDR Standard and can be found in the initialization TCL file or FSBL code. Values other than the one computed by EDK are not supported

Field Name	Bits	Type	Reset Value	Description
reserved	31:27	rw	0x0	Reserved. Do not modify.
reserved	26:24	rw	0x0	Reserved. Do not modify.
reserved	23:19	rw	0x0	Reserved. Do not modify.
reserved	18:14	rw	0x0	Reserved. Do not modify.
reserved	13:7	rw	0x0	Reserved. Do not modify.
reserved	6:0	rw	0x0	Reserved. Do not modify.

### Register ([slcr](#)) DDRIOB\_DRIVE\_SLEW\_DATA

Name	DDRIOB_DRIVE_SLEW_DATA
Relative Address	0x00000B60
Absolute Address	0xF8000B60
Width	32 bits

Access Type                rw  
 Reset Value                0x00000000  
 Description                Drive and Slew controls for DQ pins of the DDR Interface

**Register DDRIOB\_DRIVE\_SLEW\_DATA Details**

Value of this register is computed by EDK after taking into account the Silicon Revision and DDR Standard and can be found in the initialization TCL file or FSBL code. Values other than the one computed by EDK are not supported

Field Name	Bits	Type	Reset Value	Description
reserved	31:27	rw	0x0	Reserved. Do not modify.
reserved	26:24	rw	0x0	Reserved. Do not modify.
reserved	23:19	rw	0x0	Reserved. Do not modify.
reserved	18:14	rw	0x0	Reserved. Do not modify.
reserved	13:7	rw	0x0	Reserved. Do not modify.
reserved	6:0	rw	0x0	Reserved. Do not modify.

**Register ([slcr](#)) DDRIOB\_DRIVE\_SLEW\_DIFF**

Name                        DDRIOB\_DRIVE\_SLEW\_DIFF  
 Relative Address            0x00000B64  
 Absolute Address            0xF8000B64  
 Width                        32 bits  
 Access Type                rw  
 Reset Value                0x00000000  
 Description                Drive and Slew controls for DQS pins of the DDR Interface

**Register DDRIOB\_DRIVE\_SLEW\_DIFF Details**

Value of this register is computed by EDK after taking into account the Silicon Revision and DDR Standard and can be found in the initialization TCL file or FSBL code. Values other than the one computed by EDK are not supported

Field Name	Bits	Type	Reset Value	Description
reserved	31:27	rw	0x0	Reserved. Do not modify.
reserved	26:24	rw	0x0	Reserved. Do not modify.
reserved	23:19	rw	0x0	Reserved. Do not modify.
reserved	18:14	rw	0x0	Reserved. Do not modify.
reserved	13:7	rw	0x0	Reserved. Do not modify.
reserved	6:0	rw	0x0	Reserved. Do not modify.

### Register ([slcr](#)) DDRIOB\_DRIVE\_SLEW\_CLOCK

Name	DDRIOB_DRIVE_SLEW_CLOCK
Relative Address	0x00000B68
Absolute Address	0xF8000B68
Width	32 bits
Access Type	rw
Reset Value	0x00000000
Description	Drive and Slew controls for Clock pins of the DDR Interface

#### Register DDRIOB\_DRIVE\_SLEW\_CLOCK Details

Value of this register is computed by EDK after taking into account the Silicon Revision and DDR Standard and can be found in the initialization TCL file or FSBL code. Values other than the one computed by EDK are not supported

Field Name	Bits	Type	Reset Value	Description
reserved	31:27	rw	0x0	Reserved. Do not modify.
reserved	26:24	rw	0x0	Reserved. Do not modify.
reserved	23:19	rw	0x0	Reserved. Do not modify.
reserved	18:14	rw	0x0	Reserved. Do not modify.
reserved	13:7	rw	0x0	Reserved. Do not modify.
reserved	6:0	rw	0x0	Reserved. Do not modify.

### Register ([slcr](#)) DDRIOB\_DDR\_CTRL

Name	DDRIOB_DDR_CTRL
Relative Address	0x00000B6C
Absolute Address	0xF8000B6C
Width	32 bits
Access Type	rw
Reset Value	0x00000000
Description	DDR IOB Buffer Control

#### Register DDRIOB\_DDR\_CTRL Details

Field Name	Bits	Type	Reset Value	Description
reserved	31:15	rw	0x0	reserved
reserved	14	rw	0x0	Reserved. Do not modify.
reserved	13	rw	0x0	Reserved. Do not modify.

Field Name	Bits	Type	Reset Value	Description
reserved	12	rw	0x0	Reserved. Do not modify.
reserved	11:10	rw	0x0	Reserved. Do not modify.
REFIO_EN	9	rw	0x0	Enables VRP,VRN 0: VRP/VRN not used 1: VRP/VRN used as refio
reserved	8:7	rw	0x0	Reserved. Do not modify.
VREF_EXT_EN	6:5	rw	0x0	Enables External VREF input x0: Disable External VREF for lower 16 bits x1: Enable External VREF for lower 16 bits 0x: Disable External VREF for upper 16 bits 1x: Enable External VREF for upper 16 bits
VREF_SEL	4:1	rw	0x0	Specifies DDR IOB Vref generator output: 0001: VREF = 0.6V for LPDDR2 with 1.2V IO 0010: VREF = 0.675V for DDR3L with 1.35V IO 0100: VREF = 0.75V for DDR3 with 1.5V IO 1000: VREF = 0.90V for DDR2 with 1.8V IO
VREF_INT_EN	0	rw	0x0	Enables VREF internal generator

### Register ([slcr](#)) DDRIOB\_DCI\_CTRL

Name	DDRIOB_DCI_CTRL
Relative Address	0x00000B70
Absolute Address	0xF8000B70
Width	32 bits
Access Type	rw
Reset Value	0x00000020
Description	DDR IOB DCI Config

#### Register DDRIOB\_DCI\_CTRL Details

Field Name	Bits	Type	Reset Value	Description
reserved	31:28	rw	0x0	Reserved. Writes are ignored, read data is zero.
reserved	27	rw	0x0	Reserved. Do not modify.
reserved	26	rw	0x0	Reserved. Do not modify.
reserved	25	rw	0x0	Reserved. Do not modify.
reserved	24	rw	0x0	Reserved. Do not modify.
reserved	23	rw	0x0	Reserved. Do not modify.

Field Name	Bits	Type	Reset Value	Description
reserved	22	rw	0x0	Reserved. Do not modify.
reserved	21	rw	0x0	Reserved. Do not modify.
UPDATE_CONTROL	20	rw	0x0	DCI Update Mode. Use the values in the Calibration Table.
PREF_OPT2	19:17	rw	0x0	DCI Calibration. Use the values in the Calibration Table.
reserved	16	rw	0x0	Reserved
PREF_OPT1	15:14	rw	0x0	DCI Calibration. Use the values in the Calibration Table.
NREF_OPT4	13:11	rw	0x0	DCI Calibration. Use the values in the Calibration Table.
NREF_OPT2	10:8	rw	0x0	DCI Calibration. Use the values in the Calibration Table.
NREF_OPT1	7:6	rw	0x0	DCI Calibration. Use the values in the Calibration Table.
reserved	5	rw	0x1	Reserved. Do not modify.
reserved	4	rw	0x0	Reserved. Do not modify.
reserved	3	rw	0x0	Reserved. Do not modify.
reserved	2	rw	0x0	Reserved. Do not modify.
ENABLE	1	rw	0x0	DCI System Enable. Set to 1 if any IOs in DDR IO Bank use DCI Termination. DDR2, DDR3, DDR3L and LPDDR2 (Silicon Revision 2.0+) configurations require this bit set to 1
RESET	0	rw	0x0	At least toggle once to initialize flops in DCI system

### Register ([slcr](#)) DDRIOB\_DCI\_STATUS

Name	DDRIOB_DCI_STATUS
Relative Address	0x00000B74
Absolute Address	0xF8000B74
Width	32 bits
Access Type	mixed
Reset Value	0x00000000
Description	DDR IO Buffer DCI Status



## Register DDRIOB\_DCI\_STATUS Details

Field Name	Bits	Type	Reset Value	Description
reserved	31:14	ro	0x0	Reserved. Writes are ignored, read data is zero.
DONE	13	rw	0x0	DCI done signal
reserved	12	rw	0x0	Reserved. Do not modify.
reserved	11	rw	0x0	Reserved. Do not modify.
reserved	10	ro	0x0	Reserved. Do not modify.
reserved	9	ro	0x0	Reserved. Do not modify.
reserved	8	ro	0x0	Reserved. Do not modify.
reserved	7	ro	0x0	Reserved. Do not modify.
reserved	6	ro	0x0	Reserved. Do not modify.
reserved	5	ro	0x0	Reserved. Do not modify.
reserved	4:3	ro	0x0	Reserved. Do not modify.
reserved	2	ro	0x0	Reserved. Do not modify.
reserved	1	ro	0x0	Reserved. Do not modify.
LOCK	0	ro	0x0	DCI Status input Read Only

## B.29 Static Memory Controller (pl353)

Module Name	Static Memory Controller (pl353)
Software Name	XNANDPS
Base Address	0xE000E000 smcc
Description	Shared memory controller
Vendor Info	

### Register Summary

Register Name	Address	Width	Type	Reset Value	Description
<a href="#">memc_status</a>	0x00000000	13	ro	0x00000000	Operating and Interrupt Status
<a href="#">memif_cfg</a>	0x00000004	18	ro	0x00011205	SMC configuration information
<a href="#">memc_cfg_set</a>	0x00000008	7	wo	x	Enable interrupts and lower power state
<a href="#">memc_cfg_clr</a>	0x0000000C	7	wo	x	Disable interrupts and exit from low-power state
<a href="#">direct_cmd</a>	0x00000010	26	wo	x	Issue mem commands and register updates
<a href="#">set_cycles</a>	0x00000014	24	wo	x	Stage a write to a Cycle register
<a href="#">set_opmode</a>	0x00000018	16	mixed	x	Stage a write to an OpMode register
<a href="#">refresh_period_0</a>	0x00000020	4	rw	0x00000000	Idle cycles between read/write bursts
<a href="#">refresh_period_1</a>	0x00000024	4	rw	0x00000000	Insert idle cycles between bursts
<a href="#">sram_cycles0_0</a>	0x00000100	21	ro	0x0002B3CC	SRAM/NOR chip select 0 timing, active
<a href="#">opmode0_0</a>	0x00000104	32	ro	0xE2FE0800	SRAM/NOR chip select 0 OpCode, active
<a href="#">sram_cycles0_1</a>	0x00000120	21	ro	0x0002B3CC	SRAM/NOR chip select 1 timing, active
<a href="#">opmode0_1</a>	0x00000124	32	ro	0xE4FE0800	SRAM/NOR chip select 1 OpCode, active
<a href="#">nand_cycles1_0</a>	0x00000180	24	ro	0x0024ABCC	NAND Flash timing, active
<a href="#">opmode1_0</a>	0x00000184	32	ro	0xE1FF0001	NAND Flash OpCode, active
<a href="#">user_status</a>	0x00000200	8	ro	0x00000000	User Status Register
<a href="#">user_config</a>	0x00000204	8	wo	x	User Configuration Register
<a href="#">ecc_status_1</a>	0x00000400	30	ro	0x00000000	ECC Status and Clear Register 1

Register Name	Address	Width	Type	Reset Value	Description
<a href="#">ecc_memcfg_1</a>	0x00000404	13	rw	0x00000043	ECC Memory Configuration Register 1
<a href="#">ecc_memcommand1_1</a>	0x00000408	25	rw	0x01300080	ECC Memory Command 1 Register 1
<a href="#">ecc_memcommand2_1</a>	0x0000040C	25	rw	0x01E00585	ECC Memory Command 2 Register 1
<a href="#">ecc_addr0_1</a>	0x00000410	32	ro	0x00000000	ECC Address 0 Register 1
<a href="#">ecc_addr1_1</a>	0x00000414	24	ro	0x00000000	ECC Address 1 Register 1
<a href="#">ecc_value0_1</a>	0x00000418	32	ro	0x00000000	ECC Value 0 Register 1
<a href="#">ecc_value1_1</a>	0x0000041C	32	ro	0x00000000	ECC Value 1 Register 1
<a href="#">ecc_value2_1</a>	0x00000420	32	ro	0x00000000	ECC Value 2 Register 1
<a href="#">ecc_value3_1</a>	0x00000424	32	ro	0x00000000	ECC Value 3 Register 1

### Register ([p1353](#)) memc\_status

Name	memc_status
Software Name	MEMC_STATUS
Relative Address	0x00000000
Absolute Address	0xE000E000
Width	13 bits
Access Type	ro
Reset Value	0x00000000
Description	Operating and Interrupt Status

#### Register memc\_status Details

The read-only memc\_status Register provides information on the configuration of the SMC and also the current state of the SMC. You cannot read this register in the Reset state

Field Name	Bits	Type	Reset Value	Description
raw_ecc_int1 (RAW_ECC_INT1)	12	ro	0x0	NAND Flash ECC interrupt raw status: 0: Not asserted 1: Asserted
reserved	11	ro	0x0	Reserved. Do not modify.
ecc_int1 (ECC_INT1)	10	ro	0x0	NAND Flash ECC interrupt status after mask/enable: 0: Not asserted 1: Asserted
reserved	9	ro	0x0	Reserved. Do not modify.

Field Name	Bits	Type	Reset Value	Description
ecc_int1_en (ECC_INT_EN1)	8	ro	0x0	NAND Flash ECC interrupt enable setting: 0: Masked 1: Enabled
reserved	7	ro	0x0	Reserved. Do not modify.
raw_int_status1 (RAW_INT_STATUS1)	6	ro	0x0	NAND Flash raw interrupt status before mask/enable: 0: Not asserted 1: Asserted
raw_int_status0 (RAW_INT_STATUS0)	5	ro	0x0	SRAM/NOR raw interrupt raw status before the mask/enable: 0: Not asserted 1: Asserted
int_status1 (INT_STATUS1)	4	ro	0x0	NAND Flash interrupt status after the mask/enable: 0: Not asserted 1: Asserted
int_status0 (INT_STATUS0)	3	ro	0x0	SRAM/NOR interrupt status after the mask/enable : 0: Not asserted 1: Asserted
int_en1 (INT_EN1)	2	ro	0x0	NAND Flash interrupt enable status: 0: Disabled 1: Enabled
int_en0 (INT_EN0)	1	ro	0x0	SRAM/NOR interface interrupt enable setting: 0: Disabled 1: Enabled
state (STATE)	0	ro	0x0	SMC operating state: 0: Normal 1: Low-power state

Register ([p1353](#)) memif\_cfg

Name	memif_cfg
Software Name	MEMC_IF_CONFIG
Relative Address	0x00000004
Absolute Address	0xE000E004
Width	18 bits
Access Type	ro
Reset Value	0x00011205

Description SMC configuration information

### Register memif\_cfg Details

Provides information on the configuration of the memory interface. You cannot read this register in the Reset state. The state of this register cannot be changed.

Field Name	Bits	Type	Reset Value	Description
exclusive_monitors (EX_MONITORS)	17:16	ro	0x1	Return the number of exclusive access monitor resources that are implemented in the SMC. B00: 0 monitors b01: 1 monitor b10: 2 monitors b11: 4 monitors
reserved	15	ro	0x0	Reserved
remap1 (REMAP1)	14	ro	0x0	Return the value of the remap_1 input.
memory_width1 (MEMORY_WIDTH1)	13:12	ro	0x1	The width of the NAND Flash interface can be 8 or 16 bits. 00: 8 Bit Interface 01: 16 Bit Interface
memory_chips1 (MEMORY_CHIPS1)	11:10	ro	0x0	The NAND Flash interface provides one chip select.
memory_type1 (MEMORY_TYPE1)	9:8	ro	0x2	SMC controller 1 supports the NAND Flash interface with hardware assisted ECC.
reserved	7	ro	0x0	Reserved
remap0 (REMAP0)	6	ro	0x0	Return the value of the remap_0 input
memory_width0 (MEMORY_WIDTH0)	5:4	ro	0x0	The width of the SRAM/NOR interface is 8 bits.
memory_chips0 (MEMORY_CHIPS0)	3:2	ro	0x1	The SRAM/NOR interface provides two chip selects. Reads as {0,1}
memory_type0 (MEMORY_TYPE0)	1:0	ro	0x1	SMC controller 0 supports the SRAM/NOR interface.

### Register ([p1353](#)) memc\_cfg\_set

Name memc\_cfg\_set  
 Software Name MEMC\_SET\_CONFIG  
 Relative Address 0x00000008  
 Absolute Address 0xE000E008

Width	7 bits
Access Type	wo
Reset Value	x
Description	Enable interrupts and lower power state

### Register memc\_cfg\_set Details

The write-only memc\_cfg\_set enables the SMC to be changed to low-power state, and interrupts enabled. You cannot write to this register in the Reset state.

Field Name	Bits	Type	Reset Value	Description
ecc_int_enable1 (ECC_INT_ENABLE1)	6	wo	x	NAND Flash ECC interrupt enable: 0: No change 1: Enable
reserved	5	wo	x	Reserved. Do not modify.
reserved	4:3	wo	x	Reserved, write as zero.
low_power_req (LOW_POWER_REQ)	2	wo	x	Put SMC into low-power mode when memory interface goes idle: 0: No change 1: Enable low-power state
int_enable1 (INT_ENABLE1)	1	wo	x	NAND Flash interrupt enable: 0: No change 1: Enable
int_enable0 (INT_ENABLE0)	0	wo	x	SRAM/NOR interrupt enable: 0: No change 1: Enable

### Register ([p1353](#)) memc\_cfg\_clr

Name	memc_cfg_clr
Software Name	MEMC_CLR_CONFIG
Relative Address	0x0000000C
Absolute Address	0xE000E00C
Width	7 bits
Access Type	wo
Reset Value	x
Description	Disable interrupts and exit from low-power state

### Register memc\_cfg\_clr Details

The write-only memc\_cfg\_clr enables the SMC to be moved out of the low-power state, and the interrupts disabled. You cannot write to this register in the Reset state.

Field Name	Bits	Type	Reset Value	Description
ecc_int_disable1 (ECC_INT_DISABLE1)	6	wo	x	NAND Flash ECC interrupt disable: 0: No change 1: Disable
reserved	5	wo	x	Reserved. Do not modify.
int_clr_1 (INT_CLR1)	4	wo	x	0: No effect 1: Clear SMC Interrupt 1 as an alternative to an AXI read
int_clr_0 (INT_CLR0)	3	wo	x	0: No effect 1: Clear SMC Interrupt 0 as an alternative to an AXI read
low_power_exit (LOW_POWER_EXIT)	2	wo	x	Exit low-power mode. The affect takes place when memory interface goes idle: 0: No change 1: Exit from low-power state
int_disable1 (INT_DISABLE1)	1	wo	x	NAND Flash interrupt disable: 0: No change 1: disable (apply mask)
int_disable0 (INT_DISABLE0)	0	wo	x	SRAM/NOR interrupt disable: 0: No change 1: disable (apply mask)

### Register ([p1353](#)) direct\_cmd

Name	direct_cmd
Software Name	DIRECT_CMD
Relative Address	0x00000010
Absolute Address	0xE000E010
Width	26 bits
Access Type	wo
Reset Value	x
Description	Issue mem commands and register updates

#### Register direct\_cmd Details

The write-only direct\_cmd passes commands to the external memory, and controls the updating of the chip configuration registers with values held in the set\_cycles Register and set\_opmode Register. You cannot write to this register in either the Reset or low-power states.

Field Name	Bits	Type	Reset Value	Description
chip_select (CHIP_SELECT)	25:23	wo	x	Select register bank to update and enable chip mode register access based on CMD_TYPE: 000: SRAM/NOR chip select 0. 001: SRAM/NOR chip select 1. 100: NAND Flash. others: reserved.
cmd_type (TYPE)	22:21	wo	x	Select the command type: 00: UpdateRegs and AXI 01: ModeReg 10: UpdateRegs 11: ModeReg and UpdateRegs
reserved	20	wo	x	Reserved. Do not modify.
addr (ADDR)	19:0	wo	x	When cmd_type = UpdateRegs and AXI then: Bits [15:0] are used to match wdata[15:0] Bits [19:16] are reserved. Write as zero. When cmd_type = ModeReg or ModeReg and UpdateRegs, these bits map to the external memory address bits [19:0]. When cmd_type = UpdateRegs, these bits are reserved. Write as zero.

### Register ([p1353](#)) set\_cycles

Name	set_cycles
Software Name	SET_CYCLES
Relative Address	0x00000014
Absolute Address	0xE000E014
Width	24 bits
Access Type	wo
Reset Value	x
Description	Stage a write to a Cycle register

#### Register set\_cycles Details

This write-only register contains values that are written to the sram\_cycles register or nand\_cycles when the SMC receives a write to the Direct Command Register. You cannot write to this register in either the Reset or low-power states.



Field Name	Bits	Type	Reset Value	Description
Set_t6 (SET_T6)	23:20	wo	x	Timing parameter for SRAM/NOR, bit 20 only (other bits are ignored): <ul style="list-style-type: none"> <li>For asynchronous multiplexed transfers this bit controls when the SMC asserts we_n:            0: assert we_n two mclk cycles after asserting cs_n.            1: assert we_n and cs_n together.</li> </ul> Timing parameter for NAND Flash, bits 23:20: <ul style="list-style-type: none"> <li>Busy to RE timing (t_rr), minimum permitted value = 0.</li> </ul>
Set_t5 (SET_T5)	19:17	wo	x	Timing parameter for SRAM/NOR: <ul style="list-style-type: none"> <li>Turnaround time (t_ta), minimum value = 1.</li> </ul> Timing parameter for NAND Flash: <ul style="list-style-type: none"> <li>ID read time (t_ar), minimum value = 0.</li> </ul>
Set_t4 (SET_T4)	16:14	wo	x	Timing parameter for SRAM/NOR: <ul style="list-style-type: none"> <li>Page cycle time (t_pc), minimum value = 1.</li> </ul> Timing parameter for NAND Flash: <ul style="list-style-type: none"> <li>Page cycle time (t_clr), minimum value = 1.</li> </ul>
Set_t3 (SET_T3)	13:11	wo	x	Timing parameter for SRAM/NOR: <ul style="list-style-type: none"> <li>Write Enable (t_wp) assertion delay, minimum value = 1.</li> </ul> Timing parameter for NAND Flash: <ul style="list-style-type: none"> <li>Write Enable (t_wp) deassertion delay, minimum value = 1.</li> </ul>
Set_t2 (SET_T2)	10:8	wo	x	Timing parameter for SRAM/NOR: <ul style="list-style-type: none"> <li>Output Enable (t_ceoe) assertion delay, minimum value = 1.</li> </ul> Timing parameter for NAND Flash: <ul style="list-style-type: none"> <li>REA (t_rea) assertion delay, minimum value = 1.</li> </ul>
Set_t1 (SET_T1)	7:4	wo	x	Timing parameter for SRAM/NOR and NAND Flash: Write cycle time, minimum value = 2.
Set_t0 (SET_T0)	3:0	wo	x	Timing parameter for SRAM/NOR and NAND Flash: Read cycle time, minimum value = 2.

Register ([p1353](#)) set\_opmode

Name set\_opmode  
 Software Name SET\_OPMODE  
 Relative Address 0x00000018

Absolute Address	0xE000E018
Width	16 bits
Access Type	mixed
Reset Value	x
Description	Stage a write to an OpMode register

### Register set\_opmode Details

This write-only register is the holding register for the opmode<x>\_<n> Registers. You cannot write to it in either the Reset or low-power states.

Field Name	Bits	Type	Reset Value	Description
reserved	15:13	wo	x	Reserved. Do not modify.
set_bls (SET_BLS)	12	wo	x	NAND Flash: reserved, write zero. SRAM/NOR: Value written to the byte lane strobe (bls) bit. This bit affects the assertion of the byte-lane strobe outputs. 0: bls timing equals chip select timing. This is the default setting. 1: bls timing equals we_n timing. This setting is used for eight memories that have no bls_n inputs. In this case, the bls_n output of the SMC is connected to the we_n memory input.
set_adv (SET_ADV)	11	wo	x	Contains the value to be written to the specific SRAM chip opmode Register address valid (adv) bit. The memory uses the address advance signal adv_n when set. For a NAND memory interface this bit is reserved, and written as zero.
set_baa (SET_BAA)	10	rw	x	NAND Flash: reserved, write zero. SRAM/NOR: Value written burst address advance (baa) bit. The memory uses the baa_n signal when set.
set_wr_bl (SET_WR_BL)	9:7	wo	x	NAND Flash: reserved, write zero. SRAM/NOR: Value written for wr_bl : 000: 1 beat 001: 4 beats 010: 8 beats 011: 16 beats 100: 32 beats 101: continuous others: reserved.
reserved	6	wo	x	Reserved. Do not modify.

Field Name	Bits	Type	Reset Value	Description
set_rd_bl (SET_RD_BL)	5:3	wo	x	NAND Flash: reserved, write zero. SRAM/NOR: value written to opmode (rd_bl field). Memory Burst Length: 000: 1 beat 001: 4 beats 010: 8 beats 011: 16 beats 100: 32 beats 101: continuous others: reserved
reserved	2	wo	x	Reserved. Do not modify.
set_mw (SET_MW)	1:0	wo	x	SRAM/NOR: mw= 00 (8-bit) NAND Flash: mw= 00 (8-bit) or 01 (16-bit)

### Register ([p1353](#)) refresh\_period\_0

Name	refresh_period_0
Software Name	REFRESH_PERIOD_0
Relative Address	0x00000020
Absolute Address	0xE000E020
Width	4 bits
Access Type	rw
Reset Value	0x00000000
Description	Idle cycles between read/write bursts

#### Register refresh\_period\_0 Details

The read/write refresh\_period\_0 enables the SMC to insert idle cycles during consecutive bursts, that enables the PSRAM devices on memory interface 0, to initiate a refresh cycle. You cannot access this register in either the Reset or low-power states. Note:

You can only access this register when you are using an SRAM memory interface.

Field Name	Bits	Type	Reset Value	Description
period (MASK)	3:0	rw	0x0	Set the number of consecutive memory bursts that are permitted, prior to the SMC deasserting chip select to enable the PSRAM to initiate a refresh cycle. The options are: b0000: disable the insertion of idle cycles between consecutive bursts b0001: an idle cycle occurs after each burst b0010: an idle cycle occurs after 2 consecutive bursts b0011: an idle cycle occurs after 3 consecutive bursts b0100: an idle cycle occurs after 4 consecutive bursts ... b1111: an idle cycle occurs after 15 consecutive bursts.

### Register ([p1353](#)) refresh\_period\_1

Name	refresh_period_1
Software Name	REFRESH_PERIOD_1
Relative Address	0x00000024
Absolute Address	0xE000E024
Width	4 bits
Access Type	rw
Reset Value	0x00000000
Description	Insert idle cycles between bursts

#### Register refresh\_period\_1 Details

The read/write refresh\_period\_1 Register enables the SMC to insert idle cycles during consecutive bursts, that enables the PSRAM devices on memory interface 1, to initiate a refresh cycle

Field Name	Bits	Type	Reset Value	Description
period (REFRESH_PERIOD_0)	3:0	rw	0x0	Set the number of consecutive memory bursts that are permitted, prior to the SMC deasserting chip select to enable the PSRAM to initiate a refresh cycle. The options are: b0000: disable the insertion of idle cycles between consecutive bursts b0001: an idle cycle occurs after each burst b0010: an idle cycle occurs after 2 consecutive bursts b0011: an idle cycle occurs after 3 consecutive bursts b0100: an idle cycle occurs after 4 consecutive bursts ... b1111: an idle cycle occurs after 15 consecutive bursts.

### Register ([p1353](#)) sram\_cycles0\_0

Name	sram_cycles0_0
Software Name	IF0_CHIP_0_CONFIG
Relative Address	0x00000100
Absolute Address	0xE000E100
Width	21 bits
Access Type	ro
Reset Value	0x0002B3CC
Description	SRAM/NOR chip select 0 timing, active

#### Register sram\_cycles0\_0 Details

There is an instance of this register for each SRAM chip supported. You cannot read the read-only sram\_cycles Register in the Reset state

Field Name	Bits	Type	Reset Value	Description
we_time	20	ro	0x0	Asynchronous assertion, refer to SET_CYCLES register.
t_tr	19:17	ro	0x1	Turnaround time, refer to SET_CYCLES register.
t_pc	16:14	ro	0x2	Page cycle time, refer to SET_CYCLES register.
t_wp	13:11	ro	0x6	WE assertion delay, refer to SET_CYCLES register.
t_ceoe	10:8	ro	0x3	OE assertion delay, refer to SET_CYCLES register.

Field Name	Bits	Type	Reset Value	Description
t_wc	7:4	ro	0xC	Write cycle time, refer to SET_CYCLES register.
t_rc	3:0	ro	0xC	Read cycle time, refer to SET_CYCLES register.

### Register ([p1353](#)) opmode0\_0

Name	opmode0_0
Software Name	OPMODE
Relative Address	0x00000104
Absolute Address	0xE000E104
Width	32 bits
Access Type	ro
Reset Value	0xE2FE0800
Description	SRAM/NOR chip select 0 OpCode, active

#### Register opmode0\_0 Details

Field Name	Bits	Type	Reset Value	Description
address_match (ADDRESS_MATCH)	31:24	ro	0xE2	Return the value of this tie-off. This is the comparison value for address bits [31:24] to determine the chip that is selected.
address_mask (ADDRESS)	23:16	ro	0xFE	Return the value of this tie-off. This is the mask for address bits[31:24] to determine the chip that must be selected. A logic 1 indicates the bit is used for comparison.
reserved	15:13	ro	0x0	Reserved. Do not modify.
reserved	12	ro	0x0	Reserved. Do not modify.
reserved	11	ro	0x1	Reserved. Do not modify.
baa (BAA)	10	ro	0x0	The memory uses the burst address advance signal, baa_n, when set. For a NAND memory interface, this bit is reserved.
wr_bl (WR_BL)	9:7	ro	0x0	Selects the write burst lengths, see SET_OPMODE register.
reserved	6	ro	0x0	Reserved. Do not modify.
rd_bl (RD_BL)	5:3	ro	0x0	Select memory burst lengths, see SET_OPMODE Register.
reserved	2	ro	0x0	Reserved. Do not modify.
mw (MW)	1:0	ro	0x0	Select data bus width (8 or 16), see SET_OPMODE register.

### Register ([p1353](#)) sram\_cycles0\_1

Name	sram_cycles0_1
Software Name	IF0_CHIP_1_CONFIG
Relative Address	0x00000120
Absolute Address	0xE000E120
Width	21 bits
Access Type	ro
Reset Value	0x0002B3CC
Description	SRAM/NOR chip select 1 timing, active

#### Register sram\_cycles0\_1 Details

There is an instance of this register for each SRAM chip supported. You cannot read the read-only sram\_cycles Register in the Reset state

Field Name	Bits	Type	Reset Value	Description
we_time	20	ro	0x0	Asynchronous assertion, refer to SET_CYCLES register.
t_tr	19:17	ro	0x1	Turnaround time, refer to SET_CYCLES register.
t_pc	16:14	ro	0x2	Page cycle time, refer to SET_CYCLES register.
t_wp	13:11	ro	0x6	WE assertion delay, refer to SET_CYCLES register.
t_ceoe	10:8	ro	0x3	OE assertion delay, refer to SET_CYCLES register.
t_wc	7:4	ro	0xC	Write cycle time, refer to SET_CYCLES register.
t_rc	3:0	ro	0xC	Read cycle time, refer to SET_CYCLES register.

### Register ([p1353](#)) opmode0\_1

Name	opmode0_1
Relative Address	0x00000124
Absolute Address	0xE000E124
Width	32 bits
Access Type	ro
Reset Value	0xE4FE0800
Description	SRAM/NOR chip select 1 OpCode, active

Register opmode0\_1 Details

Field Name	Bits	Type	Reset Value	Description
address_match (OPMODE_ADDRESS_MATCH)	31:24	ro	0xE4	see 0x120
address_mask (OPMODE_ADDRESS)	23:16	ro	0xFE	see 0x120
burst_align (OPMODE_BURST_ALIGN)	15:13	ro	0x0	reserved
bls (OPMODE_BLS)	12	ro	0x0	reserved
adv (OPMODE_ADV)	11	ro	0x1	reserved
baa (OPMODE_BAA)	10	ro	0x0	The memory uses the burst address advance signal, baa_n, when set. For a NAND memory interface, this bit is reserved.
wr_bl (OPMODE_WR_BL)	9:7	ro	0x0	Selects the write burst lengths, see SET_OPMODE register.
wr_sync (OPMODE_WR_SYNC)	6	ro	0x0	SRAM/NOR interface operates in asynchronous mode
rd_bl (OPMODE_RD_BL)	5:3	ro	0x0	Select memory burst lengths, see SET_OPMODE Register.
rd_sync (OPMODE_RD_SYNC)	2	ro	0x0	reserved
mw (OPMODE_MW)	1:0	ro	0x0	Data bus width (8 or 16), see SET_OPMODE register.

Register ([p1353](#)) nand\_cycles1\_0

Name	nand_cycles1_0
Software Name	IF1_CHIP_0_CONFIG
Relative Address	0x00000180
Absolute Address	0xE000E180
Width	24 bits
Access Type	ro
Reset Value	0x0024ABCC



Description NAND Flash timing, active

Register nand\_cycles1\_0 Details

There is an instance of this register for each NAND chip supported. You cannot read the read-only nand\_cycles Register in the Reset state

Field Name	Bits	Type	Reset Value	Description
t_rr	23:20	ro	0x2	BUSY to RE, refer to SET_CYCLES register.
t_ar	19:17	ro	0x2	ID read time, refer to SET_CYCLES register.
t_clr	16:14	ro	0x2	Page cycle time, refer to SET_CYCLES register. Status read time for NAND chip configurations. Minimum permitted value = 0.
t_wp	13:11	ro	0x5	WE deassertion delay, refer to SET_CYCLES register.
t_rea	10:8	ro	0x3	RE assertion delay, refer to SET_CYCLES register.
t_wc	7:4	ro	0xC	Write cycle time, refer to SET_CYCLES register.
t_rc	3:0	ro	0xC	Read cycle time, refer to SET_CYCLES register.

Register (p1353) opmode1\_0

Name opmode1\_0  
 Relative Address 0x00000184  
 Absolute Address 0xE000E184  
 Width 32 bits  
 Access Type ro  
 Reset Value 0xE1FF0001  
 Description NAND Flash OpCode, active

Register opmode1\_0 Details

Field Name	Bits	Type	Reset Value	Description
address_match (OPMODE_ADDRESS_MATCH)	31:24	ro	0xE1	Return the value of this tie-off. This is the comparison value for address bits [31:24] to determine the chip that is selected.
address_mask (OPMODE_ADDRESS)	23:16	ro	0xFF	Return the value of this tie-off. This is the mask for address bits[31:24] to determine the chip that must be selected. A logic 1 indicates the bit is used for comparison.
reserved	15:13	ro	0x0	Reserved. Do not modify.
reserved	12	ro	0x0	Reserved. Do not modify.
reserved	11	ro	0x0	Reserved. Do not modify.

Field Name	Bits	Type	Reset Value	Description
reserved	10	ro	0x0	Reserved. Do not modify.
reserved	9:7	ro	0x0	Reserved. Do not modify.
reserved	6	ro	0x0	Reserved. Do not modify.
reserved	5:3	ro	0x0	Reserved. Do not modify.
reserved	2	ro	0x0	Reserved. Do not modify.
mw (OPMODE_MW)	1:0	ro	0x1	Data bus width is 8 bits, see SET_OPMODE register.

### Register ([p1353](#)) user\_status

Name	user_status
Software Name	USER_STATUS
Relative Address	0x00000200
Absolute Address	0xE000E200
Width	8 bits
Access Type	ro
Reset Value	0x00000000
Description	User Status Register

#### Register user\_status Details

The user\_status is read-only and returns the value of the user\_status[7:0] signals. You can read this register in all operating states.

Field Name	Bits	Type	Reset Value	Description
user_status (MASK)	7:0	ro	0x0	This value returns the state of the user_status[7:0] inputs.

### Register ([p1353](#)) user\_config

Name	user_config
Software Name	USER_CONFIG
Relative Address	0x00000204
Absolute Address	0xE000E204
Width	8 bits
Access Type	wo
Reset Value	x
Description	User Configuration Register

### Register user\_config Details

The user\_config

is write-only and controls the status of the user\_config[7:0] signals. You can write to this register in all operating states.

Field Name	Bits	Type	Reset Value	Description
user_config (MASK)	7:0	wo	x	This value sets the state of the user_config[7:0] outputs.

### Register ([p1353](#)) ecc\_status\_1

Name	ecc_status_1
Software Name	IF1_ECC
Relative Address	0x00000400
Absolute Address	0xE000E400
Width	30 bits
Access Type	ro
Reset Value	0x00000000
Description	ECC Status and Clear Register 1

### Register ecc\_status\_1 Details

The ecc\_status

is read-only and contains status information for the ECC. Although this is a read-only register, the bottom five bits can be written to clear the corresponding interrupts. To clear the interrupt, you must write a 1 to the appropriate bit.

Field Name	Bits	Type	Reset Value	Description
ecc_read (ECC_READ)	29:25	ro	0x0	Read flags for ECC blocks. Indicate whether the stored ECC value for each block has been read from memory: 0: not read 1: read Bit [29] Extra block (if used). Bit [28] Block 3. Bit [27] Block 2. Bit [26] Block 1. Bit [25] Block 0.
ecc_can_correct (ECC_CAN_CORRECT)	24:20	ro	0x0	Correctable flag for each ECC block: 0: not correctable error 1: correctable error Bit [24] Extra block (if used). Bit [23] Block 3. Bit [22] Block 2. Bit [21] Block 1. Bit [20] Block 0.
ecc_fail (ECC_FAIL)	19:15	ro	0x0	Pass/fail flag for each ECC block
ecc_value_valid (ECC_VALID)	14:10	ro	0x0	Valid flag for each ECC block.
ecc_read_not_write (ECC_READ_NOT_WRITE)	9	ro	0x0	ECC calculation type: 0: write 1: read
ecc_last_status (ECC_LAST)	8:7	ro	0x0	Last ECC result is updated after completing the ECC calculation: 00: Completed successfully. 01: Unaligned Address, or out-of-range. 10: Data stop after incomplete block. 11: Data stopped but values not read/written because of ecc_jump value.

Field Name	Bits	Type	Reset Value	Description
ecc_status (ECC_STATUS)	6	ro	0x0	Status of the ECC block: 0: idle 1: busy
raw_int_status (ECC_STATUS_RAW_INTERRUPT_STATUS)	5:0	ro	0x0	The interrupts are: Bit [5] Abort. Bit [4] Extra block (if used). Bit [3] Block 3. Bit [2] Block 2. Bit [1] Block 1. Bit [0] Block 0. To clear the interrupt, write a 1 to the bit.

### Register ([p1353](#)) ecc\_memcfg\_1

Name	ecc_memcfg_1
Relative Address	0x00000404
Absolute Address	0xE000E404
Width	13 bits
Access Type	rw
Reset Value	0x00000043
Description	ECC Memory Configuration Register 1

#### Register ecc\_memcfg\_1 Details

The ecc\_memcfg Register is read-write and contains information about the structure of the memory. Note; You must not write to this register while the ECC block is busy. You can read the current ECC block status from the ECC Status Register.

Field Name	Bits	Type	Reset Value	Description
ecc_extra_block_size (ECC_MEMCFG_ECC_EXTRA_BLOCK_SIZE)	12:11	rw	0x0	The size of the extra block in memory after the last 512 block: 00: 4 bytes 01: 8 bytes 10: 16 bytes 11: 32 bytes Note: These bits are only present if you configure the SMC to use the ECC Extra Block Enable option.
ecc_extra_block (ECC_MEMCFG_ECC_EXTRA_BLOCK)	10	rw	0x0	If configured, this enables a small block for extra information after the last 512 bytes block in the page. Note: These bits are only present if the ECC Extra Block Enable option is configured.

Field Name	Bits	Type	Reset Value	Description
ecc_int_abort (ECC_MEMCFG_ECC_INT_ABORT)	9	rw	0x0	Interrupt on ECC abort: 0: don't assert 1: assert
ecc_int_pass (ECC_MEMCFG_ECC_INT_PASS)	8	rw	0x0	Interrupt when a correct ECC value is read from memory: 0: don't assert 1: assert
ecc_ignore_add_eight (ECC_MEMCFG_IGNORE_ADD8)	7	rw	0x0	Use to indicate if A8 is output with the address, required to find the aligned start of blocks: 0: A8 is output 1: A8 is not output
ecc_jump (ECC_MEMCFG_ECC_JUMP)	6:5	rw	0x2	Indicate that the memory supports column change address commands: 00: no jumping, reads and writes only occur at end of page 01: jump using column change commands 10: jump using full command 11: reserved
ecc_read_end (ECC_MEMCFG_ECC_READ_END)	4	rw	0x0	Indicate when ECC values are read from memory: 0: ECC value for a block must be read immediately after the block. Data access must stop on a 512 byte boundary. 1: ECC values for all blocks are read at the end of the page.
ecc_mode (ECC_MEMCFG_ECC_MODE)	3:2	rw	0x0	Specify the mode of the ECC block: 00: bypassed 01: ECC values are calculated and made available on the APB interface. But they are not read to or written from memory. 10: ECC values are calculated and read/written to memory. For a read, the ECC value is checked and the result of the check is made available on the APB interface. 11: reserved
page_size (ECC_MEMCFG_PAGE_SIZE)	1:0	rw	0x3	The number of 512 byte blocks in a page: 00: No 512 byte blocks. Reserved if an ecc_extra_block is not configured and enabled. 01: One 512 byte block. 10: Two 512 byte blocks. 11: Four 512 byte blocks.

Register ([p1353](#)) ecc\_memcommand1\_1

Name	ecc_memcommand1_1
Relative Address	0x00000408
Absolute Address	0xE000E408
Width	25 bits
Access Type	rw
Reset Value	0x01300080
Description	ECC Memory Command 1 Register 1

Register ecc\_memcommand1\_1 Details

The ecc\_memcommand1

is read-write and contains the commands that the ECC block uses to detect the start of an ECC operation.

Field Name	Bits	Type	Reset Value	Description
nand_rd_cmd_end_val id (ECC_MEMCOMMAN D1_RD_CMD_END_V ALID)	24	rw	0x1	Use the end command
nand_rd_cmd_end (ECC_MEMCOMMAN D1_RD_CMD_END)	23:16	rw	0x30	Use the NAND command to initiate a write (0x30).
nand_rd_cmd (ECC_MEMCOMMAN D1_RD_CMD)	15:8	rw	0x0	Use the NAND command used to initiate a read (0x00).
nand_wr_cmd (ECC_MEMCOMMAN D1_WR_CMD)	7:0	rw	0x80	Use the NAND command to initiate a write (0x80).

Register ([p1353](#)) ecc\_memcommand2\_1

Name	ecc_memcommand2_1
Relative Address	0x0000040C
Absolute Address	0xE000E40C
Width	25 bits
Access Type	rw
Reset Value	0x01E00585
Description	ECC Memory Command 2 Register 1

Register ecc\_memcommand2\_1 Details

The ecc\_memcommand2 Register is read-write and contains the commands that the ECC block uses to access different parts of a NAND page. The reset value is suitable for ONFI 1.0 compliant devices

Field Name	Bits	Type	Reset Value	Description
nand_rd_col_change_end_valid (ECC_MEMCOMMAND2_RD_COL_CHANGE_END_VALID)	24	rw	0x1	Use the end command
nand_rd_col_change_end (ECC_MEMCOMMAND2_RD_COL_CHANGE_END)	23:16	rw	0xE0	Use the NAND command to initiate a write.
nand_rd_col_change (ECC_MEMCOMMAND2_RD_COL_CHANGE)	15:8	rw	0x5	Use the NAND command to initiate a read or Spare bits pointer command.
nand_wr_col_change (ECC_MEMCOMMAND2_WR_COL_CHANGE)	7:0	rw	0x85	The NAND command used to initiate a write

Register (p1353) ecc\_addr0\_1

Name	ecc_addr0_1
Relative Address	0x00000410
Absolute Address	0xE000E410
Width	32 bits
Access Type	ro
Reset Value	0x00000000
Description	ECC Address 0 Register 1

Register ecc\_addr0\_1 Details

The ecc\_addr0 Register is read-only and contains the lower 32 bits of the ECC address

Field Name	Bits	Type	Reset Value	Description
ecc_addr	31:0	ro	0x0	Address bits 31 to 0

Register (p1353) ecc\_addr1\_1

Name	ecc_addr1_1
------	-------------



Relative Address 0x00000414  
 Absolute Address 0xE000E414  
 Width 24 bits  
 Access Type ro  
 Reset Value 0x00000000  
 Description ECC Address 1 Register 1

**Register ecc\_addr1\_1 Details**

The ecc\_addr1 Register is read-only and contains the upper 24 bits of the ECC address.

Field Name	Bits	Type	Reset Value	Description
ecc_addr	23:0	ro	0x0	Address bits 55 to 32

**Register (p1353) ecc\_value0\_1**

Name ecc\_value0\_1  
 Relative Address 0x00000418  
 Absolute Address 0xE000E418  
 Width 32 bits  
 Access Type ro  
 Reset Value 0x00000000  
 Description ECC Value 0 Register 1

**Register ecc\_value0\_1 Details**

The five ecc\_value Registers are read-only and contain block information for the ECC. Note: Writing any value to an ecc\_value Register clears the ecc\_int bit.

Field Name	Bits	Type	Reset Value	Description
ecc_int (ECC_VALUE_INT)	31	ro	0x0	Interrupt flag for this value
ecc_valid (ECC_VALUE_VALID)	30	ro	0x0	Indicate if this value is valid
ecc_read (ECC_VALUE_READ)	29	ro	0x0	Indicate if the ECC value has been read from memory
ecc_fail (ECC_VALUE_FAIL)	28	ro	0x0	Indicate if this value has failed
ecc_correct (ECC_VALUE_CORRECT)	27	ro	0x0	Indicate if this block is correctable

Field Name	Bits	Type	Reset Value	Description
reserved	26:24	ro	0x0	Reserved, read undefined
ecc_value (ECC_VALUE)	23:0	ro	0x0	ECC value of check result for block, depending on ECC configuration

### Register (p1353) ecc\_value1\_1

Name	ecc_value1_1
Relative Address	0x0000041C
Absolute Address	0xE000E41C
Width	32 bits
Access Type	ro
Reset Value	0x00000000
Description	ECC Value 1 Register 1

#### Register ecc\_value1\_1 Details

The five ecc\_value Registers are read-only and contain block information for the ECC. Note: writing any value to an ecc\_value Register clears the ecc\_int bit.

Field Name	Bits	Type	Reset Value	Description
ecc_int (ECC_VALUE_INT)	31	ro	0x0	Interrupt flag for this value
ecc_valid (ECC_VALUE_VALID)	30	ro	0x0	Indicate if this value is valid
ecc_read (ECC_VALUE_READ)	29	ro	0x0	Indicate if the ECC value has been read from memory
ecc_fail (ECC_VALUE_FAIL)	28	ro	0x0	Indicate if this value has failed
ecc_correct (ECC_VALUE_CORRECT)	27	ro	0x0	Indicate if this block is correctable
reserved	26:24	ro	0x0	Reserved, read undefined
ecc_value (ECC_VALUE)	23:0	ro	0x0	ECC value of check result for block, depending on ECC configuration

### Register (p1353) ecc\_value2\_1

Name	ecc_value2_1
Relative Address	0x00000420

Absolute Address 0xE000E420  
 Width 32 bits  
 Access Type ro  
 Reset Value 0x00000000  
 Description ECC Value 2 Register 1

**Register ecc\_value2\_1 Details**

The five ecc\_value Registers are read-only and contain block information for the ECC.

Note: writing any value to an ecc\_value Register clears the ecc\_int bit.

Field Name	Bits	Type	Reset Value	Description
ecc_int (ECC_VALUE_INT)	31	ro	0x0	Interrupt flag for this value
ecc_valid (ECC_VALUE_VALID)	30	ro	0x0	Indicate if this value is valid
ecc_read (ECC_VALUE_READ)	29	ro	0x0	Indicate if the ECC value has been read from memory
ecc_fail (ECC_VALUE_FAIL)	28	ro	0x0	Indicate if this value has failed
ecc_correct (ECC_VALUE_CORRECT)	27	ro	0x0	Indicate if this block is correctable
reserved	26:24	ro	0x0	Reserved, read undefined
ecc_value (ECC_VALUE)	23:0	ro	0x0	ECC value of check result for block, depending on ECC configuration

**Register (p1353) ecc\_value3\_1**

Name ecc\_value3\_1  
 Relative Address 0x00000424  
 Absolute Address 0xE000E424  
 Width 32 bits  
 Access Type ro  
 Reset Value 0x00000000  
 Description ECC Value 3 Register 1

**Register ecc\_value3\_1 Details**

The five ecc\_value Registers are read-only and contain block information for the ECC. Note: writing any value to an ecc\_value Register clears the ecc\_int bit.

Field Name	Bits	Type	Reset Value	Description
ecc_int (ECC_VALUE_INT)	31	ro	0x0	Interrupt flag for this value
ecc_valid (ECC_VALUE_VALID)	30	ro	0x0	Indicate if this value is valid
ecc_read (ECC_VALUE_READ)	29	ro	0x0	Indicate if the ECC value has been read from memory
ecc_fail (ECC_VALUE_FAIL)	28	ro	0x0	Indicate if this value has failed
ecc_correct (ECC_VALUE_CORRECT)	27	ro	0x0	Indicate if this block is correctable
reserved	26:24	ro	0x0	Reserved, read undefined
ecc_value (ECC_VALUE)	23:0	ro	0x0	ECC value of check result for block, depending on ECC configuration

## B.30 SPI Controller (SPI)

Module Name	SPI Controller (SPI)
Software Name	XSPIPS
Base Address	0xE0006000 spi0 0xE0007000 spi1
Description	Serial Peripheral Interface
Vendor Info	Cadence SPI

### Register Summary

Register Name	Address	Width	Type	Reset Value	Description
<a href="#">Config_reg0</a>	0x00000000	32	mixed	0x00020000	SPI configuration register
<a href="#">Intr_status_reg0</a>	0x00000004	32	mixed	0x00000004	SPI interrupt status register
<a href="#">Intrpt_en_reg0</a>	0x00000008	32	mixed	0x00000000	Interrupt Enable register
<a href="#">Intrpt_dis_reg0</a>	0x0000000C	32	mixed	0x00000000	Interrupt disable register
<a href="#">Intrpt_mask_reg0</a>	0x00000010	32	ro	0x00000000	Interrupt mask register
<a href="#">En_reg0</a>	0x00000014	32	mixed	0x00000000	SPI_Enable Register
<a href="#">Delay_reg0</a>	0x00000018	32	rw	0x00000000	Delay Register
<a href="#">Tx_data_reg0</a>	0x0000001C	32	wo	0x00000000	Transmit Data Register.
<a href="#">Rx_data_reg0</a>	0x00000020	32	ro	0x00000000	Receive Data Register
<a href="#">Slave_Idle_count_reg0</a>	0x00000024	32	mixed	0x000000FF	Slave Idle Count Register
<a href="#">TX_thres_reg0</a>	0x00000028	32	rw	0x00000001	TX_FIFO Threshold Register
<a href="#">RX_thres_reg0</a>	0x0000002C	32	rw	0x00000001	RX_FIFO Threshold Register
<a href="#">Mod_id_reg0</a>	0x000000FC	32	ro	0x00090106	Module ID register

### Register ([SPI](#)) Config\_reg0

Name	Config_reg0
Software Name	CR
Relative Address	0x00000000
Absolute Address	spi0: 0xE0006000 spi1: 0xE0007000
Width	32 bits
Access Type	mixed

Reset Value                0x00020000  
 Description                SPI configuration register

## Register Config\_reg0 Details

Field Name	Bits	Type	Reset Value	Description
reserved	31:18	ro	0x0	Reserved, read as zero, ignored on write.
Modefail_gen_en	17	rw	0x1	ModeFail Generation Enable 1: enable 0: disable
Man_start_com (MANSTRT)	16	wo	0x0	Manual Start Command 1: start transmission of data 0: don't care
Man_start_en	15	rw	0x0	Manual Start Enable 1: enables manual start 0: auto mode
Manual_CS	14	rw	0x0	Manual CS 1: manual CS mode 0: auto mode
CS	13:10	rw	0x0	Peripheral chip select lines (only valid if Manual_CS=1) xxx0 - slave 0 selected xx01 - slave 1 selected x011 - slave 2 selected 0111 - reserved 1111 - No slave selected
PERI_SEL	9	rw	0x0	Peripheral select decode 1: allow external 3-to-8 decode 0: only 1 of 3 selects
REF_CLK	8	rw	0x0	Master reference clock select 1: not supported 0: use SPI REFERENCE CLOCK
reserved	7:6	rw	0x0	Reserved, read as zero, write with 00

Field Name	Bits	Type	Reset Value	Description
BAUD_RATE_DIV	5:3	rw	0x0	Master mode baud rate divisor controls the amount the spi_ref_clk is divided inside the SPI block 000: not supported 001: divide by 4 010: divide by 8 011: divide by 16 100: divide by 32 101: divide by 64 110: divide by 128 111: divide by 256
CLK_PH (CPHA)	2	rw	0x0	Clock phase 1: the SPI clock is inactive outside the word 0: the SPI clock is active outside the word
CLK_POL (CPOL)	1	rw	0x0	Clock polarity outside SPI word 1: the SPI clock is quiescent high 0: the SPI clock is quiescent low
MODE_SEL (MSTREN)	0	rw	0x0	Mode select 1: the SPI is in master mode 0: the SPI is in slave mode

### Register (SPI) Intr\_status\_reg0

Name	Intr_status_reg0
Software Name	SR
Relative Address	0x00000004
Absolute Address	spi0: 0xE0006004 spi1: 0xE0007004
Width	32 bits
Access Type	mixed
Reset Value	0x00000004
Description	SPI interrupt status register

#### Register Intr\_status\_reg0 Details

This register is set when the described event occurs and the interrupt is enabled in the mask register. When any of these bits are set the interrupt output is asserted high. In the default configuration, these bits are all cleared simultaneously by reading this register, though this may be configured for an individual write-one-to-clear scheme.

Field Name	Bits	Type	Reset Value	Description
reserved	31:7	ro	0x0	Reserved, read as zero, ignored on write.
TX_FIFO_underflow (IXR_TXUF)	6	wtc	0x0	TX FIFO underflow, write one to this bit location to clear. 1: underflow is detected 0: no underflow has been detected
RX_FIFO_full (IXR_RXFULL)	5	wtc	0x0	RX FIFO full 1: FIFO is full 0: FIFO is not full
RX_FIFO_not_empty (IXR_RXNEMPTY)	4	wtc	0x0	RX FIFO not empty 1: FIFO has more than or equal to THRESHOLD entries 0: FIFO has less than RX THRESHOLD entries
TX_FIFO_full (IXR_TXFULL)	3	wtc	0x0	TX FIFO full 1: FIFO is full 0: FIFO is not full
TX_FIFO_not_full (IXR_TXOW)	2	wtc	0x1	TX FIFO not full 1: FIFO has less than THRESHOLD entries 0: FIFO has more than or equal to THRESHOLD entries
MODE_FAIL (IXR_MODF)	1	wtc	0x0	Indicates the voltage on pin n_ss_in is inconsistent with the SPI mode. Set =1 if n_ss_in is low in master mode (multi-master contention) or n_ss_in goes high during a transmission in slave mode. These conditions will clear the spi_enable bit and disable the SPI. This bit is reset only by a system reset and cleared only when this register is read. ModeFail interrupt, write one to this bit location to clear. 1: a mode fault has occurred 0: no mode fault has been detected
RX_OVERFLOW (IXR_RXOVR)	0	wtc	0x0	Receive Overflow interrupt, write one to this bit location to clear. 1: overflow occurred 0: no overflow occurred

### Register (SPI) Intrpt\_en\_reg0

Name Intrpt\_en\_reg0  
 Software Name IER  
 Relative Address 0x00000008



Absolute Address      spi0: 0xE0006008  
                              spi1: 0xE0007008  
 Width                      32 bits  
 Access Type              mixed  
 Reset Value              0x00000000  
 Description              Interrupt Enable register

## Register Intrpt\_en\_reg0 Details

Field Name	Bits	Type	Reset Value	Description
reserved	31:7	ro	0x0	Reserved, read as zero, ignored on write.
TX_FIFO_underflow (IXR_TXUF)	6	wo	0x0	TX FIFO underflow enable 1: enable the interrupt 0: no effect
RX_FIFO_full (IXR_RXFULL)	5	wo	0x0	RX FIFO full enable 1: enable the interrupt 0: no effect
RX_FIFO_not_empty (IXR_RXNEMPTY)	4	wo	0x0	RX FIFO not empty enable 1: enable the interrupt 0: no effect
TX_FIFO_full (IXR_TXFULL)	3	wo	0x0	TX FIFO full enable 1: enable the interrupt 0: no effect
TX_FIFO_not_full (IXR_TXOW)	2	wo	0x0	TX FIFO not full enable 1: enable the interrupt 0: no effect
MODE_FAIL (IXR_MODF)	1	wo	0x0	ModeFail interrupt enable 1: enable the interrupt 0: no effect
RX_OVERFLOW (IXR_RXOVR)	0	wo	0x0	Receive Overflow interrupt enable 1: enable the interrupt 0: no effect

### Register (SPI) Intrpt\_dis\_reg0

Name	Intrpt_dis_reg0
Software Name	IDR
Relative Address	0x0000000C
Absolute Address	spi0: 0xE000600C spi1: 0xE000700C
Width	32 bits
Access Type	mixed
Reset Value	0x00000000
Description	Interrupt disable register

#### Register Intrpt\_dis\_reg0 Details

Field Name	Bits	Type	Reset Value	Description
reserved	31:7	ro	0x0	Reserved, read as zero, ignored on write.
TX_FIFO_underflow (IXR_TXUF)	6	wo	0x0	TX FIFO underflow enable 1: disables the interrupt 0: no effect
RX_FIFO_full (IXR_RXFULL)	5	wo	0x0	RX FIFO full enable 1: disables the interrupt 0: no effect
RX_FIFO_not_empty (IXR_RXNEMPTY)	4	wo	0x0	RX FIFO not empty enable 1: disables the interrupt 0: no effect
TX_FIFO_full (IXR_TXFULL)	3	wo	0x0	TX FIFO full enable 1: disables the interrupt 0: no effect
TX_FIFO_not_full (IXR_TXOW)	2	wo	0x0	TX FIFO not full enable 1: disables the interrupt 0: no effect

Field Name	Bits	Type	Reset Value	Description
MODE_FAIL (IXR_MODF)	1	wo	0x0	ModeFail interrupt enable 1: disables the interrupt 0: no effect
RX_OVERFLOW (IXR_RXOVR)	0	wo	0x0	Receive Overflow interrupt enable 1: disables the interrupt 0: no effect

### Register (SPI) Intrpt\_mask\_reg0

Name	Intrpt_mask_reg0
Software Name	IMR
Relative Address	0x00000010
Absolute Address	spi0: 0xE0006010 spi1: 0xE0007010
Width	32 bits
Access Type	ro
Reset Value	0x00000000
Description	Interrupt mask register

#### Register Intrpt\_mask\_reg0 Details

Field Name	Bits	Type	Reset Value	Description
reserved	31:7	ro	0x0	Reserved, read as zero, ignored on write.
TX_FIFO_underflow (IXR_TXUF)	6	ro	0x0	TX FIFO underflow enable 1: interrupt is disabled 0: interrupt is enabled
RX_FIFO_full (IXR_RXFULL)	5	ro	0x0	RX FIFO full enable 1: interrupt is disabled 0: interrupt is enabled
RX_FIFO_not_empty (IXR_RXNEMPTY)	4	ro	0x0	RX FIFO not empty enable 1: interrupt is disabled 0: interrupt is enabled

Field Name	Bits	Type	Reset Value	Description
TX_FIFO_full (IXR_TXFULL)	3	ro	0x0	TX FIFO full enable 1: interrupt is disabled 0: interrupt is enabled
TX_FIFO_not_full (IXR_TXOW)	2	ro	0x0	TX FIFO not full enable 1: interrupt is disabled 0: interrupt is enabled
MODE_FAIL (IXR_MODF)	1	ro	0x0	ModeFail interrupt enable 1: interrupt is disabled 0: interrupt is enabled
RX_OVERFLOW (IXR_RXOVR)	0	ro	0x0	Receive Overflow interrupt enable 1: interrupt is disabled 0: interrupt is enabled

### Register (SPI) En\_reg0

Name	En_reg0
Software Name	ER
Relative Address	0x00000014
Absolute Address	spi0: 0xE0006014 spi1: 0xE0007014
Width	32 bits
Access Type	mixed
Reset Value	0x00000000
Description	SPI_Enable Register

#### Register En\_reg0 Details

Field Name	Bits	Type	Reset Value	Description
reserved	31:1	ro	0x0	Reserved, read as zero, ignored on write.
SPI_EN (ENABLE)	0	rw	0x0	SPI_Enable 1: enable the SPI 0: disable the SPI

### Register (SPI) Delay\_reg0

Name	Delay_reg0
------	------------

Software Name DR  
 Relative Address 0x00000018  
 Absolute Address spi0: 0xE0006018  
 spi1: 0xE0007018  
 Width 32 bits  
 Access Type rw  
 Reset Value 0x00000000  
 Description Delay Register

Register Delay\_reg0 Details

Field Name	Bits	Type	Reset Value	Description
d_nss	31:24	rw	0x0	Delay in SPI REFERENCE CLOCK or ext_clk cycles for the length that the master mode chip select outputs are de-asserted between words when cpha=0.
d_btwn (BTWN)	23:16	rw	0x0	Delay in SPI REFERENCE CLOCK or ext_clk cycles between one chip select being de-activated and the activation of another
d_after (AFTER)	15:8	rw	0x0	Delay in SPI REFERENCE CLOCK or ext_clk cycles between last bit of current word and the first bit of the next word.
d_int (INIT)	7:0	rw	0x0	Added delay in SPI REFERENCE CLOCK or ext_clk cycles between setting n_ss_out low and first bit transfer.

Register (SPI) Tx\_data\_reg0

Name Tx\_data\_reg0  
 Software Name TXD  
 Relative Address 0x0000001C  
 Absolute Address spi0: 0xE000601C  
 spi1: 0xE000701C  
 Width 32 bits  
 Access Type wo  
 Reset Value 0x00000000  
 Description Transmit Data Register.

Register Tx\_data\_reg0 Details

Field Name	Bits	Type	Reset Value	Description
TX_FIFO_data	31:0	wo	0x0	Data to TX FIFO. Valid data bits are [7:0].

Register (SPI) Rx\_data\_reg0

Name	Rx_data_reg0
Software Name	RXD
Relative Address	0x00000020
Absolute Address	spi0: 0xE0006020 spi1: 0xE0007020
Width	32 bits
Access Type	ro
Reset Value	0x00000000
Description	Receive Data Register

Register Rx\_data\_reg0 Details

Field Name	Bits	Type	Reset Value	Description
RX_FIFO_data	31:0	ro	0x0	Data from RX FIFO. Valid data bits are [7:0].

Register (SPI) Slave\_Idle\_count\_reg0

Name	Slave_Idle_count_reg0
Software Name	SICR
Relative Address	0x00000024
Absolute Address	spi0: 0xE0006024 spi1: 0xE0007024
Width	32 bits
Access Type	mixed
Reset Value	0x000000FF
Description	Slave Idle Count Register

Register Slave\_Idle\_count\_reg0 Details

Field Name	Bits	Type	Reset Value	Description
reserved	31:8	ro	0x0	Reserved, read as zero, ignored on write.
Slave_Idle_coun	7:0	rw	0xFF	SPI in slave mode detects a start only when the external SPI master serial clock (sclk_in) is stable (quiescent state) for SPI REFERENCE CLOCK cycles specified by slave idle count register or when the SPI is deselected.

Register (SPI) TX\_thres\_reg0

Name	TX_thres_reg0
Software Name	TXWR
Relative Address	0x00000028
Absolute Address	spi0: 0xE0006028 spi1: 0xE0007028
Width	32 bits
Access Type	rw
Reset Value	0x00000001
Description	TX_FIFO Threshold Register

Register TX\_thres\_reg0 Details

Field Name	Bits	Type	Reset Value	Description
Threshold_of_TX_FIFO	31:0	rw	0x1	Defines the level at which the TX FIFO not full interrupt is generated

Register (SPI) RX\_thres\_reg0

Name	RX_thres_reg0
Relative Address	0x0000002C
Absolute Address	spi0: 0xE000602C spi1: 0xE000702C
Width	32 bits
Access Type	rw
Reset Value	0x00000001
Description	RX_FIFO Threshold Register

Register RX\_thres\_reg0 Details

Field Name	Bits	Type	Reset Value	Description
Threshold_of_RX_FIFO	31:0	rw	0x1	Defines the level at which the RX FIFO not empty interrupt is generated

Register (SPI) Mod\_id\_reg0

Name Mod\_id\_reg0  
 Relative Address 0x000000FC  
 Absolute Address spi0: 0xE00060FC  
 spi1: 0xE00070FC  
 Width 32 bits  
 Access Type ro  
 Reset Value 0x00090106  
 Description Module ID register

Register Mod\_id\_reg0 Details

Field Name	Bits	Type	Reset Value	Description
reserved	31:25	ro	0x0	Reserved, read as zero, ignored on write.
module_ID	24:0	ro	0x90106	Module ID number



## B.31 System Watchdog Timer (swdt)

Module Name	System Watchdog Timer (swdt)
Software Name	XWDTPS
Base Address	0xF8005000 swdt
Description	System Watchdog Timer Registers
Vendor Info	

### Register Summary

Register Name	Address	Width	Type	Reset Value	Description
<a href="#">MODE</a>	0x00000000	24	mixed	0x000001C0	WD zero mode register
<a href="#">CONTROL</a>	0x00000004	26	mixed	0x00003FFC	Counter Control Register
<a href="#">RESTART</a>	0x00000008	16	wo	0x00000000	Restart key register - this not a real register as no data is stored
<a href="#">STATUS</a>	0x0000000C	1	ro	0x00000000	Status Register

### Register ([swdt](#)) MODE

Name	MODE
Software Name	ZMR
Relative Address	0x00000000
Absolute Address	0xF8005000
Width	24 bits
Access Type	mixed
Reset Value	0x000001C0
Description	WD zero mode register

### Register MODE Details

Field Name	Bits	Type	Reset Value	Description
ZKEY	23:12	wo	0x0	Zero access key - writes to the zero mode register are only valid if this field is set to 0xABC; this field is write only.
reserved	11:9	waz	0x0	Should be zero (sbz)

Field Name	Bits	Type	Reset Value	Description
IRQLN	8:7	rw	0x3	Interrupt request length - selects the number of pclk cycles during which an interrupt request is held active after it is invoked: 00 = 4 01 = 8 10 = 16 11 = 32
reserved	6:4	rw	0x4	Reserved
reserved	3	waz	0x0	Should be zero (sbz)
IRQEN	2	rw	0x0	Interrupt request enable - if set, the watchdog will issue an interrupt request when the counter reaches zero, if WDEN = 1.
RSTEN	1	rw	0x0	Reset enable - if set, the watchdog will issue an internal reset when the counter reaches zero, if WDEN = 1.
WDEN	0	rw	0x0	Watchdog enable - if set, the watchdog is enabled and can generate any signals that are enabled.

### Register ([swdt](#)) CONTROL

Name	CONTROL
Software Name	CCR
Relative Address	0x00000004
Absolute Address	0xF8005004
Width	26 bits
Access Type	mixed
Reset Value	0x00003FFC
Description	Counter Control Register

#### Register CONTROL Details

Field Name	Bits	Type	Reset Value	Description
CKEY	25:14	wo	0x0	Counter access key - writes to the control register are only valid if this field is set to 0x248; this field is write only.

Field Name	Bits	Type	Reset Value	Description
CRV	13:2	rw	0xFFF	Counter restart value - the counter is restarted with the value 0xNNNFFF, where NNN is the value of this field.
CLKSEL	1:0	rw	0x0	Counter clock prescale - selects the prescaler division ratio: 00 = pclk divided by 8 01 = pclk divided by 64 10 = pclk divided by 512 11 = pclk divided by 4096 Note: If a restart signal is received the prescaler should be reset.

### Register ([swdt](#)) RESTART

Name	RESTART
Relative Address	0x00000008
Absolute Address	0xF8005008
Width	16 bits
Access Type	wo
Reset Value	0x00000000
Description	Restart key register - this not a real register as no data is stored

#### Register RESTART Details

Field Name	Bits	Type	Reset Value	Description
RSTKEY (KEY_VAL)	15:0	wo	0x0	Restart key - the watchdog is restarted if this field is set to the value 0x1999

### Register ([swdt](#)) STATUS

Name	STATUS
Software Name	SR
Relative Address	0x0000000C
Absolute Address	0xF800500C
Width	1 bits
Access Type	ro
Reset Value	0x00000000
Description	Status Register

## Register STATUS Details

Field Name	Bits	Type	Reset Value	Description
WDZ	0	ro	0x0	set when the watchdog reaches zero count

## B.32 Triple Timer Counter (ttc)

Module Name	Triple Timer Counter (ttc)
Software Name	XTTCPS
Base Address	0xF8001000 ttc0 0xF8002000 ttc1
Description	Triple Timer Counter
Vendor Info	

### Register Summary

Register Name	Address	Width	Type	Reset Value	Description
<a href="#">Clock_Control_1</a>	0x00000000	7	rw	0x00000000	Clock Control register
<a href="#">Clock_Control_2</a>	0x00000004	7	rw	0x00000000	Clock Control register
<a href="#">Clock_Control_3</a>	0x00000008	7	rw	0x00000000	Clock Control register
<a href="#">Counter_Control_1</a>	0x0000000C	7	rw	0x00000021	Operational mode and reset
<a href="#">Counter_Control_2</a>	0x00000010	7	rw	0x00000021	Operational mode and reset
<a href="#">Counter_Control_3</a>	0x00000014	7	rw	0x00000021	Operational mode and reset
<a href="#">Counter_Value_1</a>	0x00000018	16	ro	0x00000000	Current counter value
<a href="#">Counter_Value_2</a>	0x0000001C	16	ro	0x00000000	Current counter value
<a href="#">Counter_Value_3</a>	0x00000020	16	ro	0x00000000	Current counter value
<a href="#">Interval_Counter_1</a>	0x00000024	16	rw	0x00000000	Interval value
<a href="#">Interval_Counter_2</a>	0x00000028	16	rw	0x00000000	Interval value
<a href="#">Interval_Counter_3</a>	0x0000002C	16	rw	0x00000000	Interval value
<a href="#">Match_1_Counter_1</a>	0x00000030	16	rw	0x00000000	Match value
<a href="#">Match_1_Counter_2</a>	0x00000034	16	rw	0x00000000	Match value
<a href="#">Match_1_Counter_3</a>	0x00000038	16	rw	0x00000000	Match value
<a href="#">Match_2_Counter_1</a>	0x0000003C	16	rw	0x00000000	Match value
<a href="#">Match_2_Counter_2</a>	0x00000040	16	rw	0x00000000	Match value
<a href="#">Match_2_Counter_3</a>	0x00000044	16	rw	0x00000000	Match value
<a href="#">Match_3_Counter_1</a>	0x00000048	16	rw	0x00000000	Match value
<a href="#">Match_3_Counter_2</a>	0x0000004C	16	rw	0x00000000	Match value
<a href="#">Match_3_Counter_3</a>	0x00000050	16	rw	0x00000000	Match value

Register Name	Address	Width	Type	Reset Value	Description
<a href="#">Interrupt_Register_1</a>	0x00000054	6	clronr d	0x00000000	Counter 1 Interval, Match, Overflow and Event interrupts
<a href="#">Interrupt_Register_2</a>	0x00000058	6	clronr d	0x00000000	Counter 2 Interval, Match, Overflow and Event interrupts
<a href="#">Interrupt_Register_3</a>	0x0000005C	6	clronr d	0x00000000	Counter 3 Interval, Match, Overflow and Event interrupts
<a href="#">Interrupt_Enable_1</a>	0x00000060	6	rw	0x00000000	ANDed with corresponding Interrupt Register
<a href="#">Interrupt_Enable_2</a>	0x00000064	6	rw	0x00000000	ANDed with corresponding Interrupt Register
<a href="#">Interrupt_Enable_3</a>	0x00000068	6	rw	0x00000000	ANDed with corresponding Interrupt Register
<a href="#">Event_Control_Timer_1</a>	0x0000006C	3	rw	0x00000000	Enable, pulse and overflow
<a href="#">Event_Control_Timer_2</a>	0x00000070	3	rw	0x00000000	Enable, pulse and overflow
<a href="#">Event_Control_Timer_3</a>	0x00000074	3	rw	0x00000000	Enable, pulse and overflow
<a href="#">Event_Register_1</a>	0x00000078	16	ro	0x00000000	pclk cycle count for event
<a href="#">Event_Register_2</a>	0x0000007C	16	ro	0x00000000	pclk cycle count for event
<a href="#">Event_Register_3</a>	0x00000080	16	ro	0x00000000	pclk cycle count for event

### Register ([ttc](#)) Clock\_Control\_1

Name	Clock_Control_1
Software Name	CLK_CNTRL
Relative Address	0x00000000
Absolute Address	ttc0: 0xF8001000 ttc1: 0xF8002000
Width	7 bits
Access Type	rw
Reset Value	0x00000000
Description	Clock Control register

Register Clock\_Control\_1 Details

Field Name	Bits	Type	Reset Value	Description
Ex_E (EXT_EDGE)	6	rw	0x0	External Clock Edge: when this bit is set and the extend clock is selected, the counter clocks on the negative going edge of the external clock input.
C_Src (SRC)	5	rw	0x0	Clock Source: when this bit is set the counter uses the external clock input, ext_clk; the default clock source is pclk.
PS_V (PS_VAL)	4:1	rw	0x0	Prescale value (N): if prescale is enabled, the count rate is divided by 2 <sup>(N+1)</sup>
PS_En (PS_EN)	0	rw	0x0	Prescale enable: when this bit is set the counter, clock source is prescaled; the default clock source is that defined by C_Src.the default

Register ([ttc](#)) Clock\_Control\_2

Name Clock\_Control\_2  
 Relative Address 0x00000004  
 Absolute Address ttc0: 0xF8001004  
 ttc1: 0xF8002004  
 Width 7 bits  
 Access Type rw  
 Reset Value 0x00000000  
 Description Clock Control register

Register Clock\_Control\_2 Details

Field Name	Bits	Type	Reset Value	Description
Ex_E (CLK_CNTRL_EXT_EDGE)	6	rw	0x0	External Clock Edge: when this bit is set and the extend clock is selected, the counter clocks on the negative going edge of the external clock input.
C_Src (CLK_CNTRL_SRC)	5	rw	0x0	Clock Source: when this bit is set the counter uses the external clock input, ext_clk; the default clock source is pclk.
PS_V (CLK_CNTRL_PS_VAL)	4:1	rw	0x0	Prescale value (N): if prescale is enabled, the count rate is divided by 2 <sup>(N+1)</sup>
PS_En (CLK_CNTRL_PS_EN)	0	rw	0x0	Prescale enable: when this bit is set the counter, clock source is prescaled; the default clock source is that defined by C_Src.the default

### Register (ttc) Clock\_Control\_3

Name Clock\_Control\_3  
 Relative Address 0x00000008  
 Absolute Address ttc0: 0xF8001008  
 ttc1: 0xF8002008  
 Width 7 bits  
 Access Type rw  
 Reset Value 0x00000000  
 Description Clock Control register

#### Register Clock\_Control\_3 Details

Field Name	Bits	Type	Reset Value	Description
Ex_E (CLK_CNTRL_EXT_E DGE)	6	rw	0x0	External Clock Edge: when this bit is set and the extend clock is selected, the counter clocks on the negative going edge of the external clock input.
C_Src (CLK_CNTRL_SRC)	5	rw	0x0	Clock Source: when this bit is set the counter uses the external clock input, ext_clk; the default clock source is pclk.
PS_V (CLK_CNTRL_PS_VA L)	4:1	rw	0x0	Prescale value (N): if prescale is enabled, the count rate is divided by 2 <sup>(N+1)</sup>
PS_En (CLK_CNTRL_PS_EN)	0	rw	0x0	Prescale enable: when this bit is set the counter, clock source is prescaled; the default clock source is that defined by C_Src.the default

### Register (ttc) Counter\_Control\_1

Name Counter\_Control\_1  
 Software Name CNT\_CNTRL  
 Relative Address 0x0000000C  
 Absolute Address ttc0: 0xF800100C  
 ttc1: 0xF800200C  
 Width 7 bits  
 Access Type rw  
 Reset Value 0x00000021  
 Description Operational mode and reset



Register Counter\_Control\_1 Details

Field Name	Bits	Type	Reset Value	Description
Wave_pol (POL_WAVE)	6	rw	0x0	Waveform polarity: When this bit is high, the waveform output goes from high to low on Match_1 interrupt and returns high on overflow or interval interrupt; when low, the waveform goes from low to high on Match_1 interrupt and returns low on overflow or interval interrupt.
Wave_en (EN_WAVE)	5	rw	0x1	Output waveform enable, active low.
RST	4	rw	0x0	Setting this bit high resets the counter value and restarts counting; the RST bit is automatically cleared on restart.
Match (MATCH)	3	rw	0x0	Register Match mode: when Match is set, an interrupt is generated when the count value matches one of the three match registers and the corresponding bit is set in the Interrupt Enable register.
DEC (DECR)	2	rw	0x0	Decrement: when this bit is high the counter counts down.
INT	1	rw	0x0	When this bit is high, the timer is in Interval Mode, and the counter generates interrupts at regular intervals; when low, the timer is in overflow mode.
DIS	0	rw	0x1	Disable counter: when this bit is high, the counter is stopped, holding its last value until reset, restarted or enabled again.

Register ([ttc](#)) Counter\_Control\_2

Name	Counter_Control_2
Relative Address	0x00000010
Absolute Address	ttc0: 0xF8001010 ttc1: 0xF8002010
Width	7 bits
Access Type	rw
Reset Value	0x00000021
Description	Operational mode and reset

Register Counter\_Control\_2 Details

Field Name	Bits	Type	Reset Value	Description
Wave_pol (CNT_CNTRL_POL_WAVE)	6	rw	0x0	Waveform polarity: When this bit is high, the waveform output goes from high to low on Match_1 interrupt and returns high on overflow or interval interrupt; when low, the waveform goes from low to high on Match_1 interrupt and returns low on overflow or interval interrupt.
Wave_en (CNT_CNTRL_EN_WAVE)	5	rw	0x1	Output waveform enable, active low.
RST (CNT_CNTRL_RST)	4	rw	0x0	Setting this bit high resets the counter value and restarts counting; the RST bit is automatically cleared on restart.
Match (CNT_CNTRL_MATCH)	3	rw	0x0	Register Match mode: when Match is set, an interrupt is generated when the count value matches one of the three match registers and the corresponding bit is set in the Interrupt Enable register.
DEC (CNT_CNTRL_DECR)	2	rw	0x0	Decrement: when this bit is high the counter counts down.
INT (CNT_CNTRL_INT)	1	rw	0x0	When this bit is high, the timer is in Interval Mode, and the counter generates interrupts at regular intervals; when low, the timer is in overflow mode.
DIS (CNT_CNTRL_DIS)	0	rw	0x1	Disable counter: when this bit is high, the counter is stopped, holding its last value until reset, restarted or enabled again.

Register ([ttc](#)) Counter\_Control\_3

Name	Counter_Control_3
Relative Address	0x00000014
Absolute Address	ttc0: 0xF8001014 ttc1: 0xF8002014
Width	7 bits
Access Type	rw
Reset Value	0x00000021
Description	Operational mode and reset

Register Counter\_Control\_3 Details

Field Name	Bits	Type	Reset Value	Description
Wave_pol (CNT_CNTRL_POL_WAVE)	6	rw	0x0	Waveform polarity: When this bit is high, the waveform output goes from high to low on Match_1 interrupt and returns high on overflow or interval interrupt; when low, the waveform goes from low to high on Match_1 interrupt and returns low on overflow or interval interrupt.
Wave_en (CNT_CNTRL_EN_WAVE)	5	rw	0x1	Output waveform enable, active low.
RST (CNT_CNTRL_RST)	4	rw	0x0	Setting this bit high resets the counter value and restarts counting; the RST bit is automatically cleared on restart.
Match (CNT_CNTRL_MATCH)	3	rw	0x0	Register Match mode: when Match is set, an interrupt is generated when the count value matches one of the three match registers and the corresponding bit is set in the Interrupt Enable register.
DEC (CNT_CNTRL_DECR)	2	rw	0x0	Decrement: when this bit is high the counter counts down.
INT (CNT_CNTRL_INT)	1	rw	0x0	When this bit is high, the timer is in Interval Mode, and the counter generates interrupts at regular intervals; when low, the timer is in overflow mode.
DIS (CNT_CNTRL_DIS)	0	rw	0x1	Disable counter: when this bit is high, the counter is stopped, holding its last value until reset, restarted or enabled again.

Register ([ttc](#)) Counter\_Value\_1

Name	Counter_Value_1
Software Name	COUNT_VALUE
Relative Address	0x00000018
Absolute Address	ttc0: 0xF8001018 ttc1: 0xF8002018
Width	16 bits
Access Type	ro
Reset Value	0x00000000
Description	Current counter value

Register Counter\_Value\_1 Details

Field Name	Bits	Type	Reset Value	Description
Value (MASK)	15:0	ro	0x0	At any time, a Timer Counter's count value can be read from its Counter Value Register.

Register ([ttc](#)) Counter\_Value\_2

Name	Counter_Value_2
Relative Address	0x0000001C
Absolute Address	ttc0: 0xF800101C ttc1: 0xF800201C
Width	16 bits
Access Type	ro
Reset Value	0x00000000
Description	Current counter value

Register Counter\_Value\_2 Details

Field Name	Bits	Type	Reset Value	Description
Value (COUNT_VALUE)	15:0	ro	0x0	At any time, a Timer Counter's count value can be read from its Counter Value Register.

Register ([ttc](#)) Counter\_Value\_3

Name	Counter_Value_3
Relative Address	0x00000020
Absolute Address	ttc0: 0xF8001020 ttc1: 0xF8002020
Width	16 bits
Access Type	ro
Reset Value	0x00000000
Description	Current counter value

Register Counter\_Value\_3 Details

Field Name	Bits	Type	Reset Value	Description
Value (COUNT_VALUE)	15:0	ro	0x0	At any time, a Timer Counter's count value can be read from its Counter Value Register.

### Register ([ttc](#)) Interval\_Counter\_1

Name	Interval_Counter_1
Software Name	INTERVAL_VAL
Relative Address	0x00000024
Absolute Address	ttc0: 0xF8001024 ttc1: 0xF8002024
Width	16 bits
Access Type	rw
Reset Value	0x00000000
Description	Interval value

#### Register Interval\_Counter\_1 Details

Field Name	Bits	Type	Reset Value	Description
Interval (COUNT_VALUE)	15:0	rw	0x0	If interval is enabled, this is the maximum value that the counter will count up to or down from.

### Register ([ttc](#)) Interval\_Counter\_2

Name	Interval_Counter_2
Relative Address	0x00000028
Absolute Address	ttc0: 0xF8001028 ttc1: 0xF8002028
Width	16 bits
Access Type	rw
Reset Value	0x00000000
Description	Interval value

#### Register Interval\_Counter\_2 Details

Field Name	Bits	Type	Reset Value	Description
Interval (INTERVAL_VAL)	15:0	rw	0x0	If interval is enabled, this is the maximum value that the counter will count up to or down from.

### Register ([ttc](#)) Interval\_Counter\_3

Name	Interval_Counter_3
Relative Address	0x0000002C

Absolute Address      ttc0: 0xF800102C  
                               ttc1: 0xF800202C

Width                    16 bits

Access Type            rw

Reset Value            0x00000000

Description            Interval value

Register Interval\_Counter\_3 Details

Field Name	Bits	Type	Reset Value	Description
Interval (INTERVAL_VAL)	15:0	rw	0x0	If interval is enabled, this is the maximum value that the counter will count up to or down from.

Register ([ttc](#)) Match\_1\_Counter\_1

Name                    Match\_1\_Counter\_1

Software Name        MATCH\_0

Relative Address     0x00000030

Absolute Address    ttc0: 0xF8001030  
                               ttc1: 0xF8002030

Width                   16 bits

Access Type           rw

Reset Value           0x00000000

Description           Match value

Register Match\_1\_Counter\_1 Details

Field Name	Bits	Type	Reset Value	Description
Match (MATCH)	15:0	rw	0x0	When a counter has the same value as is stored in one of its match registers and match mode is enabled, a match interrupt is generated. Each counter has three match registers.

Register ([ttc](#)) Match\_1\_Counter\_2

Name                    Match\_1\_Counter\_2

Relative Address     0x00000034

Absolute Address    ttc0: 0xF8001034  
                               ttc1: 0xF8002034

Width                   16 bits

Access Type               rw  
 Reset Value               0x00000000  
 Description               Match value

Register Match\_1\_Counter\_2 Details

Field Name	Bits	Type	Reset Value	Description
Match (MATCH)	15:0	rw	0x0	When a counter has the same value as is stored in one of its match registers and match mode is enabled, a match interrupt is generated. Each counter has three match registers.

Register ([ttc](#)) Match\_1\_Counter\_3

Name                       Match\_1\_Counter\_3  
 Relative Address           0x00000038  
 Absolute Address           ttc0: 0xF8001038  
                                   ttc1: 0xF8002038  
 Width                      16 bits  
 Access Type                rw  
 Reset Value                0x00000000  
 Description                Match value

Register Match\_1\_Counter\_3 Details

Field Name	Bits	Type	Reset Value	Description
Match (MATCH)	15:0	rw	0x0	When a counter has the same value as is stored in one of its match registers and match mode is enabled, a match interrupt is generated. Each counter has three match registers.

Register ([ttc](#)) Match\_2\_Counter\_1

Name                       Match\_2\_Counter\_1  
 Software Name              MATCH\_1  
 Relative Address           0x0000003C  
 Absolute Address           ttc0: 0xF800103C  
                                   ttc1: 0xF800203C  
 Width                      16 bits  
 Access Type                rw  
 Reset Value                0x00000000

Description Match value

Register Match\_2\_Counter\_1 Details

Field Name	Bits	Type	Reset Value	Description
Match (MATCH)	15:0	rw	0x0	When a counter has the same value as is stored in one of its match registers and match mode is enabled, a match interrupt is generated. Each counter has three match registers.

Register ([ttc](#)) Match\_2\_Counter\_2

Name Match\_2\_Counter\_2  
 Relative Address 0x00000040  
 Absolute Address ttc0: 0xF8001040  
 ttc1: 0xF8002040  
 Width 16 bits  
 Access Type rw  
 Reset Value 0x00000000  
 Description Match value

Register Match\_2\_Counter\_2 Details

Field Name	Bits	Type	Reset Value	Description
Match (MATCH)	15:0	rw	0x0	When a counter has the same value as is stored in one of its match registers and match mode is enabled, a match interrupt is generated. Each counter has three match registers.

Register ([ttc](#)) Match\_2\_Counter\_3

Name Match\_2\_Counter\_3  
 Relative Address 0x00000044  
 Absolute Address ttc0: 0xF8001044  
 ttc1: 0xF8002044  
 Width 16 bits  
 Access Type rw  
 Reset Value 0x00000000  
 Description Match value



Register Match\_2\_Counter\_3 Details

Field Name	Bits	Type	Reset Value	Description
Match (MATCH)	15:0	rw	0x0	When a counter has the same value as is stored in one of its match registers and match mode is enabled, a match interrupt is generated. Each counter has three match registers.

Register ([ttc](#)) Match\_3\_Counter\_1

Name	Match_3_Counter_1
Software Name	MATCH_2
Relative Address	0x00000048
Absolute Address	ttc0: 0xF8001048 ttc1: 0xF8002048
Width	16 bits
Access Type	rw
Reset Value	0x00000000
Description	Match value

Register Match\_3\_Counter\_1 Details

Field Name	Bits	Type	Reset Value	Description
Match (MATCH)	15:0	rw	0x0	When a counter has the same value as is stored in one of its match registers and match mode is enabled, a match interrupt is generated. Each counter has three match registers.

Register ([ttc](#)) Match\_3\_Counter\_2

Name	Match_3_Counter_2
Relative Address	0x0000004C
Absolute Address	ttc0: 0xF800104C ttc1: 0xF800204C
Width	16 bits
Access Type	rw
Reset Value	0x00000000
Description	Match value

Register Match\_3\_Counter\_2 Details

Field Name	Bits	Type	Reset Value	Description
Match (MATCH)	15:0	rw	0x0	When a counter has the same value as is stored in one of its match registers and match mode is enabled, a match interrupt is generated. Each counter has three match registers.

Register ([ttc](#)) Match\_3\_Counter\_3

Name	Match_3_Counter_3
Relative Address	0x00000050
Absolute Address	ttc0: 0xF8001050 ttc1: 0xF8002050
Width	16 bits
Access Type	rw
Reset Value	0x00000000
Description	Match value

Register Match\_3\_Counter\_3 Details

Field Name	Bits	Type	Reset Value	Description
Match (MATCH)	15:0	rw	0x0	When a counter has the same value as is stored in one of its match registers and match mode is enabled, a match interrupt is generated. Each counter has three match registers.

Register ([ttc](#)) Interrupt\_Register\_1

Name	Interrupt_Register_1
Software Name	ISR
Relative Address	0x00000054
Absolute Address	ttc0: 0xF8001054 ttc1: 0xF8002054
Width	6 bits
Access Type	clonrd
Reset Value	0x00000000
Description	Counter 1 Interval, Match, Overflow and Event interrupts

Register Interrupt\_Register\_1 Details

Field Name	Bits	Type	Reset Value	Description
Ev	5	clonrd	0x0	Event timer overflow interrupt
Ov (IXR_CNT_OVR)	4	clonrd	0x0	Counter overflow
M3 (IXR_MATCH_2)	3	clonrd	0x0	Match 3 interrupt
M2 (IXR_MATCH_1)	2	clonrd	0x0	Match 2 interrupt
M1 (IXR_MATCH_0)	1	clonrd	0x0	Match 1 interrupt
Iv (IXR_INTERVAL)	0	clonrd	0x0	Interval interrupt

Register ([ttc](#)) Interrupt\_Register\_2

Name	Interrupt_Register_2
Relative Address	0x00000058
Absolute Address	ttc0: 0xF8001058 ttc1: 0xF8002058
Width	6 bits
Access Type	clonrd
Reset Value	0x00000000
Description	Counter 2 Interval, Match, Overflow and Event interrupts

Register Interrupt\_Register\_2 Details

Field Name	Bits	Type	Reset Value	Description
Ev	5	clonrd	0x0	Event timer overflow interrupt
Ov (IXR_CNT_OVR)	4	clonrd	0x0	Counter overflow
M3 (IXR_MATCH_2)	3	clonrd	0x0	Match 3 interrupt
M2 (IXR_MATCH_1)	2	clonrd	0x0	Match 2 interrupt

Field Name	Bits	Type	Reset Value	Description
M1 (IXR_MATCH_0)	1	clronrd	0x0	Match 1 interrupt
Iv (IXR_INTERVAL)	0	clronrd	0x0	Interval interrupt

### Register ([ttc](#)) Interrupt\_Register\_3

Name	Interrupt_Register_3
Relative Address	0x0000005C
Absolute Address	ttc0: 0xF800105C ttc1: 0xF800205C
Width	6 bits
Access Type	clronrd
Reset Value	0x00000000
Description	Counter 3 Interval, Match, Overflow and Event interrupts

#### Register Interrupt\_Register\_3 Details

Field Name	Bits	Type	Reset Value	Description
Ev	5	clronrd	0x0	Event timer overflow interrupt
Ov (IXR_CNT_OVR)	4	clronrd	0x0	Counter overflow
M3 (IXR_MATCH_2)	3	clronrd	0x0	Match 3 interrupt
M2 (IXR_MATCH_1)	2	clronrd	0x0	Match 2 interrupt
M1 (IXR_MATCH_0)	1	clronrd	0x0	Match 1 interrupt
Iv (IXR_INTERVAL)	0	clronrd	0x0	Interval interrupt

### Register ([ttc](#)) Interrupt\_Enable\_1

Name	Interrupt_Enable_1
Software Name	IER
Relative Address	0x00000060

Absolute Address      ttc0: 0xF8001060  
                               ttc1: 0xF8002060

Width                    6 bits

Access Type            rw

Reset Value            0x00000000

Description            ANDed with corresponding Interrupt Register

Register Interrupt\_Enable\_1 Details

Field Name	Bits	Type	Reset Value	Description
IEN	5:0	rw	0x0	Enables for bits 05:00 in Interrupt Register: corresponding bits must be set to enable the interrupt.

Register ([ttc](#)) Interrupt\_Enable\_2

Name                    Interrupt\_Enable\_2

Relative Address      0x00000064

Absolute Address      ttc0: 0xF8001064  
                               ttc1: 0xF8002064

Width                    6 bits

Access Type            rw

Reset Value            0x00000000

Description            ANDed with corresponding Interrupt Register

Register Interrupt\_Enable\_2 Details

Field Name	Bits	Type	Reset Value	Description
IEN	5:0	rw	0x0	Enables for bits 05:00 in Interrupt Register: corresponding bits must be set to enable the interrupt.

Register ([ttc](#)) Interrupt\_Enable\_3

Name                    Interrupt\_Enable\_3

Relative Address      0x00000068

Absolute Address      ttc0: 0xF8001068  
                               ttc1: 0xF8002068

Width 6 bits  
 Access Type rw  
 Reset Value 0x00000000  
 Description ANDed with corresponding Interrupt Register

Register Interrupt\_Enable\_3 Details

Field Name	Bits	Type	Reset Value	Description
IEN	5:0	rw	0x0	Enables for bits 05:00 in Interrupt Register: corresponding bits must be set to enable the interrupt.

Register (ttc) Event\_Control\_Timer\_1

Name Event\_Control\_Timer\_1  
 Relative Address 0x0000006C  
 Absolute Address ttc0: 0xF800106C  
 ttc1: 0xF800206C  
 Width 3 bits  
 Access Type rw  
 Reset Value 0x00000000  
 Description Enable, pulse and overflow

Register Event\_Control\_Timer\_1 Details

Field Name	Bits	Type	Reset Value	Description
E_Ov	2	rw	0x0	When this bit is low, the event timer is disabled and set to zero when an Event Timer Register overflow occurs; when set high, the timer continues counting on overflow.
E_Lo	1	rw	0x0	When this bit is high, the timer counts pclk cycles during the low level duration of ext_clk; when low, the event timer counts the high level duration of ext_clk.
E_En	0	rw	0x0	Enable timer: when this bit is high, the event timer is enabled.

Register (ttc) Event\_Control\_Timer\_2

Name Event\_Control\_Timer\_2  
 Relative Address 0x00000070

Absolute Address      ttc0: 0xF8001070  
                               ttc1: 0xF8002070

Width                    3 bits

Access Type            rw

Reset Value            0x00000000

Description            Enable, pulse and overflow

Register Event\_Control\_Timer\_2 Details

Field Name	Bits	Type	Reset Value	Description
E_Ov	2	rw	0x0	When this bit is low, the event timer is disabled and set to zero when an Event Timer Register overflow occurs; when set high, the timer continues counting on overflow.
E_Lo	1	rw	0x0	When this bit is high, the timer counts pclk cycles during the low level duration of ext_clk; when low, the event timer counts the high level duration of ext_clk.
E_En	0	rw	0x0	Enable timer: when this bit is high, the event timer is enabled.

Register (ttc) Event\_Control\_Timer\_3

Name                    Event\_Control\_Timer\_3

Relative Address      0x00000074

Absolute Address      ttc0: 0xF8001074  
                               ttc1: 0xF8002074

Width                    3 bits

Access Type            rw

Reset Value            0x00000000

Description            Enable, pulse and overflow

Register Event\_Control\_Timer\_3 Details

Field Name	Bits	Type	Reset Value	Description
E_Ov	2	rw	0x0	When this bit is low, the event timer is disabled and set to zero when an Event Timer Register overflow occurs; when set high, the timer continues counting on overflow.

Field Name	Bits	Type	Reset Value	Description
E_Lo	1	rw	0x0	When this bit is high, the timer counts pclk cycles during the low level duration of ext_clk; when low, the event timer counts the high level duration of ext_clk.
E_En	0	rw	0x0	Enable timer: when this bit is high, the event timer is enabled.

### Register ([ttc](#)) Event\_Register\_1

Name	Event_Register_1
Relative Address	0x00000078
Absolute Address	ttc0: 0xF8001078 ttc1: 0xF8002078
Width	16 bits
Access Type	ro
Reset Value	0x00000000
Description	pclk cycle count for event

#### Register Event\_Register\_1 Details

Field Name	Bits	Type	Reset Value	Description
Event	15:0	ro	0x0	This register stores the result of the pclk count during the ext_clk high or low pulse.

### Register ([ttc](#)) Event\_Register\_2

Name	Event_Register_2
Relative Address	0x0000007C
Absolute Address	ttc0: 0xF800107C ttc1: 0xF800207C
Width	16 bits
Access Type	ro
Reset Value	0x00000000
Description	pclk cycle count for event

#### Register Event\_Register\_2 Details

Field Name	Bits	Type	Reset Value	Description
Event	15:0	ro	0x0	This register stores the result of the pclk count during the ext_clk high or low pulse.



### Register ([ttc](#)) Event\_Register\_3

Name	Event_Register_3
Relative Address	0x00000080
Absolute Address	ttc0: 0xF8001080 ttc1: 0xF8002080
Width	16 bits
Access Type	ro
Reset Value	0x00000000
Description	pclk cycle count for event

#### Register Event\_Register\_3 Details

Field Name	Bits	Type	Reset Value	Description
Event	15:0	ro	0x0	This register stores the result of the pclk count during the ext_clk high or low pulse.

## B.33 UART Controller (UART)

Module Name	UART Controller (UART)
Software Name	XUARTPS
Base Address	0xE0000000 uart0 0xE0001000 uart1
Description	Universal Asynchronous Receiver Transmitter
Vendor Info	Cadence UART

### Register Summary

Register Name	Address	Width	Type	Reset Value	Description
<a href="#">Control_reg0</a>	0x00000000	32	mixed	0x00000128	UART Control Register
<a href="#">mode_reg0</a>	0x00000004	32	mixed	0x00000000	UART Mode Register
<a href="#">Intrpt_en_reg0</a>	0x00000008	32	mixed	0x00000000	Interrupt Enable Register
<a href="#">Intrpt_dis_reg0</a>	0x0000000C	32	mixed	0x00000000	Interrupt Disable Register
<a href="#">Intrpt_mask_reg0</a>	0x00000010	32	ro	0x00000000	Interrupt Mask Register
<a href="#">Chnl_int_sts_reg0</a>	0x00000014	32	wtc	0x00000000	Channel Interrupt Status Register
<a href="#">Baud_rate_gen_reg0</a>	0x00000018	32	mixed	0x0000028B	Baud Rate Generator Register.
<a href="#">Rcvr_timeout_reg0</a>	0x0000001C	32	mixed	0x00000000	Receiver Timeout Register
<a href="#">Rcvr_FIFO_trigger_level0</a>	0x00000020	32	mixed	0x00000020	Receiver FIFO Trigger Level Register
<a href="#">Modem_ctrl_reg0</a>	0x00000024	32	mixed	0x00000000	Modem Control Register
<a href="#">Modem_sts_reg0</a>	0x00000028	32	mixed	x	Modem Status Register
<a href="#">Channel_sts_reg0</a>	0x0000002C	32	ro	0x00000000	Channel Status Register
<a href="#">TX_RX_FIFO0</a>	0x00000030	32	mixed	0x00000000	Transmit and Receive FIFO
<a href="#">Baud_rate_divider_reg0</a>	0x00000034	32	mixed	0x0000000F	Baud Rate Divider Register
<a href="#">Flow_delay_reg0</a>	0x00000038	32	mixed	0x00000000	Flow Control Delay Register
<a href="#">Tx_FIFO_trigger_level0</a>	0x00000044	32	mixed	0x00000020	Transmitter FIFO Trigger Level Register

### Register ([UART](#)) Control\_reg0

Name	Control_reg0
------	--------------

Software Name	CR
Relative Address	0x00000000
Absolute Address	uart0: 0xE0000000 uart1: 0xE0001000
Width	32 bits
Access Type	mixed
Reset Value	0x00000128
Description	UART Control Register

### Register Control\_reg0 Details

The UART Control register is used to enable and reset the transmitter and receiver blocks. It also controls the receiver timeout and the transmission of breaks.

Field Name	Bits	Type	Reset Value	Description
reserved	31:9	ro	0x0	Reserved, read as zero, ignored on write.
STPBRK (STOPBRK)	8	rw	0x1	Stop transmitter break: 0: no affect 1: stop transmission of the break after a minimum of one character length and transmit a high level during 12 bit periods. It can be set regardless of the value of STTBRK.
STTBRK (STARTBRK)	7	rw	0x0	Start transmitter break: 0: no affect 1: start to transmit a break after the characters currently present in the FIFO and the transmit shift register have been transmitted. It can only be set if STPBRK (Stop transmitter break) is not high.
RSTTO (TORST)	6	rw	0x0	Restart receiver timeout counter: 1: receiver timeout counter is restarted. This bit is self clearing once the restart has completed.
TXDIS (TX_DIS)	5	rw	0x1	Transmit disable: 0: enable transmitter 1: disable transmitter
TXEN (TX_EN)	4	rw	0x0	Transmit enable: 0: disable transmitter 1: enable transmitter, provided the TXDIS field is set to 0.
RXDIS (RX_DIS)	3	rw	0x1	Receive disable: 0: enable 1: disable, regardless of the value of RXEN

Field Name	Bits	Type	Reset Value	Description
RXEN (RX_EN)	2	rw	0x0	Receive enable: 0: disable 1: enable When set to one, the receiver logic is enabled, provided the RXDIS field is set to zero.
TXRES (TXRST)	1	rw	0x0	Software reset for Tx data path: 0: no affect 1: transmitter logic is reset and all pending transmitter data is discarded This bit is self clearing once the reset has completed.
RXRES (RXRST)	0	rw	0x0	Software reset for Rx data path: 0: no affect 1: receiver logic is reset and all pending receiver data is discarded. This bit is self clearing once the reset has completed.

### Register (UART) mode\_reg0

Name	mode_reg0
Software Name	MR
Relative Address	0x00000004
Absolute Address	uart0: 0xE0000004 uart1: 0xE0001004
Width	32 bits
Access Type	mixed
Reset Value	0x00000000
Description	UART Mode Register

#### Register mode\_reg0 Details

The UART Mode register defines the setup of the data format to be transmitted or received. If this register is modified during transmission or reception, data validity cannot be guaranteed.

Field Name	Bits	Type	Reset Value	Description
reserved	31:12	ro	0x0	Reserved, read as zero, ignored on write.
reserved	11	rw	0x0	Reserved. Do not modify.
reserved	10	rw	0x0	Reserved. Do not modify.

Field Name	Bits	Type	Reset Value	Description
CHMODE	9:8	rw	0x0	Channel mode: Defines the mode of operation of the UART. 00: normal 01: automatic echo 10: local loopback 11: remote loopback
NBSTOP	7:6	rw	0x0	Number of stop bits: Defines the number of stop bits to detect on receive and to generate on transmit. 00: 1 stop bit 01: 1.5 stop bits 10: 2 stop bits 11: reserved
PAR	5:3	rw	0x0	Parity type select: Defines the expected parity to check on receive and the parity to generate on transmit. 000: even parity 001: odd parity 010: forced to 0 parity (space) 011: forced to 1 parity (mark) 1xx: no parity
CHRL	2:1	rw	0x0	Character length select: Defines the number of bits in each character. 11: 6 bits 10: 7 bits 0x: 8 bits
CLKS (CLKSEL)	0	rw	0x0	Clock source select: This field defines whether a pre-scalar of 8 is applied to the baud rate generator input clock. 0: clock source is uart_ref_clk 1: clock source is uart_ref_clk/8

### Register ([UART](#)) Intrpt\_en\_reg0

Name	Intrpt_en_reg0
Software Name	IER
Relative Address	0x00000008
Absolute Address	uart0: 0xE0000008 uart1: 0xE0001008
Width	32 bits
Access Type	mixed

Reset Value                    0x00000000  
 Description                    Interrupt Enable Register

**Register Intrpt\_en\_reg0 Details**

This write only register is used to enable interrupts. When any bit is written high, the corresponding interrupt is enabled. Writing a low to any bit has no effect.

Field Name	Bits	Type	Reset Value	Description
reserved	31:13	ro	0x0	Reserved, read as zero, ignored on write.
TOVR	12	wo	0x0	Transmitter FIFO Overflow interrupt: 0: no affect 1: enable (clears mask = 0)
TNFUL	11	wo	0x0	Transmitter FIFO Nearly Full interrupt: 0: no affect 1: enable (clears mask = 0)
TTRIG	10	wo	0x0	Transmitter FIFO Trigger interrupt: 0: disable 1: enable
DMSI (IXR_DMS)	9	wo	0x0	Delta Modem Status Indicator interrupt: 0: no affect 1: enable (clears mask = 0)
TIMEOUT (IXR_TOUT)	8	wo	0x0	Receiver Timeout Error interrupt: 0: no affect 1: enable (clears mask = 0)
PARE (IXR_PARITY)	7	wo	0x0	Receiver Parity Error interrupt: 0: disable 1: enable
FRAME (IXR_FRAMING)	6	wo	0x0	Receiver Framing Error interrupt: 0: no affect 1: enable (clears mask = 0)
ROVR (IXR_OVER)	5	wo	0x0	Receiver Overflow Error interrupt: 0: no affect 1: enable (clears mask = 0)
TFUL (IXR_TXFULL)	4	wo	0x0	Transmitter FIFO Full interrupt: 0: no affect 1: enable (clears mask = 0)
EMPTY (IXR_TXEMPTY)	3	wo	0x0	Transmitter FIFO Empty interrupt: 0: disable 1: enable
RFUL (IXR_RXFULL)	2	wo	0x0	Receiver FIFO Full interrupt: 0: no affect 1: enable (clears mask = 0)

Field Name	Bits	Type	Reset Value	Description
REMPY (IXR_RXEMPTY)	1	wo	0x0	Receiver FIFO Empty interrupt: 0: no affect 1: enable (clears mask = 0)
RTRIG (IXR_RXOVR)	0	wo	0x0	Receiver FIFO Trigger interrupt: 0: no affect 1: enable (clears mask = 0)

### Register (UART) Intrpt\_dis\_reg0

Name	Intrpt_dis_reg0
Software Name	IDR
Relative Address	0x0000000C
Absolute Address	uart0: 0xE000000C uart1: 0xE000100C
Width	32 bits
Access Type	mixed
Reset Value	0x00000000
Description	Interrupt Disable Register

#### Register Intrpt\_dis\_reg0 Details

This write only register is used to disable interrupts. When any bit is written high, the corresponding interrupt is disabled. Writing a low to any bit has no effect.

Field Name	Bits	Type	Reset Value	Description
reserved	31:13	ro	0x0	Reserved, read as zero, ignored on write.
TOVR	12	wo	0x0	Transmitter FIFO Overflow interrupt: 0: no affect 1: disable (sets mask = 1)
TNFUL	11	wo	0x0	Transmitter FIFO Nearly Full interrupt: 0: no affect 1: disable (sets mask = 1)
TTRIG	10	wo	0x0	Transmitter FIFO Trigger interrupt: 0: no affect 1: disable (sets mask = 1)
DMSI (IXR_DMS)	9	wo	0x0	Delta Modem Status Indicator interrupt: 0: no affect 1: disable (sets mask = 1)

Field Name	Bits	Type	Reset Value	Description
TIMEOUT (IXR_TOUT)	8	wo	0x0	Receiver Timeout Error interrupt: 0: no affect 1: disable (sets mask = 1)
PARE (IXR_PARITY)	7	wo	0x0	Receiver Parity Error interrupt: 0: no affect 1: disable (sets mask = 1)
FRAME (IXR_FRAMING)	6	wo	0x0	Receiver Framing Error interrupt: 0: no affect 1: disable (sets mask = 1)
ROVR (IXR_OVER)	5	wo	0x0	Receiver Overflow Error interrupt: 0: no affect 1: disable (sets mask = 1)
TFUL (IXR_TXFULL)	4	wo	0x0	Transmitter FIFO Full interrupt: 0: no affect 1: disable (sets mask = 1)
EMPTY (IXR_TXEMPTY)	3	wo	0x0	Transmitter FIFO Empty interrupt: 0: no affect 1: disable (sets mask = 1)
RFUL (IXR_RXFULL)	2	wo	0x0	Receiver FIFO Full interrupt: 0: no affect 1: disable (sets mask = 1)
REEMPTY (IXR_RXEMPTY)	1	wo	0x0	Receiver FIFO Empty interrupt: 0: no affect 1: disable (sets mask = 1)
RTRIG (IXR_RXOVR)	0	wo	0x0	Receiver FIFO Trigger interrupt: 0: no affect 1: disable (sets mask = 1)

### Register ([UART](#)) Intrpt\_mask\_reg0

Name	Intrpt_mask_reg0
Software Name	IMR
Relative Address	0x00000010
Absolute Address	uart0: 0xE0000010 uart1: 0xE0001010
Width	32 bits
Access Type	ro
Reset Value	0x00000000



Description Interrupt Mask Register

Register Intrpt\_mask\_reg0 Details

This read only register, indicates the current state of the interrupts mask. A high value indicates the interrupt is unmasked and therefore is enabled to generate an interrupt. A low value indicates the interrupt is masked and therefore is disabled from generating an interrupt.

Field Name	Bits	Type	Reset Value	Description
reserved	31:13	ro	0x0	Reserved, read as zero, ignored on write.
TOVR	12	ro	0x0	Transmitter FIFO Overflow interrupt status: 0: interrupt is disabled 1: interrupt is enabled
TNFUL	11	ro	0x0	Transmitter FIFO Nearly Full interrupt mask status: 0: interrupt is disabled 1: interrupt is enabled
TTRIG	10	ro	0x0	Transmitter FIFO Trigger interrupt mask status: 0: interrupt is disabled 1: interrupt is enabled
DMSI (IXR_DMS)	9	ro	0x0	Delta Modem Status Indicator interrupt mask status: 0: interrupt is disabled 1: interrupt is enabled
TIMEOUT (IXR_TOUT)	8	ro	0x0	Receiver Timeout Error interrupt mask status: 0: interrupt is disabled 1: interrupt is enabled
PARE (IXR_PARITY)	7	ro	0x0	Receiver Parity Error interrupt mask status: 0: interrupt is disabled 1: interrupt is enabled
FRAME (IXR_FRAMING)	6	ro	0x0	Receiver Framing Error interrupt mask status: 0: interrupt is disabled 1: interrupt is enabled
ROVR (IXR_OVER)	5	ro	0x0	Receiver Overflow Error interrupt mask status: 0: interrupt is disabled 1: interrupt is enabled
TFUL (IXR_TXFULL)	4	ro	0x0	Transmitter FIFO Full interrupt mask status: 0: interrupt is disabled 1: interrupt is enabled
EMPTY (IXR_TXEMPTY)	3	ro	0x0	Transmitter FIFO Empty interrupt mask status: 0: interrupt is disabled 1: interrupt is enabled

Field Name	Bits	Type	Reset Value	Description
RFUL (IXR_RXFULL)	2	ro	0x0	Receiver FIFO Full interrupt mask status: 0: interrupt is disabled 1: interrupt is enabled
REMPY (IXR_RXEMPTY)	1	ro	0x0	Receiver FIFO Empty interrupt mask status: 0: interrupt is disabled 1: interrupt is enabled
RTRIG (IXR_RXOVR)	0	ro	0x0	Receiver FIFO Trigger interrupt mask status: 0: interrupt is enabled 1: interrupt is enabled

### Register (UART) Chnl\_int\_sts\_reg0

Name	Chnl_int_sts_reg0
Software Name	ISR
Relative Address	0x00000014
Absolute Address	uart0: 0xE0000014 uart1: 0xE0001014
Width	32 bits
Access Type	wtc
Reset Value	0x00000000
Description	Channel Interrupt Status Register

#### Register Chnl\_int\_sts\_reg0 Details

The Channel Interrupt Status register indicates any interrupt events that have occurred since this register was last cleared. The bits in this register are compared with the interrupt mask and used to assert the interrupt output.

This register indicated the unmasked status, allowing software to implement a polling method of interrupt handling.

Field Name	Bits	Type	Reset Value	Description
reserved	31:13	wtc	0x0	Reserved, read as zero, ignored on write.
TOVR	12	wtc	0x0	Transmitter FIFO Overflow interrupt mask status: This event is triggered whenever a new word is pushed into the transmit FIFO when there is not enough room for all of the data. This will be set as a result of any write when the TFUL flag in Channel_sts_reg0 is already set, or a double byte write when the TNFUL flag in Channel_sts_reg0 is already set. 0: no interrupt occurred 1: interrupt occurred

Field Name	Bits	Type	Reset Value	Description
TNFUL	11	wtc	0x0	<p>Transmitter FIFO Nearly Full interrupt mask status:</p> <p>This event is triggered whenever a new word is pushed into the transmit FIFO causing the fill level to be such that there is not enough space for a further write of the number of bytes currently specified in the WSIZE bits in the Mode register. If this further write were currently attempted it would cause an overflow.</p> <p>Note that when WSIZE is 00, this assumes that a two byte write would be attempted and hence a single byte write is still possible without overflow by driving byte_sel low for the write.</p> <p>0: no interrupt occurred 1: interrupt occurred</p>
TTRIG	10	wtc	0x0	<p>Transmitter FIFO Trigger interrupt mask status.</p> <p>This event is triggered whenever a new word is pushed into the transmit FIFO causing the fill level to become equal to the value defined by TTRIG.</p> <p>0: no interrupt occurred 1: interrupt occurred</p>
DMSI (IXR_DMS)	9	wtc	0x0	<p>Delta Modem Status Indicator interrupt mask status:</p> <p>This event is triggered whenever the DCTS, DDSR, TERI, or DDCD in the modem status register are being set.</p> <p>0: no interrupt occurred 1: interrupt occurred</p>
TIMEOUT (IXR_TOUT)	8	wtc	0x0	<p>Receiver Timeout Error interrupt mask status:</p> <p>This event is triggered whenever the receiver timeout counter has expired due to a long idle condition.</p> <p>0: no interrupt occurred 1: interrupt occurred</p>
PARE (IXR_PARITY)	7	wtc	0x0	<p>Receiver Parity Error interrupt mask status:</p> <p>This event is triggered whenever the received parity bit does not match the expected value.</p> <p>0: no interrupt occurred 1: interrupt occurred</p>
FRAME (IXR_FRAMING)	6	wtc	0x0	<p>Receiver Framing Error interrupt mask status:</p> <p>This event is triggered whenever the receiver fails to detect a valid stop bit.</p> <p>0: no interrupt occurred 1: interrupt occurred</p>

Field Name	Bits	Type	Reset Value	Description
ROVR (IXR_OVER)	5	wtc	0x0	Receiver Overflow Error interrupt mask status: This event is triggered whenever the contents of the receiver shift register have not yet been transferred to the receiver FIFO and a new start bit is detected. This may be due to the FIFO being full, or due to excessive clock boundary delays. 0: no interrupt occurred 1: interrupt occurred
TFUL (IXR_TXFULL)	4	wtc	0x0	Transmitter FIFO Full interrupt mask status: This event is triggered whenever a new word is inserted into the transmit FIFO causing it to go from a non-full condition to a full condition. 0: no interrupt occurred 1: interrupt occurred
TEMPY (IXR_TXEMPTY)	3	wtc	0x0	Transmitter FIFO Empty interrupt mask status: This event is triggered whenever the final word is removed from the transmit FIFO. 0: no interrupt occurred 1: interrupt occurred
RFUL (IXR_RXFULL)	2	wtc	0x0	Receiver FIFO Full interrupt mask status: This event is triggered whenever a new word is inserted into the receive FIFO causing it to go from a non-full condition to a full condition. 0: no interrupt occurred 1: interrupt occurred
REMPY (IXR_RXEMPTY)	1	wtc	0x0	Receiver FIFO Empty interrupt mask status: This event is triggered upon exit of the final word from the receive FIFO. 0: no interrupt occurred 1: interrupt occurred
RTRIG (IXR_RXOVR)	0	wtc	0x0	Receiver FIFO Trigger interrupt mask status: This event is triggered whenever a new word is inserted into the receive FIFO . 0: no interrupt occurred 1: interrupt occurred

### Register ([UART](#)) Baud\_rate\_gen\_reg0

Name                      Baud\_rate\_gen\_reg0  
 Software Name            BAUDGEN  
 Relative Address        0x00000018

Absolute Address      uart0: 0xE0000018  
                           uart1: 0xE0001018

Width                   32 bits

Access Type            mixed

Reset Value            0x0000028B

Description            Baud Rate Generator Register.

**Register Baud\_rate\_gen\_reg0 Details**

The read/write baud rate generator control register controls the amount by which to divide sel\_clk to generate the bit rate clock enable, baud\_sample.

Field Name	Bits	Type	Reset Value	Description
reserved	31:16	ro	0x0	Reserved, read as zero, ignored on write.
CD	15:0	rw	0x28B	Baud Rate Clock Divisor Value: 0: Disables baud_sample 1: Clock divisor bypass (baud_sample = sel_clk) 2 - 65535: baud_sample

**Register (UART) Rcvr\_timeout\_reg0**

Name                   Rcvr\_timeout\_reg0

Software Name         RXTOUT

Relative Address      0x0000001C

Absolute Address     uart0: 0xE000001C  
                           uart1: 0xE000101C

Width                 32 bits

Access Type           mixed

Reset Value           0x00000000

Description           Receiver Timeout Register

**Register Rcvr\_timeout\_reg0 Details**

The read/write Receiver Timeout register is used to enable the UART to detect an idle condition on the receiver data line. The timeout value (RTO) indicates the maximum delay for which the UART should wait for a new character to arrive before issuing a timeout interrupt.

Field Name	Bits	Type	Reset Value	Description
reserved	31:8	ro	0x0	Reserved, read as zero, ignored on write.
RTO	7:0	rw	0x0	Receiver timeout value: 0: Disables receiver timeout counter 1 - 255: Receiver timeout in number of baud_sample clocks.

### Register ([UART](#)) Rcvr\_FIFO\_trigger\_level0

Name	Rcvr_FIFO_trigger_level0
Software Name	RXWM
Relative Address	0x00000020
Absolute Address	uart0: 0xE0000020 uart1: 0xE0001020
Width	32 bits
Access Type	mixed
Reset Value	0x00000020
Description	Receiver FIFO Trigger Level Register

#### Register Rcvr\_FIFO\_trigger\_level0 Details

The read/write Receiver FIFO Trigger Level Register is used to set the value at which the receiver FIFO triggers an interrupt event.

Field Name	Bits	Type	Reset Value	Description
reserved	31:6	ro	0x0	Reserved, read as zero, ignored on write.
RTRIG	5:0	rw	0x20	Receiver FIFO trigger level value: 0: Disables receiver FIFO trigger level function 1 - 63:Trigger set when receiver FIFO fills to RTRIG bytes

### Register ([UART](#)) Modem\_ctrl\_reg0

Name	Modem_ctrl_reg0
Software Name	MODEMCR
Relative Address	0x00000024
Absolute Address	uart0: 0xE0000024 uart1: 0xE0001024
Width	32 bits
Access Type	mixed
Reset Value	0x00000000
Description	Modem Control Register

#### Register Modem\_ctrl\_reg0 Details

The read/write Modem Control register controls the interface with the modem or data set, or a peripheral device emulating a modem.

Field Name	Bits	Type	Reset Value	Description
reserved	31:6	ro	0x0	Reserved, read as zero, ignored on write.
FCM	5	rw	0x0	Automatic flow control mode: 0: disable Transmission is continuous regardless of the value of the EMIOUARTxCTSN input, and the EMIOUARTxRTSN output is driven completely under software control. 1: enable Transmission will only occur when the EMIOUARTxCTSN input is asserted low, and the EMIOUARTxRTSN output is driven using a compare of the RX FIFO fill level to the programmed FDEL value.
reserved	4:2	ro	0x0	Reserved, read as zero, ignored on write.
RTS	1	rw	0x0	Request to send output control: This bit is ignored if automatic flow control mode is enabled by FCM being high. If FCM is low, the value of this bit is inverted when applied to the EMIOUARTxRTSN output. 0: EMIOUARTxRTSN output forced to logic 1 1: EMIOUARTxRTSN output forced to logic 0
DTR	0	rw	0x0	Data Terminal Ready: The value of this bit is inverted when applied to the EMIOUARTxDTRN output. 0: EMIOUARTxDTRN output forced to logic 1 1: EMIOUARTxDTRN output forced to logic 0

### Register ([UART](#)) Modem\_sts\_reg0

Name	Modem_sts_reg0
Software Name	MODEMSR
Relative Address	0x00000028
Absolute Address	uart0: 0xE0000028 uart1: 0xE0001028
Width	32 bits
Access Type	mixed
Reset Value	x
Description	Modem Status Register

#### Register Modem\_sts\_reg0 Details

The Modem Status register indicates the current state of the control lines from the modem, or peripheral device, to the CPU. In addition, four bits of the modem status register provide change of state or delta

information. These bits are set to logic 1 whenever a control input from the modem changes state. In the default configuration, these delta bits are all cleared simultaneously when this register is read. This may be parameterised at compile time such that a one must be written to a bit in order to clear it and a read has no effect.

Field Name	Bits	Type	Reset Value	Description
reserved	31:9	ro	x	Reserved, read as zero, ignored on write.
FCMS	8	rw	x	Flow Control Mode: 0: disabled 1: enabled
DCD	7	ro	x	Data Carrier Detect (DCD) input signal from PL (EMIOUARTxDCDN) status: 0: input is high 1: input is low
RI	6	ro	x	Ring Indicator (RI) input signal from PL (EMIOUARTxRIN) status: 0: input is high 1: input is low
DSR	5	ro	x	Data Set Ready (DSR) input signal from PL (EMIOUARTxDSRN) status: 0: input is high 1: input is low
CTS	4	ro	x	Clear to Send (CTS) input signal from PL (EMIOUARTxCTSN) status: 0: input is high 1: input is low
DDCD (MEDEMSR_DCDX)	3	wtc	x	Delta Data Carrier Detect status: Indicates a change in state of the EMIOUARTxDCDN input since this bit was last cleared. 0: No change has occurred 1: Change has occurred
TERI (MEDEMSR_RIX)	2	wtc	x	Trailing Edge Ring Indicator status: Indicates that the EMIOUARTxRIN input has change from high to low state since this bit was last cleared. 0: No trailing edge has occurred 1: Trailing edge has occurred



Field Name	Bits	Type	Reset Value	Description
DDSR (MEDEMSR_DSRX)	1	wtc	x	Delta Data Set Ready status: Indicates a change in state of the EMIOUARTxDSRN input since this bit was last cleared. 0: No change has occurred 1: Change has occurred
DCTS (MEDEMSR_CTSX)	0	wtc	x	Delta Clear To Send status: Indicates a change in state of the EMIOUARTxCTSN input since this bit was last cleared. 0: No change has occurred 1: Change has occurred

### Register ([UART](#)) Channel\_sts\_reg0

Name	Channel_sts_reg0
Software Name	SR
Relative Address	0x0000002C
Absolute Address	uart0: 0xE000002C uart1: 0xE000102C
Width	32 bits
Access Type	ro
Reset Value	0x00000000
Description	Channel Status Register

#### Register Channel\_sts\_reg0 Details

The read only Channel Status register is provided to enable the continuous monitoring of the raw unmasked status information of the UART design.

Bits [4:0] and [14:10] are not latched and provide raw status of the FIFO flags, such that if the FIFO level changes these bits are updated immediately.

Field Name	Bits	Type	Reset Value	Description
reserved	31:15	ro	0x0	Reserved, read as zero, ignored on write.
TNFUL	14	ro	0x0	Transmitter FIFO Nearly Full continuous status: This indicates that there is not enough space for the number of bytes currently specified in the WSIZE bits in the Mode register. If a write were currently attempted it would cause an overflow. Note that when WSIZE is 00, this assumes that a two byte write would be attempted and hence a single byte write is still possible without overflow by driving byte_sel low for the write. 0: More than one byte is unused in the Tx FIFO 1: Only one byte is free in the Tx FIFO
TTRIG	13	ro	0x0	Transmitter FIFO Trigger continuous status: 0: Tx FIFO fill level is less than TTRIG 1: Tx FIFO fill level is greater than or equal to TTRIG
FDELT (FLOWDEL)	12	ro	0x0	Receiver flow delay trigger continuous status: 0: Rx FIFO fill level is less than FDEL 1: Rx FIFO fill level is greater than or equal to FDEL
TACTIVE	11	ro	0x0	Transmitter state machine active status: 0: inactive state 1: active state
RACTIVE	10	ro	0x0	Receiver state machine active status: 0: inactive state 1: active state
reserved	9	ro	0x0	Reserved. Do not modify.
reserved	8	ro	0x0	Reserved. Do not modify.
reserved	7	ro	0x0	Reserved. Do not modify.
reserved	6	ro	0x0	Reserved. Do not modify.
reserved	5	ro	0x0	Reserved. Do not modify.
TFUL (TXFULL)	4	ro	0x0	Transmitter FIFO Full continuous status: 0: Tx FIFO is not full 1: Tx FIFO is full
TEMPTY (TXEMPTY)	3	ro	0x0	Transmitter FIFO Empty continuous status: 0: Tx FIFO is not empty 1: Tx FIFO is empty
RFUL (RXFULL)	2	ro	0x0	Receiver FIFO Full continuous status: 1: Rx FIFO is full 0: Rx FIFO is not full

Field Name	Bits	Type	Reset Value	Description
EMPTY (RXEMPTY)	1	ro	0x0	Receiver FIFO Full continuous status: 0: Rx FIFO is not empty 1: Rx FIFO is empty
RTRIG (RXOVR)	0	ro	0x0	Receiver FIFO Trigger continuous status: 0: Rx FIFO fill level is less than RTRIG 1: Rx FIFO fill level is greater than or equal to RTRIG

### Register (UART) TX\_RX\_FIFO0

Name	TX_RX_FIFO0
Software Name	FIFO
Relative Address	0x00000030
Absolute Address	uart0: 0xE0000030 uart1: 0xE0001030
Width	32 bits
Access Type	mixed
Reset Value	0x00000000
Description	Transmit and Receive FIFO

#### Register TX\_RX\_FIFO0 Details

Field Name	Bits	Type	Reset Value	Description
reserved	31:8	ro	0x0	Reserved, read as zero, ignored on write.
FIFO	7:0	rw	0x0	Operates as Tx FIFO and Rx FIFO.

### Register (UART) Baud\_rate\_divider\_reg0

Name	Baud_rate_divider_reg0
Relative Address	0x00000034
Absolute Address	uart0: 0xE0000034 uart1: 0xE0001034
Width	32 bits
Access Type	mixed
Reset Value	0x0000000F
Description	Baud Rate Divider Register

### Register Baud\_rate\_divider\_reg0 Details

The baud rate divider register controls how much baud\_sample is divided by to generate the baud rate clock enables, baud\_rx\_rate and baud\_tx\_rate.

Field Name	Bits	Type	Reset Value	Description
reserved	31:8	ro	0x0	Reserved, read as zero, ignored on write.
BDIV	7:0	rw	0xF	Baud rate divider value: 0 - 3: ignored 4 - 255: Baud rate

### Register (UART) Flow\_delay\_reg0

Name	Flow_delay_reg0
Relative Address	0x00000038
Absolute Address	uart0: 0xE0000038 uart1: 0xE0001038
Width	32 bits
Access Type	mixed
Reset Value	0x00000000
Description	Flow Control Delay Register

### Register Flow\_delay\_reg0 Details

The Flow Control Delay register is only used if automatic flow control mode is enabled in the FCM field in the Modem Control register. When automatic flow control mode is enabled, this register specifies the receiver FIFO level at which the EMIOUARTxRTSN output is de-asserted. The EMIOUARTxRTSN output is only asserted again once the fill level drops to below four less than FDEL.

Field Name	Bits	Type	Reset Value	Description
reserved	31:6	ro	0x0	Reserved, read as zero, ignored on write.
FDEL	5:0	rw	0x0	RxFIFO trigger level for Ready To Send (RTS) output signal (EMIOUARTxRTSN) de-assertion: 0 - 3: Flow delay triggering is disabled, since minimum 4 word hysteresis cannot be satisfied. 4 to 65535: EMIOUARTxRTSN is driven high when Rx FIFO fill level equals FDEL

### Register (UART) Tx\_FIFO\_trigger\_level0

Name	Tx_FIFO_trigger_level0
Relative Address	0x00000044
Absolute Address	uart0: 0xE0000044 uart1: 0xE0001044

Width 32 bits  
 Access Type mixed  
 Reset Value 0x00000020  
 Description Transmitter FIFO Trigger Level Register

**Register Tx\_FIFO\_trigger\_level0 Details**

The read/write Transmitter FIFO Trigger Level Register is used to set the value at which the transmitter FIFO triggers an interrupt event.

Field Name	Bits	Type	Reset Value	Description
reserved	31:6	ro	0x0	Reserved, read as zero, ignored on write.
TTRIG	5:0	rw	0x20	Transmitter FIFO trigger level: 0: Disables transmitter FIFO trigger level function 1 - 63: Trigger set when transmitter FIFO fills to TTRIG bytes

## B.34 USB Controller (usb)

Module Name	USB Controller (usb)
Software Name	XUSBPS
Base Address	0xE0002000 usb0 0xE0003000 usb1
Description	USB controller registers
Vendor Info	Synopsys

### Register Summary

Register Name	Address	Width	Type	Reset Value	Description
<a href="#">ID</a>	0x00000000	32	ro	0xE441FA05	IP version and revision, read-only
<a href="#">HWGENERAL</a>	0x00000004	12	ro	0x00000083	Misc IP config constants, read-only
<a href="#">HWHOST</a>	0x00000008	32	ro	0x10020001	Host Mode IP config constants, read-only
<a href="#">HWDEVICE</a>	0x0000000C	6	ro	0x00000019	Device Mode IP config constants, read-only
<a href="#">HWTXBUF</a>	0x00000010	32	ro	0x80060A10	TxBuffer IP config constants, read-only
<a href="#">HWRXBUF</a>	0x00000014	32	ro	0x00000A10	IP constants, RX buffer constants, read-only
<a href="#">GPTIMER0LD</a>	0x00000080	24	rw	0x00000000	GP Timer 0 Load Value
<a href="#">GPTIMER0CTRL</a>	0x00000084	32	mixed	0x00000000	GP Timer 1 Control
<a href="#">GPTIMER1LD</a>	0x00000088	24	rw	0x00000000	GP Timer 1 Load Value
<a href="#">GPTIMER1CTRL</a>	0x0000008C	32	mixed	0x00000000	GP Timer 1 Control
<a href="#">SBUSCFG</a>	0x00000090	3	rw	0x00000003	DMA Master AHB Burst Mode
<a href="#">CAPLENGTH_HCI RSION</a>	0x00000100	32	ro	0x01000040	EHCI Addr Space and HCI constants, read-only
<a href="#">HCSPARAMS</a>	0x00000104	28	ro	0x00010011	TT counts and EHCI HCS constants, read-only
<a href="#">HCCPARAMS</a>	0x00000108	16	ro	0x00000006	EHCI Host configuration constants
<a href="#">DCIVERSION</a>	0x00000120	16	ro	0x00000001	Device Mode CI version constant
<a href="#">DCCPARAMS</a>	0x00000124	9	ro	0x0000018C	EHCI, device and endpoint capabilities

Register Name	Address	Width	Type	Reset Value	Description
<a href="#">USBCMD</a>	0x00000140	24	mixed	0x00080000	USB Commands (EHCI extended)
<a href="#">USBSTS</a>	0x00000144	26	mixed	0x00000000	Interrupt/Raw Status (EHCI extended) (Host/Device)
<a href="#">USBINTR</a>	0x00000148	26	mixed	0x00000000	Interrupts and Enables
<a href="#">FRINDEX</a>	0x0000014C	14	rw	0x00000000	Frame List Index
<a href="#">PERIODICLISTBASE_DEVICEADDR</a>	0x00000154	32	mixed	0x00000000	Host/Device Address dual-use
<a href="#">ASYNCLISTADDR_ENDPOINTLISTADDR</a>	0x00000158	32	mixed	0x00000000	Host/Device dual-use
<a href="#">TTCTRL</a>	0x0000015C	32	mixed	0x00000000	TT Control
<a href="#">BURSTSIZE</a>	0x00000160	17	rw	0x00001010	Burst Size
<a href="#">TXFILLTUNING</a>	0x00000164	22	mixed	0x00000000	TxFIFO Fill Tuning
<a href="#">TXTTFILLTUNING</a>	0x00000168	13	mixed	0x00000000	TT TX latency FIFO
<a href="#">IC_USB</a>	0x0000016C	32	mixed	0x00000000	Low and Fast Speed Control constants
<a href="#">ULPI_VIEWPORT</a>	0x00000170	32	mixed	0x08000000	ULPI Viewport
<a href="#">ENDPTNAK</a>	0x00000178	32	wtc	0x00000000	Endpoint NAK (Device mode)
<a href="#">ENDPTNAKEN</a>	0x0000017C	32	rw	0x00000000	Endpoint NAK (Device mode)
<a href="#">CONFIGFLAG</a>	0x00000180	32	ro	0x00000001	reserved
<a href="#">PORTSC1</a>	0x00000184	32	mixed	0x8C000004	Port Status & Control
<a href="#">OTGSC</a>	0x000001A4	32	mixed	0x00001020	OTG Status and Control
<a href="#">USBMODE</a>	0x000001A8	32	mixed	0x00000000	USB Mode Selection
<a href="#">ENDPTSETUPSTAT</a>	0x000001AC	16	wtc	0x00000000	Endpoint Status Setup (Device mode)
<a href="#">ENDPTPRIME</a>	0x000001B0	32	wtc	0x00000000	Endpoint Primer (Device mode)
<a href="#">ENDPTFLUSH</a>	0x000001B4	32	wtc	0x00000000	Endpoint Flush (Device mode)
<a href="#">ENDPTSTAT</a>	0x000001B8	32	ro	0x00000000	Endpoint Buffer Ready Status (Device mode), RO
<a href="#">ENDPTCOMPLETE</a>	0x000001BC	32	rw	0x00000000	Endpoint Tx Complete (Device mode)
<a href="#">ENDPTCTRL0</a>	0x000001C0	24	mixed	0x00800080	Endpoint 0 (Device mode)
<a href="#">ENDPTCTRL1</a>	0x000001C4	24	mixed	0x00000000	Endpoints 1 to 11 (Device mode)
<a href="#">ENDPTCTRL2</a>	0x000001C8	24	mixed	0x00000000	Endpoints 1 to 11 (Device mode)
<a href="#">ENDPTCTRL3</a>	0x000001CC	24	mixed	0x00000000	Endpoints 1 to 11 (Device mode)
<a href="#">ENDPTCTRL4</a>	0x000001D0	24	mixed	0x00000000	Endpoints 1 to 11 (Device mode)
<a href="#">ENDPTCTRL5</a>	0x000001D4	24	mixed	0x00000000	Endpoints 1 to 11 (Device mode)

Register Name	Address	Width	Type	Reset Value	Description
<a href="#">ENDPTCTRL6</a>	0x000001D8	24	mixed	0x00000000	Endpoints 1 to 11 (Device mode)
<a href="#">ENDPTCTRL7</a>	0x000001DC	24	mixed	0x00000000	Endpoints 1 to 11 (Device mode)
<a href="#">ENDPTCTRL8</a>	0x000001E0	24	mixed	0x00000000	Endpoints 1 to 11 (Device mode)
<a href="#">ENDPTCTRL9</a>	0x000001E4	24	mixed	0x00000000	Endpoints 1 to 11 (Device mode)
<a href="#">ENDPTCTRL10</a>	0x000001E8	24	mixed	0x00000000	Endpoints 1 to 11 (Device mode)
<a href="#">ENDPTCTRL11</a>	0x000001EC	24	mixed	0x00000000	Endpoints 1 to 11 (Device mode)

### Register ([usb](#)) ID

Name	ID
Relative Address	0x00000000
Absolute Address	usb0: 0xE0002000 usb1: 0xE0003000
Width	32 bits
Access Type	ro
Reset Value	0xE441FA05
Description	IP version and revision, read-only

#### Register ID Details

IP supplier controller identification (revision and synthesized configuration). Hardwired (constant value).

Field Name	Bits	Type	Reset Value	Description
CIVERSION	31:29	ro	0x7	Reserved, reads 111.
VERSION	28:25	ro	0x2	IP entire version code: [VERSION].[REVISION][TAG] refers to IP version 2.20a.
REVISION	24:21	ro	0x2	Refer to [VERSION].
TAG	20:16	ro	0x1	Refer to [VERSION].
reserved	15:14	ro	0x3	reserved, writes ignored.
NID	13:8	ro	0x3A	Controller ID: Ones complement of [ID].
reserved	7:6	ro	0x0	reserved, writes ignored.
ID	5:0	ro	0x5	Controller ID: USB controller supports HS, On-the-Go, and FS/LS.

### Register ([usb](#)) HWGENERAL

Name	HWGENERAL
------	-----------



Relative Address            0x00000004  
 Absolute Address        usb0: 0xE0002004  
                               usb1: 0xE0003004  
 Width                      12 bits  
 Access Type                ro  
 Reset Value                0x00000083  
 Description                Misc IP config constants, read-only

### Register HWGENERAL Details

General hardware parameters provided by the IP supplier and defined by Xilinx for synthesis.  
 Hardwired (constant value). Bits [31:12] are reserved.

Field Name	Bits	Type	Reset Value	Description
SM	11:10	ro	0x0	VUSB_HS_PHY_SERIAL constant. 0: Parallel I/O Port interface. Note: VUSB_HS_PHY_UTMI = 0 (UTMI not used) and VUSB_HS_PHY_ULPI = 1 (ULPI implemented).
PHYM	9:6	ro	0x2	VUSB_HS_PHY_TYPE constant. 0010: 8-bit ULPI single data rate I/O interface.
PHYW	5:4	ro	0x0	VUSB_HS_PHY16_8 constant. 0: 8-bit data bus
BWT	3	ro	0x0	reserved
CLKC	2:1	ro	0x1	VUSB_HS_CLOCK_CONFIGURATION constant. 1: CPU_1x clock must have a higher frequency than the UTMI clock (60 MHz).
RT	0	ro	0x1	VUSB_HS_RESET_TYPE constant. 1: Asynchronous Reset

### Register ([usb](#)) HWHOST

Name                        HWHOST  
 Relative Address        0x00000008  
 Absolute Address        usb0: 0xE0002008  
                               usb1: 0xE0003008  
 Width                      32 bits  
 Access Type                ro  
 Reset Value                0x10020001

Description Host Mode IP config constants, read-only

Register HWHOST Details

Field Name	Bits	Type	Reset Value	Description
TTPER	31:24	ro	0x10	VUSB_HS_TT_PERIODIC_CONTEXTS constant. 0x010: Sixteen periodic contexts in TT.
TTASY	23:16	ro	0x2	VUSB_HS_TT_ASYNC_CONTEXTS constant. 0x02: Two asynchronous contexts in TT.
	15:4	ro	0x0	reserved
NPORT	3:1	ro	0x0	VUSB_HS_NUM_PORT constant. 000: one downstream port supported.
HC	0	ro	0x1	VUSB_HS_HOST constant. 1: Host mode supported.

Register ([usb](#)) HWDEVICE

Name HWDEVICE  
 Relative Address 0x0000000C  
 Absolute Address usb0: 0xE000200C  
 usb1: 0xE000300C  
 Width 6 bits  
 Access Type ro  
 Reset Value 0x00000019  
 Description Device Mode IP config constants, read-only

Register HWDEVICE Details

Field Name	Bits	Type	Reset Value	Description
DEVEP	5:1	ro	0xC	VUSB_HS_DEV_EP constant. 0x0C: Twelve endpoints supported (EP 0 to 11).
DC	0	ro	0x1	Controller supports Device Mode.

Register ([usb](#)) HWTXBUF

Name HWTXBUF  
 Relative Address 0x00000010  
 Absolute Address usb0: 0xE0002010  
 usb1: 0xE0003010  
 Width 32 bits

Access Type                ro  
 Reset Value                0x80060A10  
 Description                TxBuffer IP config constants, read-only

Register HWTXBUF Details

Field Name	Bits	Type	Reset Value	Description
reserved	31	ro	0x1	reserved
reserved	30:24	ro	0x0	reserved
TXCHANADD	23:16	ro	0x6	VUSB_HS_TX_CHAN_ADD constant. 0x06: Six address bits for each 64-byte endpoint TxBuffer (VBUS_HS_TX_CHAN = 64).
TXADD	15:8	ro	0xA	VUSB_HS_TX_ADD constant. 0x0A0: 10-bit address. TxBuffer size is 768.
TXBURST	7:0	ro	0x10	VUSB_HS_TX_BURST constant. 0x010: 16-byte bursts on AHB by DMA engine.

Register ([usb](#)) HWRXBUF

Name                        HWRXBUF  
 Relative Address            0x00000014  
 Absolute Address            usb0: 0xE0002014  
                                   usb1: 0xE0003014  
 Width                        32 bits  
 Access Type                ro  
 Reset Value                0x00000A10  
 Description                IP constants, RX buffer constants, read-only

Register HWRXBUF Details

Field Name	Bits	Type	Reset Value	Description
	31:24	ro	0x0	reserved
RXADD	15:8	ro	0xA	VUSB_HS_RX_ADD constant. 0x0A0: 10-bit address. RxBuffer address size is 1024.
RXBURST	7:0	ro	0x10	VUSB_HS_RX_BURST constant. 0x010: 16-byte bursts on AHB by DMA engine.

### Register ([usb](#)) GPTIMER0LD

Name	GPTIMER0LD
Relative Address	0x00000080
Absolute Address	usb0: 0xE0002080 usb1: 0xE0003080
Width	24 bits
Access Type	rw
Reset Value	0x00000000
Description	GP Timer 0 Load Value

#### Register GPTIMER0LD Details

Field Name	Bits	Type	Reset Value	Description
GPTLD	23:0	rw	0x0	General Purpose Timer Load Value. This field is loaded into the usb.GPTIMERxCTRL [GPTCNT] countdown timer. The value represents the time in microseconds minus 1 for the timer duration. Example: for a one millisecond timer, load 1000 - 1 = 999 (0x0003E7). Note: Maximum value is 0xFF_FFFF (16.777215 seconds).

### Register ([usb](#)) GPTIMER0CTRL

Name	GPTIMER0CTRL
Relative Address	0x00000084
Absolute Address	usb0: 0xE0002084 usb1: 0xE0003084
Width	32 bits
Access Type	mixed
Reset Value	0x00000000
Description	GP Timer 1 Control

#### Register GPTIMER0CTRL Details

This register contains the control for the timer and a data field, which can be queried to determine the running count value.

Field Name	Bits	Type	Reset Value	Description
GPTRUN	31	rw	0x0	General Purpose Timer Enable. 0: disable. 1: enable. The setting of [GPTRUN] will not have an effect on the [GPTCNT] counter value.
GPTRST	30	wo	0x0	General Purpose Timer Reset. Write 1 to reload. 0: no affect. 1: Reload the [GPTCNT] with the value in [GPTLD].
	29:25	ro	0x0	reserved
GPTMODE	24	rw	0x0	Select Countdown Timer mode. 0: One Shot (single timer countdown). The timer will count down to zero, generate an interrupt and stop until the counter is reset by software. 1: Repeat (looped countdown). The timer will count down to zero, generate an interrupt and automatically reload the counter to begin again.
GPTCNT	23:0	rw	0x0	General Purpose Countdown Timer. Value of the running timer.

### Register ([usb](#)) GPTIMER1LD

Name	GPTIMER1LD
Relative Address	0x00000088
Absolute Address	usb0: 0xE0002088 usb1: 0xE0003088
Width	24 bits
Access Type	rw
Reset Value	0x00000000
Description	GP Timer 1 Load Value

#### Register GPTIMER1LD Details

Field Name	Bits	Type	Reset Value	Description
GPTLD	23:0	rw	0x0	Refer to description for GPTIMER0LD [GPTLD].

### Register ([usb](#)) GPTIMER1CTRL

Name	GPTIMER1CTRL
Relative Address	0x0000008C

Absolute Address      usb0: 0xE000208C  
                               usb1: 0xE000308C

Width                    32 bits

Access Type            mixed

Reset Value            0x00000000

Description            GP Timer 1 Control

Register GPTIMER1CTRL Details

Field Name	Bits	Type	Reset Value	Description
GPTRUN	31	rw	0x0	Refer to GPTIMER0CTRL [GPTRUN].
GPTRST	30	wo	0x0	Refer to GPTIMER0CTRL [GPTRST].
	29:25	ro	0x0	reserved
GPTMODE	24	rw	0x0	Refer to GPTIMER0CTRL [GPTMODE].
GPTCNT	23:0	rw	0x0	Refer to GPTIMER0CTRL [GPTCNT].

Register ([usb](#)) SBUSCFG

Name                    SBUSCFG

Relative Address      0x00000090

Absolute Address      usb0: 0xE0002090  
                               usb1: 0xE0003090

Width                    3 bits

Access Type            rw

Reset Value            0x00000003

Description            DMA Master AHB Burst Mode

Register SBUSCFG Details

Field Name	Bits	Type	Reset Value	Description
AHBBRST	2:0	rw	0x3	VUSB_HS_AHBBRST constant.

Register ([usb](#)) CAPLENGTH\_HCIVERSION

Name                    CAPLENGTH\_HCIVERSION

Relative Address      0x00000100

Absolute Address      usb0: 0xE0002100  
                               usb1: 0xE0003100

Width                    32 bits

Access Type                ro  
 Reset Value                0x01000040  
 Description                EHCI Addr Space and HCI constants, read-only

Register CAPLENGTH\_HCIVERSION Details

Field Name	Bits	Type	Reset Value	Description
HCIVERSION	31:16	ro	0x100	VUSB_HS_HCIVERSION constant. Host Mode (EHCI). Read-only.
CAPLENGTH	15:0	ro	0x40	Address space taken by the Capability registers. Host Mode (EHCI). Read-only. 0x100: add this offset to the address of the first Capability register to get the address of the first Operational register.

Register ([usb](#)) HCSPARAMS

Name                        HCSPARAMS  
 Relative Address            0x00000104  
 Absolute Address          usb0: 0xE0002104  
                                   usb1: 0xE0003104  
 Width                        28 bits  
 Access Type                ro  
 Reset Value                0x00010011  
 Description                TT counts and EHCI HCS constants, read-only

Register HCSPARAMS Details

Port steering logic capabilities are confined to the single host port implementation..

Field Name	Bits	Type	Reset Value	Description
N_TT	27:24	ro	0x0	Transaction Translators (TT), read-only. 0: none.
N_PTT	23:20	ro	0x0	Number of ports per TT, read-only. 0: single host port.
reserved	19:17	ro	0x0	reserved.
PI	16	ro	0x1	Port Indicator (EHCI contant), read-only. 1: indicator available via EMIO, controlled by usb.PORTSC1 [PIC].
N_CC	15:12	ro	0x0	Companion controller hardware (EHCI constant). 0: no companion controller hardware, refer to the embeded Transaction Translator (TT).

Field Name	Bits	Type	Reset Value	Description
N_PCC	11:8	ro	0x0	Ports supported by each Companion Controller (EHCI constant). 0: no companion controller hardware refer to the embeded Transaction Translator (TT).
reserved	7:5	ro	0x0	reserved
PPC	4	ro	0x1	VBUS Power Control (EHCI constant). 1: signal avaiable via EMIO, see PORTSC1 [PP].
N_PORTS	3:0	ro	0x1	Downstream ports (EHCI constant). 1: one downstream port.

### Register ([usb](#)) HCCPARAMS

Name	HCCPARAMS
Relative Address	0x00000108
Absolute Address	usb0: 0xE0002108 usb1: 0xE0003108
Width	16 bits
Access Type	ro
Reset Value	0x00000006
Description	EHCI Host configuration constants

#### Register HCCPARAMS Details

This register identifies multiple mode control (time-base bit functionality) addressing capability

Field Name	Bits	Type	Reset Value	Description
EECP	15:8	ro	0x0	EHCI
IST	7:4	ro	0x0	Isochronous Scheduling Threshold. This field indicates, relative to the current position of the executing host controller, where software can reliably update the isochronous schedule.
	3	ro	0x0	reserved
ASP	2	ro	0x1	Park mode capability. Read-only. Enables the controller to execute a QH transactions successively before traversing to next QH.



Field Name	Bits	Type	Reset Value	Description
PFL	1	ro	0x1	Programmable Frame List sizes (Host mode). Software can specify the size of the frame list for the periodic schedule. Configure the size using the usb.USBCMD [FS2] [FS0] Frame List Size field: 8, 16, 32, .... 512, 1024.
ADC	0	ro	0x0	0: 32-bit system memory address.

### Register ([usb](#)) DCIVERSION

Name	DCIVERSION
Relative Address	0x00000120
Absolute Address	usb0: 0xE0002120 usb1: 0xE0003120
Width	16 bits
Access Type	ro
Reset Value	0x00000001
Description	Device Mode CI version constant

#### Register DCIVERSION Details

Field Name	Bits	Type	Reset Value	Description
DCIVERSION	15:0	ro	0x1	VUSB_HS_DCIVERSION constant.

### Register ([usb](#)) DCCPARAMS

Name	DCCPARAMS
Relative Address	0x00000124
Absolute Address	usb0: 0xE0002124 usb1: 0xE0003124
Width	9 bits
Access Type	ro
Reset Value	0x0000018C
Description	EHCI, device and endpoint capabilities

#### Register DCCPARAMS Details

Host and device mode capability.

Field Name	Bits	Type	Reset Value	Description
HC	8	ro	0x1	1: the controller supports EHCI compatible mode.
DC	7	ro	0x1	1: the controller supports Device mode.
	6:5	ro	0x0	reserved
DEN	4:0	ro	0xC	Number of endpoints supported in Device mode. 1100: 12 endpoints; control EP0 plus EP {11:1}.

### Register ([usb](#)) USBCMD

Name	USBCMD
Software Name	CMD
Relative Address	0x00000140
Absolute Address	usb0: 0xE0002140 usb1: 0xE0003140
Width	24 bits
Access Type	mixed
Reset Value	0x00080000
Description	USB Commands (EHCI extended)

#### Register USBCMD Details

The serial bus host/device controller executes the command indicated in this register

Field Name	Bits	Type	Reset Value	Description
ITC	23:16	rw	0x8	Interrupt Threshold Control (EHCI) (Host and mode). Program the maximum rate at which the host controller will issue an interrupt. 0x00: Immediate 0x01: 1 micro-frame. 0x02: 2 micro-frames. 0x04: 4 micro-frames. 0x08: 8 micro-frames. (1 ms) 0x10: 16 micro-frames. 0x20: 32 micro-frames. 0x40: 64 micro-frames. others: reserved.
FS2	15	rw	0x0	MSB bit of Frame List Size. Refer to [FS0] bit field for description.
ATDTW	14	rw	0x0	Add dTD TripWire (Host extended). This bit is used as a semaphore to ensure the proper addition of a new dTD to an active (primed) endpoint's linked list.

Field Name	Bits	Type	Reset Value	Description
SUTW	13	rw	0x0	Setup TripWire (Device mode). This semaphore is between the DCD and the hardware for extracting setup data from QH without any corruption. Refer to the chapter text for usage.
reserved	12	ro	0x0	reserved
ASPE	11	rw	0x0	Asynchronous Schedule Park Mode Enable (EHCI). This bit enables/disables the Asynchronous Schedule Park Mode if Asynchronous Park Capability bit in HCCPARAMS is one. Otherwise this bit is zero and Park Mode is disabled.
reserved	10	ro	0x0	reserved
ASP	9:8	rw	0x0	Asynchronous Schudule Park Capability is supported (EHCI). The default is 3. Use any value between 1 and 3. The value 3 gives the maximum throughput in terms of number endpoint transactions compared to 1 or 2.
LR	7	ro	0x0	Light Host/Device Controller Reset (EHCI). 0: not supported.
IAA	6	rw	0x0	Interrupt on Async Schedule Advance Doorbell (EHCI). 0: no affect 1: ring the doorbell when the controller advances the asynchronous schedule.
ASE	5	rw	0x0	Asynchronous Schedule Enable (EHCI) (Host mode). 0: disable Async Schedule processing (the current DMA transactions finishes). 1: enable Async Schedule processing (the memory address for the async schedule is programmed into usb.ASYNCLISTADDR).
PSE	4	rw	0x0	Periodic Schedule Enable (EHCI) (Host mode). 0: disable Periodic Schedule processing 1: enable Periodic Schedule Note: The memory address for the periodic schedule is programmed into usb.PERIODICLISTBASE.

Field Name	Bits	Type	Reset Value	Description
FS0 (FS01)	3:2	rw	0x0	Frame List Size (EHCI extended). usb.USBCMD [15] [3] [2] bits: 000: 1024 elements (4096 bytes) 001: 512 elements (2048 bytes) ... 111: 8 elements (32 bytes)
RST	1	rw	0x0	Controller Reset and Status (ECHI) (Host and Device mode).
RS	0	rw	0x0	Run/Stop (ECHI) (Host and Device modes). Device Mode: 0: the controller halts activity after the current packet transfer is complete. 1: the controller proceeds to execute the periodic and async schedules. Host Mode: 0: TBD 1: TBD

### Register ([usb](#)) USBSTS

Name	USBSTS
Software Name	ISR
Relative Address	0x00000144
Absolute Address	usb0: 0xE0002144 usb1: 0xE0003144
Width	26 bits
Access Type	mixed
Reset Value	0x00000000
Description	Interrupt/Raw Status (EHCI extended) (Host/Device)

#### Register USBSTS Details

Various USB bus and port interrupts, controller state status, controller event and general purpose timer interrupts.

Field Name	Bits	Type	Reset Value	Description
TI1 (IXR_TI1)	25	rw	0x0	GP timer 1 raw interrupt (Host/Device). Refer to [TI0] bit description.
TI0 (IXR_TI0)	24	rw	0x0	GP timer 0 raw interrupt status (Host/Device). Read -- 0: inactive. 1: active. Hardware sets this bit = 1 when the counter in the GPTIMER0CTRL register transitions to zero. Write -- 0: no effect. 1: clear this bit to 0.
reserved	23:20	ro	0x0	reserved
UPI (IXR_UP)	19	rw	0x0	Host Periodic raw interrupt status. (Host mode) Read -- 0: inactive. 1: active. Note: Hardware sets this bit = 1 when a periodic TD is completed with IOC = 1. Write -- 0: no effect. 1: clear the interrupt bit to 0.
UAI (IXR_UA)	18	rw	0x0	Host Async Schedule raw interrupt status. (Host mode) Read -- 0: inactive. 1: active. Note: Hardware sets this bit = 1 when an async TD is completed with IOC = 1. Write -- 0: no effect. 1: clear the interrupt bit to 0.
reserved	17	ro	0x0	RESERVED
NAKI (IXR_NAK)	16	ro	0x0	NAK Interrupt (Device mode), read-only. Read -- 0: inactive. 1: active. Note: Hardware sets this bit = 1 when the endpoint sends a NAK response and NAK bit is set. Write -- 0: no effect. 1: clear the interrupt bit to 0.

Field Name	Bits	Type	Reset Value	Description
AS (IXR_AS)	15	ro	0x0	Async Schedule Processing Status (EHCI) (Host mode), read-only. 0: inactive. 1: active, async schedule is enabled. Note: This status bit is used with the usb.USBCMD [ASE] enable bit. When the software sets usb.USBCMD [ASE], this bit reflects when HW really enabled processing async schedule.
PS (IXR_PS)	14	ro	0x0	Periodic Schedule Processing Status (EHCI) (Host mode), read-only. 0: inactive. 1: active, periodic schedule is enabled. Note: This status bit is used with the usb.USBCMD [PSE] enable bit. When the software sets usb.USBCMD [PSE], this bit reflects when HW really enabled processing periodic schedule.
RCL (IXR_RCL)	13	ro	0x0	Reclamation (EHCI) (Host mode), read-only. 0: unprocessed async transactions. 1: empty async schedule.
HCH (IXR_HCH)	12	ro	0x0	HCHaItd (EHCI) (Host mode). This bit is a zero whenever the Run/Stop bit is a one. The Controller sets this bit to one after it has stopped executing because of the Run/Stop bit being set to 0, either by software or by the Controller hardware (e.g. internal error).
reserved	11	ro	0x0	reserved
ULPII (IXR_ULPI)	10	rw	0x0	ULPI Event Completion Interrupt (Host and Device mode). 0: not completed. 1: completed (write 1 to clear).
reserved	9	ro	0x0	reserved
SLI (IXR_SLE)	8	rw	0x0	DCSuspend (Device mode). Write-to-clear. When the controller enters a suspend state from an active state, this bit will be set to a one. This bit is only cleared by software writing a 1 to it.

Field Name	Bits	Type	Reset Value	Description
SRI (IXR_SR)	7	rw	0x0	SOF Received (Device and Host mode). Indicates start-of-frame detected. 0: not detected 1: SOF detected by hardware (write 1 to clear) Device mode -- When the controller detects an SOF on the ULPI bus, this bit is set. This normally occurs at 1 ms or 125 us intervals. Host mode -- The controller sets this bit every 125 us. Host software can use this tic for a time base.
URI (IXR_UR)	6	rw	0x0	USB Reset Received (Device mode). Indicates a USB reset detected by hardware on ULPI bus. 0: not detected 1: reset detected by hardware (write 1 to clear)
AAI (IXR_AA)	5	rw	0x0	Async Schedule Advance (EHCI) (Host mode). The async advance interrupt can be generated when the controller advances the async schedule. 0: no change 1: controller advanced (write 1 to clear) This event is primed using the async advance doorbell bit, usb.USBCMD [6].
SEI	4	rw	0x0	System Error (EHCI). AHB interconnect. 0: no error detected. 1: AHB error received (write 1 to clear)
FRI (IXR_FRE)	3	rw	0x0	Frame List Rollover (EHCI?). Write-to-clear. Read: 0: no rollover. 1: roll over to frame element 0. Write: 0: no effect. 1: clear bit to 0.

Field Name	Bits	Type	Reset Value	Description
PCI (IXR_PC)	2	rw	0x0	Port Change Detect. The Controller in host mode sets this bit to a one when on any port a Connect Status occurs, a Port Enable/Disable Change occurs, or the Force Port Resume bit is set as the result of a J-K transition on the suspended port. The Controller in device mode sets this bit to a one when it detects resume signaling or the port controller enters the full or high-speed operational state. When the port controller exits the full or high-speed operation states due to Reset or Suspend events, the notification mechanisms are the USB Reset Received bit and the DCSuspend bits respectively.
UEI (IXR_UE)	1	rw	0x0	USB Error Interrupt. When completion of a USB transaction results in an error condition, this bit is set by the Controller
UI (IXR_UI)	0	rw	0x0	USB Packet Interrupt on Completion (IOC). Write-to-clear. This bit is set by the hardware in situations: * after a transaction descriptor (TD or dTD) is finished and it's interrupt on complete (IOC) bit set. * a short packet is detected. A short packet is when the actual number of bytes received was less than expected.

### Register ([usb](#)) USBINTR

Name	USBINTR
Software Name	IER
Relative Address	0x00000148
Absolute Address	usb0: 0xE0002148 usb1: 0xE0003148
Width	26 bits
Access Type	mixed
Reset Value	0x00000000
Description	Interrupts and Enables

#### Register USBINTR Details

The to software are enabled with this register. An interrupt is generated when a bit is set and the corresponding interrupt is active. The USB Status register (USBSTS) still shows interrupt sources even if they are disabled by the USBINTR register, allowing polling of interrupt events by the software.



Field Name	Bits	Type	Reset Value	Description
TIE1 (IXR_TI1)	25	rw	0x0	GP Timer 1 Interrupt Enable (Host/Device). 0: disable. 1: enable. Refer to raw interrupt status: USBSTS [TI1].
TIE0 (IXR_TI0)	24	rw	0x0	GP Timer 0 Interrupt Enable (Host/Device). 0: disable. 1: enable. Refer to raw interrupt status: USBSTS [TI0].
reserved	23:20	ro	0x0	reserved
UPEI (IXR_UP)	19	rw	0x0	Host Periodic Interrupt Enable (Host mode). 0: disable. 1: enable. Refer to raw interrupt status: USBSTS [UPI].
UAEI (IXR_UA)	18	rw	0x0	Host Async Interrupt Enable (Host mode). 0: disable. 1: enable. Refer to raw interrupt status: USBSTS [UAE].
reserved	17	ro	0x0	reserved
NAKEI (IXR_NAK)	16	ro	0x0	NAK Interrupt Enable (Device mode). 0: disable. 1: enable. Refer to raw interrupt status: USBSTS [NAKI].
reserved	11	ro	0x0	reserved [15:11]
ULPIE (IXR_ULPI)	10	rw	0x0	ULPI Interrupt Enable (Host/Device). 0: disable. 1: enable. Refer to raw interrupt status: USBSTS [ULPII].
reserved	9	ro	0x0	reserved
SLE (IXR_SLE)	8	rw	0x0	DCSuspend Interrupt Enable (Device mode). 0: disable. 1: enable. Refer to raw interrupt status: USBSTS [SLI].
SRE (IXR_SR)	7	rw	0x0	SOF Received Interrupt Enable (Device?). 0: disable. 1: enable. Refer to raw interrupt status: USBSTS [SRI].

Field Name	Bits	Type	Reset Value	Description
URE (IXR_UR)	6	rw	0x0	USB Reset Received Interrupt Enable (Device mode). 0: disable. 1: enable interrupt on receiving USB reset. Refer to raw interrupt status: USBSTS [URI].
AAE (IXR_AA)	5	rw	0x0	Async Advance Interrupt Enable (EHCI). 0: disable. 1: enable. Refer to raw interrupt status: USBSTS [AAI].
SEE	4	rw	0x0	System Error Interrupt Enable (EHCI). 0: disable. 1: enable. Refer to raw interrupt status: USBSTS [SEI].
FRE (IXR_FRE)	3	rw	0x0	Frame List Rollover Interrupt Enable (EHCI). 0: disable. 1: enable. Refer to raw interrupt status: USBSTS [FRI].
PCE (IXR_PC)	2	rw	0x0	Port Change Detect Interrupt Enable (EHCI). 0: disable. 1: enable. Refer to raw interrupt status: USBSTS [PCI].
UEE (IXR_UE)	1	wtc	0x0	USB Error Interrupt Enable (EHCI). 0: disable. 1: enable. Refer to raw interrupt status: USBSTS [UEI].
UE (IXR_UI)	0	rw	0x0	USB Interrupt Enable (EHCI). 0: disable. 1: enable. Refer to raw interrupt status: USBSTS [UI].

### Register ([usb](#)) FRINDEX

Name	FRINDEX
Software Name	FRAME
Relative Address	0x0000014C
Absolute Address	usb0: 0xE000214C usb1: 0xE000314C
Width	14 bits
Access Type	rw

Reset Value 0x00000000  
 Description Frame List Index

Register FRINDEX Details

This register is used by the host controller to index the periodic frame list. The register updates every 125 us (once each micro-frame).

Field Name	Bits	Type	Reset Value	Description
FRINDEX	13:0	rw	0x0	Frame Index (EHCI) (Host and Device mode). Host mode -- Read: current frame index value. Write: set the frame index value. Device mode -- Read-only: frame index from received packet.

Register ([usb](#)) PERIODICLISTBASE\_DEVICEADDR

Name PERIODICLISTBASE\_DEVICEADDR  
 Software Name LISTBASE  
 Relative Address 0x00000154  
 Absolute Address usb0: 0xE0002154  
 usb1: 0xE0003154  
 Width 32 bits  
 Access Type mixed  
 Reset Value 0x00000000  
 Description Host/Device Address dual-use

Register PERIODICLISTBASE\_DEVICEADDR Details

Host mode: PERIODICLISTBASE.  
 Device mode: Device Address Advance and

Field Name	Bits	Type	Reset Value	Description
PERBASE_USBADRA	31:25	rw	0x0	Host mode ---- Periodic List Base Address. Memory address bits [31:25]. Device Mode ---- Device Address Advance. When this bit is '0b', any writes to USBADR are instantaneous. When this bit is written to a '1' at the same time or before USBADR is written, the write to the USBADR field is staged and held in a hidden register. After an IN occurs on endpoint 0 and is ACKed, USBADR will be loaded from the hidden register. Hardware will automatically clear this bit on the following conditions: 1) IN is ACKed to endpoint 0. (USBADR is updated from hidden register). 2) OUT/SETUP occur to endpoint 0. (USBADR is not updated). 3) Device Reset occurs (USBADR is reset to 0).
PERBASE_USBADR	24	rw	0x0	Host mode ---- Periodic List Base Address. Memory address bits [24]. Device Mode ----
PERBASE_Reserved	23:12	rw	0x0	Host mode ---- Periodic List Base Address. Memory address bits [23:12]. Device Mode ---- Reserved.
reserved	11:0	ro	0x0	reserved

### Register ([usb](#)) ASYNCLISTADDR\_ENDPOINTLISTADDR

Name	ASYNCLISTADDR_ENDPOINTLISTADDR
Software Name	ASYNCLISTADDR
Relative Address	0x00000158
Absolute Address	usb0: 0xE0002158 usb1: 0xE0003158
Width	32 bits
Access Type	mixed
Reset Value	0x00000000
Description	Host/Device dual-use

#### Register ASYNCLISTADDR\_ENDPOINTLISTADDR Details

Host mode: ASYNCLISTADDR.

Device mode: ENDPOINTLISTADDR.

Field Name	Bits	Type	Reset Value	Description
ASYBASE_EPBASE	31:11	rw	0x0	Host mode -- Async List Base Address. Memory address bits [31:11] point to the Queue Heads (QH) . Refer to [ASYBASE} bit field for [10:5] address bits. Device Mode -- Endpoint List Base Address. Memory address bits [31:11] point to the Queue Heads (QH). There are unused memory locations. The stride for the base address is for a 16-endpoint model using both IN and OUT functions. However, twelve endpoints are implemented.
ASYBASE	10:5	rw	0x0	Host mode ---- Asynchronous List Base Address. Memory address bits [10:5]. Device Mode ---- Reserved.
reserved	4:0	ro	0x0	reserved

### Register ([usb](#)) TTCTRL

Name	TTCTRL
Relative Address	0x0000015C
Absolute Address	usb0: 0xE000215C usb1: 0xE000315C
Width	32 bits
Access Type	mixed
Reset Value	0x00000000
Description	TT Control

#### Register TTCTRL Details

This register contains parameters needed for internal TT operations.

Field Name	Bits	Type	Reset Value	Description
reserved	31	ro	0x0	reserved
TTHA (HUBADDR)	30:24	rw	0x0	Internal TT Hub Address Representation. This field is used to match against the Hub Address field in QH & siTD to determine if the packet is routed to the internal TT for directly attached FS/LS devices. If the Hub Address in the QH or siTD does not match this address then the packet will be broadcast on the High Speed ports destined for a downstream High Speed hub with the address in the QH/siTD.
reserved	23:2	ro	0x0	reserved

Field Name	Bits	Type	Reset Value	Description
TTAS	1	rw	0x0	Embedded TT Asynchronous Buffers Clear. This field will clear all pending transactions in the embedded TT Asynchronous Buffer(s). The clear will take as much time as necessary to clear buffer without interfering with a transaction in progress. TTAC will return to zero after being set by software only after the actual clear occurs. The TT supports up to two contexts.
TTAC	0	ro	0x0	Embedded TT Async Buffers Status. This read only bit will be '1' if one or more transactions are being held in the embedded TT Asynchronous Buffers. When this bit is a zero, then all outstanding transactions in the embedded TT have been flushed.

### Register ([usb](#)) BURSTSIZE

Name	BURSTSIZE
Relative Address	0x00000160
Absolute Address	usb0: 0xE0002160 usb1: 0xE0003160
Width	17 bits
Access Type	rw
Reset Value	0x00001010
Description	Burst Size

#### Register BURSTSIZE Details

This register controls the burst size used during data movement on the initiator/master interface.

Field Name	Bits	Type	Reset Value	Description
TXPBURST (TX)	16:8	rw	0x10	<p>Programmable TX Burst Length. Default is the constant VUSB_HS_TX_BURST. This register represents the maximum length of a burst in 32-bit words while moving data from system memory to the USB bus.</p> <p>If field AHBBRST of register SBUSCFG is different from zero, this field TXPBURST will return the value of the INCRx length.</p> <p>Supported values are integer values from 4 to 128. It is recommended to set this value to a integer sub-multiple of VUSB_HS_TX_CHAN. Different values will not use all the available buffer space, preventing proper TX endpoint priming in stream disable mode (SDIS bit of USBMODE register set to '1').</p>
RXPBURST (RX)	7:0	rw	0x10	<p>Programmable RX Burst Length. Default is the constant VUSB_HS_RX_BURST. This register represents the maximum length of a burst in 32-bit words while moving data from the USB bus to system memory. If field AHBBRST of register SBUSCFG is different from zero, this field RXPBRUST will return the value of the INCRx length.</p> <p>The supported values are integer values from 4 to 128. It is recommended to set this value to a integer sub-multiple of VUSB_HS_RX_DEPTH.</p>

### Register ([usb](#)) TXFILLTUNING

Name	TXFILLTUNING
Software Name	TXFILL
Relative Address	0x00000164
Absolute Address	usb0: 0xE0002164 usb1: 0xE0003164
Width	22 bits
Access Type	mixed
Reset Value	0x00000000
Description	TxFIFO Fill Tuning

#### Register TXFILLTUNING Details

The fields in this register control performance tuning associated with how the Controller posts data to the TX latency FIFO before moving the data onto the USB bus.

Field Name	Bits	Type	Reset Value	Description
TXFIFOTHRES (BURST)	21:16	rw	0x0	<p>FIFO Burst Threshold:</p> <p>This register controls the number of data bursts that are posted to the TX latency FIFO in host mode before the packet begins on to the bus. The minimum value is 2 and this value should be as low as possible to maximize USB performance. A higher value can be used in systems with unpredictable latency and/or insufficient bandwidth, where the FIFO may under run because the data transferred from the latency FIFO to USB occurs before it can be replenished from system memory. This value is ignored if the Stream Disable bit in USBMODE register is set (SDIS).</p>
reserved	15:13	ro	0x0	reserved
TXSCHEALTH (HEALTH)	12:8	rw	0x0	<p>Scheduler Health Counter.</p> <p>This register increments when the Controller fails to fill the TX latency FIFO to the level programmed by TXFIFOTHRES before running out of time to send the packet before the next Start-Of-Frame.</p> <p>This health counter measures the number of times this occurs to provide feedback to selecting a proper TXSCHOH. Writing to this register will clear the counter. This counter will max. at 31.</p>
reserved	7	ro	0x0	RESERVED
TXSCHOH (OVERHEAD)	6:0	rw	0x0	<p>Scheduler Overhead.</p> <p>This register adds an additional fixed offset to the schedule time estimator described above as Tff. As an approximation, the value chosen for this register should limit the number of back-off events captured in the TXSCHHEALTH to less than 10 per second in a highly utilized bus. Choosing a value that is too high for this register is not desired as it can needlessly reduce USB utilization.</p> <p>The time unit represented in this register is 1.267us when a device is connected in High-Speed Mode for OTG(on the go) &amp; SPH(single port host) implementations.</p> <p>The time unit represented in this register is 6.333us when a device is connected in Low/Full Speed Mode for OTG &amp; SPH implementations. The time unit represented in this register is always 1.267us for the MPH implementation</p>



### Register ([usb](#)) TXTTFILLTUNING

Name TXTTFILLTUNING  
 Relative Address 0x00000168  
 Absolute Address usb0: 0xE0002168  
 usb1: 0xE0003168  
 Width 13 bits  
 Access Type mixed  
 Reset Value 0x00000000  
 Description TT TX latency FIFO

#### Register TXTTFILLTUNING Details

This register provides a function similar to TXFILLTUNING except there is no equivalent to TXFIFOTHRES because the TT TX latency FIFO is always loaded in a single burst. Even

Field Name	Bits	Type	Reset Value	Description
TXTTSCHHEALTH	12:8	rw	0x0	TT Scheduler Health Counter Same description as TXSCHHEALTH
reserved	7:5	ro	0x0	reserved
TXTTSCHOH	4:0	rw	0x0	TT Scheduler Overhead Same description as TXSCHOH. The time unit represented in this register is 6.333us.

### Register ([usb](#)) IC\_USB

Name IC\_USB  
 Relative Address 0x0000016C  
 Absolute Address usb0: 0xE000216C  
 usb1: 0xE000316C  
 Width 32 bits  
 Access Type mixed  
 Reset Value 0x00000000  
 Description Low and Fast Speed Control constants

#### Register IC\_USB Details

This register enable and controls the IC\_USB FS/LS transceiver.

Field Name	Bits	Type	Reset Value	Description
IC8	31	ro	0x0	Inter-Chip transceiver enable 8. These bits enables the Inter-Chip transceiver for each port (for the MPH case). To enable the interface, the bits PTS must be set to '011b' in the PORTSC8. Writing a '1' to each bit selects the IC_USB interface for that port.
IC_VDD8	30:28	ro	0x0	Inter-Chip voltage selection 8 It selects which voltage is being supplied to the peripheral through each port This field is read-only and set to '000b' in case of device mode operation. This field is read-only and set to '000b' in case of Single port host controller.
IC7	27	ro	0x0	Inter-Chip transceiver enable 7. These bits enables the Inter-Chip transceiver for each port (for the MPH case). To enable the interface, the bits PTS must be set to '011b' in the PORTSC7. Writing a '1' to each bit selects the IC_USB interface for that port.
IC_VDD7	26:24	ro	0x0	Inter-Chip voltage selection 7 It selects which voltage is being supplied to the peripheral through each port This field is read-only and set to '000b' in case of device mode operation. This field is read-only and set to '000b' in case of Single port host controller.
IC6	23	ro	0x0	Inter-Chip transceiver enable 6. These bits enables the Inter-Chip transceiver for each port (for the MPH case). To enable the interface, the bits PTS must be set to '011b' in the PORTSC6. Writing a '1' to each bit selects the IC_USB interface for that port.
IC_VDD6	22:20	ro	0x0	Inter-Chip voltage selection 6 It selects which voltage is being supplied to the peripheral through each port This field is read-only and set to '000b' in case of device mode operation. This field is read-only and set to '000b' in case of Single port host controller.
IC5	19	ro	0x0	Inter-Chip transceiver enable 5. These bits enables the Inter-Chip transceiver for each port (for the MPH case). To enable the interface, the bits PTS must be set to '011b' in the PORTSC5. Writing a '1' to each bit selects the IC_USB interface for that port.

Field Name	Bits	Type	Reset Value	Description
IC_VDD5	18:16	ro	0x0	Inter-Chip voltage selection 5 It selects which voltage is being supplied to the peripheral through each port This field is read-only and set to '000b' in case of device mode operation. This field is read-only and set to '000b' in case of Single port host controller.
IC4	15	ro	0x0	Inter-Chip transceiver enable 4. These bits enables the Inter-Chip transceiver for each port (for the MPH case). To enable the interface, the bits PTS must be set to '011b' in the PORTSC4. Writing a '1' to each bit selects the IC_USB interface for that port.
IC_VDD4	14:12	ro	0x0	Inter-Chip voltage selection 4 It selects which voltage is being supplied to the peripheral through each port This field is read-only and set to '000b' in case of device mode operation. This field is read-only and set to '000b' in case of Single port host controller.
IC3	11	ro	0x0	Inter-Chip transceiver enable 3. These bits enables the Inter-Chip transceiver for each port (for the MPH case). To enable the interface, the bits PTS must be set to '011b' in the PORTSC3. Writing a '1' to each bit selects the IC_USB interface for that port.
IC_VDD3	10:8	ro	0x0	Inter-Chip voltage selection 3 It selects which voltage is being supplied to the peripheral through each port. This field is read-only and set to '000b' in case of device mode operation. This field is read-only and set to '000b' in case of Single port host controller.
IC2	7	ro	0x0	Inter-Chip transceiver enable 2. These bits enables the Inter-Chip transceiver for each port (for the MPH case). To enable the interface, the bits PTS must be set to '011b' in the PORTSC2. Writing a '1' to each bit selects the IC_USB interface for that port.
IC_VDD2	6:4	ro	0x0	Inter-Chip voltage selection 2 It selects which voltage is being supplied to the peripheral through each port. This field is read-only and set to '000b' in case of device mode operation. This field is read-only and set to '000b' in case of Single port host controller.

Field Name	Bits	Type	Reset Value	Description
IC1	3	rw	0x0	Inter-Chip transceiver enable 1. These bits enables the Inter-Chip transceiver for each port (for the MPH case). To enable the interface, the bits PTS must be set to '011b' in the PORTSC1. Writing a '1' to each bit selects the IC_USB interface for that port. If the Controller is not a MPH implementation, IC8 to IC2 will be '0' and Read-Only.
IC_VDD1	2:0	rw	0x0	Inter-Chip voltage selection 1 -- Host mode. Select the voltage being supplied to the peripheral: 000: No voltage 001: 1.0V 010: 1.2V 011: 1.5V 100: 1.8V 101: 3.0V 110, 111: reserved The voltage negotiation should happen between enabling port power (PP) in PORTSC1 register and asserting the run/stop bit in USBCMD register. Device Mode: Read-only and equals 000.

### Register ([usb](#)) ULPI\_VIEWPORT

Name	ULPI_VIEWPORT
Software Name	ULPIVIEW
Relative Address	0x00000170
Absolute Address	usb0: 0xE0002170 usb1: 0xE0003170
Width	32 bits
Access Type	mixed
Reset Value	0x08000000
Description	ULPI Viewport

#### Register ULPI\_VIEWPORT Details

The register provides indirect access to the ULPI PHY register set. Although the core performs access to the ULPI PHY register set, there may be extraordinary circumstances where software may need direct access.

Field Name	Bits	Type	Reset Value	Description
ULPIWU (WU)	31	rw	0x0	ULPI Wake Up Operation. Write: 0: no affect. 1: execute the Wake Up operation (no undoing). Read: 0: operation complete. 1: operation in-progress. Note: Do not issue a ULPI Wake Up and ULPI Read/Write (via Viewport operation) with the same register write.
ULPIRUN (RUN)	30	rw	0x0	ULPI Viewport Transaction. Write: 0: no affect. 1: execute the ULPI viewport transaction (no undoing). Read: 0: transaction complete. 1: transaction in-progress. Note: Do not issue a ULPI Wake Up and Viewport operations with the same register write.
ULPIRW (RW)	29	rw	0x0	ULPI Viewport Read/Write Select. 0: read operation. 1: write operation.
reserved	28	ro	0x0	reserved
ULPISS (SS)	27	ro	0x1	ULPI Synchronous State 0: In another state (i.e. carkit, serial, low power). 1: Normal synchronous state. This bit represents the state of the ULPI interface. Before reading this bit, the ULPIPORT field should be set accordingly if used in a MPH implementation.
ULPIPORT	26:24	rw	0x0	Reserved, always write 0.
ULPIADDR (ADDR)	23:16	rw	0x0	ULPI Data Address. When a read or write operation is commanded, the address of the operation is written to this field.
ULPIDATRD (DATRD)	15:8	ro	0x0	ULPI Data Read. After a read operation completes, the result is placed in this field.
ULPIDATWR (DATWR)	7:0	rw	0x0	ULPI Data Write. When a write operation is commanded, the data to be sent is written to this field

### Register ([usb](#)) ENDPTNAK

Name	ENDPTNAK
Software Name	EPNAKISR
Relative Address	0x00000178
Absolute Address	usb0: 0xE0002178 usb1: 0xE0003178
Width	32 bits
Access Type	wtc
Reset Value	0x00000000
Description	Endpoint NAK (Device mode)

#### Register ENDPTNAK Details

Field Name	Bits	Type	Reset Value	Description
EPTN	31:16	wtc	0x0	TX Endpoint NAK (Device mode). The Endpoint bit is set = 1 when the device controller sends a NAK handshake on a received IN token for the corresponding endpoint. Bit[16]: Endpoint 0. Bit[17]: Endpoint 1. ... Bit[28]: Endpoint 12. Bits[31:29]: reserved.
EPRN	15:0	wtc	0x0	RX Endpoint NAK (Device mode). The bit is set = 1 when the Controller sends a NAK handshake on a received OUT or PING token for the corresponding endpoint. Bit[0]: Endpoint 0. Bit[1]: Endpoint 1. ... Bit[12]: Endpoint 12. Bits[15:13]: reserved.

### Register ([usb](#)) ENDPTNAKEN

Name	ENDPTNAKEN
Software Name	EPNAKIER
Relative Address	0x0000017C
Absolute Address	usb0: 0xE000217C usb1: 0xE000317C
Width	32 bits

Access Type                rw  
 Reset Value                0x00000000  
 Description                Endpoint NAK (Device mode)

Register ENDPTNAKEN Details

Field Name	Bits	Type	Reset Value	Description
EPTNE	31:16	rw	0x0	TX Endpoint NAK Enable (Device mode). 0: disable. 1: enable. Each bit is an enable bit for the corresponding TX Endpoint NAK. If NAK is enabled and the corresponding TX Endpoint NAK bit is set, then the NAK Interrupt bit is set. Bit[16]: Endpoint 0. Bit[17]: Endpoint 1. ... Bit[28]: Endpoint 12. Bits[31:29]: reserved.
EPRNE	15:0	rw	0x0	RX Endpoint NAK Enable (Device mode). 0: disable. 1: enable. Each bit is an enable bit for the corresponding RX Endpoint NAK. If NAK is enabled and the corresponding RX Endpoint NAK bit is set, then the NAK Interrupt bit is set. Bit[0]: Endpoint 0. Bit[1]: Endpoint 1. ... Bit[12]: Endpoint 12. Bits[15:13]: reserved.

Register ([usb](#)) CONFIGFLAG

Name                        CONFIGFLAG  
 Relative Address            0x00000180  
 Absolute Address            usb0: 0xE0002180  
                                   usb1: 0xE0003180  
 Width                        32 bits  
 Access Type                ro  
 Reset Value                0x00000001  
 Description                reserved

Register CONFIGFLAG Details

Field Name	Bits	Type	Reset Value	Description
reserved	31:0	ro	0x1	reserved

Register ([usb](#)) PORTSC1

Name	PORTSC1
Software Name	PORTSCR1
Relative Address	0x00000184
Absolute Address	usb0: 0xE0002184 usb1: 0xE0003184
Width	32 bits
Access Type	mixed
Reset Value	0x8C000004
Description	Port Status & Control

Register PORTSC1 Details

The Controller implement one The number of port registers implemented by a particular instantiation is documented in the HCSPARAM register. Software uses this information as an input parameter to determine how many ports need service. This implement contains only 1 host port.

Field Name	Bits	Type	Reset Value	Description
PTS	31:30	rw	0x2	PHY Type Status constant (Host/Device). [PTS2] + [PTS] bit fields: 010: ULPI interface.
STS	29	ro	0x0	Serial Transceiver Select constant (Host/Device). VUSB_HS_PHY_SERIAL = 0. Serial interface engine (SIE) not implemented.
PTW	28	ro	0x0	Parallel Transceiver Width constant (Host/Device). 0: 8-bit (60MHz) UTMI+ interface to ULPI.
PSPD (PORTSCR_PSPD)	27:26	rw	0x3	Port Speed operating mode (Host/Device). 00: Full Speed 01: Low Speed 10: High Speed 11: Not connected (default)
PTS2	25	rw	0x0	Parallel Transceiver Select MSB (Host/Device). Refer to the [PTS] bit field for a description.



Field Name	Bits	Type	Reset Value	Description
PFSC (PORTSCR_PFSC)	24	rw	0x0	Port Force Full Speed Connect -- Debug. 0: ??? (default) 1: write a 1 to force the port to only connect at Full Speed. Writing a 1 disables the chirp sequence that allows the port to identify itself as High Speed. This is useful for testing FS configurations with a HS host, hub or device.
PHCD (PORTSCR_PHCD)	23	ro	0x0	PHY Low Power Clock Disable - RW. Default = 0b. Writing this bit to a '1b' will disable the PHY clock. Writing a '0b' enables it. Reading this bit will indicate the status of the PHY clock. NOTE: The PHY clock cannot be disabled if it is being used as the system clock. In device mode, the PHY can be put into Low Power Clock Disable when the device is not running (USBCMD RS=0b) or the host has signaled suspend (PORTSCx SUSP=1b). Low Power Clock Disable will be cleared automatically when the host has signaled resume. Before forcing a resume from the device, the Controller driver must clear this bit. In host mode, the PHY can be put into Low Power Suspend Clock Disable when the downstream device has been put into suspend mode or when no downstream device is connected. Low Power Clock Disable is completely under the control of software.
WKOC (PORTSCR_WKOC)	22	ro	0x0	Wake on Over-current Enable Writing '1' to this bit enables the port to be sensitive to over-current conditions as wakeup events. This field is zero if Port Power (PP) is '0' or in device mode. This bit is output from the controller as signal pwrctl_wake_ovrcurr_en for use by an external power control circuit. Only used in host mode.
WKDS (PORTSCR_WKDS)	21	rw	0x0	Wake on Disconnect Enable (Host mode). 0: disable 1: enable In device mode, always set = 0.
WKN (PORTSCR_WKN)	20	rw	0x0	Wake on Connect Enable (Host mode). 0: disable 1: enable In device mode, always set = 0.

Field Name	Bits	Type	Reset Value	Description
PTC (PORTSCR_PTC)	19:16	rw	0x0	Port Test Control. 0000: Normal operation. All others are test modes: 0001: J_STATE 0010: K_STATE 0011: SE0 (host) / NAK (device) 0100: Packet 0101: FORCE_ENABLE_HS 0110: FORCE_ENABLE_FS 0111: FORCE_ENABLE_LS Others: reserved
PIC (PORTSCR_PIC)	15:14	rw	0x0	Port Indicator Control outputs (EHCI) (Host mode). 00: Port indicators are off. 01: Amber (PL output signal EMIOUSBxPORTINDCTL0 is driven High). 10: Green (PL output signal EMIOUSBxPORTINDCTL1 is driven High). 11: undefined. Refer to the USB Specification Revision 2.0 for a description on how these bits are to be used.
PO (PORTSCR_PO)	13	ro	0x0	Port Owner hand off is not implemented. Hardwired to 0.
PP (PORTSCR_PP)	12	rw	0x0	Port Power enable (ECHI) (Host mode). Controls the PL output signal EMIOUSBxVBUSPWRSELECT. 0: disable, driven Low. 1: enable, driven High. This bit represents the current setting of the switch ('0'=off, '1'=on). When power is not available on a port (i.e. [PP] equals to '0'), the port is non-functional and will not report attaches, detaches, etc. When an over-current condition is detected on a powered port and [PPC] is a one, the [PP] bit in each affected port may be transitioned by the controller driver from '1' to '0'(removing power from the port).
LS (PORTSCR_LS)	11:10	ro	0x0	Line State: 00: SE0 01: J-state 10: K-state 11: undefined.

Field Name	Bits	Type	Reset Value	Description
HSP (PORTSCR_HSP)	9	ro	0x0	High-Speed Port status (Host and Device mode). 0: LS or FS mode 1: HS mode Note: [HSP] is redundant with [PSPD].
PR (PORTSCR_PR)	8	rw	0x0	Port Reset - RW. Default = 0b. This field is zero if Port Power(PP) is '0'. Host mode: 1=Port is in Reset. 0=Port is not in Reset. Device Mode: This bit is a read only status bit. Device reset from the USB bus is also indicated in the USBSTS register
SUSP (PORTSCR_SUSP)	7	rw	0x0	Suspend Host mode: 1=Port in suspend state. 0=Port not in suspend state. Port Enabled bit and Suspend bit of this register define the port states as follows: Bits [Port Enabled, Suspend] Port State 0x Disable 10 Enable 11 Suspend Device mode: Read Only. 1=Port in suspend state. 0=Port not in suspend state. In device mode this bit is a read only status bit.
FPR (PORTSCR_FPR)	6	rw	0x0	Force Port Resume 1= Resume detected/driven on port. 0=No resume (K-state) detected/driven on port.
OCC (PORTSCR_OCC)	5	rw	0x0	Over-current Change This bit gets set to '1' when there is a change to Over-current Active. Software clears this bit by writing a '1' to this bit position. When in host mode implementations the user can provide over-current detection to the vbus_pwr_fault input for this condition. For device mode this bit shall always be '0'.
OCA (PORTSCR_OCA)	4	ro	0x0	Over-current Active Value Meaning '1b' -> This port currently has an over-current condition. '0b' -> This port does not have an over-current condition. This bit will automatically transition from '1' to '0' when the over current condition is removed. For host mode implementations the user can provide over-current detection to the vbus_pwr_fault input for this condition. For device mode implementations this bit shall always be '0'.

Field Name	Bits	Type	Reset Value	Description
PEC (PORTSCR_PEC)	3	wtc	0x0	<p>Port Enabled Change</p> <p>If set to '1' indicates a Port Enabled/Disabled status change.</p> <p>Host mode:</p> <p>For the root hub, this bit gets set to a '1' only when a port is disabled due to disconnect on the port or due to the appropriate conditions existing at the EOF2 point (See Chapter 11 of the USB Specification). Software clears this by writing a '1' to it. This field is '0' if Port Power(PP) is '0'.</p> <p>Device mode:</p> <p>The device port is always enabled. (This bit will be '0').</p>
PE (PORTSCR_PE)	2	wtc	0x1	<p>Port Enabled</p> <p>1 -&gt; Enable</p> <p>0-&gt; Disable</p> <p>Host mode:</p> <p>Ports can only be enabled by Controller as a part of the reset and enable. Software cannot enable a port by writing a '1' to this field. Ports can be disabled by either a fault condition (disconnect event or other fault condition) or by the software. This field is '0' if Port Power(PP) is '0' in host mode.</p> <p>Device mode:</p> <p>The device port is always enabled. (This bit will be always '1').</p>

Field Name	Bits	Type	Reset Value	Description
CSC (PORTSCR_CSC)	1	wtc	0x0	<p>Connect Status Change</p> <p>If set to '1' indicates a change in Current Connect Status (CCS).</p> <p>Host mode:</p> <p>Indicates a change has occurred in the port's Current Connect Status. The Controller sets this bit for all changes to the port device connect status, even if system software has not cleared an existing connect status change. For example, the insertion status changes twice before system software has cleared the changed condition, hub hardware will be 'setting' an already-set bit (i.e., the bit will remain set). Software clears this bit by writing a '1' to it. This field is '0' if Port Power(PP) is '0' in host mode.</p> <p>Device mode:</p> <p>This bit is undefined in device mode.</p>
CCS (PORTSCR_CCS)	0	ro	0x0	<p>Current Connect Status.</p> <p>Host mode:</p> <p>1 -&gt; Device is present on port. 0 -&gt; No device is present.</p> <p>Device mode:</p> <p>1 -&gt; Attached. 0 -&gt; Not Attached.</p>

### Register ([usb](#)) OTGSC

Name	OTGSC
Software Name	OTGCSR
Relative Address	0x000001A4
Absolute Address	usb0: 0xE00021A4 usb1: 0xE00031A4
Width	32 bits
Access Type	mixed
Reset Value	0x00001020
Description	OTG Status and Control

#### Register OTGSC Details

The OTGSC register has four sections:

- \* OTG Interrupt enables (Read/Write)
- \* OTG Interrupt status (Read/Write to Clear)

\* OTG Status inputs (Read Only)

\* OTG Controls (Read/Write)

IP Config Note: The Controller implements one On-The-Go (OTG) Status and Control register.

Field Name	Bits	Type	Reset Value	Description
reserved	31	ro	0x0	reserved
DPIE (OTGSC_DPIE)	30	rw	0x0	Data Pulse Interrupt Enable. 0: disable. 1: enable usb.OTGSC [DPIS] interrupt.
1msE (OTGSC_1MSE)	29	rw	0x0	1 ms Timer Interrupt Enable. 0: disable. 1: enable usb.OTGSC [1msS] interrupt.
BSEIE (OTGSC_BSEE)	28	rw	0x0	B Session End Interrupt Enable. 0: disable. 1: enable usb.OTGSC [BSEIS] interrupt.
BSVIE (OTGSC_BSVIE)	27	rw	0x0	B Session Valid Interrupt Enable. 0: disable. 1: enable usb.OTGSC [BSVIS] interrupt.
ASVIE (OTGSC_ASVIE)	26	rw	0x0	A Session Valid Interrupt Enable. 0: disable. 1: enable usb.OTGSC [ASVIS] interrupt.
AVVIE (OTGSC_AVVIE)	25	rw	0x0	Interrupt Enable. 0: disable. 1: enable usb.OTGSC [AVVIS] interrupt.
IDIE (OTGSC_IDIE)	24	rw	0x0	USB ID Interrupt Enable. 0: disable. 1: enable usb.OTGSC [IDIS] interrupt.
reserved	23	ro	0x0	reserved
DPIS (OTGSC_DPIS)	22	wtc	0x0	Data Pulse Interrupt Status. 0: no pulses detected. 1: pulses detected. Write 1 to clear bit. The pulses being detected can be on DP or DM. Data bus pulsing is only detected when usb.USBMODE [CM] = 11 (Host mode) and usb.PORTSC0 [PP] = 0 (off). Non-latched status can be read using the [DPS] bit.
1msS (OTGSC_1MSS)	21	wtc	0x0	1 millisecond Timer Interrupt Status. 0: no timer alert. 1: timer alert. Write 1 to clear bit. The hardware sets this bit every 1 milliseconds (based on a timer using 60 MHz ULPI).

Field Name	Bits	Type	Reset Value	Description
BSEIS (OTGSC_BSEIS)	20	wtc	0x0	B Session End Interrupt Status. 0: no event detected. 1: event detected. Write 1 to clear bit. This bit is set when VBus has fallen below the B session end threshold.
BSVIS (OTGSC_BSVIS)	19	wtc	0x0	B Session Valid Interrupt Status. 0: no event detected. 1: event detected. Write 1 to clear bit. This bit is set when VBus has either risen above or fallen below the B session valid threshold (0.8 VDC).
ASVIS (OTGSC_ASVIS)	18	wtc	0x0	A Session Valid Interrupt Status. 0: no event detected. 1: event detected. Write 1 to clear bit. This bit is set when VBus has either risen above or fallen below the B session valid threshold (0.8 VDC).
AVVIS (OTGSC_AVVIS)	17	wtc	0x0	A Session End Interrupt Status. 0: no event detected. 1: event detected. Write 1 to clear bit. This bit is set when VBus has either risen above or fallen below the VBus valid threshold (4.4 VDC) on an A device.
IDIS (OTGSC_IDIS)	16	wtc	0x0	USB ID Interrupt Status. 0: no interrupt latched 1: interrupt detected. Write 1 to clear this bit. This bit is set when a change on the ID input has been detected.
reserved	15	ro	0x0	reserved
DPS (OTGSC_DPS)	14	ro	0x0	Data Bus Pulsing Status, read-only. 0: no pulses being detected. 1: pulses are being detected. Note: refer to the [DPSI] bit for more information.
1msT (OTGSC_1MST)	13	ro	0x0	1 ms Timer High-Low Toggle, read-only. Software will usually read a 0. This bit toggles high-low every millisecond to set the [1msS] bit.
BSE (OTGSC_BSE)	12	ro	0x1	B Session End Status, read-only. 0: Vbus not below threshold. 1: Vbus below threshold.

Field Name	Bits	Type	Reset Value	Description
BSV (OTGSC_BSV)	11	ro	0x0	B Session Valid Indicates VBus is above the B session valid threshold.
ASV (OTGSC_ASV)	10	ro	0x0	A Session Valid Indicates VBus is above the A session valid threshold.
AVV (OTGSC_AVV)	9	ro	0x0	A VBus Valid. Indicates VBus is above the A VBus valid threshold.
ID (OTGSC_ID)	8	ro	0x0	USB ID'0' = A device, '1' = B device.
HABA (OTGSC_HABA)	7	rw	0x0	Hardware assisted B-Disconnect to A-connect. 0: disabled. 1: enable automatic B-Disconnect to A-Connect sequence.
HADP (OTGSC_HADP)	6	rw	0x0	Hardware assisted Data-Pulse 0: disable 1: hardware assisted data pulsing sequence starts.
IDPU (OTGSC_IDPU)	5	rw	0x1	ID Pullup. Control the ID Pullup resistor. 0: off (the ID input will not be sampled). 1: on.
DP (OTGSC_DP)	4	rw	0x0	Data Pulsing enable. 0: 1: pullup on DP is asserted for data pulsing during SRP.
OT (OTGSC_OT)	3	rw	0x0	OTG Termination 0: 1: This bit must be set when the Controller is in device mode. It controls the pulldown on DM.
HAAR (OTGSC_HAAR)	2	rw	0x0	Hardware Assist Auto-Reset'0' = Disabled, '1' = Enable automatic reset after connect on host port.
VC (OTGSC_VC)	1	rw	0x0	VBUS Charge Setting this bit causes the VBus line to be charged. This is used for VBus pulsing during SRP.
VD (OTGSC_VD)	0	rw	0x0	VBUS Discharge. Setting this bit causes VBus to discharge through a resistor.

### Register ([usb](#)) USBMODE

Name USBMODE



Software Name           MODE  
 Relative Address        0x000001A8  
 Absolute Address       usb0: 0xE00021A8  
                           usb1: 0xE00031A8  
 Width                   32 bits  
 Access Type            mixed  
 Reset Value            0x00000000  
 Description            USB Mode Selection

## Register USBMODE Details

Field Name	Bits	Type	Reset Value	Description
SRT	15	rw	0x0	Reseverd, set = 0. (Shorten Reset Time)
reserved	14:6	ro	0x0	reserved
VBPS	5	rw	0x0	Vbus Power Select'0' -> Output is '0' '1' -> Output is '1' This bit is connected to the vbus_pwr_select output and can be used for any generic control but is named to be used by logic that selects between an on-chip Vbus power source (charge pump) and an off-chip source in systems when both are available. Only used in host mode.
SDIS	4	rw	0x0	Stream Disable Mode'0' -> Inactive'1' -> Active Device mode: Setting to a '1' disables double priming on both RX and TX for low bandwidth systems. Host Mode: Setting to a '1' ensures that overruns/under runs of the latency FIFO are eliminated for low bandwidth systems where the RX and TX buffers are sufficient to contain the entire packet.
SLOM	3	rw	0x0	Setup Lockout Mode This bit controls behavior of the setup lock mechanism.'0' -> Setup Lockouts On.'1' -> Setup Lockouts Off (DCD requires use of Setup Data Buffer Tripwire in USBCMD). Only used in device mode

Field Name	Bits	Type	Reset Value	Description
ES	2	ro	0x0	Reseverd, set = 0. (Endian Select)
CM	1:0	rw	0x0	Controller Mode is defaulted to the proper mode for host only and device only implementations. For those designs that contain both host & device capability (OTG), the Controller will default to an idle state and will need to be initialized to the desired operating mode after reset. For combination host/ device controllers, this register can only be written once after reset. If it is necessary to switch modes, software must reset the controller by writing to the RST bit in the USBCMD register before reprogramming this register.'00b' -> Idle (Default for combination host/device).'01b' -> Reserved.'10b' -> Controller in device mode (Default for device only controller).'11b' -> Controller in host mode (Default for host only controller).

### Register ([usb](#)) ENDPTSETUPSTAT

Name	ENDPTSETUPSTAT
Software Name	EPSTAT
Relative Address	0x000001AC
Absolute Address	usb0: 0xE00021AC usb1: 0xE00031AC
Width	16 bits
Access Type	wtc
Reset Value	0x00000000
Description	Endpoint Status Setup (Device mode)

#### Register ENDPTSETUPSTAT Details

Field Name	Bits	Type	Reset Value	Description
ENDPTSETUPSTAT	15:0	wtc	0x0	Setup Endpoint Status (Device mode). When a Setup transaction is received, the corresponding bit is set = 1. Software reads the setup data from the Queue Head and then writes a 1 to clear the status bit. Bit[0]: Endpoint 0. Bit[1]: Endpoint 1. ... Bit[12]: Endpoint 12. Other bits: reserved.

## Register ([usb](#)) ENDPTPRIME

Name	ENDPTPRIME
Software Name	EPPRIME
Relative Address	0x000001B0
Absolute Address	usb0: 0xE00021B0 usb1: 0xE00031B0
Width	32 bits
Access Type	wtc
Reset Value	0x00000000
Description	Endpoint Primer (Device mode)

### Register ENDPTPRIME Details

For each endpoint a corresponding bit is used to request that a buffer be prepared for an operation in order to respond to a USB transaction. Software

writes a 1 to the corresponding bit when posting a new transfer descriptor to an endpoint. Hardware will automatically use this bit to begin parsing for the new transfer descriptor. Hardware clears this bit when the associated endpoint(s) is (are) successfully primed.

Note: These bits will be momentarily set by hardware during hardware re-priming operations when a dTD is retired, and the dQH is updated.

Field Name	Bits	Type	Reset Value	Description
PETB	31:16	wtc	0x0	Prime Endpoint TxBuffer (Device mode). Write a 1 to the corresponding bit to request TxBuffer to respond to a USB IN/INTERRUPT transaction. Bit[16]: Endpoint 0. Bit[17]: Endpoint 1. ... Bit[28]: Endpoint 12. Bits[31:29]: reserved.
PERB	15:0	wtc	0x0	Prime Endpoint RxBuffer (Device mode). Write a 1 to the corresponding bit to request RxBuffer to respond to a USB OUT transaction. Bit[0]: Endpoint 0. Bit[1]: Endpoint 1. ... Bit[12]: Endpoint 12. Bits[15:13]: reserved.

## Register ([usb](#)) ENDPTFLUSH

Name	ENDPTFLUSH
Software Name	EPFLUSH
Relative Address	0x000001B4
Absolute Address	usb0: 0xE00021B4 usb1: 0xE00031B4
Width	32 bits
Access Type	wtc
Reset Value	0x00000000
Description	Endpoint Flush (Device mode)

### Register ENDPTFLUSH Details

The Flush operation of an endpoint will clear the usb.ENDPTSTAT bit and reset the RX/TX data buffer. Ready status of that endpoint and re-align the Latency Buffer pointers, but not clear the actual data that resides in the Latency Buffers.

Write a 1 to a bit(s) to cause the associated endpoint(s) to clear any primed buffers. If a packet is in progress for one of the associated endpoints, then that

transfer will continue until completion. Hardware will clear this register after the endpoint flush operation is successful.

Field Name	Bits	Type	Reset Value	Description
FETB	31:16	wtc	0x0	Flush Endpoint TxBuffer (Device mode). Write a 1 to the corresponding bit to flush the TxBuffer. Bit[16]: Endpoint 0. Bit[17]: Endpoint 1. ... Bit[28]: Endpoint 12. Bits[31:29]: reserved.
FERB	15:0	wtc	0x0	Flush Endpoint RxBuffer (Device mode). Write a 1 to the corresponding bit to flush the RxBuffer. Bit[0]: Endpoint 0. Bit[1]: Endpoint 1. ... Bit[12]: Endpoint 12. Bits[15:13]: reserved.

## Register ([usb](#)) ENDPTSTAT

Name	ENDPTSTAT
------	-----------

Software Name	EPRDY
Relative Address	0x000001B8
Absolute Address	usb0: 0xE00021B8 usb1: 0xE00031B8
Width	32 bits
Access Type	ro
Reset Value	0x00000000
Description	Endpoint Buffer Ready Status (Device mode), RO

### Register ENDPTSTAT Details

For each endpoint, there is one buffer ready status (ENDPTSTAT) bit for the TX buffer and one bit for RX buffer.

An ENDPTSTAT bit is set to a 1 by the hardware in a response to receiving an EP prime command (write 1 to usb.ENDPTPRIME register). There will always be a delay between writing a 1 to a usb.ENDPTPRIME register bit and the ENDPTSTAT bit asserting to indicate ready. This delay time varies based upon the current USB traffic and the number of bits in the usb.ENDPTPRIME register that transition from 0 to 1.

An ENDPTSTAT bit is cleared in one of three ways: by a USB reset, by the DMA engine hardware, or by a flush command using the usb.ENDPTFLUSH register.

Note: The ENDPTSTAT bit will be momentarily read = 0 during the time the hardware is retiring a dTD and updating the dQH transfer descriptors.

Field Name	Bits	Type	Reset Value	Description
ETBR	31:16	ro	0x0	TxBuffer ready status (Device mode), read-only. 0: cleared by reset, DMA, or ENDPTFLUSH. 1: ENDPTPRIME command received. Bit[16]: Endpoint 0. Bit[17]: Endpoint 1. ... Bit[28]: Endpoint 12. Bits[31:29]: reserved.
ERBR	15:0	ro	0x0	RxBuffer ready status (Device mode), read-only. 0: cleared by reset, DMA, or ENDPTFLUSH. 1: ENDPTPRIME command received. Bit[0]: Endpoint 0. Bit[1]: Endpoint 1. ... Bit[12]: Endpoint 12. Bits[15:13]: reserved.

### Register ([usb](#)) ENDPTCOMPLETE

Name ENDPTCOMPLETE

Software Name           EPCOMPL  
 Relative Address        0x000001BC  
 Absolute Address       usb0: 0xE00021BC  
                           usb1: 0xE00031BC  
 Width                    32 bits  
 Access Type             rw  
 Reset Value             0x00000000  
 Description             Endpoint Tx Complete (Device mode)

**Register ENDPTCOMPLETE Details**

Each bit indicates an event (Transmit/Receive) occurred and software should read the corresponding endpoint queue to determine the endpoint status. If the

corresponding IOC bit is set in the Transfer Descriptor, then this bit will be set simultaneously with the USBINT. Writing a 1 will clear the corresponding bit in this register.

Field Name	Bits	Type	Reset Value	Description
ETCE	31:16	rw	0x0	Endpoint Transmit Complete Event (Device mode), read-only. 0: not completed. 1: completed. Write a 1 to clear. Bit[16]: Endpoint 0. Bit[17]: Endpoint 1. ... Bit[28]: Endpoint 12. Bits[31:29]: reserved.
ERCE	15:0	rw	0x0	Endpoint Receive Complete Event (Device mode), read-only. 0: not completed. 1: completed. Write a 1 to clear. Bit[0]: Endpoint 0. Bit[1]: Endpoint 1. ... Bit[12]: Endpoint 12. Bits[15:13]: reserved.

**Register ([usb](#)) ENDPTCTRL0**

Name                    ENDPTCTRL0  
 Software Name         EPCR0  
 Relative Address       0x000001C0

Absolute Address	usb0: 0xE00021C0 usb1: 0xE00031C0
Width	24 bits
Access Type	mixed
Reset Value	0x00800080
Description	Endpoint 0 (Device mode)

### Register ENDPTCTRL0 Details

Every device controller implements Endpoint 0 as a control endpoint.

Rx and Tx Endpoint Stall bits [0] and [16]:

Software can write a one to a stall bit to force the endpoint to return a STALL handshake to the Host. The device controller will continue returning STALL until the bit is cleared by software or it will automatically be cleared upon receipt of a new SETUP request. After receiving a SETUP request, the stall bit will continue to be cleared by hardware until the associated ENDPTSETUPSTAT bit is cleared. Note: There is a slight delay (50 clocks max.) between the ENDPTSETUPSTAT being cleared and hardware continuing to clear this bit. In most systems it is unlikely the software will observe this delay. However, should the software observe that the stall bit is not set after writing a 1 to it then follow this procedure: continually write this stall bit until it is set or until a new SETUP has been received by checking the associated ENDPTSETUPSTAT bit.

Field Name	Bits	Type	Reset Value	Description
TXE (EPCR_TXE)	23	ro	0x1	Transmit Endpoint Enable, read-only. 1: EP 0 is always enabled.
reserved	22:20	ro	0x0	reserved
TXT (EPCR_TXT_INTR)	19:18	ro	0x0	TX Endpoint Type, read-only. 00: EP 0 is always a control endpoint.
reserved	17	ro	0x0	reserved
TXS (EPCR_TXS)	16	rw	0x0	TX Endpoint Stall, read-only. 0: Normal operation. 1: Force Stall handshake. Note: refer to the register description for more description.
reserved	15:8	ro	0x0	reserved
RXE (EPCR_RXE)	7	ro	0x1	RX Endpoint Enable, read-only. 1: EP 0 is always enabled.
reserved	6:4	ro	0x0	reserved
RXT (EPCR_RXT_INTR)	3:2	ro	0x0	RX Endpoint Type, read-only. 00: EP0 is always a control endpoint.

Field Name	Bits	Type	Reset Value	Description
reserved	1	ro	0x0	reserved
RXS (EPCR_RXS)	0	rw	0x0	RX Endpoint Stall. 0: Normal operation. 1: Force Stall handshake. Note: refer to the register description for more description.

### Register ([usb](#)) ENDPTCTRL1

Name	ENDPTCTRL1
Relative Address	0x000001C4
Absolute Address	usb0: 0xE00021C4 usb1: 0xE00031C4
Width	24 bits
Access Type	mixed
Reset Value	0x00000000
Description	Endpoints 1 to 11 (Device mode)

Note: This register is the first in an array of 11 identical registers listed in the table below. The details provided in this section apply to the entire array.

Name	Address
ENDPTCTRL1	0xe00021c4
ENDPTCTRL2	0xe00021c8
ENDPTCTRL3	0xe00021cc
ENDPTCTRL4	0xe00021d0
ENDPTCTRL5	0xe00021d4
ENDPTCTRL6	0xe00021d8
ENDPTCTRL7	0xe00021dc
ENDPTCTRL8	0xe00021e0
ENDPTCTRL9	0xe00021e4
ENDPTCTRL10	0xe00021e8
ENDPTCTRL11	0xe00021ec



Register ENDPTCTRL1 to ENDPTCTRL11 Details

Field Name	Bits	Type	Reset Value	Description
TXE	23	rw	0x0	TX Endpoint Enable. 0: disable. 1: enable. Enable an Endpoing after it has been configured.
TXR	22	rw	0x0	TX Data Toggle Reset. Write '1' will reset the PID sequence. Whenever a configuration event is received for this Endpoint, software must write a one to this bit in order to synchronize the data PID's between the host and device.
TXI	21	ro	0x0	TX Data Toggle Inhibit. (testing) 0: PID Sequencing enabled 1: PID Sequencing disabled
reserved	20	ro	0x0	reserved
TXT	19:18	rw	0x0	TX Endpoint Type control. 00: Control 01: Isochronous 10: Bulk 11: Interrupt
TXD	17	rw	0x0	TX Endpoint Data datapath. 0: dual-port memory buffer with a DMA Engine. Always write a 0.
TXS	16	rw	0x0	TX Endpoint Stall. 0: Normal operation. 1: Force Stall handshake. Note: refer to the ENDPTCTRL 0 register description for more description.
reserved	15:8	ro	0x0	reserved
RXE	7	rw	0x0	RX Endpoint Enable 0: Disable 1: Enable Enable an Endpoing after it has been configured.
RXR	6	rw	0x0	RX Data Toggle Reset. Write '1' will reset the PID sequence. Whenever a configuration event is received for this Endpoint, software must write a one to this bit in order to synchronize the data PID's between the host and device.
RXI	5	rw	0x0	RX Data Toggle Inhibit. 0: PID Sequencing enabled 1: PID Sequencing disabled

Field Name	Bits	Type	Reset Value	Description
reserved	4	rw	0x0	reserved
RXT	3:2	rw	0x0	RX Endpoint Type. 00: Control 01: Isochronous 10: Bulk 11: Interrupt
RXD	1	rw	0x0	RX Endpoint Data datapath. 0: dual-port memory buffer with a DMA Engine. Always write a 0.
RXS	0	rw	0x0	RX Endpoint Stall. 0: Normal operation. 1: Force Stall handshake. Note: refer to the ENDPTCTRL 0 register description for more description.

### Access Types Legend

Access Type	Description
clonrd	Readable, clears value on read
clonwr	Readable, clears value on write
nsnsro	During non-secure access, if thread is non-secure, it is read only
nsnsrw	During non-secure access, if thread is non-secure, it is read write
nsnswo	During non-secure access, if thread is non-secure, it is write only
nssraz	During non-secure access, if thread is secure, it is read as zero
raz	Read as zero
ro	Read-only
rs	w: no effect, r: sets all bits
rud	Read undefined
rw	Normal read/write
rwso	Read/write, set only
sro	During secure access, it is read only
srw	During secure access, it is read write
swo	During secure access, it is write only
w0c	w: 1/0 no effect on/clears matching bit, r: no effect
w0crs	w: 1/0 no effect on/clears matching bit, r: sets all bits
w0s	w: 1/0 no effect on/sets matching bit, r: no effect

Access Type	Description
w0src	w: 1/0 no effect on/sets matching bit, r: clears all bits
w0t	w: 1/0 no effect on/toggles matching bit, r: no effect
w1	w: first one after ~hard~ reset is as-is, other w have no effects, r: no effect
w1crs	w: 1/0 clears/no effect on matching bit, r: sets all bits
w1src	w: 1/0 sets/no effect on matching bit, r: clears all bits
w1t	w: 1/0 toggles/no effect on matching bit, r: no effect
waz	Write as zero
wcrs	w: clears all bits, r: sets all bits
wo	Write-only
wo1	w: first one after ~hard~ reset is as-is, other w have no effects, r: error
woc	w: clears all bits, r: error
wos	w: sets all bits, r: error
wrc	w: as-is, r: clears all bits
wrs	w: as-is, r: sets all bits
ws	w: sets all bits, r: no effect
wsrc	w: sets all bits, r: clears all bits
wtc	Readable, write a 1 to clear
z	Access (read or write) as zero