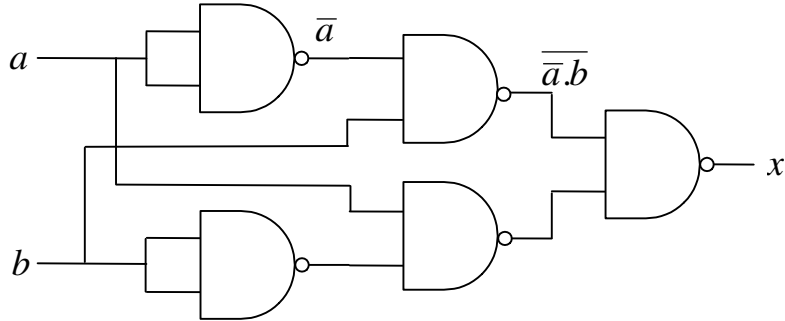


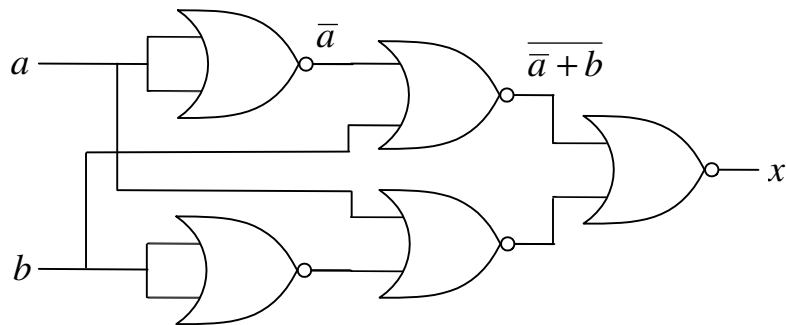
# IA – Digital Electronics

## Examples Paper

1. Complete the truth tables for the following digital logic circuits.



$a$	$b$	$\bar{a}$	$\bar{a}.b$		$x$
0	0				
0	1				
1	0				
1	1				



$a$	$b$	$\bar{a}$	$\bar{a} + b$		$x$
0	0				
0	1				
1	0				
1	1				

2. Use Boolean algebra to prove the following identities:

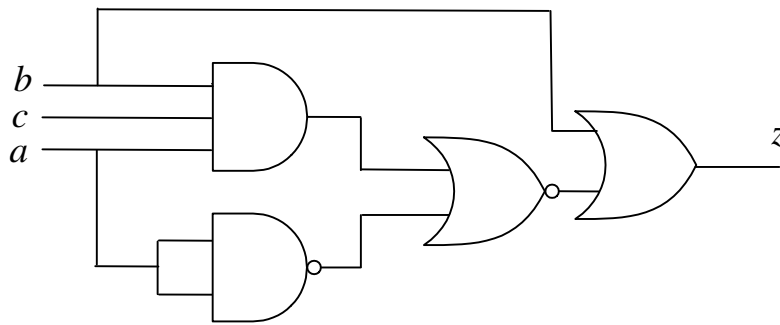
$$a.b.c + a.b.\bar{c} = a.b$$

$$a.(\bar{a} + b) = a.b$$

$$a.b + \bar{a}.c = (a + c).(\bar{a} + b)$$

$$(a + c).(a + d).(b + c).(b + d) = a.b + c.d$$

3. The following circuit does not make efficient use of logic gates. Write a Boolean expression for  $z$ , and hence show how  $z$  can be realised more efficiently.



4. A logic 'voter' circuit has 4 inputs  $a, b, c, d$  and one output  $v$ . The output is to be logic 1 if any 3 or all 4 inputs are at logic 1. Design a circuit using AND and OR gates to satisfy this requirement.

5. Devise circuits to solve question 4 if

- (a) NAND gates only;  
 (b) NOR gates only are to be used.

6. Using a Karnaugh map, write simplified sum of products expressions for  $f$  and  $\bar{f}$  where,

$$f = \bar{a}.d + \bar{b}.c + \bar{a}.b.c.d$$

and  $a.\bar{b}.c.\bar{d}$  is a don't care state.

7. A three variable function is given by:

$$f = a.\bar{b}.\bar{c} + a.\bar{b}.c + a.b.c$$

Find the simplest sum of products form for  $f$  using a Karnaugh map. Express  $f$  using:

- (a) NAND gates only;  
 (b) NOR gates only. (Hint: try mapping  $\bar{f}$  for fewest gates)

8. The function  $f$  in question 7 can be written in the form:

$$f = 100 + 101 + 111 = \sum(4,5,7)$$

Find the simplified sum of products and product of sums forms for the four variable function  $g$  where:

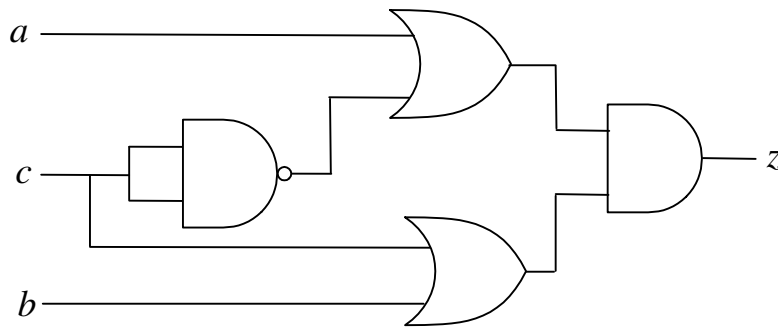
$$g = \sum(5,6,7,8)$$

and terms 10 to 15 inclusive are don't care states. Take  $abcd$  to be the four variables, with  $a$  the most significant.

9. The months of the year are coded in binary with January represented by  $A_3, A_2, A_1, A_0 = (0001)$  and December by  $(1100)$ . Find a simplified sum of products expression in terms of  $A_3, A_2, A_1, A_0$  for the months without an r in their name.

Show that a simpler expression is obtained by changing the coding so January is represented by  $(0000)$  and December by  $(1011)$ .

10. Each gate in the following circuit has a propagation delay of  $\tau$ .



(a) Draw a timing diagram showing the output of each gate for  $a = b = 0$ ; and  $c$  initially 0, switching to 1 for a time  $t$  ( $t \gg \tau$ ), and then returning to 0. Hence show that a static hazard exists. Is it a static 1 or static 0 hazard?

(b) Write down a product of sums expression for  $z$  from the circuit and use de Morgan's theorem to obtain a sum of products expression for  $\bar{z}$ .

(c) Draw a Karnaugh map for  $\bar{z}$  and thus show how the hazard can be removed by adding one more OR gate to the circuit.

11. (a) Calculate the 2's complement 8-bit signed binary representation of the decimal numbers  $-38$  and  $100$ . Show that the bit pattern for  $-38$  may be added to that for  $100$  effectively forming  $(100-38)$ , and the 'right' answer interpreted if we ignore the extra 9th bit. Convert the 8-bit binary answer to decimal and hexadecimal.

(b) Write out the following hexadecimal sequence in binary (4-bit words).

2, 6, 7, 5, 4, C, D, F, E, A

Observe that only one bit changes at each step along the sequence. Show how this unit-distance sequence can be represented as a path around a 4 by 4 Karnaugh map.

12. A logic circuit has 4 inputs and 4 outputs. The four inputs  $A_1, A_0$  and  $B_1, B_0$  represent two unsigned 2-bit numbers. The outputs are the four bits of the product of the input numbers.

Express the logic functions for each term  $P_3, P_2, P_1, P_0$  in the product on a Karnaugh map of the four input variables.

Hence design a multiplier circuit using 4-input NAND and inverter gates only.

13. The input to the first stage of a five-stage shift register is obtained from the exclusive-OR function of the outputs of the 3rd and 5th stages. Consider at the start that all 5 stages have a 1 output that shifts to the right on the application of each clock pulse. What is the output sequence expressed as a decimal number, taking the right (5th) stage as the least significant bit? After how many clock pulses does it repeat?

What happens if all 5 stages have 0 set on them at the start?

14. The six states of a divide-by-six counter using 3 D-Type FFs are given in the following table and use the natural binary count. Determine the next state logic for the 3 FF inputs.

FF outputs		
<i>C</i>	<i>B</i>	<i>A</i>
0	0	0
0	0	1
0	1	0
0	1	1
1	0	0
1	0	1

15. Design a divide-by-four synchronous counter that will count up (natural binary, i.e., 00, 01, 10, 11, etc.) when an input  $Z = 0$ , and that will count down (natural binary) when  $Z = 1$ . Use two D-type FFs.

16. Draw the state diagram only for a system with a single input  $Y$ , connected to a line carrying serial digital data on which it is desired to detect a sequence  $Y = 0010$ . The sequence 00100010 should give an output twice at the instants underlined.

17. Gray codes have a sequence where only one bit changes at any one time. A two-bit Gray code is 00, 01, 11, 10, 00, ..... Design a machine using D-Type FFs to generate this Gray code sequence.

18. Use the two-bit Gray code machine you designed in question 17 as the basis for generating the traffic light sequence, Red, Red and Amber, Green, Amber, Red, .....

19. The n-MOS FET with the characteristics shown in Fig. 1(b) is used to implement the inverter circuit shown in Fig. 1(a).

- (a) Draw a load line (i.e., resistor characteristic) on Fig. 1(b) and determine the output voltage  $V_o$ , corresponding to input voltages  $V_i$ , of 0V and 10V.
- (b) Calculate the power dissipated in the  $500\Omega$  resistor and the transistor for each input voltage.

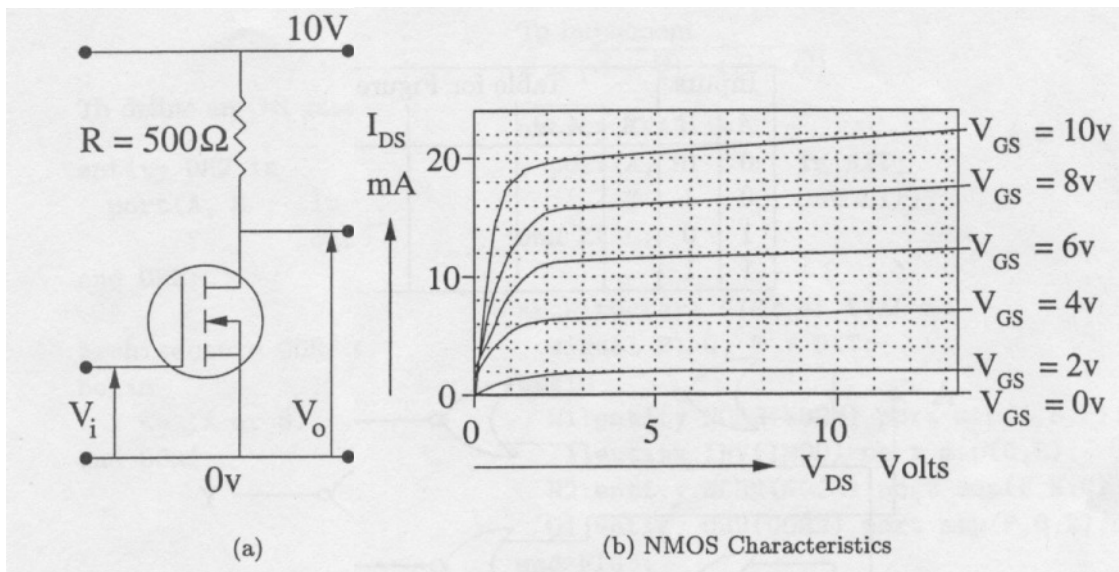


Figure 1: